

ROVER AUSTRALIA PARTS BOOK FOR AUSTRALIAN ARMY LAND ROVER 4x4 VEHICLES COMBINED PARTS LIST

Copyright of this document is retained by Land Rover Australia. The document dated 1999 contains the parts utilised on the vehicles at that point in time. Some parts may have been superseded or changed since that time.

This document has been download from the Registry of Ex Military Land Rovers at <http://www.remlr.com> . All files available from this site are free of charge.

If you have paid for this document please report where you purchased it from to the Registry of Ex Military Land Rovers Inc.

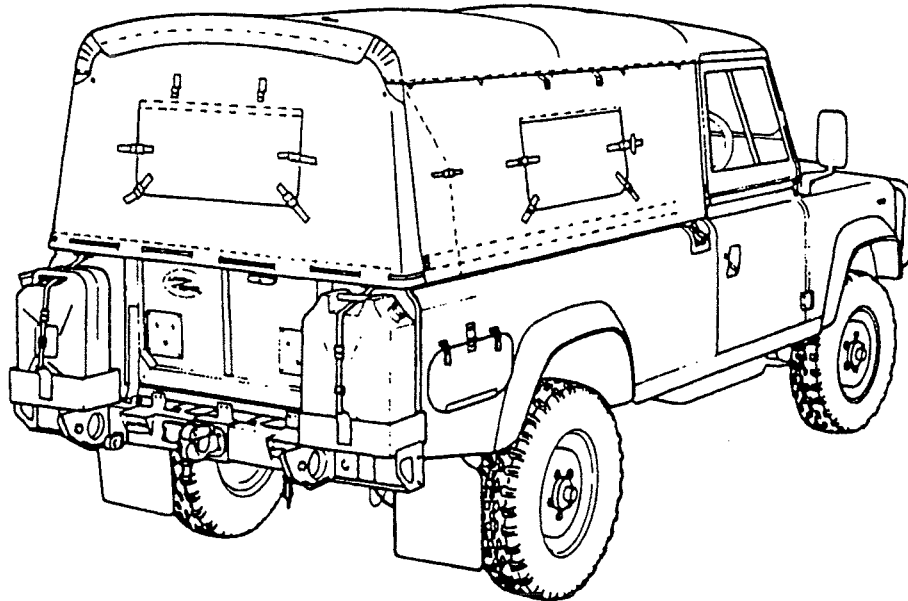
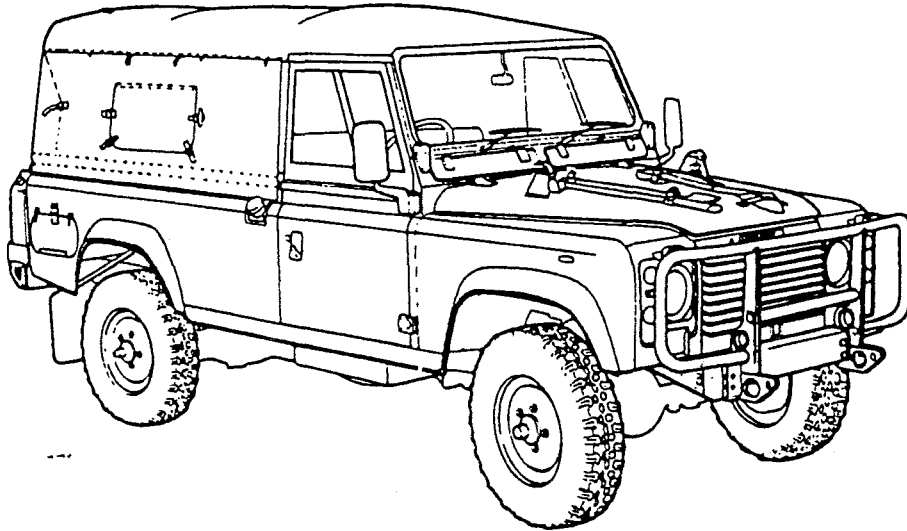


ROVER AUSTRALIA

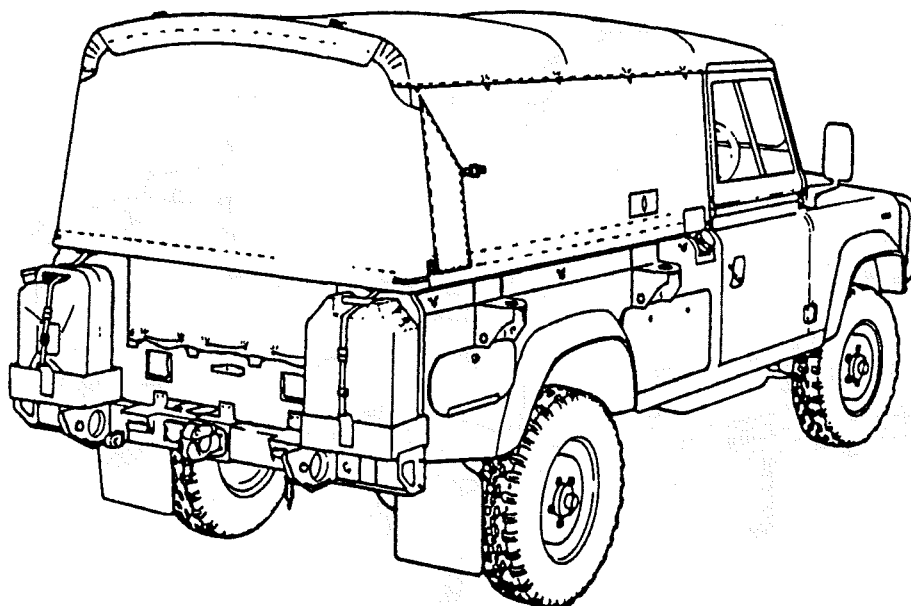
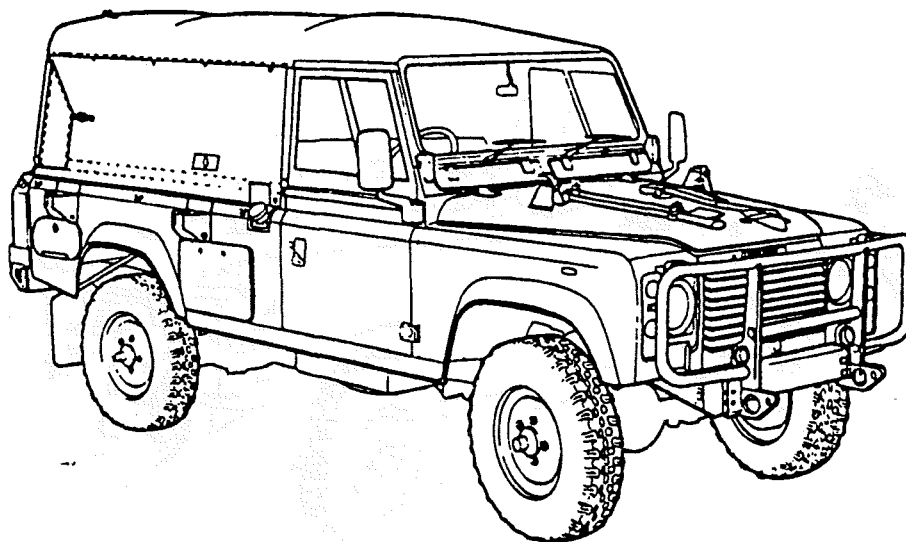


ROVER

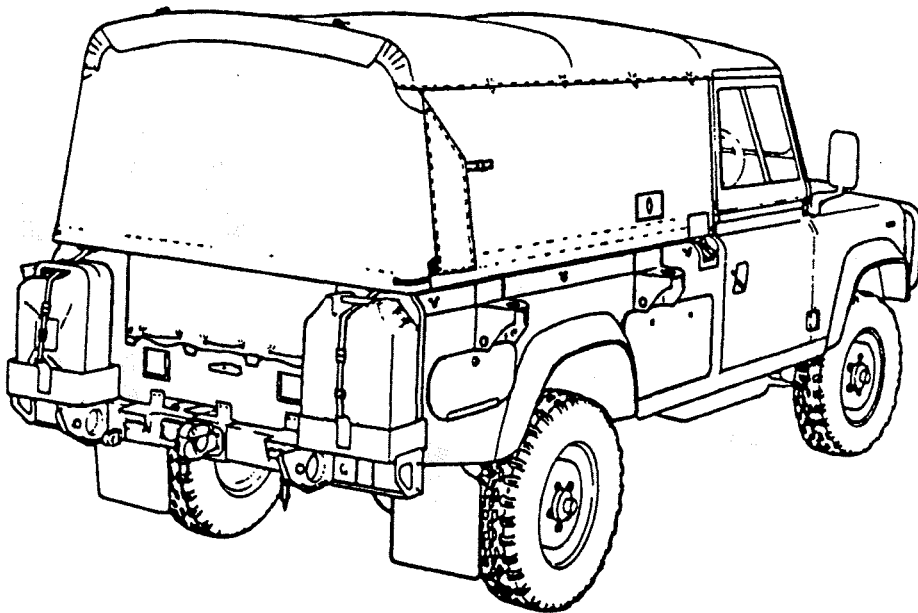
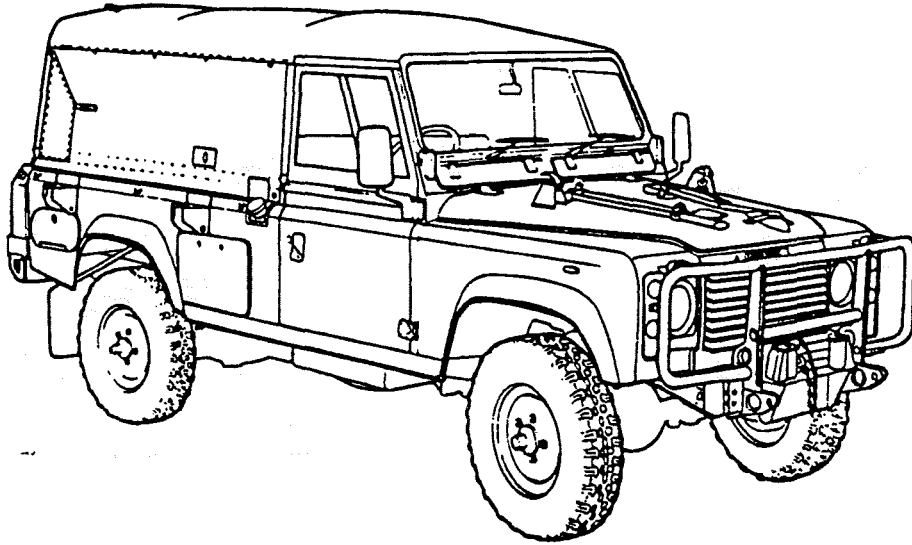
ROVER AUSTRALIA PARTS AUSTRALIAN ARMY 4x4 VEHICLES COMBINED PARTS LIST



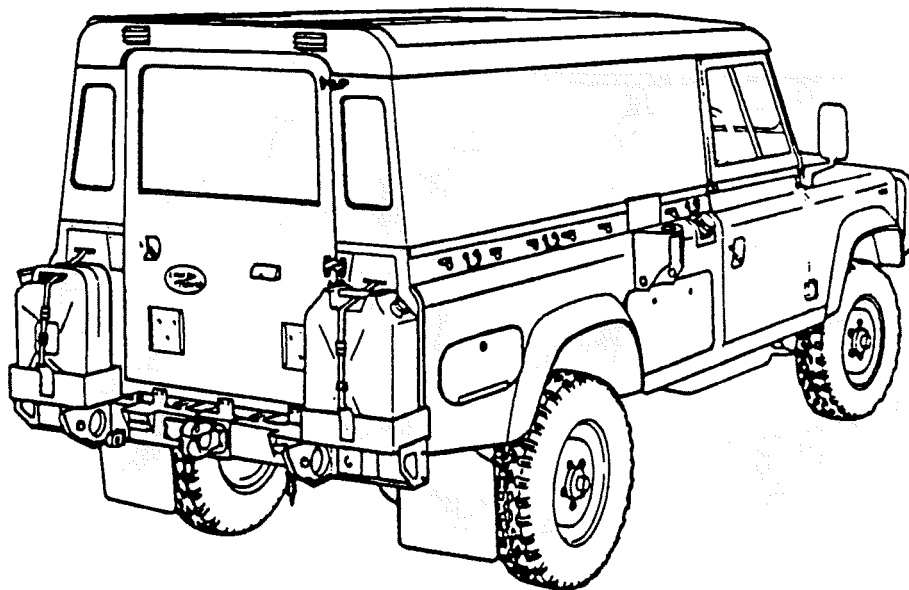
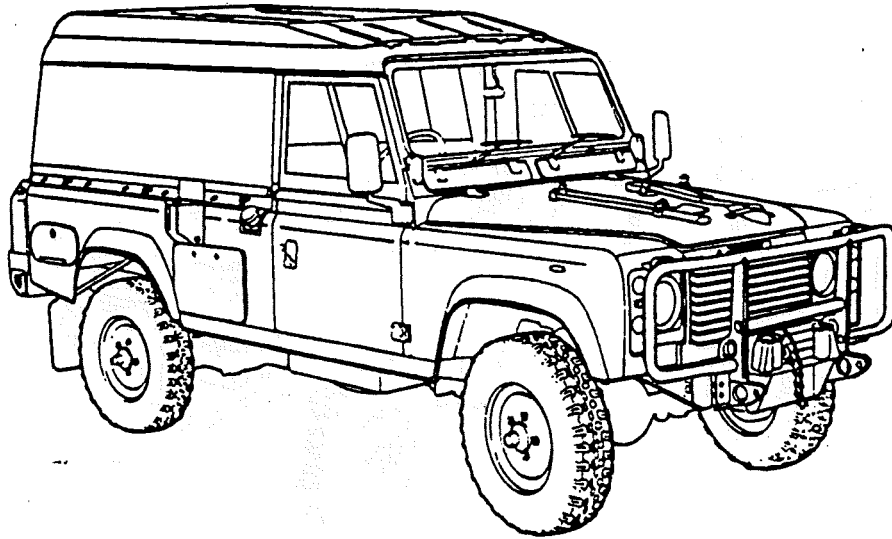
4X4 SOFT TOP CARGO



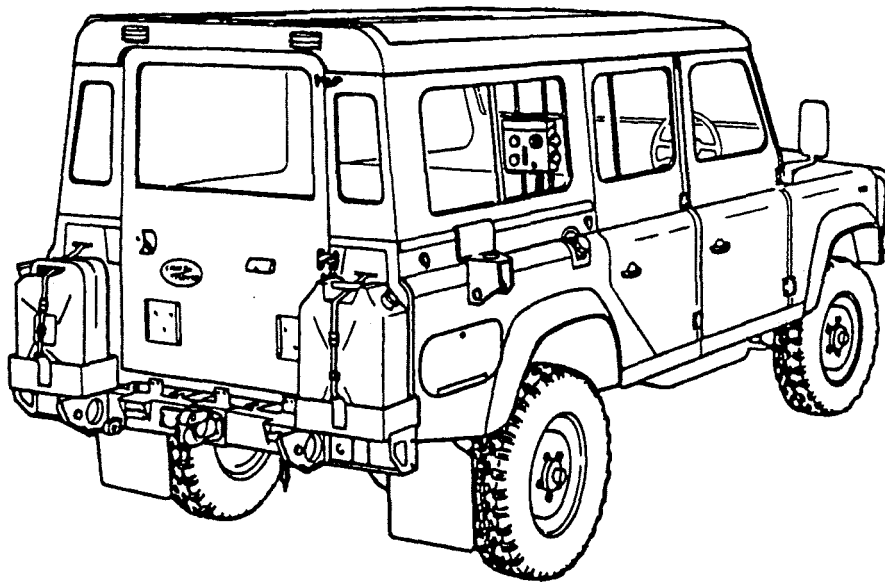
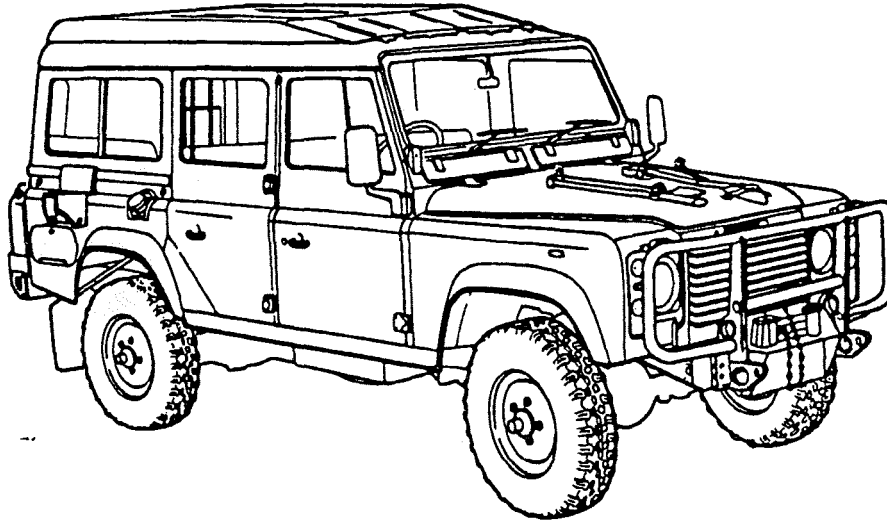
4X4 SOFT TOP CARGO – FFR



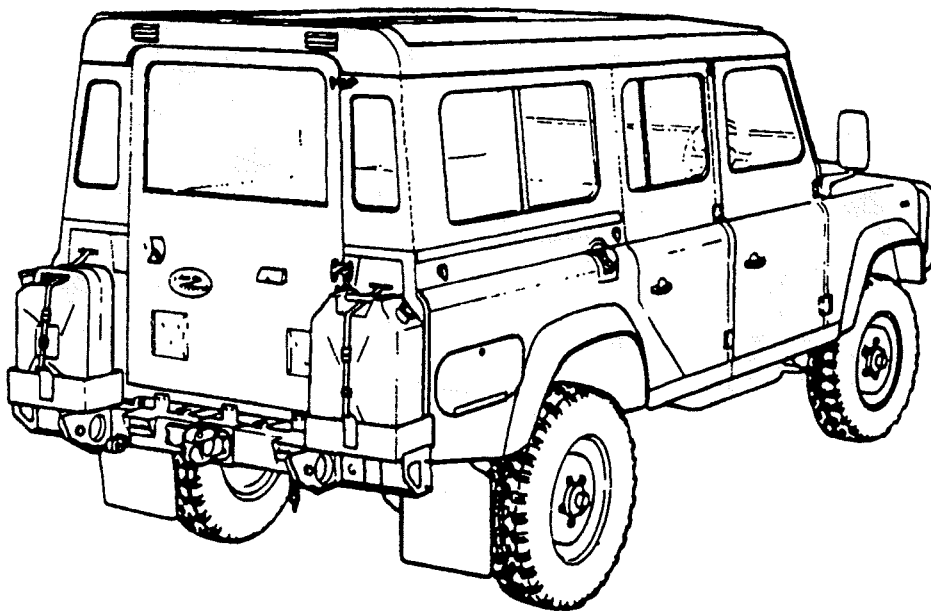
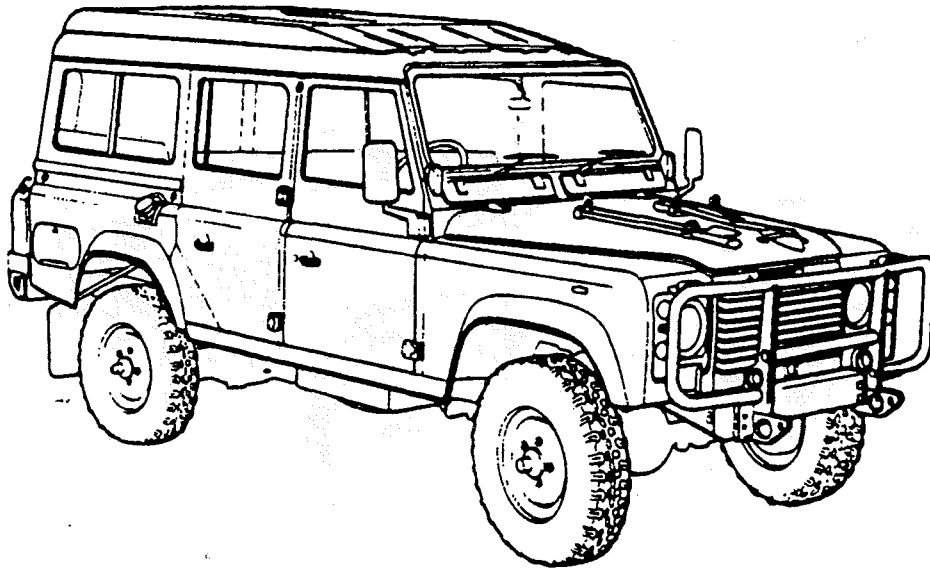
**4X4 SOFT TOP CARGO – FFR
WITH WINCH**



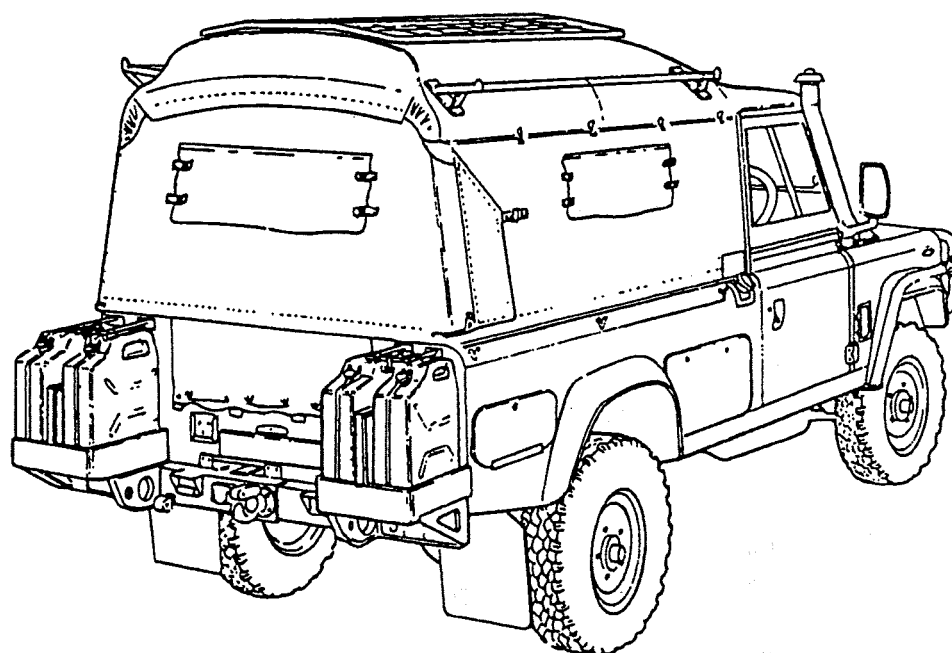
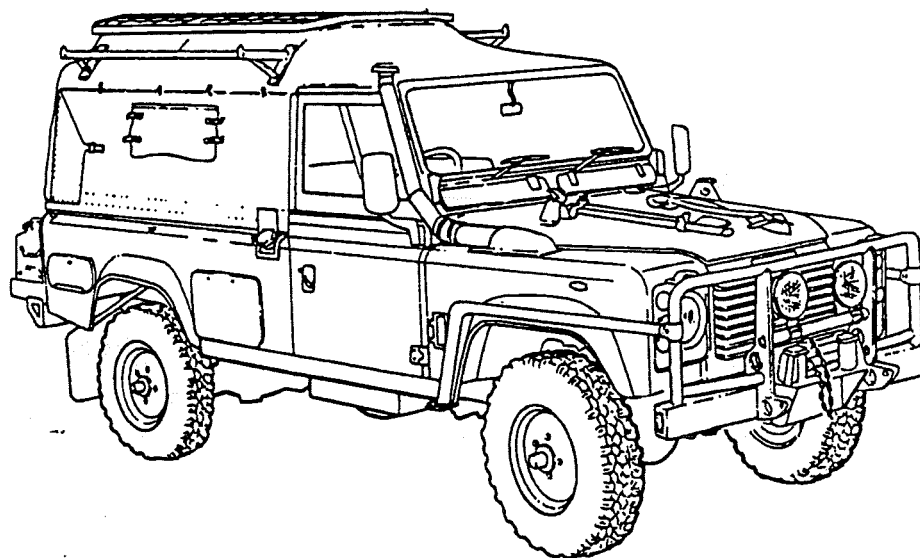
**4X4 HARD TOP SURVEY – FFR
WITH WINCH**



**4X4 SENIOR COMMANDER VEHICLE – FFR
WITH WINCH**

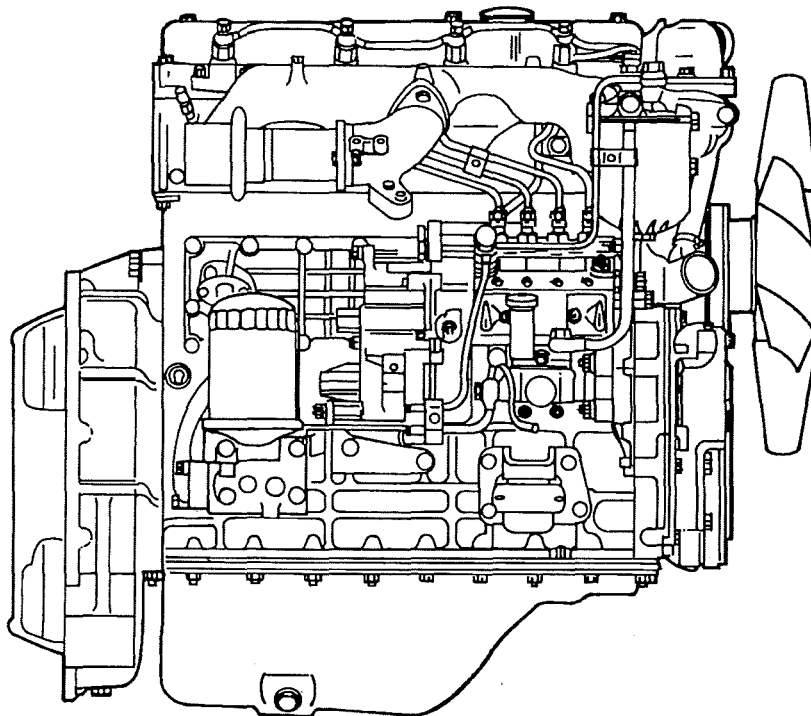
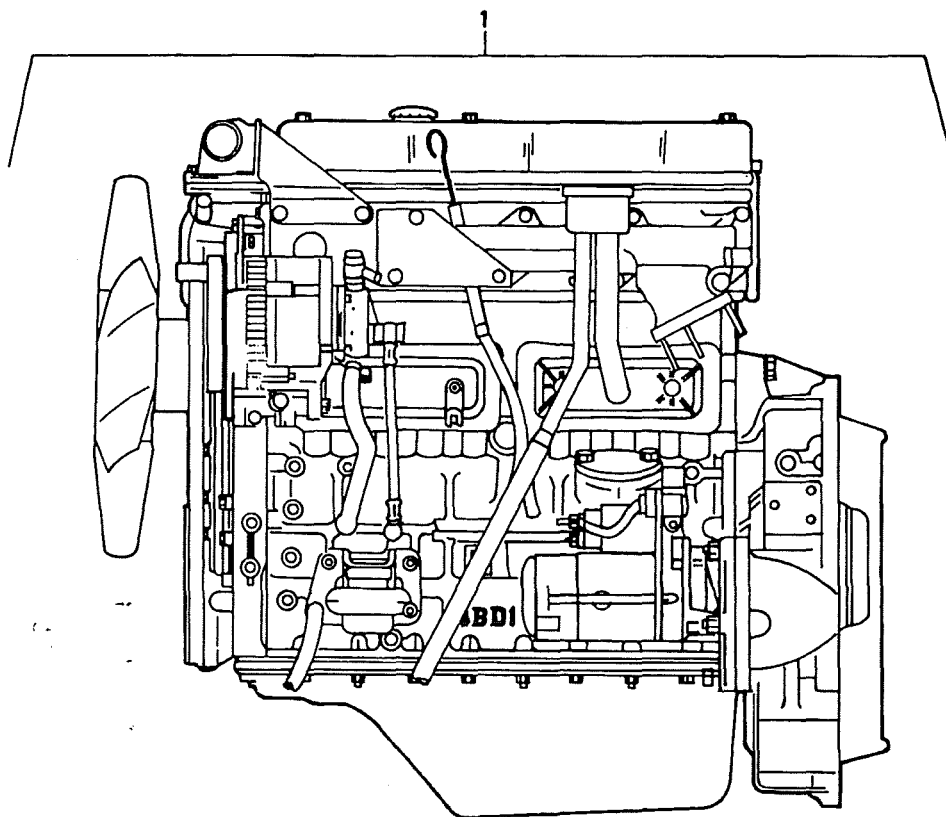


4X4 PERSONELL CARRIER



**4X4 REGIONAL FORCES SURVEILLANCE VEHICLE
WITH WINCH**

GROUP A



ENGINE ASSEMBLY

PERENTIE LAND ROVER PARTS LIST

A /1/1

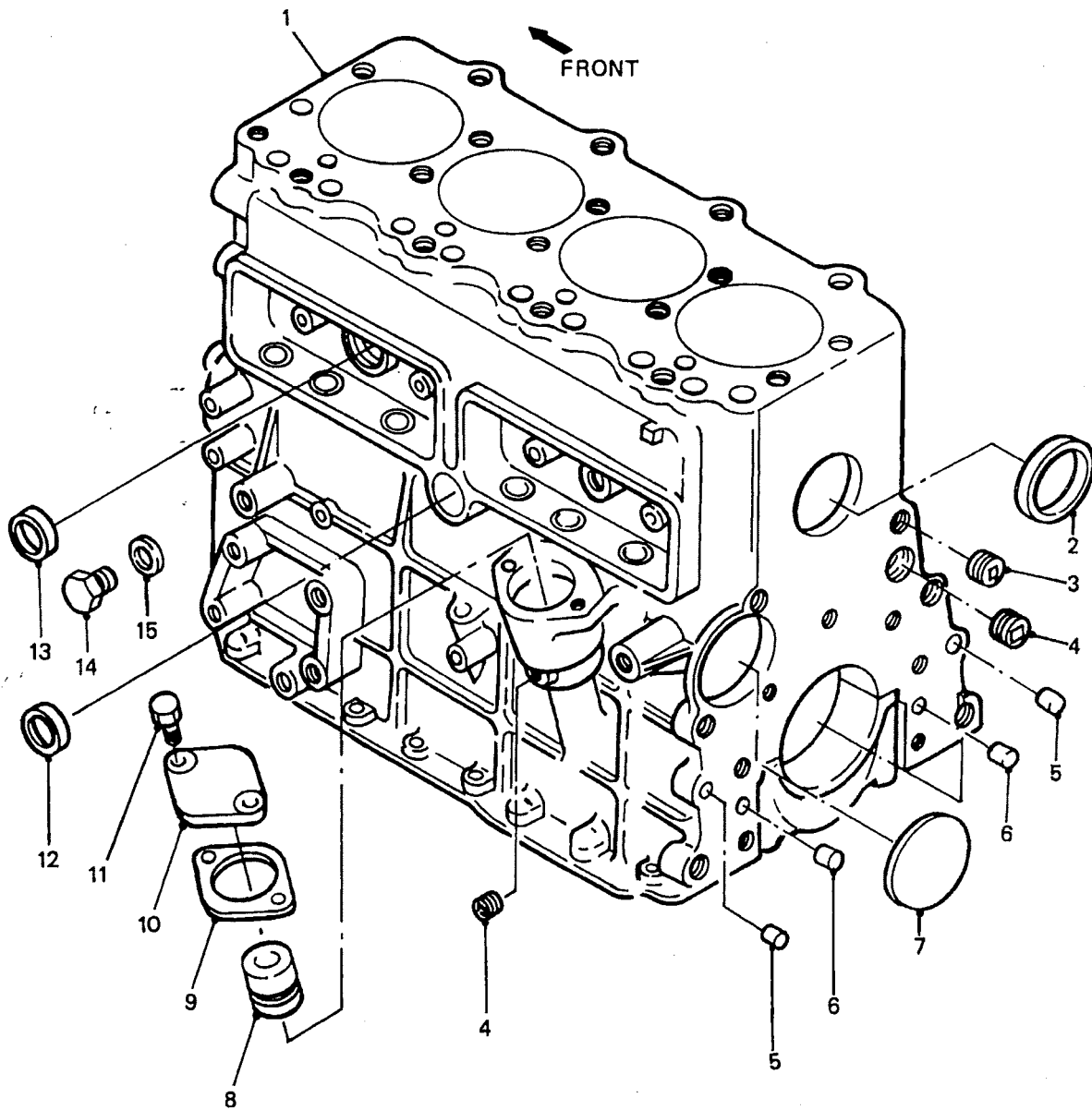
ENGINE ASSEMBLY

<u>ITEM</u>	<u>PART NO.</u>	<u>DESCRIPTION</u>	<u>NSN</u>	<u>DERIVATIVE CODE</u>								<u>CP</u>
				<u>2188</u>	<u>2189</u>	<u>2190</u>	<u>2191</u>	<u>2192</u>	<u>2194</u>	<u>2195</u>	<u>2207</u>	
1	AYG454	ENGINE ASSEMBY-COMPLETE	2815-66-128-4232	1	1	1	1	1	1	1	1	1

CHANGE POINT

ARN INTRODUCTION

GROUP AA SHEET 1



**CRANKCASE AND FITTINGS
LH SIDE AND REAR**

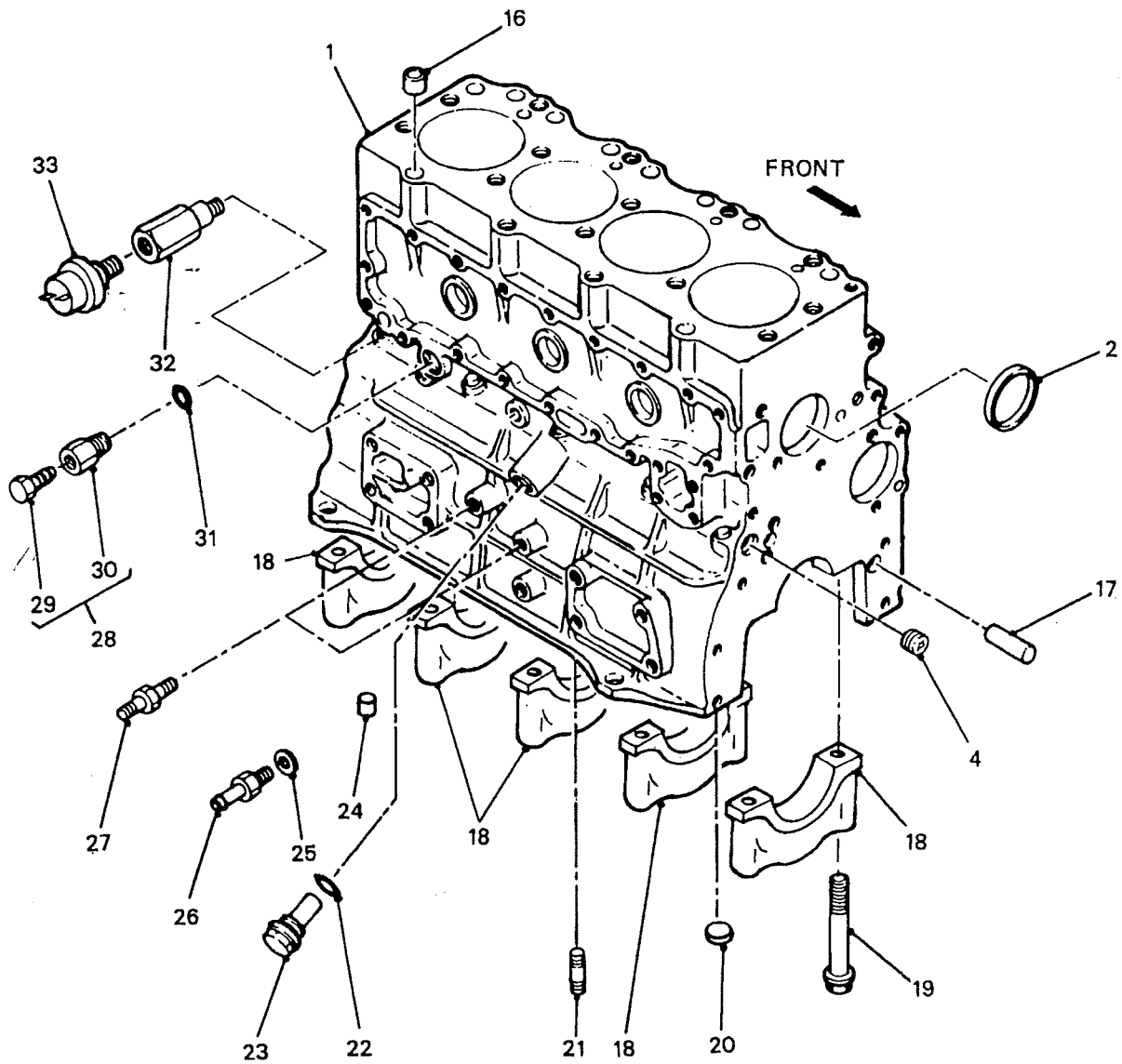
PERENTIE LAND ROVER PARTS LIST

ITEM	AA /1/1 PART NO.	CRANKCASE AND FITTINGS - LH SIDE AND REAR DESCRIPTION	NSN	DERIVATIVE CODE								
				2188	2189	2190	2191	2192	2194	2195	2207	CP
1	8941303284	BLOCK-CYLINDER		1	1	1	1	1	1	1	1	1
2	1096000520	CUP-SEALING	5340-66-128-4960	2	2	2	2	2	2	2	2	2
3	1096050680	PLUG-REAR		2	2	2	2	2	2	2	2	2
4	5096050192	PLUG-TAPER		6	6	6	6	6	6	6	6	6
5	9081510180	PIN-GEAR-CASE		2	2	2	2	2	2	2	2	2
6	9081508160	PIN-LOCATING		2	2	2	2	2	2	2	2	2
7	9098600190	PLUG-CAMSHAFT HOLE		1	1	1	1	1	1	1	1	1
8	5112240040	BUSH-OIL PUMP DRIVE		1	1	1	1	1	1	1	1	1
9	9099206470	O. RING-COVER PLATE TO CYL. BLOCK	5330-66-128-5401	1	1	1	1	1	1	1	1	1
10	8942549200	PLATE-COVER		1	1	1	1	1	1	1	1	1
11	0500408160	BOLT-COVER PLATE	5306-66-128-4959	2	2	2	2	2	2	2	2	2
12	5112190140	PLUG-WELSH		1	1	1	1	1	1	1	1	1
13	1096000520	CUP-SEALING (ALSO PART AA001)	5340-66-128-4960	1	1	1	1	1	1	1	1	1
13	1096000121	PLUG	5340-66-128-4961	2	2	2	2	2	2	2	2	2
14	SH214251	SCREW	5305-66-128-5276	1	1	1	1	1	1	1	1	1
15	AYG33	WASHER-COPPER	5310-66-128-5277	1	1	1	1	1	1	1	1	1

CHANGE POINT

ARN INTRODUCTION

GROUP AA SHEET 2



**CRANKCASE AND FITTINGS
RH SIDE AND FRONT**

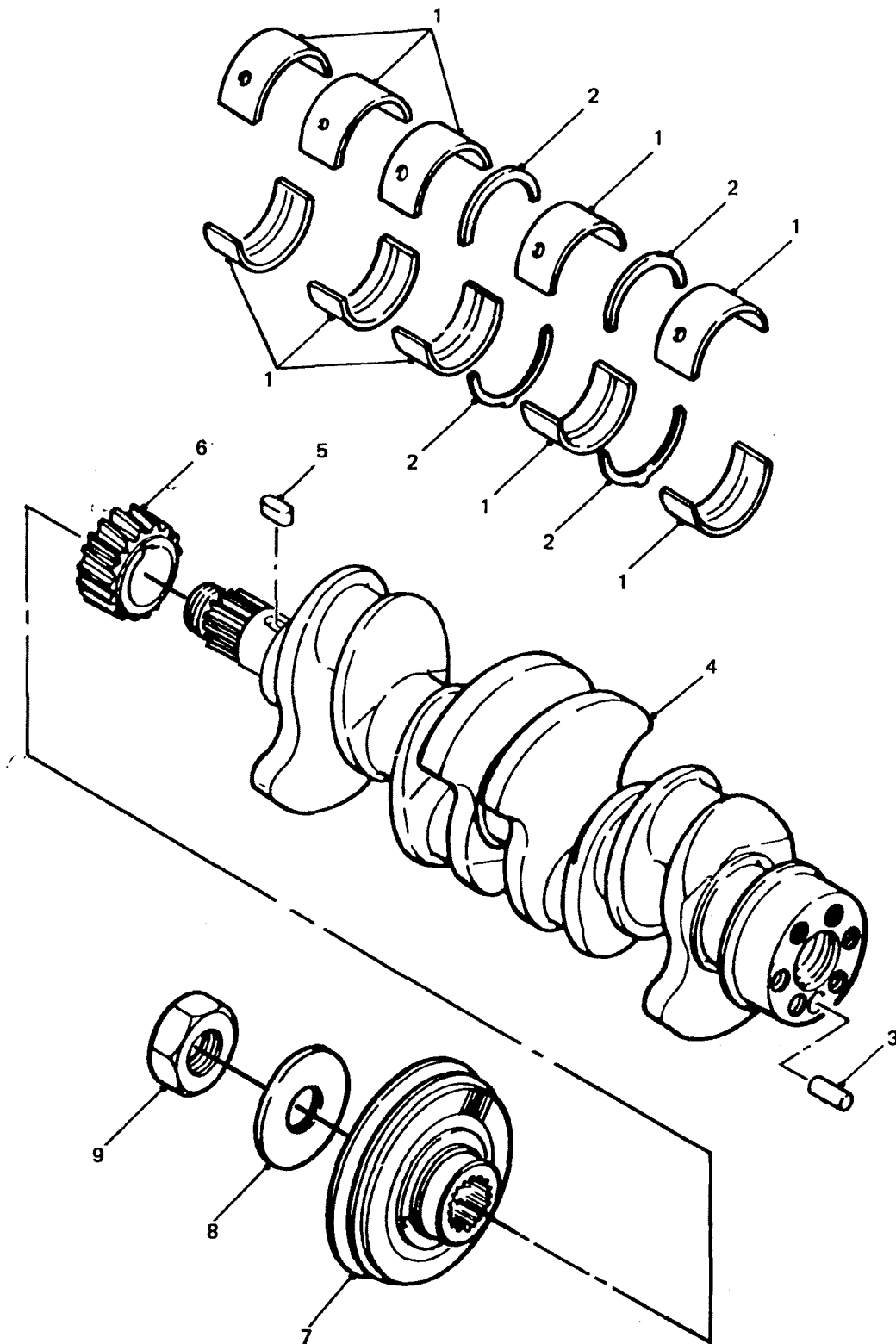
PERENTIE LAND ROVER PARTS LIST

ITEM	AA /1/2 PART NO.	CRANKCASE AND FITTINGS - RH SIDE AND FRONT DESCRIPTION	NSN	DERIVATIVE CODE								CP
				2188	2189	2190	2191	2192	2194	2195	2207	
1	8941303284	BLOCK-CYLINDER		1	1	1	1	1	1	1	1	1
2	1096000520	CUP-SEALING	5340-66-128-4960	2	2	2	2	2	2	2	2	2
4	5096050192	PLUG-TAPER		6	6	6	6	6	6	6	6	6
16	9112298010	DOWEL		2	2	2	2	2	2	2	2	2
17	9081510500	PIN		1	1	1	1	1	1	1	1	1
18	NSS											
19	1090004691	BOLT-BEARING CAP		10	10	10	10	10	10	10	10	10
20	9992055170	PLUG-TAPER		1	1	1	1	1	1	1	1	1
21	1093000530	STUD-RH MOUNT BRACKET TO CYL. BLOCK		1	1	1	1	1	1	1	1	1
22	5096230350	O.RING-RELIEF VALVE	5310-66-128-4972	1	1	1	1	1	1	1	1	1
23	8970233390	VALVE-RELIEF	4820-66-128-4896	1	1	1	1	1	1	1	1	1
24	8943996880	DOWEL-CAP		2	2	2	2	2	2	2	2	2
25	9095716140	WASHER	5310-66-128-4372	1	1	1	1	1	1	1	1	1
26	8941472380	DRAIN COCK (INCL ITEMS 29 - 30)	2910-66-128-4665	1	1	1	1	1	1	1	1	1
27	9098090980	PLUG		1	1	1	1	1	1	1	1	1
28	8941473180	NIPPLE-DRAIN		1	1	1	1	1	1	1	1	1
30	8941780031	SWITCH-PRESSURE -REVERSE LAMPS	5930-66-128-4812	1	1	1	1	1	1	1	1	1
31	MYH3318	ADAPTOR-PRESSURE SWITCHES TO CYL. BLOCK	5340-66-128-4981	1	1	1	1	1	1	1	1	1
29	1096301150	WASHER	5330-66-128-4486	1	1	1	1	1	1	1	1	1
32	9827202092	SWITCH-PRESSURE-OIL -ENGINE	5930-66-128-5402	1	1	1	1	1	1	1	1	1

CHANGE POINT

ARN INTRODUCTION

GROUP AAA



CRANKSHAFT, BEARINGS AND PULLEY

PERENTIE LAND ROVER PARTS LIST

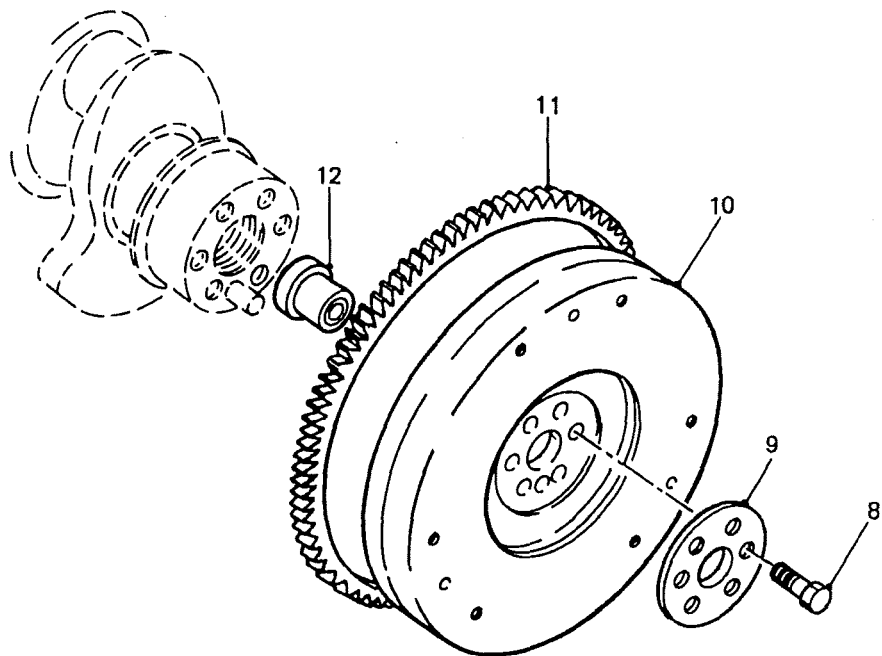
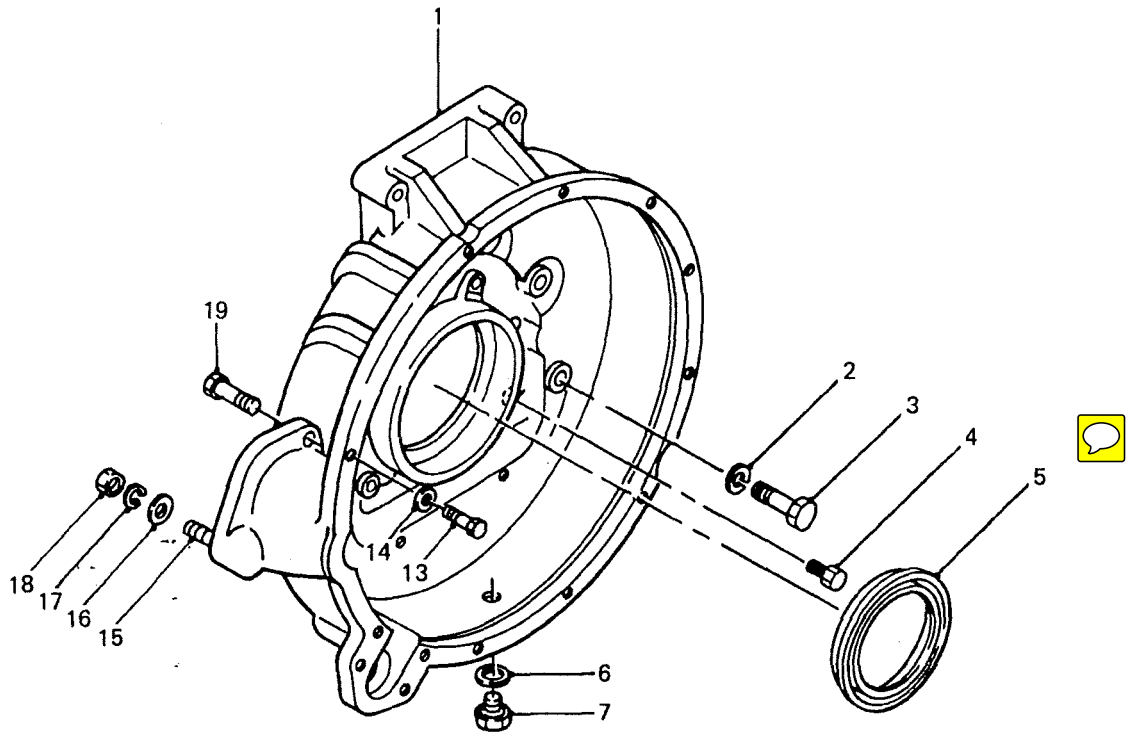
AAA/1/1 CRANKSHAFT, BEARINGS AND PULLEY

<u>ITEM</u>	<u>PART NO.</u>	<u>DESCRIPTION</u>	<u>NSN</u>	<u>DERIVATIVE CODE</u>							<u>CP</u>
				<u>2188</u>	<u>2189</u>	<u>2190</u>	<u>2191</u>	<u>2192</u>	<u>2194</u>	<u>2195</u>	
1	8941170321	MAIN BEARING KIT		1	1	1	1	1	1	1	1
2	8941145652	THRUST WASHER SET		2	2	2	2	2	2	2	2
3	9081612200	PIN-LOCATING (PART OF ITEM 4)		1	1	1	1	1	1	1	1
4	5123101631	CRANKSHAFT		1	1	1	1	1	1	1	1
5	8941075970	KEY		2	2	2	2	2	2	2	2
6	1125210080	GEAR-CRANKSHAFT		1	1	1	1	1	1	1	1
7	8941004540	PULLEY-CRANKSHAFT	3020-66-128-4564	1	1	1	1	1	1	1	1
8	5095030240	WASHER		1	1	1	1	1	1	1	1
9	5123780020	NUT		1	1	1	1	1	1	1	1

CHANGE POINT

ARN INTRODUCTION

GROUP AAB



FLYWHEEL, HOUSING AND RING GEAR

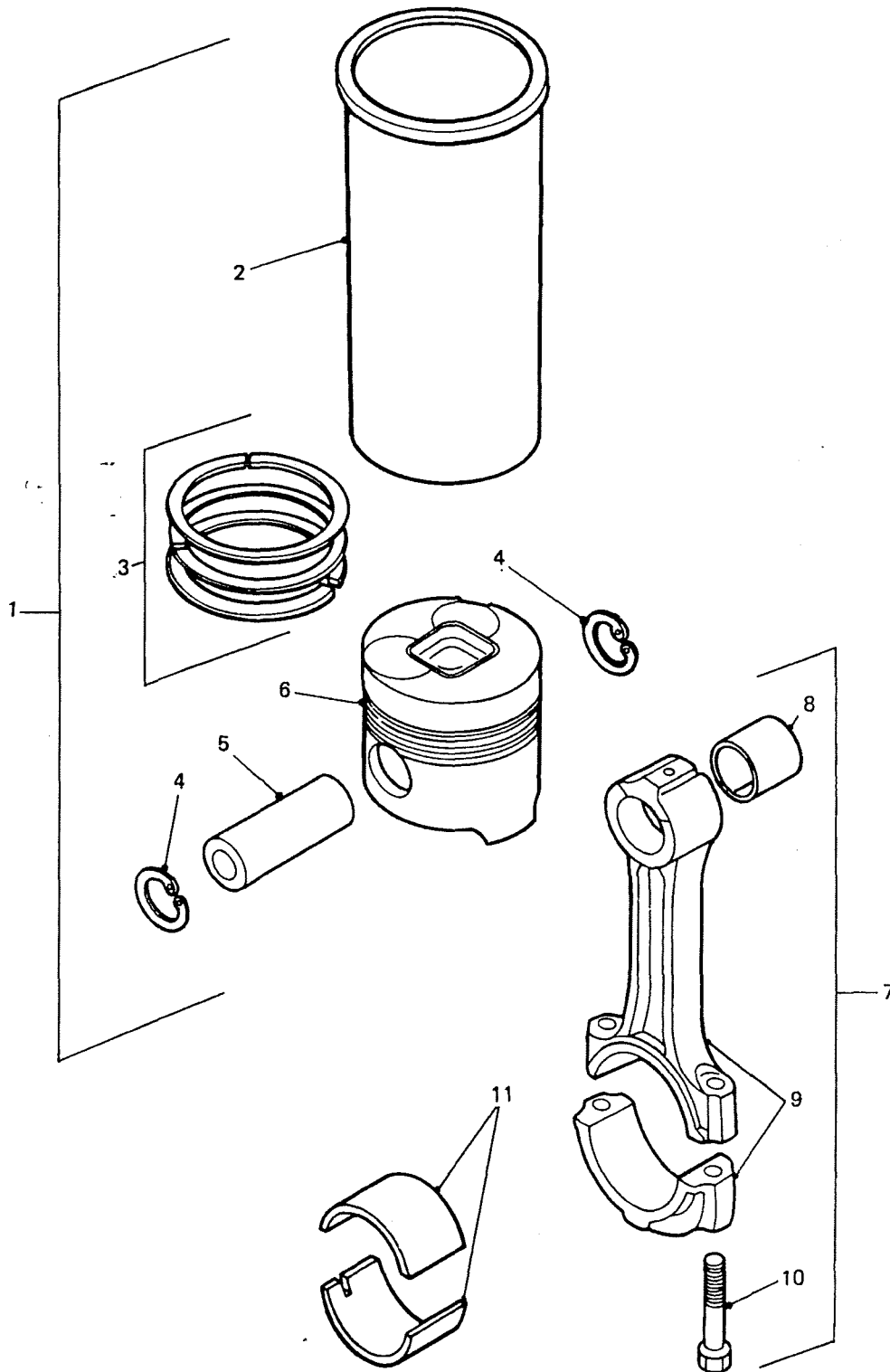
PERENTIE LAND ROVER PARTS LIST

ITEM	AAB/1/1 PART NO.	FLYWHEEL, HOUSING AND RING GEAR DESCRIPTION	NSN	DERIVATIVE CODE							
				2188	2189	2190	2191	2192	2194	2195	2207 CP
1	8944419332	HOUSING-FLYWHEEL	2815-66-128-4374	1	1	1	1	1	1	1	1
2	9091505140	WASHER-LOCK	5310-66-128-4386	8	8	8	8	8	8	8	8
3	9910564650	BOLT	5306-66-128-4383	2	2	2	2	2	2	2	2
3	8943413750	BOLT	5306-66-128-4384	4	4	4	4	4	4	4	4
3	9920614450	BOLT	5306-66-128-4385	2	2	2	2	2	2	2	2
4	081208251E	BOLT	5306-66-128-5566	7	7	7	7	7	7	7	7
5	1096254020	SEAL-OIL-CRANKSHAFT-REAR	5330-66-128-4436	1	1	1	1	1	1	1	1
6	9095714160	WASHER	5310-66-128-4381	1	1	1	1	1	1	1	1
7	9992023160	PLUG	5365-66-128-4380	1	1	1	1	1	1	1	1
8	5123340030	BOLT-M14 X 36	5306-66-128-4379	6	6	6	6	6	6	6	6
9	5123360030	PLATE-LOCKING	5340-66-128-4378	1	1	1	1	1	1	1	1
10	5123301481	FLYWHEEL ASSY (INCL ITEM 11)	2815-66-128-4674	1	1	1	1	1	1	1	1
11	5123330020	GEAR-RING	3020-66-128-4565	1	1	1	1	1	1	1	1
12	AYG320	BEARING-SPIGOT	3120-66-128-4676	1	1	1	1	1	1	1	1
	R549911	BUSH-SPIGOT BEARING (PART OF AYG320)		1	1	1	1	1	1	1	1
13	SH110401	SCREW	5305-99-122-8670	11	11	11	11	11	11	11	11
14	WL110001L	WASHER-LOCK	5310-99-138-9228	11	11	11	11	11	11	11	11
15	9944112350	STUD-UPPER	5307-66-128-4982	2	2	2	2	2	2	2	2
16	9091605120	WASHER-PLAIN	5310-66-128-4377	1	1	1	1	1	1	1	1
17	9091506120	WASHER-LOCK	5310-66-128-4376	2	2	2	2	2	2	2	2
18	9991105120	NUT	5310-66-128-4375	2	2	2	2	2	2	2	2
19	BH112091L	BOLT	5306-99-122-2787	1	1	1	1	1	1	1	1

CHANGE POINT

ARN INTRODUCTION

GROUP AAC



PISTON, LINER, CONNECTING ROD AND BEARINGS

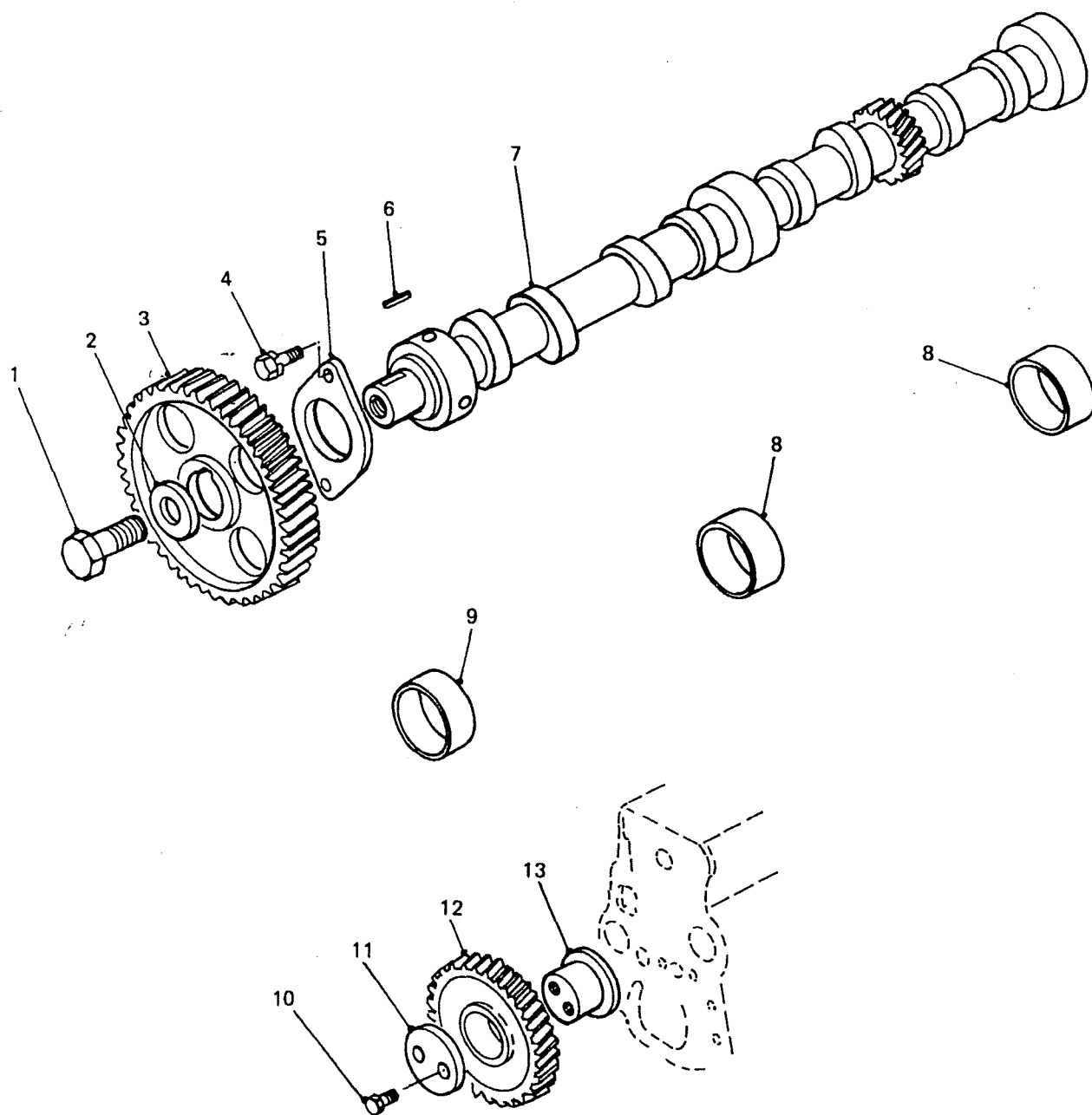
PERENTIE LAND ROVER PARTS LIST

ITEM	AAC/1/1 PART NO.	DESCRIPTION	NSN	DERIVATIVE CODE								
				2188	2189	2190	2191	2192	2194	2195	2207	CP
1	M39914	KIT-ENGINE LINER		4	4	4	4	4	4	4	4	4
2	NSS											
3	5121210050	RING SET		4	4	4	4	4	4	4	4	4
4	8941075750	RING-SNAP		8	8	8	8	8	8	8	8	8
5	9122116040	PIN-PISTON		4	4	4	4	4	4	4	4	4
6	NSS											
7	1122301040	ROD-CONNECTING		4	4	4	4	4	4	4	4	4
8	1122510270	BUSH-CON.ROD		4	4	4	4	4	4	4	4	4
9	NSS											
10	5122350051	BOLT-CON.ROD		8	8	8	8	8	8	8	8	8
11	9122716080	BEARING SET-CON.ROD		4	4	4	4	4	4	4	4	4

CHANGE POINT

ARN INTRODUCTION

GROUP AAD



CAMSHAFT, BEARINGS AND IDLER GEAR

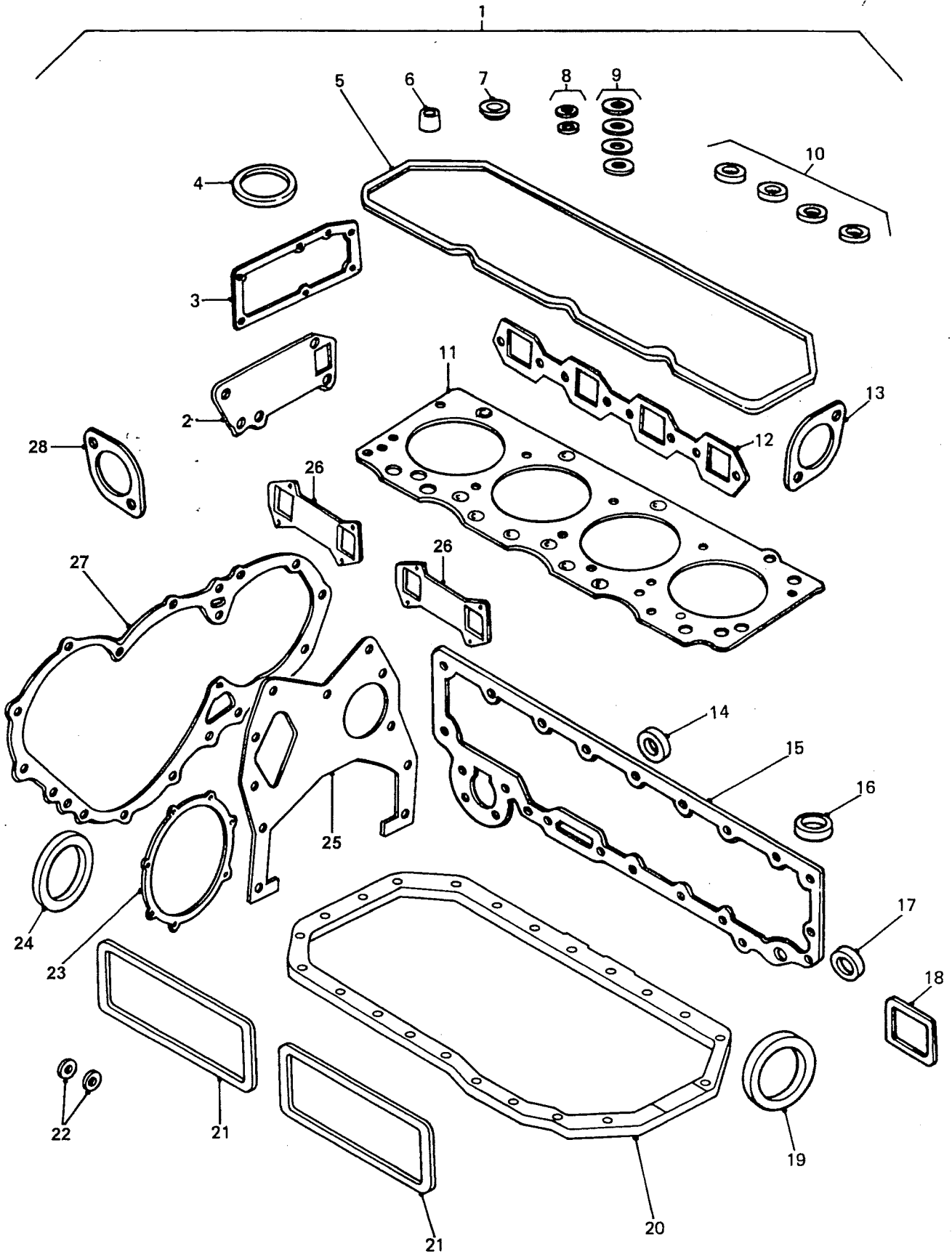
PERENTIE LAND ROVER PARTS LIST

<u>ITEM</u>	<u>AAD/1/1</u> <u>PART NO.</u>	<u>CAMSHAFT, BEARINGS AND IDLER GEAR</u> <u>DESCRIPTION</u>	<u>NSN</u>	<u>DERIVATIVE CODE</u>								
				<u>2188</u>	<u>2189</u>	<u>2190</u>	<u>2191</u>	<u>2192</u>	<u>2194</u>	<u>2195</u>	<u>2207</u>	<u>CP</u>
1	5090002360	BOLT-CAMSHAFT GEAR		1	1	1	1	1	1	1	1	1
2	9098518502	WASHER		1	1	1	1	1	1	1	1	1
3	9125221471	GEAR-CAMSHAFT		1	1	1	1	1	1	1	1	1
4	081208251E	BOLT	5306-66-128-5566	2	2	2	2	2	2	2	2	2
5	9116810150	PLATE-THRUST		1	1	1	1	1	1	1	1	1
6	9080107200	KEY-CAM GEAR		1	1	1	1	1	1	1	1	1
7	5125110810	CAMSHAFT		1	1	1	1	1	1	1	1	1
8	VS18272	BEARING-CAMSHAFT-REAR AND INTERMEDIATE		2	2	2	2	2	2	2	2	2
9	9116910480	BEARING-CAMSHAFT-FRONT		1	1	1	1	1	1	1	1	1
10	5090000890	BOLT	5306-66-128-4613	2	2	2	2	2	2	2	2	2
11	5125350011	COLLAR-THRUST		1	1	1	1	1	1	1	1	1
12	1125230572	GEAR-IDLER		1	1	1	1	1	1	1	1	1
13	9125310300	SHAFT-IDLER GEAR		1	1	1	1	1	1	1	1	1

CHANGE POINT

ARN INTRODUCTION

GROUP AAE

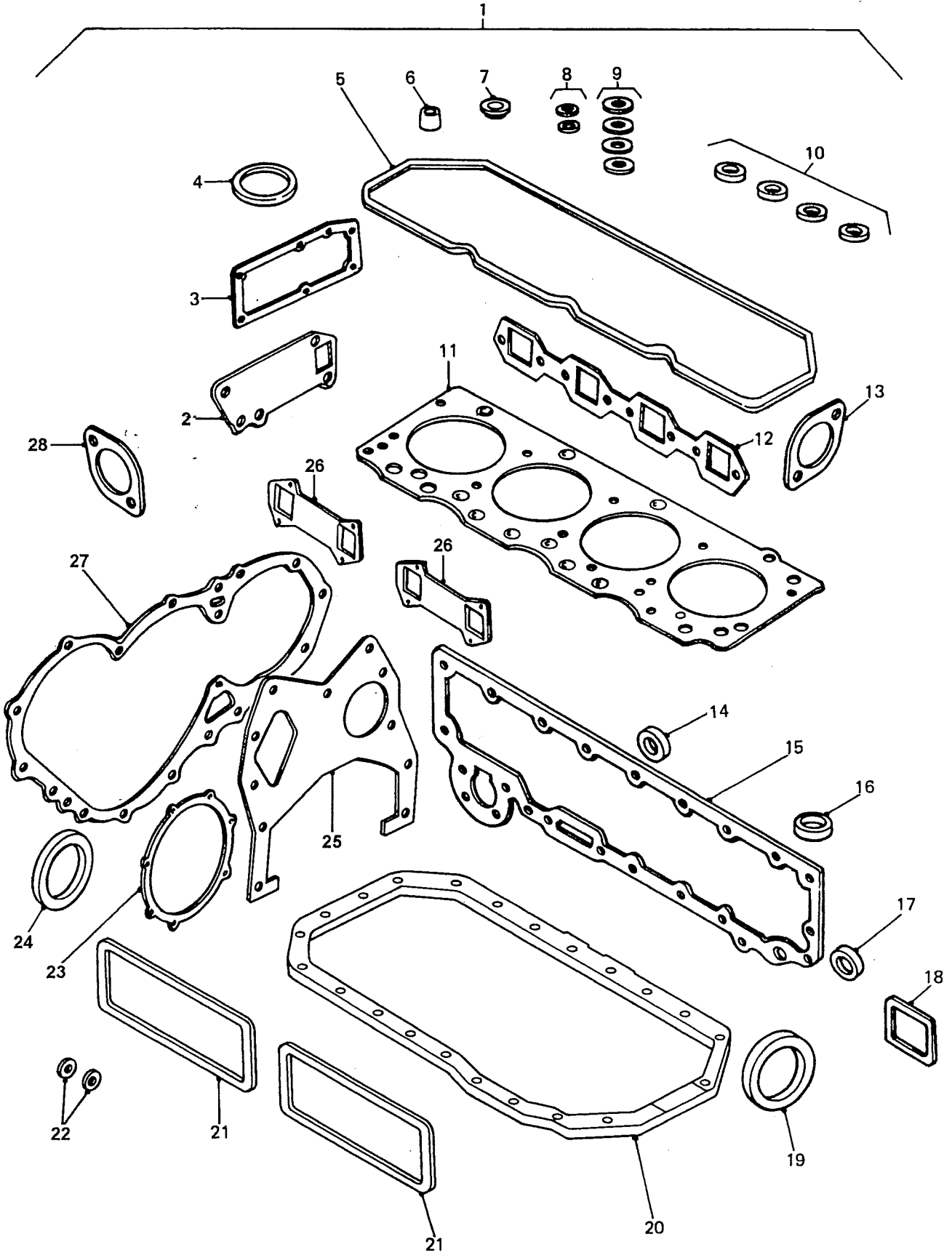


ENGINE GASKET SET

PERENTIE LAND ROVER PARTS LIST

ITEM	AAE/1/1 PART NO.	ENGINE GASKET SET DESCRIPTION	NSN	DERIVATIVE CODE							
				2188	2189	2190	2191	2192	2194	2195	2207 CP
1	5878109421	GASKET SET-OVERHAUL	5330-66-128-4452	1	1	1	1	1	1	1	1
2	1136140131	GASKET-WATER PUMP TO CYL. BLOCK	5330-66-128-4265	1	1	1	1	1	1	1	1
3	8943210100	GASKET-THERMOSTAT HOUSING TO HEAD	5330-66-128-4268	1	1	1	1	1	1	1	1
4	8941760310	SEALING RING-THERMOSTAT	5330-66-128-4270	1	1	1	1	1	1	1	1
5	5111730160	SEAL-ROCKER COVER	5330-66-128-5386	1	1	1	1	1	1	1	1
6	1125690150	SEAL-VALVE STEM	5330-66-128-4482	8	8	8	8	8	8	8	8
7	9111790300	SEAL-ROCKER COVER NUT	5330-66-128-4973	3	3	3	3	3	3	3	3
8	9095714080	WASHER-COPPER-LEAK OFF PIPE	5310-66-128-4271	10	10	10	10	10	10	10	10
9	1157590010	WASHER-SEALING	5330-01-266-8690	4	4	4	4	4	4	4	4
10	5153150030	SEAL-COPPER-INJECTOR NOZZLE	5310-66-128-4272	4	4	4	4	4	4	4	4
11	8941458390	GASKET-CYLINDER HEAD	5330-66-128-4586	1	1	1	1	1	1	1	1
12	8943632700	GASKET-INLET MANIFOLD	5330-66-128-4582	1	1	1	1	1	1	1	1
13	8943286740	GASKET-ELBOW TO INLET MANIFOLD	5330-66-128-4450	1	1	1	1	1	1	1	1
14	5096230350	O.RING-RELIEF VALVE	5310-66-128-4972	1	1	1	1	1	1	1	1
15	8943210130	GASKET-OIL COOLER	5330-66-128-4264	1	1	1	1	1	1	1	1
16	9095720100	WASHER-SEALING-BANJO BOLT	5330-66-128-4404	2	2	2	2	2	2	2	2
17	8941075640	WASHER-SUMP PLUG	5310-66-128-4433	1	1	1	1	1	1	1	1
18	8943210120	GASKET-FILTER HEAD TO CYL. BLOCK	5330-66-128-4454	1	1	1	1	1	1	1	1
19	1096254020	SEAL-OIL-CRANKSHAFT- REAR	5330-66-128-4436	1	1	1	1	1	1	1	1
20	5113670640	GASKET-PLATES TO SUMP	5330-66-128-4984	1	1	1	1	1	1	1	1
	5113670630	GASKET-SUMP TO CYL. BLOCK	5330-66-128-4459	1	1	1	1	1	1	1	1

GROUP AAE



ENGINE GASKET SET

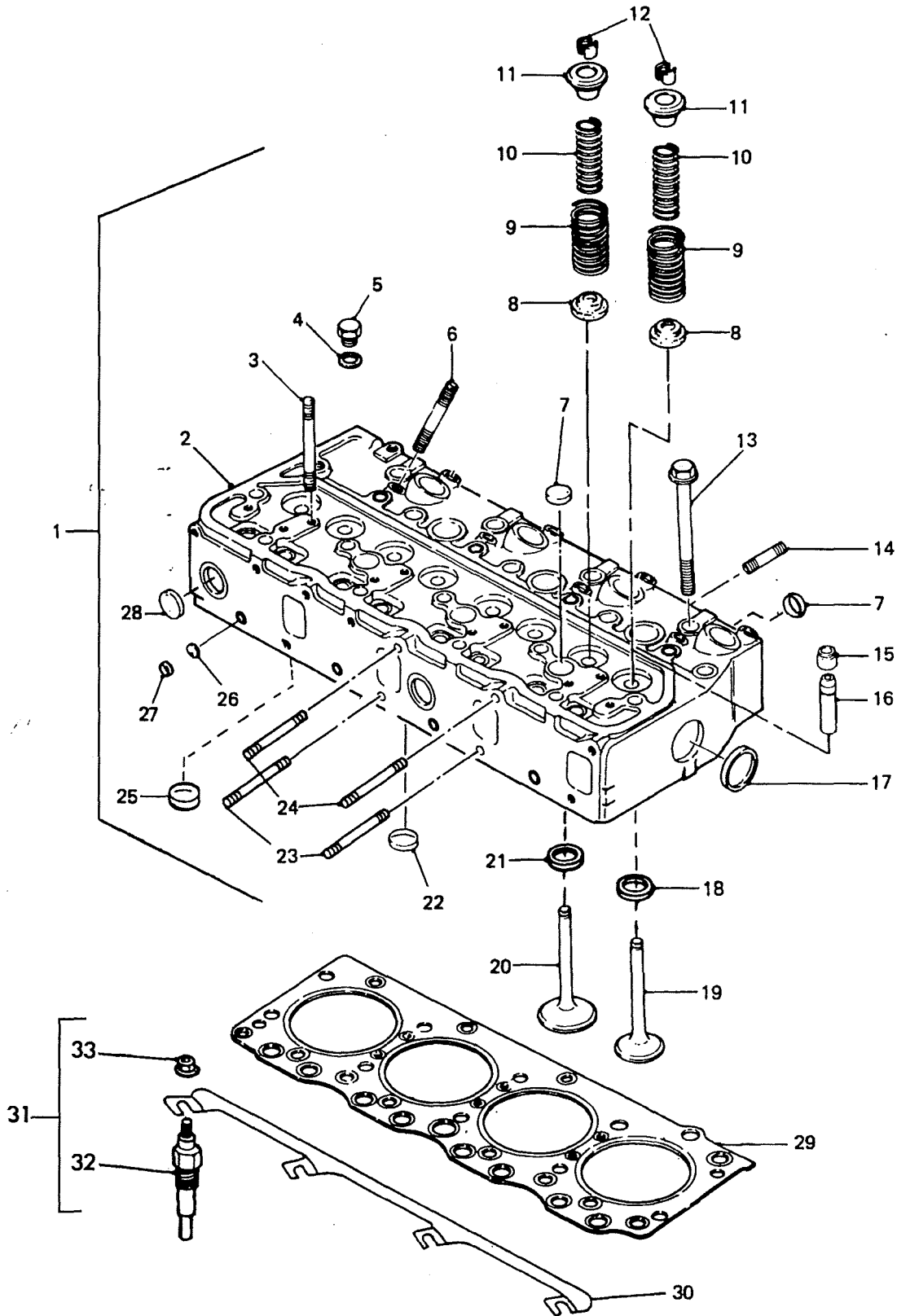
PERENTIE LAND ROVER PARTS LIST

<u>ITEM</u>	<u>AAE/1/1</u> <u>PART NO.</u>	<u>ENGINE GASKET SET</u> <u>DESCRIPTION</u>	<u>NSN</u>	<u>DERIVATIVE CODE</u>								<u>CP</u>
				<u>2188</u>	<u>2189</u>	<u>2190</u>	<u>2191</u>	<u>2192</u>	<u>2194</u>	<u>2195</u>	<u>2207</u>	
21	8943673680	GASKET-SIDE PLATES TO CYL. BLOCK	5330-66-128-4588	2	2	2	2	2	2	2	2	2
22	1096233950	O.RING-OIL PIPE TO FILTER HEAD	5330-66-128-4400	2	2	2	2	2	2	2	2	2
23	8943706750	GASKET-INJECTION PUMP TO TIMING CASE	5330-66-128-4492	1	1	1	1	1	1	1	1	1
24	1096253190	SEAL-OIL-TIMING CASE	5330-66-128-4483	1	1	1	1	1	1	1	1	1
25	8943210171	GASKET-TIMING CASE TO CYL. BLOCK	5330-66-128-4485	1	1	1	1	1	1	1	1	1
26	8944046100	GASKET-EXHAUST MANIFOLD	5330-66-128-4266	2	2	2	2	2	2	2	2	2
27	8943210160	GASKET-TIMING COVER	5330-66-128-4484	1	1	1	1	1	1	1	1	1
28	5096370060	GASKET-PIPE TO ELBOW		1	1	1	1	1	1	1	1	1
29	9095720080	WASHER-SEALING-SIDE COVER BOLTS	5330-66-128-4397	4	4	4	4	4	4	4	4	4
31	9099206470	O. RING-COVER PLATE TO CYL. BLOCK	5330-66-128-5401	1	1	1	1	1	1	1	1	1

CHANGE POINT

ARN INTRODUCTION

GROUP AB

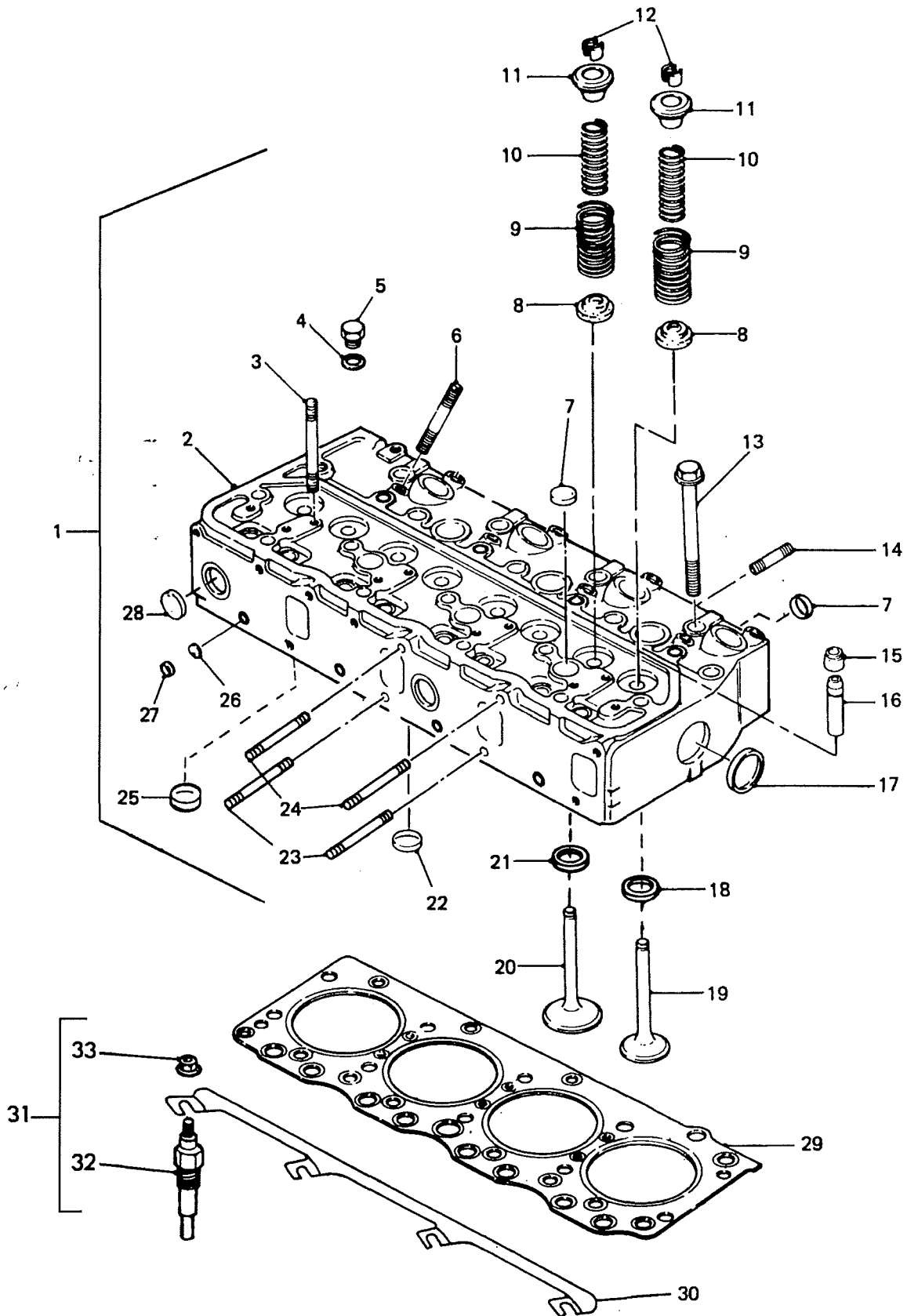


**CYLINDER HEAD ASSEMBLY AND
GLOW PLUGS**

PERENTIE LAND ROVER PARTS LIST

ITEM	AB /1/1 PART NO.	CYLINDER HEAD ASSEMBLY AND GLOW PLUGS DESCRIPTION	NSN	DERIVATIVE CODE							
				2188	2189	2190	2191	2192	2194	2195	2207 CP
1	HYL8710	CYLINDER HEAD COMPLETE WITH VALVES, VALVE SPRINGS AND STUDS	2815-66-128-4677	1	1	1	1	1	1	1	1
2	5111101680	HEAD ASSY-CYL(INCL ITEM 7,16,17,18,21,22,25,26, 28)	2815-66-128-4679	1	1	1	1	1	1	1	1
3	5093000650	STUD-ROCKER BRACKET	5307-66-128-4394	3	3	3	3	3	3	3	3
4	9095714100	GASKET	5310-66-128-4393	1	1	1	1	1	1	1	1
5	9092023100	PLUG-FILTER	5365-66-128-4392	1	1	1	1	1	1	1	1
6	1093000180	STUD-INJECTOR	5307-66-128-5013	8	8	8	8	8	8	8	8
7	9111290790	CUP	5340-66-128-4487	7	7	7	7	7	7	7	7
8	5125630010	VALVE SEAT	5340-66-128-4987	8	8	8	8	8	8	8	8
9	8941255120	SPRING VALVE	5360-66-128-4587	8	8	8	8	8	8	8	8
10	8941255110	SPRING VALVE	5360-66-128-4989	8	8	8	8	8	8	8	8
11	8941145790	SEAT SPRING	5340-66-128-4991	8	8	8	8	8	8	8	8
12	5125650060	COLLAR	2815-66-128-4686	16	16	16	16	16	16	16	16
13	5090090170	BOLT	5306-66-128-4390	4	4	4	4	4	4	4	4
13	5090090180	BOLT	5306-66-128-4391	14	14	14	14	14	14	14	14
14	5093000370	STUD-INLET MANIFOLD	5307-66-128-4389	2	2	2	2	2	2	2	2
15	1125690150	SEAL-VALVE STEM	5330-66-128-4482	8	8	8	8	8	8	8	8
16	5117210010	GUIDE-VALVE	2815-66-128-4687	8	8	8	8	8	8	8	8
17	1096000051	CUP SEAL	5340-66-128-5789	1	1	1	1	1	1	1	1
18	9117118030	VALVE SEAT	2815-66-128-4491	4	4	4	4	4	4	4	4
19	1125520790	VALVE-EXHAUST	2815-66-128-4688	4	4	4	4	4	4	4	4
20	1125510501	VALVE INLET	2815-66-128-4690	4	4	4	4	4	4	4	4
21	9117156070	VALVE SEAT	2815-66-128-4481	4	4	4	4	4	4	4	4
22	9111291280	CUP SEAL	5340-66-128-4490	2	2	2	2	2	2	2	2
23	9098301770	STUD-EXHAUST MANIFOLD	5307-66-128-4388	5	5	5	5	5	5	5	5
24	9098302120	STUD-EXHAUST MANIFOLD	5307-66-128-4387	2	2	2	2	2	2	2	2
25	9111290830	CUP SEALING	5340-66-128-4986	4	4	4	4	4	4	4	4

GROUP AB



**CYLINDER HEAD ASSEMBLY AND
GLOW PLUGS**

PERENTIE LAND ROVER PARTS LIST

AB /1/1

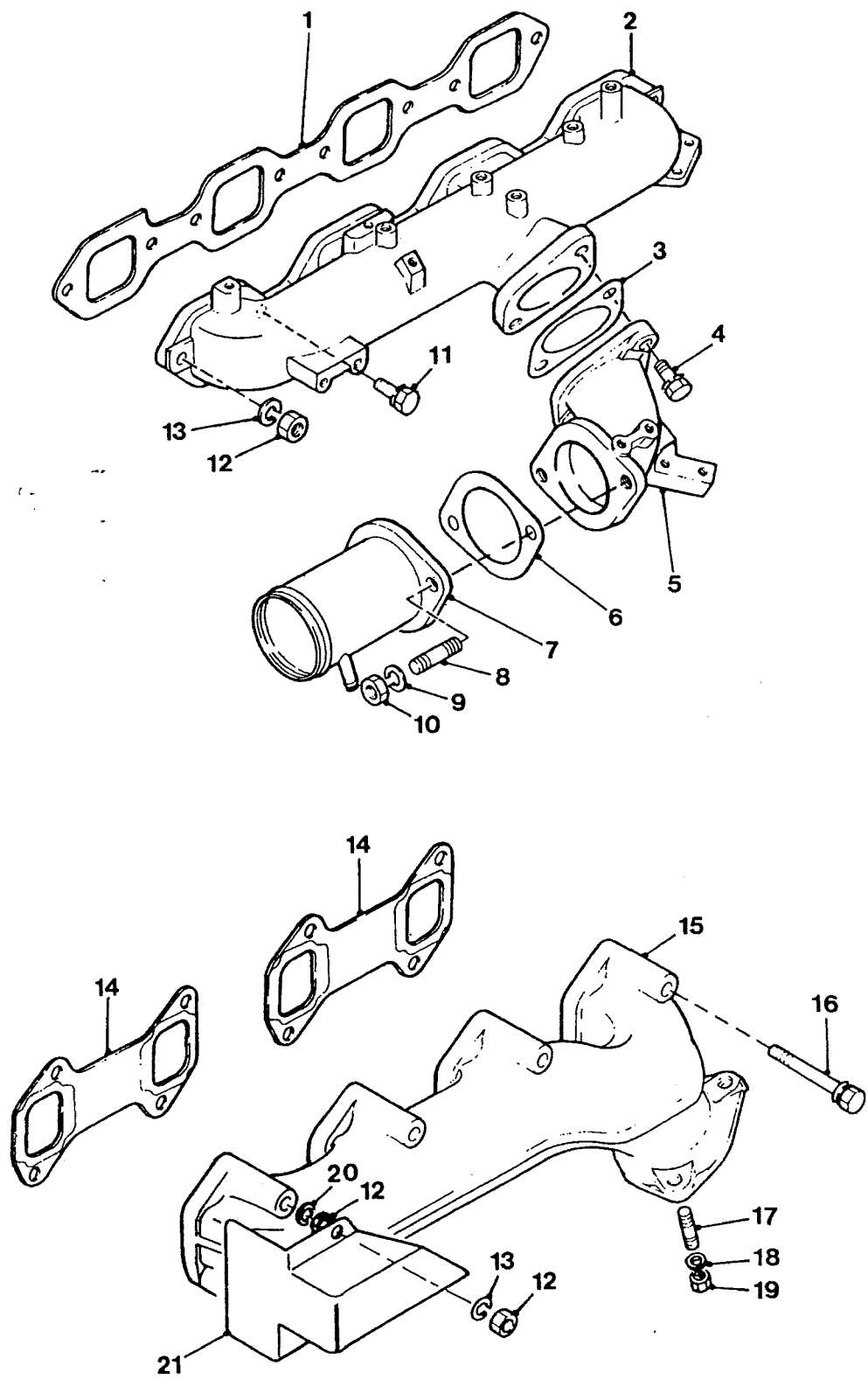
CYLINDER HEAD ASSEMBLY AND GLOW PLUGS

ITEM	PART NO.	DESCRIPTION	NSN	DERIVATIVE CODE								
				2188	2189	2190	2191	2192	2194	2195	2207	CP
26	9096600340	PLATE	5340-66-128-4488	4	4	4	4	4	4	4	4	4
27	9111296010	CUP	5340-66-128-4489	4	4	4	4	4	4	4	4	4
28	5112190150	CUP SEALING	5340-66-128-4990	2	2	2	2	2	2	2	2	2
29	8941458390	GASKET-CYLINDER HEAD	5330-66-128-4586	1	1	1	1	1	1	1	1	1
30	5197320020	CONNECTOR	5935-66-128-5030	1	1	1	1	1	1	1	1	1
31	5814100233	PLUG GLOW (INCLUDES ITEMS 32-33)	2920-66-128-4288	4	4	4	4	4	4	4	4	4
32	NSS											
33	NSS											

CHANGE POINT

ARN INTRODUCTION

GROUP ABA



MANIFOLDS, INTAKE AND EXHAUST

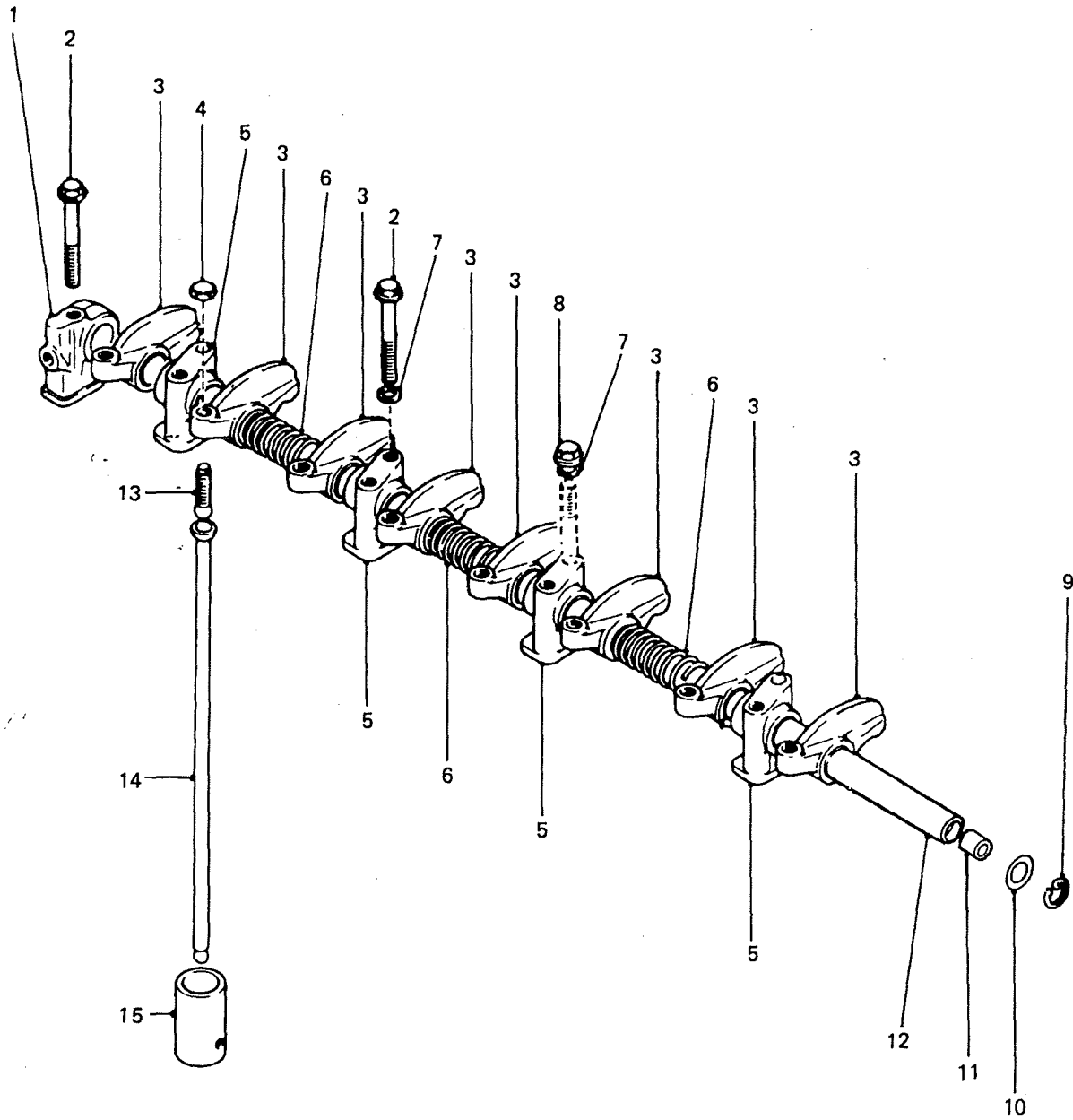
PERENTIE LAND ROVER PARTS LIST

<u>ITEM</u>	<u>ABA/1/1</u> <u>PART NO.</u>	<u>MANIFOLD, INTAKE AND EXHAUST</u> <u>DESCRIPTION</u>	<u>NSN</u>	<u>DERIVATIVE CODE</u>								
				<u>2188</u>	<u>2189</u>	<u>2190</u>	<u>2191</u>	<u>2192</u>	<u>2194</u>	<u>2195</u>	<u>2207</u>	<u>CP</u>
1	8943632700	GASKET-INLET MANIFOLD	5330-66-128-4582	1	1	1	1	1	1	1	1	1
2	5141112321	MANIFOLD-INTAKE	2815-66-128-4691	1	1	1	1	1	1	1	1	1
3	5096370060	GASKET-ELBOW TO INLET MANIFOLD		1	1	1	1	1	1	1	1	1
4	9019910450	BOLT	5306-66-128-4425	2	2	2	2	2	2	2	2	2
5	5141102630	ELBOW-INLET	2815-66-128-5034	1	1	1	1	1	1	1	1	1
6	8943286740	GASKET-PIPE TO ELBOW	5330-66-128-4450	1	1	1	1	1	1	1	1	1
7	5141111750	PIPE-INLET	2815-66-128-5036	1	1	1	1	1	1	1	1	1
8	9044110280	STUD	5307-66-128-4988	2	2	2	2	2	2	2	2	2
9	089151401A	WASHER-LOCK	5310-66-128-4424	2	2	2	2	2	2	2	2	2
10	9091105100	NUT	5310-66-128-4520	2	2	2	2	2	2	2	2	2
11	081208251E	BOLT	5306-66-128-5566	6	6	6	6	6	6	6	6	6
12	11014031	NUT	5310-66-128-4421	12	12	12	12	12	12	12	12	12
13	9091505080	WASHER-LOCK	5310-66-128-4420	2	2	2	2	2	2	2	2	2
14	8944046100	GASKET-EXHAUST MANIFOLD	5330-66-128-4266	2	2	2	2	2	2	2	2	2
15	5141410841	MANIFOLD-EXHAUST	2815-66-128-4422	1	1	1	1	1	1	1	1	1
16	5090300131	BOLT-MANIFOLD	5306-66-128-4419	1	1	1	1	1	1	1	1	1
17	8970329770	STUD	5307-66-128-4418	3	3	3	3	3	3	3	3	3
18	5095000130	WASHER-LOCK	5310-66-128-4417	3	3	3	3	3	3	3	3	3
19	9096400140	NUT	5310-66-128-4992	3	3	3	3	3	3	3	3	3
20	9091645080	WASHER-PLAIN	5310-66-128-4416	4	4	4	4	4	4	4	4	4
21	8944663561	SHIELD-HEAT	2990-66-128-4693	1	1	1	1	1	1	1	1	1

CHANGE POINT

ARN INTRODUCTION

GROUP ABB



VALVE LIFTING GEAR AND ROCKERS

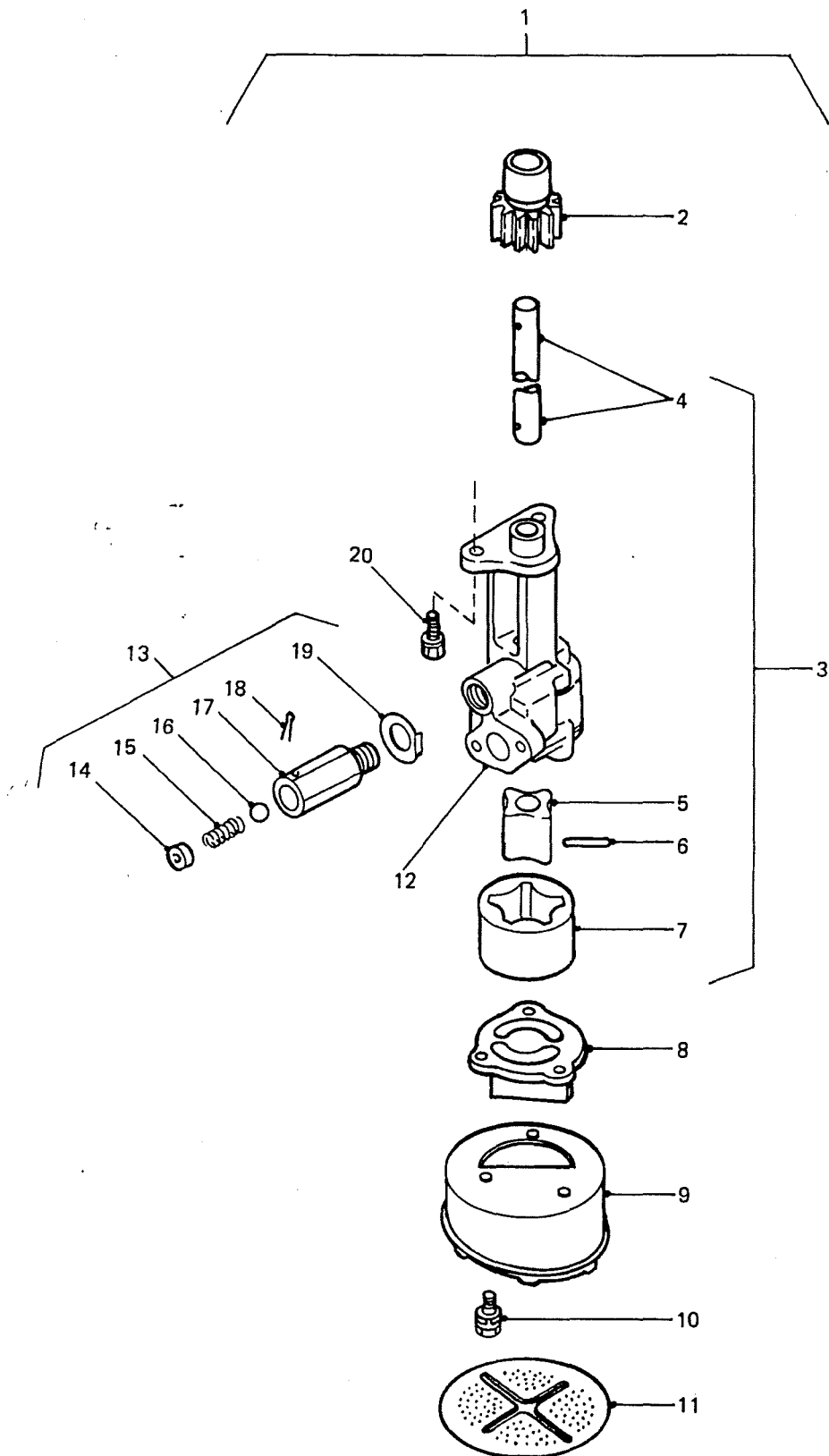
PERENTIE LAND ROVER PARTS LIST

ITEM	PART NO.	DESCRIPTION	NSN	DERIVATIVE CODE								
				2188	2189	2190	2191	2192	2194	2195	2207	CP
1	5126280120	BRACKET-ROCKER ARM-FRONT		1	1	1	1	1	1	1	1	1
2	9029508650	BOLT	5306-66-128-4415	6	6	6	6	6	6	6	6	6
3	1126111820	ARM-ROCKER		8	8	8	8	8	8	8	8	8
4	0831022083	NUT-ROCKER	5310-66-128-4414	8	8	8	8	8	8	8	8	8
5	9126281050	BRACKET-INTERMEDIATE		4	4	4	4	4	4	4	4	4
6	1095803350	SPRING-ROCKER		3	3	3	3	3	3	3	3	3
7	9419275	WASHER	5310-66-128-4413	7	7	7	7	7	7	7	7	7
8	0914008017	NUT	5310-66-128-4412	3	3	3	3	3	3	3	3	3
9	9091800190	RING-SNAP		1	1	1	1	1	1	1	1	1
10	5096230600	PACKING-O RING		1	1	1	1	1	1	1	1	1
11	9126260050	PLUG		2	2	2	2	2	2	2	2	2
12	8941295510	SHAFT-ROCKER ARM		1	1	1	1	1	1	1	1	1
13	9126160420	SCREW		8	8	8	8	8	8	8	8	8
14	1125750360	ROD-PUSH		8	8	8	8	8	8	8	8	8
15	8944023340	TAPPET		8	8	8	8	8	8	8	8	8

CHANGE POINT

ARN INTRODUCTION

GROUP AC



OIL PUMP ASSEMBLY

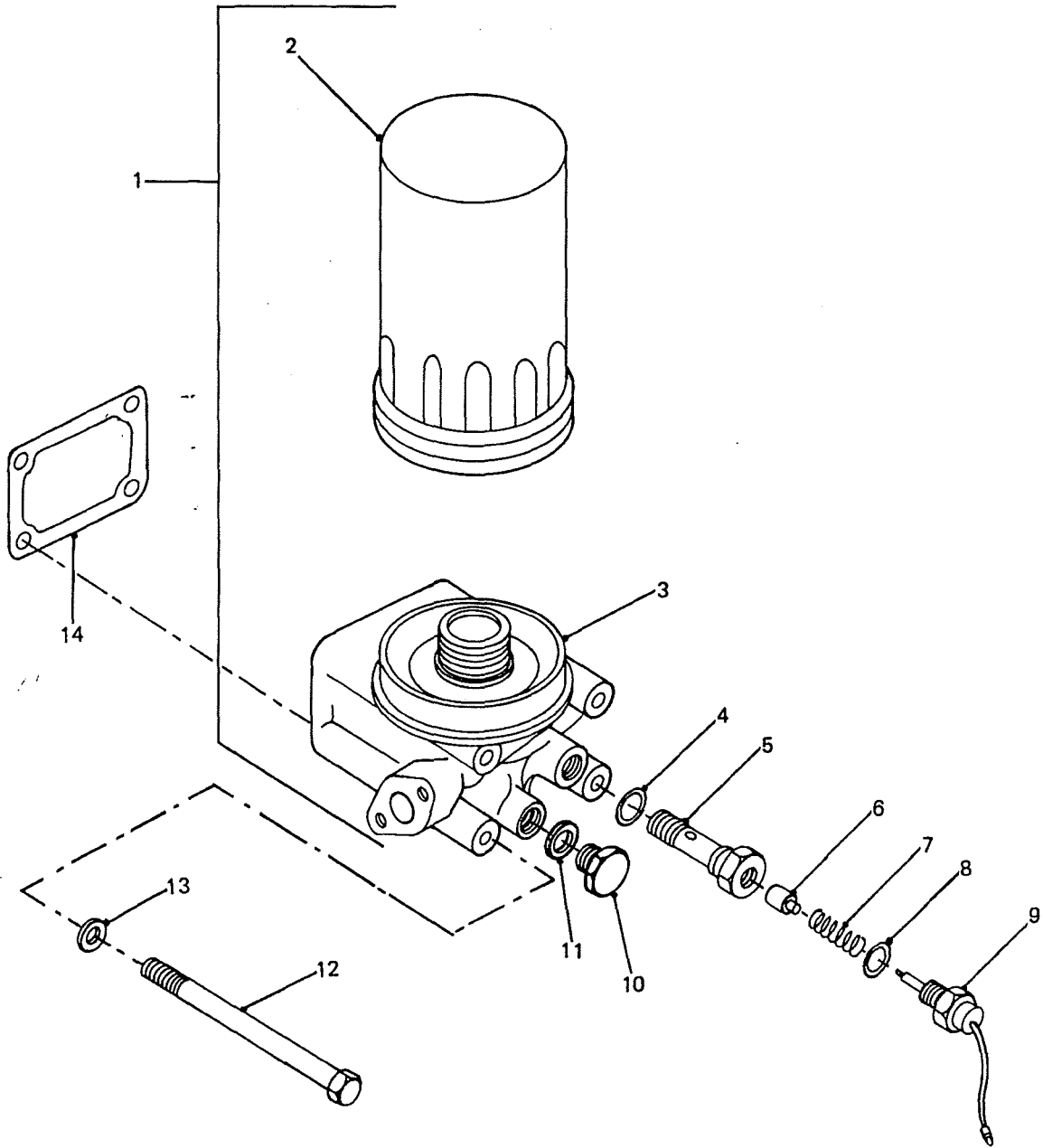
PERENTIE LAND ROVER PARTS LIST

ITEM	AC /1/1 PART NO.	OIL PUMP ASSEMBLY DESCRIPTION	NSN	DERIVATIVE CODE								CP
				2188	2189	2190	2191	2192	2194	2195	2207	
1	8944595150	PUMP-OIL (INCL ITEMS 2-19)	2815-66-128-4733	1	1	1	1	1	1	1	1	1
2	8941304200	PINION-PUMP	3020-66-128-4735	1	1	1	1	1	1	1	1	1
3	5878102740	GEAR SET OIL PUMP	3020-66-128-4741	1	1	1	1	1	1	1	1	1
4	NSS											
5	NSS											
6	9131290170	PIN ROTOR	5315-66-128-4995	2	2	2	2	2	2	2	2	2
7	NSS											
8	8944595280	COVER-PUMP	2815-66-128-4743	1	1	1	1	1	1	1	1	1
9	8941304230	CASE STRAINER	2815-66-128-4744	1	1	1	1	1	1	1	1	1
10	9019608350	BOLT-OIL PUMP	5306-66-128-4411	3	3	3	3	3	3	3	3	3
11	9131430100	GAUZE-STRAINER	2940-66-128-4747	1	1	1	1	1	1	1	1	1
12	NSS											
13	8941304210	VALVE RELIEF (INCL ITEMS 14-19)	4820-66-128-4750	1	1	1	1	1	1	1	1	1
14	NSS											
15	NSS											
16	9000975310	BALL	2815-66-128-4783	1	1	1	1	1	1	1	1	1
17	NSS											
18	9081040300	PIN-SPLIT	5315-66-128-4996	1	1	1	1	1	1	1	1	1
19	1095300020	WASHER VALVE	5310-66-128-4997	1	1	1	1	1	1	1	1	1
20	9019110250	BOLT OIL PUMP	5306-66-128-4572	2	2	2	2	2	2	2	2	2

CHANGE POINT

ARN INTRODUCTION

GROUP ACB



OIL FILTER AND FITTINGS

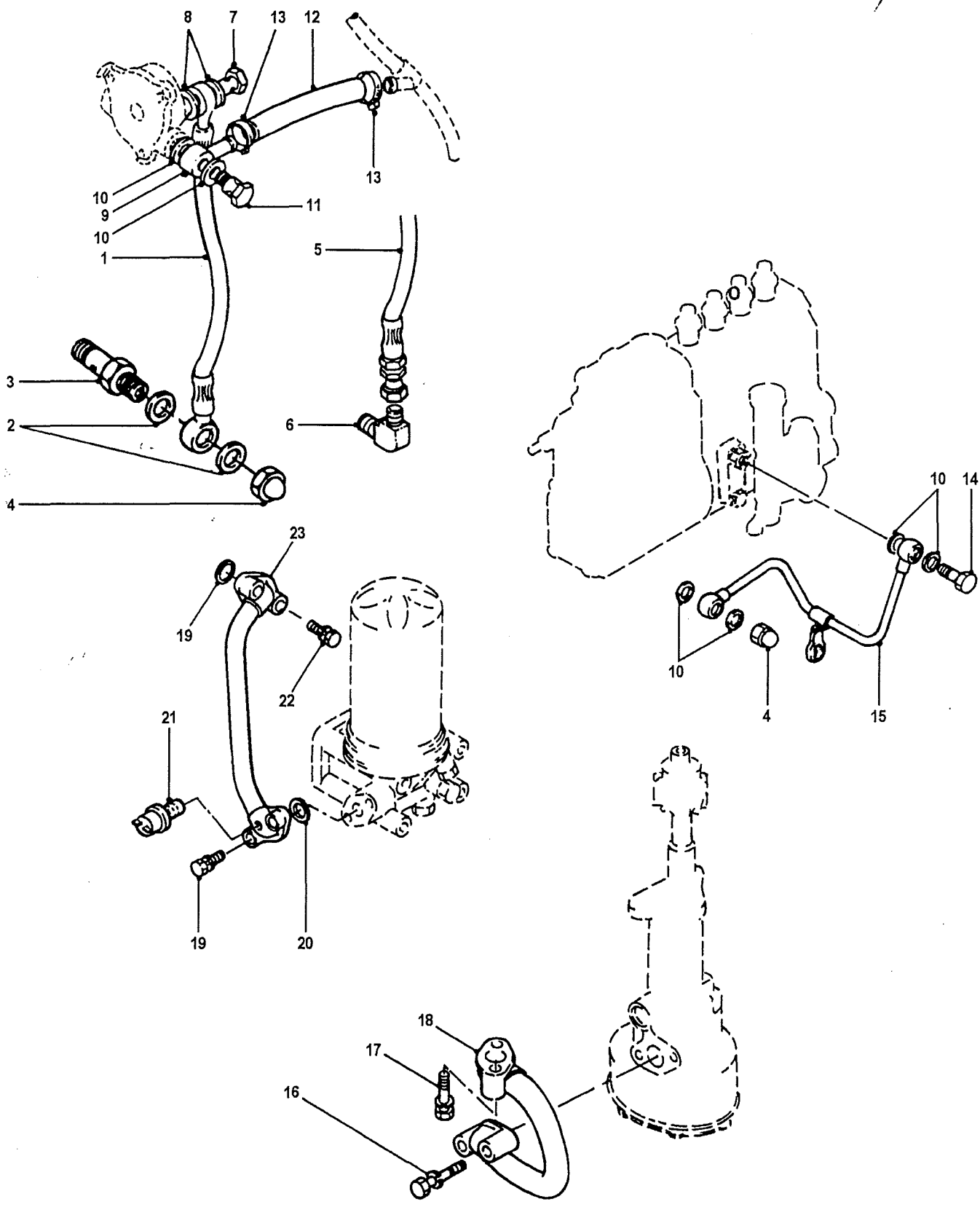
PERENTIE LAND ROVER PARTS LIST

ITEM	ACB/1/1 PART NO.	OIL FILTER AND FITTINGS DESCRIPTION	NSN	DERIVATIVE CODE							
				2188	2189	2190	2191	2192	2194	2195	2207 CP
1	8944457402	FILTER-OIL-ASSY (INCL ITEMS 2-11)	2940-66-128-4756	1	1	1	1	1	1	1	1
2	8943212191	FILTER-OIL	4330-66-128-4275	1	1	1	1	1	1	1	1
3	8944457422	FILTER HEAD ASSY	2940-66-128-4768	1	1	1	1	1	1	1	1
4	1096231630	O. RING		1	1	1	1	1	1	1	1
5	NSS										
6	NSS										
7	NSS										
8	9099205260	PACKING	5330-66-128-4410	1	1	1	1	1	1	1	1
9	MYH3595	PLUG-OIL FILTER		1	1	1	1	1	1	1	1
	MYH3603	O. RING-PLUG		1	1	1	1	1	1	1	1
10	9132630100	PLUG	5365-66-128-4409	1	1	1	1	1	1	1	1
11	9099211930	PACKING	5330-66-128-4408	1	1	1	1	1	1	1	1
12	5090000071	BOLT-FILTER	5306-66-128-4407	4	4	4	4	4	4	4	4
13	9091605100	WASHER-PLAIN	5310-66-128-4406	4	4	4	4	4	4	4	4
14	8943210120	GASKET-FILTER HEAD TO CYL. BLOCK	5330-66-128-4454	1	1	1	1	1	1	1	1

CHANGE POINT

ARN INTRODUCTION

GROUP ACC

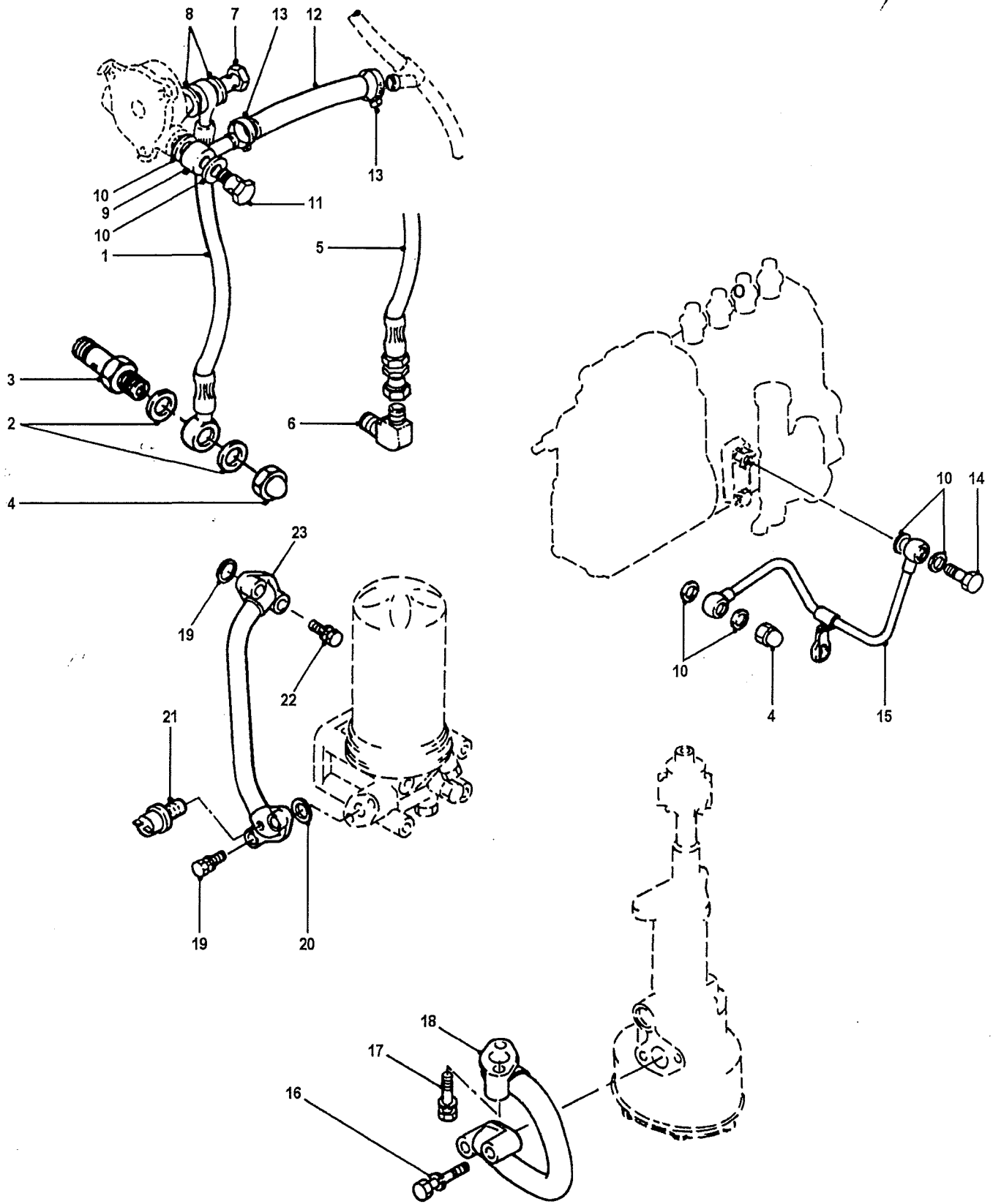


OIL FEED, RETURN PIPES AND FITTINGS

PERENTIE LAND ROVER PARTS LIST

ITEM	ACC/1/1 PART NO.	OIL FEED, RETURN PIPES AND FITTINGS DESCRIPTION	NSN	DERIVATIVE CODE								CP
				2188	2189	2190	2191	2192	2194	2195	2207	
1	9095720100	WASHER-SEALING		2	2	2	2	2	2	2	2	2
2	8942239890	BOLT-BANJO-OIL FEED PIPE	4730-66-128-5282	1	1	1	1	1	1	1	1	1
3	CJ600164L	CLAMP-HOSE	4730-99-533-2960	2	2	2	2	2	2	2	2	2
4	AYG430	HOSE-OIL DRAIN-VACUUM PUMP	4720-66-128-5283	1	1	1	1	1	1	1	1	1
5	9098440220	NUT-ACORN	5310-66-128-4405	2	2	1	1	1	1	2	1	
6	5196790042	WASHER-SEALING-OIL FEED PIPE	5330-66-128-4567	6	6	6	6	6	6	6	6	6
7	1096750280	BOLT-BANJO	4730-66-128-4403	1	1	1	1	1	1	1	1	1
8	5133111500	PIPE-OIL-INJECTION PUMP	4710-66-128-5019	1	1	1	1	1	1	1	1	1
9	0812081628	BOLT	5306-66-128-4402	2	2	2	2	2	2	2	2	2
10	9019108400	BOLT	5306-66-128-4401	2	2	2	2	2	2	2	2	2
11	8941145800	PIPE-OIL-VACUUM PUMP	4710-66-128-5001	1	1	1	1	1	1	1	1	1
12	1096233950	O.RING-OIL PIPE TO FILTER HEAD	5330-66-128-4400	2	2	2	2	2	2	2	2	2
13	9019108350	BOLT	5306-66-128-4399	2	2	2	2	2	2	2	2	2
14	8941780031	SWITCH-PRESSURE -REVERSE LAMPS	5930-66-128-4812	1	1	1	1	1	1	1	1	1
15	0500408320	BOLT	5306-66-128-4398	2	2	2	2	2	2	2	2	2
16	8943631670	PIPE-OIL FILTER TO COOLER		1	1	1	1	1	1	1	1	1
17	9095720100	WASHER-SEALING-OIL FEED PIPE	5330-66-128-4404	2	2	2	2	2	2	2	2	2
18	5096600330	ADAPTOR-OIL FEED PIPE		1	1						1	
19	5133111910	PIPE-OIL FEED TO VACUUM PUMP		1	1						1	
20	MYH3179	ELBOW-ADAPTOR	4730-66-128-5285			1	1	1	1			1
21	AYG2804	PIPE-OIL FEED TO VACUUM PUMP	4710-66-128-5286			1	1	1	1			1

GROUP ACC



OIL FEED, RETURN PIPES AND FITTINGS

PERENTIE LAND ROVER PARTS LIST

ACC/1/1

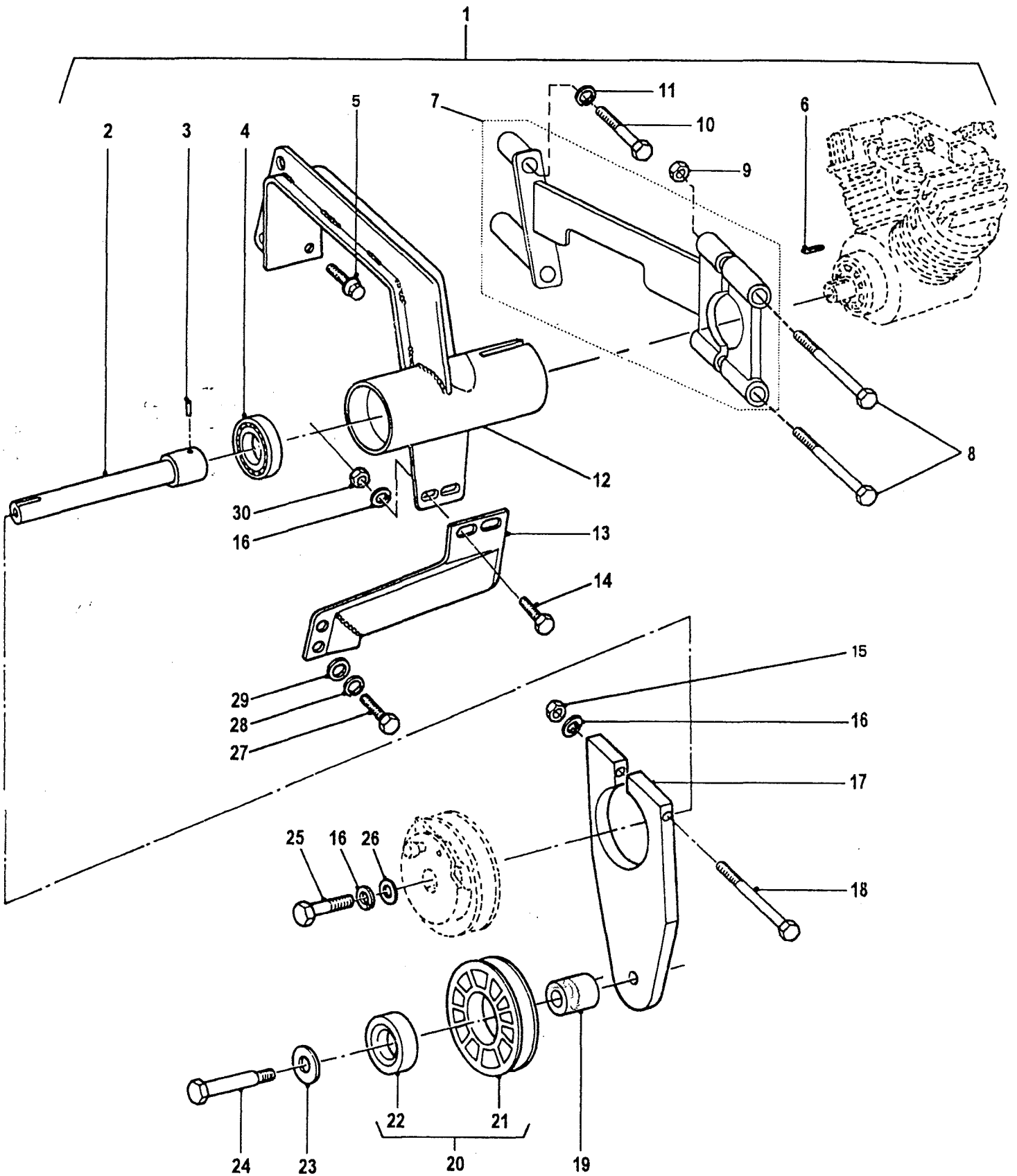
OIL FEED, RETURN PIPES AND FITTINGS

<u>ITEM</u>	<u>PART NO.</u>	<u>DESCRIPTION</u>	<u>NSN</u>	<u>DERIVATIVE CODE</u>								<u>CP</u>
				<u>2188</u>	<u>2189</u>	<u>2190</u>	<u>2191</u>	<u>2192</u>	<u>2194</u>	<u>2195</u>	<u>2207</u>	
22	5196190310	BOLT-BANJO-OIL DRAIN PIPE	4730-66-128-5287	1	1	1	1	1	1	1	1	1
23	8941566400	BANJO CONNECTOR-OIL DRAIN PIPE	4710-66-128-5000	1	1	1	1	1	1	1	1	1

CHANGE POINT

ARN INTRODUCTION

GROUP AD

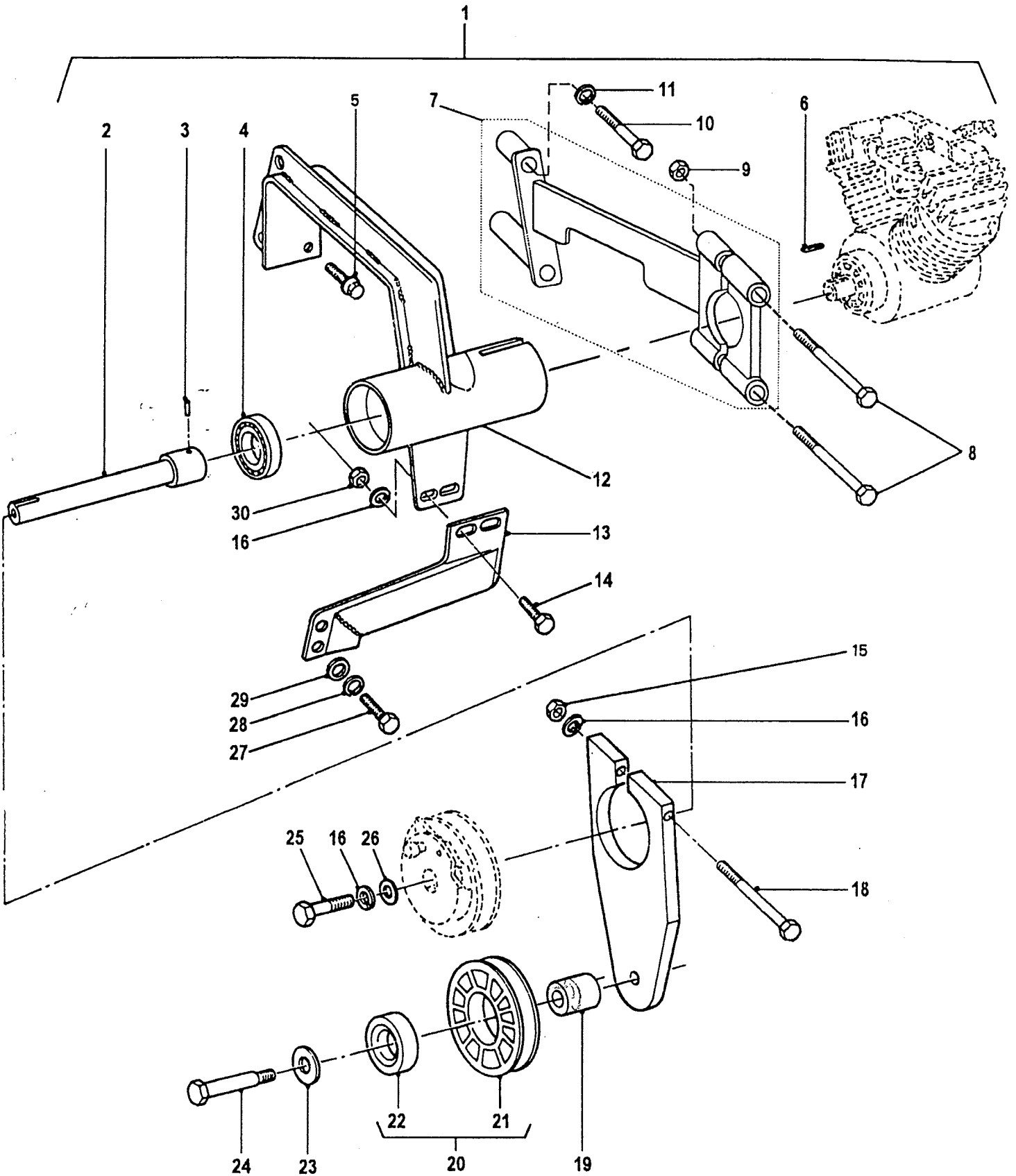


**AIR COMPRESSOR ASSEMBLY,
DRIVE SHAFT AND MOUNTINGS**

PERENTIE LAND ROVER PARTS LIST

ITEM	AD /1/1 PART NO.	DESCRIPTION	NSN	DERIVATIVE CODE							CP
				2188	2189	2190	2191	2192	2194	2195	
1	BYG2073	AIR COMPRESSOR ASSY (INCL ITEMS 2-4, 6-26, 30)									1
2	HYM604	DRIVESHAFT & CIRCLIP									1
	HYM605	CIRCLIP-DRIVESHAFT (PART OF ITEM 2)									1
3	HYL9780	SCREW-GRUB									1
4	HYL9793	BEARING-BALL									1
5	9019110200	BOLT	5306-66-128-4438								1
6	HYL9769	KEY									1
7	AYG578	CLAMP ASSY									1
8	BH108171	BOLT									2
9	NY108041L	NUT-NYLOC	5310-99-122-5496								2
10	FB108221	BOLT									2
11	WL108001L	WASHER-LOCK	5310-99-137-9231								2
12	HYM439	BRACKET AND DRIVETUBE ASSY									1
13	HYM440	BRACKET SUPPORT - LOWER									1
14	HYL9789	BOLT									2
15	NY108041L	NUT-NYLOC	5310-99-122-5496								1
16	HYL9787	WASHER-LOCK									4
17	HYL9786	TENSIONER									1
18	HYL9781	BOLT									1
19	HYL9785	BUSH									1
20	HYL9784	PULLEY (INCL ITEMS 21-22)									1
21	NSS										
22	NSS										
23	HYL9782	WASHER-PLAIN									1

GROUP AD



**AIR COMPRESSOR ASSEMBLY,
DRIVE SHAFT AND MOUNTINGS**

PERENTIE LAND ROVER PARTS LIST

AD /1/1

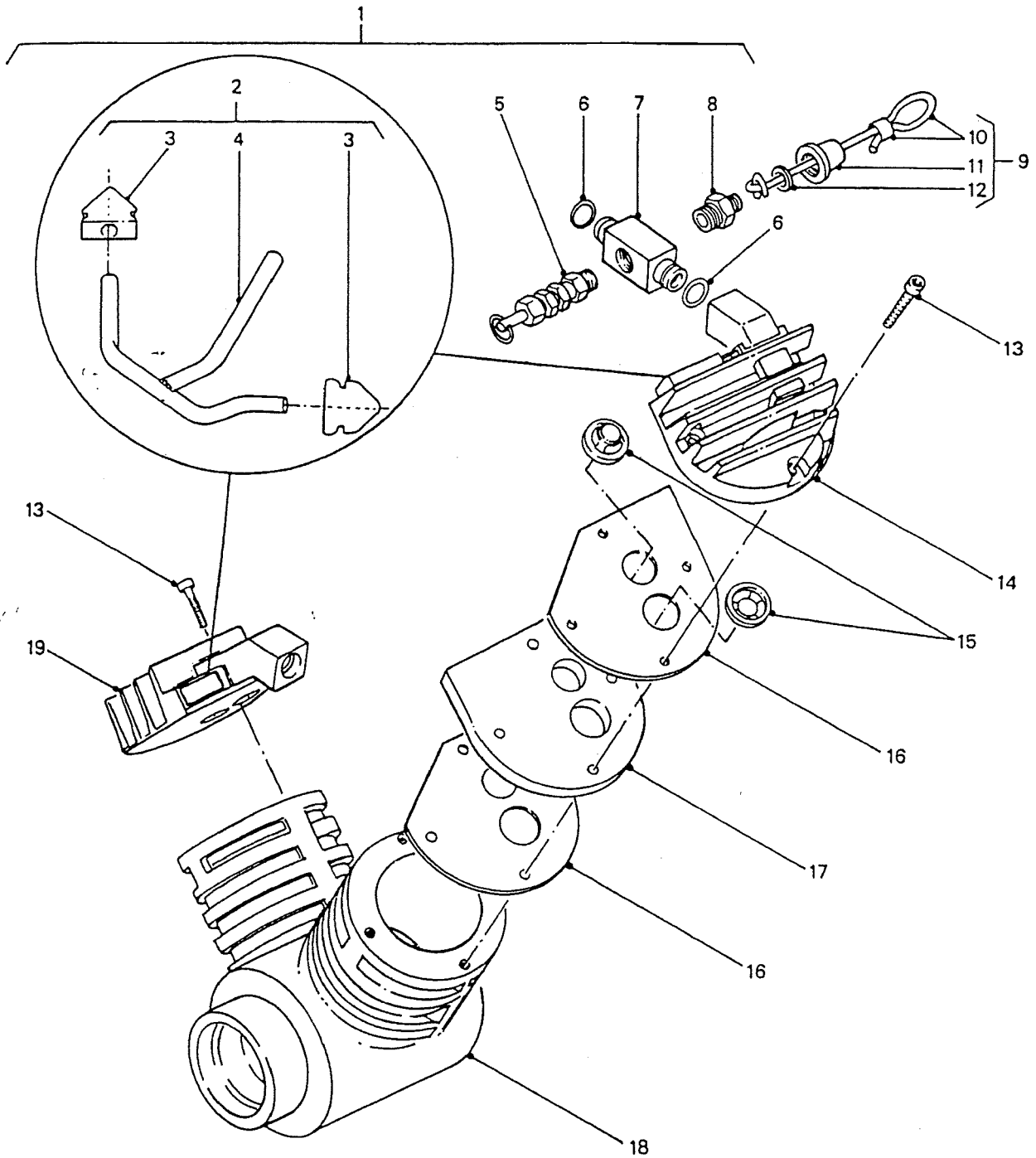
AIR COMPRESSOR ASSY, DRIVE SHAFTS AND MOUNTINGS

<u>ITEM</u>	<u>PART NO.</u>	<u>DESCRIPTION</u>	<u>NSN</u>	<u>DERIVATIVE CODE</u>							<u>CP</u>	
				<u>2188</u>	<u>2189</u>	<u>2190</u>	<u>2191</u>	<u>2192</u>	<u>2194</u>	<u>2195</u>		<u>2207</u>
24	HYL9783	BOLT										1
25	HYL9792	SCREW										2
26	HYL9777	WASHER-PLAIN										1
27	SH210251	SCREW	5305-66-128-5318									2
28	WL110001L	WASHER-LOCK	5310-99-138-9228									2
29	WA110061L	WASHER-PLAIN	5310-99-122-6476									2
30	HYL9788	NUT										2
	HYL9778	DECAL-COMPRESSOR	7960-66-128-6200									1

CHANGE POINT

ARN INTRODUCTION

GROUP ADA SHEET 1



**AIR COMPRESSOR ASSEMBLY
EXTERNAL ITEMS**

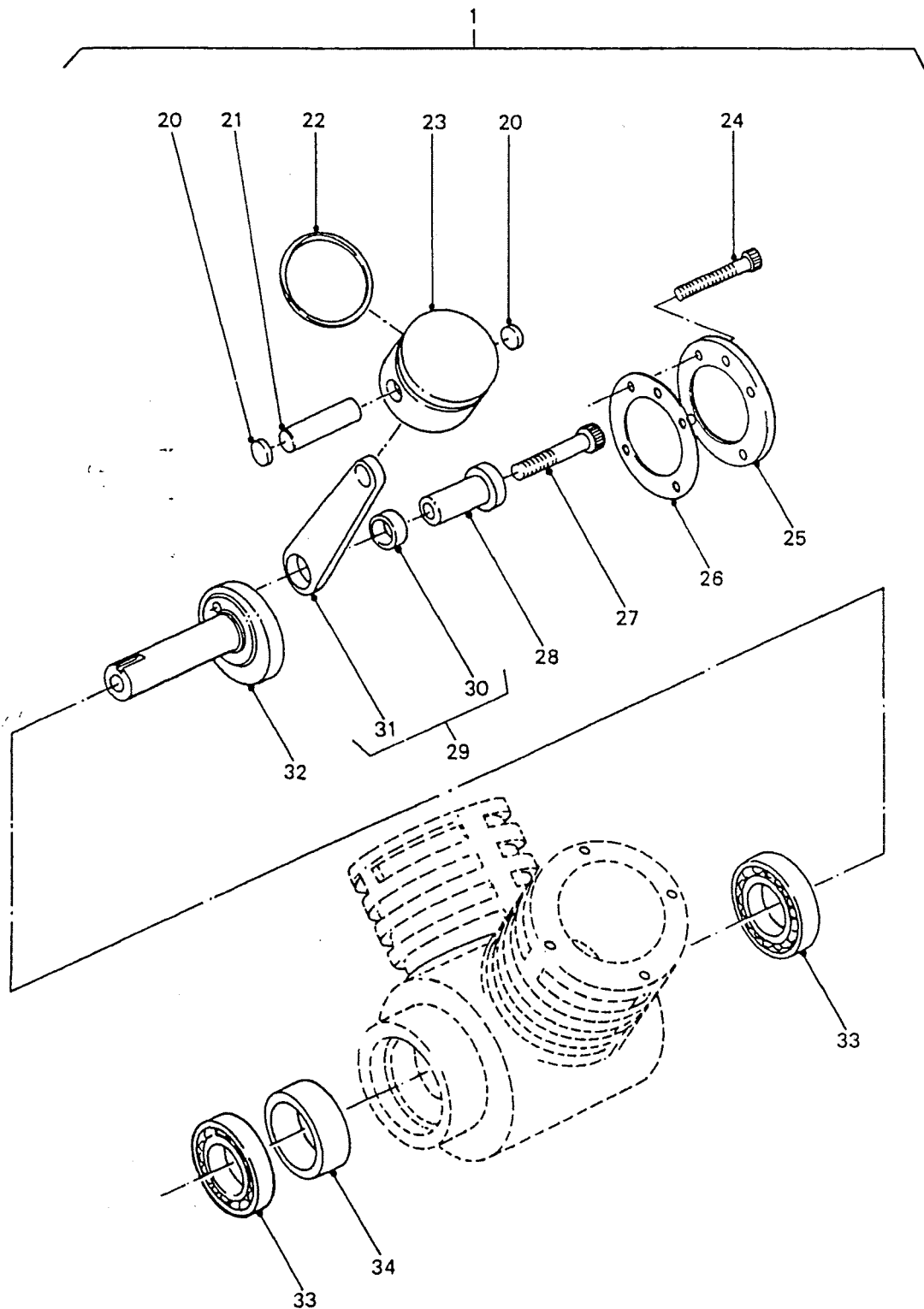
PERENTIE LAND ROVER PARTS LIST

ITEM	PART NO.	DESCRIPTION	NSN	DERIVATIVE CODE							CP
				2188	2189	2190	2191	2192	2194	2195	
1	HYL9790	AIR COMPRESSOR ASSY (INCL ITEMS 2, 5 TO 8,13 TO 29)	2530-66-128-5949								1
2	HYM449	MANIFOLD ASSY (INCL ITEMS 3-4)									1
3	HYM450	PLUG-SEALING									2
4	NSS										
5	HYL9754	VALVE-SAFETY	2530-66-128-5951								1
6	HYL9756	O.RING									2
7	HYL9753	BRIDGE-MANIFOLD									1
8	HYL9755	NIPPLE									1
9	HYG5637	CAP & CORD ASSY (INCL ITEMS 10 - 12)									1
10	HYG5636	CORD									1
11	MYH3591	CAP									1
12	WC104001L	WASHER-PLAIN									1
13	HYL9748	BOLT									8
14	HYL9758	HEAD-CYLINDER-LH									1
15	HYL9757	VALVE-CHECK	4820-66-128-5952								4
16	HYL9759	GASKET	5330-66-128-5953								4
17	HYL9760	PLATE-VALVE									2
18	HYL9764	CRANKCASE									1
19	HYL9751	HEAD-CYLINDER-RH									1

CHANGE POINT

ARN INTRODUCTION

GROUP ADA SHEET 2



**AIR COMPRESSOR ASSEMBLY
INTERNAL ITEMS**

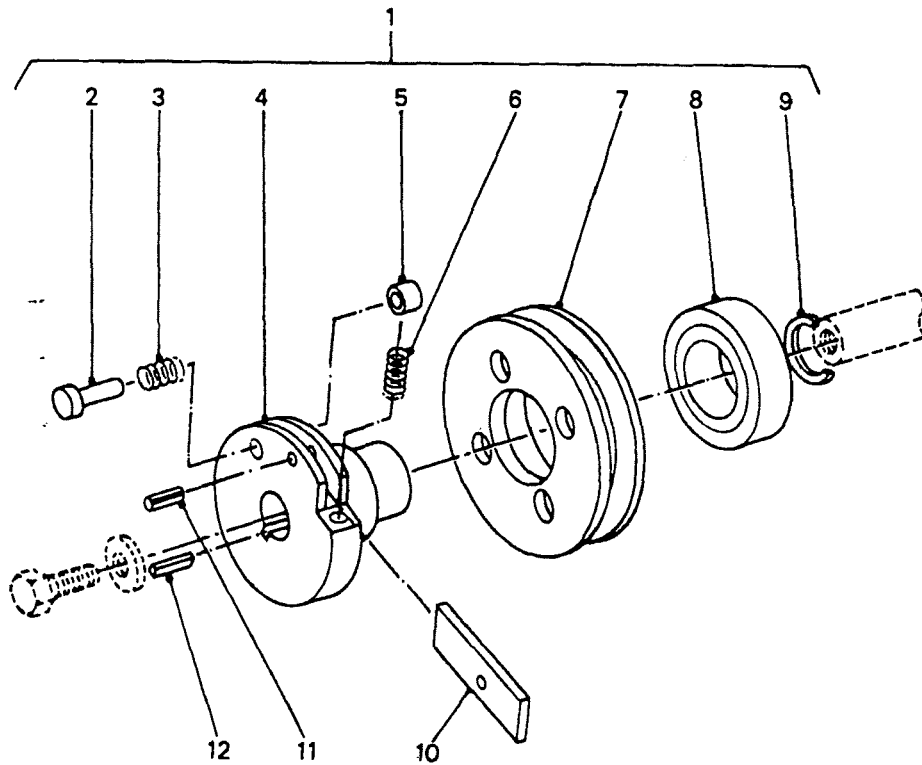
PERENTIE LAND ROVER PARTS LIST

<u>ITEM</u>	<u>ADA/1/2</u> <u>PART NO.</u>	<u>AIR COMPRESSOR ASSEMBLY - INTERNAL ITEMS</u> <u>DESCRIPTION</u>	<u>NSN</u>	<u>DERIVATIVE CODE</u>							<u>CP</u>
				<u>2188</u>	<u>2189</u>	<u>2190</u>	<u>2191</u>	<u>2192</u>	<u>2194</u>	<u>2195</u>	
20	HYL9740	PLUG									4
21	HYL9762	PIN-GUDGEON									2
22	HYL9761	RING-PISTON									2
23	HYL9763	PISTON									2
24	HYL9746	BOLT									4
25	HYL9745	COVER									1
26	HYL9747	GASKET									1
27	HYL9742	BOLT									1
28	HYL9743	PIN									1
29	HYL9744	CON ROD & BUSH ASSY (INCL. ITEMS 30-31)									2
30	NSS										
31	NSS										
32	HYL9741	CRANKSHAFT									1
33	HYL9750	BEARING									2
34	HYL9749	SPACER									1
	BYG2101	HOSE-AIR COMPRESSOR									1

CHANGE POINT

ARN INTRODUCTION

GROUP ADB



AIR COMPRESSOR CLUTCH ASSEMBLY

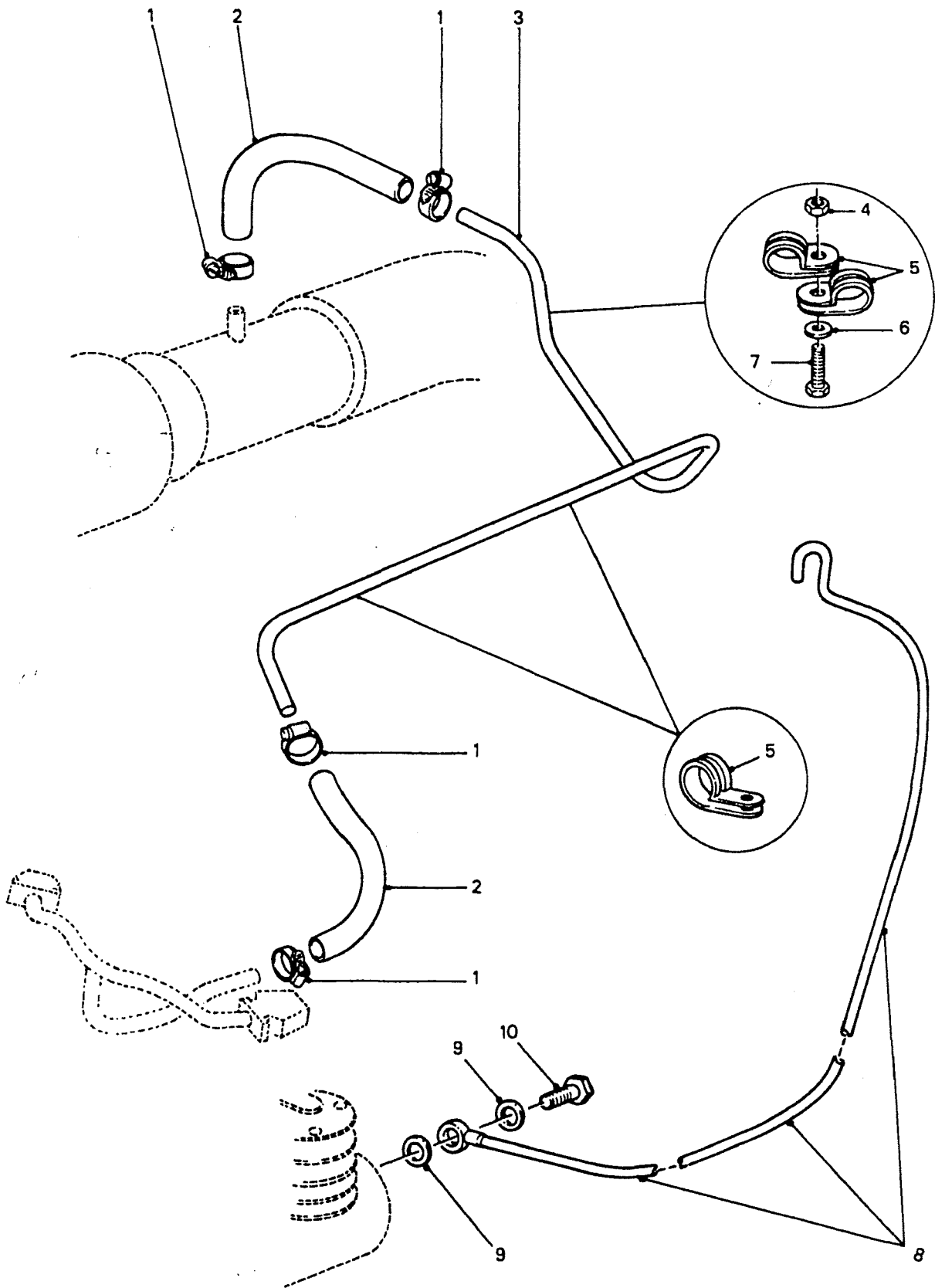
PERENTIE LAND ROVER PARTS LIST

<u>ITEM</u>	<u>PART NO.</u>	<u>DESCRIPTION</u>	<u>NSN</u>	<u>DERIVATIVE CODE</u>									
				<u>2188</u>	<u>2189</u>	<u>2190</u>	<u>2191</u>	<u>2192</u>	<u>2194</u>	<u>2195</u>	<u>2207</u>	<u>CP</u>	
1	HYL9796	CLUTCH ASSY	2520-66-128-5954										1
2	HYL9774	PIN-ENGAGING											1
3	HYL9771	SPRING											1
4	HYL9776	HEAD-DRIVE											1
5	HYL9773	BUSH											1
6	HYL9766	SPRING											1
7	HYL9775	PULLEY											1
8	HYL9770	BEARING											1
9	HYL9768	CIRCLIP-EXTERNAL											1
10	HYL9772	GATE-RELEASE											1
11	HYL9765	PIN-ROLL											1
12	HYL9769	KEY											1
	HYL9767	CIRCLIP-INTERNAL											1

CHANGE POINT

ARN INTRODUCTION

GROUP ADC



**AIR COMPRESSOR AIR INLET PIPE, HOSES
AND BREATHER**

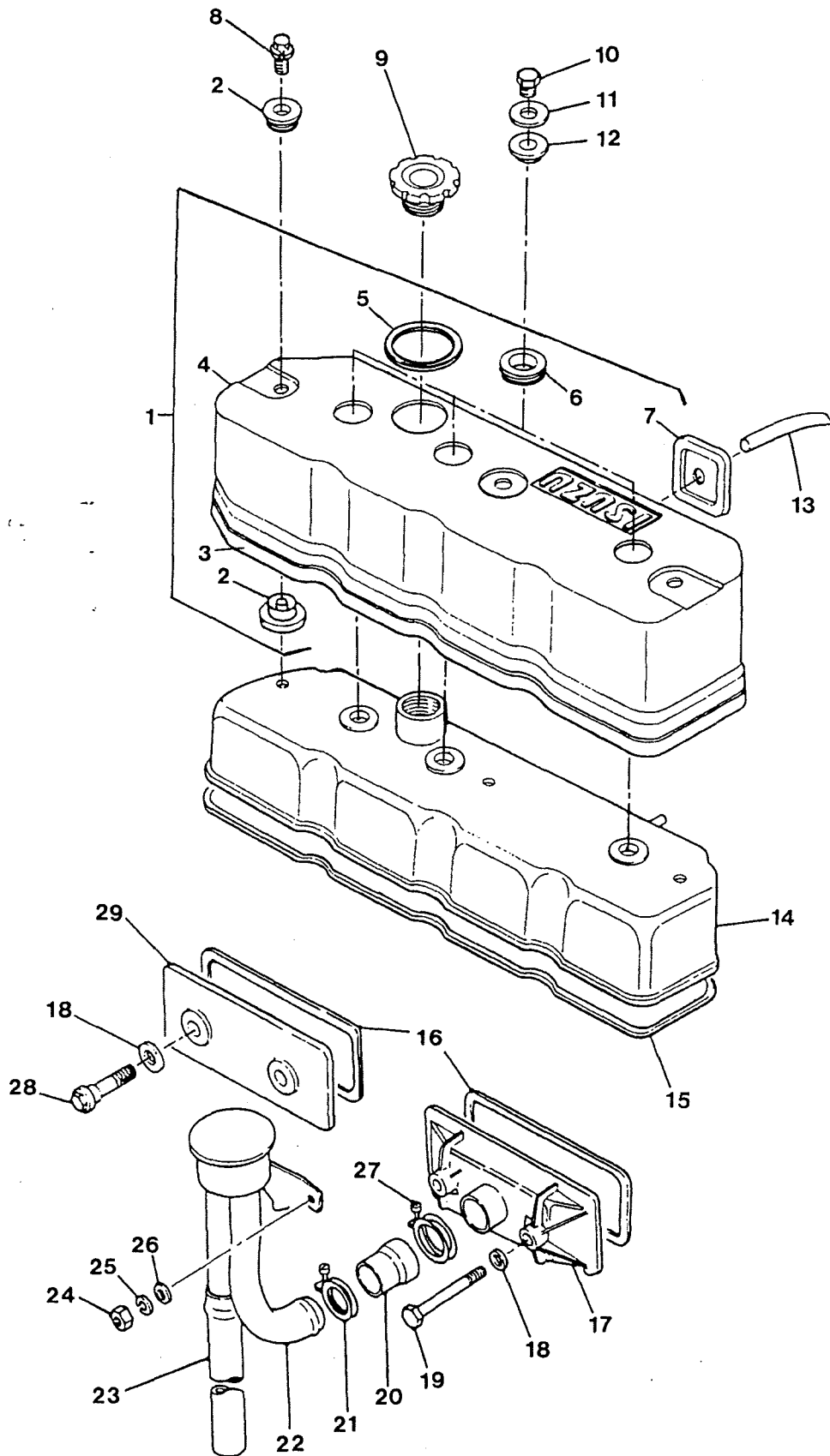
PERENTIE LAND ROVER PARTS LIST

<u>ITEM</u>	<u>PART NO.</u>	<u>DESCRIPTION</u>	<u>NSN</u>	<u>DERIVATIVE CODE</u>							<u>CP</u>	
				<u>2188</u>	<u>2189</u>	<u>2190</u>	<u>2191</u>	<u>2192</u>	<u>2194</u>	<u>2195</u>		<u>2207</u>
1	CJ600124	CLAMP-HOSE	4730-66-012-6544									4
2	MYH5295/170	HOSE-VACUUM	4720-66-128-4515									2
3	BYG2076	PIPE-INTAKE										1
4	NY106041L	NUT-NYLOC	5310-99-138-8423									1
5	MYH2697	CLIP	5340-66-128-4546									4
6	WA106041L	WASHER-PLAIN	5310-66-098-4440									1
7	FS106161	SCREW	5305-99-122-5360									1
8	FRC9429	PIPE-BREATHER										1
9	R599575	WASHER	4930-99-842-3988									2
10	R595478	BOLT-BANJO	4730-99-137-6379									1

CHANGE POINT

ARN INTRODUCTION

GROUP AE

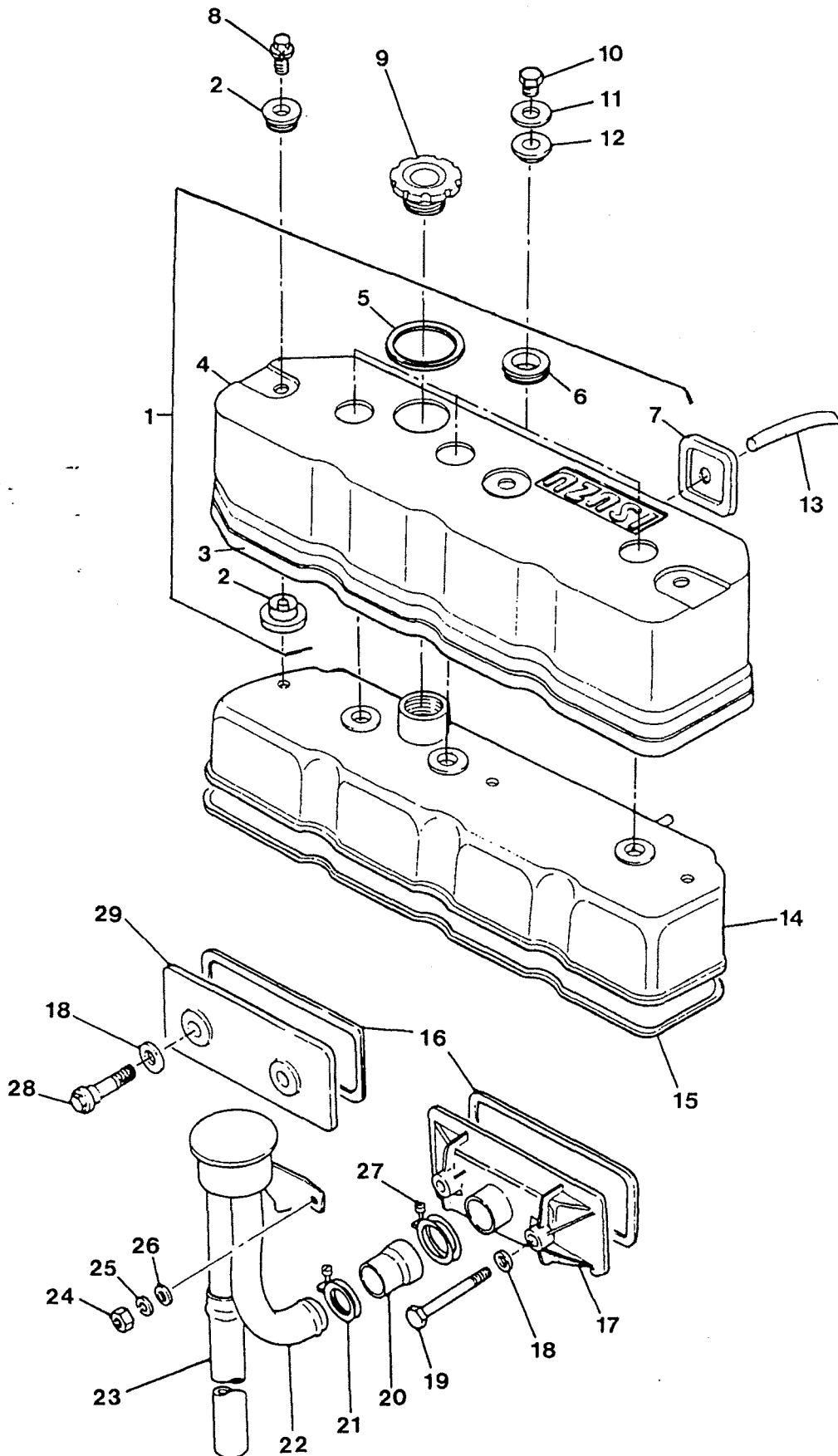


ROCKER COVER, SIDE PLATES AND BREATHER

PERENTIE LAND ROVER PARTS LIST

ITEM	AE /1/1 PART NO.	ROCKER COVER, SIDE PLATES AND BREATHER DESCRIPTION	NSN	DERIVATIVE CODE								CP
				2188	2189	2190	2191	2192	2194	2195	2207	
1	5193800241	COVER SOUND DEADENING(INCL ITEMS 2 - 7)	2815-66-128-4770	1	1	1	1	1	1	1	1	1
2	8944637750	MOUNTING-RUBBER	5330-66-128-5004	6	6	6	6	6	6	6	6	6
3	5193890061	RUBBER SEAL	5330-66-128-4518	1	1	1	1	1	1	1	1	1
4	NSS											
5	5111730211	RUBBER SEAL	5330-66-128-4508	1	1	1	1	1	1	1	1	1
6	1193890040	GROMMET	5325-66-128-4509	3	3	3	3	3	3	3	3	3
7	5111790750	RUBBER SEAL	5330-66-128-4519	1	1	1	1	1	1	1	1	1
8	9019108220	BOLT-COVER		3	3	3	3	3	3	3	3	3
9	1117510051	CAP-PROTECTIVE	5340-66-128-4530	1	1	1	1	1	1	1	1	1
10	5111750021	NUT-ROCKER COVER		3	3	3	3	3	3	3	3	3
11	9111791050	WASHER		3	3	3	3	3	3	3	3	3
12	9111790300	SEAL-ROCKER COVER NUT	5330-66-128-4973	3	3	3	3	3	3	3	3	3
13	8942092910	HOSE-BREATHER	4720-66-128-4531	1	1	1	1	1	1	1	1	1
14	5111702660	COVER ASSY-ROCKER		1	1	1	1	1	1	1	1	1
15	5111730160	SEAL-ROCKER COVER	5330-66-128-5386	1	1	1	1	1	1	1	1	1
16	8943673680	GASKET-SIDE COVER PLATES	5330-66-128-4588	2	2	2	2	2	2	2	2	2
17	5112901450	COVER ASSY-TAPPET CHAMBER		1	1	1	1	1	1	1	1	1
18	9095720080	WASHER-SEALING-SIDE COVER BOLTS	5330-66-128-4397	4	4	4	4	4	4	4	4	4
19	8941331860	BOLT-TAPPET CHAMBER		2	2	2	2	2	2	2	2	2
20	5093630030	HOSE	4720-66-128-4589	1	1	1	1	1	1	1	1	1
21	9099152811	CLAMP	4730-66-128-4396	1	1	1	1	1	1	1	1	1
22	5117401260	BREATHER ASSY-AIR		1	1	1	1	1	1	1	1	1
23	5093609270	HOSE DRAIN	4720-66-128-5008	1	1	1	1	1	1	1	1	1
24	11014031	NUT	5310-66-128-4421	2	2	2	2	2	2	2	2	2
25	9091505080	WASHER-LOCK	5310-66-128-4420	2	2	2	2	2	2	2	2	2

GROUP AE



ROCKER COVER, SIDE PLATES AND BREATHER

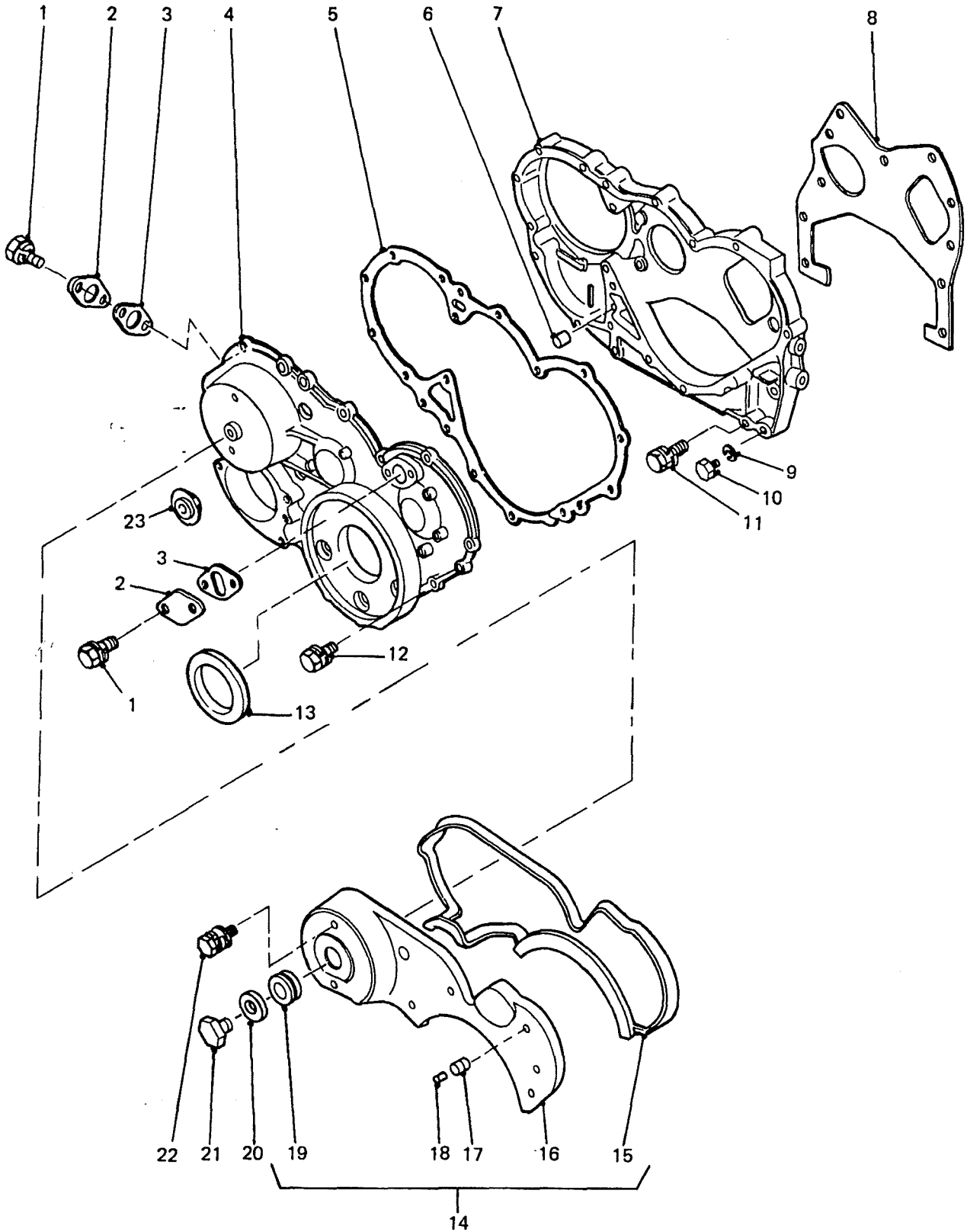
PERENTIE LAND ROVER PARTS LIST

<u>ITEM</u>	<u>PART NO.</u>	<u>DESCRIPTION</u>	<u>NSN</u>	<u>DERIVATIVE CODE</u>								<u>CP</u>
				<u>2188</u>	<u>2189</u>	<u>2190</u>	<u>2191</u>	<u>2192</u>	<u>2194</u>	<u>2195</u>	<u>2207</u>	
26	9091645080	WASHER-PLAIN	5310-66-128-4416	2	2	2	2	2	2	2	2	2
27	9099155121	CLAMP-HOSE	4730-66-128-4395	1	1	1	1	1	1	1	1	1
28	8944299950	BOLT-COVER		2	2	2	2	2	2	2	2	2
29	5112910210	COVER-CHAMBER		1	1	1	1	1	1	1	1	1

CHANGE POINT

ARN INTRODUCTION

GROUP AEA



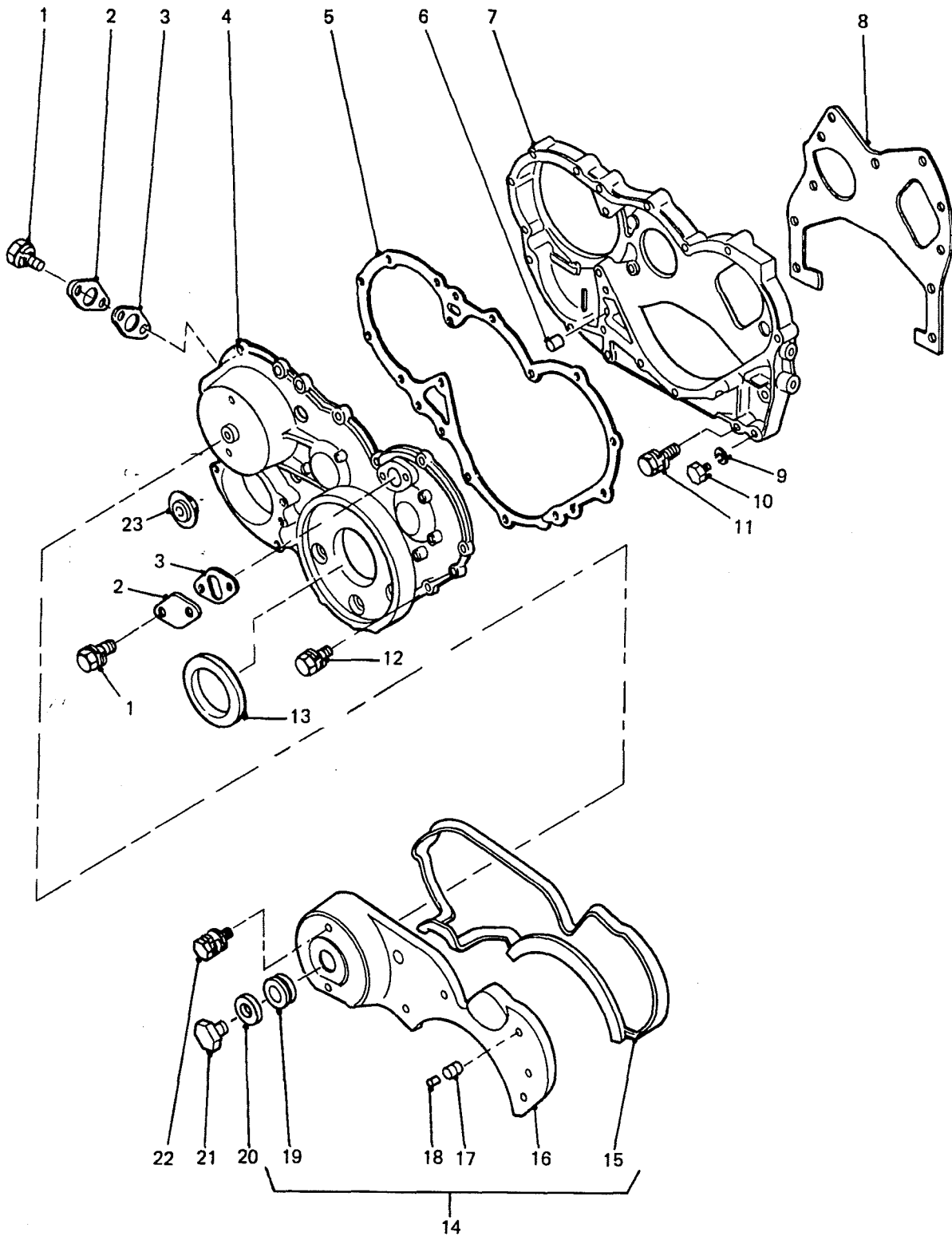
TIMING GEAR COVERS, GASKETS AND FITTINGS

PERENTIE LAND ROVER PARTS LIST

ITEM	AEA/1/1 PART NO.	TIMING GEAR COVERS,GASKETS AND FITTINGS DESCRIPTION	NSN	DERIVATIVE CODE							
				2188	2189	2190	2191	2192	2194	2195	2207 CP
1	9019006140	BOLT		4	4	4	4	4	4	4	4
2	5113210090	COVER		2	2	2	2	2	2	2	2
3	9113228020	PACKING	5330-01-226-6693	2	2	2	2	2	2	2	2
4	8944677110	COVER-TIMING		1	1	1	1	1	1	1	1
	5113210954	COVER-BLANKING-POWER STEERING PUMP		1	1	1	1	1	1	1	
	1096231430	O.RING-BLANKING PLATE TO COVER		1	1	1	1	1	1	1	
5	8943210160	GASKET-TIMING COVER	5330-66-128-4484	1	1	1	1	1	1	1	1
6	9112290580	DOWEL-GEAR CASE		1	1	1	1	1	1	1	1
7	8944509750	CASE-TIMING		1	1	1	1	1	1	1	1
8	8943210171	GASKET-TIMING CASE TO CYL. BLOCK	5330-66-128-4485	1	1	1	1	1	1	1	1
9	9095714100	GASKET	5310-66-128-4393	1	1	1	1	1	1	1	1
10	9092023100	PLUG-FILTER		1	1	1	1	1	1	1	1
11	5090000840	BOLT-COVER	5306-66-128-4453	2	2	2	2	2	2	2	2
	0812081628	BOLT	5306-66-128-4402	4	4	4	4	4	4	4	4
12	081208251E	BOLT	5306-66-128-5566	8	8	8	8	8	8	8	8
	5090000850	BOLT		1	1	1	1	1	1	1	1
13	1096253190	SEAL-OIL-TIMING CASE	5330-66-128-4483	1	1	1	1	1	1	1	1
14	5193800232	COVER ASSY (INCL ITEMS 15-19)		1	1	1	1	1	1	1	1
15	5193870051	SEAL RUBBER		1	1	1	1	1	1	1	1
16	NSS										
17	5193890020	RUBBER GROMMET		7	7	7	7	7	7	7	7
18	5193890090	BUSH-SPACER		7	7	7	7	7	7	7	7
19	1193890040	GROMMET	5325-66-128-4509	1	1	1	1	1	1	1	1
20	NSS										
21	9092023100	PLUG-FILTER		1	1	1	1	1	1	1	1
22	9019606160	BOLT		7	7	7	7	7	7	7	7

Dec 1999

GROUP AEA



TIMING GEAR COVERS, GASKETS AND FITTINGS

PERENTIE LAND ROVER PARTS LIST

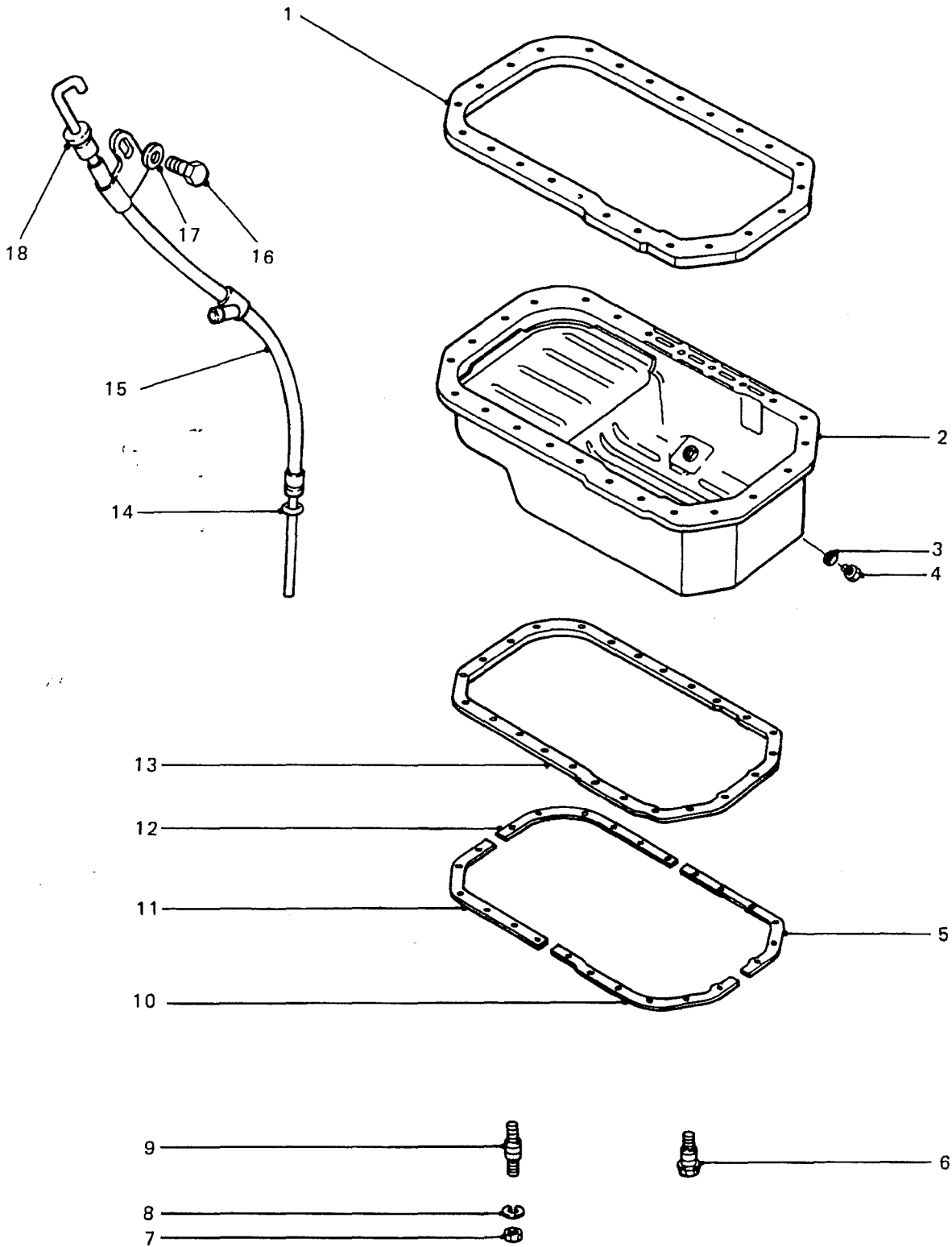
AEA/1/1 TIMING GEAR COVERS,GASKETS AND FITTINGS

<u>ITEM</u>	<u>PART NO.</u>	<u>DESCRIPTION</u>	<u>NSN</u>	<u>DERIVATIVE CODE</u>								
				<u>2188</u>	<u>2189</u>	<u>2190</u>	<u>2191</u>	<u>2192</u>	<u>2194</u>	<u>2195</u>	<u>2207</u>	<u>CP</u>
23	8942223091	GROMMET RUBBER		1	1	1	1	1	1	1	1	1

CHANGE POINT

ARN INTRODUCTION

GROUP AEB



ENGINE OIL PAN, GASKET AND DIPSTICK

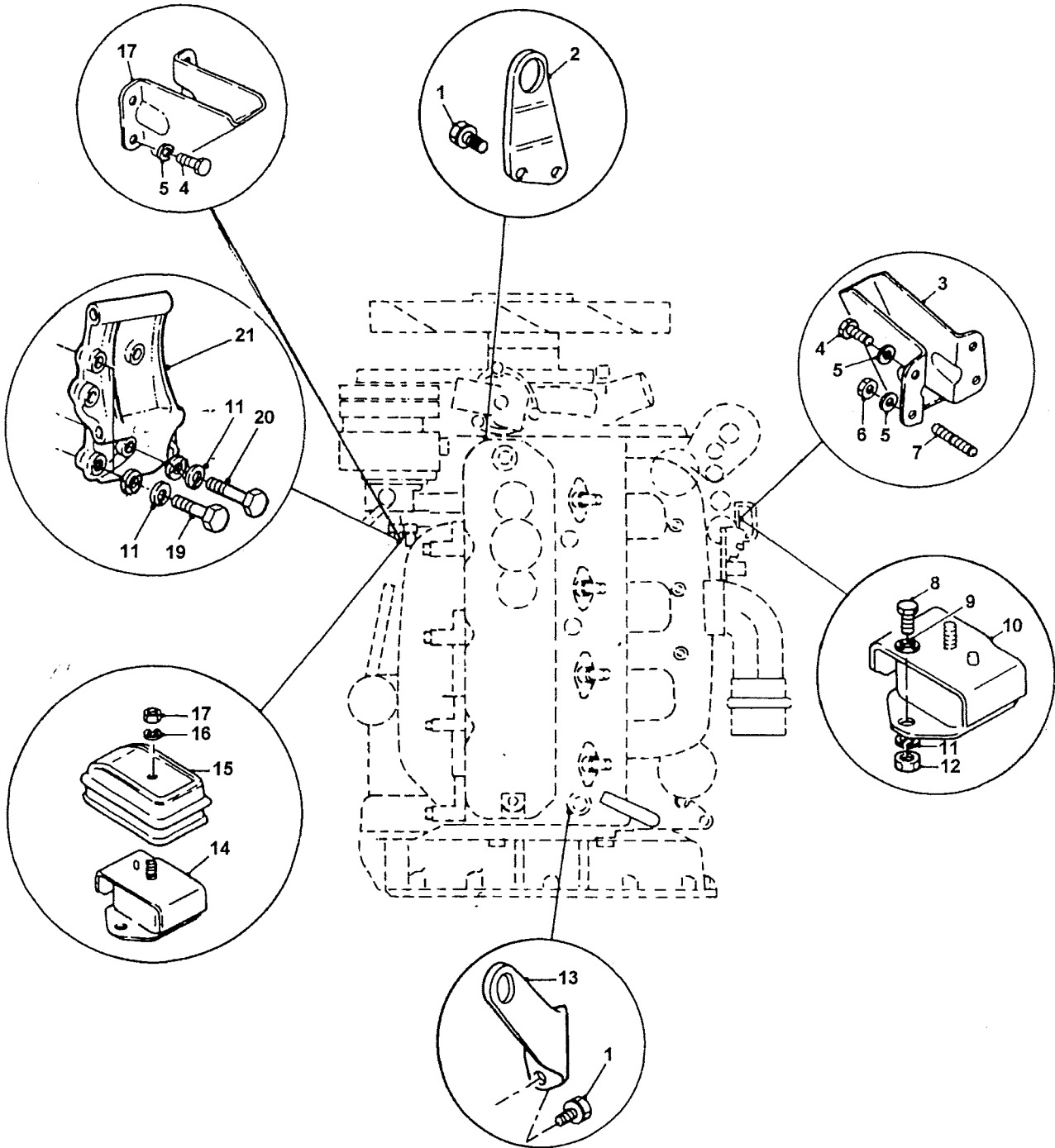
PERENTIE LAND ROVER PARTS LIST

ITEM	AEB/1/1 PART NO.	ENGINE OIL PAN, GASKET AND DIPSTICK DESCRIPTION	NSN	DERIVATIVE CODE								
				2188	2189	2190	2191	2192	2194	2195	2207	CP
1	5113670630	GASKET-SUMP TO CYL. BLOCK	5330-66-128-4459	1	1	1	1	1	1	1	1	1
2	8944663610	SUMP-OIL	2815-66-128-4771	1	1	1	1	1	1	1	1	1
3	8941075640	WASHER-SUMP PLUG	5310-66-128-4433	1	1	1	1	1	1	1	1	1
4	8941075570	PLUG-SUMP	5365-66-128-4432	1	1	1	1	1	1	1	1	1
5	8944038930	PLATE-SUMP-RH-REAR	2815-66-128-4775	1	1	1	1	1	1	1	1	1
6	5113690954	BOLT ASSY-OIL-PAN	5306-66-128-4431	16	16	16	16	16	16	16	16	16
7	11014031	NUT	5310-66-128-4421	8	8	8	8	8	8	8	8	8
7	0831022083	NUT-ROCKER	5310-66-128-4414	8	8	8	8	8	8	8	8	8
8	9091505080	WASHER-LOCK	5310-66-128-4420	8	8	8	8	8	8	8	8	8
9	5113691010	STUD-OIL PAN	5307-66-128-4429	8	8	8	8	8	8	8	8	8
10	8944038940	PLATE-SUMP-LH-REAR	2815-66-128-4776	1	1	1	1	1	1	1	1	1
11	8942581212	PLATE-SUMP-LH-FRONT	2815-66-128-4777	1	1	1	1	1	1	1	1	1
12	8942581192	PLATE-SUMP-RH-FRONT	2815-66-128-4778	1	1	1	1	1	1	1	1	1
13	5113670640	GASKET-PLATES TO SUMP	5330-66-128-4984	1	1	1	1	1	1	1	1	1
14	5096230020	O RING	5330-66-128-4428	1	1	1	1	1	1	1	1	1
15	8941509980	TUBE-DIPSTICK	2815-66-128-5037	1	1						1	1
15	AYG449	TUBE-DIPSTICK	4710-66-128-5291			1	1	1	1			
16	8942008330	BOLT-BLOCK	5305-66-128-4426	1	1	1	1	1	1	1	1	1
17	9091605080	WASHER-PLAIN	5310-66-128-4427	1	1	1	1	1	1	1	1	1
18	8944723200	DIPSTICK	6680-66-128-4780	1	1	1	1	1	1	1	1	1

CHANGE POINT

ARN INTRODUCTION

GROUP AF



ENGINE MOUNTINGS AND LIFTING BRACKETS

PERENTIE LAND ROVER PARTS LIST

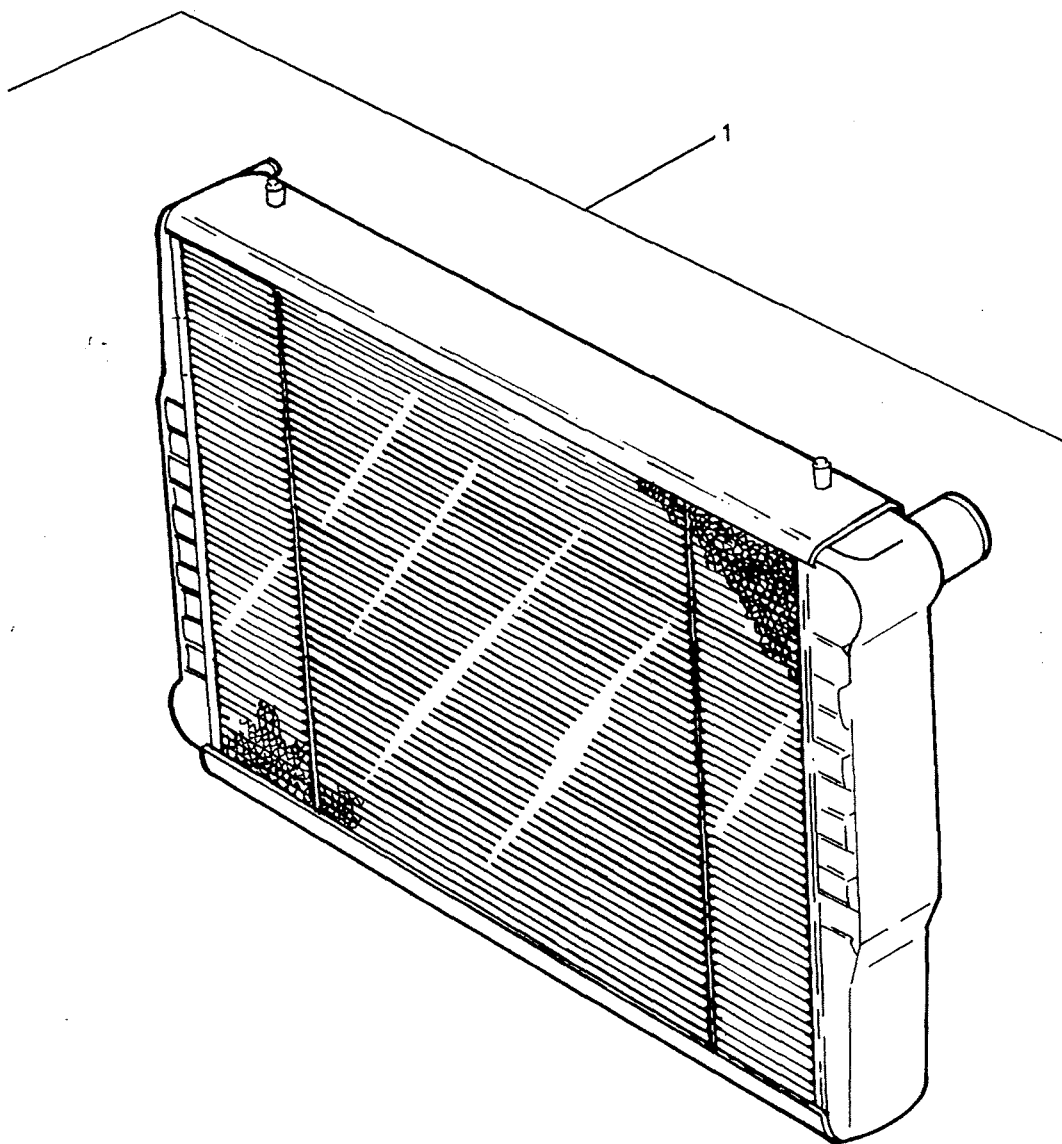
ITEM	AF /1/1 PART NO.	ENGINE MOUNTINGS AND LIFTING BRACKETS DESCRIPTION	NSN	DERIVATIVE CODE								CP
				2188	2189	2190	2191	2192	2194	2195	2207	
1	9019110200	BOLT	5306-66-128-4438	2	2	2	2	2	2	2	2	2
2	5117770640	BRACKET-ENGINE-LIFTING	2990-66-128-5039	1	1	1	1	1	1	1	1	1
3	9117712470	BRACKET ENGINE MOUNT-FRONT-RH	2510-66-128-5038	1	1	1	1	1	1	1	1	1
4	8943134650	BOLT-MOUNTING	5306-66-128-5637	7	7	4	4	4	4	4	7	7
5	089151401A	WASHER-LOCK	5310-66-128-4424	8	8	4	4	4	4	4	8	8
6	9091105100	NUT	5310-66-128-4520	1	1	1	1	1	1	1	1	1
7	1093000530	STUD-RH MOUNT BRACKET TO CYL. BLOCK		1	1	1	1	1	1	1	1	1
8	SH110251L	SCREW		4	4	4	4	4	4	4	4	4
9	WA110061L	WASHER-PLAIN	5310-99-122-6476	4	4	4	4	4	4	4	4	4
10	5532150310	MOUNTING-ENGINE-RH	5340-66-128-4262	1	1	1	1	1	1	1	1	1
11	WL110001L	WASHER-LOCK	5310-99-138-9228	4	4	11	11	11	11	11	4	4
12	NH110041	NUT	5310-99-122-5297	3	3	3	3	3	3	3	3	3
13	AYG352	BRACKET ENGINE LIFTING-REAR	2990-66-128-5040	1	1	1	1	1	1	1	1	1
14	5532150320	MOUNTING-ENGINE-LH	5340-66-128-4263	1	1	1	1	1	1	1	1	1
15	9532196020	COVER-MOUNTING	5340-66-128-5011	1	1	1	1	1	1	1	1	1
16	9091506120	WASHER-LOCK	5310-66-128-4435	2	2	2	2	2	2	2	2	2
17	9991105120	NUT	5310-66-128-4375	2	2	2	2	2	2	2	2	2
18	AYG2773	BRACKET-ENGINE MOUNT-FRONT-LH	2510-66-128-5041	1	1						1	1
19	SH210301	SCREW	5305-66-128-5289			6	6	6	6			
20	BH210111	BOLT	5306-66-128-5313			1	1	1	1			
21	AYG464	BRACKET-ENGINE MOUNT-LH & 100 AMP ALTERNATOR MOUNT	5340-66-128-5314			1	1	1	1			

CHANGE POINT

ARN INTRODUCTION

Dec 1999

GROUP BA



RADIATOR ASSEMBLY

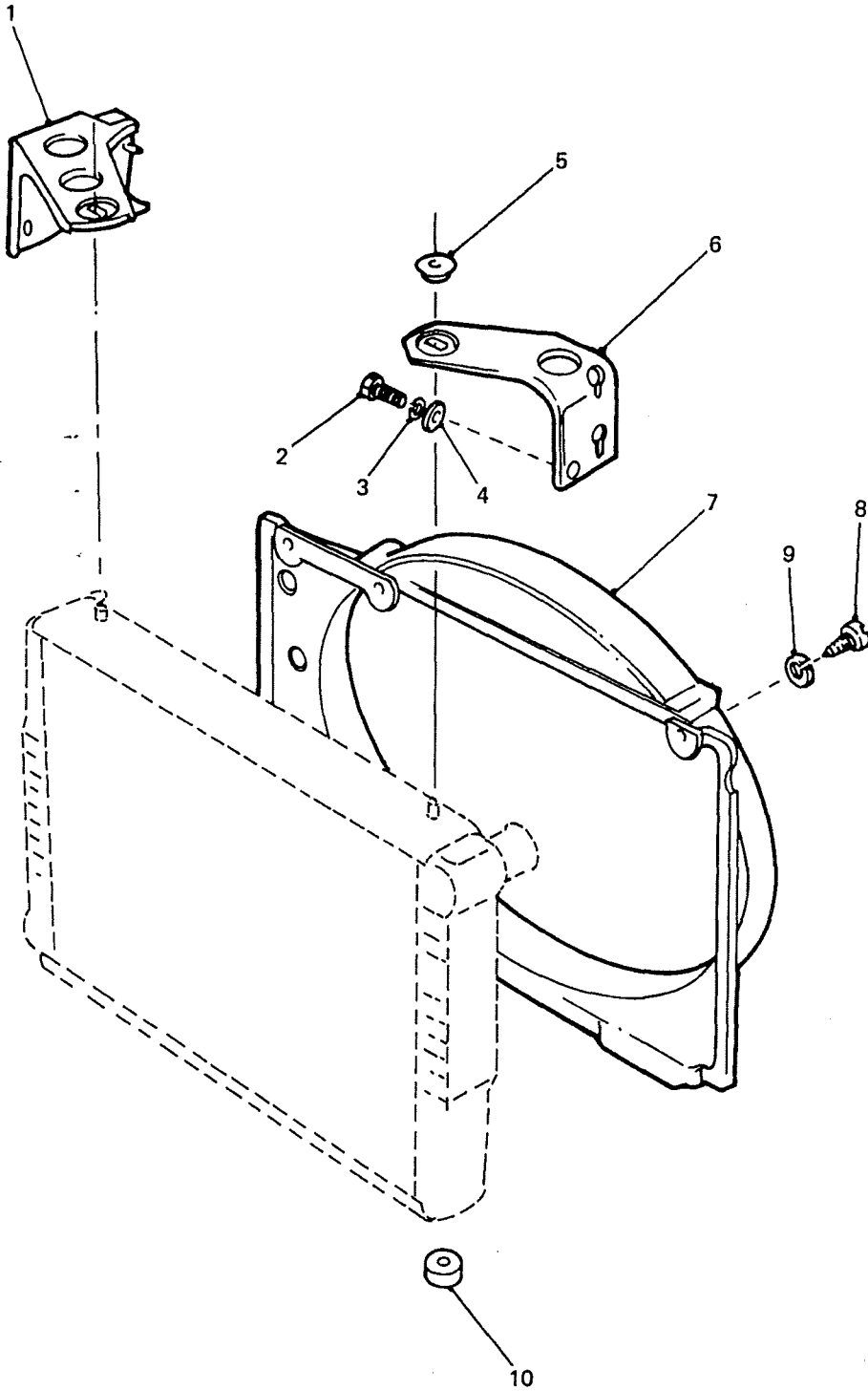
PERENTIE LAND ROVER PARTS LIST

BA /1/1		RADIATOR ASSEMBLY			DERIVATIVE CODE							
<u>ITEM</u>	<u>PART NO.</u>	<u>DESCRIPTION</u>	<u>NSN</u>	<u>2188</u>	<u>2189</u>	<u>2190</u>	<u>2191</u>	<u>2192</u>	<u>2194</u>	<u>2195</u>	<u>2207</u>	<u>CP</u>
1	AYG2739	RADIATOR	2930-66-128-4236	1	1	1	1	1	1	1	1	1

CHANGE POINT

ARN INTRODUCTION

GROUP BAA



RADIATOR FITTINGS AND SHROUD

PERENTIE LAND ROVER PARTS LIST

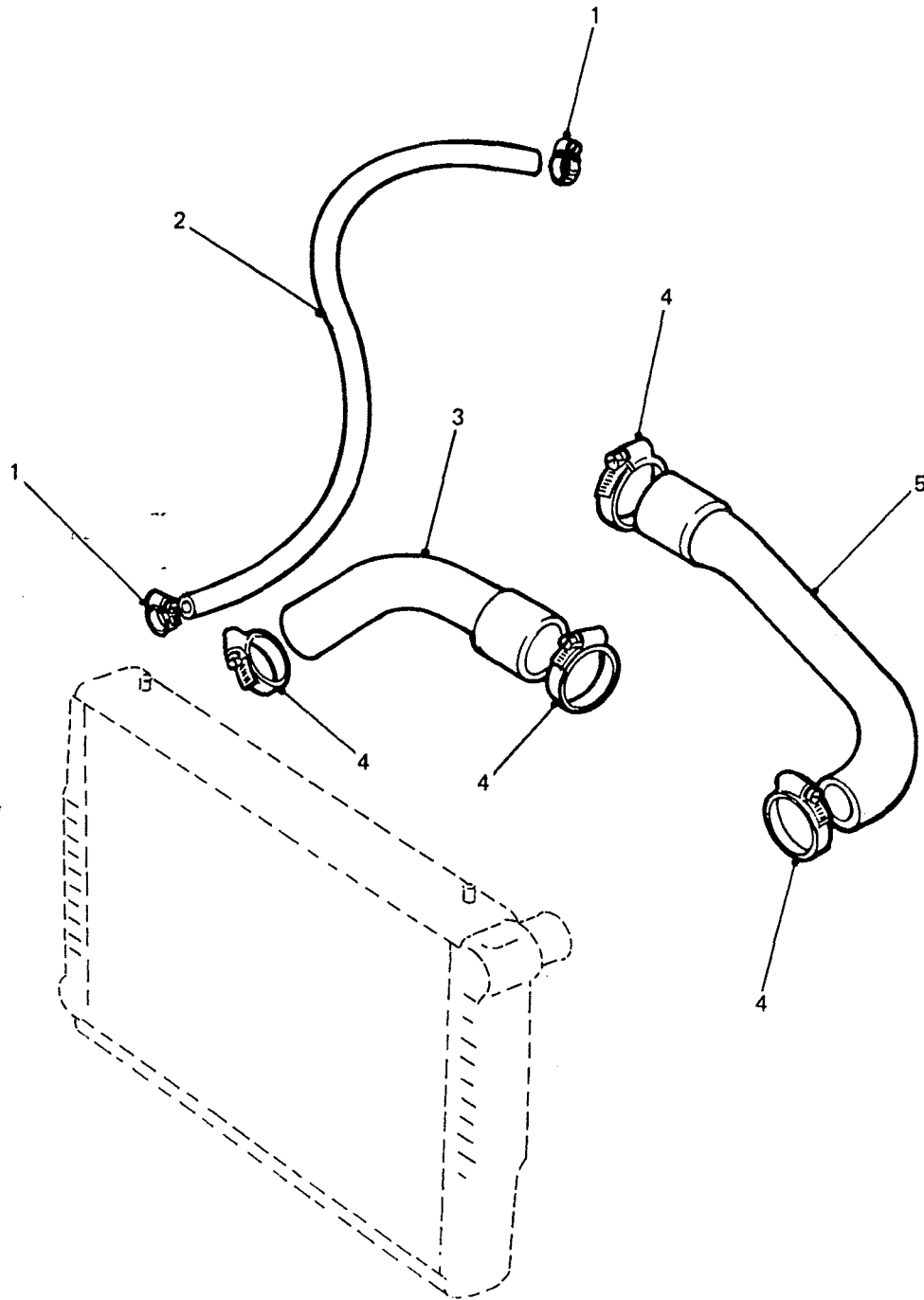
BAA/1/1 RADIATOR FITTINGS AND SHROUD

<u>ITEM</u>	<u>PART NO.</u>	<u>DESCRIPTION</u>	<u>NSN</u>	<u>DERIVATIVE CODE</u>								
				<u>2188</u>	<u>2189</u>	<u>2190</u>	<u>2191</u>	<u>2192</u>	<u>2194</u>	<u>2195</u>	<u>2207</u>	<u>CP</u>
1	HYG3211	BRACKET-RADIATOR	2990-66-128-5042	1	1	1	1	1	1	1	1	1
2	FS106201	SCREW	5305-99-122-5361	6	6	6	6	6	6	6	6	6
3	WL106001L	WASHER-LOCK	5310-99-137-9232	6	6	6	6	6	6	6	6	6
4	WC106041L	WASHER-PLAIN	5310-99-122-3411	6	6	6	6	6	6	6	6	6
5	NRC5544	BUSH-UPPER	5325-99-721-3635	2	2	2	2	2	2	2	2	2
6	HYG6321	BRACKET-LH		1	1	1	1	1	1	1	1	1
7	AYG2620	FAN COWL - RADIATOR	2930-66-128-4782	1	1	1	1	1	1	1	1	1
8	R562979	SCREW	5305-99-136-9510	5	5	5	5	5	5	5	5	5
9	WS600041L	WASHER	5310-99-100-7824	5	5	5	5	5	5	5	5	5
10	R572312	GROMMET-RADIATOR-LOWER	2930-99-825-6069	2	2	2	2	2	2	2	2	2

CHANGE POINT

ARN INTRODUCTION

GROUP BAB



RADIATOR HOSES

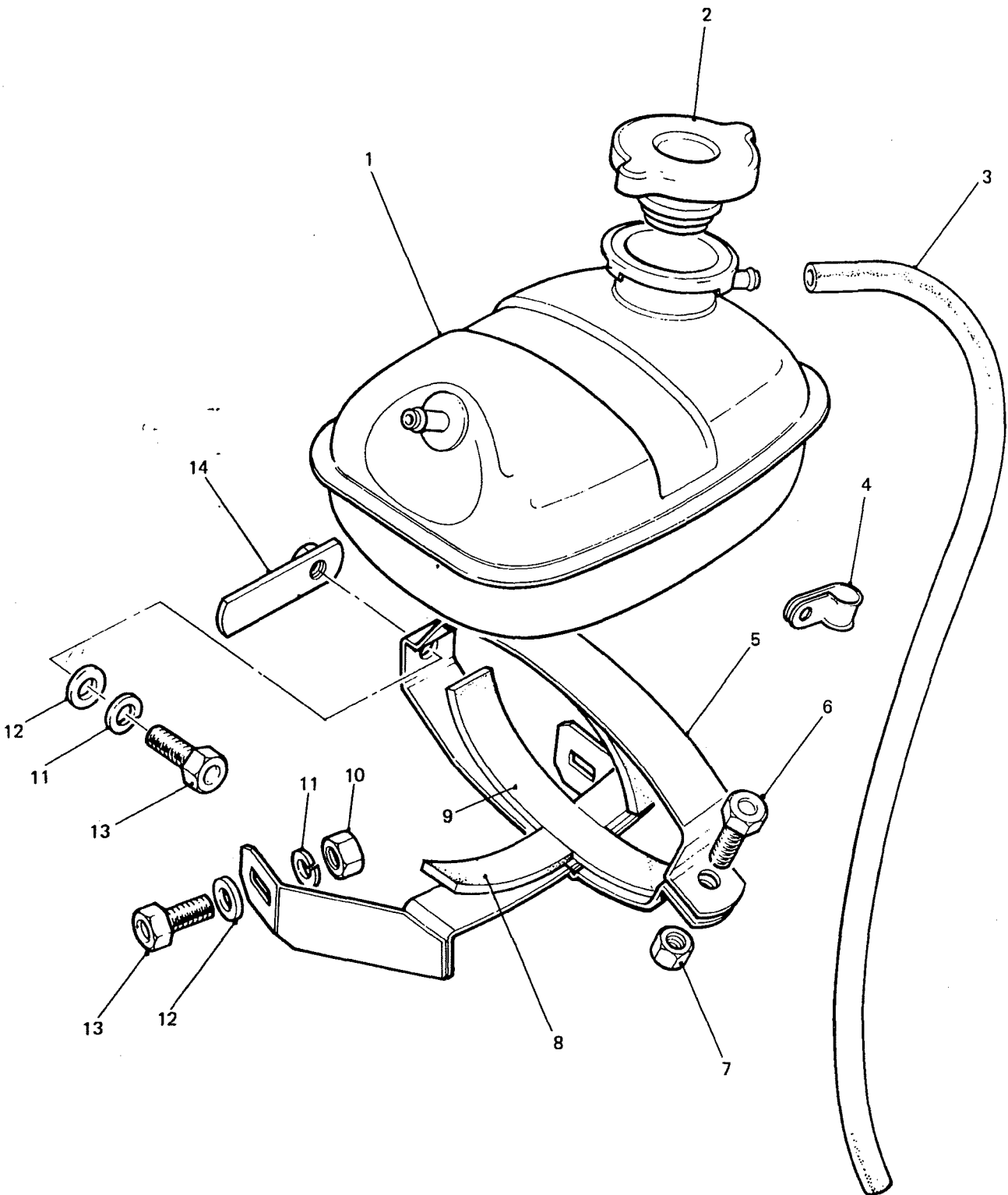
PERENTIE LAND ROVER PARTS LIST

<u>ITEM</u>	<u>PART NO.</u>	<u>DESCRIPTION</u>	<u>NSN</u>	<u>DERIVATIVE CODE</u>								<u>CP</u>
				<u>2188</u>	<u>2189</u>	<u>2190</u>	<u>2191</u>	<u>2192</u>	<u>2194</u>	<u>2195</u>	<u>2207</u>	
1	AAU1979	CLIP-EXPANSION HOSE		2	2	2	2	2	2	2	2	
2	NRC9726	HOSE-EXPANSION TANK	4720-66-128-5009	1	1	1	1	1	1	1	1	
3	AYG2464	RADIATOR HOSE-BOTTOM		1	1	1	1	1	1	1	1	
4	CJ600384L	CLAMP-HOSE	4730-66-064-5962	1	1	1	1	1	1	1	1	
4	CJ600304L	CLAMP-HOSE	2805-99-796-6121	3	3	3	3	3	3	3	3	
5	AYG2463	RADIATOR HOSE-TOP	4720-66-128-4286	1	1	1	1	1	1	1	1	

CHANGE POINT

ARN INTRODUCTION

GROUP BB



EXPANSION TANK ASSEMBLY AND CARRIER

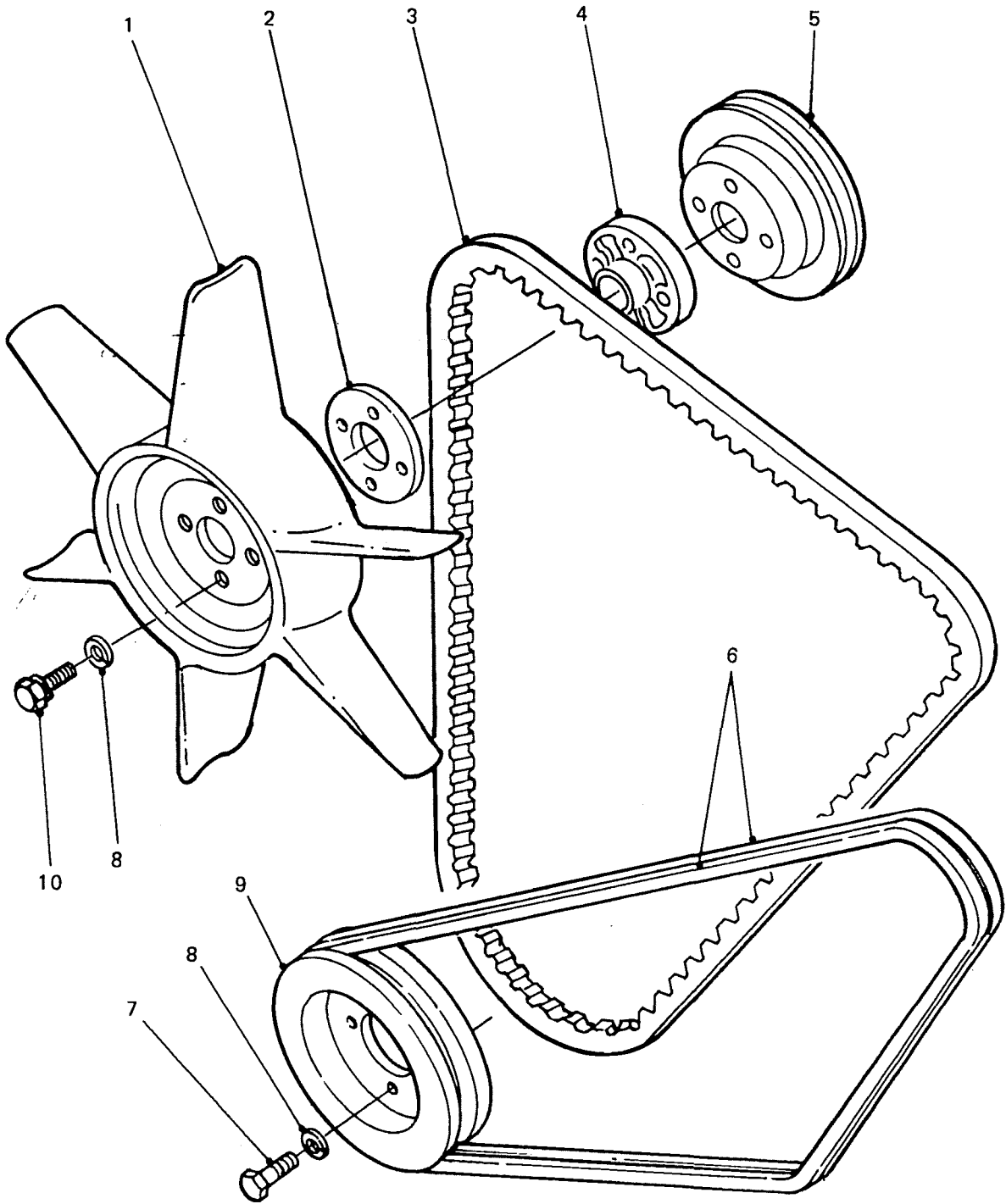
PERENTIE LAND ROVER PARTS LIST

ITEM	PART NO.	DESCRIPTION	NSN	DERIVATIVE CODE								
				2188	2189	2190	2191	2192	2194	2195	2207	CP
1	NRC7582	TANK-EXPANSION	2930-99-721-4360	1	1	1	1	1	1	1	1	1
2	PCD100150	CAP-RADIATOR	2930-99-792-5808	1	1	1	1	1	1	1	1	1
3	R564724	HOSE-OVERFLOW	4710-99-829-4551	1	1	1	1	1	1	1	1	1
4	AEU1448	CLIP-HOSE TO WING		1	1	1	1	1	1	1	1	1
5	NRC6692	CARRIER EXPANSION TANK		1	1	1	1	1	1	1	1	1
6	FS106201	SCREW	5305-99-122-5361	1	1	1	1	1	1	1	1	1
7	NY106041L	NUT-NYLOC	5310-99-138-8423	1	1	1	1	1	1	1	1	1
8	NRC5295	STRIP-INSULATION		2	2	2	2	2	2	2	2	2
9	NRC5294	STRIP-INSULATION		2	2	2	2	2	2	2	2	2
10	NH106047L	NUT		2	2	2	2	2	2	2	2	2
11	WL106007L	WASHER-LOCK		3	3	3	3	3	3	3	3	3
12	WC106047	WASHER-CARRIER		5	5	5	5	5	5	5	5	5
13	SH106207	SCREW	5305-66-128-5010	3	3	3	3	3	3	3	3	3
14	NRC7133	NUT PLATE		1	1	1	1	1	1	1	1	1

CHANGE POINT

ARN INTRODUCTION

GROUP BC/1



FAN AND DRIVE PULLEY/BELTS

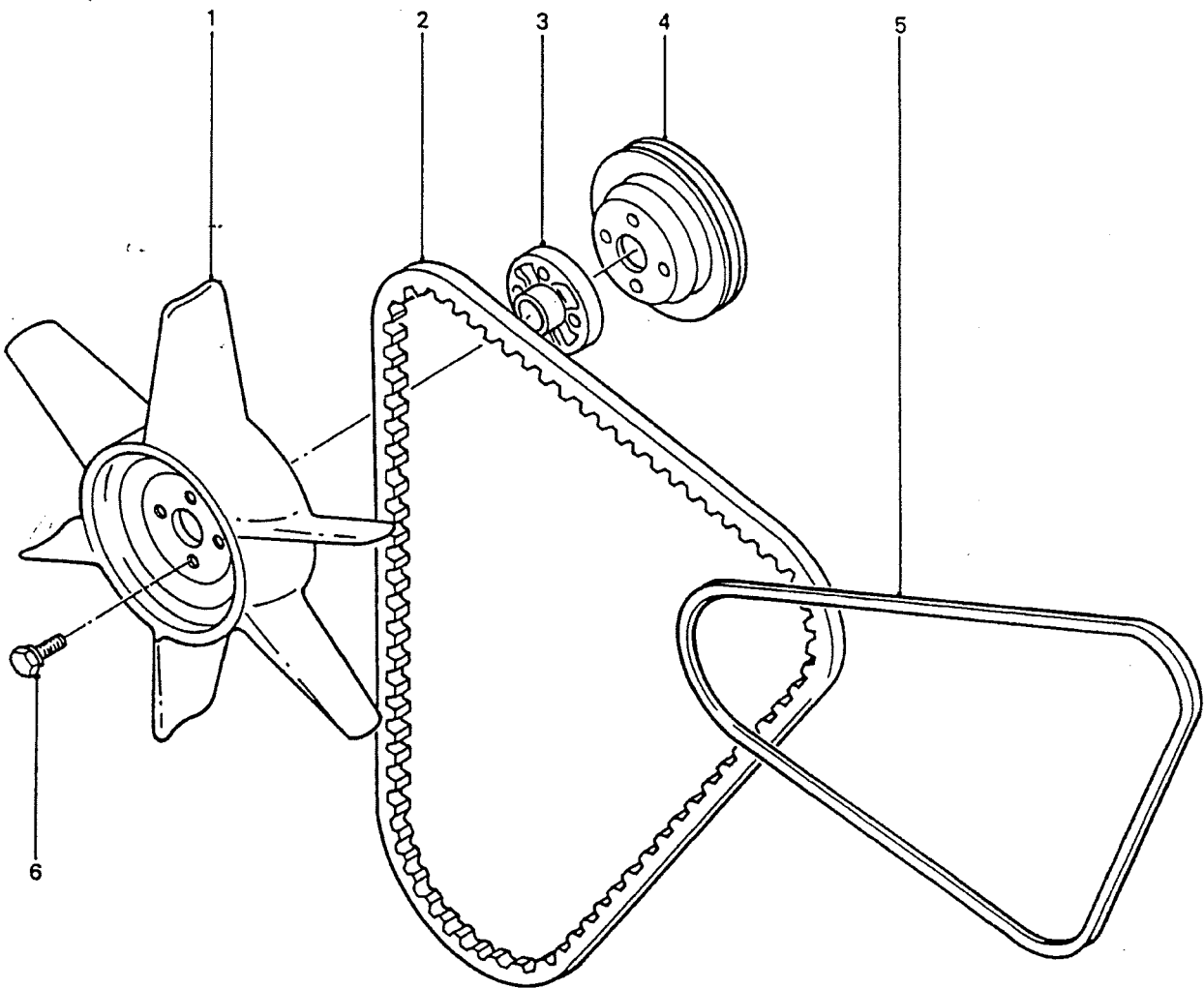
PERENTIE LAND ROVER PARTS LIST

<u>ITEM</u>	<u>BC /1/1</u> <u>PART NO.</u>	<u>FAN AND DRIVE PULLEY/BELTS</u> <u>DESCRIPTION</u>	<u>NSN</u>	<u>DERIVATIVE CODE</u>								
				<u>2188</u>	<u>2189</u>	<u>2190</u>	<u>2191</u>	<u>2192</u>	<u>2194</u>	<u>2195</u>	<u>2207</u>	<u>CP</u>
1	8943673631	FAN-COOLING		1	1						1	1
2	1136713440	BELT-FAN/70AMP ALT.	3030-66-128-4283	1	1						1	1
3	5136420510	SPACER-FAN		1	1						1	1
4	5136630311	PULLEY FAN	3020-66-128-4364	1	1						1	1
4	MYH3508	PULLEY-TWIN GROOVE - 12V, 70A ALT. & TYRE PUMP COMP.	3020-66-128-5956									1
5	MYH3584	BELT-COMPRESSOR	3030-66-132-4829									1
6	9019108350	BOLT	5306-66-128-4399	4	4						4	4

CHANGE POINT

ARN INTRODUCTION

GROUP BC/2



**FAN AND DRIVE PULLEY/BELTS
- FFR ONLY**

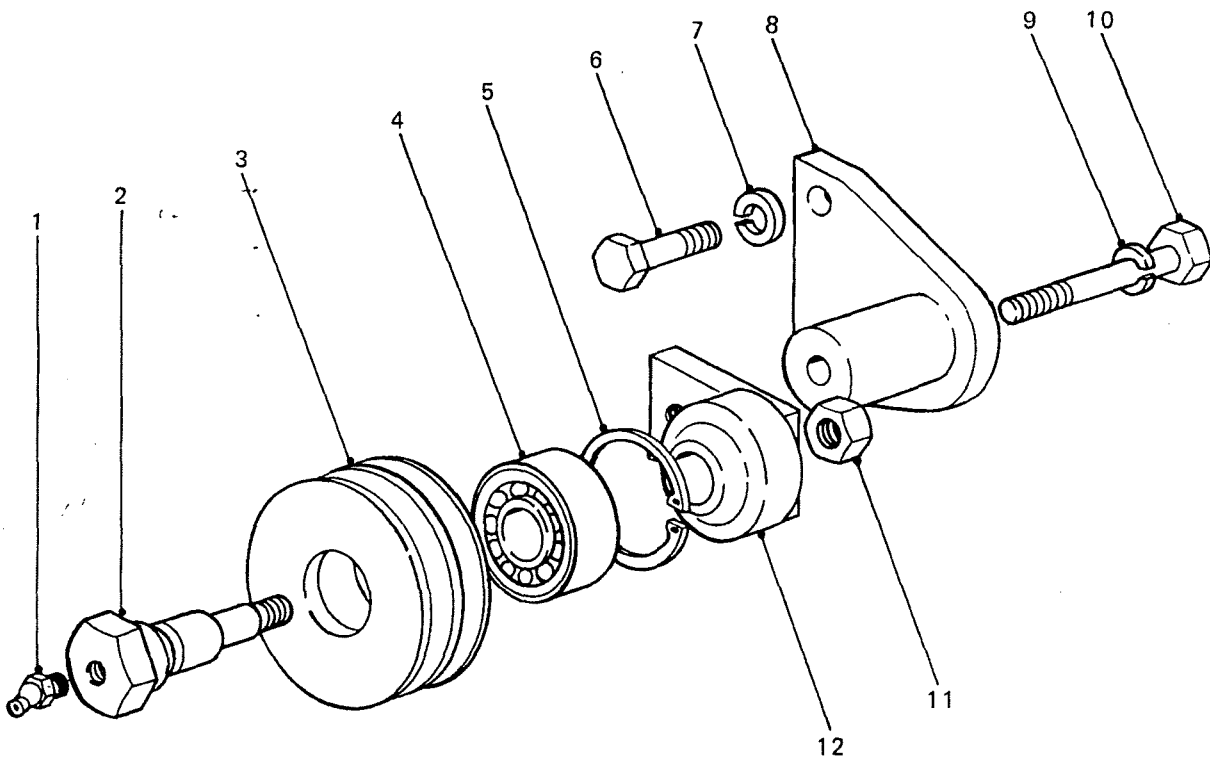
PERENTIE LAND ROVER PARTS LIST

<u>ITEM</u>	<u>PART NO.</u>	<u>DESCRIPTION</u>	<u>NSN</u>	<u>DERIVATIVE CODE</u>									
				<u>2188</u>	<u>2189</u>	<u>2190</u>	<u>2191</u>	<u>2192</u>	<u>2194</u>	<u>2195</u>	<u>2207</u>	<u>CP</u>	
1	8943673631	FAN-COOLING				1	1	1	1				
2	AYG2680	SPACER				1	1	1	1				
3	AYG441	BELT-FAN/70 AMP ALT.	3030-66-128-5238			1	1	1	1				
4	5136420510	SPACER-FAN				1	1	1	1				
5	302066128436	PULLEY-FAN	3020-66-128-4364			1	1	1	1				
6	AYG2751	BELT-100 AMP ALTERNATOR	3030-66-128-5059			2	2	2	2				
7	FS108201	SCREW				4	4	4	4				
8	WL108001L	WASHER-LOCK	5310-99-137-9231			8	8	8	8				
9	AYG400	PULLEY-TWIN	3020-66-128-5239			1	1	1	1				
10	SH108401L	SCREW	5306-66-097-0722			4	4	4	4				

CHANGE POINT

ARN INTRODUCTION

GROUP BCA



JOCKEY PULLEY

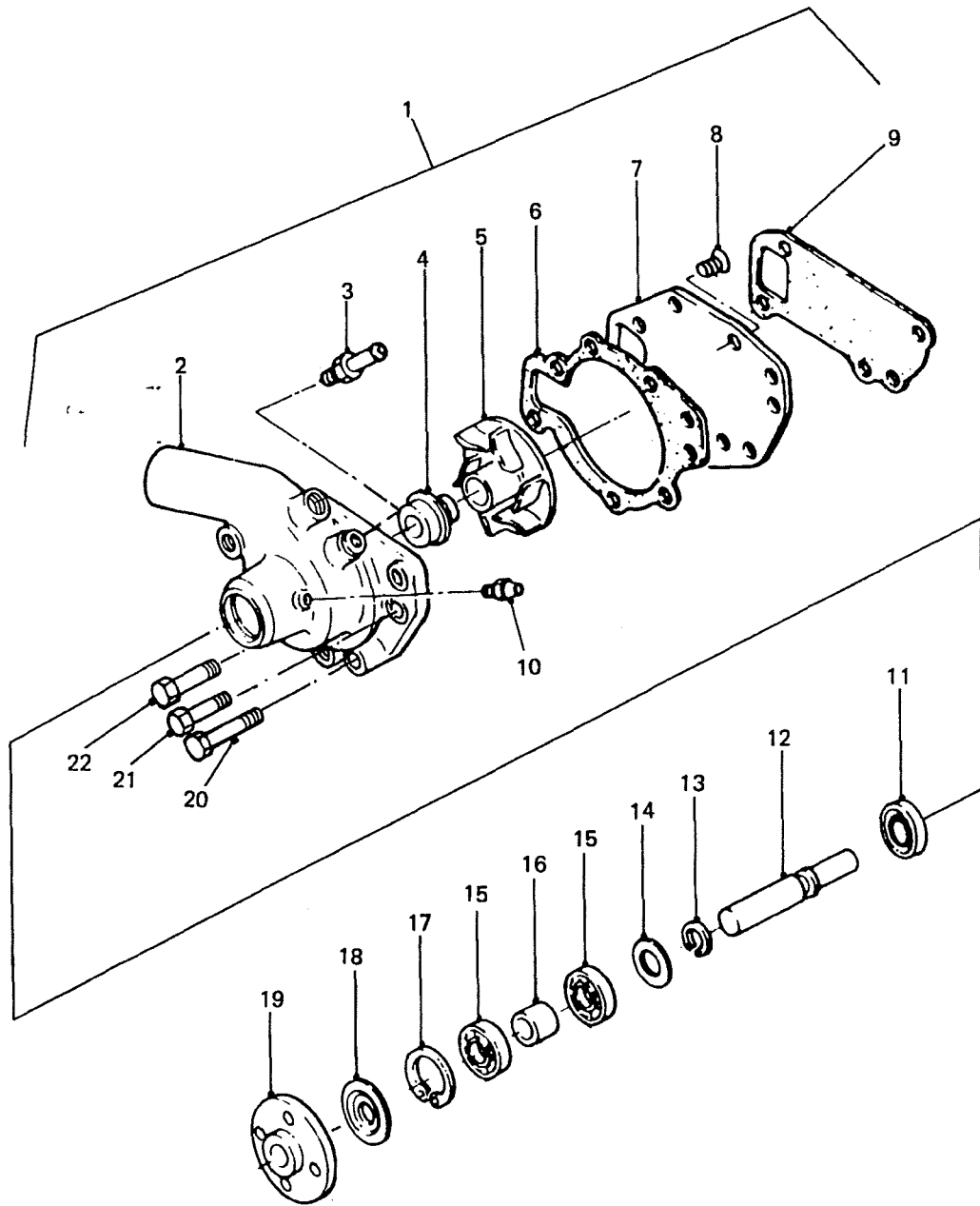
PERENTIE LAND ROVER PARTS LIST

<u>ITEM</u>	<u>PART NO.</u>	<u>DESCRIPTION</u>	<u>NSN</u>	<u>DERIVATIVE CODE</u>									
				<u>2188</u>	<u>2189</u>	<u>2190</u>	<u>2191</u>	<u>2192</u>	<u>2194</u>	<u>2195</u>	<u>2207</u>	<u>CP</u>	
1	LN050061	NIPPLE-GREASE-45 DEGREE-M6 X 16.7MM	4730-66-128-5315			1	1	1	1				
2	AYG496	BOLT	5306-66-128-5316			1	1	1	1				
3	AYG403	PULLEY-ALTERNATOR	3020-66-128-5240			1	1	1	1				
4	MYH3172	BEARING-PULLEY	3110-66-128-5060			1	1	1	1				
5	CR110405	CIRCLIP	5365-66-128-5317			1	1	1	1				
6	SH210251	SCREW	5305-66-128-5318			2	2	2	2				
7	WL110001L	WASHER LOCK	5310-99-138-9228			2	2	2	2				
8	AYG360	MOUNTING				1	1	1	1				
9	WL112001L	WASHER-LOCK	5310-66-128-5111			1	1	1	1				
10	BH112141L	BOLT	5306-99-122-2792			1	1	1	1				
11	NV112041	NUT-LOCK	5310-99-139-9037			1	1	1	1				
12	AYG404	ARM ASSY-JOCKEY PULLEY	2920-66-128-5241			1	1	1	1				

CHANGE POINT

ARN INTRODUCTION

GROUP BD



WATER PUMP ASSEMBLY

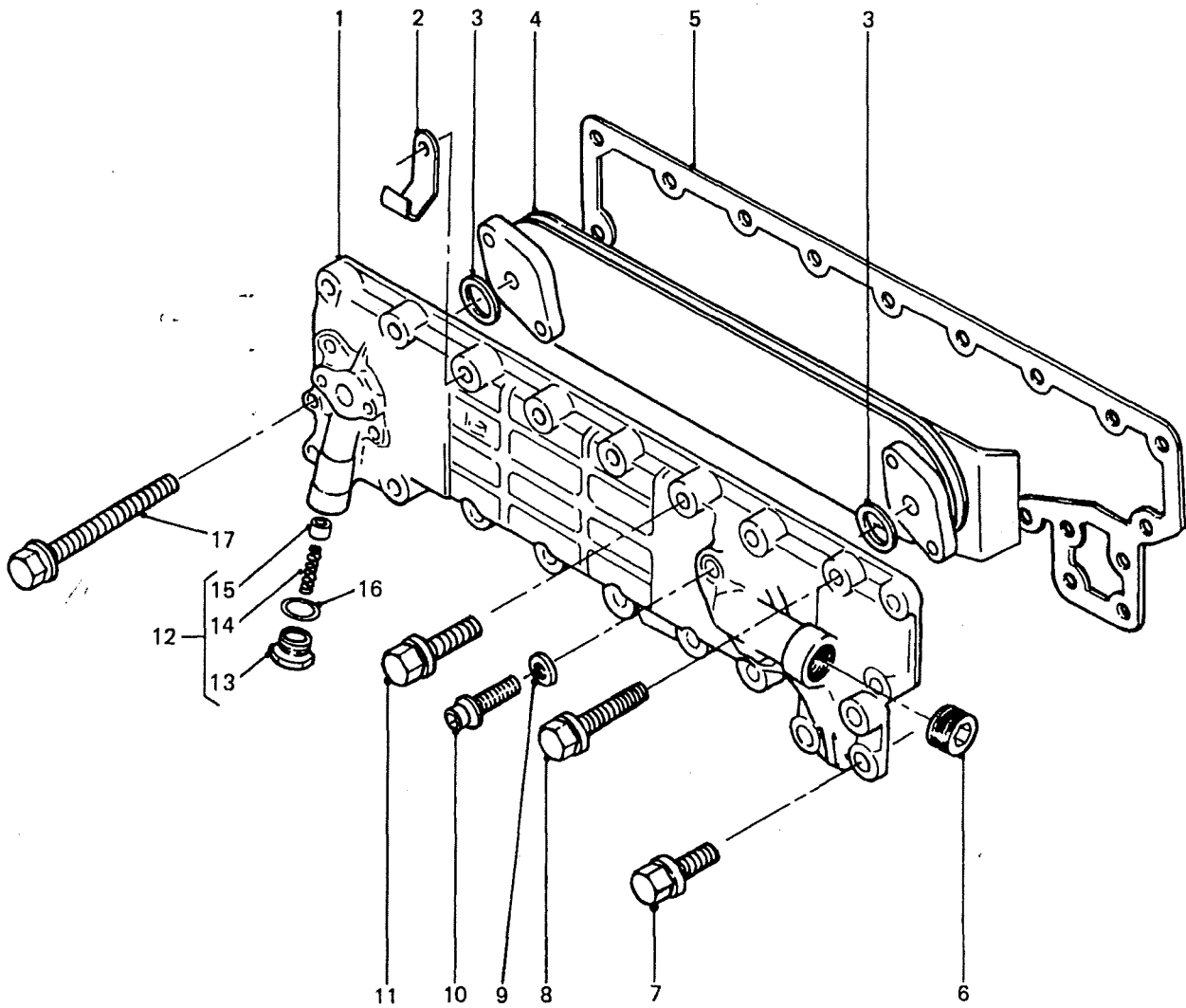
PERENTIE LAND ROVER PARTS LIST

ITEM	BD /1/1 PART NO.	WATER PUMP ASSEMBLY DESCRIPTION	NSN	DERIVATIVE CODE								
				2188	2189	2190	2191	2192	2194	2195	2207 CP	
1	8943768550	PUMP-WATER (INCL ITEMS 2 TO 19)	2930-66-128-4365	1	1	1	1	1	1	1	1	1
2	NSS											
3	9099034971	UNION	4730-66-128-4441	1	1	1	1	1	1	1	1	1
4	1136200190	SEAL-WATER PUMP		1	1	1	1	1	1	1	1	1
5	5136210110	IMPELLOR		1	1	1	1	1	1	1	1	1
6	8944728780	GASKET-PUMP	5330-66-128-4442	1	1	1	1	1	1	1	1	1
7	5136120100	COVER	2910-66-128-4366	1	1	1	1	1	1	1	1	1
8	9030908200	SCREW	5305-66-128-4443	3	3	3	3	3	3	3	3	3
9	1136140131	GASKET-WATER PUMP TO CYL. HEAD	5330-66-128-4265	1	1	1	1	1	1	1	1	1
10	9090310100	NIPPLE	4730-66-128-4444	1	1	1	1	1	1	1	1	1
11	5096250780	SEAL		1	1	1	1	1	1	1	1	1
12	5136310100	SHAFT		1	1	1	1	1	1	1	1	1
13	9099521030	RING-SNAP		1	1	1	1	1	1	1	1	1
14	5136340030	SPACER		1	1	1	1	1	1	1	1	1
15	9000902110	BEARING	3110-00-554-3355	2	2	2	2	2	2	2	2	2
16	5136320010	SPACER		1	1	1	1	1	1	1	1	1
17	9091801470	RING-SNAP		1	1	1	1	1	1	1	1	1
18	5136390020	COVER-DUST	5340-66-128-4445	1	1	1	1	1	1	1	1	1
19	5136420530	CENTRE-FAN	2930-66-128-4367	1	1	1	1	1	1	1	1	1
20	5090300101	BOLT	5306-66-128-4446	1	1	1	1	1	1	1	1	1
21	5090000880	BOLT	5306-66-128-4477	2	2	2	2	2	2	2	2	2
22	1090004780	BOLT	5306-66-128-4447	1	1	1	1	1	1	1	1	1
	8944733320	KIT-WATER PUMP (INCL ITEMS 4-6,9,11-14,16-18)	2930-66-128-4290	1	1	1	1	1	1	1	1	1

CHANGE POINT

ARN INTRODUCTION

GROUP BE



OIL COOLER AND FITTINGS

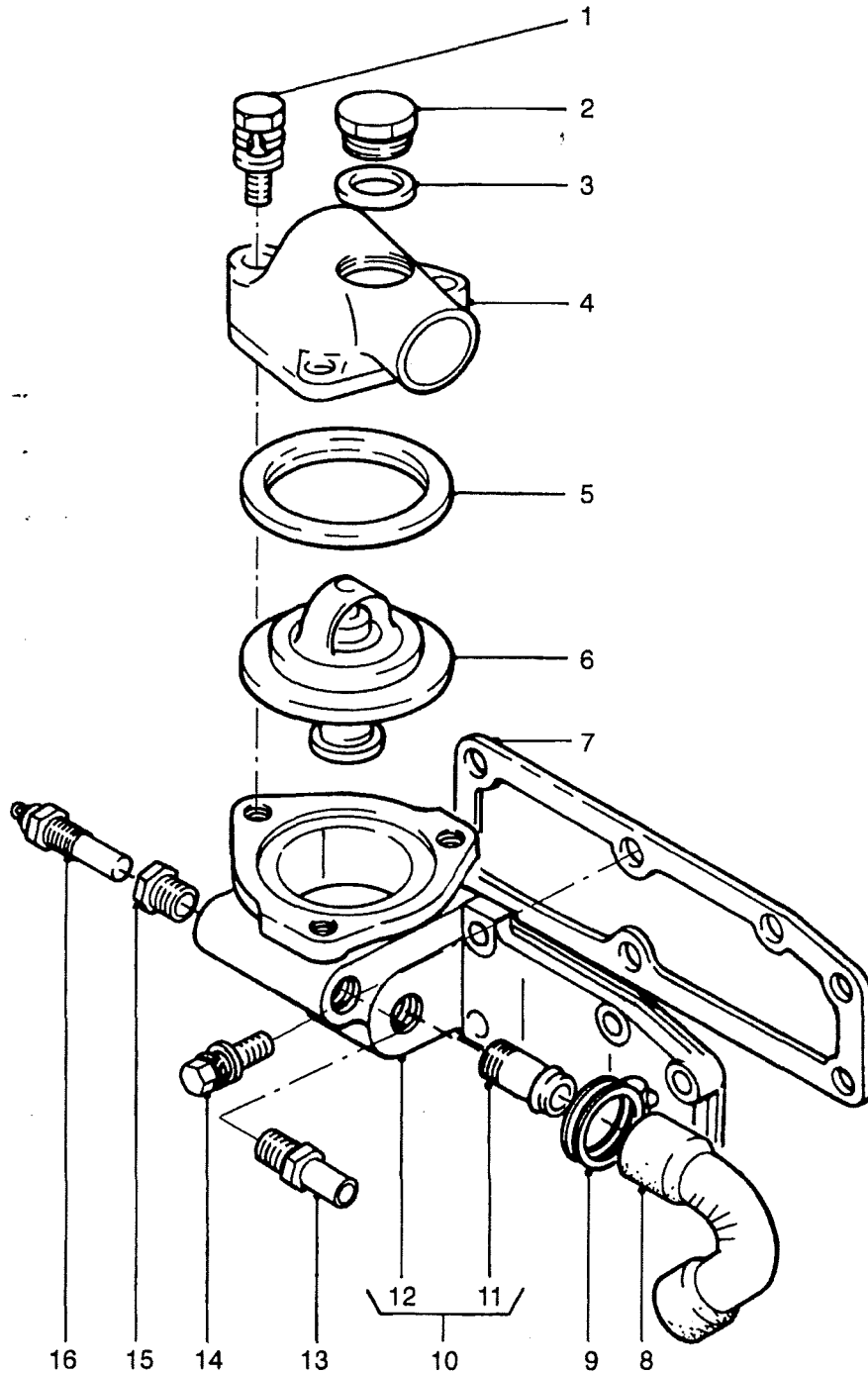
PERENTIE LAND ROVER PARTS LIST

ITEM	BE 1/1 PART NO.	OIL COOLER AND FITTINGS DESCRIPTION	NSN	DERIVATIVE CODE							
				2188	2189	2190	2191	2192	2194	2195	2207 CP
1	5112810072	CASE-COOLER	2930-66-128-4602	1	1	1	1	1	1	1	1
2	5097002750	CLIP		2	2	2	2	2	2	2	2
3	5112820110	O.RING	5330-66-128-4448	2	2	2	2	2	2	2	2
4	5112890030	ELEMENT-OIL COOLER	2930-66-128-4865	1	1	1	1	1	1	1	1
5	8943210130	GASKET-OIL COOLER	5330-66-128-4264	1	1	1	1	1	1	1	1
6	8944283860	PLUG	5365-66-128-4449	1	1	1	1	1	1	1	1
7	0812081628	BOLT	5306-66-128-4402	2	2	2	2	2	2	2	2
8	8942059860	BOLT-OIL COOLER	5306-66-128-4451	6	6	6	6	6	6	6	6
9	1217290430	PACKING		4	4	4	4	4	4	4	4
10	1090540150	BOLT-CAP		4	4	4	4	4	4	4	4
11	5090000840	BOLT-COVER	5306-66-128-4453	8	8	8	8	8	8	8	8
12	5112880020	VALVE ASSY-SAFETY RELIEF (INC ITEMS 13-15)	4820-66-128-4874	1	1	1	1	1	1	1	1
13	NSS										
14	NSS										
15	NSS										
16	9095716200	PACKING		1	1	1	1	1	1	1	1
17	5090300131	BOLT-MANIFOLD	5306-66-128-4419	1	1	1	1	1	1	1	1
	5112800102	OIL COOLER ASSY (INCL ITEMS 1,3,4,6,9,10,12,16)	2930-66-128-4863	1	1	1	1	1	1	1	1

CHANGE POINT

ARN INTRODUCTION

GROUP BF



THERMOSTAT AND HOUSING ASSEMBLY

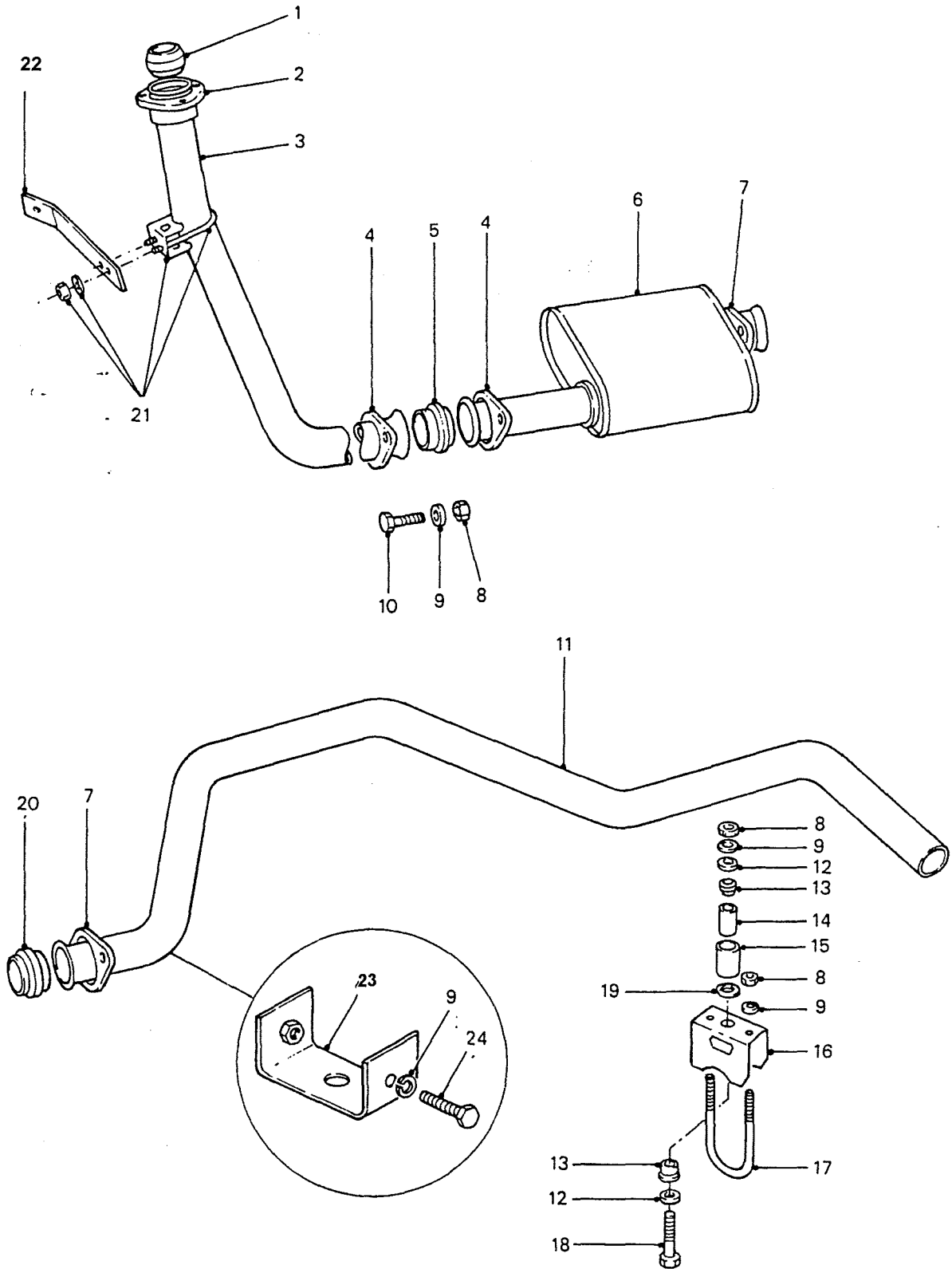
PERENTIE LAND ROVER PARTS LIST

ITEM	PART NO.	DESCRIPTION	NSN	DERIVATIVE CODE								
				2188	2189	2190	2191	2192	2194	2195	2207	CP
1	081208251E	BOLT	5306-66-128-5566	3	3	3	3	3	3	3	3	3
2	MYH2683	FILLER PLUG	4730-66-128-4455	1	1	1	1	1	1	1	1	1
3	MYH2898	WASHER	5310-66-128-4478	1	1	1	1	1	1	1	1	1
4	AYG2465	ELBOW WATER OUTLET	4730-66-128-4456	1	1	1	1	1	1	1	1	1
5	8941760310	SEALING RING-THERMOSTAT	5330-66-128-4270	1	1	1	1	1	1	1	1	1
6	5137700301	THERMOSTAT	6685-66-128-4238	1	1	1	1	1	1	1	1	1
7	8943210100	GASKET-THERMOSTAT HOUSING TO HEAD	5330-66-128-4268	1	1	1	1	1	1	1	1	1
8	8941462970	HOSE	4720-66-128-4269	1	1	1	1	1	1	1	1	1
9	5097040313	CLIP-HOSE	4730-66-128-4457	2	2	2	2	2	2	2	2	2
10	5137160451	HOUSING-THERMOSTAT (INCLUDES ITEMS 11-12)	2930-66-128-4603	1	1	1	1	1	1	1	1	1
11	NSS											
12	NSS											
13	5097440152	NIPPLE-14 MM	4730-66-128-4373	1	1	1	1	1	1	1	1	1
14	0501410350	BOLT	5306-66-128-4460	6	6	6	6	6	6	6	6	6
15	AYG9617	ADAPTOR	4730-66-128-4802	1	1	1	1	1	1	1	1	1
16	AYG9603	TRANSMITTER-WATER TEMPERATURE	6685-66-095-8448	1	1	1	1	1	1	1	1	1

CHANGE POINT

ARN INTRODUCTION

GROUP CA



MUFFLER, PIPES AND MOUNTINGS

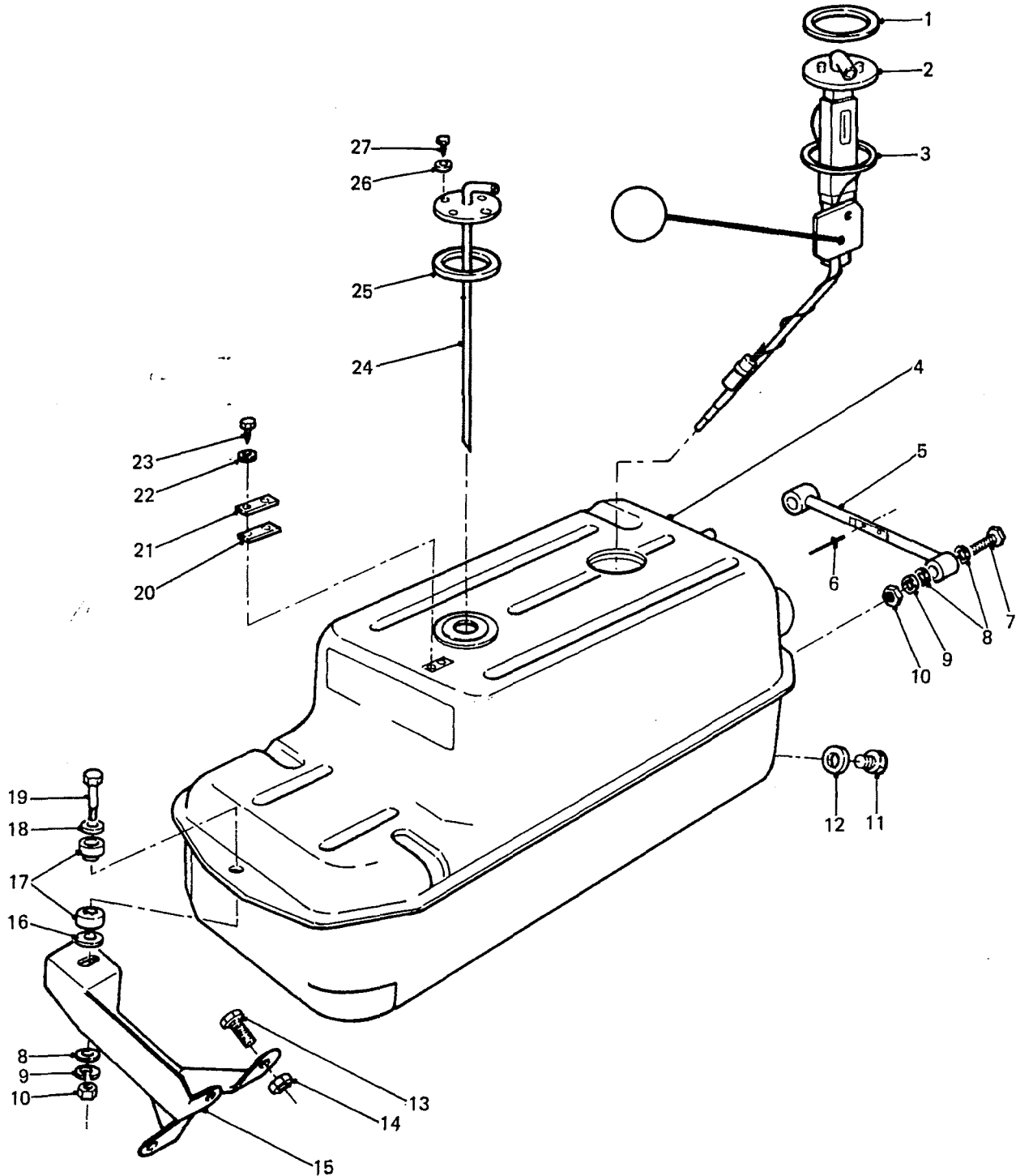
PERENTIE LAND ROVER PARTS LIST

ITEM	CA /1/1 PART NO.	MUFFLER, PIPES AND MOUNTINGS DESCRIPTION	NSN	DERIVATIVE CODE							
				2188	2189	2190	2191	2192	2194	2195	2207 CP
1	5221190031	CLAMP RING EXHAUST	2990-66-128-4261	1	1	1	1	1	1	1	1
2	NSS										
3	AYG2897	PIPE-EXHAUST-FRONT	2990-66-128-4239	1	1	1	1	1	1	1	1
4	NSS										
5	NTC1030	OLIVE	5340-66-128-4461	1	1	1	1	1	1	1	1
6	AYG2908	SILENCER		1	1	1	1	1	1	1	1
7	NSS										
8	FN108041	NUT	5310-99-499-8033	12	12	12	12	12	12	12	12
9	WL108001L	WASHER-LOCK	5310-99-137-9231	12	12	12	12	12	12	12	12
10	BH108091L	BOLT	5306-99-122-5255	6	6	6	6	6	6	6	6
11	AYG2902	PIPE-EXHAUST-REAR	2990-66-128-4240	1	1	1	1	1	1	1	1
12	WP105L	WASHER-PLAIN	5310-99-122-3034	4	4	4	4	4	4	4	4
13	R572166	BUSH-MOUNT	5365-99-825-6084	4	4	4	4	4	4	4	4
14	R592072	SPACER TUBE	5365-99-825-6087	2	2	2	2	2	2	2	2
15	R572167	BUSH-MOUNTING	5365-99-825-6086	2	2	2	2	2	2	2	2
16	NRC7608	PLATE-CLAMP	2990-99-721-3570	2	2	2	2	2	2	2	2
17	NRC7609	U BOLT	5306-99-721-3571	2	2	2	2	2	2	2	2
18	FB108141	BOLT		2	2	2	2	2	2	2	2
19	R572168	BUSH	5330-99-825-6085	4	4	4	4	4	4	4	4
20	NTC2731	FLANGE-EXHAUST	5340-66-128-4462	1	1	1	1	1	1	1	1
21	AYG2692	CLAMP-EXHAUST	5340-66-128-4463	2	2	2	2	2	2	2	2
22	AYG2673	STAY	2990-66-128-4479	1	1	1	1	1	1	1	1
23	BYG2097	BRACKET-EXHAUST									1
24	FS108161	SCREW									2

CHANGE POINT

ARN INTRODUCTION

GROUP DA

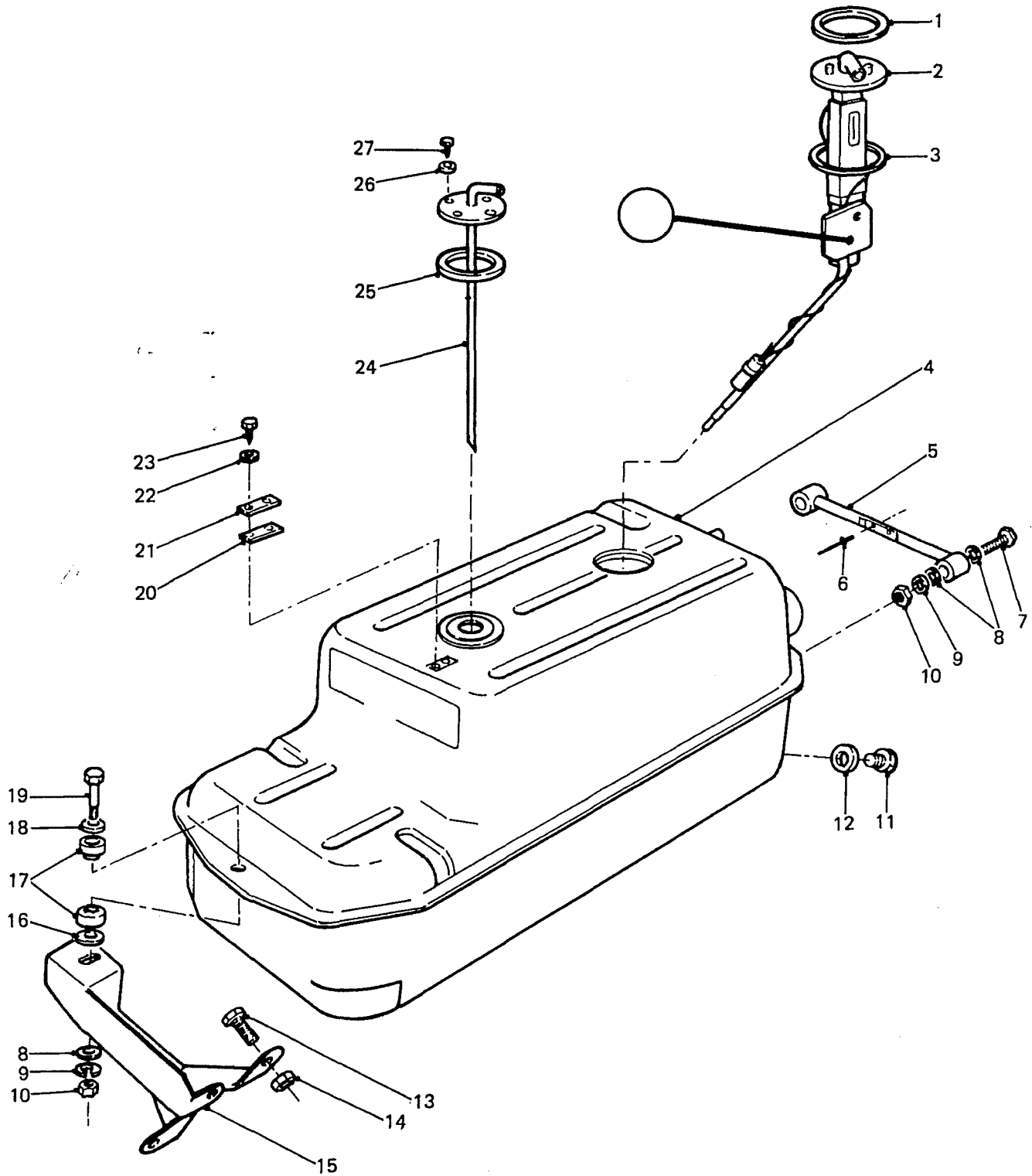


FUEL TANK, MOUNTINGS AND SENDER UNIT

PERENTIE LAND ROVER PARTS LIST

ITEM	DA /1/1 PART NO.	FUEL TANK, MOUNTINGS AND SENDER UNIT DESCRIPTION	NSN	DERIVATIVE CODE								CP
				2188	2189	2190	2191	2192	2194	2195	2207	
1	ARA1501L	RING-LOCKING	2910-99-804-6574	1	1	1	1	1	1	1	1	1
2	AYG9825	UNIT-TANK	6680-66-128-4877	1	1	1	1	1	1	1	1	1
2	BYG9133	UNIT-TANK-LH-RFSV ONLY	6680-66-128-6117									1
3	ARA1502L	WASHER-SEALING	5310-99-625-1886	1	1	1	1	1	1	1	1	1
4	RRC4609	FUEL TANK-RH (INCL ITEMS 11 & 12)	2910-66-128-4480	1	1	1	1	1				1
4	AYG2853	FUEL TANK (INCL ITEMS 11 & 12)	2910-66-128-5122							1	1	
4	NTC2088	FUEL TANK-LH SIDE (INCL ITEMS 11 & 12)	2910-99-776-9610									1
5	NRC6526	SPACER TUBE		1	1	1	1	1	1	1	1	2
6	RA608177L	POP-RIVET	5320-99-450-4958	2	2	2	2	2	2	2	2	4
7	FS108301	SCREW		2	2	2	2	2	2	2	2	4
8	WA108051L	WASHER-PLAIN	5310-99-122-6475	10	10	10	10	10	10	10	10	20
9	WL108001L	WASHER-LOCK	5310-99-137-9231	3	3	3	3	3	3	3	3	6
10	FN108041	NUT	5310-99-499-8033	3	3	3	3	3	3	3	3	6
11	NRC62	PLUG	5365-99-828-7803	1	1	1	1	1	1	1	1	2
12	R243958	WASHER	5330-99-850-0344	1	1	1	1	1	1	1	1	2
13	FS108251	SCREW	5305-99-122-5367	3	3	3	3	3	3	3	3	6
14	NY108041L	NUT-NYLOC	5310-99-122-5496	3	3	3	3	3	3	3	3	6
15	BYG5530	BRACKET-TANK MOUNTING-RHF		1	1	1	1	1	1	1	1	1
15	BYG2095	BRACKET-TANK MOUNTING-LHF										1
16	WP185	WASHER-PLAIN	5310-99-136-5496	1	1	1	1	1	1	1	1	2
17	90508545	RUBBER-MOUNTING	5340-99-805-8623	2	2	2	2	2	2	2	2	4
18	R2265L	WASHER-FLAT	5310-99-137-8657	1	1	1	1	1	1	1	1	2
19	NRC4765	BOLT	5306-66-128-4466	1	1	1	1	1	1	1	1	2
20	R267837	JOINT WASHER	5330-99-850-0558	1	1	1	1	1	1	1	1	2

GROUP DA



FUEL TANK, MOUNTINGS AND SENDER UNIT

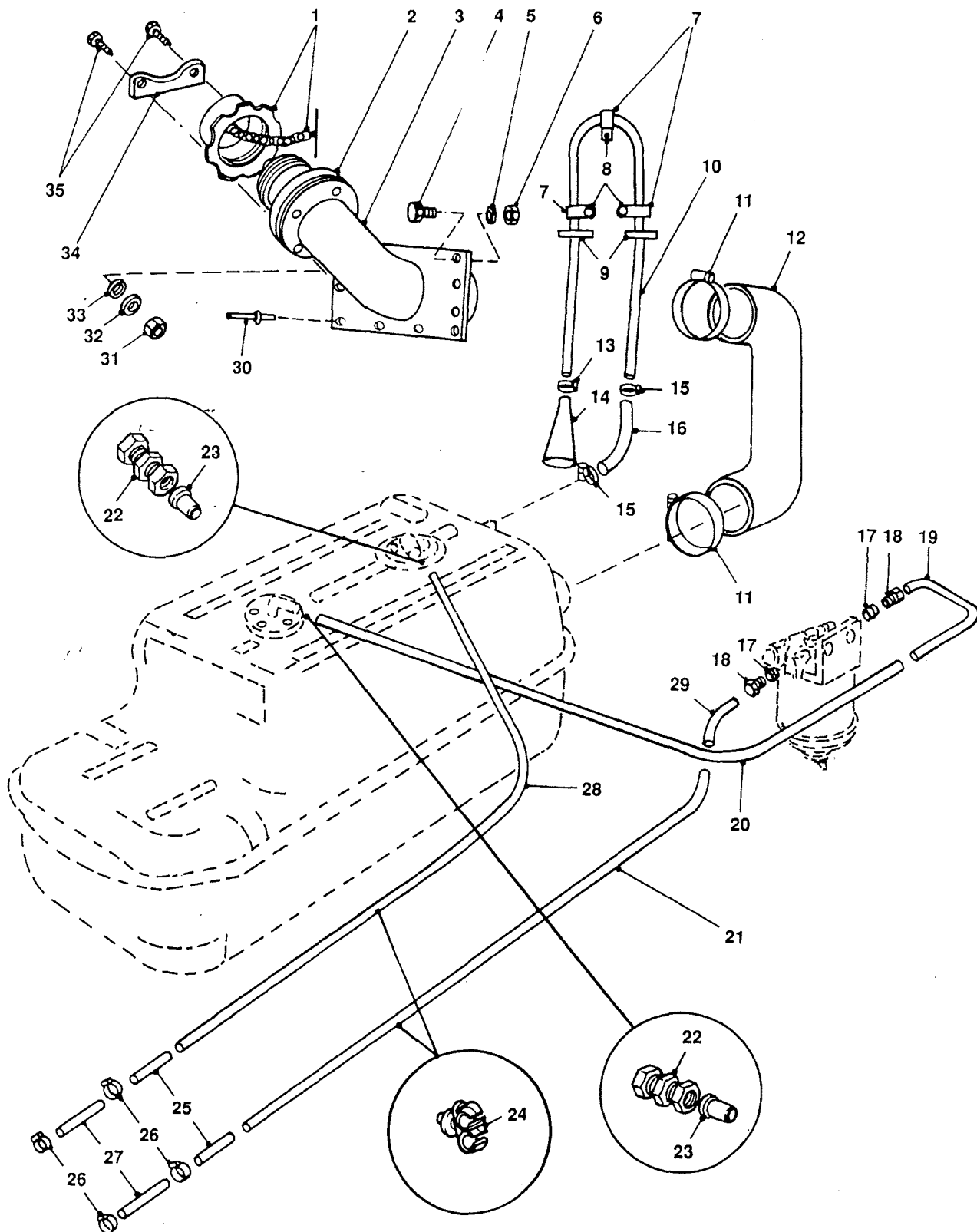
PERENTIE LAND ROVER PARTS LIST

<u>ITEM</u>	<u>DA /1/1</u> <u>PART NO.</u>	<u>FUEL TANK, MOUNTINGS AND SENDER UNIT</u> <u>DESCRIPTION</u>	<u>NSN</u>	<u>DERIVATIVE CODE</u>								<u>CP</u>
				<u>2188</u>	<u>2189</u>	<u>2190</u>	<u>2191</u>	<u>2192</u>	<u>2194</u>	<u>2195</u>	<u>2207</u>	
21	AYG2874	PLATE-BLANKING	5340-66-128-4467	1	1	1	1	1	1	1	1	2
22	R3101	WASHER	5310-99-941-6652	2	2	2	2	2	2	2	2	4
23	R3890	SCREW	5305-99-101-4416	2	2	2	2	2	2	2	2	4
24	NTC2180	PIPE-FEED-RH	4730-99-729-6634	1	1	1	1	1	1	1	1	1
24	NTC2159	PIPE-FEED-LH	4730-66-128-6118									1
25	PRC5852	RING-SEALING	2910-99-729-2958	1	1	1	1	1	1	1	1	2
26	WL105001L	WASHER-LOCK	5310-99-977-1102	5	5	5	5	5	5	5	5	10
27	SE105121L	SCREW	5305-99-135-0429	5	5	5	5	5	5	5	5	10

CHANGE POINT

ARN INTRODUCTION

GROUP DBA/1

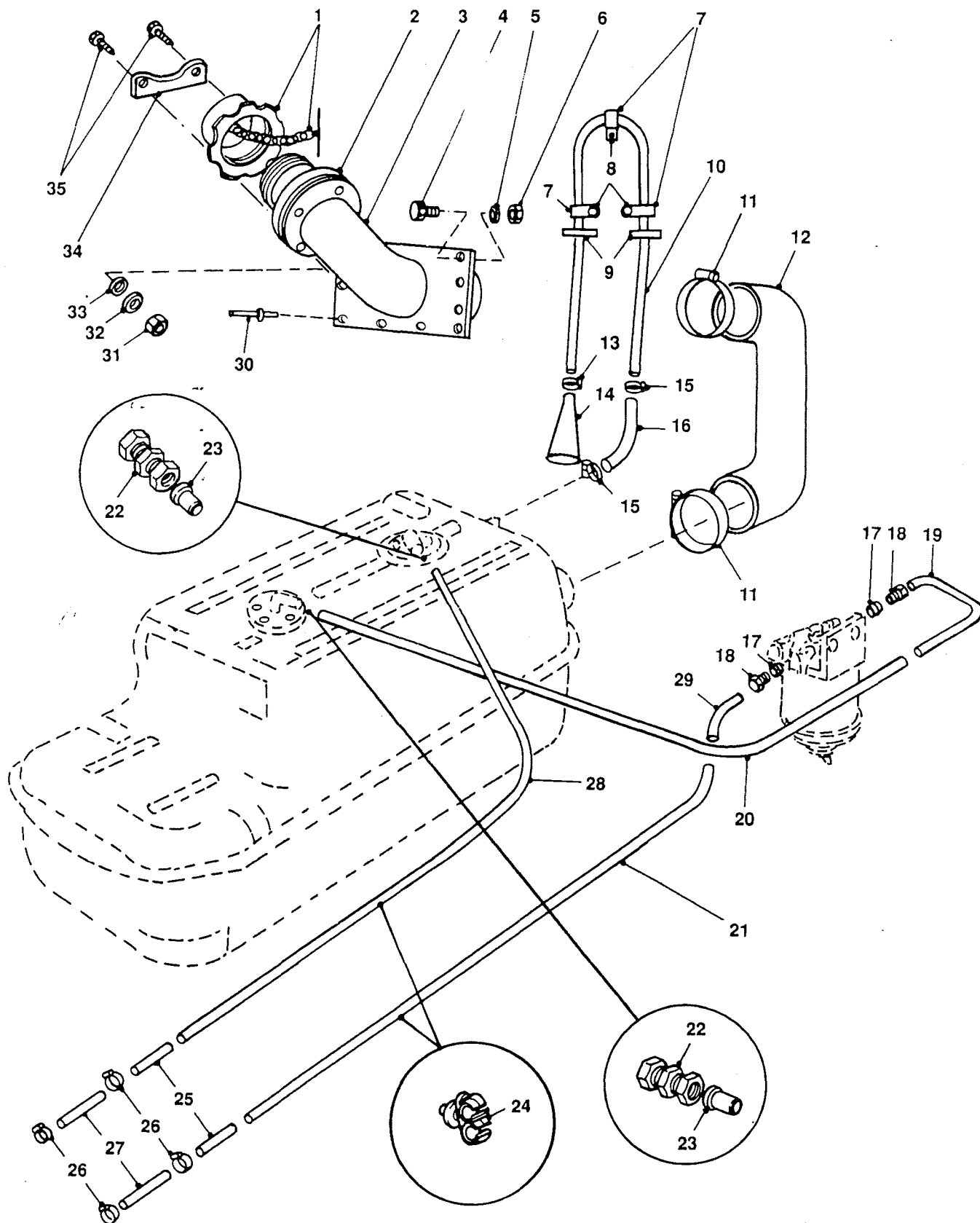


FUEL TANK PIPES, HOSES AND CAP

PERENTIE LAND ROVER PARTS LIST

ITEM	DBA/1/1 PART NO.	FUEL TANK PIPES, HOSES AND CAP DESCRIPTION	NSN	DERIVATIVE CODE							
				2188	2189	2190	2191	2192	2194	2195	2207 CP
1	HYG2367	CAP-FILLER PIPE	2930-66-128-4246	1	1	1	1	1			
	HYL8707	GASKET-FUEL CAP	5330-66-128-4511	1	1	1	1	1			
2	ESR1650	SEAL	5330-66-010-7777	1	1	1	1	1			
3	HYG2372	PIPE-FUEL FILLER		1	1	1	1	1			
4	SH105161	SCREW		1	1	1	1	1			
5	WA105001L	WASHER		1	1	1	1	1			
6	NY105041L	NUT		1	1	1	1	1			
7	CH105121	CLIP-PIPE		3	3	3	3	3			
8	R78248	POP RIVET	5320-99-970-3518	3	3	3	3	3			
9	RFN112	GROMMET	5325-66-128-5249	2	2	2	2	2			
10	AYG2817	BREATHER PIPE		1	1	1	1	1			
11	CN100708	CLAMP-HOSE	4730-66-128-6126	1	1	1	1	1			
11	CJ600504L	CLAMP-HOSE	4730-99-420-3088	1	1	1	1	1			
12	AYG2794	HOSE-FUEL FILLER	4720-66-128-4512	1	1	1	1	1			
13	MYH3385	CLAMP-HOSE	4730-66-128-4517	1	1	1	1	1			
14	AYG2878	FILTER-TANK	2910-66-128-4513	1	1	1	1	1			
	MYH3348	SPRING-FILTER		1	1	1	1	1			
15	CJ600124	CLAMP-HOSE	4730-66-012-6544	2	2	2	2	2			
16	MYH5323/260	BREATHER HOSE		1	1	1	1	1			
17	R542846	OLIVE	4730-99-801-7775	2	2	2	2	2			
18	R577728	NUT-TUBE	4730-66-128-4516	2	2	2	2	2			
19	AYG5847	PIPE-FUEL		1	1	1	1	1			
20	AYG5847	PIPE-FUEL		1	1	1	1	1			
21	AYG2743	PIPE-FUEL		1	1	1	1	1			
22	MYH2912	UNION-PIPES	4730-66-128-4557	2	2	2	2	2			
23	MYH3387	INSERT-PIPE	4730-66-128-5354	2	2	2	2	2			
24	NRC5415	CLIP-DOUBLE-FUEL PIPES	5340-99-732-0982	3	3	3	3	3			
25	MYH5321/130	HOSE-FUEL		2	2	2	2	2			
26	MYH3385	CLAMP-HOSE	4730-66-128-4517	4	4	4	4	4			

GROUP DBA/1



FUEL TANK PIPES, HOSES AND CAP

PERENTIE LAND ROVER PARTS LIST

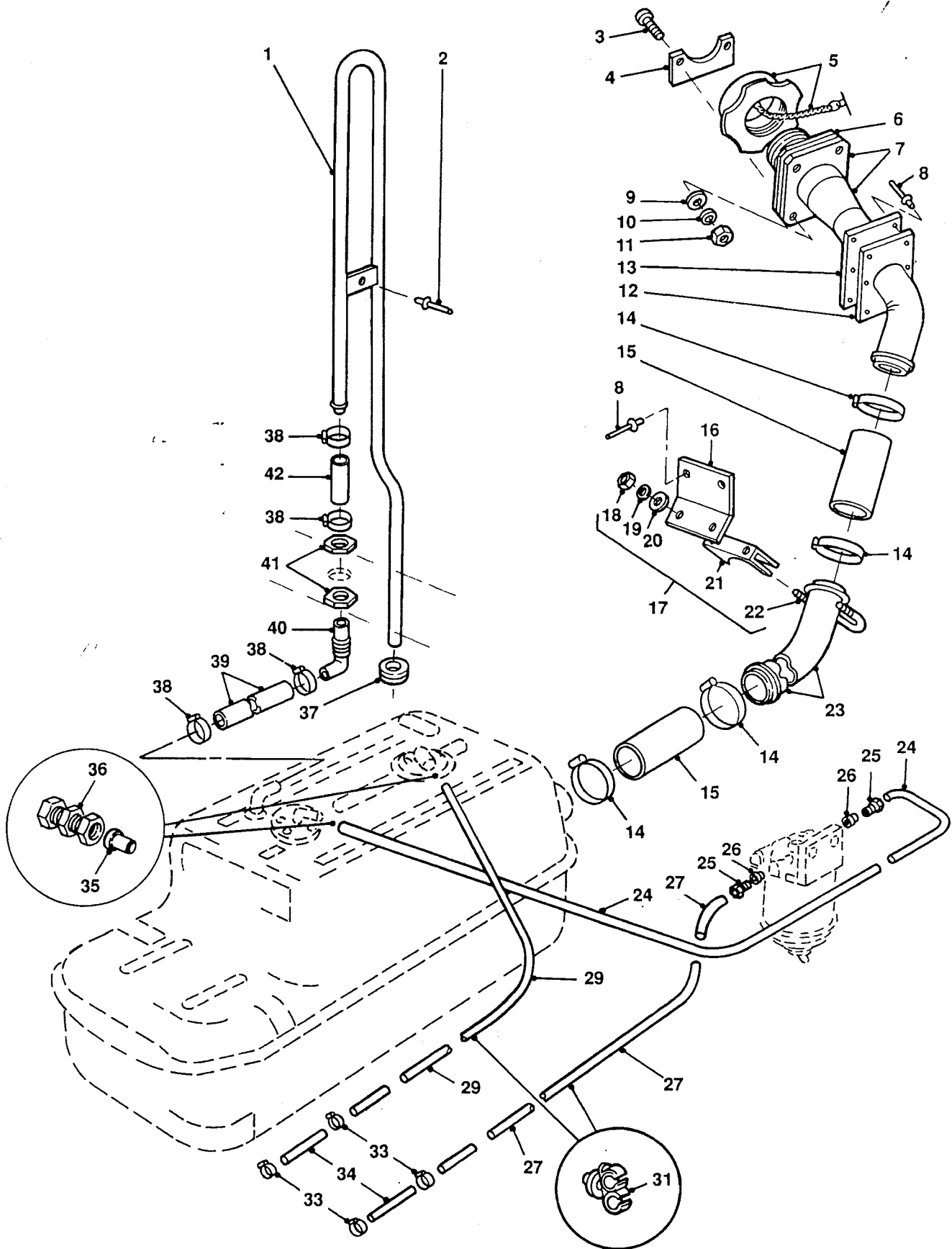
DBA/1/1 FUEL TANK PIPES, HOSES AND CAP

<u>ITEM</u>	<u>PART NO.</u>	<u>DESCRIPTION</u>	<u>NSN</u>	<u>DERIVATIVE CODE</u>								
				<u>2188</u>	<u>2189</u>	<u>2190</u>	<u>2191</u>	<u>2192</u>	<u>2194</u>	<u>2195</u>	<u>2207</u>	<u>CP</u>
27	MYH5321/130	HOSE-FUEL		2	2	2	2	2				
28	AYG2954	PIPE-FUEL		1	1	1	1	1				
29	AYG2743	PIPE-FUEL		1	1	1	1	1				
30	RA612253L	POP RIVET	5320-66-128-5117	8	8	8	8	8				
31	NH105041L	NUT	5310-66-098-4400	4	4	4	4	4				
32	WL105001L	WASHER-LOCK	5310-99-977-1102	4	4	4	4	4				
33	WC105001L	WASHER-PLAIN		8	8	8	8	8				
34	R502951	LABEL-FUEL	9905-66-128-4521	1	1	1	1	1				
35	SP105121	SCREW	5305-99-941-9194	4	4	4	4	4				

CHANGE POINT

ARN INTRODUCTION

GROUP DBA/2

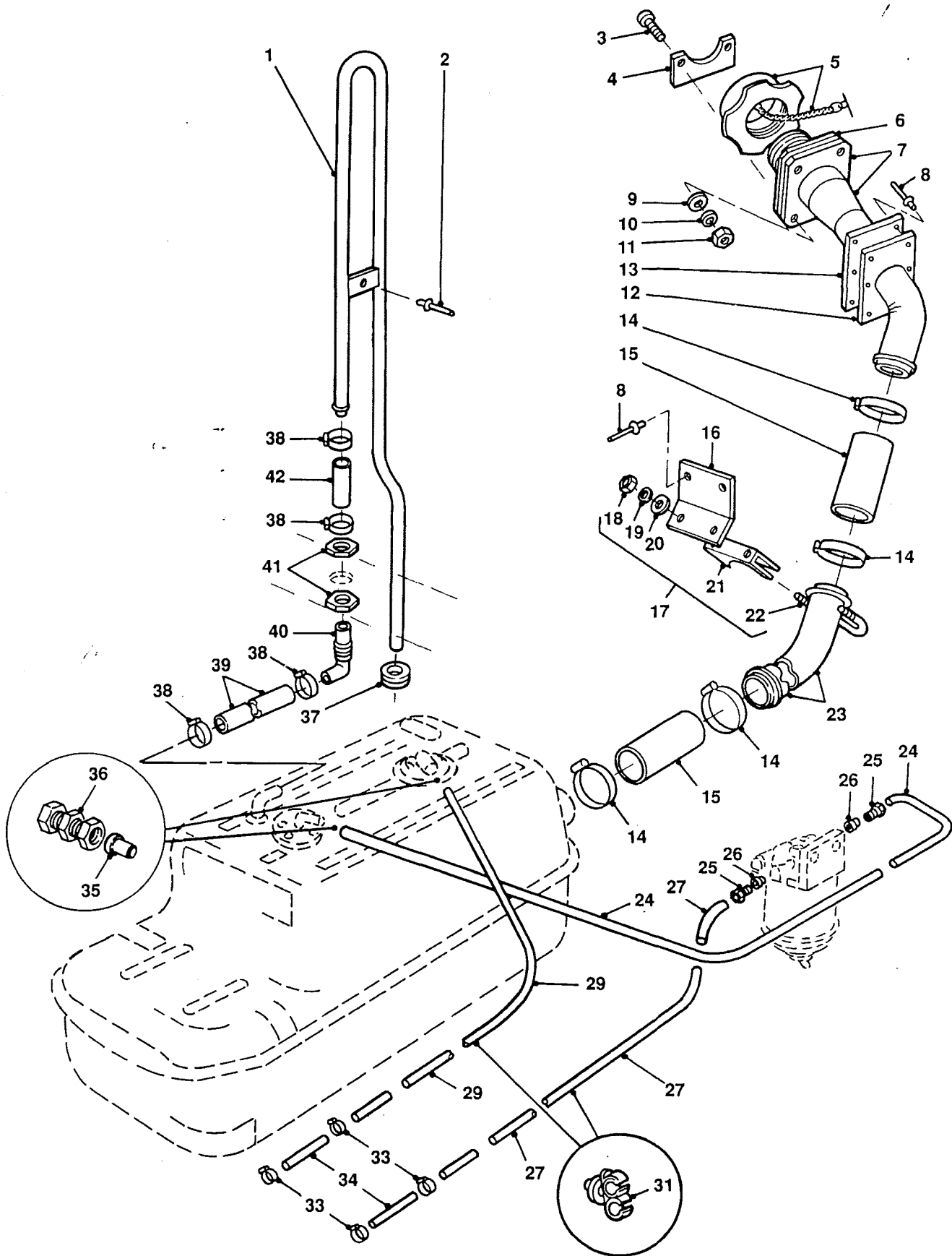


**FUEL TANK PIPES, HOSES AND CAP
STATION WAGON VARIANTS**

PERENTIE LAND ROVER PARTS LIST

ITEM	DBA/2/1 PART NO.	FUEL TANK PIPES, HOSES AND CAP - STATION WAGON VARIANTS DESCRIPTION	NSN	DERIVATIVE CODE						
				2188	2189	2190	2191	2192	2194	2195
1	HYG2351	PIPE-BREATHER							1	1
2	RA612253L	POP RIVET	5320-66-128-5117						1	1
3	SE105121L	SCREW	5305-99-135-0429						4	4
4	R502951	LABEL-FUEL	9905-66-128-4521						1	1
5	HYG2367	CAP-FILLER PIPE	2930-66-128-4246						1	1
	HYL8707	GASKET-FUEL CAP	5330-66-128-4511						1	1
6	ESR1650	SEAL-FUEL FILLER PIPE	5330-99-776-9648						1	1
7	HYG2757	PIPE-FUEL FILLER-UPPER							1	1
8	R78248	POP RIVET	5320-99-970-3518						8	8
9	WC105001L	WASHER-PLAIN	5310-99-122-3032						8	8
10	WL105001L	WASHER-LOCK	5310-99-977-1102						4	4
11	RTC608	NUT	5310-66-098-4400						4	4
12	HYG2448	PLATE-FUEL FILLER							1	1
13	HYG2449	GASKET-PLATE							1	1
14	CJ600344	CLAMP-HOSE	4730-99-420-3230						4	4
15	MYH5333/280	HOSE-FILLER							2	2
16	HYG2450	BRACKET-PIPE							1	1
17	HYL307/C4	CLAMP ASSY	5340-66-128-5265						1	1
18	NH106041L	NUT	5310-66-098-4401						2	2
19	WL106001L	WASHER-LOCK	5310-99-137-9232						2	2
20	WA106041L	WASHER-PLAIN	5310-66-098-4440						2	2
21	NSS									
22	NSS									
23	HYG2758	PIPE-FUEL FILLER-LOWER							1	1
24	AYG5847	FUEL PIPE-TANK							1	1
25	R577728	NUT-TUBE	5310-66-128-5214						2	2
26	R542846	OLIVE	4730-99-801-7775						2	2
27	AYG2743	PIPE-FUEL							1	1
29	AYG2954	PIPE-FUEL							1	1

GROUP DBA/2



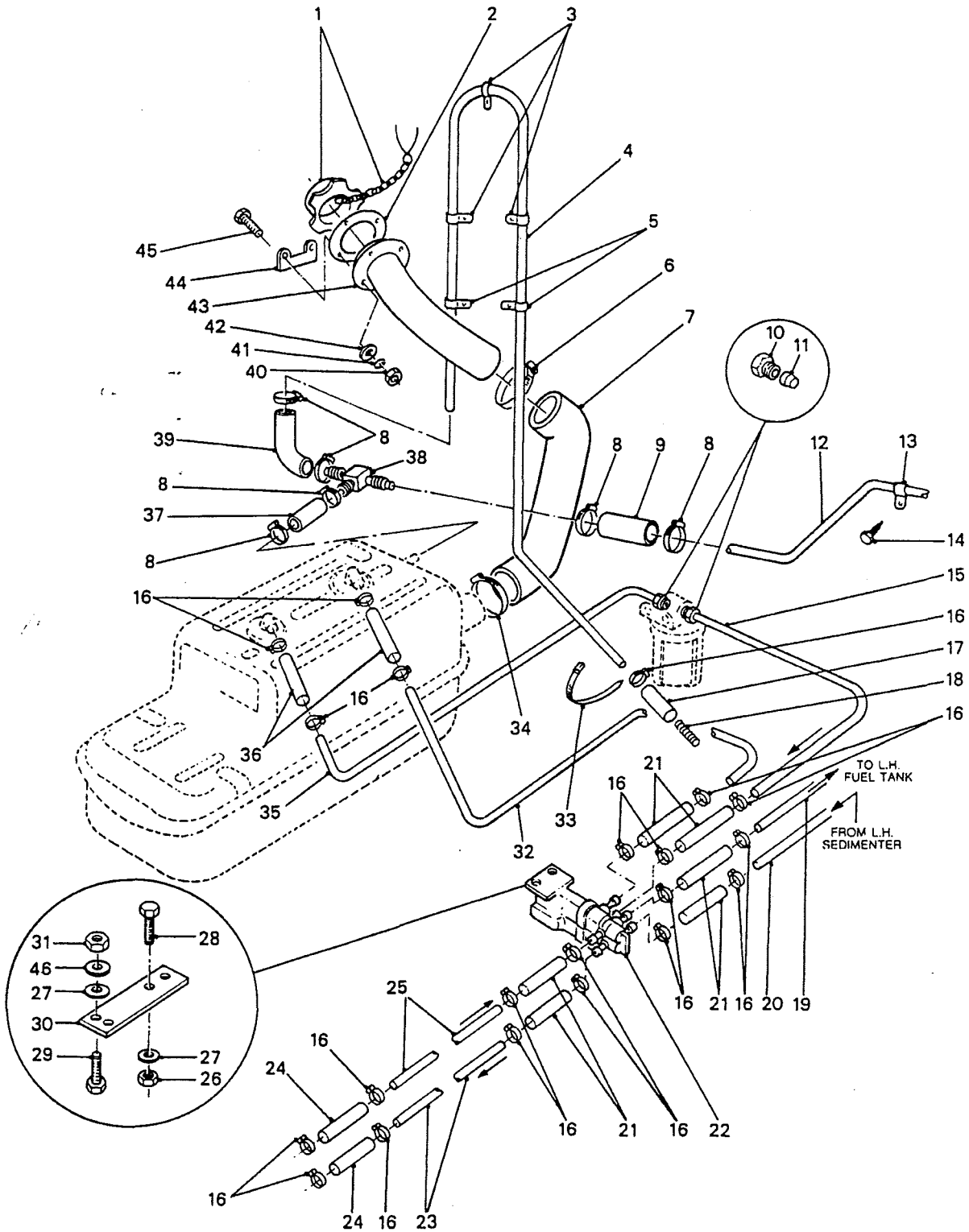
**FUEL TANK PIPES, HOSES AND CAP
STATION WAGON VARIANTS**

PERENTIE LAND ROVER PARTS LIST

<u>ITEM</u>	<u>PART NO.</u>	<u>DESCRIPTION</u>	<u>NSN</u>	<u>DERIVATIVE CODE</u>							
				<u>2188</u>	<u>2189</u>	<u>2190</u>	<u>2191</u>	<u>2192</u>	<u>2194</u>	<u>2195</u>	<u>2207</u>
31	NRC5415	CLIP-DOUBLE-FUEL PIPES	5340-99-732-0982							3	3
33	MYH3385	CLAMP-HOSE	4730-66-128-4517							4	4
34	MYH5321/130	HOSE-FUEL								2	2
35	MYH3387	INSERT-PIPE	4730-66-128-5354							2	2
36	MYH2912	UNION-PIPES	4730-66-128-4557							2	2
37	RFN112	GROMMET	5325-66-128-5249							1	1
38	CJ600164L	CLAMP-HOSE	4730-99-533-2960							4	4
39	MYH5334/90	HOSE-FUEL								1	1
40	AYG2858	CONNECTOR-FUEL								1	1
41	MYH3185	LOCKNUT								2	2
42	MYH5334/330	HOSE-FUEL								1	1

CHANGE POINT ARN INTRODUCTION

GROUP DBA/3

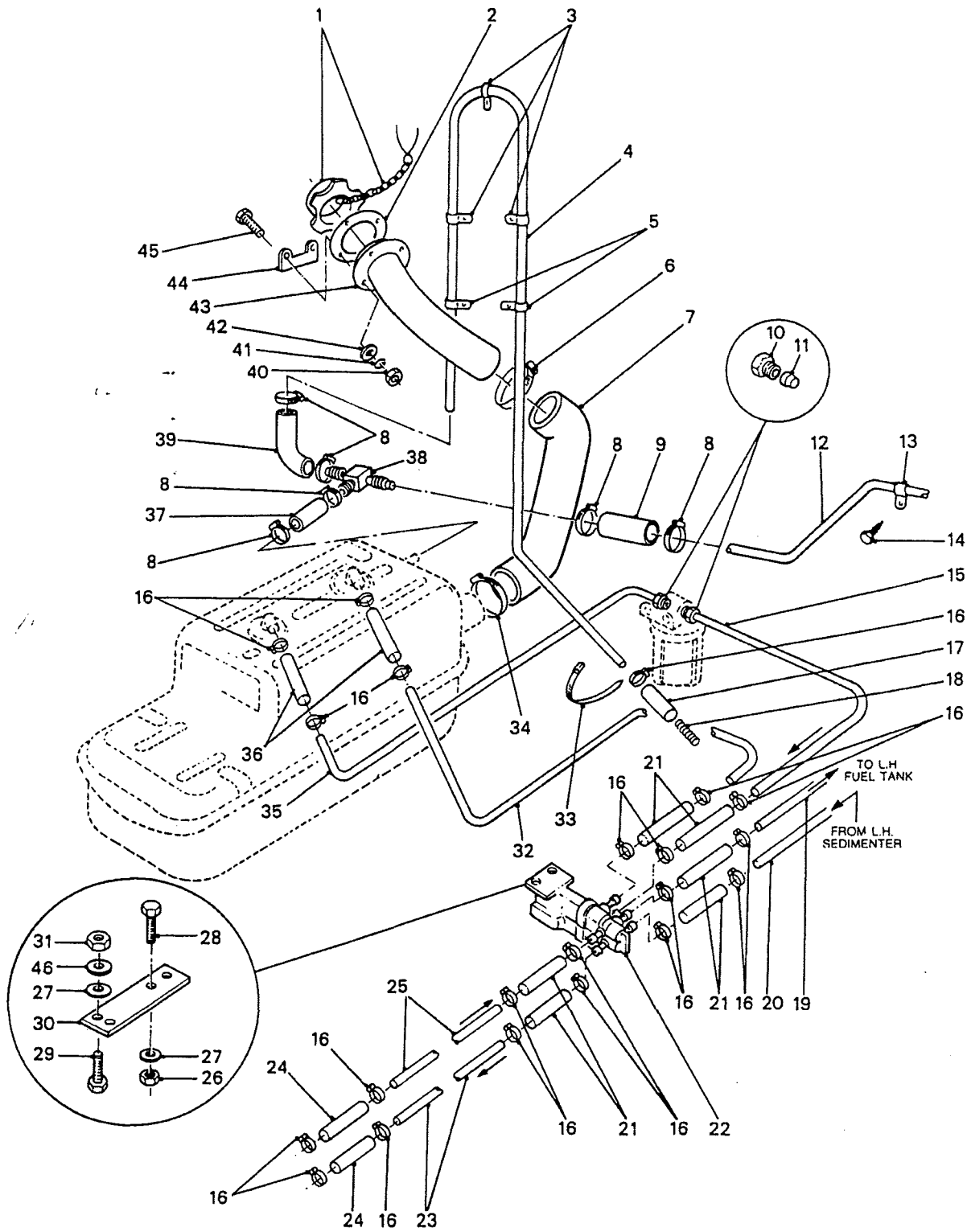


**FUEL TANK PIPES, FILLER TUBE
AND SELECTOR VALVE – RFSV ONLY**

PERENTIE LAND ROVER PARTS LIST

ITEM	DBA/3/1 PART NO.	DESCRIPTION	NSN	DERIVATIVE CODE									
				2188	2189	2190	2191	2192	2194	2195	2207	CP	
1	HYG2367	CAP-FILLER PIPE	2930-66-128-4246										2
	HYL8707	GASKET-FUEL CAP	5330-66-128-4511										1
2	ESR1650	SEAL-FUEL FILLER PIPE	5330-99-776-9648										2
3	CH105121	CLIP-PIPE											6
	R78248	POP RIVET	5320-99-970-3518										6
4	BYG2032	PIPE-BREATHER-RH											1
	BYG2033	PIPE-BREATHER-LH											1
5	RFN112	GROMMET	5325-66-128-5249										4
6	CJ600504L	CLAMP-HOSE	4730-99-420-3088										2
7	AYG2794	HOSE-FUEL-RH SIDE	4720-66-128-4512										1
	AYG2795	HOSE-FUEL-LH SIDE	4701-66-128-6119										1
8	CJ600124	CLAMP-HOSE	4730-66-012-6544										12
9	MYH5323/150	HOSE-FUEL											2
10	R577728	NUT-TUBE	4730-66-128-4516										4
11	R542846	OLIVE	4730-99-801-7775										4
12	BYG2068	CROSS TUBE-FUEL TANK BREATHER											1
13	CP104121	"P" CLIP	5340-66-128-5611										2
14	MYH3337	SCREW	5305-66-128-5341										2
15	AYG499	PIPE-FUEL-RH SEDIMENTOR	4710-66-128-6120										1
16	MYH3385	CLAMP-HOSE	4730-66-128-4517										26
17	AYG2878	FILTER-TANK	2910-66-128-4513										2
18	MYH3348	SPRING-PIPE											2
19	AYG529	PIPE-FUEL-LH FUEL TANK	4710-66-128-6121										1
20	AYG500	PIPE-FUEL-LH SEDIMENTOR	4710-66-128-6122										1
21	MYH5321/160	HOSE-FUEL											6
22	AYG2840	VALVE	2910-66-128-5458										1
23	AYG540	FUEL PIPE-FEED	4710-66-128-6123										1

GROUP DBA/3



**FUEL TANK PIPES, FILLER TUBE
AND SELECTOR VALVE – RFSV ONLY**

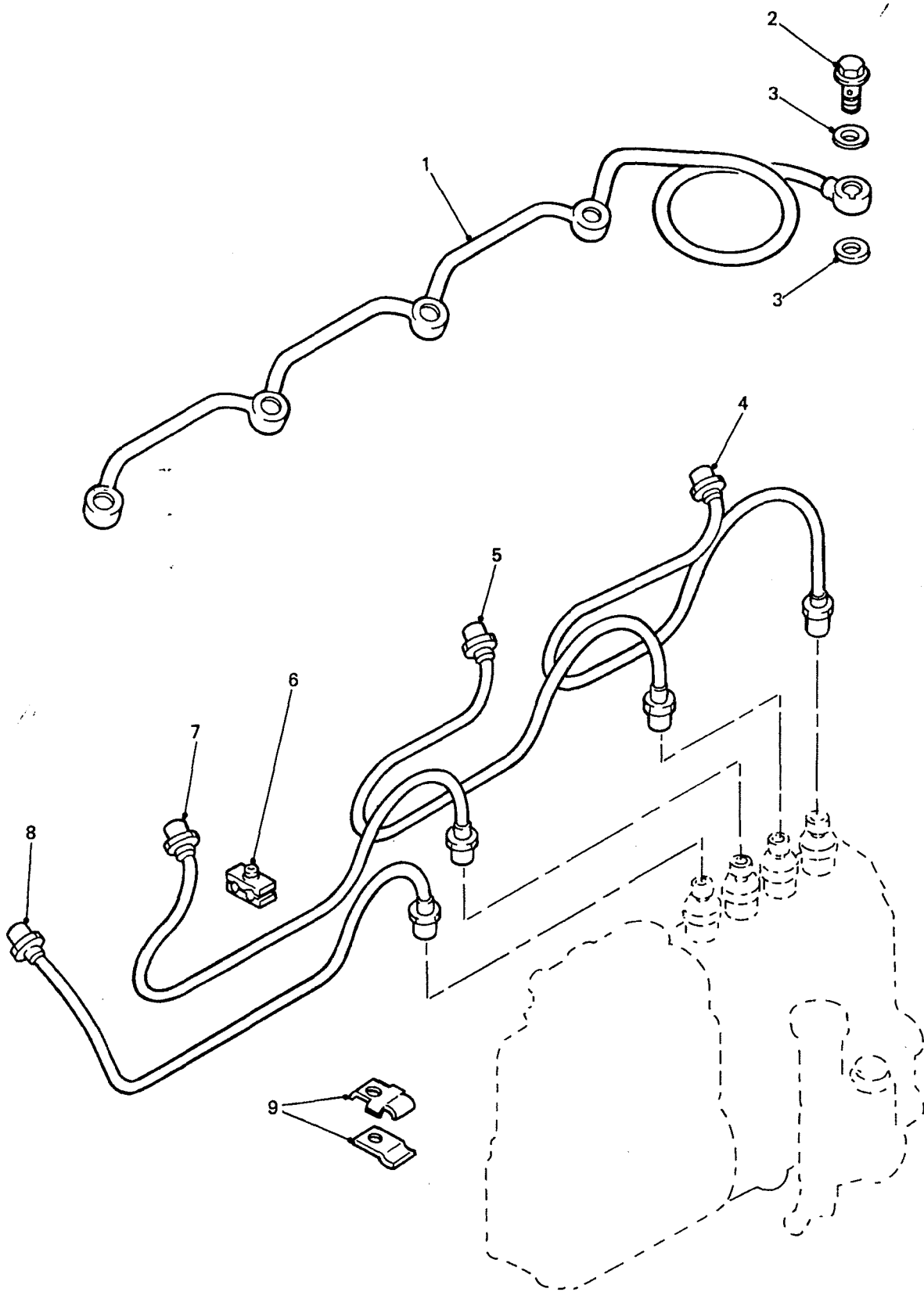
PERENTIE LAND ROVER PARTS LIST

ITEM	DBA/3/1 PART NO.	DESCRIPTION	NSN	DERIVATIVE CODE							CP
				2188	2189	2190	2191	2192	2194	2195	
24	MYH5321/160	HOSE-FUEL								2	
25	AYG541	FUEL PIPE-RETURN	4710-66-128-6124							1	
26	WL600051	WASHER-LOCK								4	
27	WA108051L	WASHER-PLAIN	5310-99-122-6475							4	
28	SH505061	SCREW								2	
29	FS108161	SCREW								4	
30	HYG3943	BRACKET-VALVE								1	
31	FN108041	NUT	5310-99-499-8033							2	
32	AYG528	PIPE-FUEL-RH TANK- RETURN	4710-66-128-6125							1	
33	MYH1763	CABLE TIE	5975-12-199-8964							2	
34	CN100708	CLAMP-HOSE	4730-66-128-6126							2	
35	AYG504	PIPE-FUEL-RH TANK-FEED	4710-66-128-6127							1	
	AYG503	PIPE-FUEL-LH TANK-FEED	4710-66-128-6128							1	
36	MYH5331/500	HOSE-FUEL								4	
37	MYH5323/120	HOSE-FUEL								2	
38	MYH3537	TEE PIECE								2	
39	MYH5323/280	HOSE-FUEL								2	
40	NH105041L	NUT	5310-66-098-4400							8	
41	WL105001L	WASHER-LOCK	5310-99-977-1102							8	
42	WC105001L	WASHER-PLAIN	5310-99-122-3032							16	
43	HYG2372	PIPE-FUEL FILLER-RH								1	
	HYG2373	PIPE-FUEL FILLER-LH								1	
44	R502951	LABEL-FUEL	9905-66-128-4521							2	
45	SP105121	SCREW	5305-99-135-0429							8	
46	WL108001L	WASHER-LOCK	5310-99-137-9231							2	

CHANGE POINT

ARN INTRODUCTION

GROUP DBB



FUEL INJECTOR LINES

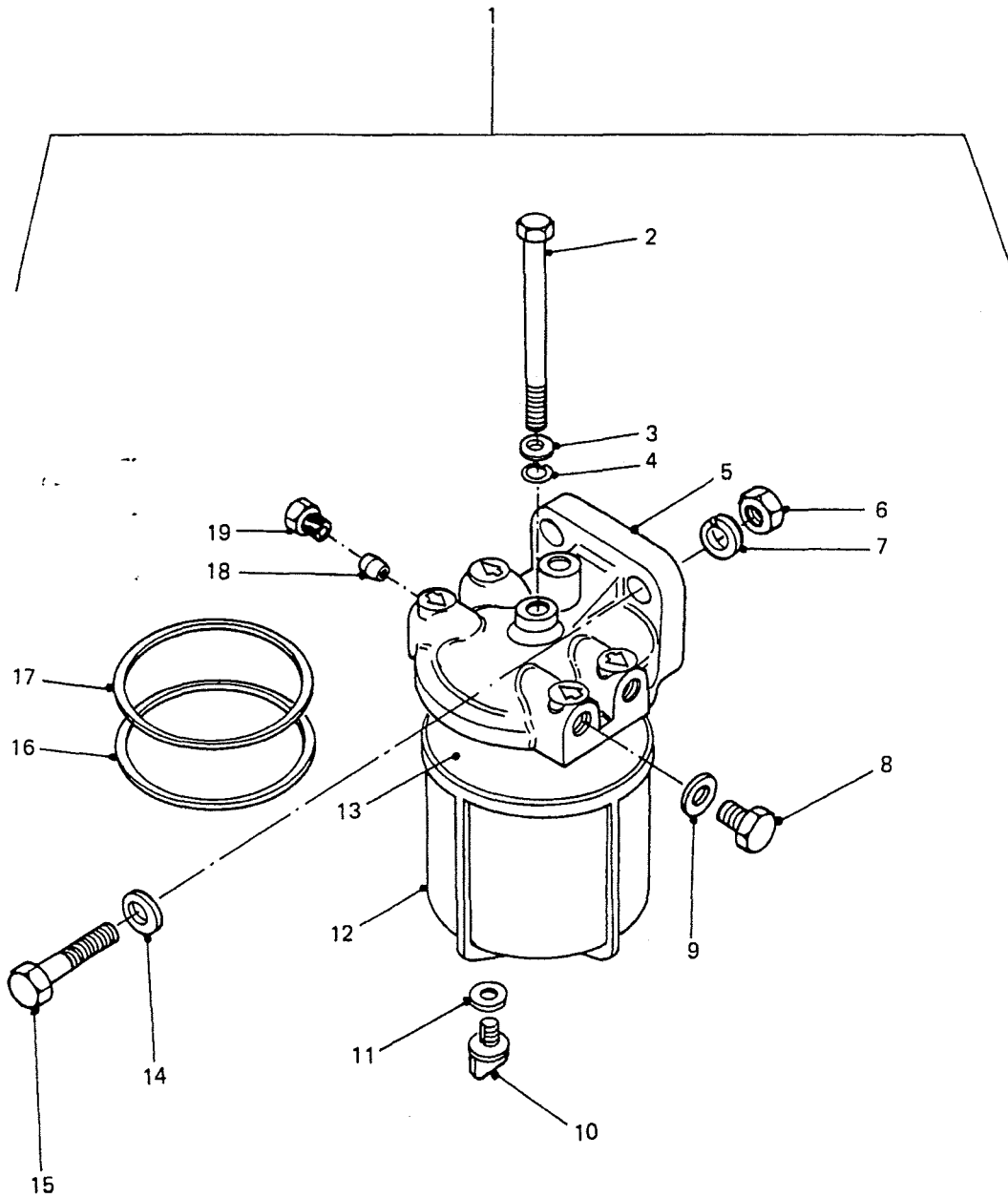
PERENTIE LAND ROVER PARTS LIST

<u>ITEM</u>	<u>DBB/1/1</u> <u>PART NO.</u>	<u>FUEL INJECTOR LINES</u> <u>DESCRIPTION</u>	<u>NSN</u>	<u>DERIVATIVE CODE</u>								<u>CP</u>
				<u>2188</u>	<u>2189</u>	<u>2190</u>	<u>2191</u>	<u>2192</u>	<u>2194</u>	<u>2195</u>	<u>2207</u>	
1	8944099660	PIPE-FUEL INJECTION	4710-66-128-4468	1	1	1	1	1	1	1	1	1
2	9099063141	BOLT FILTER	4730-66-128-4469	1	1	1	1	1	1	1	1	1
3	9095714080	WASHER-COPPER-LEAK OFF PIPE	5310-66-128-4271	2	2	2	2	2	2	2	2	2
4	5154116223	PIPE-FUEL INJECTION	4710-66-128-4470	1	1	1	1	1	1	1	1	1
5	5154116233	PIPE-FUEL INJECTION	4710-66-128-4471	1	1	1	1	1	1	1	1	1
6	5154190130	CLIP	5340-66-128-4472	3	3	3	3	3	3	3	3	3
7	5154116242	PIPE-FUEL INJECTION	4710-66-128-4473	1	1	1	1	1	1	1	1	1
8	5154116252	PIPE-FUEL INJECTION	4710-66-128-4474	1	1	1	1	1	1	1	1	1
9	5154190040	CLIP-RETAINER	5340-66-128-4475	1	1	1	1	1	1	1	1	1
	5154190051	CLIP-RETAINER	5340-66-128-4476	1	1	1	1	1	1	1	1	1

CHANGE POINT

ARN INTRODUCTION

GROUP DBC



FUEL SEDIMENTER

PERENTIE LAND ROVER PARTS LIST

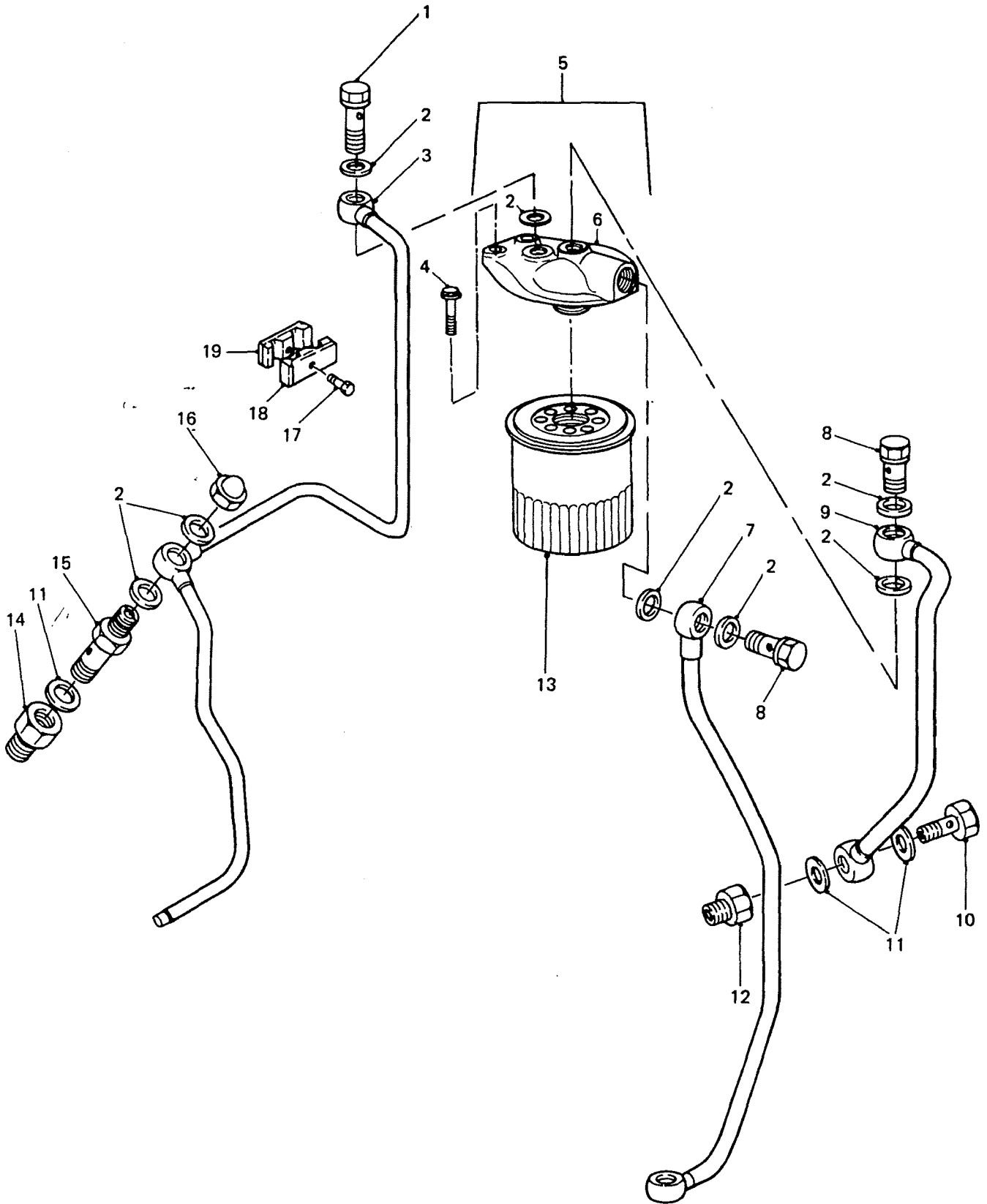
ITEM	PART NO.	DESCRIPTION	NSN	DERIVATIVE CODE							
				2188	2189	2190	2191	2192	2194	2195	2207 CP
1	NRC9708	SEDIMENTOR-FUEL (INCL ITEMS 2-5, 8-13, 16-18)	2910-99-825-4293	1	1	1	1	1	1	1	2
2	37H8119	BOLT	5306-99-808-3032	1	1	1	1	1	1	1	1
3	ABU1361	WASHER-PLAIN	5310-66-128-4369	1	1	1	1	1	1	1	1
4	37H770L	GASKET	5330-99-943-0008	1	1	1	1	1	1	1	1
5	NSS										
6	FN110041	NUT		2	2	2	2	2	2	2	4
7	WL110001L	WASHER-LOCK	5310-99-138-9228	2	2	2	2	2	2	2	4
8	R517689	PLUG-SEDIMENTOR	5365-99-801-4379	2	2	2	2	2	2	2	2
9	R517706	SPACER RING	5365-99-801-4380	2	2	2	2	2	2	2	2
10	37H7920	PLUG-DRAIN	4730-99-801-7686	1	1	1	1	1	1	1	1
11	R605011	WASHER-PLAIN	5310-99-801-7687	1	1	1	1	1	1	1	1
12	NSS										
13	NSS										
14	WA110061L	WASHER-PLAIN	5310-99-122-6476	2	2	2	2	2	2	2	4
15	FS110301	SCREW		2	2	2	2	2	2	2	4
16	AAU9903	SEAL-BODY-FUEL SEDIMENTOR	5330-99-829-2704	1	1	1	1	1	1	1	1
17	AAU9902	SEAL-HEAD-FUEL SEDIMENTOR	5330-66-128-4368	1	1	1	1	1	1	1	1
18	R542846	OLIVE	4730-99-801-7775	2	2	2	2	2	2	2	2
19	R577728	NUT-TUBE	4730-66-128-4516	2	2	2	2	2	2	2	2
	AYG2993	BRACKET-SEDIMENTOR LH SIDE									1
	FS108201	SCREW-BRKT ON LH CHASSIS RAIL									2
	WA108051L	WASHER-PLAIN	5310-99-122-6475								2
	WL108001L	WASHER-LOCK	5310-99-137-9231								2
	FN108041	NUT	5310-99-499-8033								2

CHANGE POINT

ARN INTRODUCTION

Dec 1999

GROUP DC



FUEL LINES AND FILTER

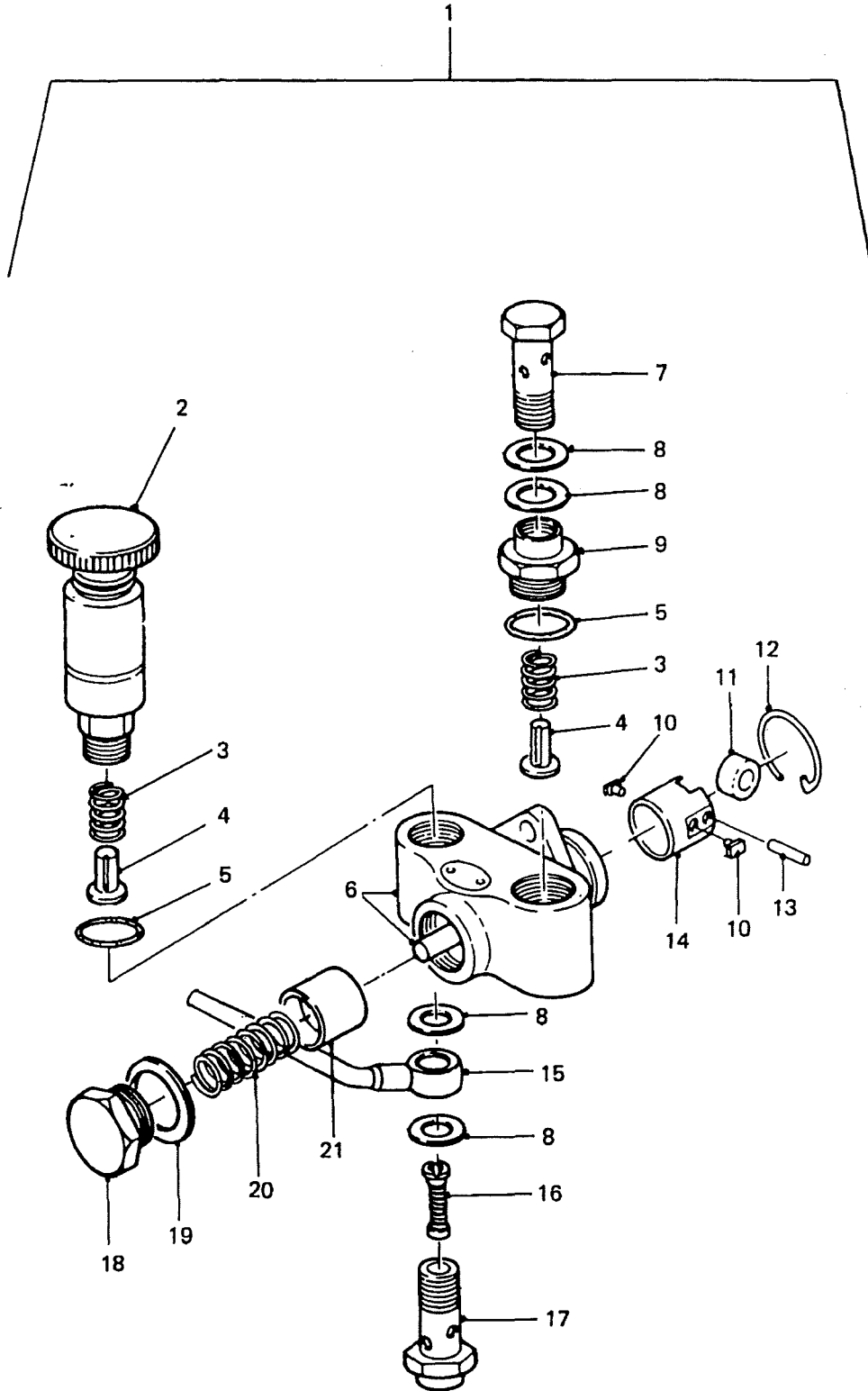
PERENTIE LAND ROVER PARTS LIST

ITEM	DC /1/1 PART NO.	FUEL LINES AND FILTER DESCRIPTION	NSN	DERIVATIVE CODE								
				2188	2189	2190	2191	2192	2194	2195	2207	CP
1	1132600470	VALVE-SAFETY RELIEF	4820-66-128-4894	1	1	1	1	1	1	1	1	1
2	1096300850	GASKET-VALVE	5330-66-128-4370	8	8	8	8	8	8	8	8	8
3	5154117781	PIPE-FUEL	4710-66-128-4828	1	1	1	1	1	1	1	1	1
4	9019910300	BOLT-FILTER	5306-66-128-4371	2	2	2	2	2	2	2	2	2
5	8943246700	FILTER-ASSY-FUEL (INCL ITEMS 1, 6, 13)		1	1	1	1	1	1	1	1	1
6	5132120700	HEAD-FILTER	2910-66-128-4610	1	1	1	1	1	1	1	1	1
7	5154117600	PIPE-FUEL	4710-66-128-4591	1	1	1	1	1	1	1	1	1
8	1096751460	BOLT	4730-66-128-4584	2	2	2	2	2	2	2	2	2
9	5154117190	PIPE ASSY-FUEL	4730-66-128-4590	1	1	1	1	1	1	1	1	1
10	1156190820	BOLT EYE	4730-66-128-4829	1	1	1	1	1	1	1	1	1
11	1157590010	WASHER-SEALING	5330-01-226-8690	3	3	3	3	3	3	3	3	3
12	9812350170	ADAPTOR-PUMP	4730-66-128-4832	1	1	1	1	1	1	1	1	1
13	8944537382	FILTER ELEMENT-FUEL	4330-66-128-4274	1	1	1	1	1	1	1	1	1
14	5156190440	ADAPTOR-PUMP	4730-66-128-4830	1	1	1	1	1	1	1	1	1
15	5156410140	VALVE-SAFETY RELIEF	4820-66-128-4884	1	1	1	1	1	1	1	1	1
16	1094680021	NUT CAP	5310-66-128-4583	1	1	1	1	1	1	1	1	1
17	9019006250	BOLT-CLIP	5306-66-128-4831	2	2	2	2	2	2	2	2	2
18	9097161140	CLIP	5340-66-128-4833	2	2	2	2	2	2	2	2	2
19	9097161240	CLIP	5340-66-128-4834	2	2	2	2	2	2	2	2	2

CHANGE POINT

ARN INTRODUCTION

GROUP DD



FUEL TRANSFER PUMP AND HAND PRIMER

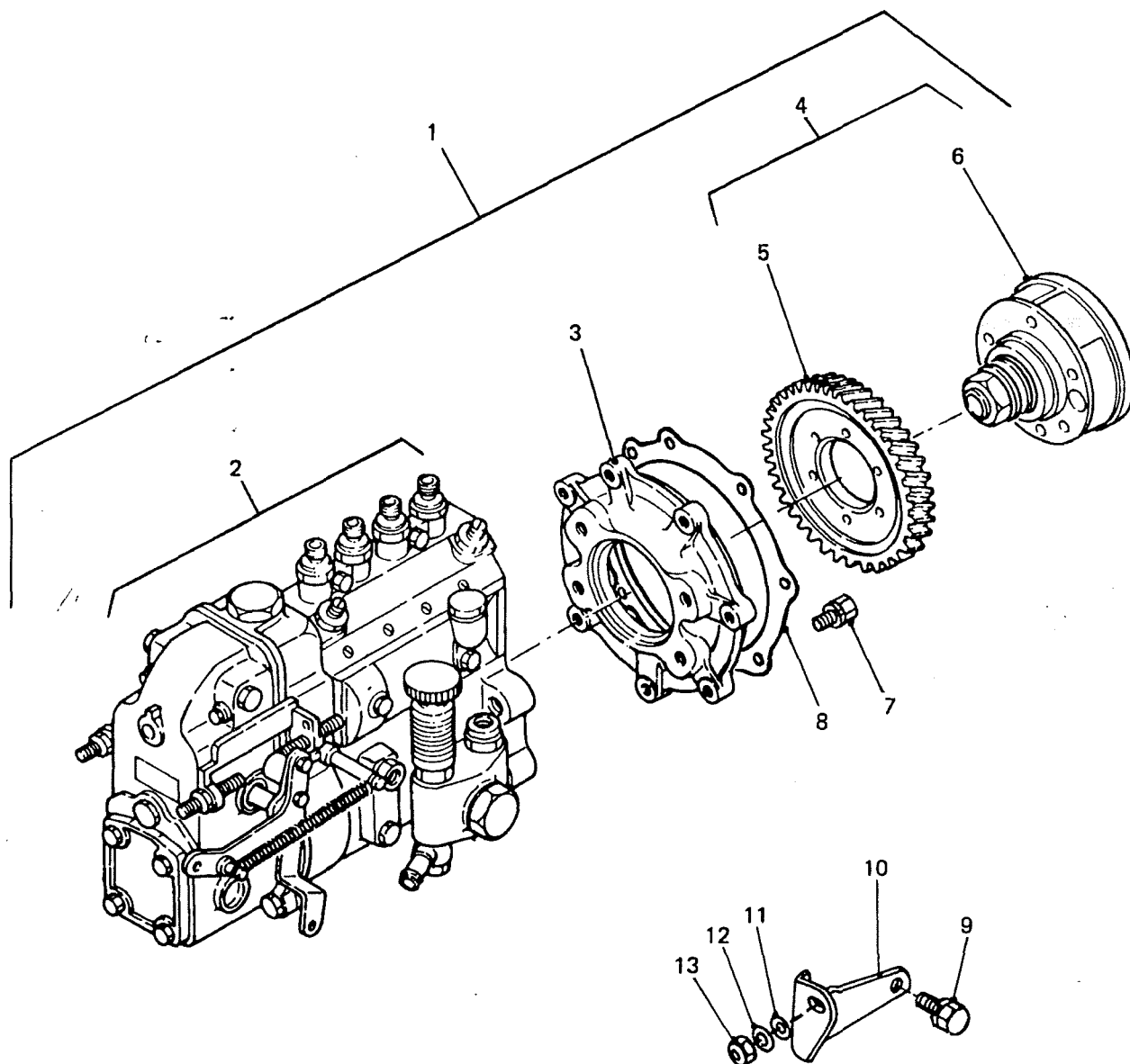
PERENTIE LAND ROVER PARTS LIST

ITEM	DD /1/1 PART NO.	FUEL TRANSFER PUMP AND HAND PRIMER DESCRIPTION	NSN	DERIVATIVE CODE							
				2188	2189	2190	2191	2192	2194	2195	2207 CP
1	8941327070	PUMP-FEED (INCL ITEMS 2-21)	2910-66-128-4536	1	1	1	1	1	1	1	1
2	1157610060	PUMP-PRIMING	2910-66-128-4537	1	1	1	1	1	1	1	1
3	9813517020	SPRING		2	2	2	2	2	2	2	2
4	9813516020	VALVE		2	2	2	2	2	2	2	2
5	1096230160	O RING	5330-66-128-4526	2	2	2	2	2	2	2	2
6	5157510120	HOUSING-PUMP		1	1	1	1	1	1	1	1
7	1156190820	BOLT EYE		1	1	1	1	1	1	1	1
8	1157590010	WASHER-SEALING	5330-01-226-8690	4	4	4	4	4	4	4	4
9	1157590030	ADAPTOR		1	1	1	1	1	1	1	1
10	1157590020	GUIDE		2	2	2	2	2	2	2	2
11	9813514030	ROLLER		1	1	1	1	1	1	1	1
12	9813550250	RING-SNAP		1	1	1	1	1	1	1	1
13	9813514100	PIN		1	1	1	1	1	1	1	1
14	5157540010	TAPPET-PUMP		1	1	1	1	1	1	1	1
15	5157590300	JOINT-EYE		1	1	1	1	1	1	1	1
16	NSS										
17	5157590270	BOLT (INCL ITEM 16)	4730-66-128-4528	1	1	1	1	1	1	1	1
18	8941711850	PLUG		1	1	1	1	1	1	1	1
19	9813550350	GASKET		1	1	1	1	1	1	1	1
20	9813513020	SPRING-PISTON		1	1	1	1	1	1	1	1
21	9813512050	PISTON		1	1	1	1	1	1	1	1

CHANGE POINT

ARN INTRODUCTION

GROUP DE



FUEL INJECTION PUMP

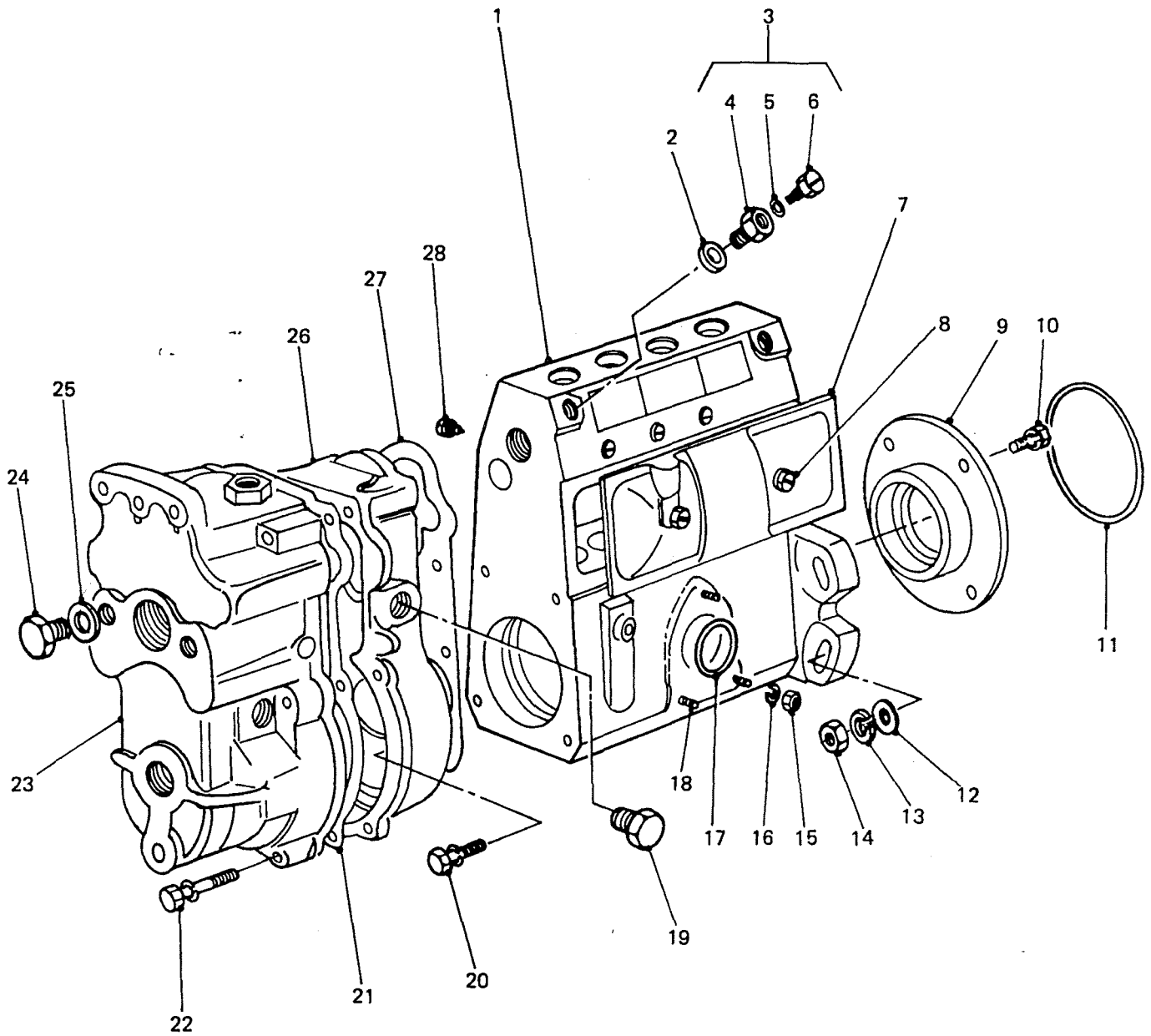
PERENTIE LAND ROVER PARTS LIST

ITEM	DE /1/1 PART NO.	FUEL INJECTION PUMP DESCRIPTION	NSN	DERIVATIVE CODE								CP
				2188	2189	2190	2191	2192	2194	2195	2207	
1	5156012743	PUMP-INJECTION (INCL ITEMS 2-6)	2910-66-128-4538	1	1	1	1	1	1	1	1	1
2	NSS											
3	5197510500	BRACKET-PUMP		1	1	1	1	1	1	1	1	1
4	5157400580	AUTO-TIMER (INCL ITEMS 5-6)		1	1	1	1	1	1	1	1	1
5	5125240760	GEAR-INJECTION PUMP		1	1	1	1	1	1	1	1	1
6	NSS											
7	5090000840	BOLT-COVER	5306-66-128-4453	7	7	7	7	7	7	7	7	7
8	8943706750	GASKET-INJECTION PUMP TO TIMING CASE	5330-66-128-4492	1	1	1	1	1	1	1	1	1
9	9019710200	BOLT 10.5MM LG THREAD		1	1	1	1	1	1	1	1	1
9	9019110200	BOLT-12.5MM LG. THREAD	5306-66-128-4438	1	1	1	1	1	1	1	1	1
10	5197510381	BRACKET-REAR		1	1	1	1	1	1	1	1	1
11	9091646100	WASHER-PLAIN		1	1	1	1	1	1	1	1	1
12	089151401A	WASHER LOCK	5310-66-128-4424	1	1	1	1	1	1	1	1	1
13	9091105100	NUT	5310-66-128-4520	1	1	1	1	1	1	1	1	1

CHANGE POINT

ARN INTRODUCTION

GROUP DEA

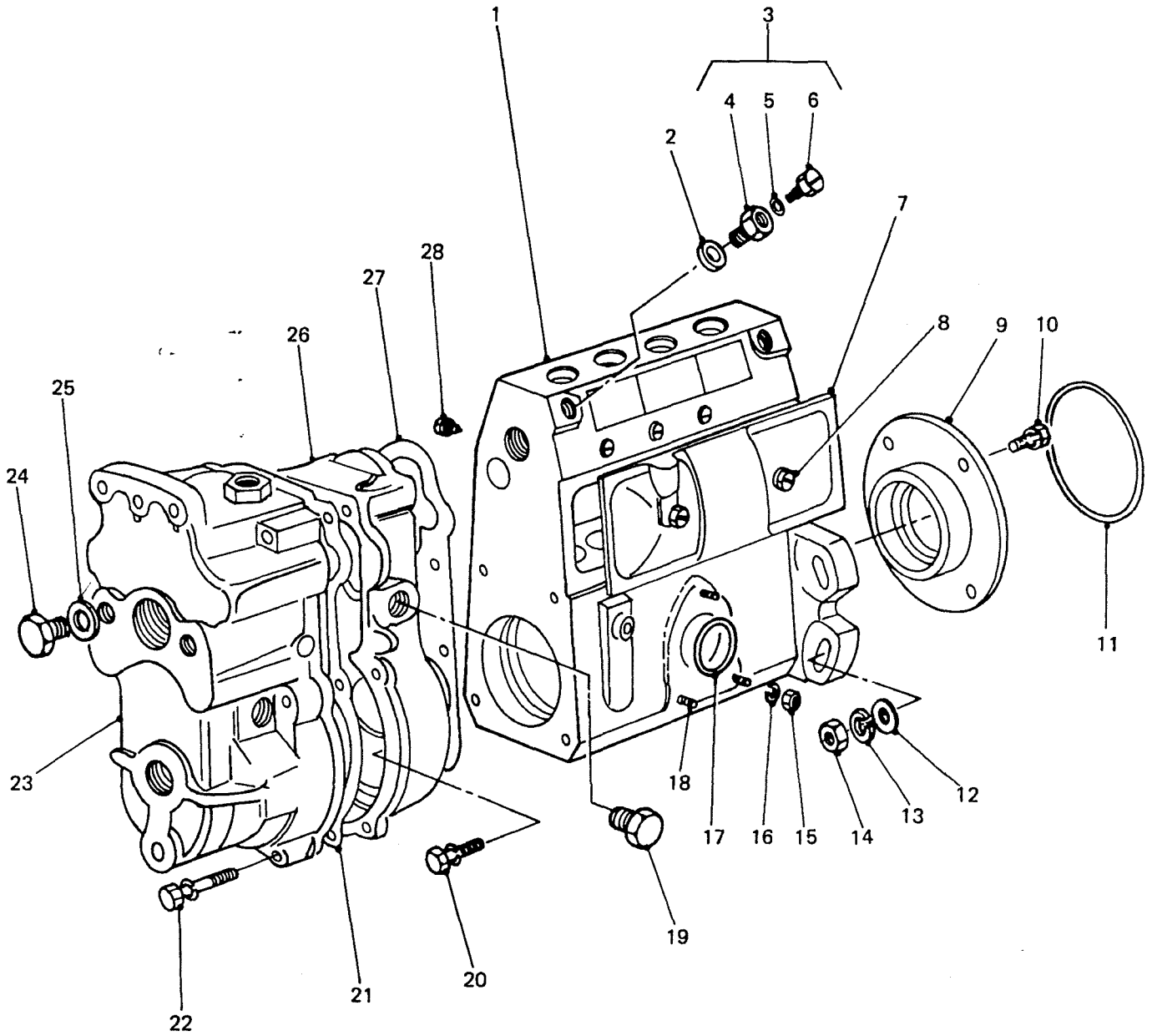


**FUEL INJECTION PUMP HOUSING, COVER,
PLUGS AND SEALS**

PERENTIE LAND ROVER PARTS LIST

ITEM	DEA/1/1 PART NO.	FUEL INJECTION PUMP HOUSING, COVER, PLUGS & SEALS DESCRIPTION	NSN	DERIVATIVE CODE							
				2188	2189	2190	2191	2192	2194	2195	2207 CP
1	5156110590	HOUSING INJECTION PUMP		1	1	1	1	1	1	1	1
2	8941445880	GASKET	5310-66-128-4532	1	1	1	1	1	1	1	1
3	1156190240	BOLT-PUMP (INCL ITEMS 4-6)	5305-66-128-4533	1	1	1	1	1	1	1	1
4	NSS										
5	NSS										
6	NSS										
7	8941711090	COVER-PUMP		1	1	1	1	1	1	1	1
8	1156190030	SCREW		2	2	2	2	2	2	2	2
	9812151440	GASKET-SCREW		2	2	2	2	2	2	2	2
9	1156192430	COVER-PUMP		1	1	1	1	1	1	1	1
10	9019006140	BOLT		4	4	4	4	4	4	4	4
11	5156191560	O RING-PUMP		1	1	1	1	1	1	1	1
12	9091606100	WASHER-PLAIN	5310-66-128-4534	4	4	4	4	4	4	4	4
13	089151401A	WASHER-LOCK	5310-66-128-4424	4	4	4	4	4	4	4	4
14	5156390020	NUT	5310-66-128-4535	4	4	4	4	4	4	4	4
15	1157290060	NUT		3	3	3	3	3	3	3	3
16	9420972	WASHER-LOCK	5310-66-128-4501	3	3	3	3	3	3	3	3
17	1096230130	O RING	5330-66-128-4540	1	1	1	1	1	1	1	1
18	9812151150	STUD-PUMP		3	3	3	3	3	3	3	3
19	5157290290	PLUG		1	1	1	1	1	1	1	1
20	5090300080	BOLT		1	1	1	1	1	1	1	1
20	5157290270	BOLT		6	6	6	6	6	6	6	6
21	5157290710	GASKET		1	1	1	1	1	1	1	1
22	5157290330	BOLT		7	7	7	7	7	7	7	7
23	5157210340	COVER-PUMP		1	1	1	1	1	1	1	1
24	5157290500	PLUG		1	1	1	1	1	1	1	1
25	5157290220	GASKET		1	1	1	1	1	1	1	1
26	5157210400	HOUSING-GOVERNOR		1	1	1	1	1	1	1	1
27	1157290010	GASKET		1	1	1	1	1	1	1	1

GROUP DEA



**FUEL INJECTION PUMP HOUSING, COVER,
PLUGS AND SEALS**

PERENTIE LAND ROVER PARTS LIST

DEA/1/1

FUEL INJECTION PUMP HOUSING, COVER, PLUGS & SEALS

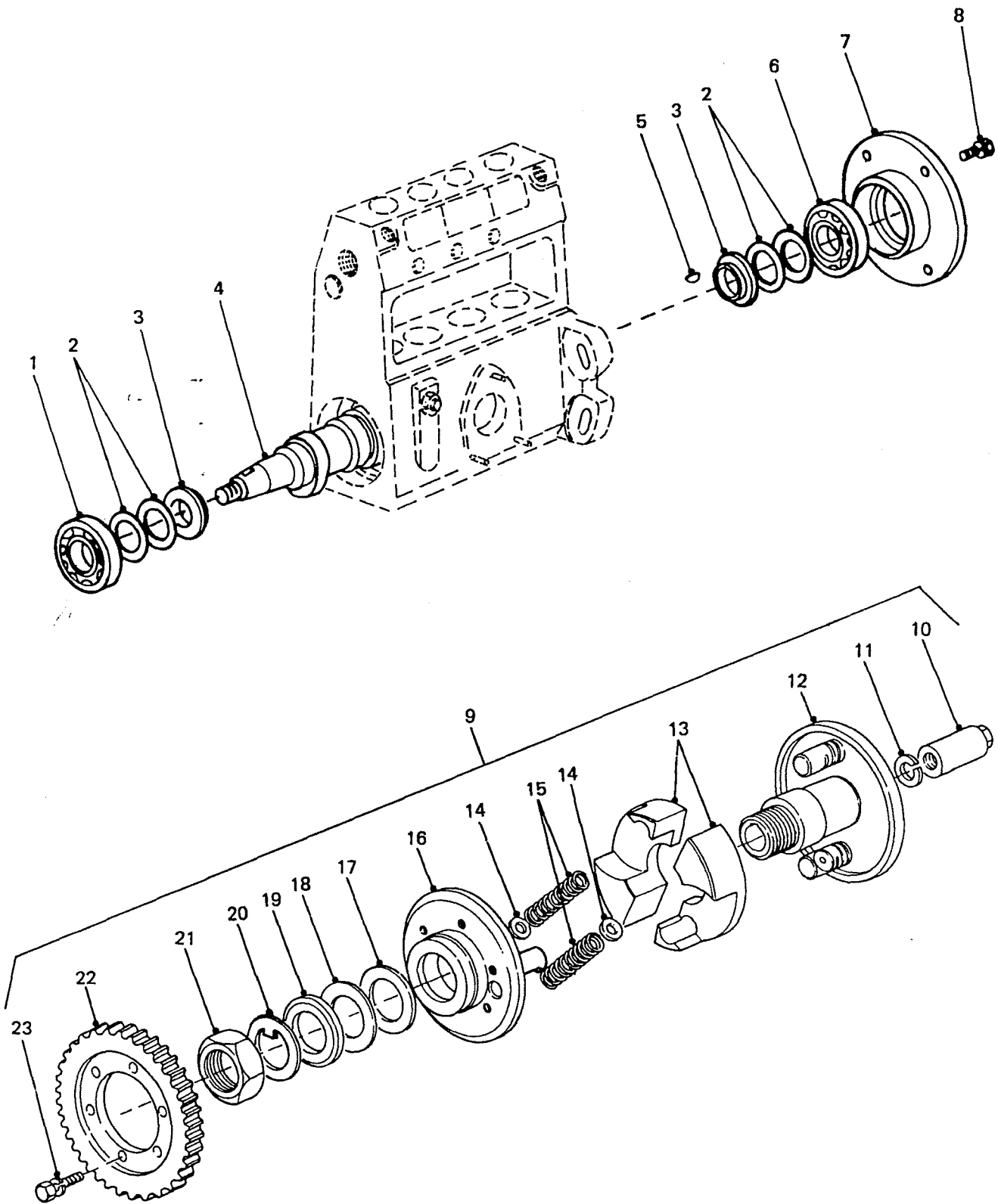
DERIVATIVE CODE

<u>ITEM</u>	<u>PART NO.</u>	<u>DESCRIPTION</u>	<u>NSN</u>	<u>2188</u>	<u>2189</u>	<u>2190</u>	<u>2191</u>	<u>2192</u>	<u>2194</u>	<u>2195</u>	<u>2207</u>	<u>CP</u>
28	1156390030	SCREW		1	1	1	1	1	1	1	1	1

CHANGE POINT

ARN INTRODUCTION

GROUP DEB

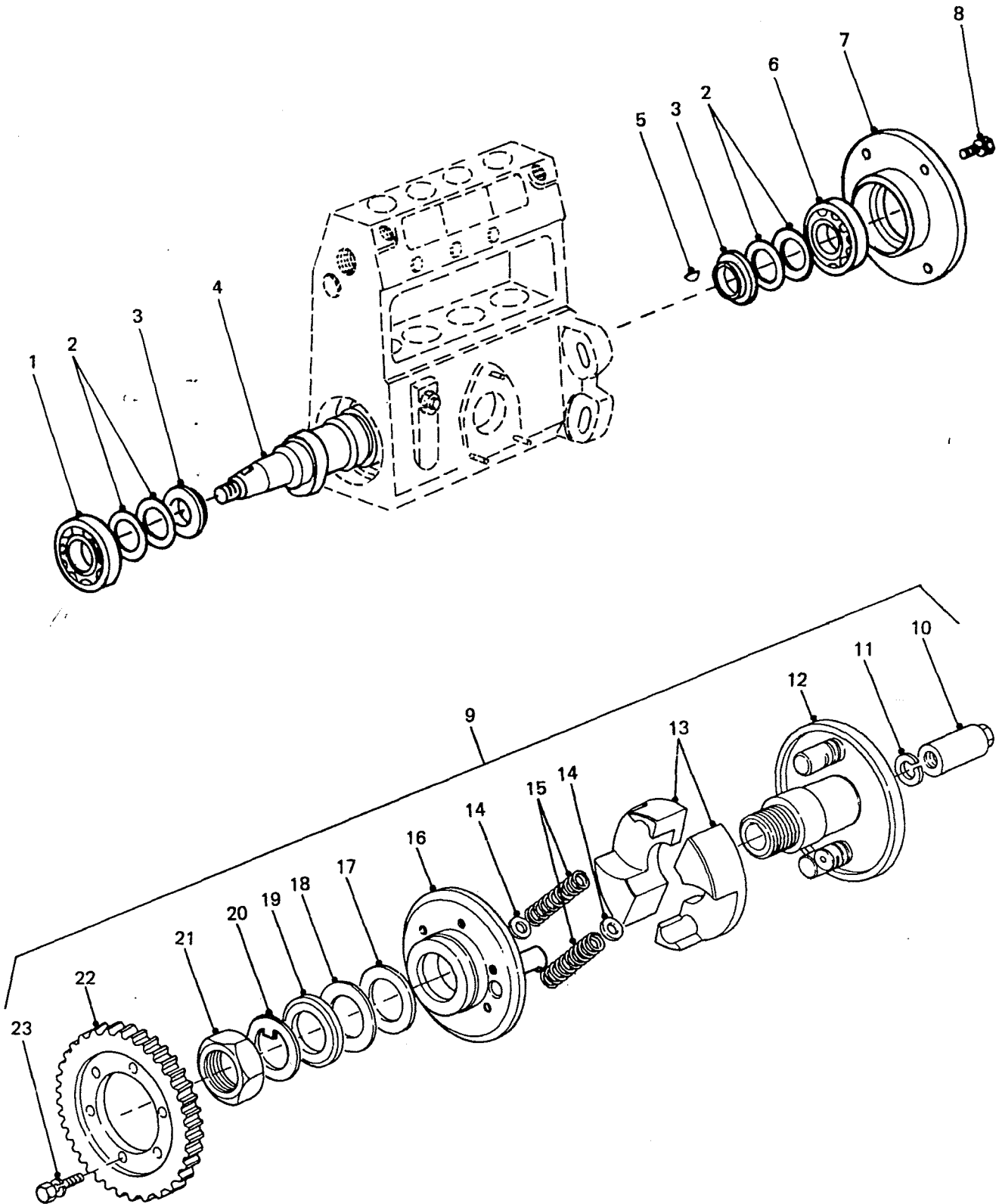


**CAMSHAFT, BEARINGS AND AUTOMATIC
TIMER**

PERENTIE LAND ROVER PARTS LIST

ITEM	DEB/1/1 PART NO.	CAMSHAFT, BEARINGS & AUTOMATIC TIMER DESCRIPTION	NSN	DERIVATIVE CODE							
				2188	2189	2190	2191	2192	2194	2195	2207 CP
1	5098000380	BEARING-PUMP		1	1	1	1	1	1	1	1
2	1156190900	SHIM-1.40MM		1	1	1	1	1	1	1	1
2	5156190380	SHIM-1.00MM		1	1	1	1	1	1	1	1
2	5156190390	SHIM-0.70MM		1	1	1	1	1	1	1	1
2	5156290200	SHIM-0.50MM		1	1	1	1	1	1	1	1
2	5156290210	SHIM-0.30MM		1	1	1	1	1	1	1	1
2	5156190900	SHIM-0.20MM		1	1	1	1	1	1	1	1
2	5156290190	SHIM-0.18MM		1	1	1	1	1	1	1	1
2	5156290180	SHIM-0.16MM		1	1	1	1	1	1	1	1
2	5156290170	SHIM-0.14MM		1	1	1	1	1	1	1	1
2	5156290160	SHIM-0.12MM		1	1	1	1	1	1	1	1
2	9813450430	SHIM-0.10MM		1	1	1	1	1	1	1	1
2	5156290150	SHIM-10MM		1	1	1	1	1	1	1	1
3	9812250470	RING-STEEL		2	2	2	2	2	2	2	2
4	5156210190	CAMSHAFT		1	1	1	1	1	1	1	1
5	5196190490	KEY-WOODRUFF		1	1	1	1	1	1	1	1
6	9000906770	BEARING-PUMP		1	1	1	1	1	1	1	1
7	1156192430	COVER-PUMP		1	1	1	1	1	1	1	1
8	9019006140	BOLT		4	4	4	4	4	4	4	4
9	5157400580	AUTO-TIMER (INCL ITEMS 10-23)		1	1	1	1	1	1	1	1
10	1156190010	NUT		1	1	1	1	1	1	1	1
11	5156190480	WASHER-LOCK		1	1	1	1	1	1	1	1
12	5157490010	HOLDER		1	1	1	1	1	1	1	1
13	5157430160	FLYWEIGHT		2	2	2	2	2	2	2	2
14	5157490110	SHIM-1.00MM		1	1	1	1	1	1	1	1
14	5157490710	SHIM-0.90MM		1	1	1	1	1	1	1	1
14	5157490700	SHIM-0.80MM		1	1	1	1	1	1	1	1
14	5157490690	SHIM-0.70MM		1	1	1	1	1	1	1	1
14	5157490100	SHIM-0.60MM		1	1	1	1	1	1	1	1

GROUP DEB



**CAMSHAFT, BEARINGS AND AUTOMATIC
TIMER**

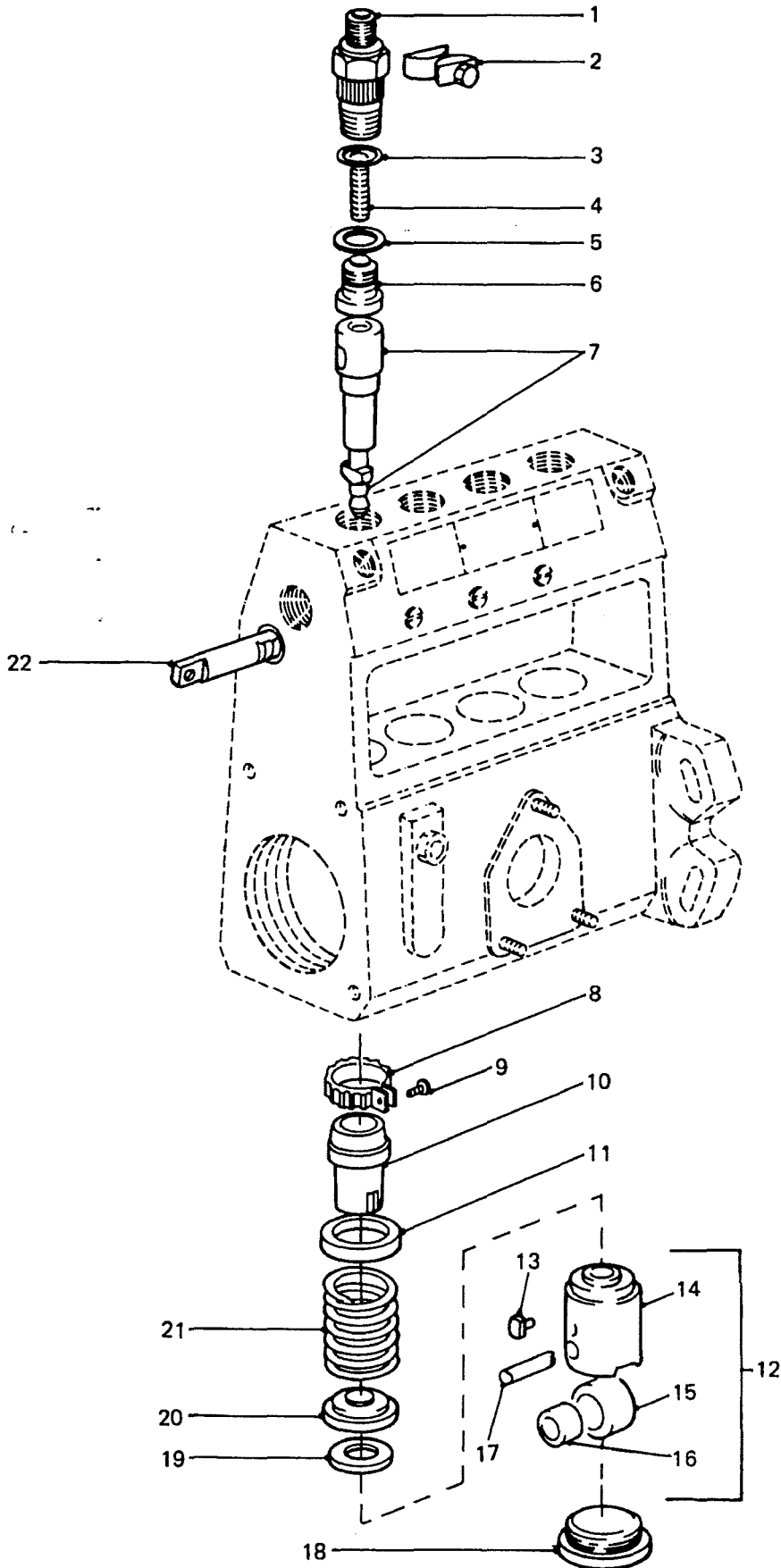
PERENTIE LAND ROVER PARTS LIST

ITEM	DEB/1/1 PART NO.	CAMSHAFT, BEARINGS & AUTOMATIC TIMER DESCRIPTION	NSN	DERIVATIVE CODE							
				2188	2189	2190	2191	2192	2194	2195	2207 CP
14	9813450450	SHIM-0.50MM		1	1	1	1	1	1	1	1
14	5157490680	SHIM-0.40MM		1	1	1	1	1	1	1	1
14	9813450440	SHIM-0.30MM		1	1	1	1	1	1	1	1
14	5157490090	SHIM-0.20MM		1	1	1	1	1	1	1	1
15	5157490570	SPRING		2	2	2	2	2	2	2	2
16	9813433030	FLANGE		1	1	1	1	1	1	1	1
17	9813453380	WASHER		1	1	1	1	1	1	1	1
18	9813453290	SHIM-0.50MM		1	1	1	1	1	1	1	1
18	9813453310	SHIM-0.30MM		1	1	1	1	1	1	1	1
18	9813453300	SHIM-0.20MM		1	1	1	1	1	1	1	1
18	9813453280	SHIM-0.18MM		1	1	1	1	1	1	1	1
18	9813453270	SHIM-0.16MM		1	1	1	1	1	1	1	1
18	9813453400	SHIM-0.14MM		1	1	1	1	1	1	1	1
18	9813453250	SHIM-0.12MM		1	1	1	1	1	1	1	1
18	9813453320	SHIM-0.10MM		1	1	1	1	1	1	1	1
19	5157490070	WASHER		1	1	1	1	1	1	1	1
20	9813450520	PLATE-LOCK		1	1	1	1	1	1	1	1
21	9813453060	NUT		1	1	1	1	1	1	1	1
22	5125240760	GEAR-INJECTION PUMP		1	1	1	1	1	1	1	1
23	9096020581	BOLT		6	6	6	6	6	6	6	6

CHANGE POINT

ARN INTRODUCTION

GROUP DEC

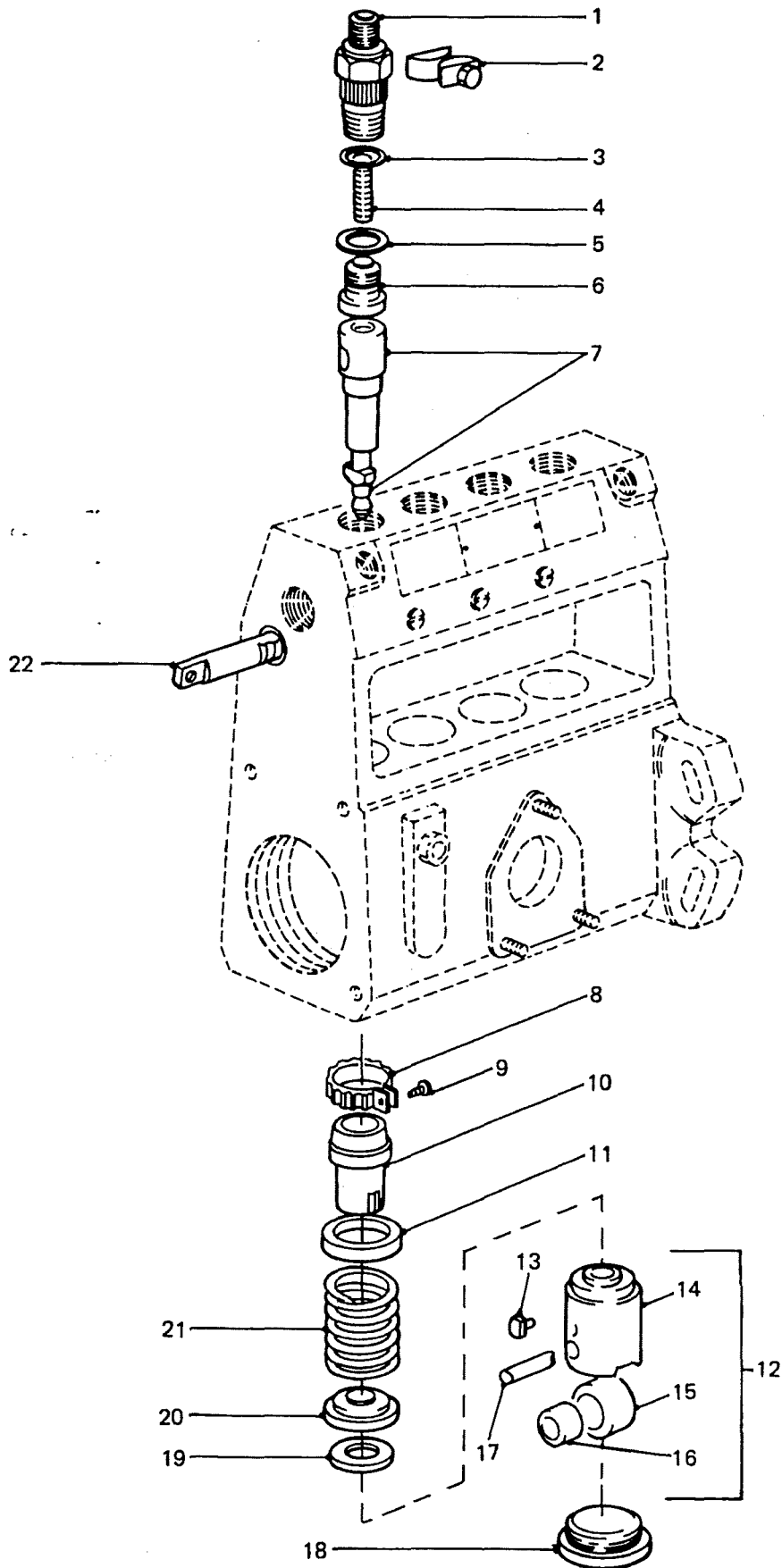


TAPPET, BARREL AND PLUNGER

PERENTIE LAND ROVER PARTS LIST

ITEM	PART NO.	DESCRIPTION	NSN	DERIVATIVE CODE								
				2188	2189	2190	2191	2192	2194	2195	2207 CP	
1	5156440100	HOLDER-VALVE		4	4	4	4	4	4	4	4	4
2	5156250010	PLATE-LOCATE		2	2	2	2	2	2	2	2	2
3	1096230520	O RING PUMP		4	4	4	4	4	4	4	4	4
4	5156430010	SPRING		4	4	4	4	4	4	4	4	4
5	1156490010	GASKET		4	4	4	4	4	4	4	4	4
6	1156410060	VALVE		4	4	4	4	4	4	4	4	4
7	5156310070	PLUNGER		4	4	4	4	4	4	4	4	4
8	9812250570	PINION		4	4	4	4	4	4	4	4	4
9	9812350030	SCREW		4	4	4	4	4	4	4	4	4
10	9812250580	SLEEVE-CONTROL		4	4	4	4	4	4	4	4	4
11	9812350150	SEAT-SPRING		4	4	4	4	4	4	4	4	4
12	9812212230	TAPPET (INCL ITEMS 13-17)		4	4	4	4	4	4	4	4	4
13	5156190410	GUIDE		4	4	4	4	4	4	4	4	4
14	NSS											
15	1156220030	ROLLER		4	4	4	4	4	4	4	4	4
16	1156290010	BUSH		4	4	4	4	4	4	4	4	4
17	9812212200	PIN		4	4	4	4	4	4	4	4	4
18	5156191360	PLUG PUMP		4	4	4	4	4	4	4	4	4
19	5156191070	SHIM-1.60MM		1	1	1	1	1	1	1	1	1
19	5156191100	SHIM-1.55MM		1	1	1	1	1	1	1	1	1
19	5156191060	SHIM-1.50MM		1	1	1	1	1	1	1	1	1
19	5156191090	SHIM-1.45MM		1	1	1	1	1	1	1	1	1
19	5156190100	SHIM-1.40MM		1	1	1	1	1	1	1	1	1
19	5156191080	SHIM-1.35MM		1	1	1	1	1	1	1	1	1
19	5156190090	SHIM-1.30MM		1	1	1	1	1	1	1	1	1
19	9813250450	SHIM-1.25MM		1	1	1	1	1	1	1	1	1
19	5156190080	SHIM-1.20MM		1	1	1	1	1	1	1	1	1
19	9813250440	SHIM-1.15MM		1	1	1	1	1	1	1	1	1
19	5156190070	SHIM-1.10MM		1	1	1	1	1	1	1	1	1

GROUP DEC



TAPPET, BARREL AND PLUNGER

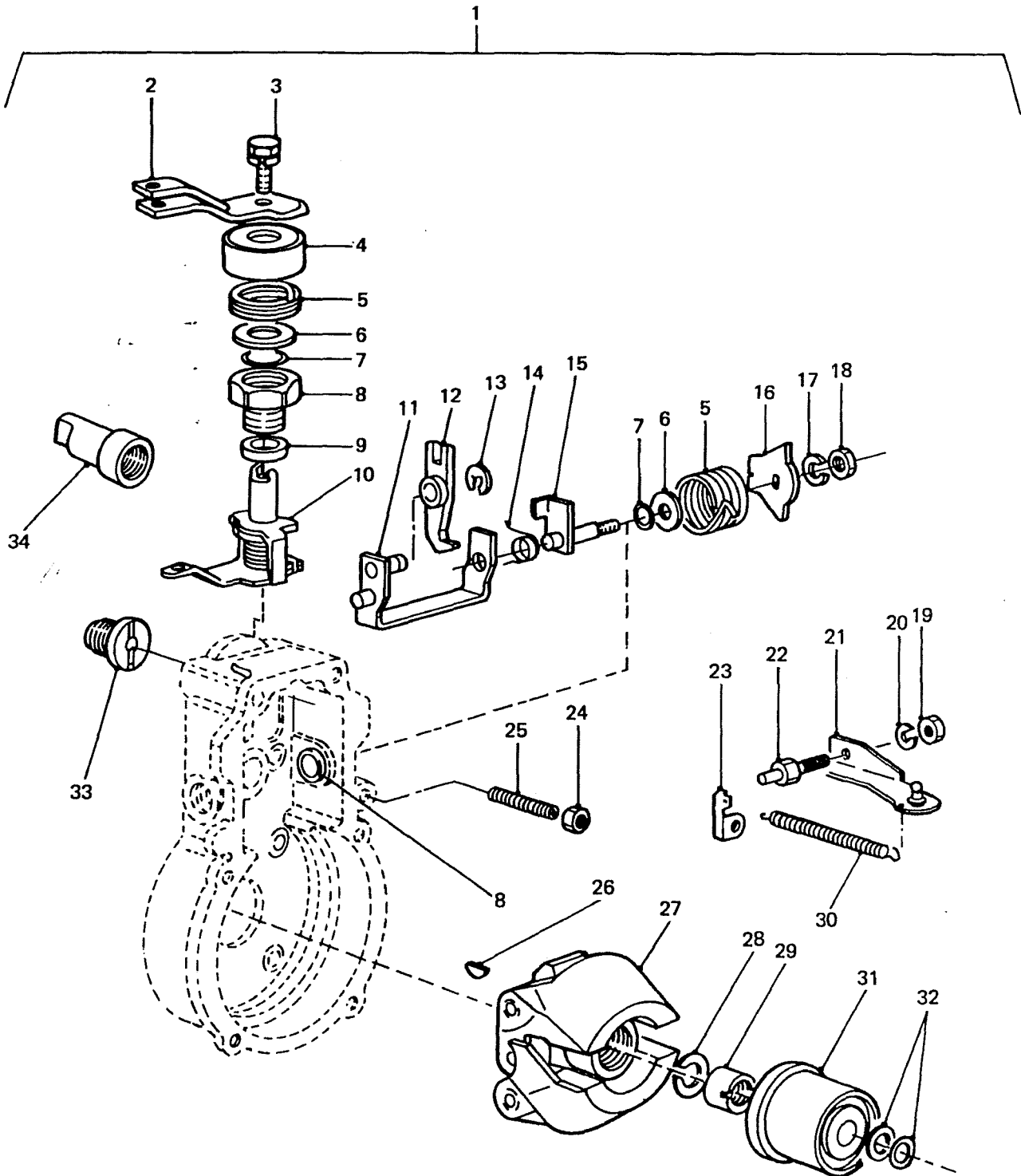
PERENTIE LAND ROVER PARTS LIST

ITEM	PART NO.	DESCRIPTION	NSN	DERIVATIVE CODE								
				2188	2189	2190	2191	2192	2194	2195	2207	CP
19	9813250430	SHIM-1.05MM		1	1	1	1	1	1	1	1	1
19	5156190050	SHIM-1.00MM		1	1	1	1	1	1	1	1	1
19	9813250420	SHIM-0.95MM		1	1	1	1	1	1	1	1	1
19	5156190040	SHIM-0.90MM		1	1	1	1	1	1	1	1	1
19	5156190150	SHIM-0.85MM		1	1	1	1	1	1	1	1	1
19	5156190030	SHIM-0.80MM		1	1	1	1	1	1	1	1	1
19	5156190130	SHIM-0.75MM		1	1	1	1	1	1	1	1	1
19	5156190020	SHIM-0.70MM		1	1	1	1	1	1	1	1	1
19	5156190120	SHIM-0.65MM		1	1	1	1	1	1	1	1	1
19	5156190010	SHIM-0.60MM		1	1	1	1	1	1	1	1	1
19	5156190110	SHIM-0.55MM		1	1	1	1	1	1	1	1	1
19	5156190360	SHIM-0.50MM		1	1	1	1	1	1	1	1	1
19	5156190370	SHIM-0.45MM		1	1	1	1	1	1	1	1	1
19	5156190350	SHIM-0.40MM		1	1	1	1	1	1	1	1	1
19	5156190270	SHIM-0.35MM		1	1	1	1	1	1	1	1	1
19	5156190340	SHIM-0.30MM		1	1	1	1	1	1	1	1	1
19	5156190260	SHIM-0.25MM		1	1	1	1	1	1	1	1	1
19	5156190250	SHIM-0.20MM		1	1	1	1	1	1	1	1	1
20	9812350210	SEAT-SPRING		4	4	4	4	4	4	4	4	4
21	5156430090	SPRING-PLUNGER		4	4	4	4	4	4	4	4	4
22	5156370020	RACK-CONTROL		1	1	1	1	1	1	1	1	1

CHANGE POINT

ARN INTRODUCTION

GROUP DED SHEET 1

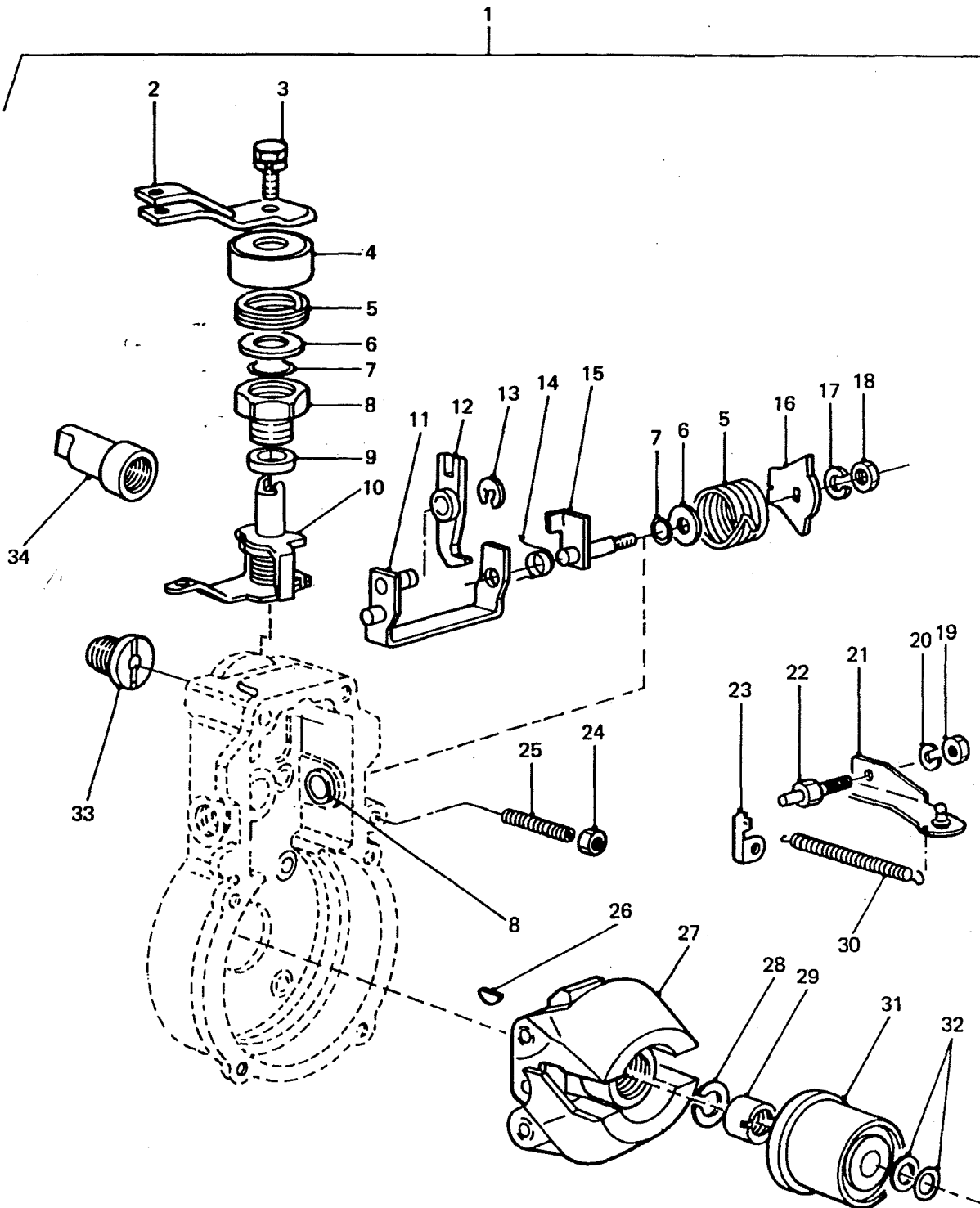


GOVERNOR ASSEMBLY

PERENTIE LAND ROVER PARTS LIST

ITEM	DED/1/1 PART NO.	GOVERNOR ASSEMBLY DESCRIPTION	NSN	DERIVATIVE CODE							
				2188	2189	2190	2191	2192	2194	2195	2207 CP
1	5157202260	GOVERNOR-ASSY (INCL ITEMS 2-82)		1	1	1	1	1	1	1	1
2	AYG2668	LEVER-STOP		1	1	1	1	1	1	1	1
3	9019606160	BOLT		1	1	1	1	1	1	1	1
4	9813252100	CAP		1	1	1	1	1	1	1	1
5	5157230320	SPRING		2	2	2	2	2	2	2	2
6	9884104210	SHIM-0.20MM		1	1	1	1	1	1	1	1
6	9813255590	SHIM-0.25MM		1	1	1	1	1	1	1	1
6	9813255570	SHIM-0.30MM		1	1	1	1	1	1	1	1
6	9813255600	SHIM-0.35MM		1	1	1	1	1	1	1	1
6	9813255580	SHIM-0.40MM		1	1	1	1	1	1	1	1
6	9813255560	SHIM-0.50MM		1	1	1	1	1	1	1	1
7	9813919060	O.RING		2	2	2	2	2	2	2	2
8	9813254290	BUSH-HEX		2	2	2	2	2	2	2	2
9	5157291810	COLLAR		1	1	1	1	1	1	1	1
10	5157250630	LEVER		1	1	1	1	1	1	1	1
11	5157250070	LEVER		1	1	1	1	1	1	1	1
12	5157250050	LEVER		1	1	1	1	1	1	1	1
13	9813254450	RING-SNAP		1	1	1	1	1	1	1	1
14	5157230330	SPRING		1	1	1	1	1	1	1	1
15	1157298200	SHAFT		1	1	1	1	1	1	1	1
16	5157250620	LEVER		1	1	1	1	1	1	1	1
17	9091505050	WASHER-LOCK		1	1	1	1	1	1	1	1
18	11014031	NUT	5310-66-128-4421	1	1	1	1	1	1	1	1
19	5157290690	NUT		1	1	1	1	1	1	1	1
20	9091505050	WASHER-LOCK		1	1	1	1	1	1	1	1
21	5157250110	LINK		1	1	1	1	1	1	1	1
22	5157291820	BOLT		1	1	1	1	1	1	1	1
23	8944722650	PLATE		1	1	1	1	1	1	1	1
24	9813250810	NUT		1	1	1	1	1	1	1	1

GROUP DED SHEET 1



GOVERNOR ASSEMBLY

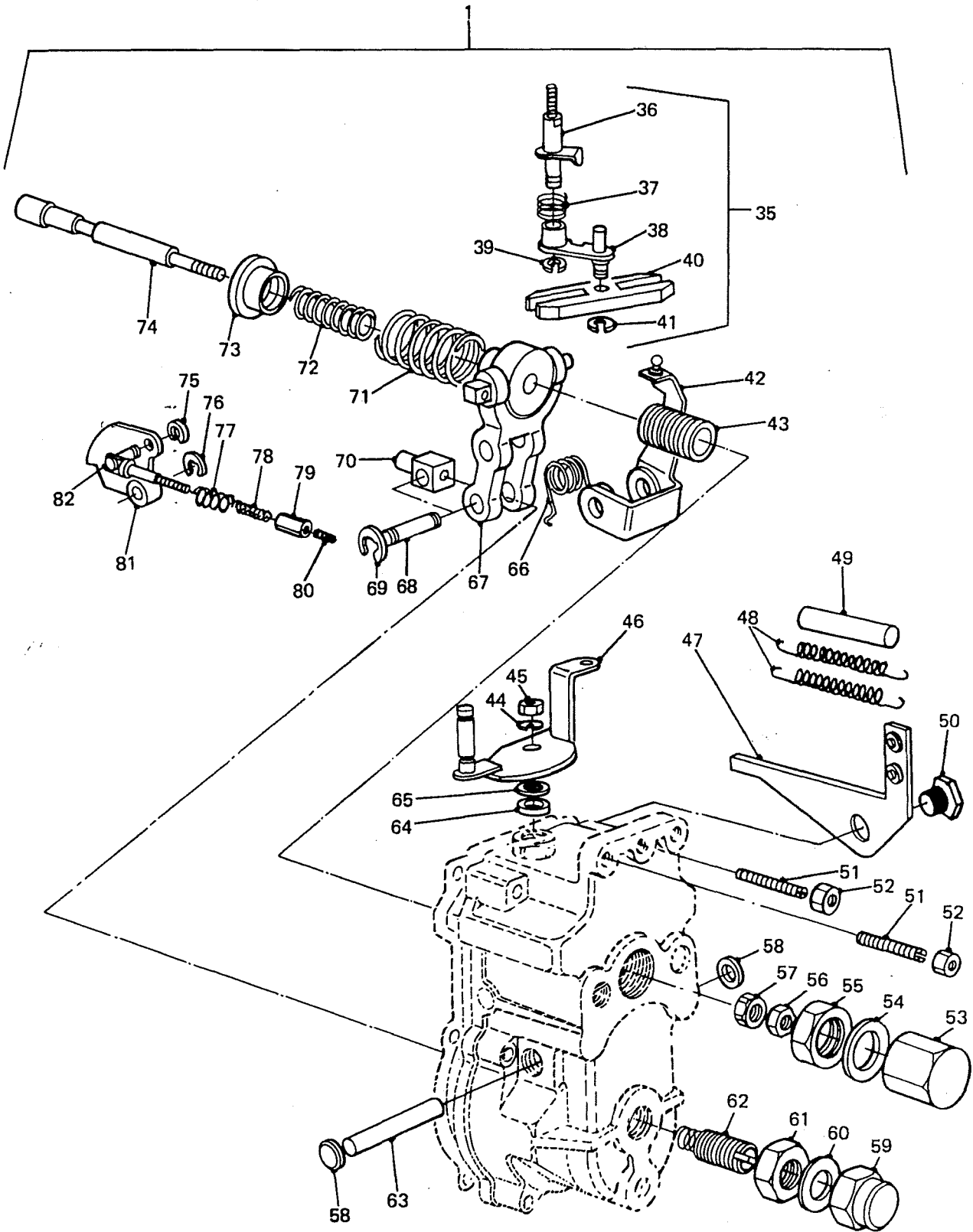
PERENTIE LAND ROVER PARTS LIST

ITEM	PART NO.	DESCRIPTION	NSN	DERIVATIVE CODE								
				2188	2189	2190	2191	2192	2194	2195	2207	CP
25	5157290440	SCREW		1	1	1	1	1	1	1	1	1
26	5196190490	KEY-WOODRUFF		1	1	1	1	1	1	1	1	1
27	9813213250	FLYWEIGHT-ASSY		1	1	1	1	1	1	1	1	1
28	5157290340	WASHER-LOCK		1	1	1	1	1	1	1	1	1
29	9813250860	NUT		1	1	1	1	1	1	1	1	1
30	5157230440	SPRING		1	1	1	1	1	1	1	1	1
31	5157290160	SLEEVE		1	1	1	1	1	1	1	1	1
32	9813250880	SHIM-0.20MM		1	1	1	1	1	1	1	1	1
32	9813255510	SHIM-0.30MM		1	1	1	1	1	1	1	1	1
32	9813255520	SHIM-0.40MM		1	1	1	1	1	1	1	1	1
32	9813255530	SHIM-1.00MM		1	1	1	1	1	1	1	1	1
33	9813150650	ADAPTOR		1	1	1	1	1	1	1	1	1
34	9813254350	LIMITER-FUEL PUMP		1	1	1	1	1	1	1	1	1

CHANGE POINT

ARN INTRODUCTION

GROUP DED SHEET 2

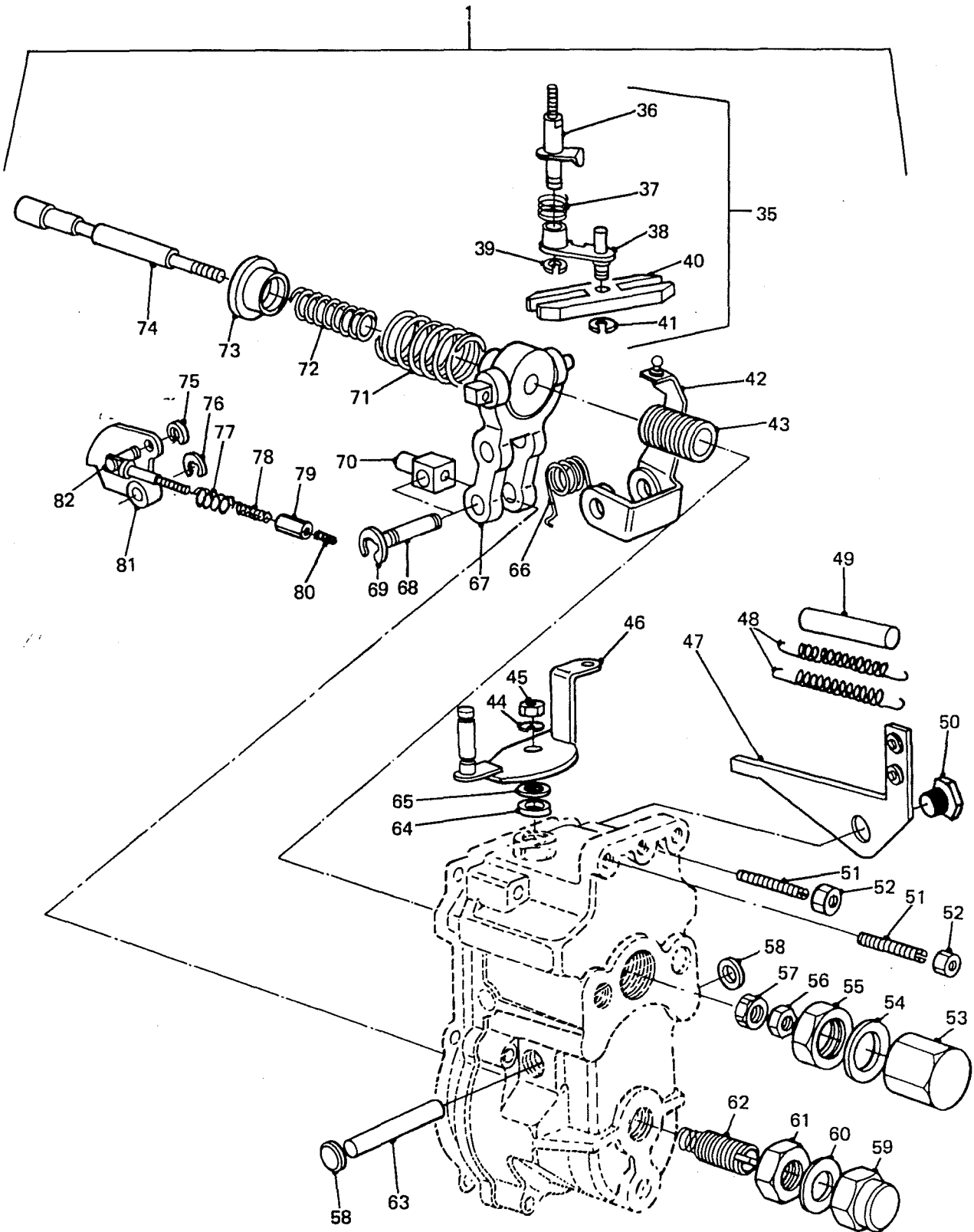


GOVERNOR ASSEMBLY

PERENTIE LAND ROVER PARTS LIST

ITEM	DED/1/2 PART NO.	GOVERNOR ASSEMBLY DESCRIPTION	NSN	DERIVATIVE CODE								
				2188	2189	2190	2191	2192	2194	2195	2207 CP	
35	1157254900	LEVER ASSY (INCLUDES ITEMS 36-41)		1	1	1	1	1	1	1	1	1
36	NSS											
37	NSS											
38	NSS											
39	NSS											
40	NSS											
41	NSS											
42	5157250100	GUIDE-LEVER		1	1	1	1	1	1	1	1	1
	5157290310	COLLAR (PART OF ITEM 42)		2	2	2	2	2	2	2	2	2
43	5157290400	SCREW-GUIDE		1	1	1	1	1	1	1	1	1
44	9091505080	WASHER-LOCK	5310-66-128-4420	1	1	1	1	1	1	1	1	1
45	11014031	NUT	5310-66-128-4421	1	1	1	1	1	1	1	1	1
46	5157250940	LEVER		1	1	1	1	1	1	1	1	1
47	8941711250	BRACKET		1	1	1	1	1	1	1	1	1
48	5157231340	SPRING		2	2	2	2	2	2	2	2	2
49	5157290740	TUBE		2	2	2	2	2	2	2	2	2
50	8941711260	BOLT-BRACKET		1	1	1	1	1	1	1	1	1
51	5157291230	SCREW		2	2	2	2	2	2	2	2	2
52	9813252370	NUT		2	2	2	2	2	2	2	2	2
53	5157290410	CAP		1	1	1	1	1	1	1	1	1
54	5157290210	GASKET		1	1	1	1	1	1	1	1	1
55	5157290680	NUT		1	1	1	1	1	1	1	1	1
56	5157290670	NUT		1	1	1	1	1	1	1	1	1
57	5157290590	NUT		1	1	1	1	1	1	1	1	1
58	5157290760	PLUG		2	2	2	2	2	2	2	2	2
59	5157292120	NUT-CAP		1	1	1	1	1	1	1	1	1
60	5157292110	GASKET-GOVERNOR		1	1	1	1	1	1	1	1	1
61	5157292100	NUT		1	1	1	1	1	1	1	1	1

GROUP DED SHEET 2



GOVERNOR ASSEMBLY

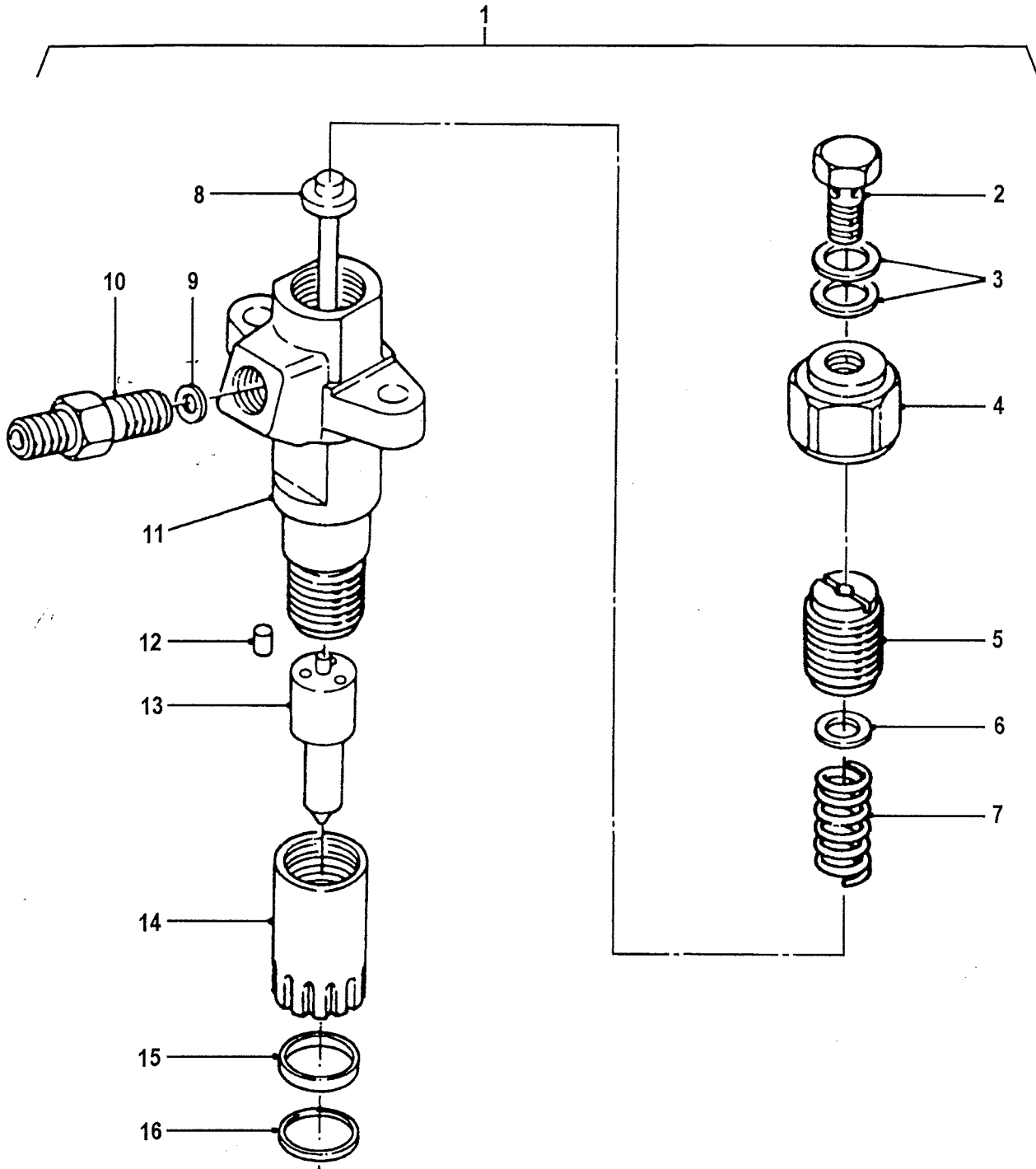
PERENTIE LAND ROVER PARTS LIST

ITEM	DED/1/2 PART NO.	GOVERNOR ASSEMBLY DESCRIPTION	NSN	DERIVATIVE CODE							
				2188	2189	2190	2191	2192	2194	2195	2207 CP
62	5157231260	SPRING		1	1	1	1	1	1	1	1
63	5157250080	SHAFT		1	1	1	1	1	1	1	1
64	5157290190	SEAL-OIL		1	1	1	1	1	1	1	1
65	9884104210	SHIM-0.20MM		1	1	1	1	1	1	1	1
	9813255590	SHIM-0.25MM		1	1	1	1	1	1	1	1
	9813255570	SHIM-0.30MM		1	1	1	1	1	1	1	1
	9813255600	SHIM-0.35MM		1	1	1	1	1	1	1	1
	9813255580	SHIM-0.40MM		1	1	1	1	1	1	1	1
	9813255560	SHIM-0.50MM		1	1	1	1	1	1	1	1
66	5157230930	SPRING-GOVERNOR		1	1	1	1	1	1	1	1
67	5157250680	LEVER-TENSION		1	1	1	1	1	1	1	1
68	5157290320	PIN		1	1	1	1	1	1	1	1
69	9884102010	RING-SNAP		1	1	1	1	1	1	1	1
70	5157290360	SHIFTER		1	1	1	1	1	1	1	1
71	5157230410	SPRING		1	1	1	1	1	1	1	1
72	5157230430	SPRING		1	1	1	1	1	1	1	1
73	8941711730	SEAT-SPRING		1	1	1	1	1	1	1	1
74	5157290390	SHAFT		1	1	1	1	1	1	1	1
75	9091854040	RING-SNAP		1	1	1	1	1	1	1	1
76	5157290230	RING-SNAP		1	1	1	1	1	1	1	1
77	5157230570	SPRING		1	1	1	1	1	1	1	1
78	5157230560	SPRING		1	1	1	1	1	1	1	1
79	5157290510	NUT		1	1	1	1	1	1	1	1
80	5157290300	SCREW		1	1	1	1	1	1	1	1
81	5157292160	PLATE-CAM		1	1	1	1	1	1	1	1
82	5157250090	ROD		1	1	1	1	1	1	1	1

CHANGE POINT

ARN INTRODUCTION

GROUP DF



FUEL INJECTOR

PERENTIE LAND ROVER PARTS LIST

ITEM	DF /1/1 PART NO.	FUEL INJECTOR DESCRIPTION	NSN	DERIVATIVE CODE								CP
				2188	2189	2190	2191	2192	2194	2195	2207	
1	HYL8706	INJECTOR	2910-66-128-4592	4	4	4	4	4	4	4	4	4
2	1096751390	BOLT-EYE		4	4	4	4	4	4	4	4	4
3	9095714080	WASHER-COPPER-LEAK OFF PIPE	5310-66-128-4271	8	8	8	8	8	8	8	8	8
4	8941711940	NUT-CAP		4	4	4	4	4	4	4	4	4
5	9153430110	SCREW		4	4	4	4	4	4	4	4	4
6	9153390570	WASHER		4	4	4	4	4	4	4	4	4
7	9153430130	SPRING		4	4	4	4	4	4	4	4	4
8	5153410010	ROD-PUSH		4	4	4	4	4	4	4	4	4
9	5153390030	SEAL-COPPER-INJECTOR NOZZLE		4	4	4	4	4	4	4	4	4
10	5153510010	CONNECTOR		4	4	4	4	4	4	4	4	4
11	8941726600	HOLDER-NOZZLE		4	4	4	4	4	4	4	4	4
12	9153470030	PIN		8	8	8	8	8	8	8	8	8
13	8941518640	NOZZLE-INJECTOR		4	4	4	4	4	4	4	4	4
14	8941711950	NUT-RETAINING		4	4	4	4	4	4	4	4	4
15	9153390510	SEAL-RUBBER-INJECTOR		4	4	4	4	4	4	4	4	4
16	5153150030	SEAL-COPPER-INJECTOR		4	4	4	4	4	4	4	4	4
	9091645080	WASHER-PLAIN-INJECTOR TO CYL. HEAD	5310-66-128-4416	8	8	8	8	8	8	8	8	8
	9091505080	WASHER-LOCK-INJECTOR TO CYL. HEAD	5310-66-128-4420	8	8	8	8	8	8	8	8	8
	11014031	NUT-INJECTOR TO CYL. HEAD	5310-66-128-4421	8	8	8	8	8	8	8	8	8

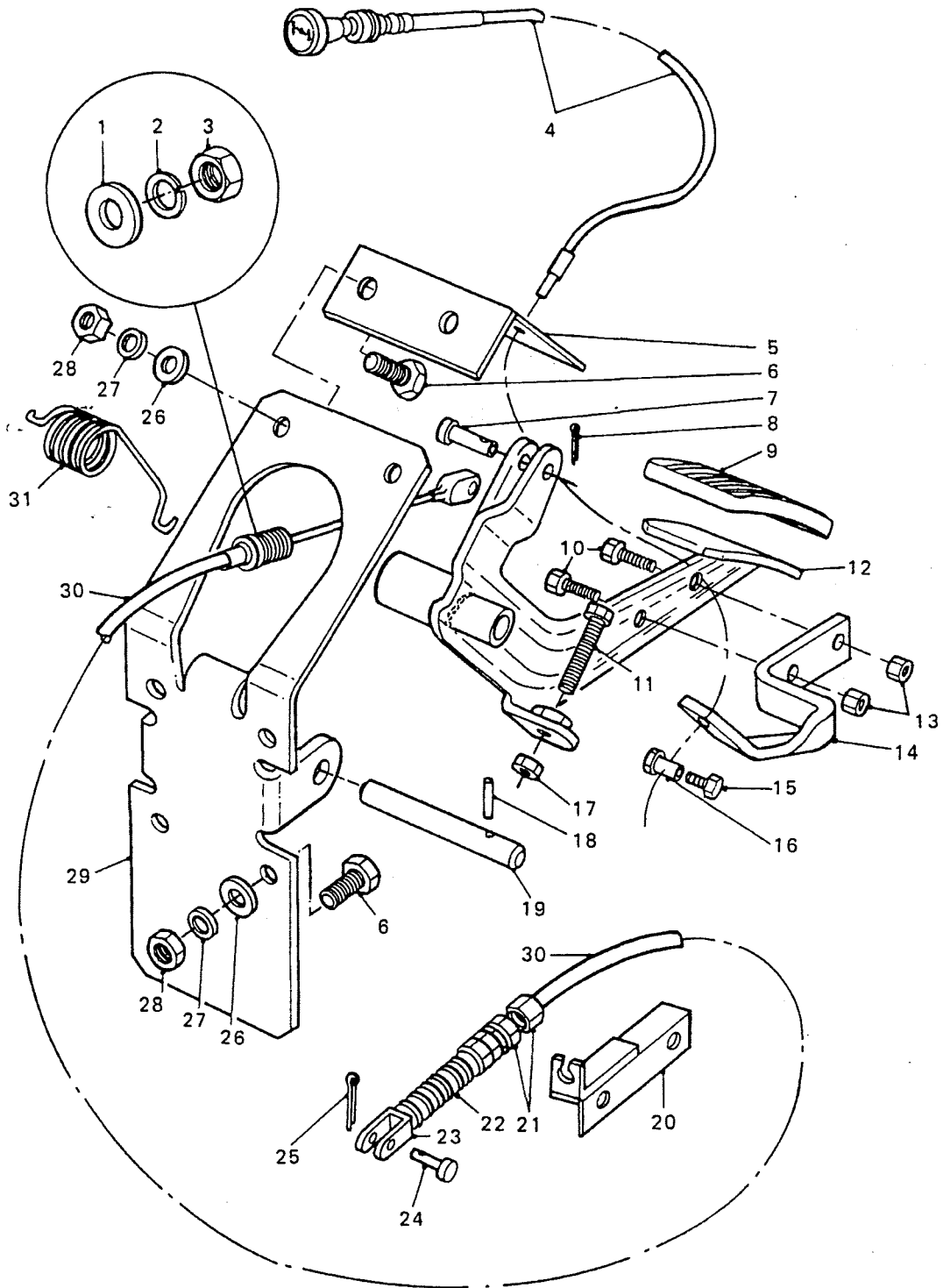
CHANGE POINT

ARN INTRODUCTION

PERENTIE LAND ROVER PARTS LIST

ITEM	DGA/1/1 PART NO.	ACCELERATOR PEDAL AND HAND THROTTLE CABLE DESCRIPTION	NSN	DERIVATIVE CODE							
				2188	2189	2190	2191	2192	2194	2195	2207 CP
1	WA112081L	WASHER-PLAIN	5310-99-122-6477	1	1	1	1	1	1	1	1
2	WF112001L	WASHER-LOCK	5310-66-128-4503	1	1	1	1	1	1	1	1
3	NT112041L	NUT	5310-99-139-8286	1	1	1	1	1	1	1	1
4	NTC3932	CABLE-HAND THROTTLE	2590-66-128-4581	1	1	1	1	1	1	1	1
5	AYG2682	BRACKET		1	1	1	1	1	1	1	1
6	FS106161	SCREW	5305-99-122-5360	6	6	6	6	6	6	6	6
7	NRC5502	CLEVIS PIN	5315-99-722-6367	1	1	1	1	1	1	1	1
8	PS103081L	SPLIT PIN	5315-99-138-2200	1	1	1	1	1	1	1	1
9	11H1781L	PAD-RUBBER-PEDAL	2540-99-830-2777	1	1	1	1	1	1	1	1
10	FS106201	SCREW	5305-99-122-5361	2	2	2	2	2	2	2	2
11	SH106301L	SCREW	5305-99-122-5363	1	1	1	1	1	1	1	1
12	AYG2678	PEDAL-ACCELERATOR		1	1	1	1	1	1	1	1
13	NY106041L	NUT-NYLOC	5310-99-138-8423	2	2	2	2	2	2	2	2
14	AYG2677	BRACKET-PEDAL		1	1	1	1	1	1	1	1
15	53K3503	SCREW	5305-99-804-6822	1	1	1	1	1	1	1	1
16	ACH9042	PIN	5310-66-128-4504	1	1	1	1	1	1	1	1
17	NH605041L	NUT	5310-99-136-1515	1	1	1	1	1	1	1	1
18	PA105161	SPRING PIN		1	1	1	1	1	1	1	1
19	NRC4475	SHAFT		1	1	1	1	1	1	1	1
20	AYG321	ABUTMENT ACCELERATOR		1	1	1	1	1	1	1	1
21	NSS										
22	NSS										
23	NSS										
24	R562481	CLEVIS PIN	5315-99-824-6606	1	1	1	1	1	1	1	1
25	PS103101L	SPLIT PIN	5315-66-128-5248	1	1	1	1	1	1	1	1
26	WA106041L	WASHER-PLAIN	5310-66-098-4440	6	6	6	6	6	6	6	6
27	WL106001L	WASHER-LOCK	5310-99-137-9232	6	6	6	6	6	6	6	6
28	NH106041L	NUT	5310-66-098-4401	6	6	6	6	6	6	6	6
29	NRC5220	BRACKET-MTG		1	1	1	1	1	1	1	1

GROUP DGA



ACCELERATOR PEDAL AND HAND THROTTLE CABLE

PERENTIE LAND ROVER PARTS LIST

DGA/1/1

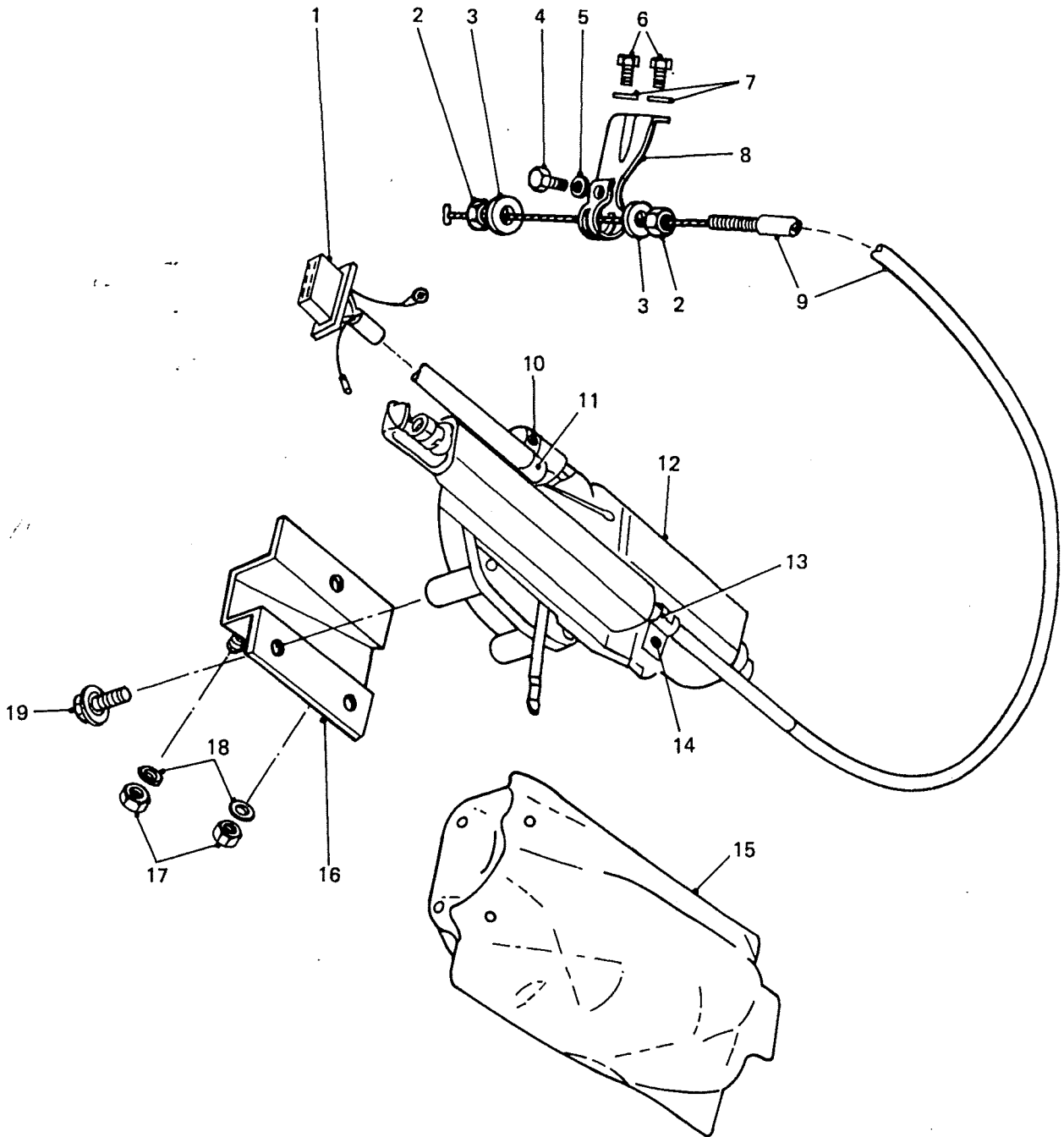
ACCELERATOR PEDAL AND HAND THROTTLE CABLE

<u>ITEM</u>	<u>PART NO.</u>	<u>DESCRIPTION</u>	<u>NSN</u>	<u>DERIVATIVE CODE</u>								
				<u>2188</u>	<u>2189</u>	<u>2190</u>	<u>2191</u>	<u>2192</u>	<u>2194</u>	<u>2195</u>	<u>2207</u>	<u>CP</u>
30	NRC5494	CABLE-ACCELERATOR	2590-66-128-4292	1	1	1	1	1	1	1	1	1
31	NRC9121	SPRING	5360-66-128-5539	1	1	1	1	1	1	1	1	1
	MYH3552	CLIP-'E'- THROTTLE CABLE TO BRACKET		1	1	1	1	1	1	1	1	1
	MYH1763	CABLE TIE-CABLE TO INLET MANIFOLD	5975-12-199-8964	1	1	1	1	1	1	1	1	1
	R532387	O RING-ACCELERATOR CABLE TO TOE BOX		1	1	1	1	1	1	1	1	1

CHANGE POINT

ARN INTRODUCTION

GROUP DGB



ENGINE STOP CONTROL

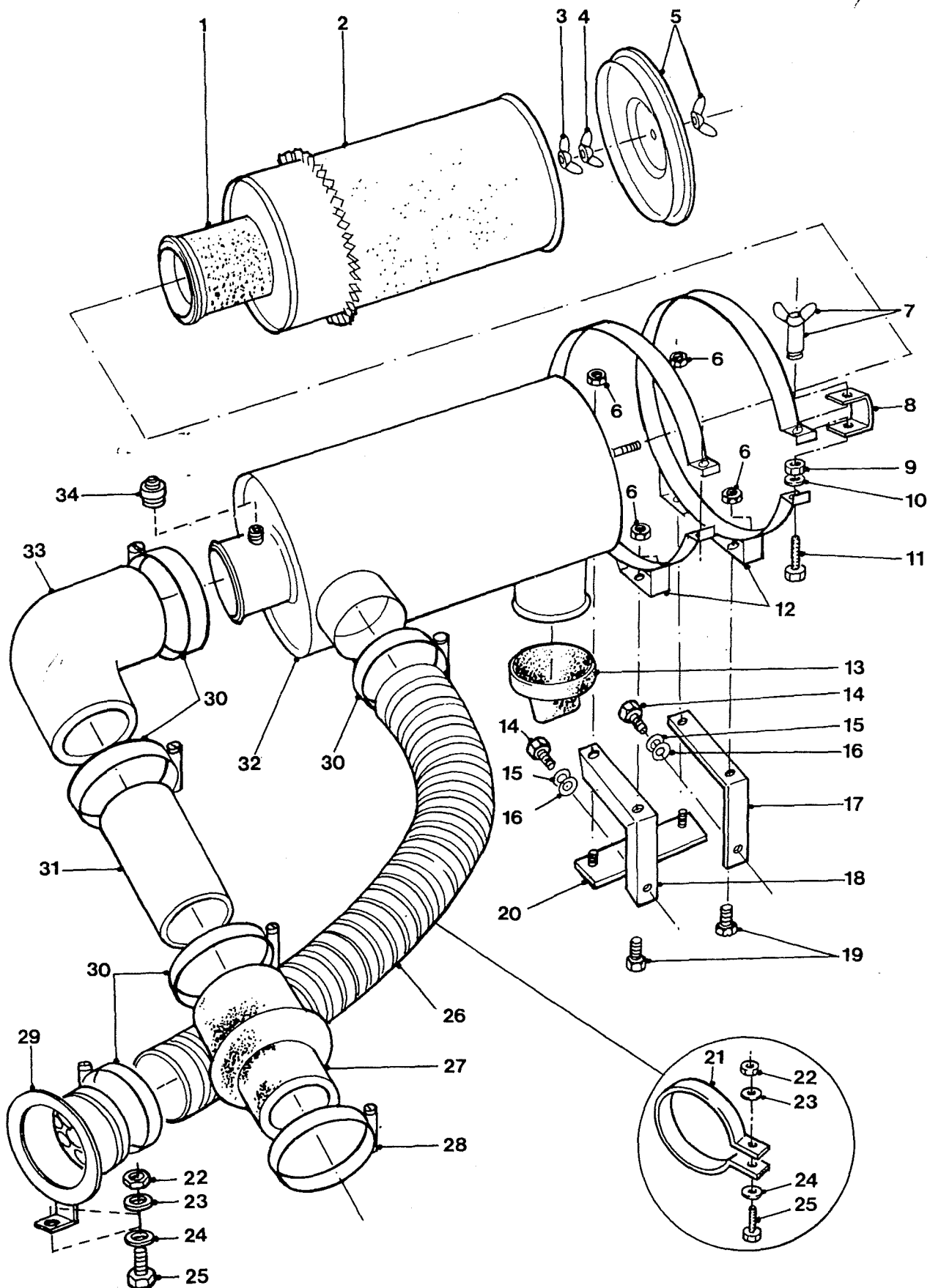
PERENTIE LAND ROVER PARTS LIST

ITEM	DGB/1/1 PART NO.	ENGINE STOP CONTROL DESCRIPTION	NSN	DERIVATIVE CODE							
				2188	2189	2190	2191	2192	2194	2195	2207 CP
1	AYG9640	KIT-6 WAY CONNECTOR		1	1	1	1	1	1	1	1
2	NSS										
3	NSS										
4	FS106161	SCREW	5305-99-122-5360	1	1	1	1	1	1	1	1
5	WL106001L	WASHER-LOCK	5310-99-137-9232	1	1	1	1	1	1	1	1
6	9020506120	BOLT	5306-66-128-4500	2	2	2	2	2	2	2	2
7	9420972	WASHER-LOCK	5310-66-128-4501	2	2	2	2	2	2	2	2
8	5143341410	BRACKET-STOP CABLE	2990-66-128-4848	1	1	1	1	1	1	1	1
9	AYG9621	CABLE-STOP CONTROL	2590-66-128-4293	1	1	1	1	1	1	1	1
10	NSS										
11	NSS										
12	AYG9697	CONTROL ASSY-ENGINE STOP.	2920-66-128-4593	1	1	1	1	1	1	1	1
13	NSS										
14	9039105100	SCREW-CABLE	5305-66-128-4502	1	1	1	1	1	1	1	1
15	5828480220	COVER-VINYL		1	1	1	1	1	1	1	1
16	NSS										
17	NY108041L	NUT-NYLOC	5310-99-122-5496	2	2	2	2	2	2	2	2
18	WA108051L	WASHER-PLAIN	5310-99-122-6475	2	2	2	2	2	2	2	2
19	NSS										
	AYK9235	CABLE-FEED		1	1	1	1	1	1	1	1
	HYG632	CABLE-EARTH		1	1	1	1	1	1	1	1
	5828480830	SPRING-CABLE		1	1	1	1	1	1	1	1
	MYH1763	CABLE TIE-STOP CONTROL CABLE	5975-12-199-8964	1	1	1	1	1	1	1	1

CHANGE POINT

ARN INTRODUCTION

GROUP DK /1

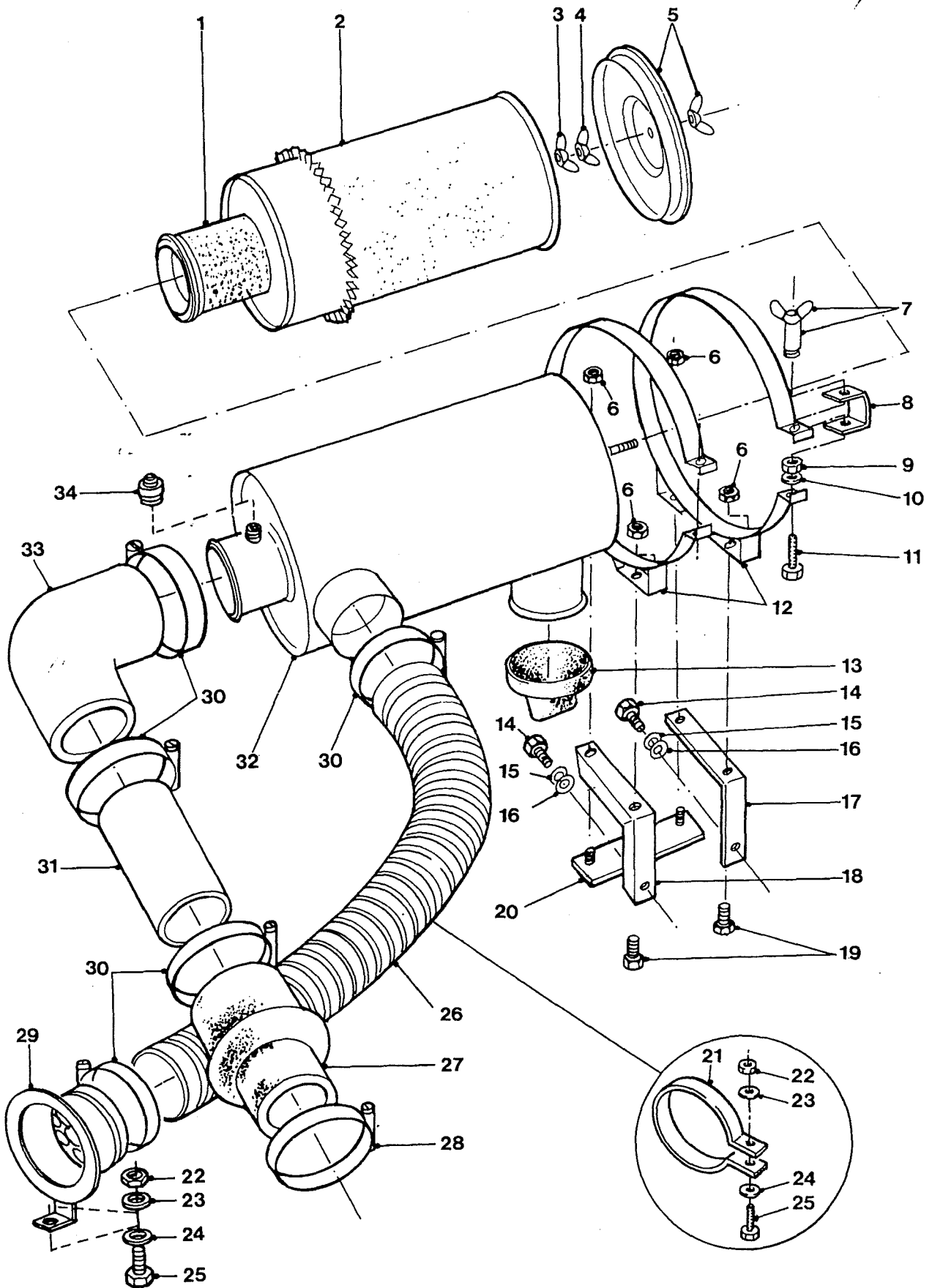


AIR CLEANER, MOUNTINGS AND HOSES

PERENTIE LAND ROVER PARTS LIST

ITEM	DK /1/1 PART NO.	AIR CLEANER, MOUNTINGS AND HOSES - EXCEPT RFSV DESCRIPTION	NSN	DERIVATIVE CODE							CP
				2188	2189	2190	2191	2192	2194	2195	
1	AYG2623	ELEMENT-AIR-SECONDARY	2940-66-128-4284	1	1	1	1	1	1	1	
2	AYG2622	ELEMENT-AIR-PRIMARY	2940-66-128-4285	1	1	1	1	1	1	1	
3	HYL8673	NUT-WING	5310-66-128-4800	1	1	1	1	1	1	1	
4	HYL8674	NUT-WING	5310-00-228-6847	1	1	1	1	1	1	1	
5	HYL8675	COVER-WING NUT		1	1	1	1	1	1	1	
6	NY108041L	NUT-NYLOC	5310-99-122-5496	4	4	4	4	4	4	4	
7	AYG2703	WING NUT	5310-66-128-5630	2	2	2	2	2	2	2	
8	AYG2939	RETAINER-WING NUT	2940-66-128-5377	2	2	2	2	2	2	2	
9	FN108041	NUT	5310-99-499-8033	2	2	2	2	2	2	2	
10	WL108001L	WASHER-LOCK	5310-99-137-9231	2	2	2	2	2	2	2	
11	SH108401L	SCREW	5306-66-097-0722	2	2	2	2	2	2	2	
12	AYG2701	MOUNTING BAND		2	2	2	2	2	2	2	
13	P10/6593	VALVE-VACUATOR	4820-66-01-192-7	1	1	1	1	1	1	1	
14	SH214501	SCREW		2	2	2	2	2	2	2	
15	WL114001L	WASHER-LOCK		2	2	2	2	2	2	2	
16	WA600091L	WASHER-PLAIN	5310-66-012-6841	2	2	2	2	2	2	2	
17	AYG2979	BRACKET-LH		1	1	1	1	1	1	1	
17	BYG2147	BRACKET-LH		1	1	1	1	1	1	1	01
18	AYG2978	BRACKET-RH		1	1	1	1	1	1	1	
18	BYG2144	BRACKET-RH		1	1	1	1	1	1	1	01
19	FS108201	SCREW		2	2	2	2	2	2	2	
20	AYG5640	STRAP		1	1	1	1	1	1	1	
21	MYH3379	TIE STRAP	5340-66-128-5579	1	1	1	1	1	1	1	
22	NH106041L	NUT	5310-66-098-4401	2	2	2	2	2	2	2	
23	WL106001L	WASHER-LOCK	5310-99-137-9232	2	2	2	2	2	2	2	
24	WA106041L	WASHER-PLAIN	5310-66-098-4440	2	2	2	2	2	2	2	
25	FS106161	SCREW	5305-99-122-5360	2	2	2	2	2	2	2	
26	MYH5322	HOSE	4720-66-128-4498	1	1	1	1	1	1	1	

GROUP DK /1



AIR CLEANER, MOUNTINGS AND HOSES

PERENTIE LAND ROVER PARTS LIST

ITEM	PART NO.	DESCRIPTION	NSN	DERIVATIVE CODE							CP
				2188	2189	2190	2191	2192	2194	2195	
27	AYG2626	REDUCER	4720-66-128-4499	1	1	1	1	1	1	1	
28	CJ600444	CLAMP-HOSE	4730-99-533-2968	1	1	1	1	1	1	1	
29	AYG2767	INLET MOUNT ASSY		1	1	1	1	1	1	1	
30	CJ600564	CLAMP-HOSE	4730-99-533-2970	5	5	5	5	5	5	5	
31	AYG2627	TUBE-ELBOW TO REDUCER		1	1	1	1	1	1	1	
32	AYG2765	AIR CLEANER ASSY (INCL ITEMS 1 TO 5 & 13)		1	1	1	1	1	1	1	
33	AYG2625	ELBOW	4720-66-128-4801	1	1	1	1	1	1	1	
34	BYK8080	INDICATOR-SERVICE	2910-00-400-6861	1	1	1	1	1	1	1	
	BH210131	BOLT		2	2	2	2	2	2	2	01
	WL110001L	WASHER-LOCK	5310-99-138-9228	2	2	2	2	2	2	2	01
	WA110061L	WASHER-PLAIN	5310-99-122-6476	2	2	2	2	2	2	2	01

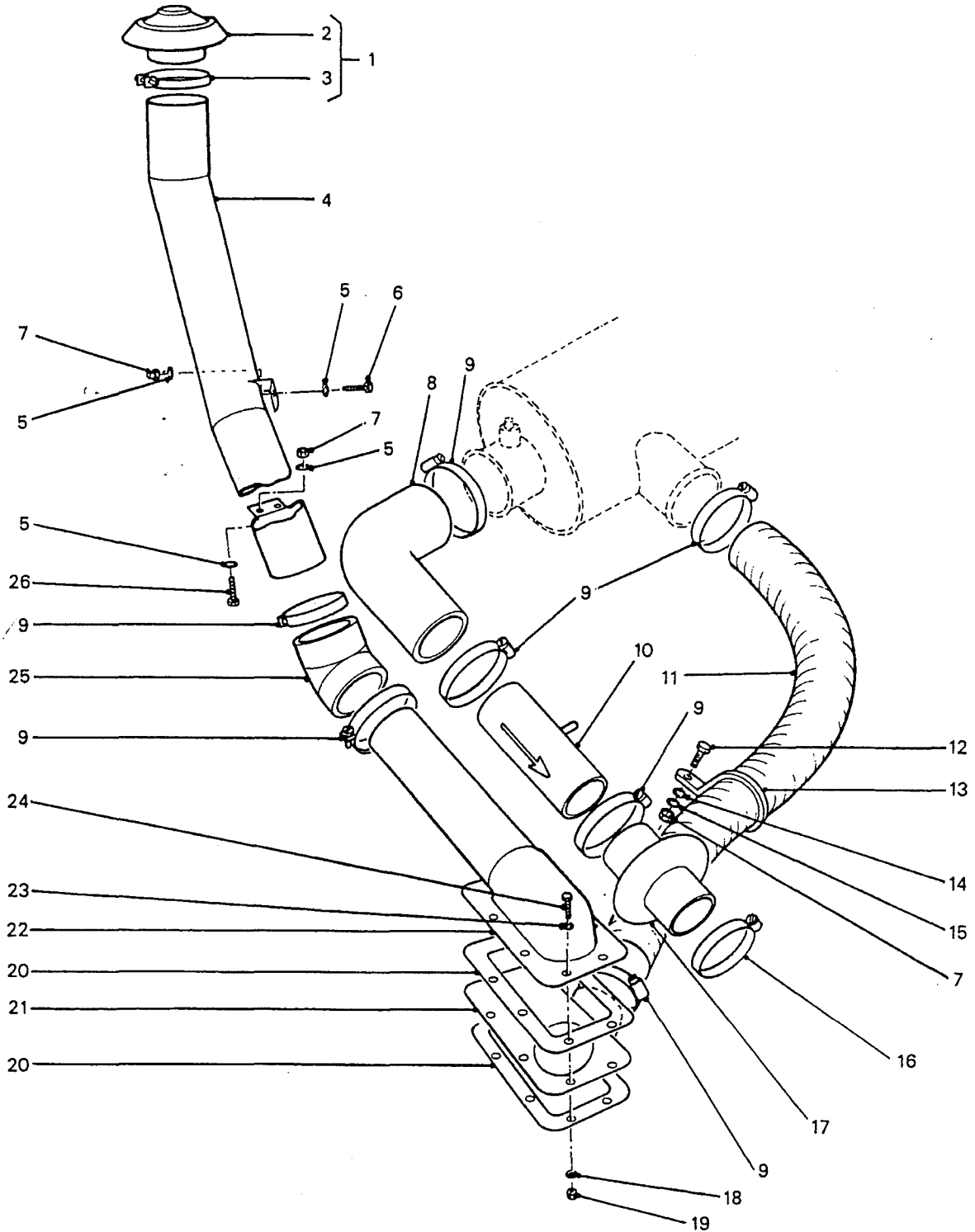
CHANGE POINT

1

ARN INTRODUCTION

NEW TYPE MOUNTING BRACKETS

GROUP DK/2 SHEET 1



**AIR CLEANER HOSES
- RFSV ONLY**

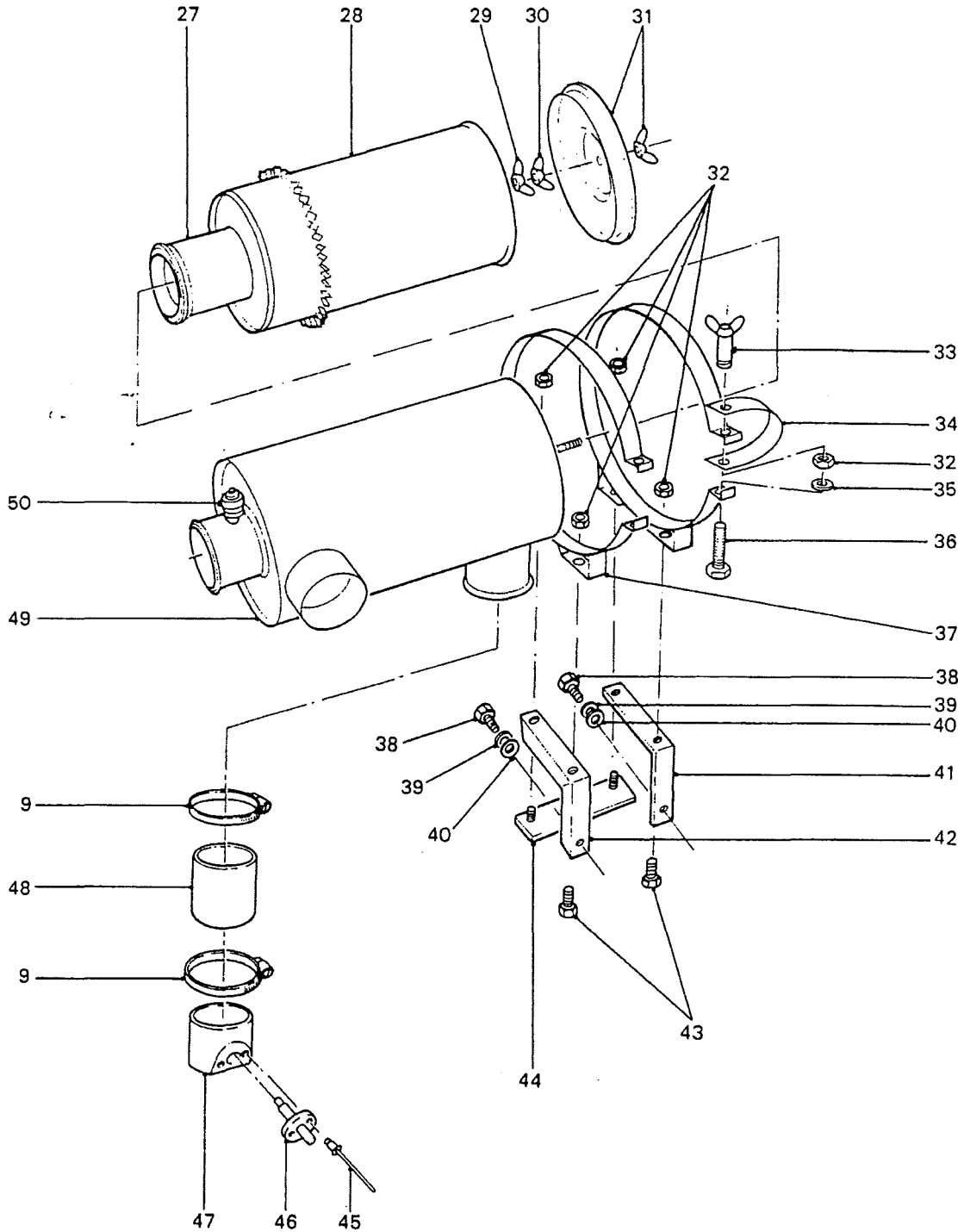
PERENTIE LAND ROVER PARTS LIST

ITEM	DK /2/1 PART NO.	AIR CLEANER HOSES - RFSV ONLY DESCRIPTION	NSN	DERIVATIVE CODE									
				2188	2189	2190	2191	2192	2194	2195	2207	CP	
1	MYH3560	HOOD & CLIP ASSY											1
2	NSS												
3	NSS												
4	BYG2085	TUBE-INTAKE-LONG											1
4	BYG2107	TUBE-INTAKE-SHORT (OPTIONAL FITMENT)											1
5	WC106041L	WASHER											8
6	BH106061L	BOLT	5306-99-122-5245										2
7	NY106041L	NUT-NYLOC	5310-99-138-8423										5
8	AYG2625	ELBOW	4720-66-128-4801										1
9	CJ600564	CLAMP-HOSE	4730-99-533-2970										5
10	BYG2078	TUBE-AIR OUTLET											1
11	MYH3551	HOSE-INLET	4720-66-128-6129										1
	BYG2125	STRAP-INLET HOSE TO MANIFOLD											1
12	FS106161	SCREW	5305-99-122-5360										1
13	MYH3379	TIE STRAP	5340-66-128-5579										1
14	WA106041L	WASHER-PLAIN	5310-66-098-4440										1
15	WL106001L	WASHER-LOCK	5310-99-137-9232										1
16	CJ600444	CLAMP-HOSE	4730-99-533-2968										1
17	AYG2626	REDUCER	4720-66-128-4499										1
18	WL105001L	WASHER-LOCK	5310-99-977-1102										6
19	NH105041L	NUT	5310-66-098-4400										6
20	BYG2043	GASKET-TUBE	5330-66-128-6130										2
21	BYG2110	TUBE-AIR INLET DUCT											1
22	BYG2056	DUCT-INLET											1
23	WC105001L	WASHER-PLAIN											6
24	SE105201L	SCREW	5305-66-128-4766										6
25	MYH3578	ELBOW-DUCT	4730-66-128-6132										1
26	SH106251L	SCREW	5305-99-122-5362										2

CHANGE POINT

ARN INTRODUCTION

GROUP DK/2 SHEET 2

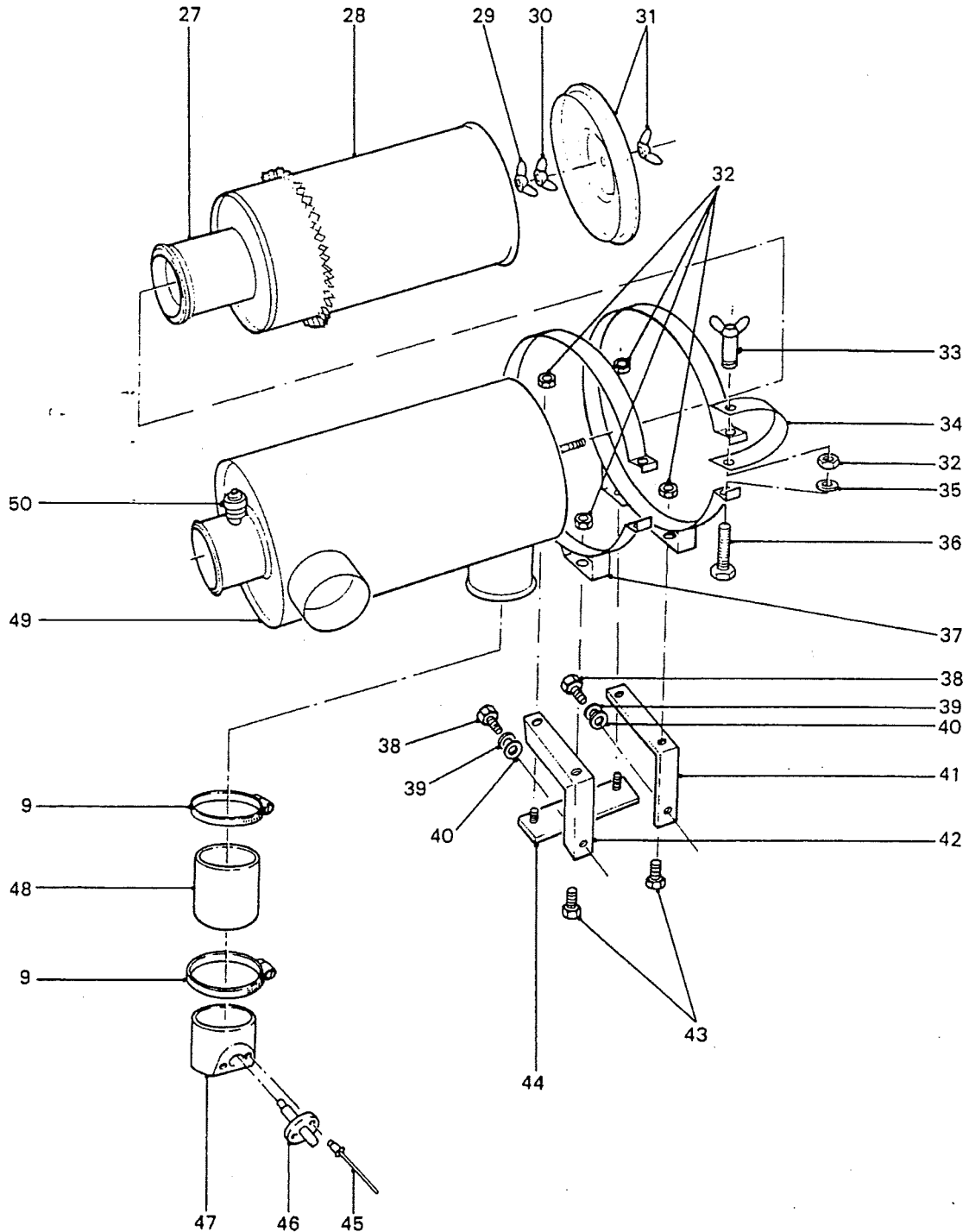


AIR CLEANER HOSES
- RFSV ONLY

PERENTIE LAND ROVER PARTS LIST

ITEM	DK /2/2 PART NO.	AIR CLEANER AND MOUNTINGS - RFSV ONLY DESCRIPTION	NSN	DERIVATIVE CODE							CP	
				2188	2189	2190	2191	2192	2194	2195		2207
9	CJ600564	CLAMP-HOSE	4730-99-533-2970								2	
27	AYG2623	ELEMENT-AIR-SECONDARY	2940-66-128-4284								1	
28	AYG2622	ELEMENT-AIR-PRIMARY	2940-66-128-4285								1	
29	HYL8673	NUT-WING	5310-66-128-480								1	
30	HYL8674	NUT-WING	5310-00-228-6847								1	
31	HYL8675	COVER-WING NUT									1	
32	NY108041L	NUT-NYLOC	5310-99-122-5496								4	
33	AYG2703	WING NUT	5310-66-128-5630								2	
34	AYG2939	RETAINER-WING NUT	2940-66-128-5377								2	
35	WL108001L	WASHER-LOCK	5310-99-137-9231								2	
36	SH108401L	SCREW	5306-66-097-0722								2	
37	AYG2701	BAND-MOUNTING									2	
38	WA600091L	WASHER-PLAIN									2	
38	SH214501	SCREW									2	
39	WL114001L	WASHER-LOCK									2	
40	WA600091L	WASHER-PLAIN									2	
41	AYG2979	BRACKET-LH									1	
	BYG2147	BRACKET-LH									1	01
42	AYG2978	BRACKET-RH									1	
	BYG2144	BRACKET-RH									1	01
43	FS108201	SCREW									2	
	BH210131	BOLT									2	01
	WL110001L	WASHER-LOCK	5310-99-138-9228								2	01
	WA110061L	WASHER-PLAIN	5310-99-122-6476								2	01
44	AYG5640	STRAP									1	

GROUP DK/2 SHEET 2



**AIR CLEANER HOSES
- RFSV ONLY**

PERENTIE LAND ROVER PARTS LIST

DK /2/2

AIR CLEANER AND MOUNTINGS - RFSV ONLY

<u>ITEM</u>	<u>PART NO.</u>	<u>DESCRIPTION</u>	<u>NSN</u>	<u>DERIVATIVE CODE</u>							<u>CP</u>
				<u>2188</u>	<u>2189</u>	<u>2190</u>	<u>2191</u>	<u>2192</u>	<u>2194</u>	<u>2195</u>	
45	RJ612313	RIVET									2
46	MYH3514	PLUG ASSY									1
47	BYG2039	VACUATOR									1
48	BYG2060	HOSE-AIR CLEANER	4720-66-128-6131								1
49	BYG2040	AIR CLEANER ASSY									1
50	BYK8080	INDICATOR-SERVICE	2910-00-400-6861								1

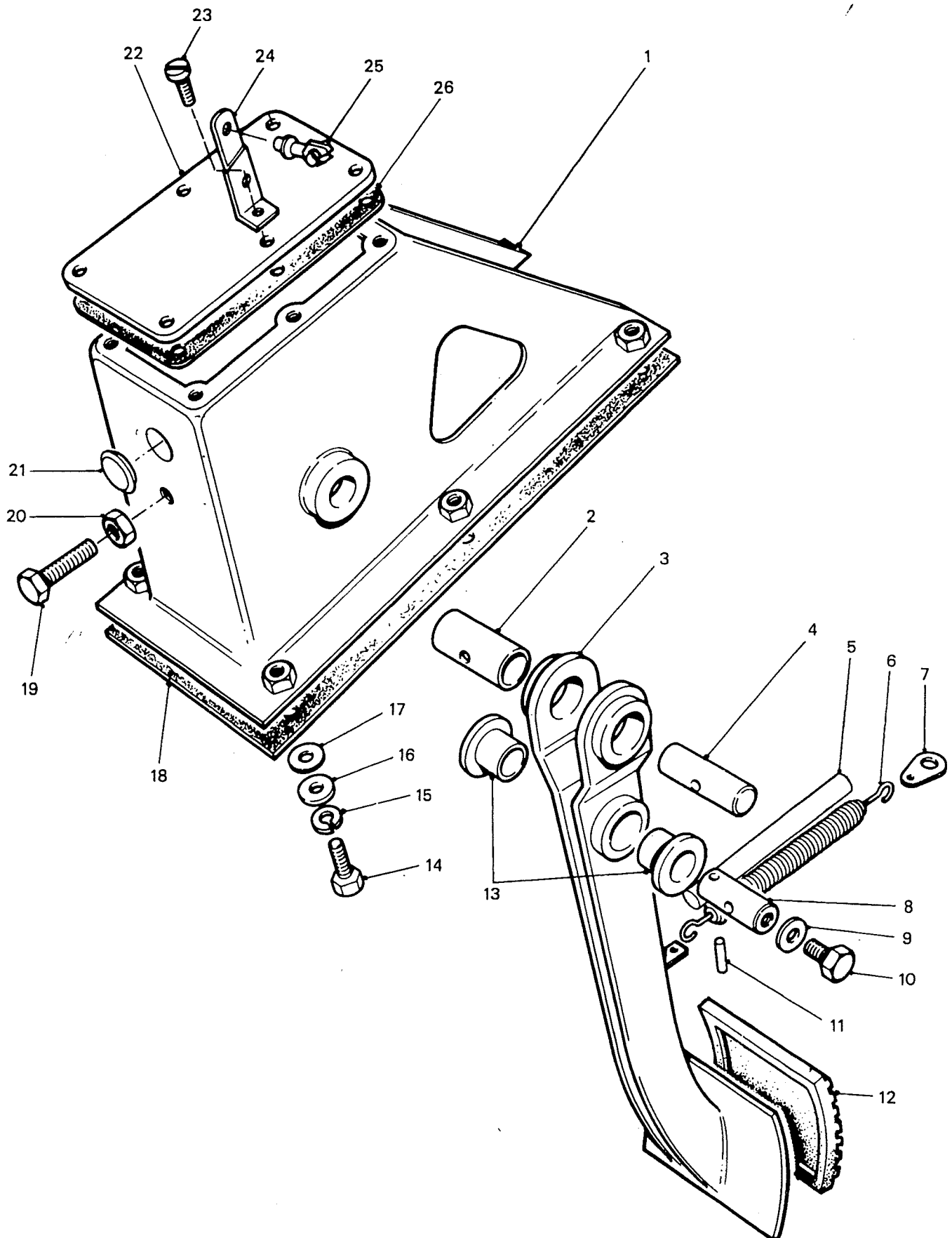
CHANGE POINT

1

ARN INTRODUCTION

FROM INTRODUCTION OF REVISED MOUNTING BRACKETS

GROUP EA



CLUTCH PEDAL AND BRACKET

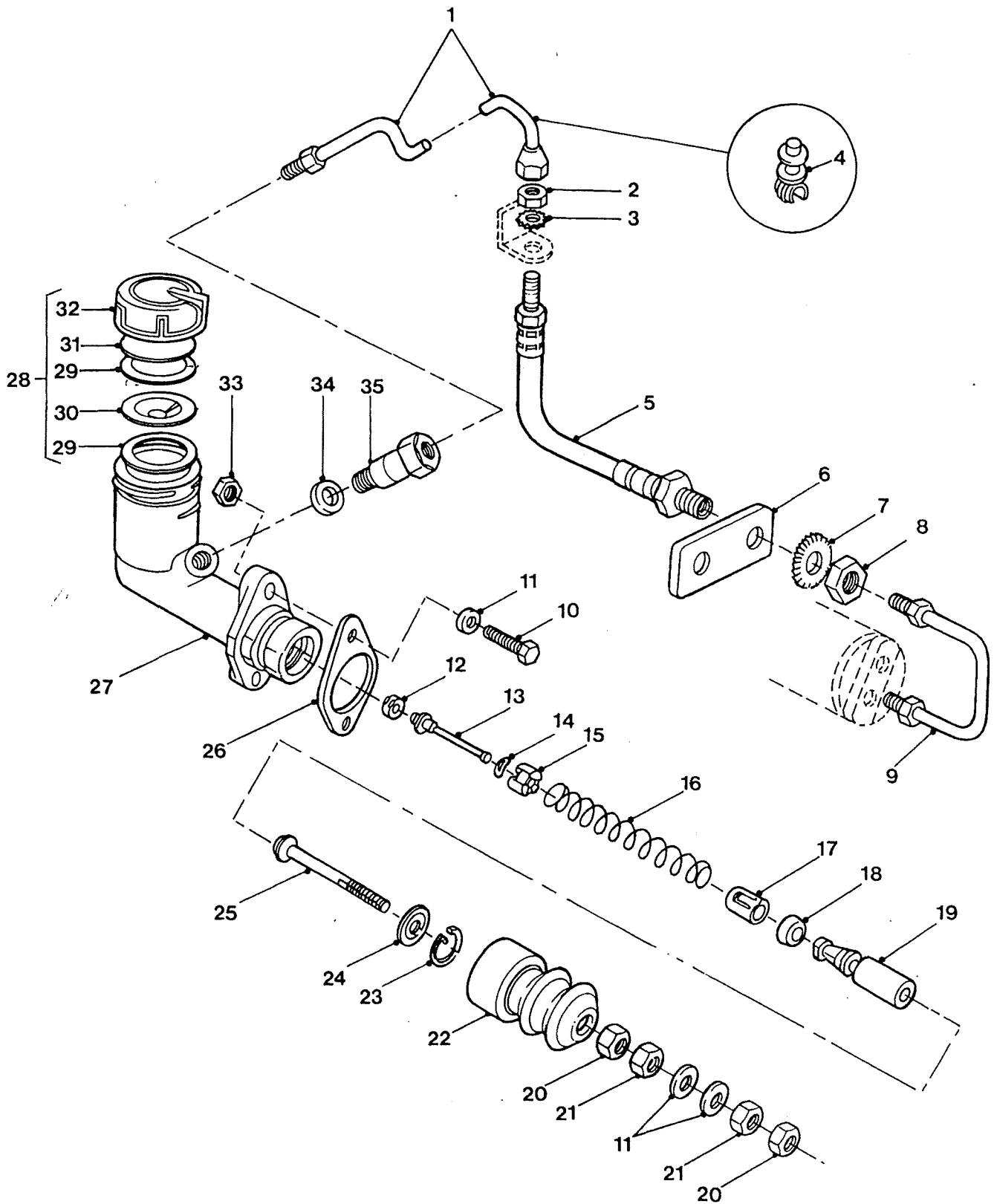
PERENTIE LAND ROVER PARTS LIST

ITEM	EA /1/1 PART NO.	CLUTCH PEDAL AND BRACKET DESCRIPTION	NSN	DERIVATIVE CODE								
				2188	2189	2190	2191	2192	2194	2195	2207	CP
1	AYG3553	PEDAL BOX-CLUTCH		1	1	1	1	1	1	1	1	1
2	R269783	DISTANCE PIECE	5365-99-849-9642	1	1	1	1	1	1	1	1	1
3	NTC1112	PEDAL-CLUTCH		1	1	1	1	1	1	1	1	1
4	R568883	TRUNNION	5315-99-808-4986	1	1	1	1	1	1	1	1	1
5	NRC7869	SLEEVE-RETURN SPRING	4720-99-741-2061	1	1	1	1	1	1	1	1	1
6	R569701	SPRING	5360-99-810-2137	1	1	1	1	1	1	1	1	1
7	R240708	ANCHOR	5340-99-895-1855	1	1	1	1	1	1	1	1	1
8	R272712	SHAFT BRAKE PEDAL		1	1	1	1	1	1	1	1	1
9	WF507L	WASHER-PLAIN		1	1	1	1	1	1	1	1	1
10	SH604031L	SCREW		1	1	1	1	1	1	1	1	1
11	R50446	PIN	5315-99-849-9637	1	1	1	1	1	1	1	1	1
12	61K738	PAD-RUBBER-PEDAL	2520-99-874-1494	1	1	1	1	1	1	1	1	1
13	R272714	BUSH-PEDAL	3120-99-849-9647	2	2	2	2	2	2	2	2	2
14	SH605081L	SCREW	5305-99-941-0700	4	4	4	4	4	4	4	4	4
	GG605101	SCREW-PEDAL BOX TO TOE BOX		2	2	2	2	2	2	2	2	2
15	WM600051L	WASHER-LOCK	5310-66-016-5980	6	6	6	6	6	6	6	6	6
16	R4594L	WASHER-PLAIN	5310-66-128-4543	1	1	1	1	1	1	1	1	1
17	RTC610	WASHER-PLAIN	5310-66-012-6819	5	5	5	5	5	5	5	5	5
18	MUC7505	GASKET-PEDAL BRACKET		1	1	1	1	1	1	1	1	1
19	SH604081L	SCREW	5306-66-128-5245	1	1	1	1	1	1	1	1	1
20	NH604041L	NUT	5310-66-019-3956	1	1	1	1	1	1	1	1	1
21	R338023	PLUG		1	1	1	1	1	1	1	1	1
22	R272713	COVER PLATE	2530-99-849-9646	1	1	1	1	1	1	1	1	1
23	R78227	DRIVE SCREW	5305-99-895-2067	6	6	6	6	6	6	6	6	6
24	PRC2980	BRACKET-SPEEDO CABLE		1	1	1	1	1	1	1	1	1
25	PRC3180	CLIP	5340-66-128-4611	1	1	1	1	1	1	1	1	1
26	R272819	GASKET	5330-99-849-9651	1	1	1	1	1	1	1	1	1

CHANGE POINT

ARN INTRODUCTION

GROUP EB

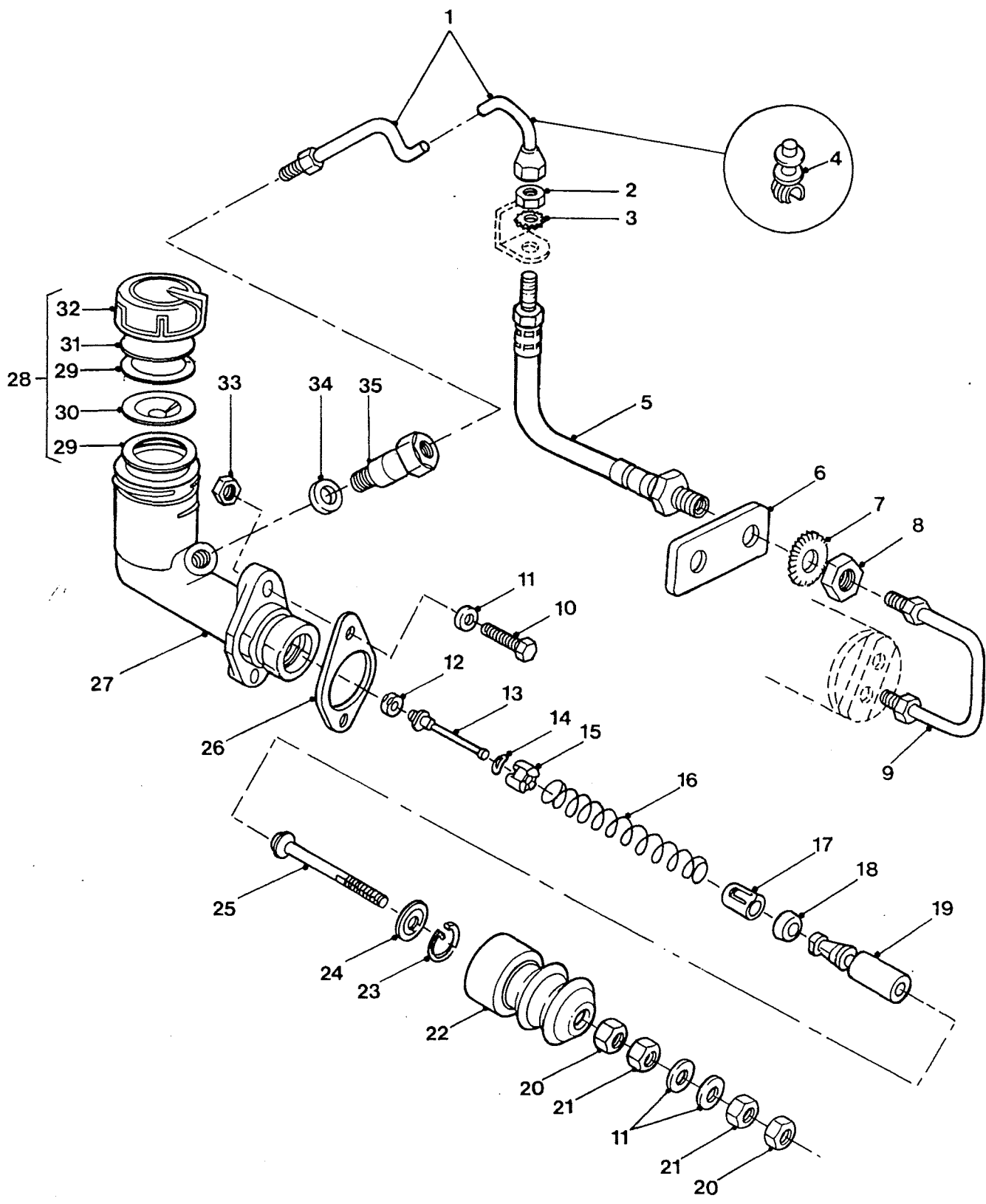


CLUTCH MASTER CYLINDER AND PIPES

PERENTIE LAND ROVER PARTS LIST

ITEM	PART NO.	DESCRIPTION	NSN	DERIVATIVE CODE									
				2188	2189	2190	2191	2192	2194	2195	2207	CP	
1	NRC8330	PIPE-CLUTCH		1	1	1	1	1	1	1	1	1	
2	NT608041L	NUT	5310-99-948-2562	1	1	1	1	1	1	1	1	1	1
3	WF600071L	WASHER-LOCK		1	1	1	1	1	1	1	1	1	1
4	R79123	CLIP	2910-99-825-6359	2	2	2	2	2	2	2	2	2	2
5	NRC2211	HOSE-JUMP	4720-99-825-5627	1	1	1	1	1	1	1	1	1	1
6	AYG2663	BRACKET-HOSE		1	1	1	1	1	1	1	1	1	1
7	WE600101L	WASHER-LOCK		1	1	1	1	1	1	1	1	1	1
8	2K8686L	NUT		1	1	1	1	1	1	1	1	1	1
9	AYG3436	PIPE-CLUTCH		1	1	1	1	1	1	1	1	1	1
10	FB108061	BOLT	5306-99-122-5253	2	2	2	2	2	2	2	2	2	2
11	WA108051L	WASHER-PLAIN	5310-99-122-6475	2	2	2	2	2	2	2	2	2	2
12	NSS	USE HYL8654											
13	NSS	USE AYG450											
14	NSS	USE HYL8654											
15	NSS	USE AYG450											
16	NSS	USE AYG450											
17	NSS	USE AYG450											
18	NSS	USE HYL8654											
19	NSS	USE HYL8654											
20	MYH3512	NUT-LOCK		2	2	2	2	2	2	2	2	2	2
21	NH605041L	NUT	5310-99-136-1515	2	2	2	2	2	2	2	2	2	2
22	NSS	USE HYL8654											
23	NSS	RETAINING RING		1	1	1	1	1	1	1	1	1	1
24	NSS	USE AYG450											
25	NSS	USE AYG450											1
26	R592358	GASKET	5330-99-822-1909	1	1	1	1	1	1	1	1	1	1
27	NSS	USE AYG450											
28	HYL8813	CAP-CLUTCH MASTER CYLINDER	2520-66-128-4601	1	1	1	1	1	1	1	1	1	1
29	HYL8660	SEAL-CAP		2	2	2	2	2	2	2	2	2	2

GROUP EB



CLUTCH MASTER CYLINDER AND PIPES

PERENTIE LAND ROVER PARTS LIST

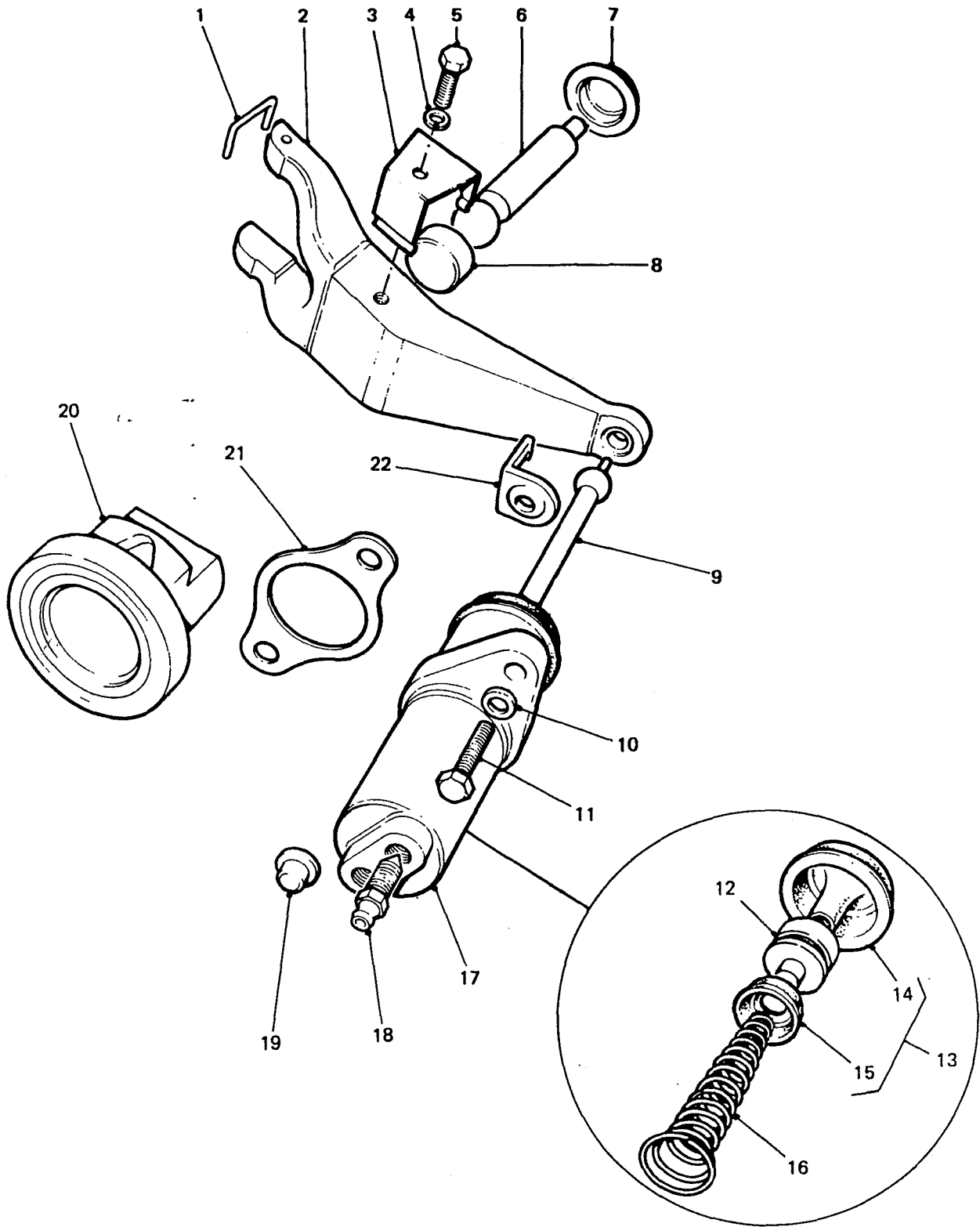
<u>ITEM</u>	<u>PART NO.</u>	<u>DESCRIPTION</u>	<u>NSN</u>	<u>DERIVATIVE CODE</u>								<u>CP</u>
				<u>2188</u>	<u>2189</u>	<u>2190</u>	<u>2191</u>	<u>2192</u>	<u>2194</u>	<u>2195</u>	<u>2207</u>	
30	NSS											
31	NSS											
32	NSS											
33	NY108041L	NUT-NYLOC	5310-99-122-5496	2	2	2	2	2	2	2	2	2
34	R233220	WASHER	5310-99-881-2459	1	1	1	1	1	1	1	1	1
	AYG450	MASTER CYLINDER-CLUTCH	2520-66-128-4295	1	1	1	1	1	1	1	1	1
	HYL8654	KIT-REPAIR CLUTCH M/CYL. INCL (ITEMS 12,14,18,19,22,23,29)	2520-66-128-4296	1	1	1	1	1	1	1	1	1
35	R139082	ADAPTOR-SLAVE CYLINDER PIPE		1	1	1	1	1	1	1	1	1



CHANGE POINT

ARN INTRODUCTION

GROUP EC



CLUTCH SLAVE CYLINDER AND RELEASE MECHANISM

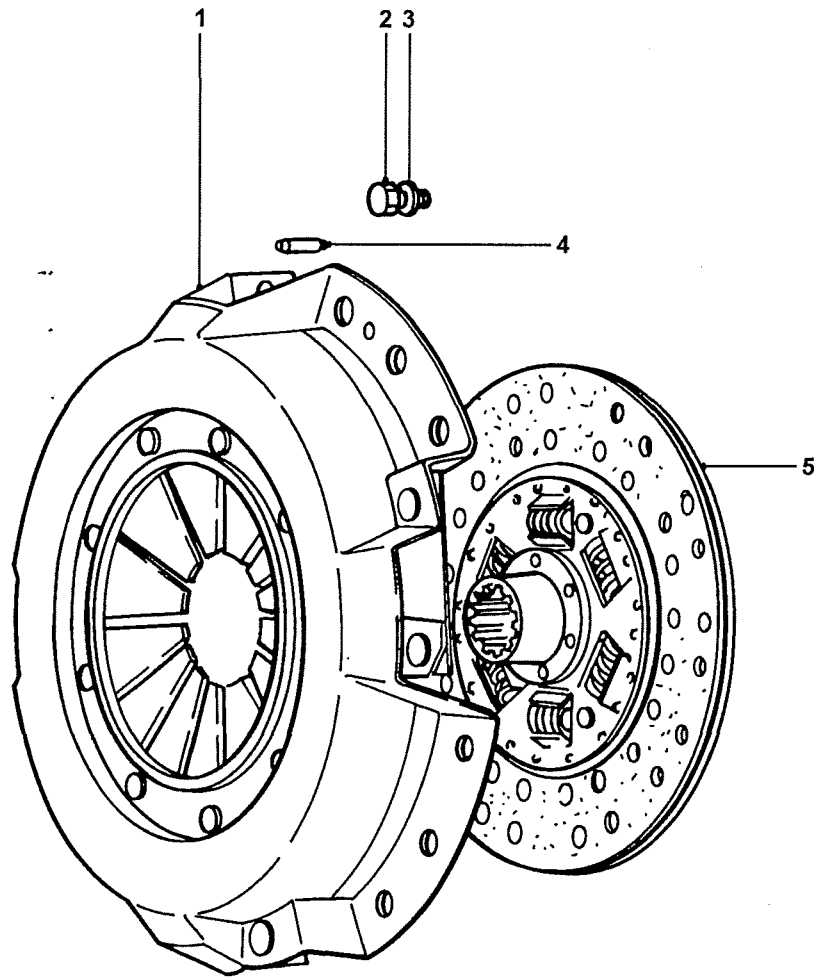
PERENTIE LAND ROVER PARTS LIST

ITEM	EC /1/1 PART NO.	DESCRIPTION	NSN	DERIVATIVE CODE								
				2188	2189	2190	2191	2192	2194	2195	2207	CP
1	R576203	CLIP	2520-99-818-9098	1	1	1	1	1	1	1	1	1
2	R576137	LEVER-CLUTCH	2520-99-818-9093	1	1	1	1	1	1	1	1	1
3	R571163	CLIP	5340-99-818-9096	1	1	1	1	1	1	1	1	1
4	WM600041L	WASHER-LOCK		1	1	1	1	1	1	1	1	1
5	SH106101L	SCREW		1	1	1	1	1	1	1	1	1
6	R594176	PIN-PIVOT	2520-99-823-8752	1	1	1	1	1	1	1	1	1
7	R571164	CAP-PIVOT PIN	2520-99-818-9092	1	1	1	1	1	1	1	1	1
8	R571161	INSERT	2520-99-818-9095	1	1	1	1	1	1	1	1	1
9	AYG3630	PUSH ROD		1	1	1	1	1	1	1	1	1
10	WM108001L	WASHER-LOCK	5310-99-135-9302	2	2	2	2	2	2	2	2	2
11	FS108251	SCREW	5305-99-122-5367	2	2	2	2	2	2	2	2	2
12	NSS											
13	BHM7063	KIT-SLAVE CYLINDER	2520-99-796-5414	1	1	1	1	1	1	1	1	1
14	NSS											
15	NSS											
16	R606731	SPRING		1	1	1	1	1	1	1	1	1
17	UKC8677L	SLAVE CYLINDER	2520-99-798-0219	1	1	1	1	1	1	1	1	1
18	R606733	SCREW-BLEED	2530-99-829-8990	1	1	1	1	1	1	1	1	1
19	R594091	CAP-DUST	2530-99-802-3999	1	1	1	1	1	1	1	1	1
20	AYG3339	BEARING-RELEASE	3130-66-128-4617	1	1	1	1	1	1	1	1	1
21	FRC2402	PLATE-BACKING		1	1	1	1	1	1	1	1	1
22	R576723	CLIP	5340-99-819-3922	1	1	1	1	1	1	1	1	1

CHANGE POINT

ARN INTRODUCTION

GROUP EE



CLUTCH COVER AND DRIVEN PLATE

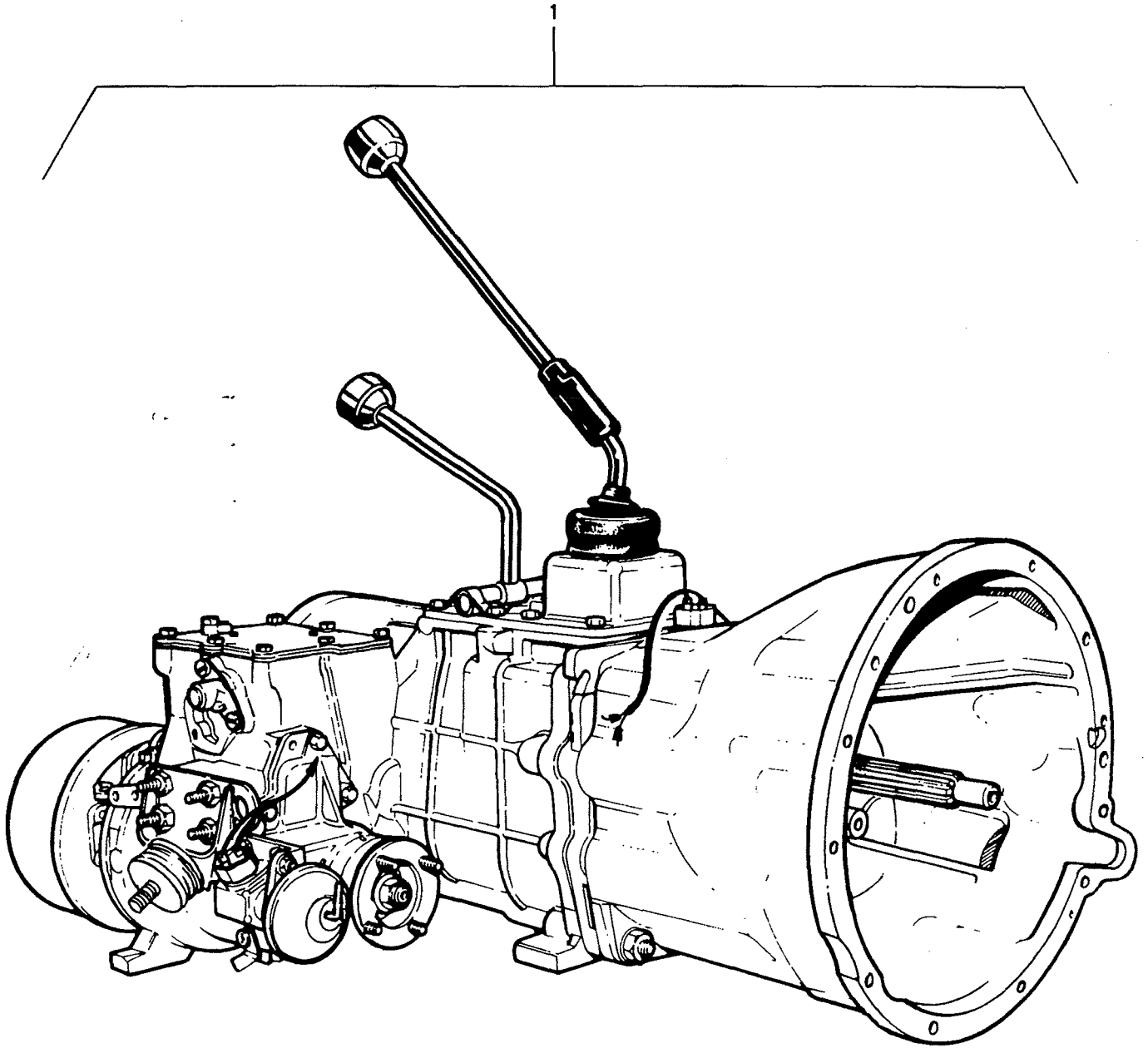
PERENTIE LAND ROVER PARTS LIST

<u>ITEM</u>	<u>PART NO.</u>	<u>DESCRIPTION</u>	<u>NSN</u>	<u>DERIVATIVE CODE</u>								<u>CP</u>
				<u>2188</u>	<u>2189</u>	<u>2190</u>	<u>2191</u>	<u>2192</u>	<u>2194</u>	<u>2195</u>	<u>2207</u>	
1	5312200240	PLATE PRESSURE-CLUTCH	2520-66-128-4618	1	1	1	1	1	1	1	1	1
2	0208008180	BOLT-CLUTCH	5306-66-128-4430	12	12	12	12	12	12	12	12	12
3	9091505080	WASHER-LOCK	5310-66-128-4420	12	12	12	12	12	12	12	12	12
4	9098785320	PIN-LOCATING		2	2	2	2	2	2	2	2	2
5	AYG3616	PLATE-CLUTCH	2520-66-128-5487	1	1	1	1	1	1	1	1	1

CHANGE POINT

ARN INTRODUCTION

GROUP F

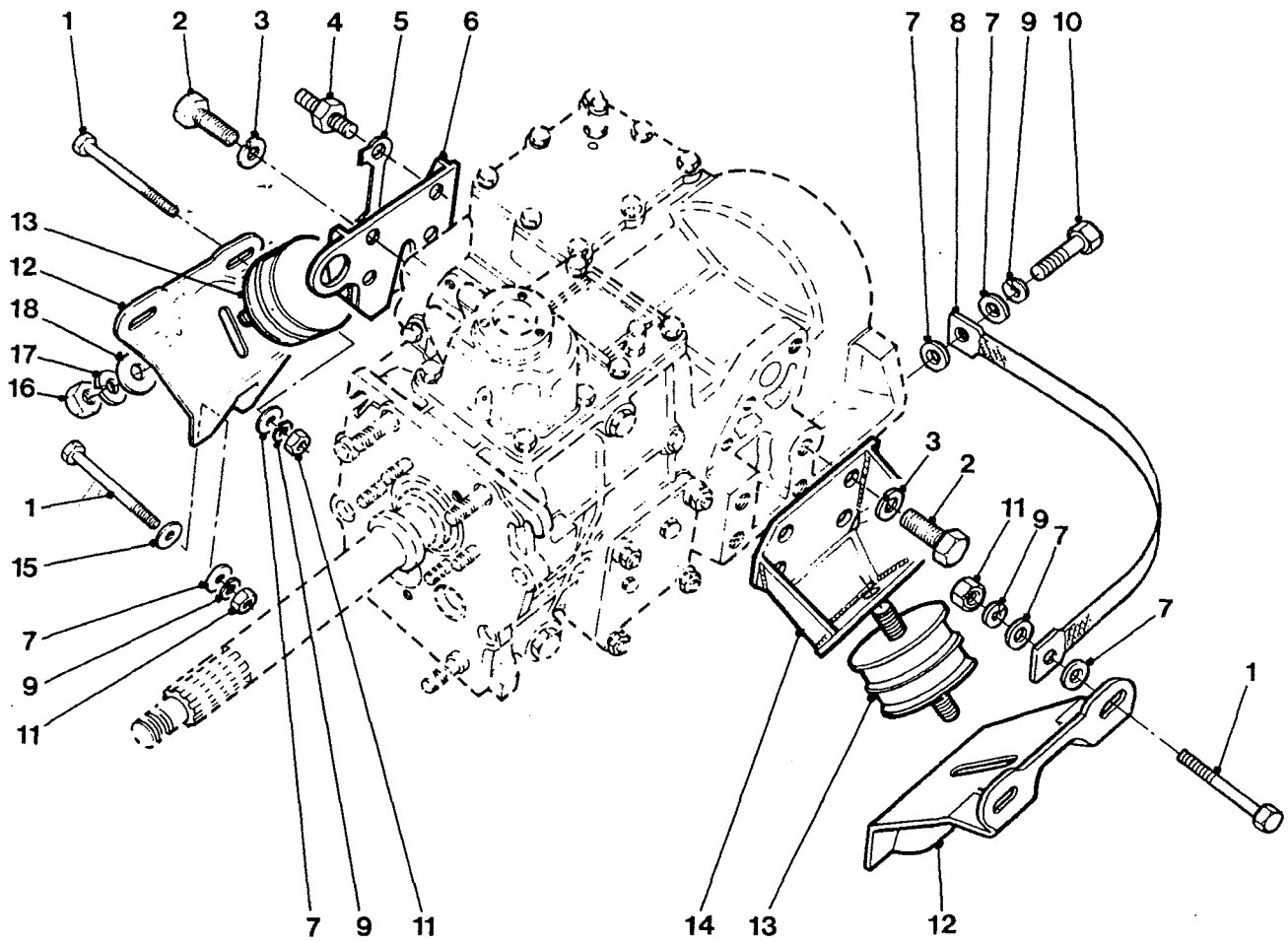


TRANSMISSION ASSEMBLY

PERENTIE LAND ROVER PARTS LIST


<u>ITEM</u>	<u>F /1/1</u> <u>PART NO.</u>	<u>TRANSMISSION ASSEMBLY</u> <u>DESCRIPTION</u>	<u>NSN</u>	<u>DERIVATIVE CODE</u>							<u>CP</u>
				<u>2188</u>	<u>2189</u>	<u>2190</u>	<u>2191</u>	<u>2192</u>	<u>2194</u>	<u>2195</u>	
1	AYG3501	GEARBOX-ASSY -EXCEPT RFSV	2520-66-128-4234	1	1	1	1	1	1	1	
1	AYG3621	GEARBOX ASSY -RFSV ONLY	2520-66-128-6133								1
	R606754	GASKET SET-GEARBOX	2520-99-733-7307	1	1	1	1	1	1	1	1
<u>CHANGE POINT</u>		<u>ARN INTRODUCTION</u>									

GROUP FA



TRANSMISSION MOUNTINGS AND EARTH STRAP

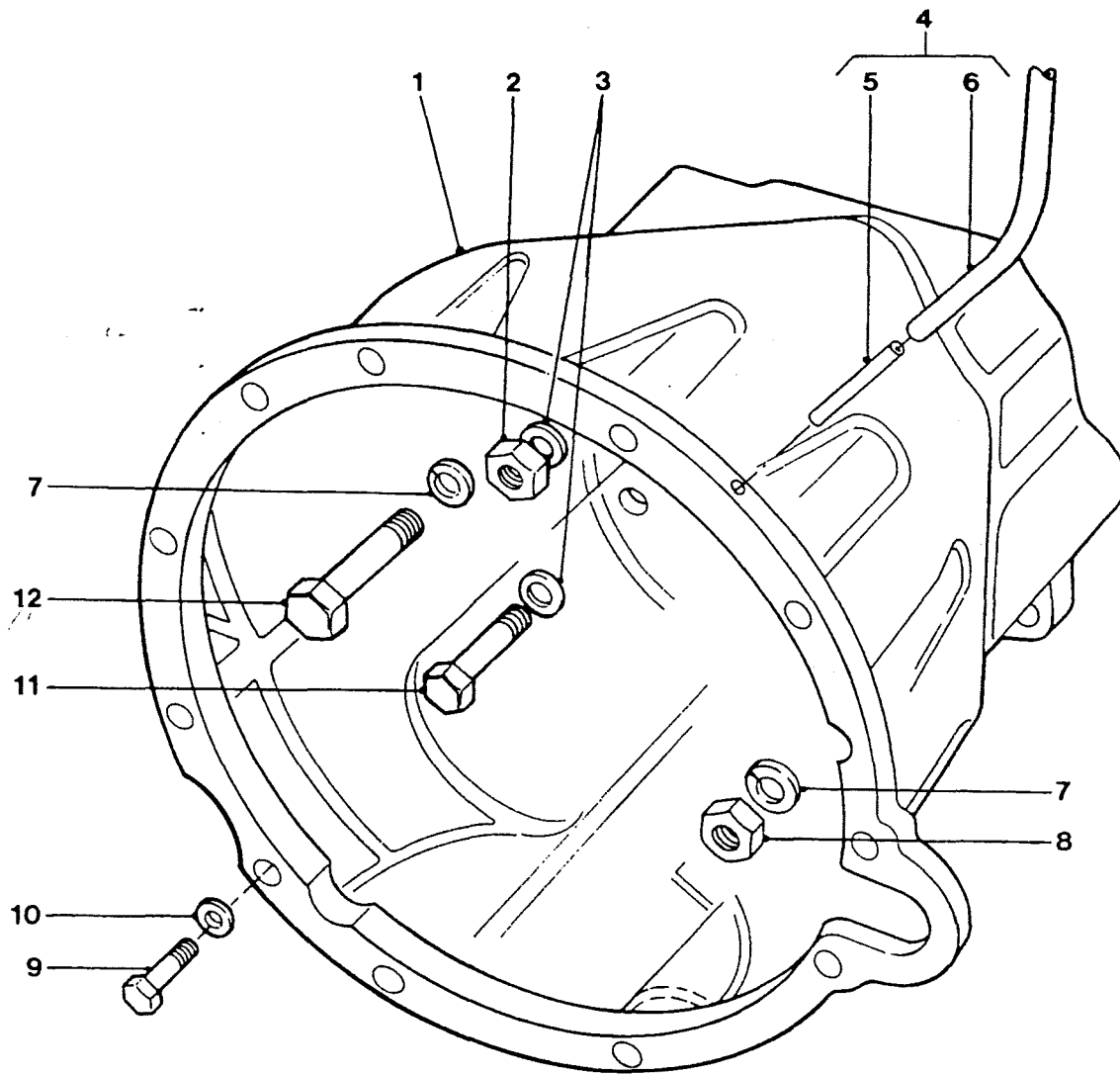
PERENTIE LAND ROVER PARTS LIST

ITEM	FA /1/1 PART NO.	TRANSMISSION MOUNTINGS AND EARTH STRAP DESCRIPTION	NSN	DERIVATIVE CODE							
				2188	2189	2190	2191	2192	2194	2195	2207 CP
1	BH108201L	BOLT	5306-99-122-5263	6	6	6	6	6	6	6	6
2	SH112251L	SCREW	5305-99-122-4912	6	6	6	6	6	6	6	6
3	WL112001L	WASHER-LOCK	5310-66-128-5111	6	6	6	6	6	6	6	6
4	R575653 	STUD		2	2	2	2	2	2	2	2
5	R577245	WASHER-TAB		1	1	1	1	1	1	1	1
6	R595119	BRACKET-MOUNTING-RH		1	1	1	1	1	1	1	1
7	WA108051L	WASHER-PLAIN	5310-99-122-6475	6	6	6	6	6	6	6	6
8	BYG9253	CABLE-EARTH	5999-66-128-6244	1	1	1	1	1	1	1	1
9	WL108001L	WASHER-LOCK	5310-99-137-9231	6	6	6	6	6	6	6	6
10	FS108201	SCREW		1	1	1	1	1	1	1	1
11	NT108041L	NUT	5310-66-098-4402	6	6	6	6	6	6	6	6
12	90575585	BRACKET-MOUNT		2	2	2	2	2	2	2	2
13	STC434	MOUNT-ENGINE	5340-99-823-7210	2	2	2	2	2	2	2	2
14	R575651	BRACKET-MOUNTING-LH ENGINE-REAR		1	1	1	1	1	1	1	1
15	WP185	WASHER-PLAIN	5310-99-136-5496	6	6	6	6	6	6	6	6
16	NY110041L	NUT-NYLOC	5310-99-122-5497	4	4	4	4	4	4	4	4
17	WM600061L	WASHER-LOCK	5310-99-797-7195	4	4	4	4	4	4	4	4
18	WA110061L	WASHER-PLAIN	5310-99-122-6476	2	2	2	2	2	2	2	2

CHANGE POINT

ARN INTRODUCTION

GROUP FB



TRANSMISSION BELL HOUSING

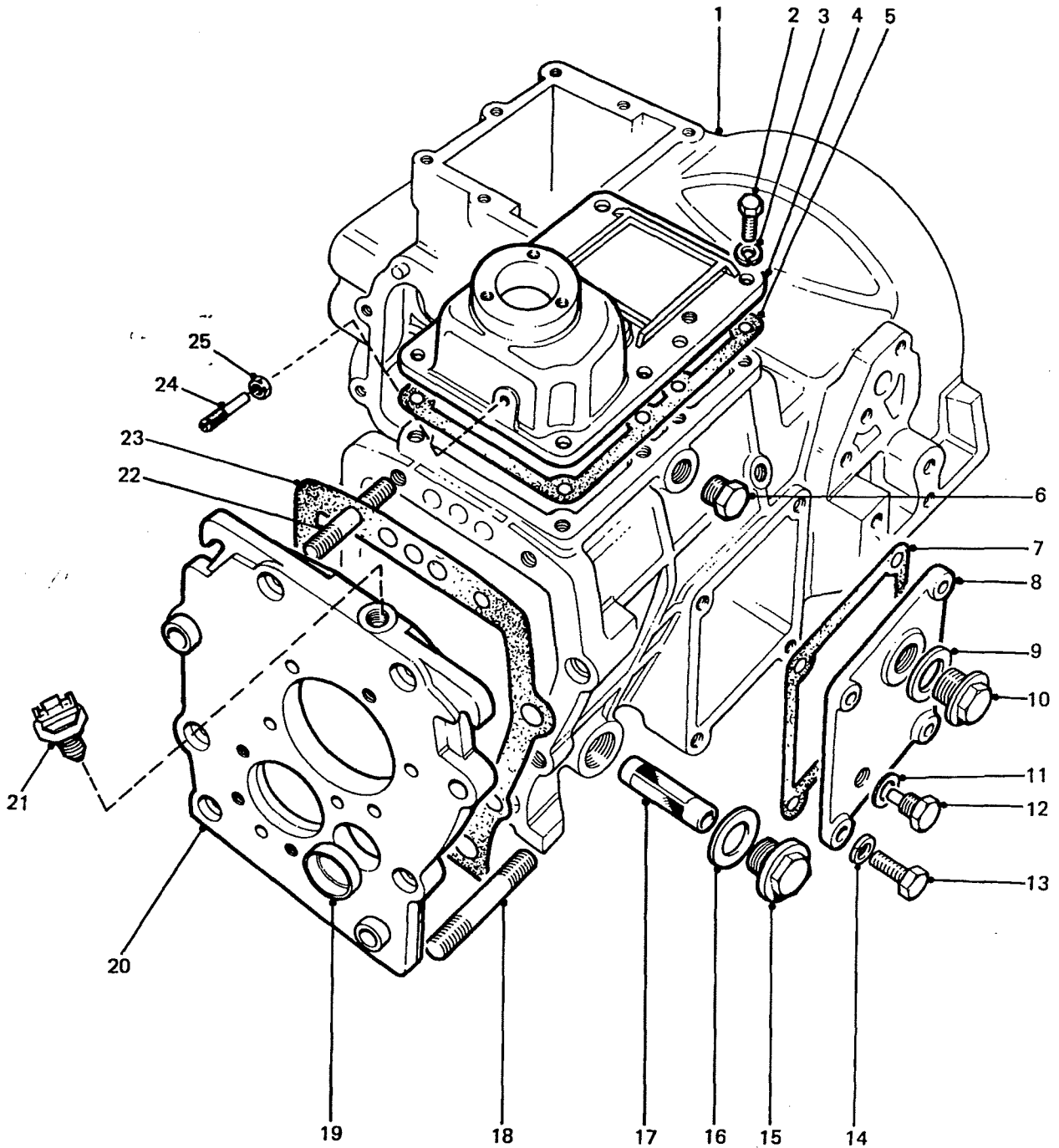
PERENTIE LAND ROVER PARTS LIST

ITEM	FB /1/1 PART NO.	TRANSMISSION BELL HOUSING DESCRIPTION	NSN	DERIVATIVE CODE								
				2188	2189	2190	2191	2192	2194	2195	2207	CP
1	AYG3297	BELL HOUSING		1	1	1	1	1	1	1	1	1
2	NH112041L	NUT		2	2	2	2	2	2	2	2	2
3	WM112001	WASHER-LOCK		4	4	4	4	4	4	4	4	4
4	AYG3521	BREATHER HOSE (INCL ITEMS 5 & 6)		1	1	1	1	1	1	1	1	1
5	NSS											
6	NSS											
7	WM116001	WASHER-LOCK		4	4	4	4	4	4	4	4	4
8	NH116041	NUT		2	2	2	2	2	2	2	2	2
9	SH110401	SCREW	5305-99-122-8670	11	11	11	11	11	11	11	11	11
10	WL110001L	WASHER-LOCK	5310-99-138-9228	11	11	11	11	11	11	11	11	11
11	BH112141L	BOLT	5306-99-122-2792	2	2	2	2	2	2	2	2	2
12	BH116161L	BOLT		2	2	2	2	2	2	2	2	2

CHANGE POINT







ARN INTRODUCTION

GROUP FBA



MAIN AND TRANSFER CASING – FRONT

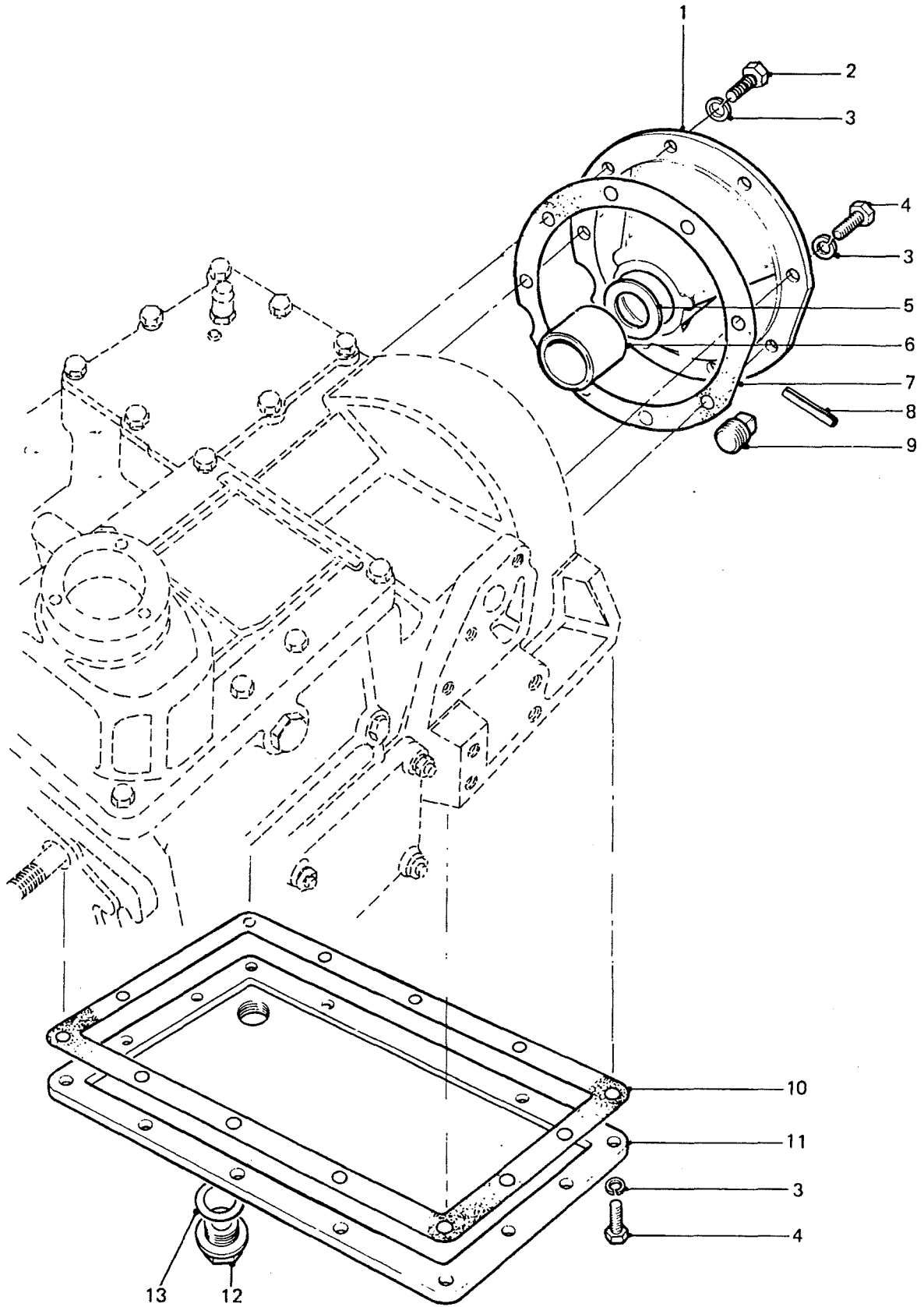
PERENTIE LAND ROVER PARTS LIST

ITEM	FBA/1/1 PART NO.	MAIN AND TRANSFER CASING-FRONT DESCRIPTION	NSN	DERIVATIVE CODE								
				2188	2189	2190	2191	2192	2194	2195	2207 CP	
1	FRC1778	CASING-GEARBOX		1	1	1	1	1	1	1	1	1
2	FS108251	SCREW	5305-99-122-5367	8	8	8	8	8	8	8	8	8
3	WM108001L	WASHER-LOCK	5310-99-135-9302	8	8	8	8	8	8	8	8	8
4	FRC5629	TOP COVER	2520-99-774-9246	1	1	1	1	1	1	1	1	1
5	R576195	 GASKET	5330-99-822-1517	1	1	1	1	1	1	1	1	1
6	R571944	PLUG	5365-99-823-7202	1	1	1	1	1	1	1	1	1
7	R571841	 GASKET	5330-99-822-1518	1	1	1	1	1	1	1	1	1
8	R594320	PLATE SIDE		1	1	1	1	1	1	1	1	1
9	FRC4835	 WASHER	5330-99-849-8732	1	1	1	1	1	1	1	1	1
10	R533358	PLUG-SCREWED	4730-99-874-0243	1	1	1	1	1	1	1	1	1
11	FRC4808	 WASHER-JOINT	5330-99-137-3054	1	1	1	1	1	1	1	1	1
12	R599552	DRAIN PLUG	5365-99-823-7203	1	1	1	1	1	1	1	1	1
13	SH110351L	SCREW		4	4	4	4	4	4	4	4	4
14	WM110001L	WASHER-LOCK		4	4	4	4	4	4	4	4	4
15	90571104	PLUG-DRAIN	5365-99-823-7205	1	1	1	1	1	1	1	1	1
16	FRC4810	 WASHER-JOINT	5330-99-137-3055	1	1	1	1	1	1	1	1	1
17	R576220	OIL FILTER-STRAINER	2520-99-823-7204	1	1	1	1	1	1	1	1	1
18	TE116155	STUD		2	2	2	2	2	2	2	2	2
19	R591290	PLUG		1	1	1	1	1	1	1	1	1
20	NSS											
21	RTC4512	SWITCH	5930-99-768-3325	1	1	1	1	1	1	1	1	1
22	TE112115	STUD		2	2	2	2	2	2	2	2	2
23	R571837	 GASKET		1	1	1	1	1	1	1	1	1
24	FRC5801	GRUB SCREW	5305-99-777-4041	1	1	1	1	1	1	1	1	1
25	NT108041L	NUT	5310-66-098-4402	1	1	1	1	1	1	1	1	1

CHANGE POINT



ARN INTRODUCTION

GROUP FBB



MAIN AND TRANSFER CASING – REAR

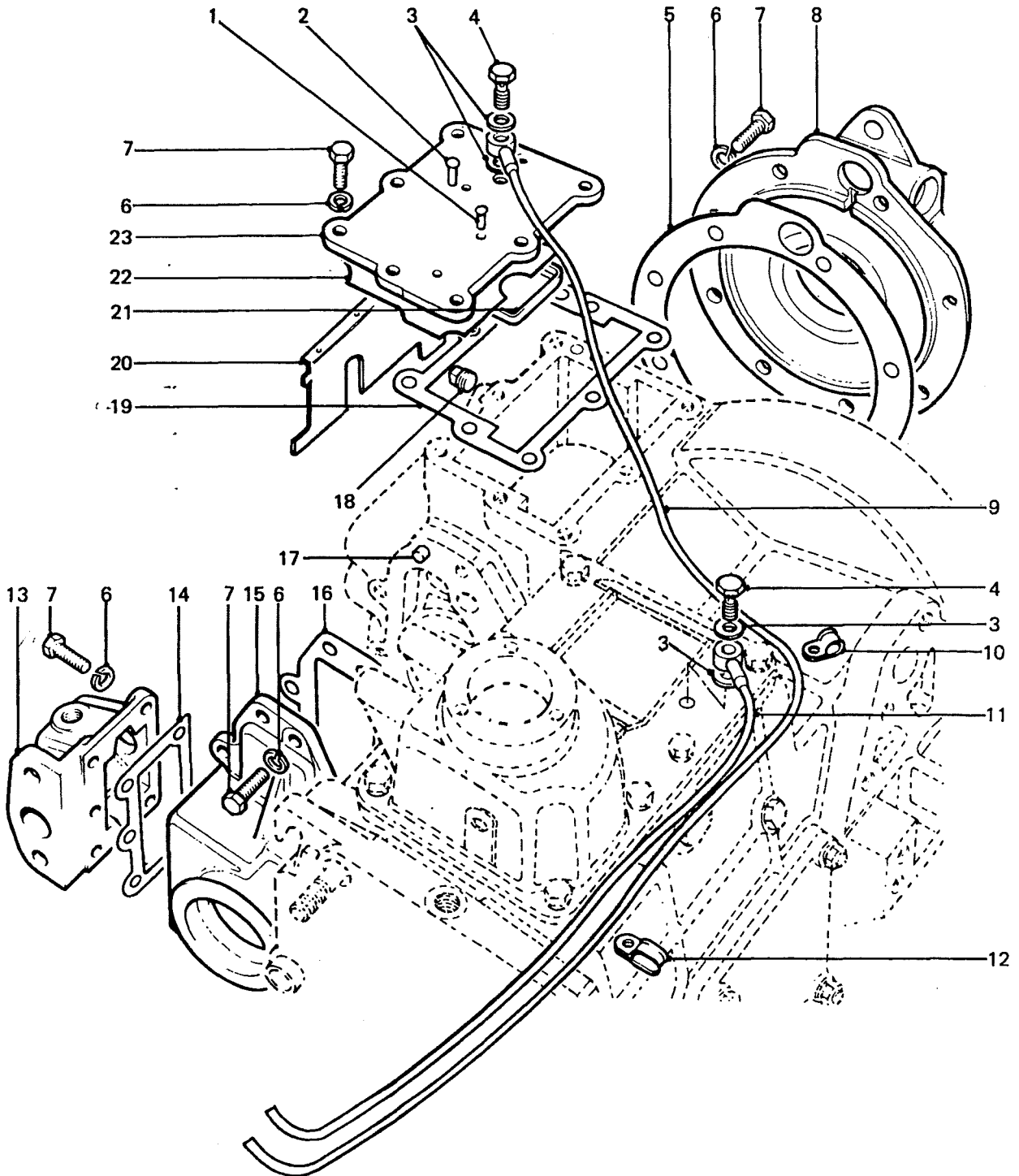
PERENTIE LAND ROVER PARTS LIST

ITEM	PART NO.	DESCRIPTION	NSN	DERIVATIVE CODE								
				2188	2189	2190	2191	2192	2194	2195	2207	CP
1	FRC3515	BEARING HOUSING ASSY		1	1	1	1	1	1	1	1	1
2	FS108301	SCREW		2	2	2	2	2	2	2	2	2
3	WM108001L	WASHER-LOCK	5310-99-135-9302	22	22	22	22	22	22	22	22	22
4	FS108251	SCREW	5305-99-122-5367	20	20	20	20	20	20	20	20	20
5	R571723	WASHER-THRUST	5310-99-137-4410	1	1	1	1	1	1	1	1	1
6	FRC3517	BEARING	3110-99-823-7209	1	1	1	1	1	1	1	1	1
7	R571846	GASKET	5330-99-822-1723	1	1	1	1	1	1	1	1	1
8	PA108361	SPRING PIN	5315-66-128-4510	1	1	1	1	1	1	1	1	1
9	R3292	OIL PLUG	4730-99-923-5244	1	1	1	1	1	1	1	1	1
10	FRC7104	 GASKET	5330-99-822-1724	1	1	1	1	1	1	1	1	1
11	R571977	BOTTOM COVER		1	1	1	1	1	1	1	1	1
12	90571104	PLUG-DRAIN	5365-99-823-7205	1	1	1	1	1	1	1	1	1
13	FRC4810	 JOINT	5330-99-137-3055	1	1	1	1	1	1	1	1	1

CHANGE POINT





ARN INTRODUCTION

GROUP FBC



**MAIN AND TRANSFER CASING –
TRANSFER PORTION**

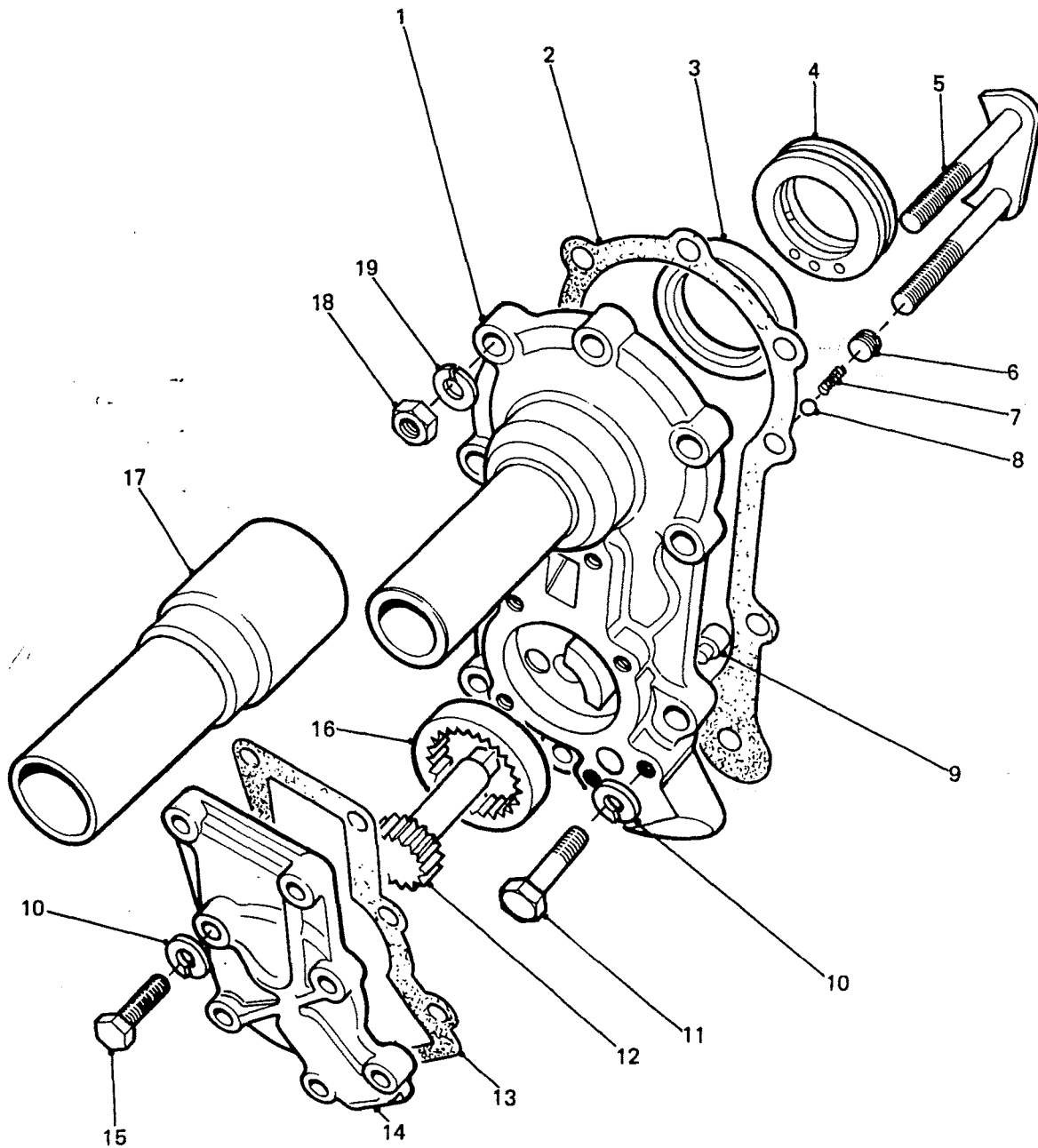
PERENTIE LAND ROVER PARTS LIST

ITEM	FBC/1/1 PART NO.	MAIN AND TRANSFER CASING-TRANSFER PORTION DESCRIPTION	NSN	DERIVATIVE CODE								
				2188	2189	2190	2191	2192	2194	2195	2207	CP
1	R78248	POP RIVET	5320-99-970-3518	3	3	3	3	3	3	3	3	3
2	RTC616	POP RIVET-COVER		1	1	1	1	1	1	1	1	1
3	R599575	WASHER	4930-99-842-3988	4	4	4	4	4	4	4	4	4
4	R595478	BANJO BOLT	4730-99-137-6379	2	2	2	2	2	2	2	2	2
5	R571940 	GASKET	5330-99-822-1722	1	1	1	1	1	1	1	1	1
6	WM108001L	WASHER-LOCK	5310-99-135-9302	27	27	27	27	27	27	27	27	27
7	FS108251	SCREW	5305-99-122-5367	27	27	27	27	27	27	27	27	27
8	FRC9573	HOUSING-SPEEDO DRIVE		1	1	1	1	1	1	1	1	1
9	FRC167	BREATHER PIPE		1	1	1	1	1	1	1	1	1
10	BAU1689	CLIP	5340-99-881-9938	2	2	2	2	2	2	2	2	2
11	FRC168	BREATHER PIPE		1	1	1	1	1	1	1	1	1
12	R622324	CLIP	5340-66-106-1527	1	1	1	1	1	1	1	1	1
13	R571959	HOUSING-VACUUM ACTUATOR		1	1	1	1	1	1	1	1	1
14	R571947 	GASKET-HOUSING	5330-99-822-1720	1	1	1	1	1	1	1	1	1
15	R576147	HOUSING-LOCK-UP DOG CLUTCH		1	1	1	1	1	1	1	1	1
16	R571876 	GASKET	5330-99-822-1519	1	1	1	1	1	1	1	1	1
17	R571134	DOWEL-COVER		1	1	1	1	1	1	1	1	1
18	R3290	PLUG	4730-99-194-5268	1	1	1	1	1	1	1	1	1
19	R571979 	GASKET	5330-99-822-1721	1	1	1	1	1	1	1	1	1
20	FRC3355	BAFFLE		1	1	1	1	1	1	1	1	1
21	R576843	BAFFLE		1	1	1	1	1	1	1	1	1
22	R591603	PAD-SOUND DEADENING		1	1	1	1	1	1	1	1	1
23	FRC3508	COVER TOP		1	1	1	1	1	1	1	1	1

CHANGE POINT





ARN INTRODUCTION

GROUP FC



**TRANSMISSION FRONT COVER AND
OIL PUMP**

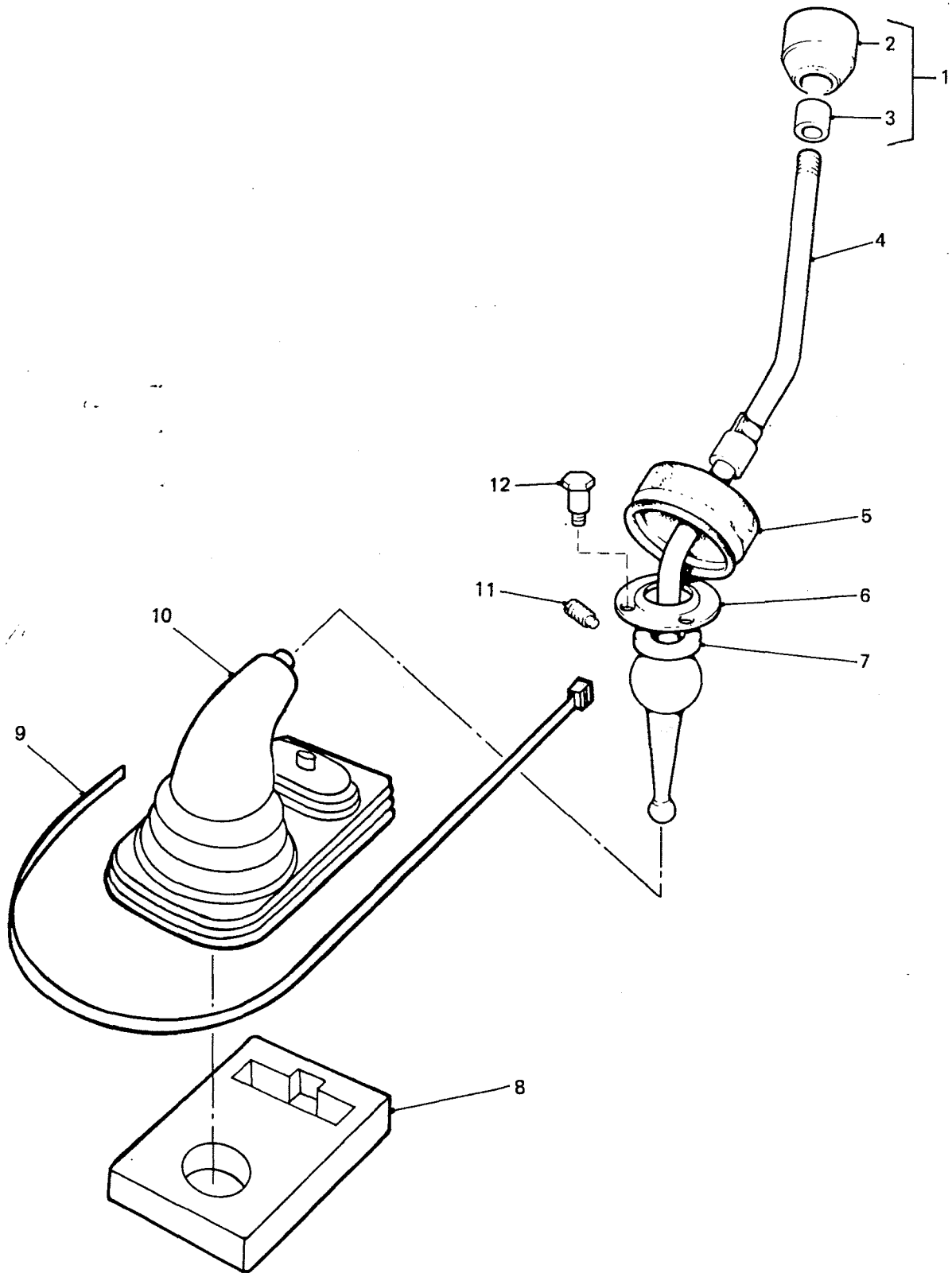
PERENTIE LAND ROVER PARTS LIST

ITEM	FC /1/1 PART NO.	TRANSMISSION FRONT COVER AND OIL PUMP DESCRIPTION	NSN	DERIVATIVE CODE								
				2188	2189	2190	2191	2192	2194	2195	2207 CP	
1	R576340	FRONT COVER & PUMP ASSEMBLY (INCL ITEMS 3,4,6-8,12,16)	2520-99-823-8296	1	1	1	1	1	1	1	1	1
2	R571137	 GASKET	5330-99-822-1515	1	1	1	1	1	1	1	1	1
3	R571059	SEAL-OIL	5330-99-818-9097	1	1	1	1	1	1	1	1	1
4	R591394	 RING-OIL-PICK UP	2520-99-823-8297	1	1	1	1	1	1	1	1	1
5	R571139	PLATE-RETAINING		1	1	1	1	1	1	1	1	1
6	R571168	PLUG-SCREWED	5365-99-829-8708	1	1	1	1	1	1	1	1	1
7	R556239	SPRING	5360-99-823-8750	1	1	1	1	1	1	1	1	1
8	1/4	BALL-STEEL	3110-00-100-6151	1	1	1	1	1	1	1	1	1
9	R571134	DOWEL-COVER		1	1	1	1	1	1	1	1	1
10	WM108001L	WASHER-LOCK	5310-99-135-9302	10	10	10	10	10	10	10	10	10
11	FB108061L	BOLT	5306-99-122-5253	5	5	5	5	5	5	5	5	5
12	R576342	 GEAR-INNER-OIL PUMP	3040-99-823-8299	1	1	1	1	1	1	1	1	1
13	90571106	GASKET	5330-99-824-0915	1	1	1	1	1	1	1	1	1
14	90571105	COVER-OIL PUMP	4320-99-829-8709	1	1	1	1	1	1	1	1	1
15	FS106161	SCREW	5305-99-122-5360	7	7	7	7	7	7	7	7	7
16	90571086	 GEAR-OUTER-OIL PUMP	3020-99-823-8298	1	1	1	1	1	1	1	1	1
17	R571732	SLEEVE-EXTENSION	2520-99-751-6713	1	1	1	1	1	1	1	1	1
18	NT108041L	NUT	5310-66-098-4402	4	4	4	4	4	4	4	4	4
19	WM108001L	WASHER-LOCK	5310-99-135-9302	9	9	9	9	9	9	9	9	9

CHANGE POINT

ARN INTRODUCTION

GROUP FD



TRANSMISSION GEAR LEVER AND FITTINGS

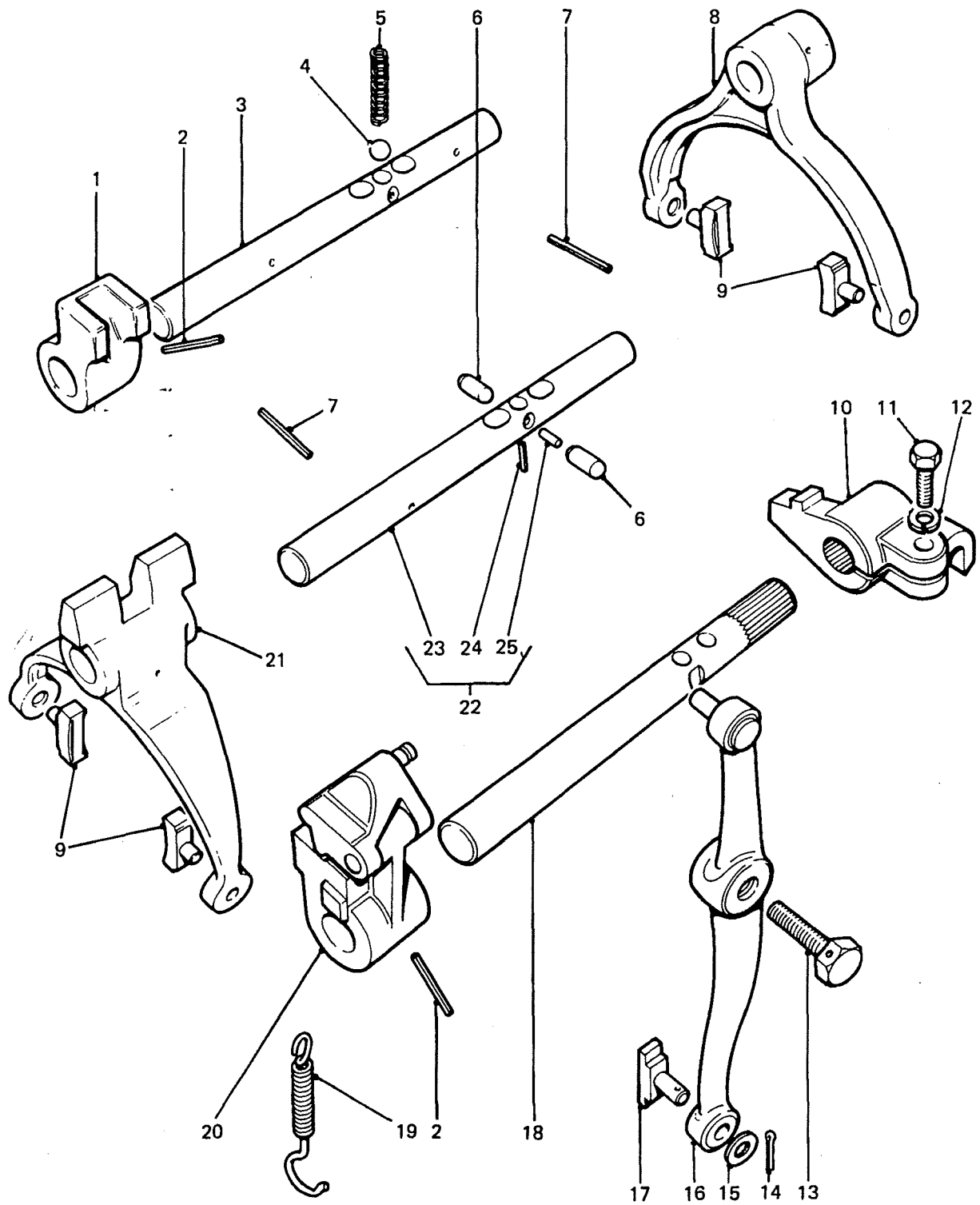
PERENTIE LAND ROVER PARTS LIST

<u>ITEM</u>	<u>PART NO.</u>	<u>DESCRIPTION</u>	<u>NSN</u>	<u>DERIVATIVE CODE</u>								
				<u>2188</u>	<u>2189</u>	<u>2190</u>	<u>2191</u>	<u>2192</u>	<u>2194</u>	<u>2195</u>	<u>2207</u>	<u>CP</u>
1	FRC5091	KNOB ASSY-GEAR LEVER (INCLUDES ITEMS 2-3)	5355-99-796-6107	1	1	1	1	1	1	1	1	1
2	R591562	KNOB		1	1	1	1	1	1	1	1	1
3	R576643	BUSH-RUBBER	5365-99-825-6066	1	1	1	1	1	1	1	1	1
4	FRC4754	LEVER-GEAR	2530-99-720-8135	1	1	1	1	1	1	1	1	1
5	NSS											
6	NSS											
7	R622387	WASHER DAMPER	5310-99-824-6596	1	1	1	1	1	1	1	1	1
8	MUC4027	INSULATING PAD-GAITER	2530-66-128-4849	1	1	1	1	1	1	1	1	1
9	AFU4173	CABLE TIE	5340-66-128-4525	1	1	1	1	1	1	1	1	1
10	BTR1698	GAITER	2530-66-128-4840	1	1	1	1	1	1	1	1	1
11	R576320	PIN OPERATING	5305-99-824-6597	1	1	1	1	1	1	1	1	1
12	R576319	SPECIAL BOLT	5306-99-137-7633	3	3	3	3	3	3	3	3	3

CHANGE POINT

ARN INTRODUCTION

GROUP FDA

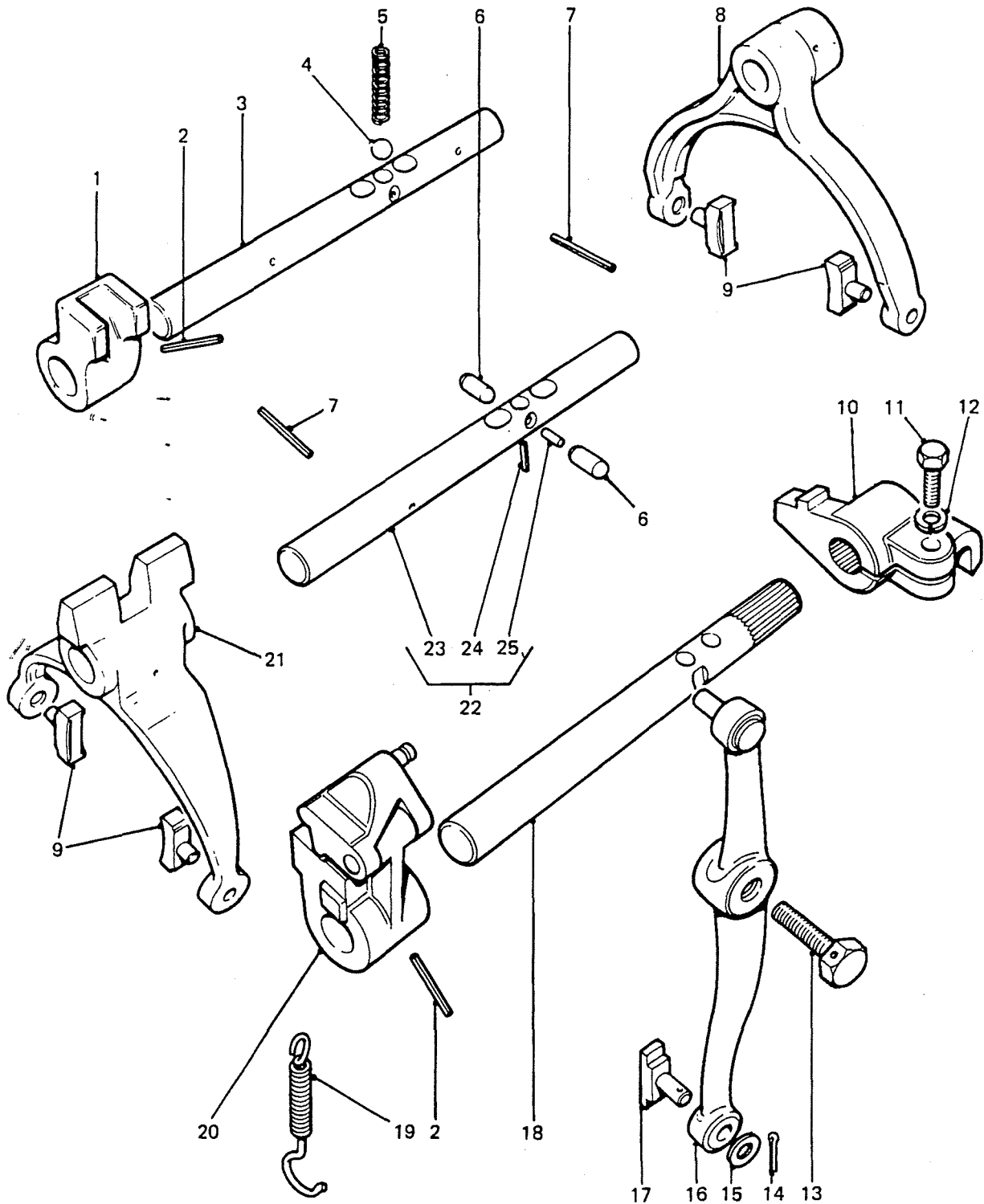


MAIN TRANSMISSION SELECTORS

PERENTIE LAND ROVER PARTS LIST

ITEM	FDA/1/1 PART NO.	MAIN TRANSMISSION SELECTORS DESCRIPTION	NSN	DERIVATIVE CODE								
				2188	2189	2190	2191	2192	2194	2195	2207	CP
1	FRC5598	JAW-SELECTOR 1ST/2ND GEARS		1	1	1	1	1	1	1	1	1
2	PA110300L	ROLL PIN		2	2	2	2	2	2	2	2	2
3	FRC5597	SHAFT-SELECTOR 1ST/2ND GEARS		1	1	1	1	1	1	1	1	1
4	R571146	BALL	3110-99-718-1217	2	2	2	2	2	2	2	2	2
5	R593802	SPRING-DETENT	5360-99-823-8019	2	2	2	2	2	2	2	2	2
6	R571962	PLUNGER-SELECTOR	2520-99-823-8280	2	2	2	2	2	2	2	2	2
7	PA110260L	ROLL PIN		2	2	2	2	2	2	2	2	2
8	RTC1688	FORK-SELECTOR-1ST/2ND GEARS		1	1	1	1	1	1	1	1	1
9	R622388	PAD-SWIVEL	2520-99-825-4556	4	4	4	4	4	4	4	4	4
10	R593991	FINGER-REVERSE		1	1	1	1	1	1	1	1	1
11	FS108251	SCREW	5305-99-122-5367	1	1	1	1	1	1	1	1	1
12	WM108001L	WASHER-LOCK	5310-99-135-9302	1	1	1	1	1	1	1	1	1
13	90576658	BOLT		1	1	1	1	1	1	1	1	1
14	R3958	PIN-COTTER	5315-99-138-2200	1	1	1	1	1	1	1	1	1
15	WA108051L	WASHER-PLAIN	5310-99-122-6475	1	1	1	1	1	1	1	1	1
16	R576656	LEVER-REVERSE		1	1	1	1	1	1	1	1	1
17	R571043	SELECTION FOOT -REVERSE LEVER	2520-99-823-8282	1	1	1	1	1	1	1	1	1
18	FRC4572	SHAFT-SELECTOR -REVERSE		1	1	1	1	1	1	1	1	1
19	R591320	SPRING-REVERSE STOP		1	1	1	1	1	1	1	1	1
20	FRC5648	HINGE-REVERSE STOP		1	1	1	1	1	1	1	1	1
21	RTC2446	FORK SELECTOR-3RD/4TH GEARS		1	1	1	1	1	1	1	1	1
22	FRC5618	SHAFT SELECTOR-3RD/4TH GEARS		1	1	1	1	1	1	1	1	1
23	NSS											

GROUP FDA



MAIN TRANSMISSION SELECTORS

PERENTIE LAND ROVER PARTS LIST

FDA/1/1

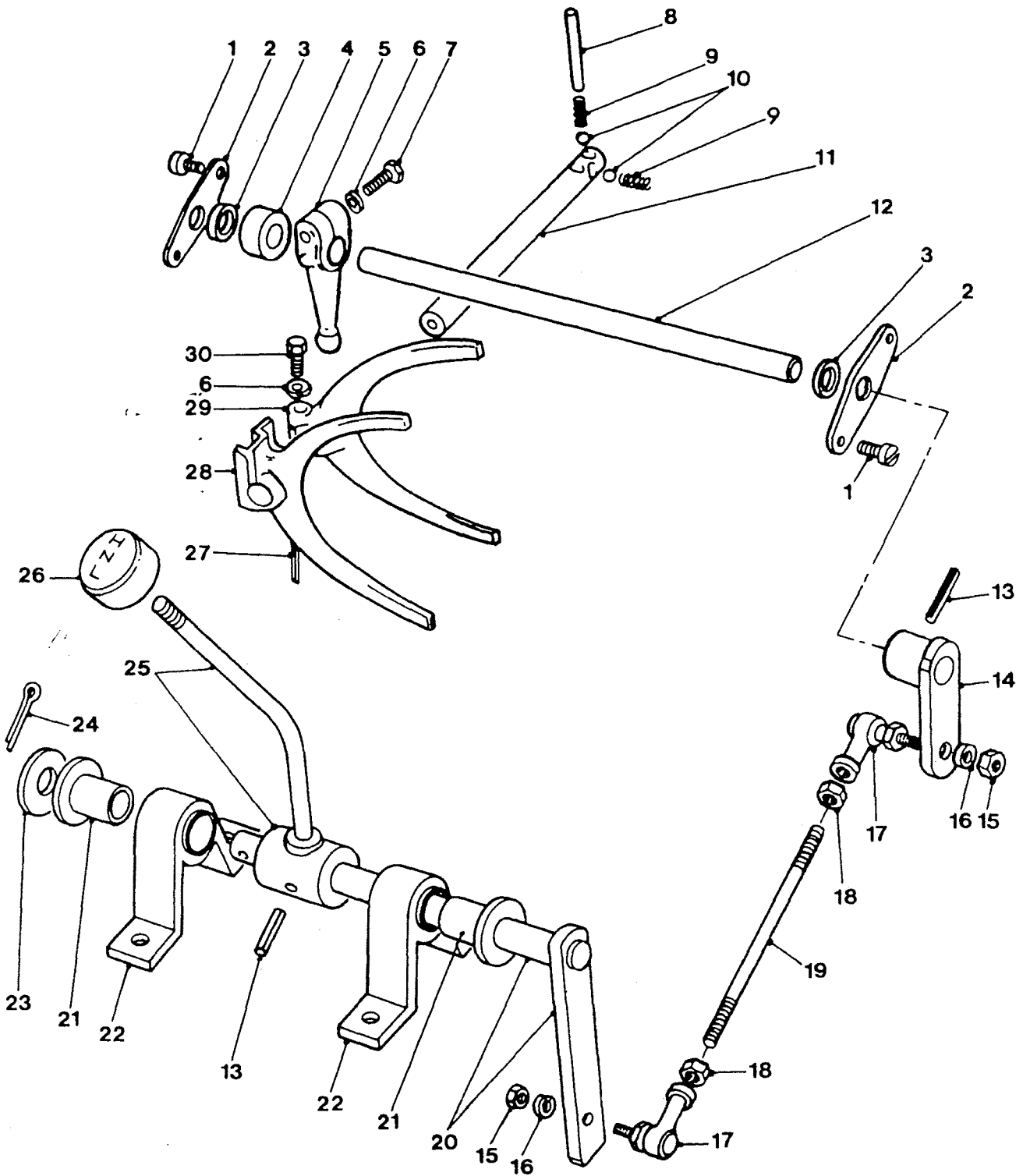
MAIN TRANSMISSION SELECTORS

<u>ITEM</u>	<u>PART NO.</u>	<u>DESCRIPTION</u>	<u>NSN</u>	<u>DERIVATIVE CODE</u>								
				<u>2188</u>	<u>2189</u>	<u>2190</u>	<u>2191</u>	<u>2192</u>	<u>2194</u>	<u>2195</u>	<u>2207</u>	<u>CP</u>
24	R571145	PIN SPRING		1	1	1	1	1	1	1	1	1
25	90571030	PIN-INTERLOCK SELECTOR		1	1	1	1	1	1	1	1	1

CHANGE POINT

ARN INTRODUCTION

GROUP FDB

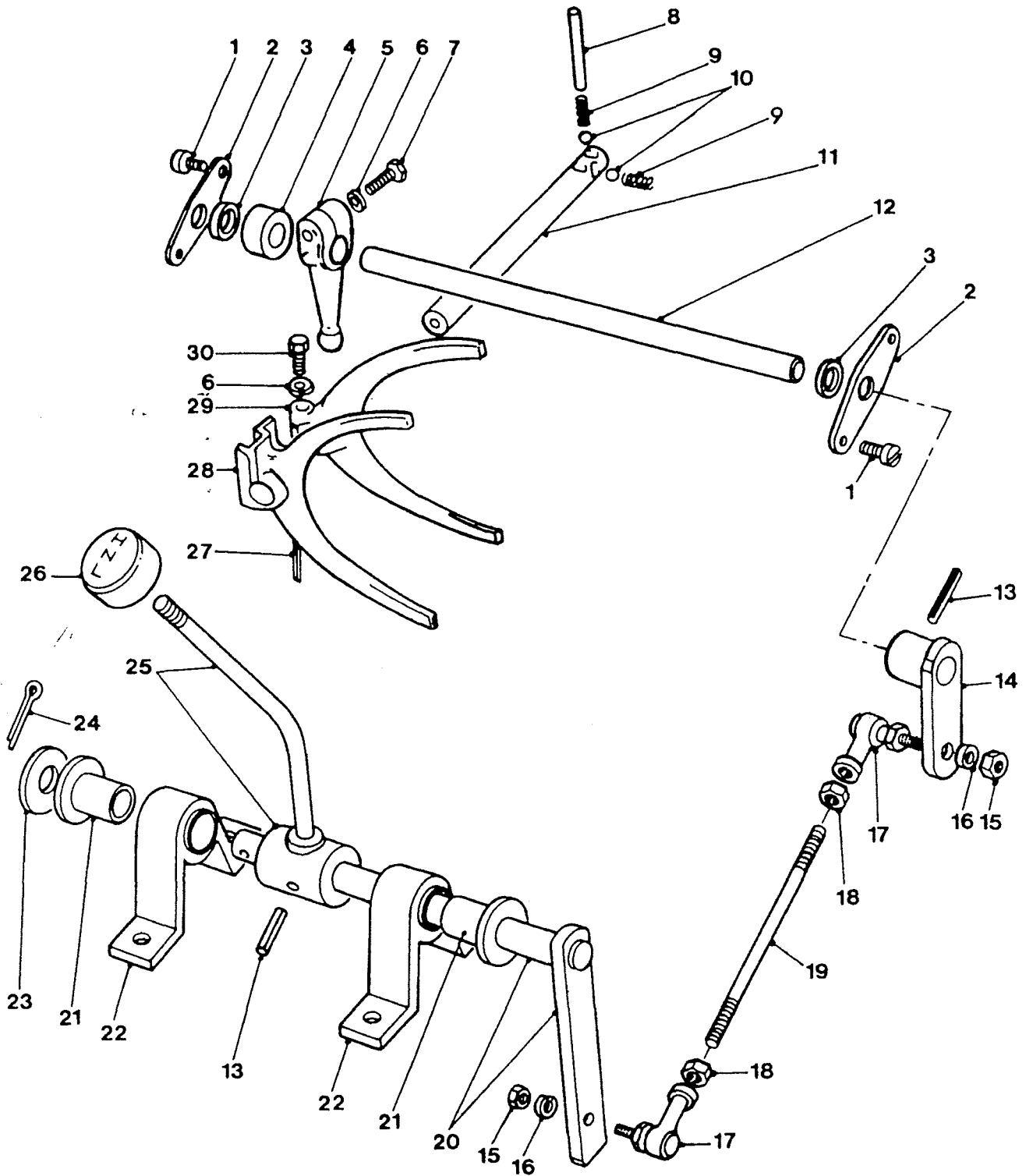


TRANSFER BOX SELECTOR ARRANGEMENT

PERENTIE LAND ROVER PARTS LIST

ITEM	FDB/1/1 PART NO.	DESCRIPTION	NSN	DERIVATIVE CODE								
				2188	2189	2190	2191	2192	2194	2195	2207	CP
1	SP108161	SCREW		4	4	4	4	4	4	4	4	
2	R576149	PLATE RETAINING		2	2	2	2	2	2	2	2	2
3	FRC6468	O RING	5330-99-107-2647	2	2	2	2	2	2	2	2	2
4	R593983	SPACER		1	1	1	1	1	1	1	1	1
5	R593981	SELECTOR		1	1	1	1	1	1	1	1	1
6	WM108001L	WASHER-LOCK	5310-99-135-9302	2	2	2	2	2	2	2	2	2
7	FS108201	SCREW		1	1	1	1	1	1	1	1	1
8	R571980	ROD		1	1	1	1	1	1	1	1	1
9	R593802	SPRING	5360-99-823-8019	2	2	2	2	2	2	2	2	2
10	R571146	BALL	3110-99-718-1217	2	2	2	2	2	2	2	2	2
11	R571981	SHAFT-SELECTOR HIGH/LOW TRANSFER		1	1	1	1	1	1	1	1	1
12	FRC5882	CROSS SHAFT-GEARCHANGE		1	1	1	1	1	1	1	1	1
13	MYH3747	ROLL-PIN-LEVER		2	2	2	2	2	2	2	2	2
14	AYG3489	LEVER ASSY		1	1	1	1	1	1	1	1	1
15	FN108041	NUT	5310-99-499-8033	2	2	2	2	2	2	2	2	2
16	WL108001L	WASHER-LOCK	5310-99-137-9231	2	2	2	2	2	2	2	2	2
17	MYH3219	JOINT-BALL-UPPER	3040-66-128-4852	1	1	1	1	1	1	1	1	1
17	MYH3500	BALL JOINT-LOWER		1	1	1	1	1	1	1	1	1
18	NT108041L	NUT	5310-66-098-4402	2	2	2	2	2	2	2	2	2
19	AYG3491	ROD-LEVER		1	1	1	1	1	1	1	1	1
20	AYG3488	SHAFT ASSY		1	1	1	1	1	1	1	1	1
21	MYH3217	BUSH	3120-66-128-4844	2	2	2	2	2	2	2	2	2
22	AYG3546	PIVOT ASSY		2	2	2	2	2	2	2	2	2
23	WA116101L	WASHER-PLAIN	5310-99-122-6479	1	1	1	1	1	1	1	1	1
24	PS106251L	SPLIT PIN	5315-66-097-0335	1	1	1	1	1	1	1	1	1
25	AYG3556	LEVER ASSY-TRANSFER		1	1	1	1	1	1	1	1	1
26	FRC6126	KNOB-TRANSFER LEVER	5355-99-796-6109	1	1	1	1	1	1	1	1	1
	R576643	SLEEVE-GEAR LEVER KNOB (PART OF FRC6126)	5365-99-825-6066	1	1	1	1	1	1	1	1	1

GROUP FDB



TRANSFER BOX SELECTOR ARRANGEMENT

PERENTIE LAND ROVER PARTS LIST

FDB/1/1

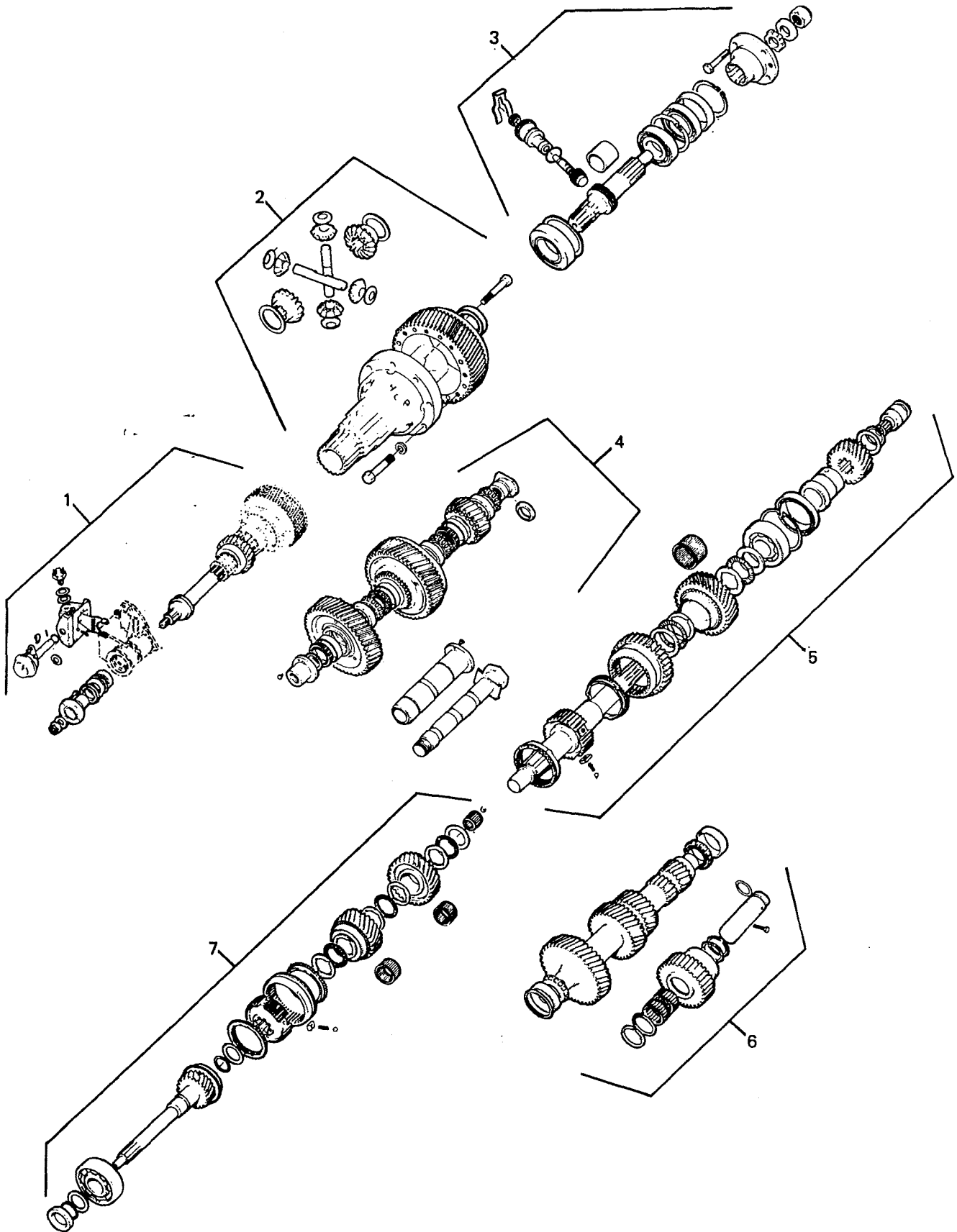
TRANSFER BOX SELECTOR ARRANGEMENT

<u>ITEM</u>	<u>PART NO.</u>	<u>DESCRIPTION</u>	<u>NSN</u>	<u>DERIVATIVE CODE</u>								
				<u>2188</u>	<u>2189</u>	<u>2190</u>	<u>2191</u>	<u>2192</u>	<u>2194</u>	<u>2195</u>	<u>2207</u>	<u>CP</u>
27	R571158	PIN	5315-99-822-1719	1	1	1	1	1	1	1	1	1
28	R571982	FORK-SELECTOR-FRONT		1	1	1	1	1	1	1	1	1
29	R571983	FORK-SELECTOR-REAR		1	1	1	1	1	1	1	1	1
30	FB108061	BOLT	5306-99-122-5253	1	1	1	1	1	1	1	1	1

CHANGE POINT

ARN INTRODUCTION

GROUP FE



TRANSMISSION GEAR TRAIN

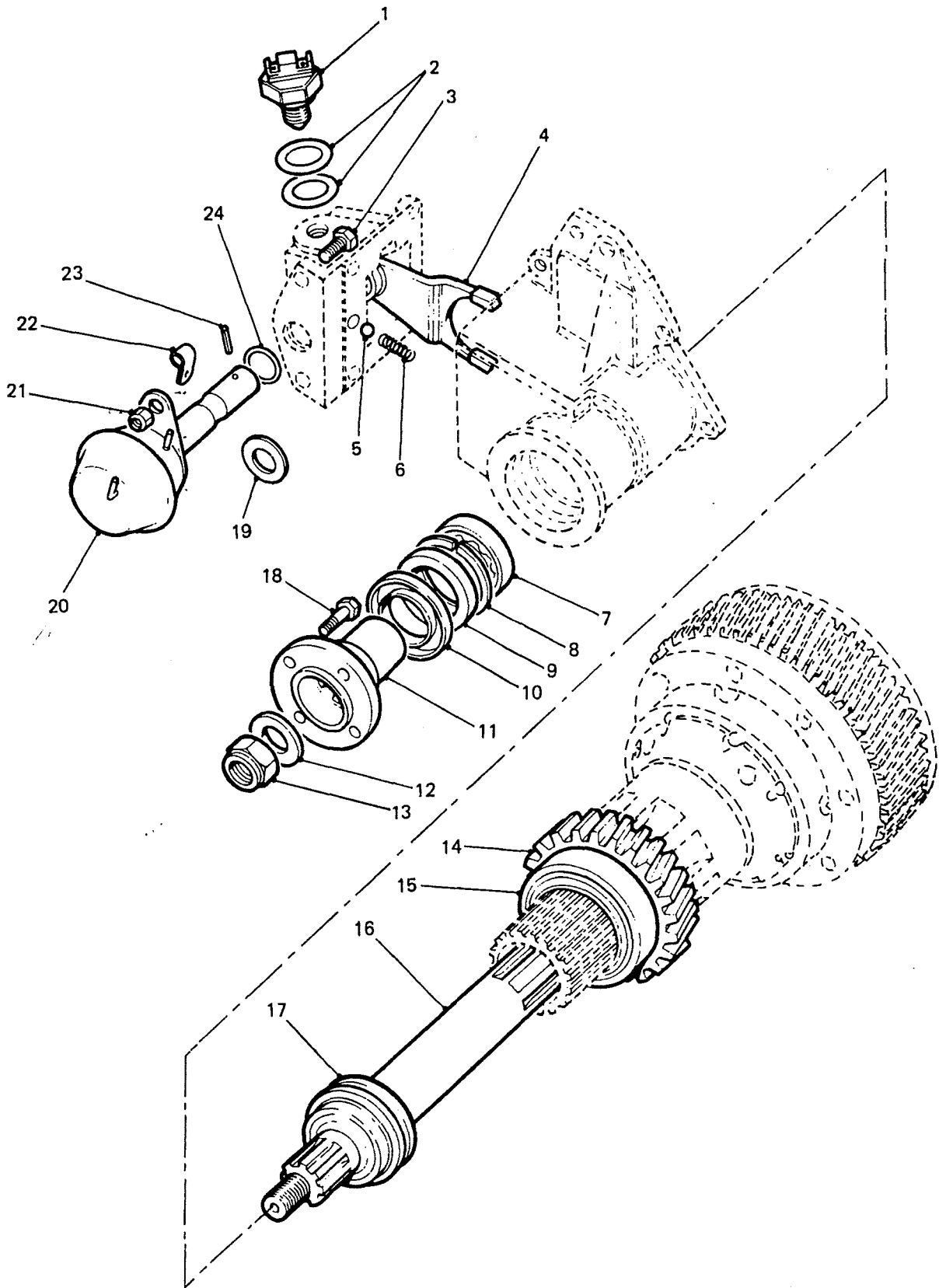
PERENTIE LAND ROVER PARTS LIST

ITEM	PART NO.	DESCRIPTION	NSN	DERIVATIVE CODE										
				2188	2189	2190	2191	2192	2194	2195	2207	CP		
1		FRONT OUTPUT SHAFT AND ACTUATOR (REFER GROUP FEA)												
2		TRANSFER GEARBOX DIFFERENTIAL (REFER GROUP FEB)												
3		REAR OUTPUT SHAFT AND SPEEDO DRIVE (REFER GROUP FEC)												
4		INTERMEDIATE GEARS (REFER GROUP FED)												
5		1ST SPEED MAINSHAFT AND TRANSFER GEAR (REFER GROUP FEE)												
6		COUNTERSHAFT AND REVERSE IDLER (REFER GROUP FEF)												
7		PRIMARY 2ND AND 3RD MAINSHAFT GEARS (REFER GROUP FEG)												

CHANGE POINT

ARN INTRODUCTION

GROUP FEA

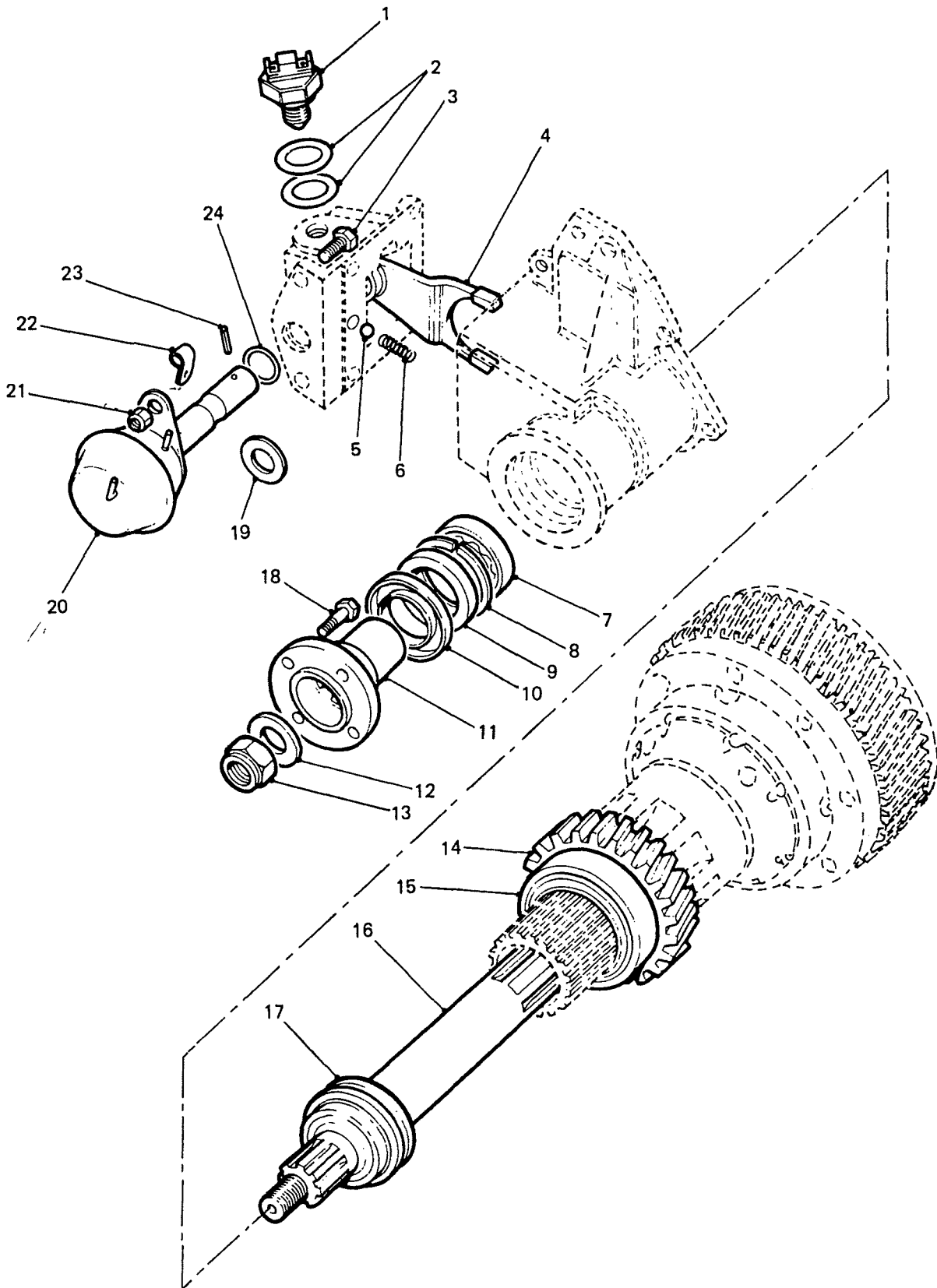


FRONT OUTPUT SHAFT AND ACTUATOR

PERENTIE LAND ROVER PARTS LIST

ITEM	FEA/1/1 PART NO.	FRONT OUTPUT SHAFT AND ACTUATOR DESCRIPTION	NSN	DERIVATIVE CODE							
				2188	2189	2190	2191	2192	2194	2195	2207 CP
1	RTC4512	SWITCH-WARNING LIGHT DIFF LOCK	5930-99-768-3325	1	1	1	1	1	1	1	1
2	FRC5674	SHIM	5330-99-798-0218	2	2	2	2	2	2	2	2
3	SF108201L	SCREW		2	2	2	2	2	2	2	2
4	R571956	FORK-LOCK-UP DOG CLUTCH		1	1	1	1	1	1	1	1
5	R571146	BALL	3110-99-718-1217	1	1	1	1	1	1	1	1
6	R593802	SPRING	5360-99-823-8019	1	1	1	1	1	1	1	1
7	R217325	BEARING	3110-99-333-2992	1	1	1	1	1	1	1	1
8	90217526	CIRCLIP		1	1	1	1	1	1	1	1
9	R571175	OIL SEAL	5330-99-822-1858	1	1	1	1	1	1	1	1
10	R571177	MUDSHIELD	2520-99-823-8008	1	1	1	1	1	1	1	1
11	R571953	FLANGE COUPLING-FRONT	2520-99-823-8007	1	1	1	1	1	1	1	1
12	R571174	FLAT WASHER	5310-99-137-6191	1	1	1	1	1	1	1	1
13	NY116041L	NUT	5310-99-122-5503	1	1	1	1	1	1	1	1
14	FRC4032	GEAR-OUTPUT -HIGH RANGE		1	1	1	1	1	1	1	
	FRC2638	GEAR-OUTPUT -HIGH RANGE-RFSV ONLY									1
15	R606473	BEARING-TAPER ROLLER	3110-99-823-8010	1	1	1	1	1	1	1	1
16	R594337	SHAFT-OUTPUT-FRONT		1	1	1	1	1	1	1	1
17	R571875	DOG CLUTCH		1	1	1	1	1	1	1	1
18	R509045P	BOLT	5306-99-123-3720	4	4	4	4	4	4	4	4
19	R591345	WASHER-PLAIN	5330-99-822-1850	1	1	1	1	1	1	1	1
20	R571957	VACUUM ACTUATOR	2520-99-822-1863	1	1	1	1	1	1	1	1
	FRC2258	HEATSHIELD-VACUUM ACTUATOR		1	1	1	1	1	1	1	1
21	NY108041L	NUT-NYLOC	5310-99-122-5496	2	2	2	2	2	2	2	2
22	R523203	CLIP		1	1	1	1	1	1	1	1
23	R571158	PIN	5315-99-822-1719	1	1	1	1	1	1	1	1

GROUP FEA



FRONT OUTPUT SHAFT AND ACTUATOR

PERENTIE LAND ROVER PARTS LIST

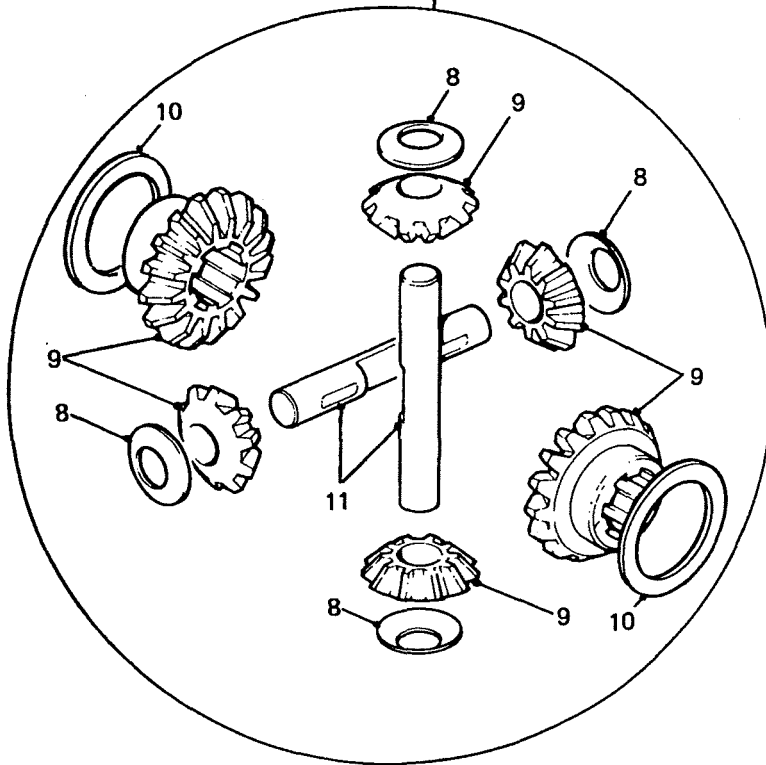
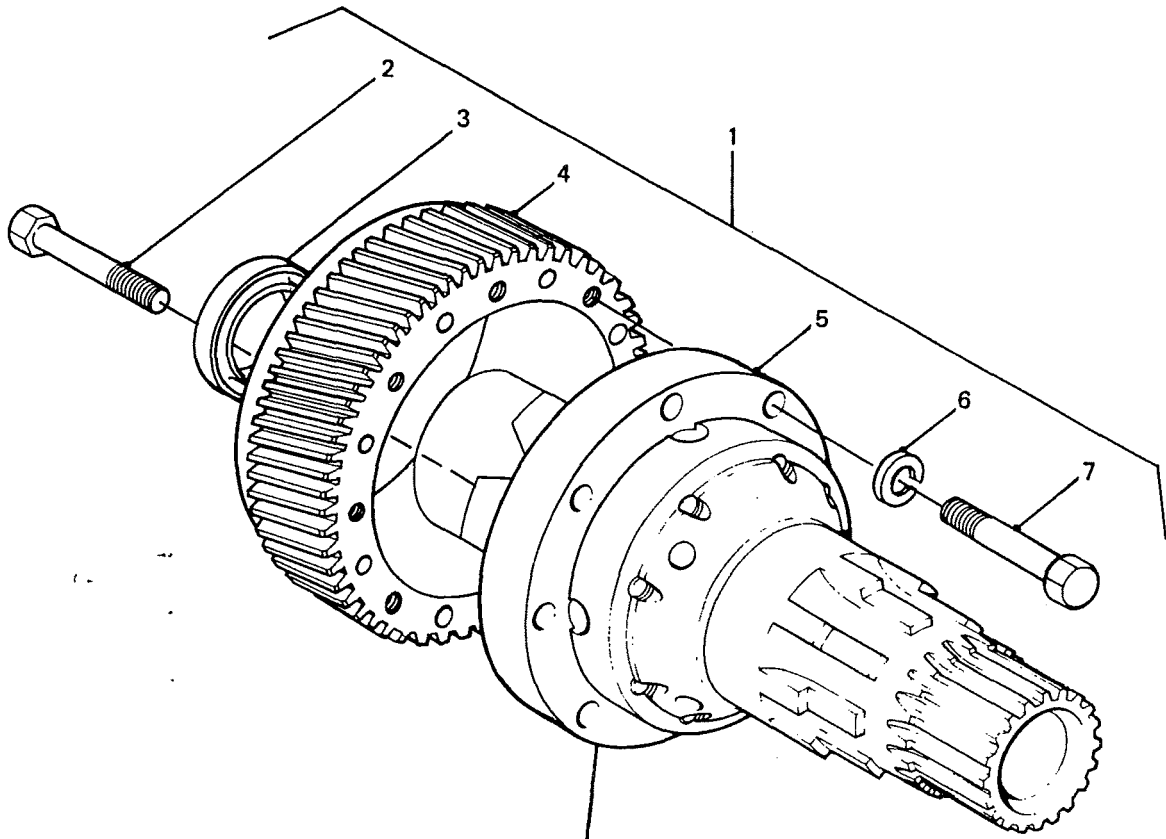
FEA/1/1 FRONT OUTPUT SHAFT AND ACTUATOR

<u>ITEM</u>	<u>PART NO.</u>	<u>DESCRIPTION</u>	<u>NSN</u>	<u>DERIVATIVE CODE</u>								<u>CP</u>
				<u>2188</u>	<u>2189</u>	<u>2190</u>	<u>2191</u>	<u>2192</u>	<u>2194</u>	<u>2195</u>	<u>2207</u>	
24	R571991	O RING	5330-99-822-1864	1	1	1	1	1	1	1	1	1

CHANGE POINT

ARN INTRODUCTION

GROUP FEB



TRANSFER BOX DIFFERENTIAL

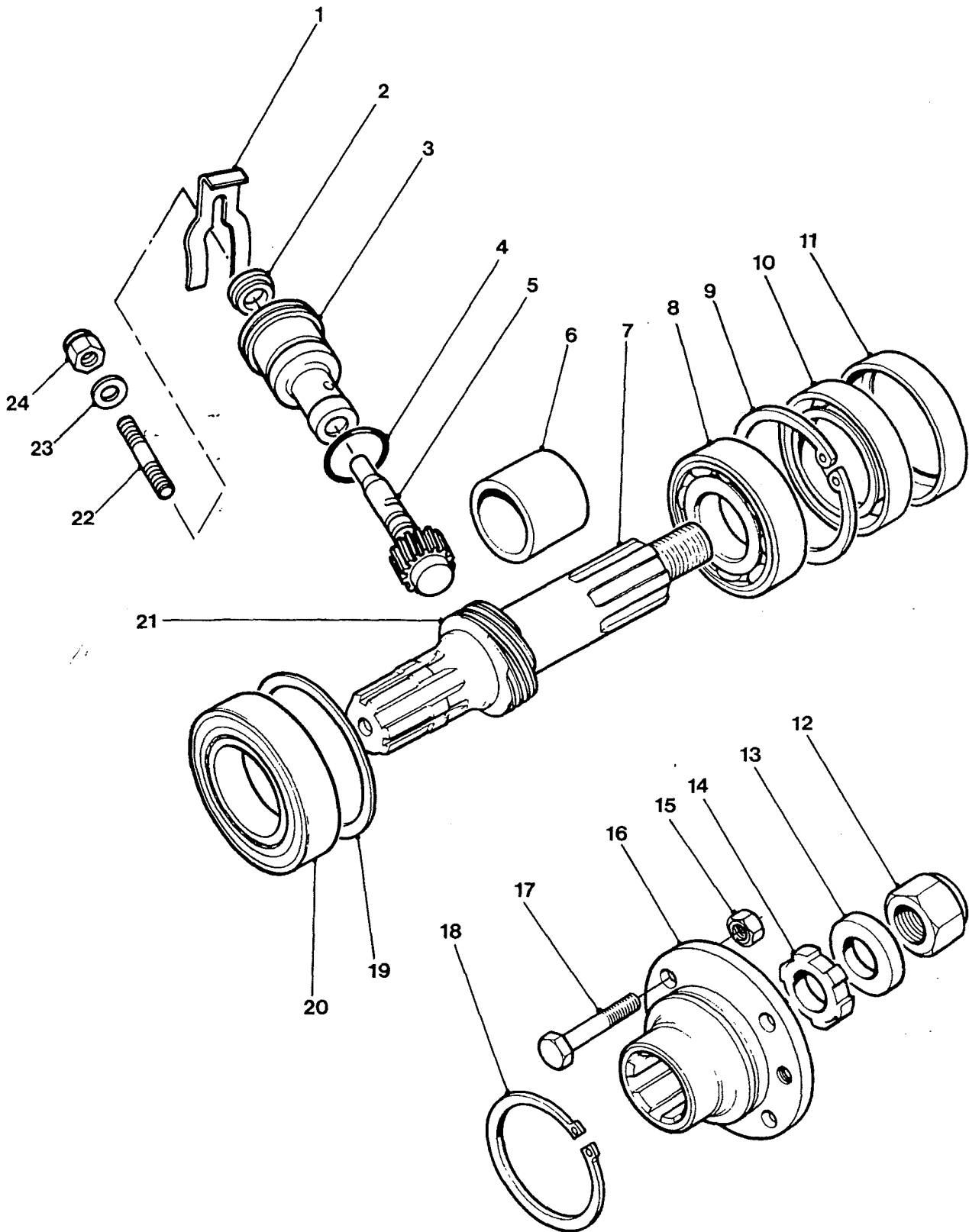
PERENTIE LAND ROVER PARTS LIST

ITEM	PART NO.	DESCRIPTION	NSN	DERIVATIVE CODE								
				2188	2189	2190	2191	2192	2194	2195	2207	CP
1	FRC9966	DIFFERENTIAL ASSY (INCL ITEMS 2 TO 11)		1	1	1	1	1	1	1	1	1
2	BH110121L	BOLT	5305-99-122-8668	8	8	8	8	8	8	8	8	8
3	FRC7745	RING		1	1	1	1	1	1	1	1	1
4	NSS											
5	NSS											
6	WL110001L	WASHER-LOCK	5310-99-138-9228	8	8	8	8	8	8	8	8	8
7	BH110071L	BOLT	5306-99-122-2772	8	8	8	8	8	8	8	8	8
8	FRC6968	WASHER-THRUST - 1.05MM		4	4	4	4	4	4	4	4	4
9	R608142	GEAR SET-DIFFERENTIAL (INCLUDES ITEM 8)		1	1	1	1	1	1	1	1	1
10	FRC9845	WASHER-THRUST - 1.05MM		1	1	1	1	1	1	1	1	1
10	FRC9847	WASHER-THRUST - 1.15MM		1	1	1	1	1	1	1	1	1
10	FRC9849	WASHER-THRUST - 1.25MM		1	1	1	1	1	1	1	1	1
10	FRC6962	WASHER-THRUST - 1.35MM		1	1	1	1	1	1	1	1	1
10	FRC6964	WASHER-THRUST - 1.45MM		1	1	1	1	1	1	1	1	1
11	FRC9030	PIN-CROSS-DIFFERENTIAL		2	2	2	2	2	2	2	2	2

CHANGE POINT

ARN INTRODUCTION

GROUP FEC

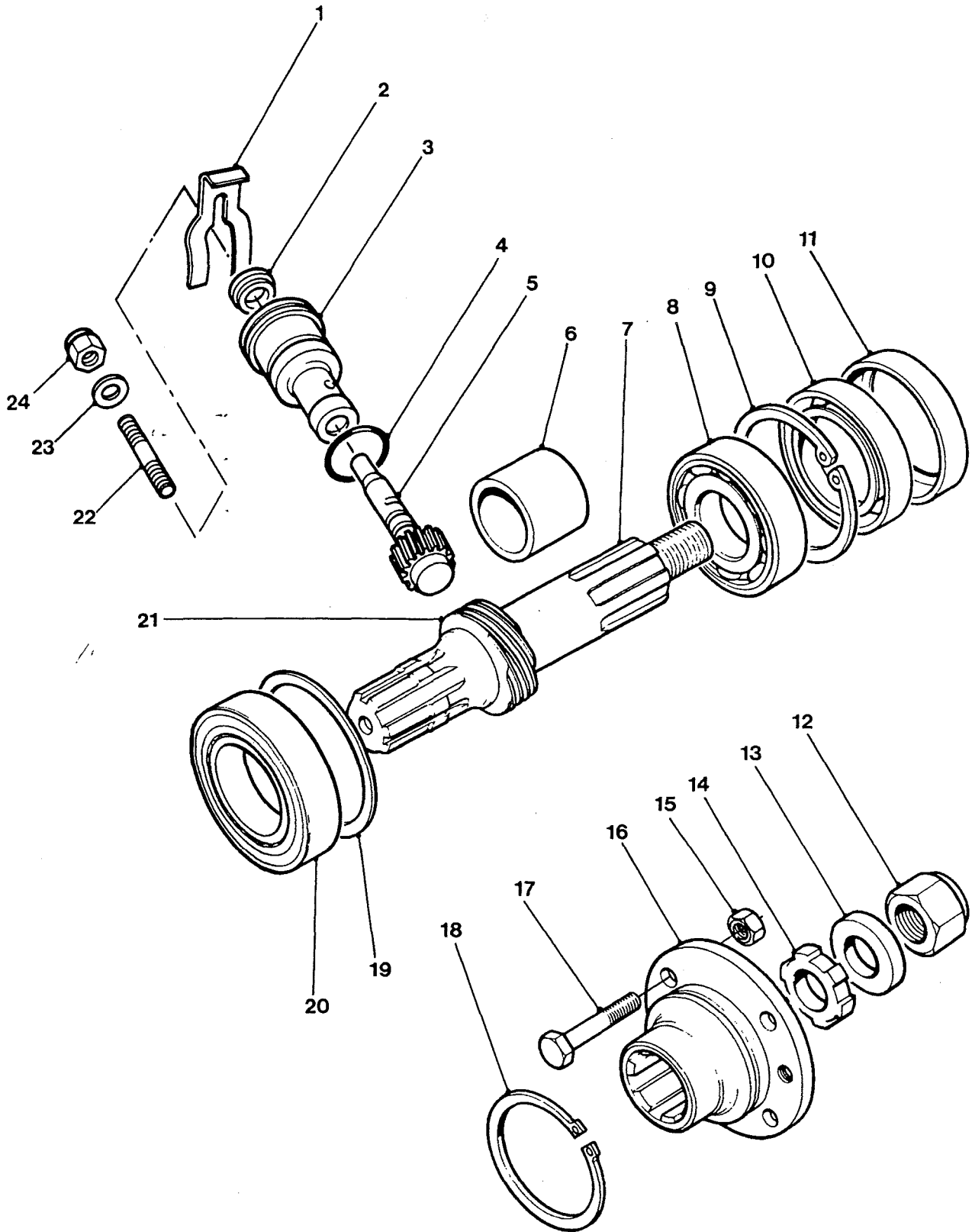


**REAR OUTPUT SHAFT AND
SPEEDOMETER DRIVE**

PERENTIE LAND ROVER PARTS LIST

ITEM	PART NO.	DESCRIPTION	NSN	DERIVATIVE CODE								
				2188	2189	2190	2191	2192	2194	2195	2207	CP
1	R533765	PLATE-RETAINING	5330-99-823-8016	1	1	1	1	1	1	1	1	1
2	AAU2304	OIL SEAL	5330-99-756-6528	1	1	1	1	1	1	1	1	1
3	FRC3286	HOUSING-SPEEDO DRIVE		1	1	1	1	1	1	1	1	1
4	R571665	O RING	5330-99-810-5080	1	1	1	1	1	1	1	1	1
5	FRC3310	GEAR-SPEEDO DRIVE-20 TEETH-BLUE	3040-99-792-0909	1	1	1	1	1	1	1	1	1
6	90576632	BUSH		1	1	1	1	1	1	1	1	1
7	R594338	SHAFT-OUTPUT REAR		1	1	1	1	1	1	1	1	1
8	RTC3406	BEARING		1	1	1	1	1	1	1	1	1
9	R216962	CIRCLIP		1	1	1	1	1	1	1	1	1
10	90622240	OIL SEAL	5330-99-823-6057	1	1	1	1	1	1	1	1	1
11	R571970	OIL SHIELD	5330-99-823-8013	1	1	1	1	1	1	1	1	1
12	NY120041L	NUT LOCK	5310-99-122-5504	1	1	1	1	1	1	1	1	1
13	R571468	FLAT WASHER	5310-99-138-4883	1	1	1	1	1	1	1	1	1
14	R594029	OIL SEAL	2520-99-822-1854	1	1	1	1	1	1	1	1	1
15	NY606041L	NUT-NYLOC	5310-99-943-4299	4	4	4	4	4	4	4	4	4
16	FRC3509	OUTPUT FLANGE		1	1	1	1	1	1	1	1	1
17	90576626	BOLT	5306-99-137-4480	4	4	4	4	4	4	4	4	4
18	R571682	CIRCLIP	5365-99-910-8251	1	1	1	1	1	1	1	1	1
19	R593717	SHIM-2.80MM		1	1	1	1	1	1	1	1	1
19	R593716	SHIM-2.75MM		1	1	1	1	1	1	1	1	1
19	R593715	SHIM-2.70MM		1	1	1	1	1	1	1	1	1
19	R593714	SHIM-2.65MM		1	1	1	1	1	1	1	1	1
19	R593713	SHIM-2.60MM		1	1	1	1	1	1	1	1	1
19	R593712	SHIM-2.55MM		1	1	1	1	1	1	1	1	1
19	R593711	SHIM-2.50MM		1	1	1	1	1	1	1	1	1
19	R593710	SHIM-2.45MM		1	1	1	1	1	1	1	1	1
19	R593709	SHIM-2.40MM		1	1	1	1	1	1	1	1	1
19	R593708	SHIM-2.35MM		1	1	1	1	1	1	1	1	1
19	R593707	SHIM-2.30MM		1	1	1	1	1	1	1	1	1

GROUP FEC



**REAR OUTPUT SHAFT AND
SPEEDOMETER DRIVE**

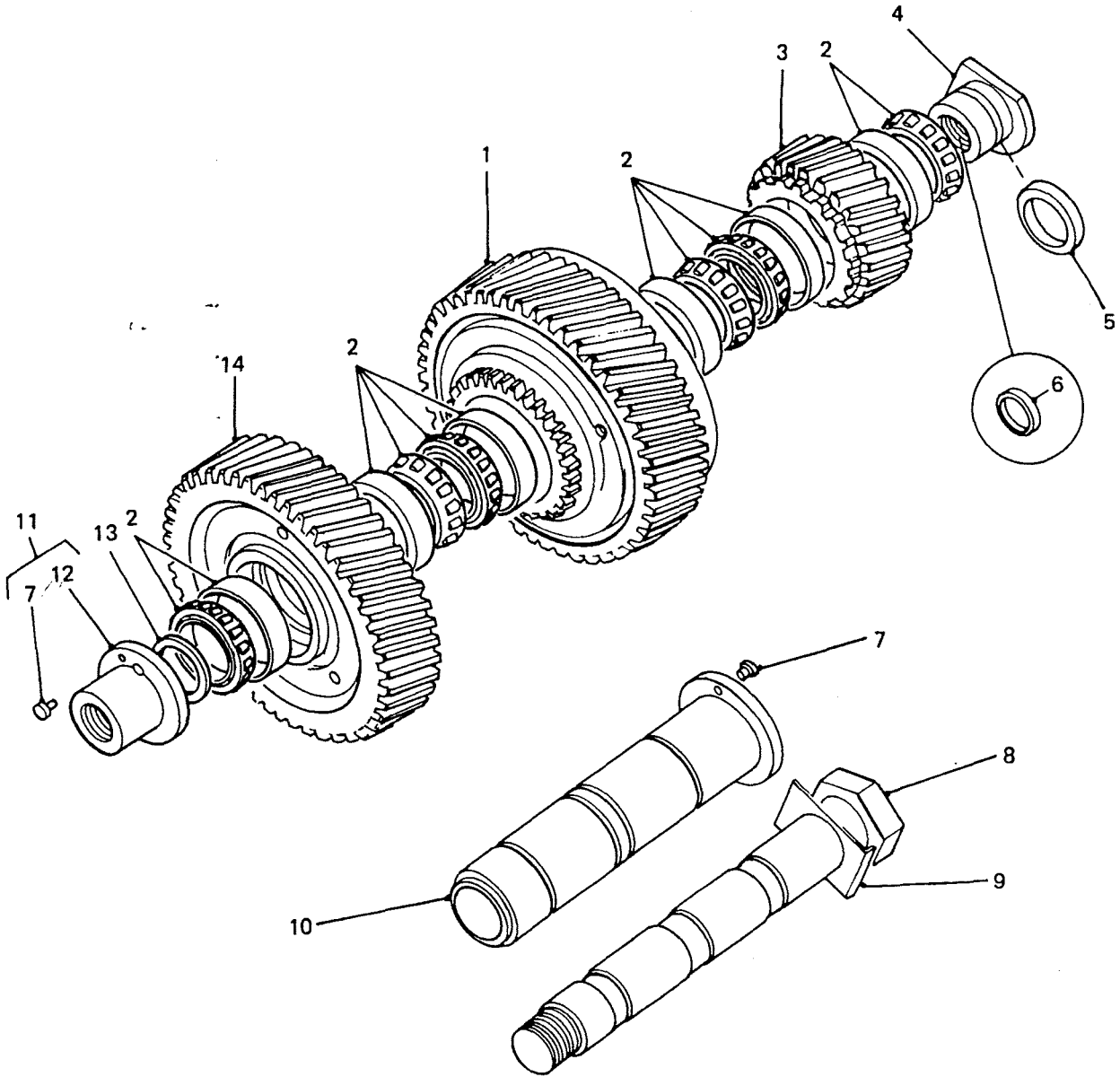
PERENTIE LAND ROVER PARTS LIST

ITEM	FEC/1/1 PART NO.	REAR OUTPUT SHAFT AND SPEEDOMETER DRIVE DESCRIPTION	NSN	DERIVATIVE CODE							CP
				2188	2189	2190	2191	2192	2194	2195	
19	R593706	SHIM-2.25MM		1	1	1	1	1	1	1	1
19	R593705	SHIM-2.20MM		1	1	1	1	1	1	1	1
19	R593704	SHIM-2.15MM		1	1	1	1	1	1	1	1
19	R593703	SHIM-2.10MM		1	1	1	1	1	1	1	1
19	R593702	SHIM-2.05MM		1	1	1	1	1	1	1	1
19	R593701	SHIM-2.00MM		1	1	1	1	1	1	1	1
19	R593700	SHIM-1.95MM		1	1	1	1	1	1	1	1
19	R593699	SHIM-1.90MM		1	1	1	1	1	1	1	1
19	R593698	SHIM-1.85MM		1	1	1	1	1	1	1	1
19	R593697	SHIM-1.80MM		1	1	1	1	1	1	1	1
19	R593696	SHIM-1.75MM		1	1	1	1	1	1	1	1
19	R593695	SHIM-1.70MM		1	1	1	1	1	1	1	1
19	R593694	SHIM-1.65MM		1	1	1	1	1	1	1	1
20	R606474	BEARING-TAPER ROLLER	3110-00-138-4409	1	1	1	1	1	1	1	1
21	FRC3162	WORM-SPEEDO DRIVE		1	1	1	1	1	1	1	1
22	R571536	STUD	5307-99-137-4409	1	1	1	1	1	1	1	1
23	WA106041L	WASHER-PLAIN	5310-66-098-4440	1	1	1	1	1	1	1	1
24	NY106041L	NUT-NYLOC	5310-99-138-8423	1	1	1	1	1	1	1	1

CHANGE POINT

ARN INTRODUCTION

GROUP FED

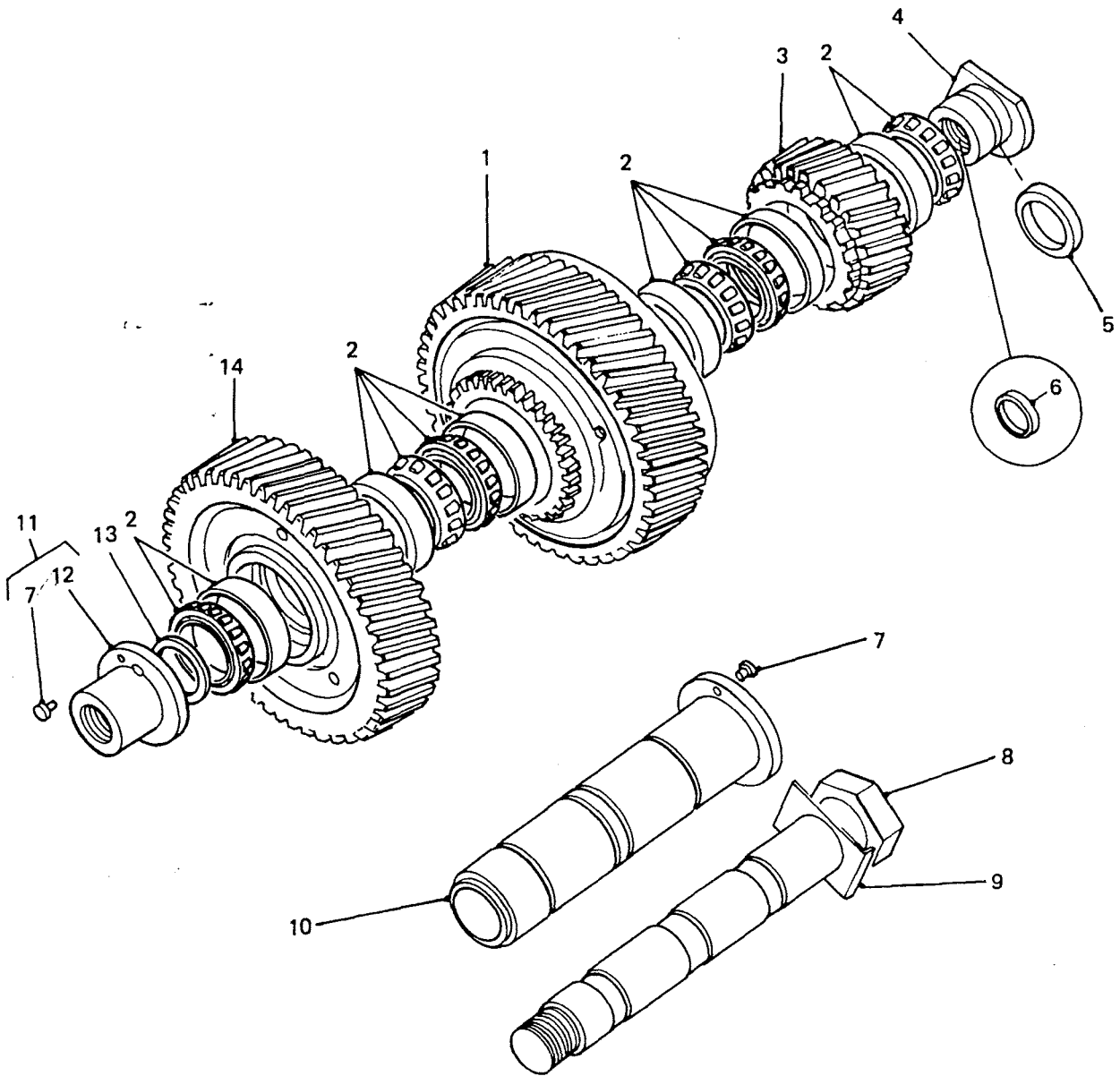


INTERMEDIATE GEARS

PERENTIE LAND ROVER PARTS LIST

ITEM	PART NO.	DESCRIPTION	NSN	DERIVATIVE CODE								
				2188	2189	2190	2191	2192	2194	2195	2207	CP
1	FTC3733	GEAR-INPUT-HIGH/LOW RANGE		1	1	1	1	1	1	1	1	1
2	FRC9400	BEARING		6	6	6	6	6	6	6	6	6
3	FRC9393	GEAR-LOW RANGE		1	1	1	1	1	1	1	1	1
4	FRC9397	SPACER		1	1	1	1	1	1	1	1	1
5	R532323	O.RING		1	1	1	1	1	1	1	1	1
6	RTC6167	O.RING		1	1	1	1	1	1	1	1	1
7	FRC9401	PIN-INTERMEDIATE GEAR SHAFT		2	2	2	2	2	2	2	2	2
8	FTC1058	BOLT-SHAFT (USE WITH SHAFT FTC 1060)		1	1	1	1	1	1	1	1	1
9	FRC9418	WASHER-TAB		1	1	1	1	1	1	1	1	1
10	FTC1060	SHAFT ASSY-INTERMEDIATE GEAR (USE WITH BOLT FTC1058)		1	1	1	1	1	1	1	1	1
11	FRC9394	PLUG ASSY		1	1	1	1	1	1	1	1	1
12	NSS											
13	STC209	SHIM-SHAFT-3.5MM		1	1	1	1	1	1	1	1	1
13	FTC387	SHIM-SHAFT-3.6MM		1	1	1	1	1	1	1	1	1
13	STC210	SHIM-SHAFT-3.7MM		1	1	1	1	1	1	1	1	1
13	FTC389	SHIM-SHAFT-3.8MM		1	1	1	1	1	1	1	1	1
13	STC211	SHIM-SHAFT-3.9MM		1	1	1	1	1	1	1	1	1
13	FTC391	SHIM-SHAFT-4.0MM		1	1	1	1	1	1	1	1	1
13	STC212	SHIM-SHAFT-4.1MM		1	1	1	1	1	1	1	1	1
13	FTC393	SHIM-SHAFT-4.2MM		1	1	1	1	1	1	1	1	1
13	STC213	SHIM-SHAFT-4.3MM		1	1	1	1	1	1	1	1	1
13	FTC395	SHIM-SHAFT-4.4MM		1	1	1	1	1	1	1	1	1
13	STC214	SHIM-SHAFT-4.5MM		1	1	1	1	1	1	1	1	1
13	FTC397	SHIM-SHAFT4.6MM		1	1	1	1	1	1	1	1	1
13	STC215	SHIM-SHAFT-4.7MM		1	1	1	1	1	1	1	1	1

GROUP FED



INTERMEDIATE GEARS

PERENTIE LAND ROVER PARTS LIST

ITEM	PART NO.	DESCRIPTION	NSN	DERIVATIVE CODE								
				2188	2189	2190	2191	2192	2194	2195	2207	CP
13	FTC399	SHIM-SHAFT-4.8MM		1	1	1	1	1	1	1	1	1
13	AYG3470	SHIM-SHAFT-4.9MM		1	1	1	1	1	1	1	1	1
13	FRC9922	SHIM-SHAFT-5.0MM		1	1	1	1	1	1	1	1	1
13	AYG3472	SHIM-SHAFT-5.1MM		1	1	1	1	1	1	1	1	1
13	FRC9923	SHIM-SHAFT-5.2MM		1	1	1	1	1	1	1	1	1
13	AYG3474	SHIM-SHAFT-5.3MM		1	1	1	1	1	1	1	1	1
13	AYG3475	SHIM-SHAFT-5.4MM		1	1	1	1	1	1	1	1	1
14	FRC9392	GEAR-HIGH RANGE		1	1	1	1	1	1	1		
14	FTC2012	GEAR-HIGH RANGE-RFSV ONLY										1

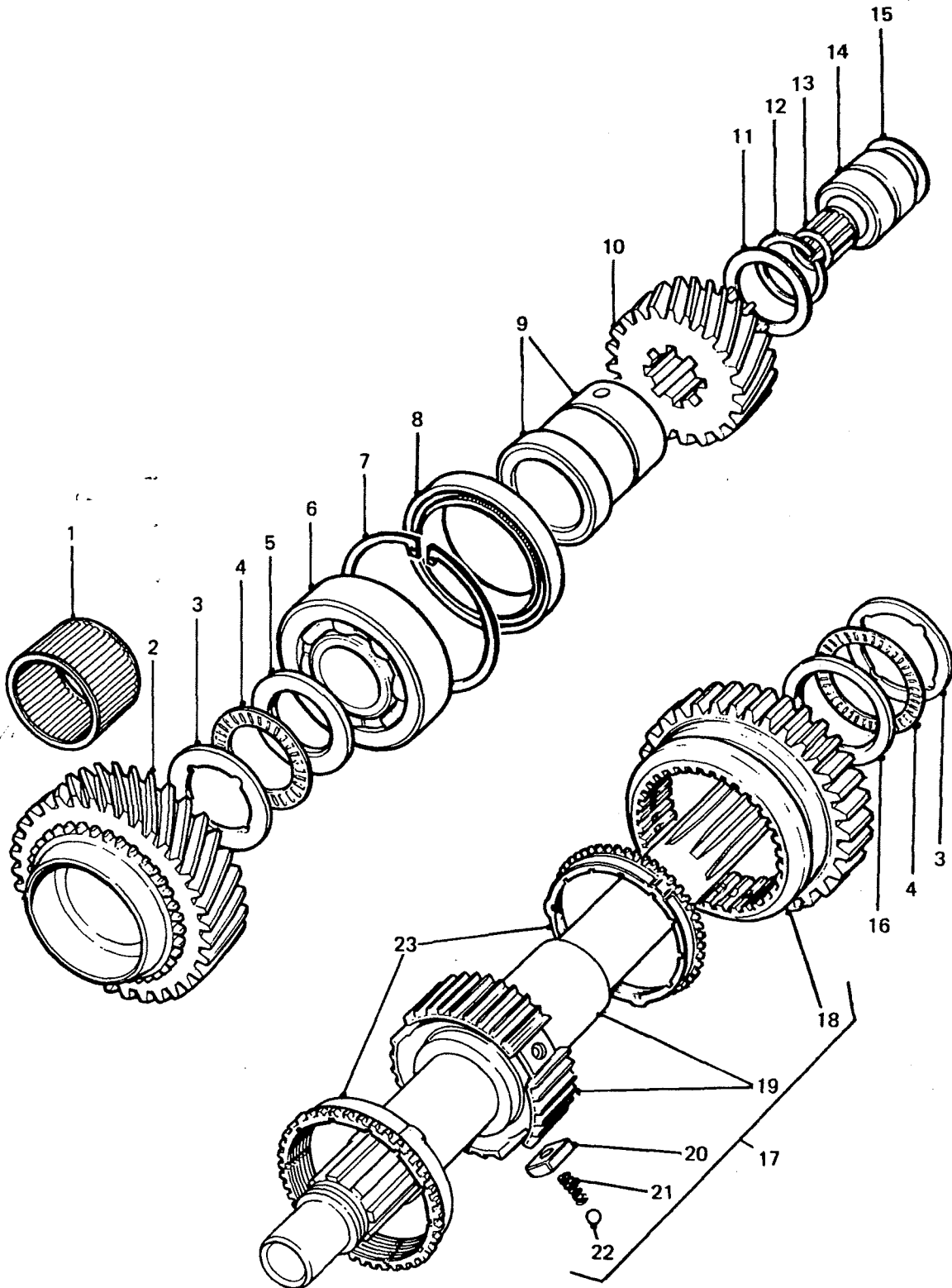
CHANGE POINT

ARN INTRODUCTION

PERENTIE LAND ROVER PARTS LIST

ITEM	PART NO.	DESCRIPTION	NSN	DERIVATIVE CODE								
				2188	2189	2190	2191	2192	2194	2195	2207 CP	
1	R594291	BEARING		1	1	1	1	1	1	1	1	1
2	FRC1344	GEAR-1ST SPEED MAINSHAFT		1	1	1	1	1	1	1	1	1
3	R571065	WASHER-THRUST-NEEDLE ROLLER		2	2	2	2	2	2	2	2	2
4	R571064	BEARING NEEDLE ROLLER		2	2	2	2	2	2	2	2	2
5	R571063	WASHER-THRUST		1	1	1	1	1	1	1	1	1
6	MJ1/1/2C3	BEARING-BALL		1	1	1	1	1	1	1	1	1
7	CCN260	CIRCLIP		1	1	1	1	1	1	1	1	1
8	R571838	SEAL-OIL		1	1	1	1	1	1	1	1	1
9	R622538	SPACER		1	1	1	1	1	1	1	1	1
10	FTC73	GEAR-TRANSFER		1	1	1	1	1	1	1	1	1
11	R593821	SHIM-2.00MM		1	1	1	1	1	1	1	1	1
11	R593820	SHIM-1.95MM		1	1	1	1	1	1	1	1	1
11	R593819	SHIM-1.90MM		1	1	1	1	1	1	1	1	1
11	R593818	SHIM-1.85MM		1	1	1	1	1	1	1	1	1
11	R593817	SHIM-1.80MM		1	1	1	1	1	1	1	1	1
11	R593816	SHIM-1.75MM		1	1	1	1	1	1	1	1	1
11	R593815	SHIM-1.70MM		1	1	1	1	1	1	1	1	1
11	R593814	SHIM-1.50MM		1	1	1	1	1	1	1	1	1
12	90571091	SNAP RING		1	1	1	1	1	1	1	1	1
13	R571187	BEARING-SPIGOT -MAINSHAFT		1	1	1	1	1	1	1	1	1
14	FRC3517	BEARING-OUTER RACE	3110-99-823-7209	1	1	1	1	1	1	1	1	1
15	R571723	WASHER-THRUST		1	1	1	1	1	1	1	1	1
16	R571930	WASHER-THRUST		1	1	1	1	1	1	1	1	1
17	RTC2150	GEAR-MAINSHAFT AND SYNCHRO ASSY (INCLUDES ITEMS 18-22)		1	1	1	1	1	1	1	1	1
18	NSS											

GROUP FEE



1st SPEED MAINSHAFT AND TRANSFER GEAR

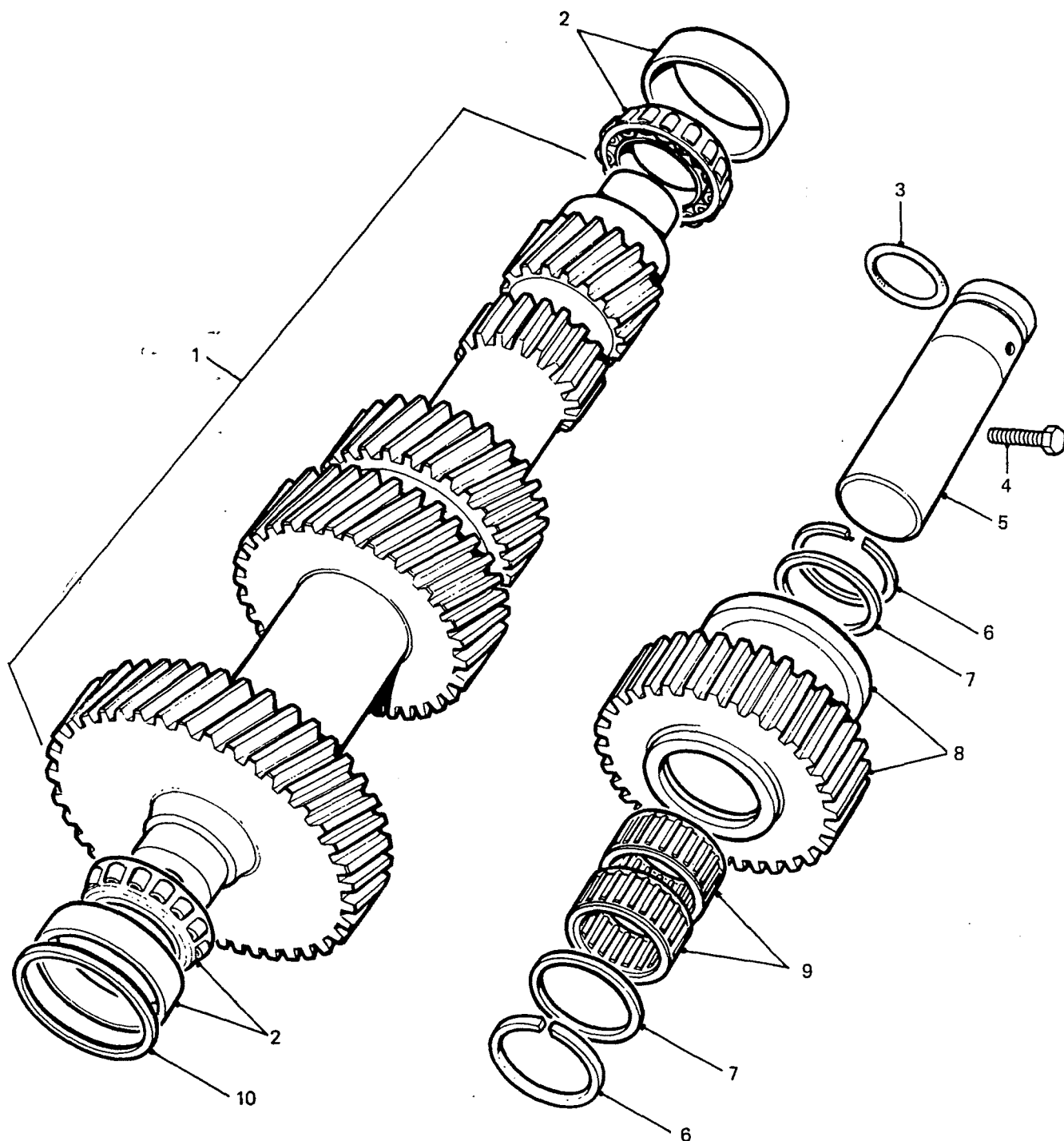
PERENTIE LAND ROVER PARTS LIST

<u>ITEM</u>	<u>FEE/1/1</u> <u>PART NO.</u>	<u>1ST SPEED MAINSHAFT AND TRANSFER GEAR</u> <u>DESCRIPTION</u>	<u>NSN</u>	<u>DERIVATIVE CODE</u>									
				<u>2188</u>	<u>2189</u>	<u>2190</u>	<u>2191</u>	<u>2192</u>	<u>2194</u>	<u>2195</u>	<u>2207</u>	<u>CP</u>	
19	NSS												
20	FRC1336	BLOCK-SLIDING		3	3	3	3	3	3	3	3	3	3
21	R503805	SPRING		3	3	3	3	3	3	3	3	3	3
22	1/4	BALL-STEEL	3110-00-100-6151	3	3	3	3	3	3	3	3	3	3
23	FRC5931	BAULK RING		2	2	2	2	2	2	2	2	2	2

CHANGE POINT

ARN INTRODUCTION

GROUP FEF

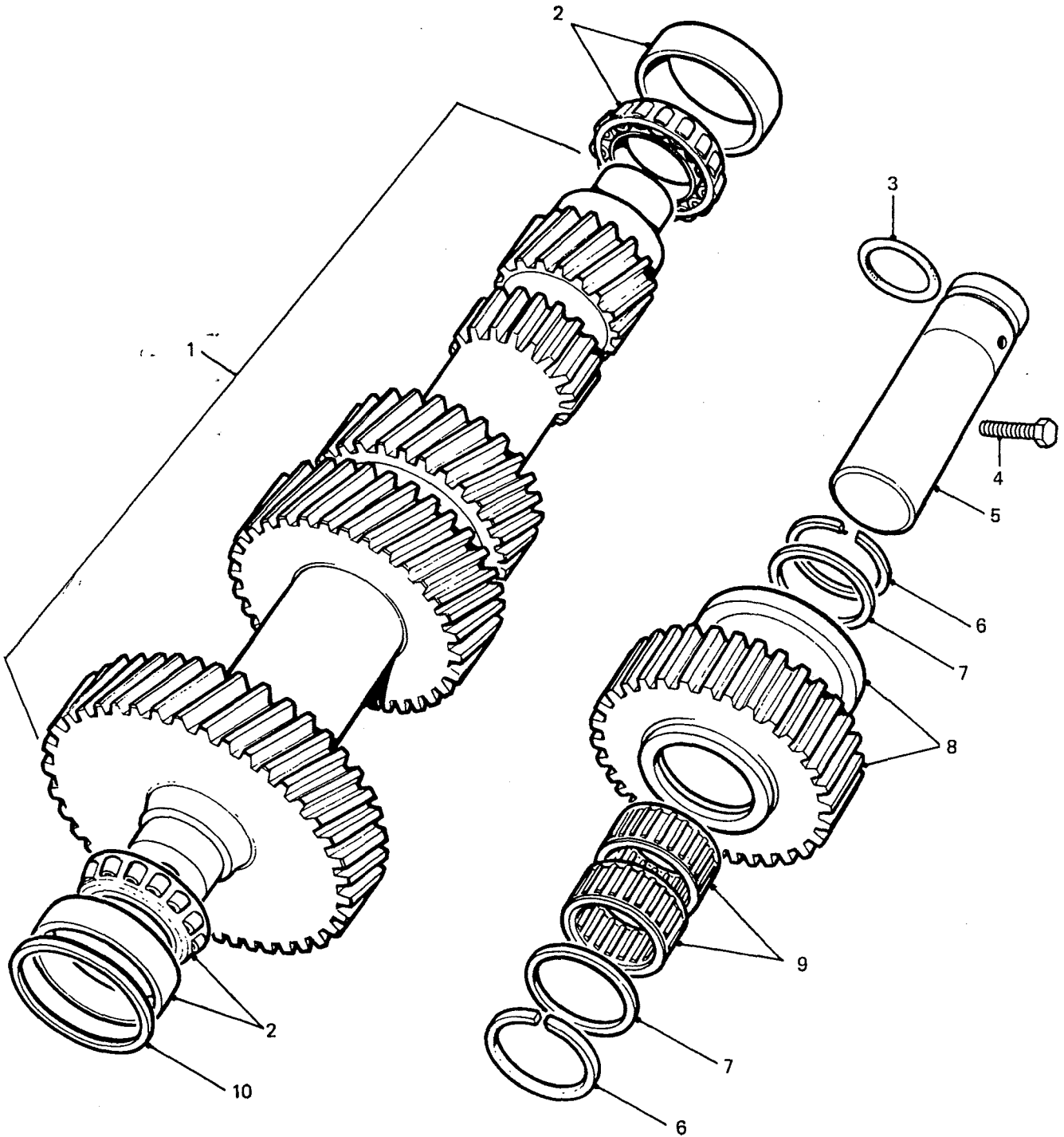


COUNTERSHAFT AND REVERSE IDLER

PERENTIE LAND ROVER PARTS LIST

ITEM	FEF/1/1 PART NO.	COUNTERSHAFT AND REVERSE IDLER DESCRIPTION	NSN	DERIVATIVE CODE							
				2188	2189	2190	2191	2192	2194	2195	2207 CP
1	FTC997	GEAR LAYSHAFT CLUSTER		1	1	1	1	1	1	1	1
2	RTC3413	BEARING ASSY-TAPER ROLLER		2	2	2	2	2	2	2	2
3	R561699	RING-SEALING		1	1	1	1	1	1	1	1
4	SH106351L	SCREW		1	1	1	1	1	1	1	1
5	FRC1743	SHAFT-REVERSE IDLER		1	1	1	1	1	1	1	1
6	R571144	CIRCLIP		2	2	2	2	2	2	2	2
7	R571885	SPACER		2	2	2	2	2	2	2	2
8	FTC998	GEAR-IDLER		1	1	1	1	1	1	1	1
9	R594389	BEARING-NEEDLE ROLLER		2	2	2	2	2	2	2	2
10	R576351	SHIM-1.57MM		1	1	1	1	1	1	1	1
10	FRC3642	SHIM-1.575MM		1	1	1	1	1	1	1	1
10	R576352	SHIM-1.60MM		1	1	1	1	1	1	1	1
10	FRC3643	SHIM1.625MM		1	1	1	1	1	1	1	1
10	R576353	SHIM-1.65MM		1	1	1	1	1	1	1	1
10	FRC3644	SHIM-1.675MM		1	1	1	1	1	1	1	1
10	R576354	SHIM-1.70MM		1	1	1	1	1	1	1	1
10	FRC3645	SHIM-1.725MM		1	1	1	1	1	1	1	1
10	R576355	SHIM-1.75MM		1	1	1	1	1	1	1	1
10	FRC3646	SHIM-1.775MM		1	1	1	1	1	1	1	1
10	R576356	SHIM-1.80MM		1	1	1	1	1	1	1	1
10	FRC3647	SHIM-1.825MM		1	1	1	1	1	1	1	1
10	R576357	SHIM-1.85MM		1	1	1	1	1	1	1	1
10	FRC3648	SHIM-1.875MM		1	1	1	1	1	1	1	1
10	R576358	SHIM-1.90MM		1	1	1	1	1	1	1	1
10	FRC3649	SHIM-1.925MM		1	1	1	1	1	1	1	1
10	R576359	SHIM-1.95MM		1	1	1	1	1	1	1	1
10	FRC3650	SHIM-1.975MM		1	1	1	1	1	1	1	1
10	R576360	SHIM-2.00MM		1	1	1	1	1	1	1	1
10	FRC3651	SHIM-2.025MM		1	1	1	1	1	1	1	1

GROUP FEF



COUNTERSHAFT AND REVERSE IDLER

PERENTIE LAND ROVER PARTS LIST

FEF/1/1

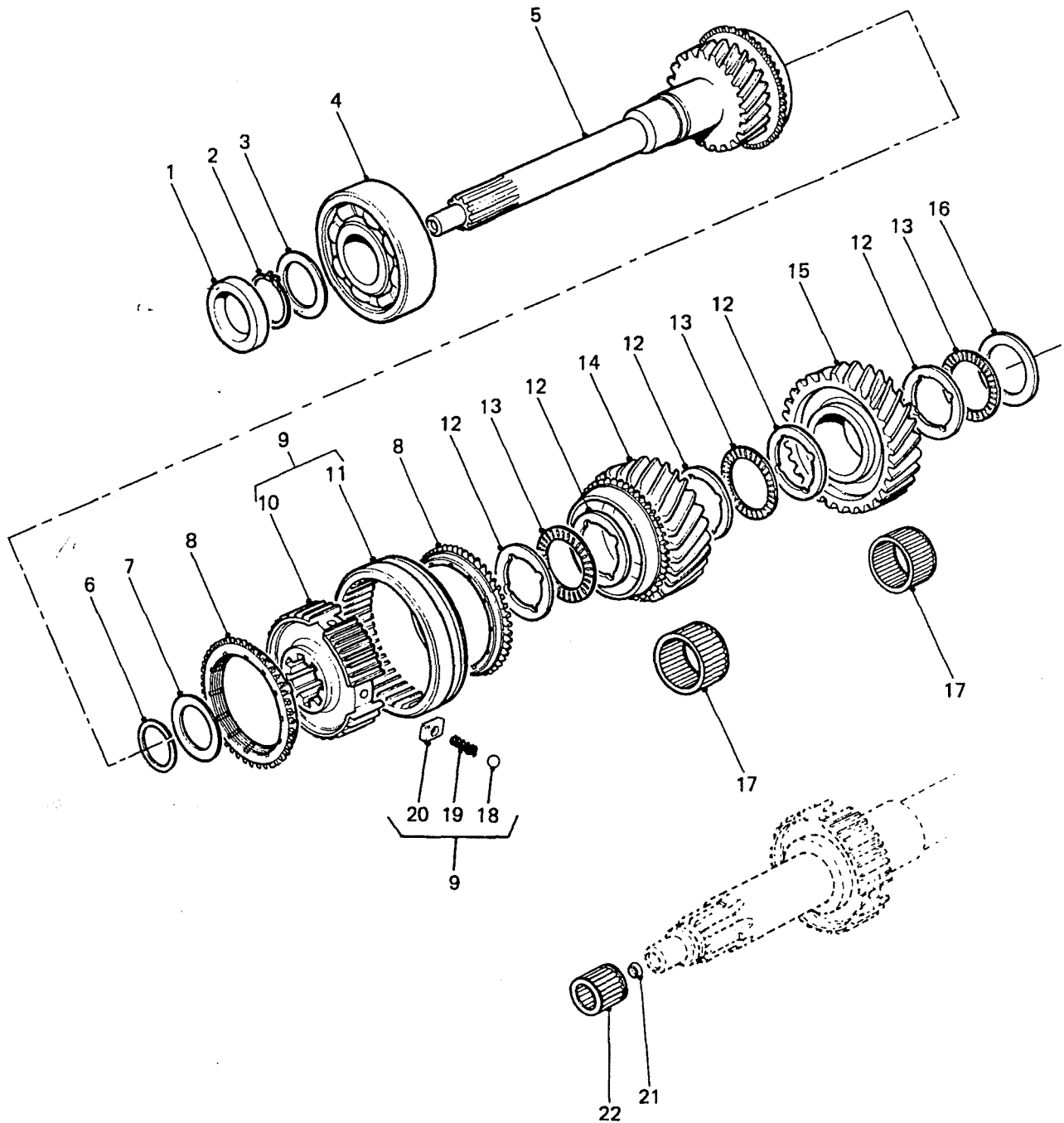
COUNTERSHAFT AND REVERSE IDLER

ITEM	PART NO.	DESCRIPTION	NSN	DERIVATIVE CODE								
				2188	2189	2190	2191	2192	2194	2195	2207	CP
10	R576361	SHIM-2.05MM		1	1	1	1	1	1	1	1	1
10	FRC3652	SHIM-2.075MM		1	1	1	1	1	1	1	1	1
10	R576362	SHIM-2.10MM		1	1	1	1	1	1	1	1	1
10	FRC3653	SHIM-2.125MM		1	1	1	1	1	1	1	1	1
10	R576363	SHIM-2.15MM		1	1	1	1	1	1	1	1	1
10	FRC3654	SHIM-2.165MM		1	1	1	1	1	1	1	1	1
10	R576364	SHIM-2.20MM		1	1	1	1	1	1	1	1	1
10	FRC3655	SHIM-2.225MM		1	1	1	1	1	1	1	1	1
10	R576365	SHIM-2.25MM		1	1	1	1	1	1	1	1	1
10	FRC3656	SHIM-2.275MM		1	1	1	1	1	1	1	1	1
10	R576366	SHIM-2.30MM		1	1	1	1	1	1	1	1	1
10	FRC3657	SHIM-2.325MM		1	1	1	1	1	1	1	1	1
10	R576367	SHIM-2.35MM		1	1	1	1	1	1	1	1	1
10	FRC3658	SHIM-2.375MM		1	1	1	1	1	1	1	1	1
10	R576368	SHIM-2.40MM		1	1	1	1	1	1	1	1	1
10	FRC3659	SHIM-2.425MM		1	1	1	1	1	1	1	1	1
10	R576369	SHIM-2.45MM		1	1	1	1	1	1	1	1	1
10	FRC3660	SHIM-2.475MM		1	1	1	1	1	1	1	1	1
10	R576370	SHIM-2.50MM		1	1	1	1	1	1	1	1	1

CHANGE POINT

ARN INTRODUCTION

GROUP FEG

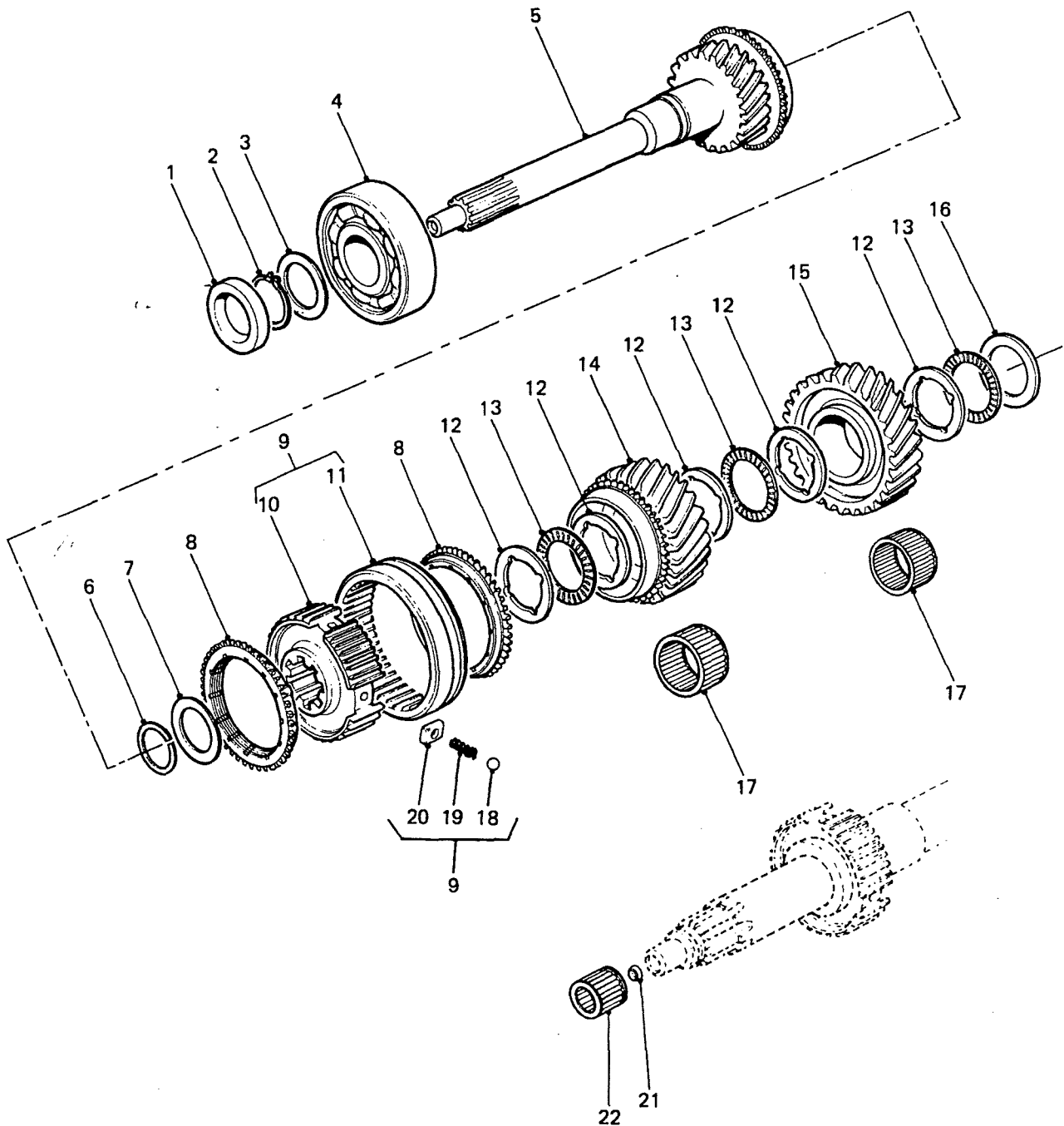


PRIMARY 2nd AND 3rd MAINSHAFT GEARS

PERENTIE LAND ROVER PARTS LIST

ITEM	PART NO.	DESCRIPTION	NSN	DERIVATIVE CODE								
				2188	2189	2190	2191	2192	2194	2195	2207 CP	
1	R571059	SEAL-OIL	5330-99-818-9097	1	1	1	1	1	1	1	1	1
2	R214795	CIRCLIP		1	1	1	1	1	1	1	1	1
3	R594024	SHIM-1.85MM		1	1	1	1	1	1	1	1	1
3	R594023	SHIM-1.90MM		1	1	1	1	1	1	1	1	1
3	R594022	SHIM-1.95MM		1	1	1	1	1	1	1	1	1
3	R594021	SHIM-2.00MM		1	1	1	1	1	1	1	1	1
3	R594020	SHIM-2.05MM		1	1	1	1	1	1	1	1	1
3	R594019	SHIM-2.10MM		1	1	1	1	1	1	1	1	1
3	R594018	SHIM-2.15MM		1	1	1	1	1	1	1	1	1
4	MJ1/1/2C3	BEARING-BALL		1	1	1	1	1	1	1	1	1
5	FRC1339	PINION-PRIMARY		1	1	1	1	1	1	1	1	1
6	R571090	SNAP RING		1	1	1	1	1	1	1	1	1
7	90571451	SHIM-1.85MM		1	1	1	1	1	1	1	1	1
7	R571452	SHIM-2.00MM		1	1	1	1	1	1	1	1	1
7	R571453	SHIM-2.15MM		1	1	1	1	1	1	1	1	1
7	R571454	SHIM-2.30MM		1	1	1	1	1	1	1	1	1
7	R571455	SHIM-2.45MM		1	1	1	1	1	1	1	1	1
8	FRC5931	BAULK RING		2	2	2	2	2	2	2	2	2
9	RTC2149	SYNCHRO ASSY-3RD/4TH GEAR (INCLUDES ITEMS 10,11,18-20)		1	1	1	1	1	1	1	1	1
10	NSS											
11	NSS											
12	R571066	WASHER-THRUST		5	5	5	5	5	5	5	5	5
13	R571067	BEARING-THRUST		3	3	3	3	3	3	3	3	3
14	FRC1185	GEAR 3RD SPEED		1	1	1	1	1	1	1	1	1
15	FRC1343	GEAR-2ND SPEED		1	1	1	1	1	1	1	1	1
16	R571931	WASHER-THRUST		1	1	1	1	1	1	1	1	1
17	R594292	BEARING-ROLLER		2	2	2	2	2	2	2	2	2
18	1/4	BALL-STEEL	3110-00-100-6151	3	3	3	3	3	3	3	3	3

GROUP FEG



PRIMARY 2nd AND 3rd MAINSHAFT GEARS

PERENTIE LAND ROVER PARTS LIST

FEG/1/1

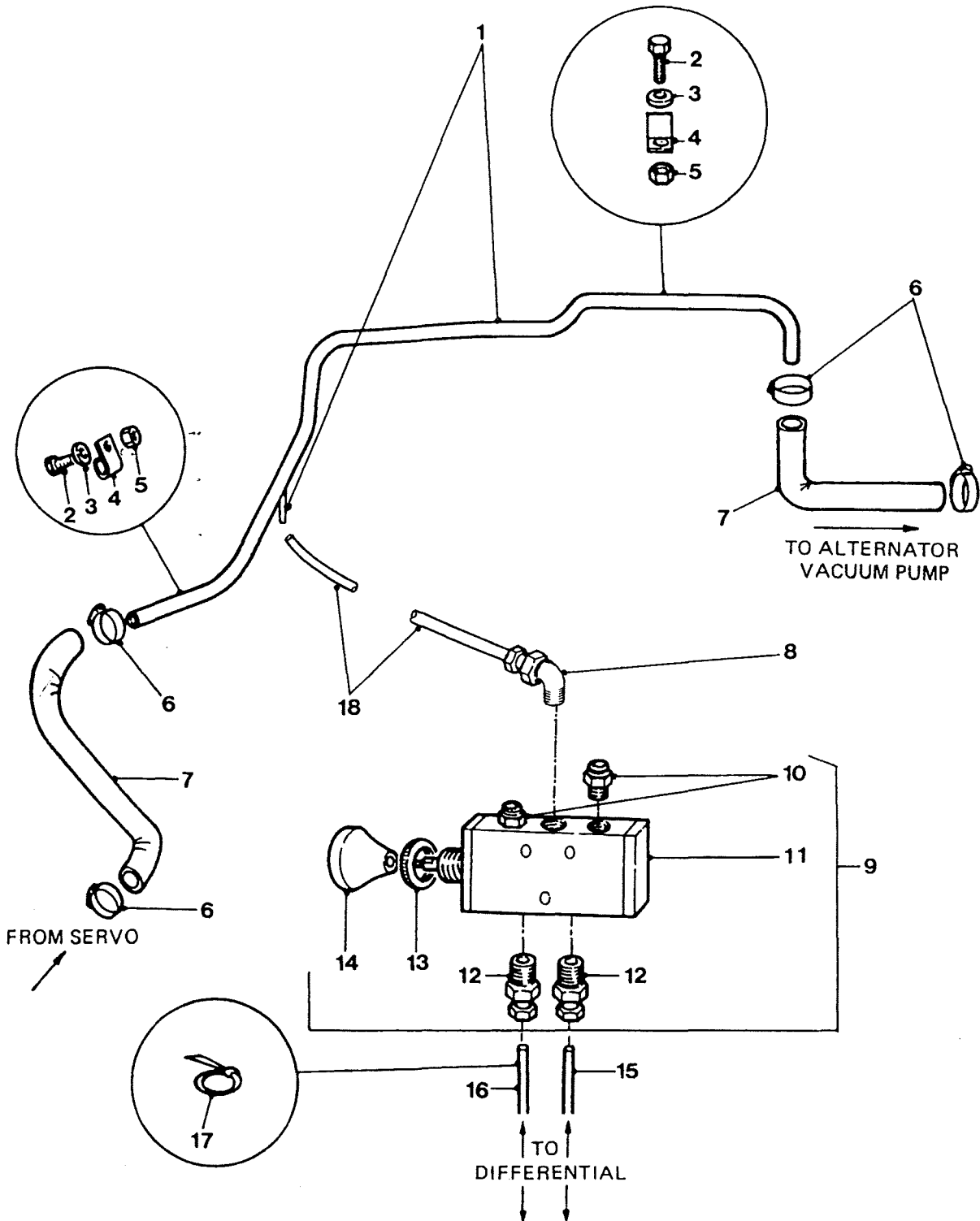
PRIMARY 2ND AND 3RD MAINSHAFT GEARS

<u>ITEM</u>	<u>PART NO.</u>	<u>DESCRIPTION</u>	<u>NSN</u>	<u>DERIVATIVE CODE</u>								
				<u>2188</u>	<u>2189</u>	<u>2190</u>	<u>2191</u>	<u>2192</u>	<u>2194</u>	<u>2195</u>	<u>2207</u>	<u>CP</u>
19	R503805	SPRING		3	3	3	3	3	3	3	3	
20	FRC1337	PAD		3	3	3	3	3	3	3	3	
21	R571142	SEAL-OIL		1	1	1	1	1	1	1	1	
22	R571062	BEARING-NEEDLE ROLLER-MAINSHAFT		1	1	1	1	1	1	1	1	

CHANGE POINT

ARN INTRODUCTION

GROUP GE



**DIFFERENTIAL LOCK CONTROL VALVE
AND VACUUM LINES**

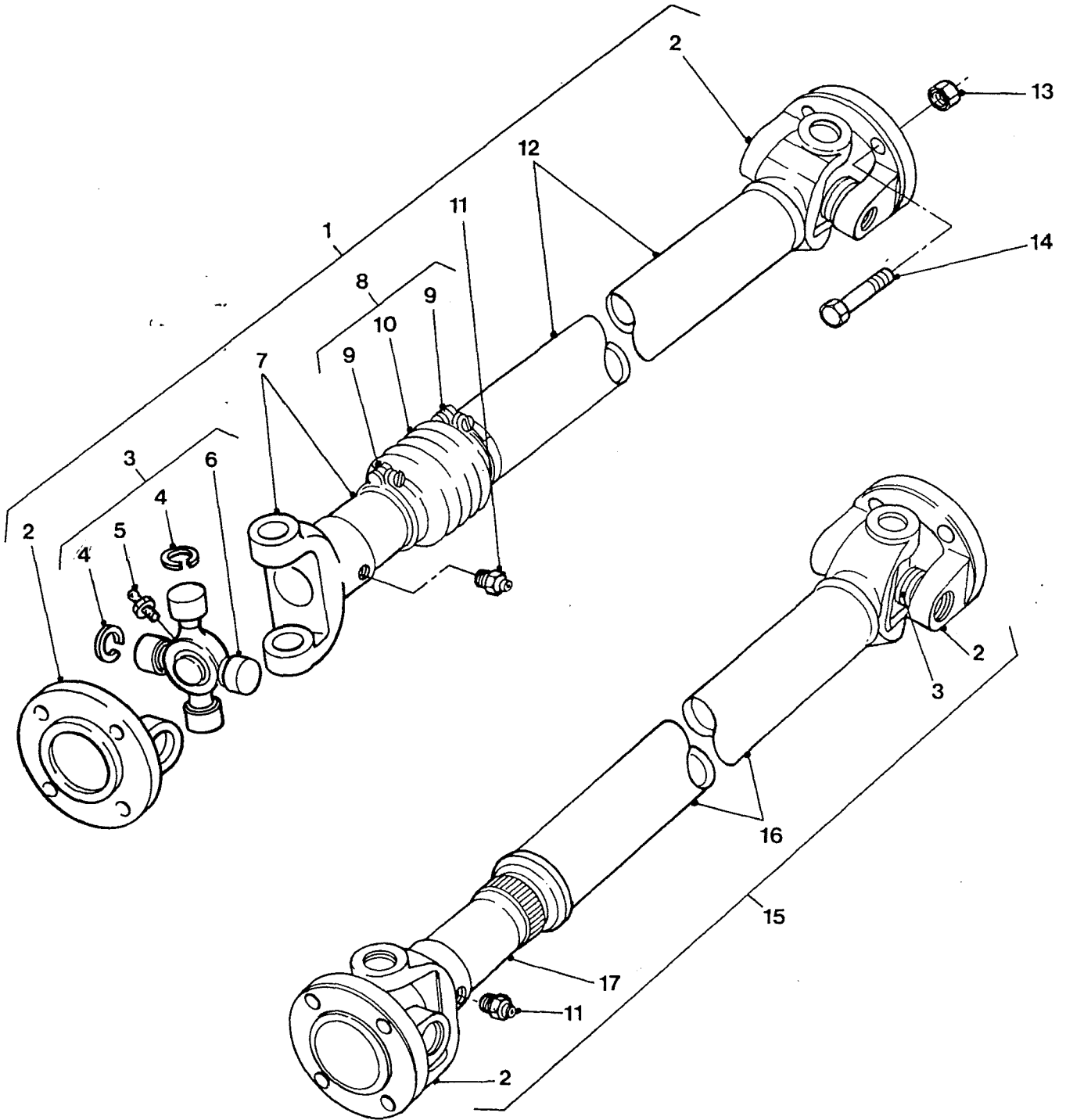
PERENTIE LAND ROVER PARTS LIST

ITEM	GE /1/1 PART NO.	DIFFERENTIAL LOCK CONTROL VALVE AND VACUUM LINES DESCRIPTION	NSN	DERIVATIVE CODE							
				2188	2189	2190	2191	2192	2194	2195	2207 CP
1	AYG2467	PIPE VACUUM		1	1	1	1	1	1	1	1
2	FS106161	SCREW	5305-99-122-5360	3	3	3	3	3	3	3	3
3	WA106041L	WASHER-PLAIN	5310-66-098-4440	3	3	3	3	3	3	3	3
4	MYH2697	CLIP	5340-66-128-4546	3	3	3	3	3	3	3	3
5	NY106041L	NUT-NYLOC	5310-99-138-8423	3	3	3	3	3	3	3	3
6	CJ600124	CLAMP-HOSE	4730-66-012-6544	4	4	4	4	4	4	4	4
7	MYH5295/500	HOSE-VACUUM-SERVO TO VACUUM PIPE	4720-66-128-4515	1	1	1	1	1	1	1	1
	MYH5256/400	SPIREWAP-HOSE-SERVO TO VACUUM PIPE		1	1	1	1	1	1	1	1
7	MYH5295/170	HOSE-VACUUM-PIPE TO VACUUM PUMP	4720-66-128-4515	1	1	1	1	1	1	1	1
8	HYL9923	ELBOW-VALVE	4730-66-128-5935	1	1	1	1	1	1	1	1
9	BYG2049	VALVE-VACUUM CONTROL	4820-66-128-4493	1	1	1	1	1	1	1	1
10	HYL8672	SILENCER-VALVE		2	2	2	2	2	2	2	2
11	NSS										
12	HYL8671	ADAPTER	4730-66-128-4506	2	2	2	2	2	2	2	2
13	HYG2134	NUT RING	5310-66-128-4548	1	1	1	1	1	1	1	1
14	HYL8708	KNOB-VALVE	5355-66-128-4547	1	1	1	1	1	1	1	1
15	MYH5309	PIPE-NYLON-RED	4720-66-128-4549	1	1	1	1	1	1	1	1
16	MYH5310	PIPE-NYLON-WHITE	4720-66-128-4550	1	1	1	1	1	1	1	1
17	MYH1968	NYLON TIE	5340-66-128-4558	2	2	2	2	2	2	2	2
18	MYH5257/1800	PIPE-NYLON-BLACK	4720-66-128-4551	1	1	1	1	1	1	1	1
	HYL8627	KIT-REPAIR CONTROL VALVE	4820-66-128-4494	1	1	1	1	1	1	1	1

CHANGE POINT


ARN INTRODUCTION

GROUP HA



PROPELLER SHAFTS

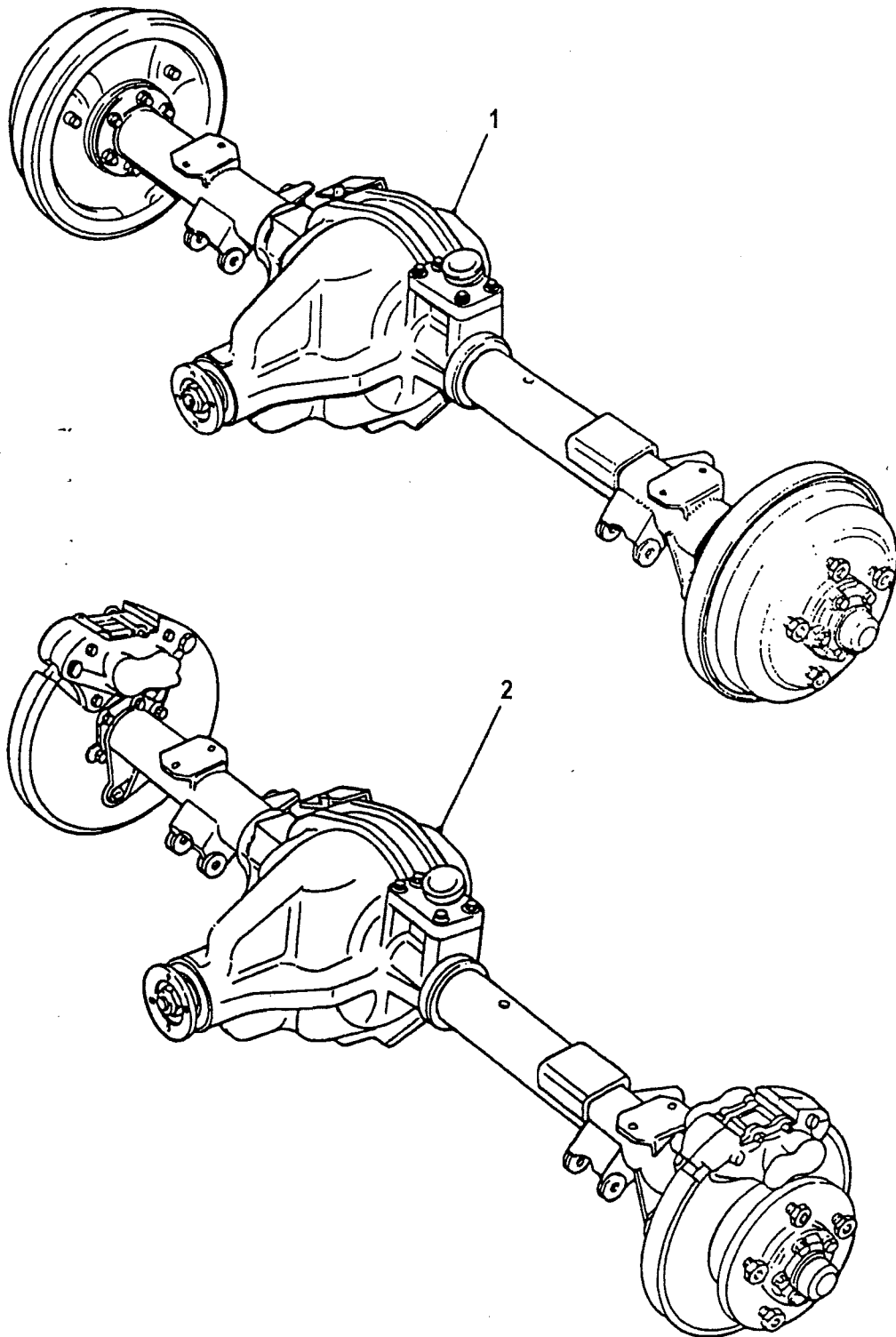
PERENTIE LAND ROVER PARTS LIST

ITEM	HA /1/1 PART NO.	PROPELLER SHAFTS DESCRIPTION	NSN	DERIVATIVE CODE								
				2188	2189	2190	2191	2192	2194	2195	2207	CP
1	AYG4281	PROPSHAFT-FRONT	2520-66-128-4256	1	1	1	1	1	1	1	1	1
2	HYL8667	FLANGE YOKE		4	4	4	4	4	4	4	4	4
3	RTC3346	UNIVERSAL JOINT (INCL ITEMS 4 TO 6)	2520-66-128-5988	4	4	4	4	4	4	4	4	4
4	R242522	CIRCLIP		8	8	8	8	8	8	8	8	8
5	R549229	NIPPLE	2520-99-836-8954	4	4	4	4	4	4	4	4	4
6	5/252X	UNIVERSAL JOINT	2520-66-128-4495	4	4	4	4	4	4	4	4	4
7	NSS											
8	AYG4202	GAITER	2520-66-128-4496	1	1	1	1	1	1	1	1	1
9	GAA387	HOSE CLAMP 38X55	4730-66-128-4552	2	2	2	2	2	2	2	2	2
10	HYL8701	BOOT		1	1	1	1	1	1	1	1	1
11	HYL8709	GREASE NIPPLE	4730-66-128-4553	2	2	2	2	2	2	2	2	2
12	NSS											
13	NZ606041L	NUT-NYLOC	5310-99-941-9139	8	8	8	8	8	8	8	8	8
14	R509045P 	BOLT	5306-99-123-3720	8	8	8	8	8	8	8	8	8
15	AYG7332	PROPSHAFT-REAR	2520-66-128-4249	1	1	1	1	1	1	1	1	1
16	NSS											
17	NSS											
	NY606041L	NUT-NYLOC-PROPSHAFTS TO G/BOX	5310-99-943-4299	8	8	8	8	8	8	8	8	8

CHANGE POINT

ARN INTRODUCTION

GROUP J



REAR AXLE ASSEMBLY

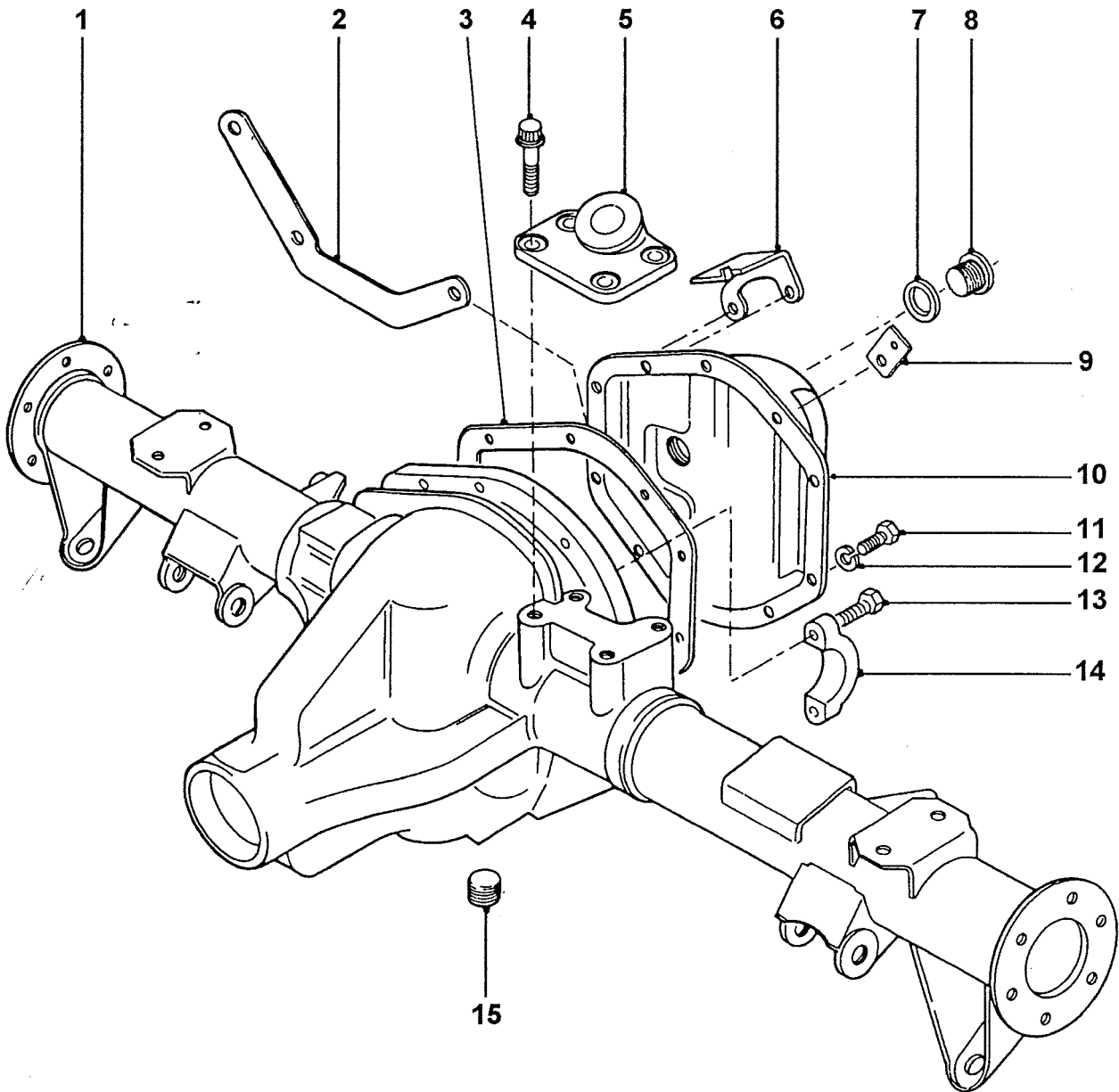
PERENTIE LAND ROVER PARTS LIST

J /1/1		REAR AXLE ASSEMBLY			DERIVATIVE CODE							
ITEM	PART NO.	DESCRIPTION	NSN	2188	2189	2190	2191	2192	2194	2195	2207	CP
1	FTC2352	AXLE ASSY-REAR-DRUM BRAKES	2520-99-324-9984	1	1	1	1	1	1	1		
1	AYG7444	AXLE ASSY-REAR-DISC BRAKES	2520-66-128-6134									1
	FTC2211	HOUSING-AXLE-REAR-DRUM BRAKES		1	1	1	1	1	1	1		
	FTC2212	HOUSING-AXLE-REAR-DISC BRAKES										1

CHANGE POINT

ARN INTRODUCTION

GROUP JA

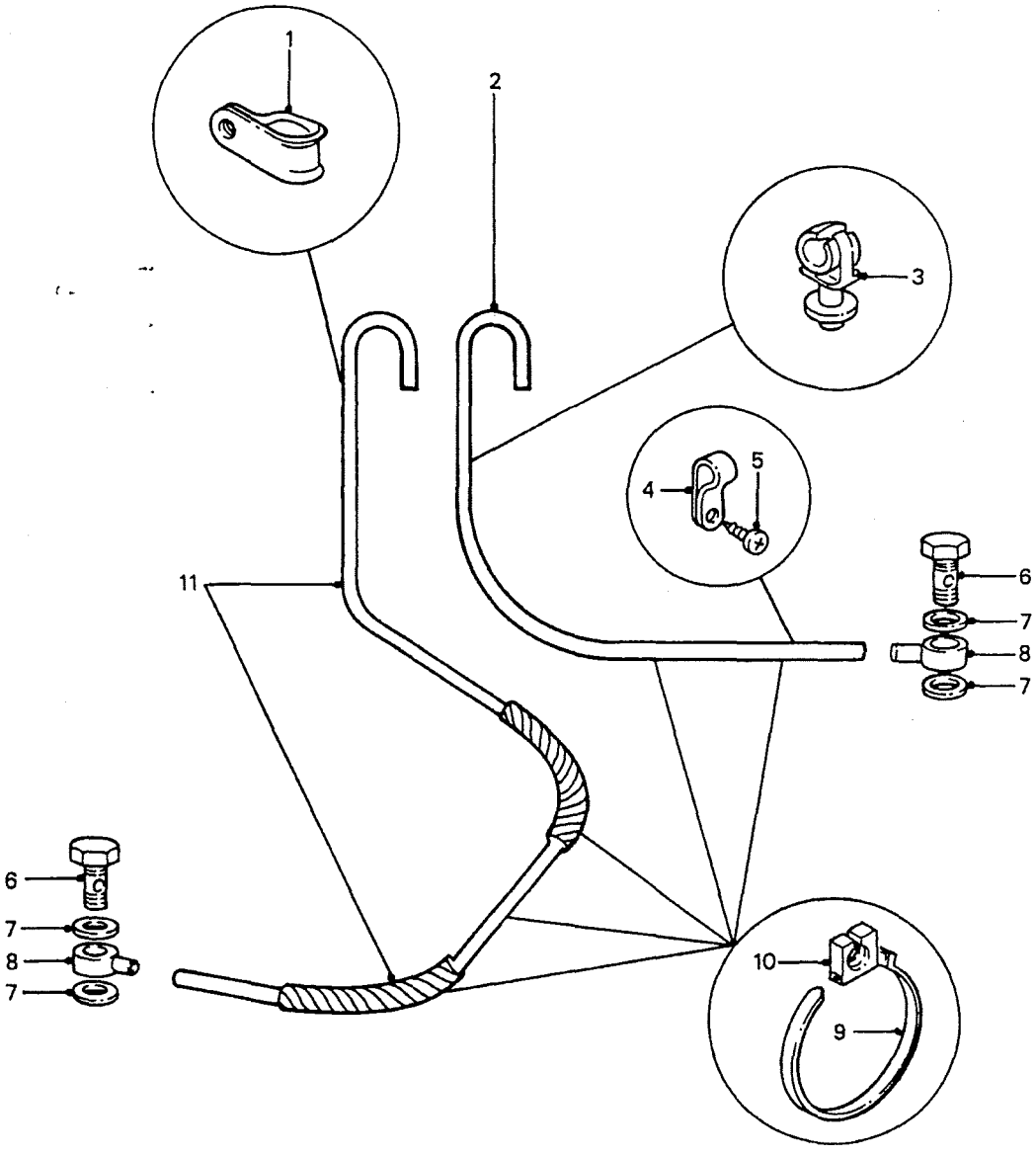


REAR AXLE HOUSING

PERENTIE LAND ROVER PARTS LIST

<u>ITEM</u>	<u>J A /1/1</u> <u>PART NO.</u>	<u>REAR AXLE HOUSING</u> <u>DESCRIPTION</u>	<u>NSN</u>	<u>DERIVATIVE CODE</u>								
				<u>2188</u>	<u>2189</u>	<u>2190</u>	<u>2191</u>	<u>2192</u>	<u>2194</u>	<u>2195</u>	<u>2207</u>	<u>CP</u>
1	FTC2211	HOUSING-AXLE-REAR -DRUM BRAKES		1	1	1	1	1	1	1		
1	FTC2212	HOUSING-AXLE-REAR -DISC BRAKES-RFSV ONLY										1
2	RTC845	PLATE		1	1	1	1	1	1	1	1	1
3	RTC1139	GASKET-COVER-REAR	5330-99-825-5904	1	1	1	1	1	1	1	1	1
4	AEU2508	BOLT-SPECIAL	5306-99-720-9990	4	4	4	4	4	4	4	4	4
5	NRC9607	BRACKET-BALL-JOINT	2520-66-128-4507	1	1	1	1	1	1	1	1	1
6	NRC8024	BRACKET		1	1	1	1	1	1	1	1	1
7	FRC4835	GASKET-FILLER PLUG	5330-99-849-8732	1	1	1	1	1	1	1	1	1
8	R533358	PLUG-FILLER	4730-99-874-0243	1	1	1	1	1	1	1	1	1
9	NRC5346	PLATE		1	1	1	1	1	1	1	1	1
10	RTC844	COVER	2520-99-828-4786	1	1	1	1	1	1	1	1	1
11	R607173	BOLT	5305-66-098-4282	10	10	10	10	10	10	10	10	10
12	AAU2825	LOCKWASHER	5310-99-135-9303	10	10	10	10	10	10	10	10	10
13	R607163	BOLT		4	4	4	4	4	4	4	4	4
14	NSS											
15	R608246	PLUG-DRAIN	4730-99-823-7480	1	1	1	1	1	1	1	1	1
<u>CHANGE POINT</u>		<u>ARN INTRODUCTION</u>										

GROUP JAB



FRONT AND REAR AXLE BREATHERS

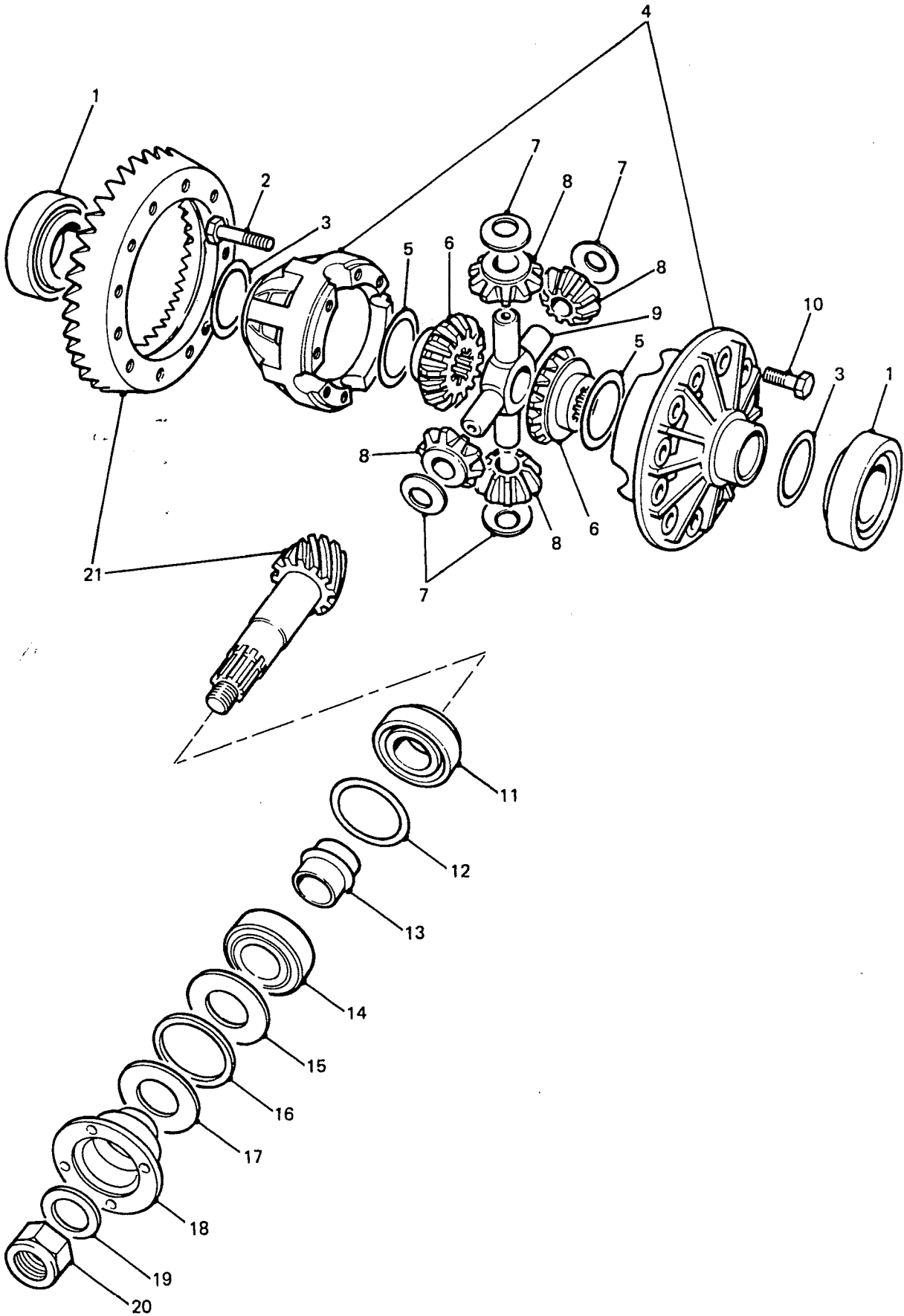
PERENTIE LAND ROVER PARTS LIST

<u>ITEM</u>	<u>PART NO.</u>	<u>DESCRIPTION</u>	<u>NSN</u>	<u>DERIVATIVE CODE</u>							<u>CP</u>
				<u>2188</u>	<u>2189</u>	<u>2190</u>	<u>2191</u>	<u>2192</u>	<u>2194</u>	<u>2195</u>	
1	R622324	CLIP	5340-66-106-1527	1	1	1	1	1	1	1	1
2	FTC2176	BREATHER-REAR AXLE-EXCEPT RFSV	4720-66-128-4554	1	1	1	1	1	1	1	
2	FTC2177	BREATHER-REAR AXLE-RFSV ONLY	2520-99-739-7630								1
	BYG7002	BREATHER EXTENSION PIPE-REAR AXLE		1	1	1	1	1	1	1	
3	R79123	CLIP	2910-99-825-6359	1	1	1	1	1	1	1	1
4	ATU1017L	CLIP	5340-66-128-4555	1	1	1	1	1	1	1	1
5	R79004	SCREW-TAPTITE	5305-99-142-7620	1	1	1	1	1	1	1	1
6	R595478	BANJO BOLT	4730-99-137-6379	2	2	2	2	2	2	2	2
7	R599575	WASHER	4930-99-842-3988	4	4	4	4	4	4	4	4
8	NSS										
9	NRC9246	CLIP		5	5	5	5	5	5	5	5
10	R568680	CABLE-TIE-BREATHER		6	6	6	6	6	6	6	6
11	FTC2175	BREATHER-FRONT AXLE	4720-66-128-4556	1	1	1	1	1	1	1	1

CHANGE POINT


ARN INTRODUCTION

GROUP JB



REAR DIFFERENTIAL

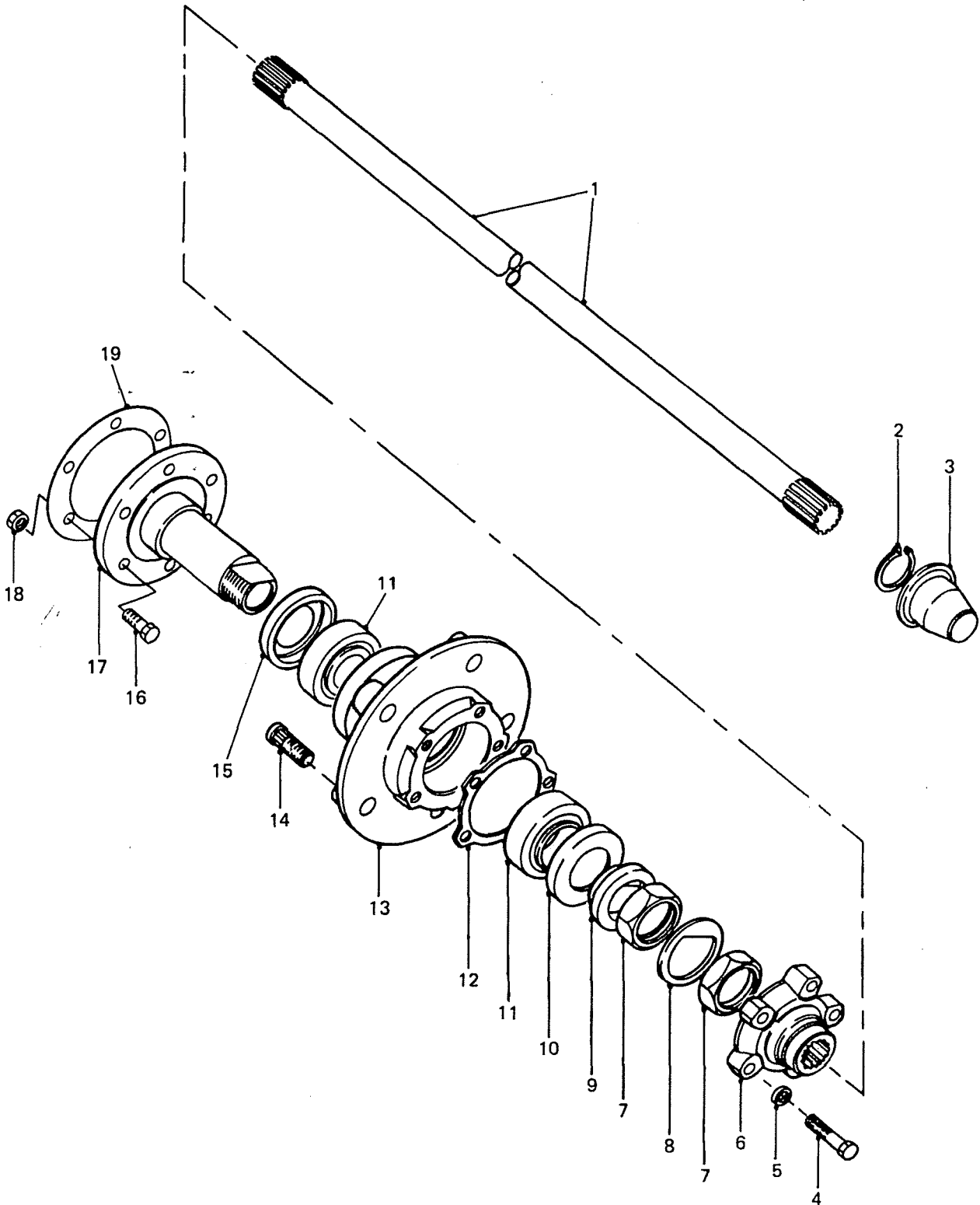
PERENTIE LAND ROVER PARTS LIST

ITEM	PART NO.	DESCRIPTION	NSN	DERIVATIVE CODE								
				2188	2189	2190	2191	2192	2194	2195	2207	CP
1	R607187	BEARING-DIFFERENTIAL		2	2	2	2	2	2	2	2	2
2	R607165	BOLT		8	8	8	8	8	8	8	8	8
3	R607191	SHIM-0.030IN		1	1	1	1	1	1	1	1	1
3	R607190	SHIM-0.010IN		1	1	1	1	1	1	1	1	1
3	R607189	SHIM-0.005IN		1	1	1	1	1	1	1	1	1
3	R607188	SHIM-0.003IN		1	1	1	1	1	1	1	1	1
4	AEU1489	CASE-DIFFERENTIAL		1	1	1	1	1	1	1	1	1
5	R607169	WASHER-THRUST		2	2	2	2	2	2	2	2	2
6	NSS											
7	R607168	WASHER-THRUST		4	4	4	4	4	4	4	4	4
8	R607167	WHEEL-DIFFERENTIAL		4	4	4	4	4	4	4	4	4
9	90607170	CROSS SHAFT		1	1	1	1	1	1	1	1	1
10	RTC773	BOLT		12	12	12	12	12	12	12	12	12
11	R607180	BEARING	3110-99-821-8449	1	1	1	1	1	1	1	1	1
12	R607179	SHIM-0.010IN		1	1	1	1	1	1	1	1	1
12	R607178	SHIM-0.005IN		1	1	1	1	1	1	1	1	1
12	R607177	SHIM-0.003IN		1	1	1	1	1	1	1	1	1
13	R607197	SPACER		1	1	1	1	1	1	1	1	1
14	R607181	BEARING-PINION		1	1	1	1	1	1	1	1	1
15	R607182	THROWER-OIL	2520-99-821-8426	1	1	1	1	1	1	1	1	1
16	R607183	GASKET	5330-99-822-6306	1	1	1	1	1	1	1	1	1
17	AEU2515	OIL SEAL	5330-99-784-2678	1	1	1	1	1	1	1	1	1
18	R607185	 FLANGE-DRIVE		1	1	1	1	1	1	1	1	1
19	R607357	WASHER	5310-99-821-8425	1	1	1	1	1	1	1	1	1
20	90608545	LOCKNUT	5310-99-821-8424	1	1	1	1	1	1	1	1	1
21	AEU1488	CROWN WHEEL & PINION		1	1	1	1	1	1	1	1	1
	RTC4488	KIT-GEAR-DIFFERENTIAL(I NCLUDES ITEMS 5-8)		1	1	1	1	1	1	1	1	1

CHANGE POINT



ARN INTRODUCTION

GROUP JC



REAR AXLE SHAFT AND HUB

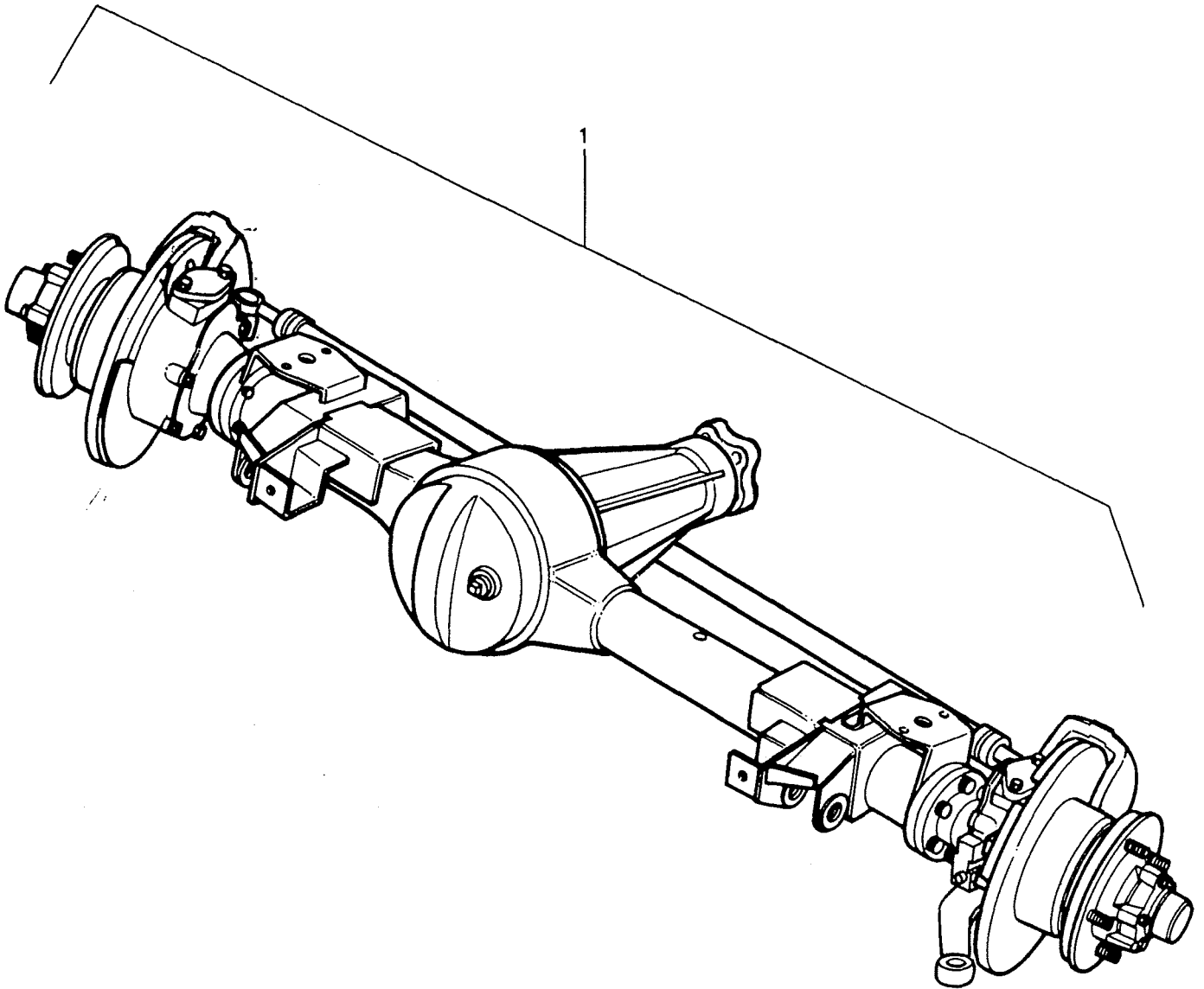
PERENTIE LAND ROVER PARTS LIST

ITEM	PART NO.	DESCRIPTION	NSN	DERIVATIVE CODE								
				2188	2189	2190	2191	2192	2194	2195	2207	CP
1	FRC2455	AXLESHAFT-LH	2530-99-797-4661	1	1	1	1	1	1	1	1	1
1	FRC2454	AXLESHAFT-RH	2530-99-797-4660	1	1	1	1	1	1	1	1	1
2	R549473	CIRCLIP	5365-99-809-6586	2	2	2	2	2	2	2	2	2
3	FRC4377	HUB CAP	2530-99-792-2647	2	2	2	2	2	2	2	2	2
4	AFU1181	BOLT	5306-99-734-5822	10	10	10	10	10	10	10	10	10
5	WL110001L	WASHER-LOCK	5310-99-138-9228	10	10	10	10	10	10	10	10	10
6	FRC5806	DRIVING MEMBER-HUB	2530-99-797-4659	2	2	2	2	2	2	2	2	2
7	FRC8700	LOCK NUT	5310-99-849-8887	4	4	4	4	4	4	4	4	4
8	FRC8002	LOCKER	5310-99-722-1722	2	2	2	2	2	2	2	2	2
9	FRC8227	SPACER	5365-99-722-1724	2	2	2	2	2	2	2	2	2
10	FRC8222	SEAL-OIL-HUB	5330-99-722-1723	2	2	2	2	2	2	2	2	2
11	RTC3429	BEARING ASSY	3110-00-789-1842	4	4	4	4	4	4	4	4	4
12	FRC3988	 JOINT WASHER	5330-99-797-4662	2	2	2	2	2	2	2	2	2
13	AYG7350	HUB AND STUD (INCL ITEM 14)	2530-66-128-6135									2
13	FRC8555	HUB AND STUD (INCL ITEM14)	2530-99-722-1721	2	2	2	2	2	2	2	2	
14	FRC6137	STUD-HUB	5306-99-797-4658	10	10	10	10	10	10	10	10	10
15	FTC4785	SEAL-OIL-HUB	5330-99-839-5349	2	2	2	2	2	2	2	2	2
16	BX110111L	BOLT										4
16	FRC7257	BOLT		12	12	12	12	12	12	12	12	8
17	FRC8540	STUB AXLE		2	2	2	2	2	2	2	2	2
18	NY110041L	NUT-NYLOC	5310-99-122-5497	12	12	12	12	12	12	12	12	12
19	FTC3649	 JOINT WASHER	5310-99-733-3093	2	2	2	2	2	2	2	2	2

CHANGE POINT

ARN INTRODUCTION

GROUP K



FRONT AXLE ASSEMBLY

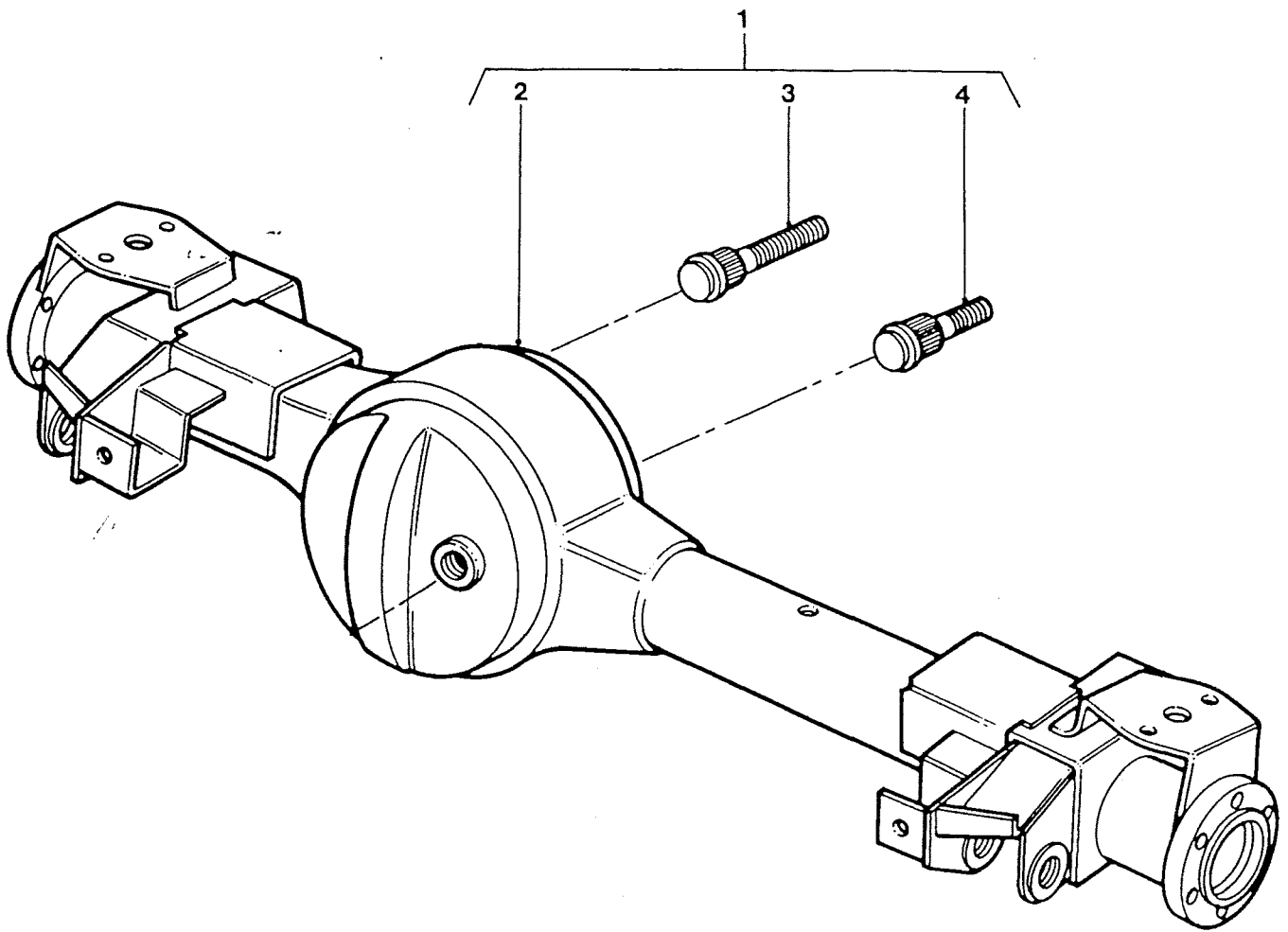
PERENTIE LAND ROVER PARTS LIST

<u>ITEM</u>	<u>PART NO.</u>	<u>DESCRIPTION</u>	<u>NSN</u>	<u>DERIVATIVE CODE</u>								
				<u>2188</u>	<u>2189</u>	<u>2190</u>	<u>2191</u>	<u>2192</u>	<u>2194</u>	<u>2195</u>	<u>2207</u>	<u>CP</u>
1	AYG4182	AXLE ASSY-FRONT -EXCEPT RFSV	2520-66-128-4250	1	1	1	1	1	1	1		
1	AYG4318	AXLE ASSY-FRONT -RFSV ONLY	2520-66-128-6136									1

CHANGE POINT

ARN INTRODUCTION

GROUP KA



FRONT AXLE HOUSING

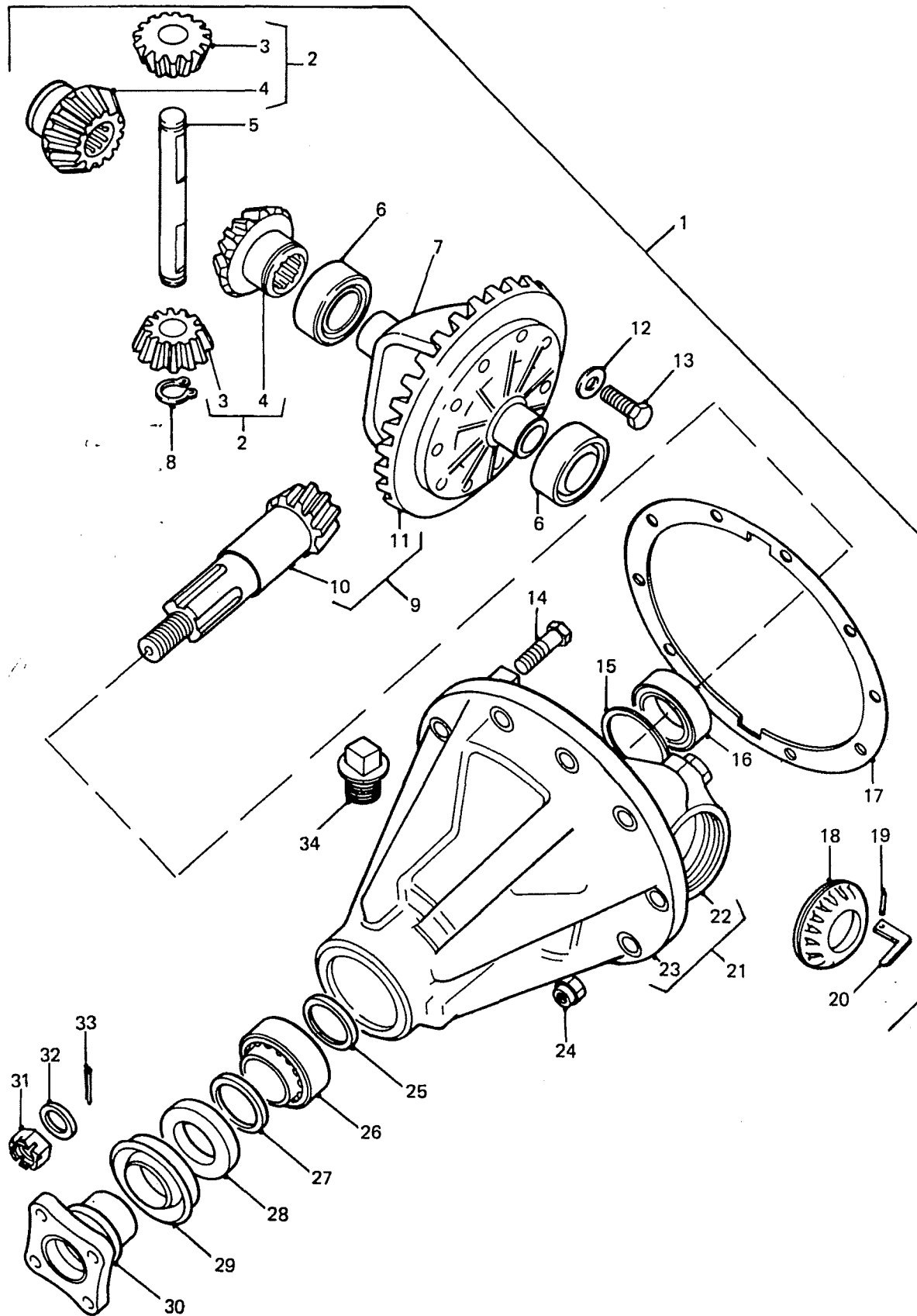
PERENTIE LAND ROVER PARTS LIST

<u>ITEM</u>	<u>PART NO.</u>	<u>DESCRIPTION</u>	<u>NSN</u>	<u>DERIVATIVE CODE</u>								
				<u>2188</u>	<u>2189</u>	<u>2190</u>	<u>2191</u>	<u>2192</u>	<u>2194</u>	<u>2195</u>	<u>2207</u>	<u>CP</u>
1	FRC4307	HOUSING-FRONT AXLE-EXCEPT RFSV (INCL ITEMS 2 TO 6)		1	1	1	1	1	1	1		
1	AYG4319	HOUSING-FRONT AXLE-RFSV ONLY (INCL ITEMS 2 TO 6)										1
2	NSS											
3	R561196	STUD	2530-99-810-2125	6	6	6	6	6	6	6	6	6
4	R561195	STUD	2530-99-806-7851	4	4	4	4	4	4	4	4	4
5	R608246	PLUG	4730-99-823-7480	2	2	2	2	2	2	2	2	2

CHANGE POINT

ARN INTRODUCTION

GROUP KB /1

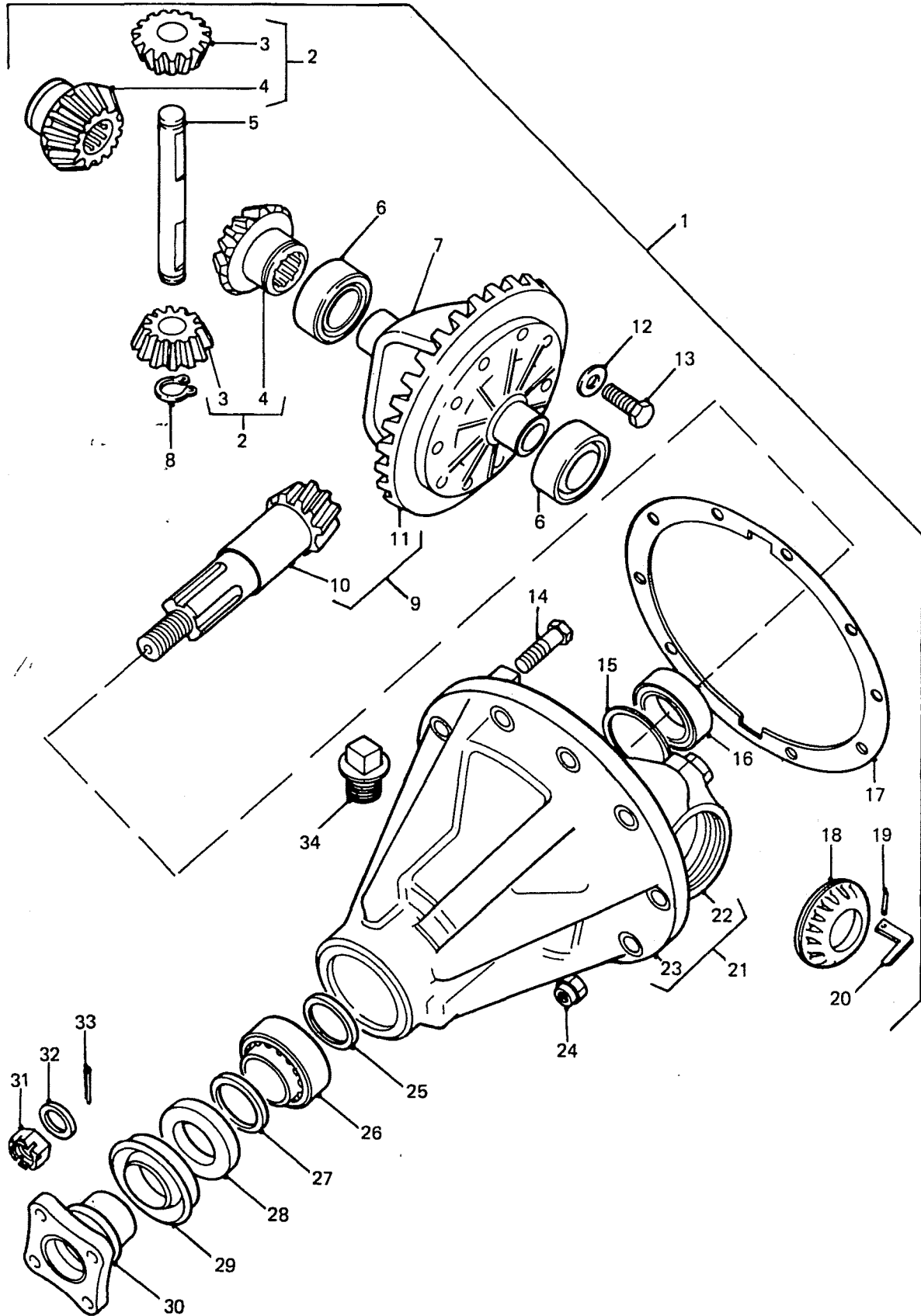


FRONT DIFFERENTIAL

PERENTIE LAND ROVER PARTS LIST

ITEM	KB /1/1 PART NO.	FRONT DIFFERENTIAL - EXCEPT RFSV DESCRIPTION	NSN	DERIVATIVE CODE							CP
				2188	2189	2190	2191	2192	2194	2195	
1	FTC2750	FRONT DIFFERENTIAL ASSY-3.54:1 RATIO (INCL ITEMS 2,5 TO 9,12)	2520-99-373-9606	1	1	1	1	1	1	1	
2	STC851	GEAR KIT-DIFFERENTIAL (INCL ITEMS 3 & 4)		1	1	1	1	1	1	1	
3	NSS										
4	NSS										
5	R599945	SHAFT-CROSS		1	1	1	1	1	1	1	
6	RTC2726	BEARING-C/WHEEL		2	2	2	2	2	2	2	
7	FRC2933	CASE-DIFFERENTIAL		1	1	1	1	1	1	1	
8	CCN110	CIRCLIP		2	2	2	2	2	2	2	
9	FTC781	CROWN WHEEL & PINION (INCL ITEMS 10&11)		1	1	1	1	1	1	1	01
10	NSS										
11	NSS										
12	R593693	WASHER-PLAIN		10	10	10	10	10	10	10	
13	R593692	BOLT		10	10	10	10	10	10	10	
14	BH112101L	BOLT		4	4	4	4	4	4	4	
15	R549230	SHIM-0.038IN		1	1	1	1	1	1	1	
15	R549232	SHIM-0.040IN		1	1	1	1	1	1	1	
15	R549234	SHIM-0.042IN		1	1	1	1	1	1	1	
15	R549236	SHIM-0.044IN		1	1	1	1	1	1	1	
15	R549238	SHIM-0.046IN		1	1	1	1	1	1	1	
15	R549240	SHIM-0.048IN		1	1	1	1	1	1	1	
15	R549242	SHIM-0.050IN		1	1	1	1	1	1	1	
15	R549244	SHIM-0.062IN		1	1	1	1	1	1	1	
15	R549246	SHIM-0.054IN		1	1	1	1	1	1	1	
15	R549248	SHIM-0.056IN		1	1	1	1	1	1	1	
15	R549250	SHIM-0.058IN		1	1	1	1	1	1	1	

GROUP KB /1

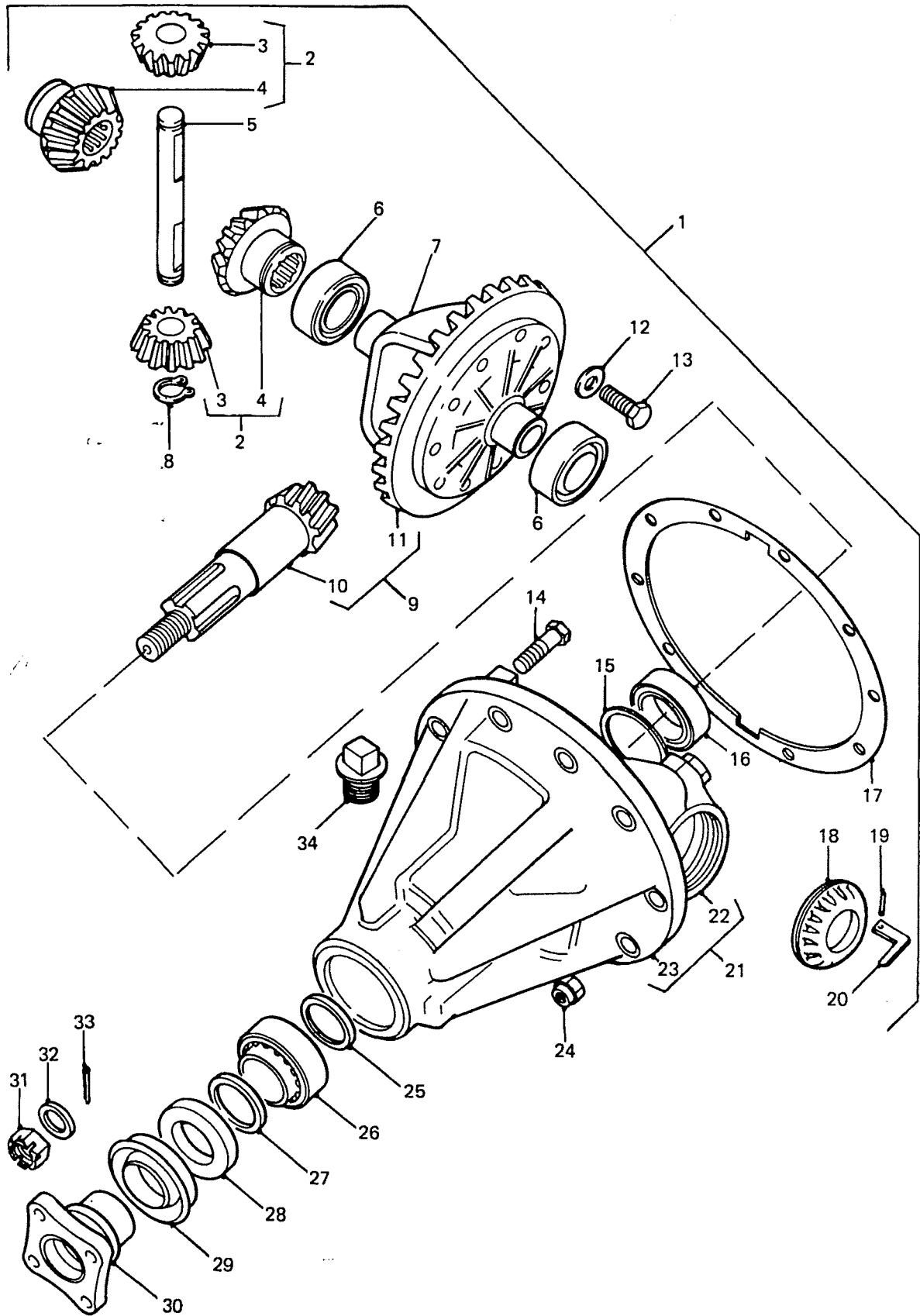


FRONT DIFFERENTIAL

PERENTIE LAND ROVER PARTS LIST

ITEM	KB 1/1 PART NO.	FRONT DIFFERENTIAL - EXCEPT RFSV DESCRIPTION	NSN	DERIVATIVE CODE						
				2188	2189	2190	2191	2192	2194	2195
15	R549252	SHIM-0.060IN		1	1	1	1	1	1	1
15	R576236	SHIM-0.062IN		1	1	1	1	1	1	1
15	R576237	SHIM-0.063IN		1	1	1	1	1	1	1
15	R576238	SHIM-0.064IN		1	1	1	1	1	1	1
15	R576239	SHIM-0.065IN		1	1	1	1	1	1	1
16	R539706	BEARING-PINION-INNER		1	1	1	1	1	1	1
17	R07316A	GASKET	5330-66-128-4545	1	1	1	1	1	1	1
18	FRC5204	NUT-SERRATED		2	2	2	2	2	2	2
19	R576159	SPRING PIN		2	2	2	2	2	2	2
20	FRC5661	LOCK TAB		2	2	2	2	2	2	2
21	FRC5690	HOUSING-PINION		1	1	1	1	1	1	1
22	NSS									
23	NSS									
24	NY606041L	NUT-NYLOC	5310-99-943-4299	10	10	10	10	10	10	10
25	FRC1193	SHIM-0.060IN		1	1	1	1	1	1	1
25	FRC1195	SHIM-0.062IN		1	1	1	1	1	1	1
25	FRC1197	SHIM-0.064IN		1	1	1	1	1	1	1
25	FRC1199	SHIM-0.066IN		1	1	1	1	1	1	1
25	FRC1201	SHIM-0.068IN		1	1	1	1	1	1	1
25	FRC1203	SHIM-0.070IN		1	1	1	1	1	1	1
25	R539718	SHIM-0.072IN		1	1	1	1	1	1	1
25	R539720	SHIM-0.074IN		1	1	1	1	1	1	1
25	R539722	SHIM-0.076IN		1	1	1	1	1	1	1
25	R539724	SHIM-0.078IN		1	1	1	1	1	1	1
26	R539707	BEARING-PINION-OUTER		1	1	1	1	1	1	1
27	R539745	WASHER		1	1	1	1	1	1	1
28	FRC8220	SEAL-OIL	5330-99-729-3008	1	1	1	1	1	1	1
29	FRC8154	MUDSHIELD	2520-99-729-3009	1	1	1	1	1	1	1
30	R236632	FLANGE	2520-99-849-9111	1	1	1	1	1	1	1

GROUP KB /1



FRONT DIFFERENTIAL

PERENTIE LAND ROVER PARTS LIST

KB /1/1

FRONT DIFFERENTIAL - EXCEPT RFSV

<u>ITEM</u>	<u>PART NO.</u>	<u>DESCRIPTION</u>	<u>NSN</u>	<u>DERIVATIVE CODE</u>								
				<u>2188</u>	<u>2189</u>	<u>2190</u>	<u>2191</u>	<u>2192</u>	<u>2194</u>	<u>2195</u>	<u>2207</u>	<u>CP</u>
31	R3259	NUT	5310-99-849-8716	1	1	1	1	1	1	1	1	
32	90513454	WASHER		1	1	1	1	1	1	1	1	
33	PS608101L	SPLIT PIN	5315-99-944-0183	1	1	1	1	1	1	1	1	
34	R608246	PLUG	4730-99-823-7480	1	1	1	1	1	1	1	1	

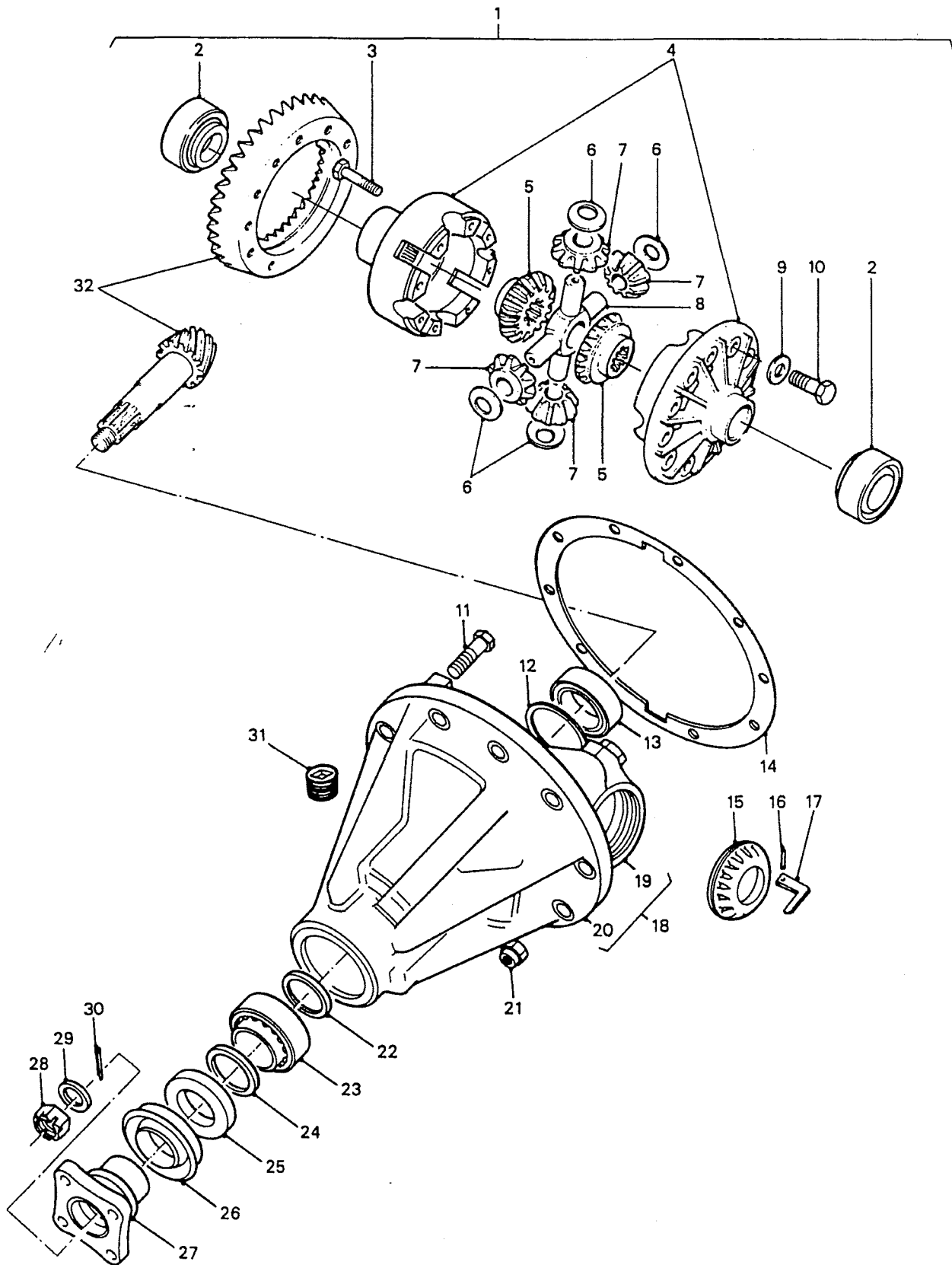
CHANGE POINT

1

ARN INTRODUCTION

USE IN CONJUNCTION WITH FLANGE PART NUMBER FRC3002

GROUP KB/2

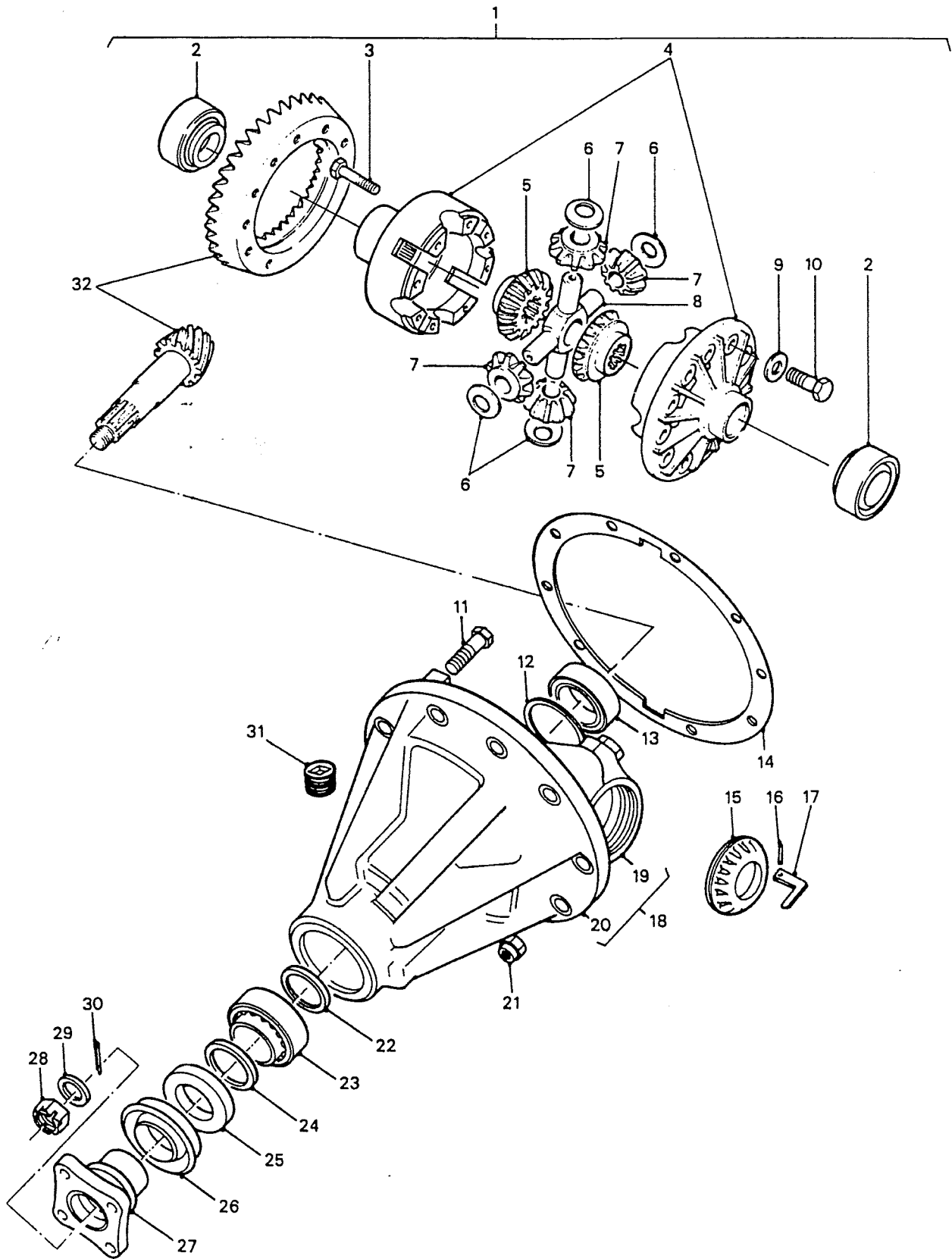


**FRONT DIFFERENTIAL
- RFSV ONLY**

PERENTIE LAND ROVER PARTS LIST

ITEM	KB 12/1 PART NO.	FRONT DIFFERENTIAL - RFSV ONLY DESCRIPTION	NSN	DERIVATIVE CODE									
				2188	2189	2190	2191	2192	2194	2195	2207	CP	
1	FTC785	DIFFERENTIAL ASSY-FRONT-3.54:1 RATIO											1
2	RTC3095	BEARING ASSY											2
3	FRC8188	BOLT-DIFFERENTIAL CASE											8
4	FRC8187	CASE-DIFFERENTIAL											1
5	FRC8190	GEAR-DIFFERENTIAL (USE RTC4487)											1
6	FRC8191	WASHER-THRUST											4
7	R599944	PINION-DIFFERENTIAL (USE RTC4487)											1
8	FRC8189	SHAFT-CROSS-4 PIN											1
9	R593693	WASHER-PLAIN											10
10	R593692	BOLT											10
11	BH112101L	BOLT											4
12	R549230	SHIM-0.038IN											1
12	R549232	SHIM-0.040IN											1
12	R549234	SHIM-0.042IN											1
12	R549236	SHIM-0.044IN											1
12	R549238	SHIM-0.046IN											1
12	R549240	SHIM-0.048IN											1
12	R549242	SHIM-0.050IN											1
12	R549244	SHIM 0.052IN											1
12	R549246	SHIM-0.054IN											1
12	R549248	SHIM-0.056IN											1
12	R549250	SHIM-0.058IN											1
12	R549252	SHIM-0.060IN											1
12	R576236	SHIM-0.062IN											1
12	R576237	SHIM-0.063IN											1
12	R576238	SHIM-0.064IN											1

GROUP KB/2

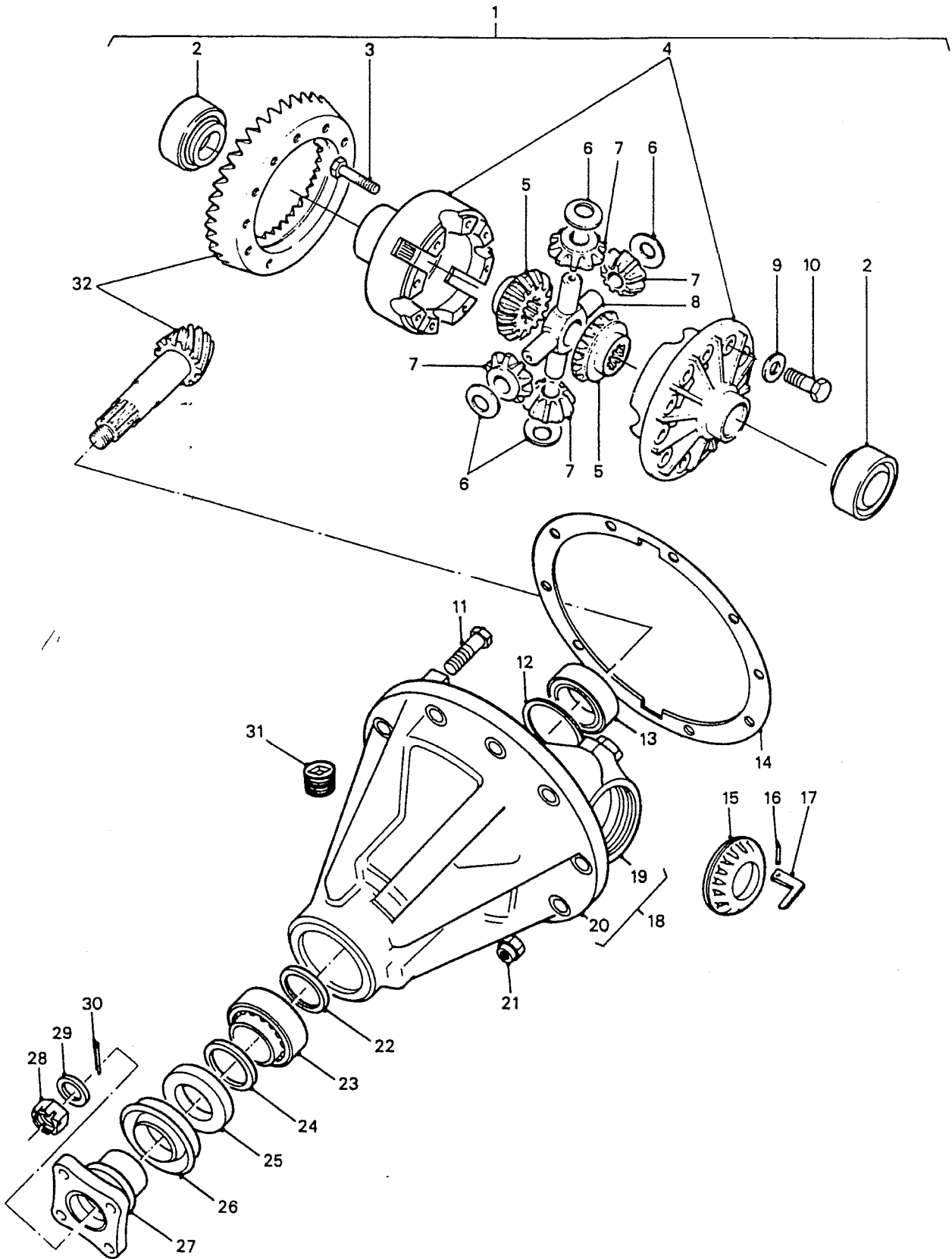


**FRONT DIFFERENTIAL
- RFSV ONLY**

PERENTIE LAND ROVER PARTS LIST


ITEM	KB /2/1 PART NO.	FRONT DIFFERENTIAL - RFSV ONLY DESCRIPTION	NSN	DERIVATIVE CODE							CP
				2188	2189	2190	2191	2192	2194	2195	
12	R576239	SHIM-0.065IN									1
13	R539706	BEARING-PINION-INNER									1
14	R07316	GASKET	5330-66-128-4545								1
15	FRC5204	NUT-SERRATED									2
16	R576159	SPRING PIN									2
17	FRC566	LOCK TAB									2
18	FRC5690	HOUSING-PINION									1
19	NSS										
20	NSS										
21	NY606041L	NUT-NYLOC	5310-99-943-4299								10
22	FRC1193	SHIM-0.060IN									1
22	FRC1195	SHIM-0.062IN									1
22	FRC1197	SHIM 0.064IN									1
22	FRC1199	SHIM 0.066IN									1
22	FRC1201	SHIM-0.068IN									1
22	FRC1203	SHIM-0.070IN									1
22	R539718	SHIM-0.072IN									1
22	R539720	SHIM-0.074IN									1
22	R539722	SHIM-0.076IN									1
22	R539724	SHIM-0.078IN									1
23	R539707	BEARING-PINION-OUTER									1
24	R539745	WASHER									1
25	FRC8220	SEAL-OIL	5330-99-729-3008								1
26	FRC8154	MUDSHIELD	2520-99-729-3009								1
27	R236632	FLANGE(EARLY TYPE)	2520-99-849-9111								1 01
	FRC3002	FLANGE-24 SPLINE(LATER TYPE)	2520-66-128-5718								1 02
28	R3259	NUT	5310-99-849-8716								1

GROUP KB/2



**FRONT DIFFERENTIAL
- RFSV ONLY**

PERENTIE LAND ROVER PARTS LIST

<u>ITEM</u>	<u>PART NO.</u>	<u>DESCRIPTION</u>	<u>NSN</u>	<u>DERIVATIVE CODE</u>							<u>CP</u>
				<u>2188</u>	<u>2189</u>	<u>2190</u>	<u>2191</u>	<u>2192</u>	<u>2194</u>	<u>2195</u>	
29	90513454	WASHER									1
30	PS608101L	SPLIT PIN	5315-99-944-0183								1
31	R608246	PLUG	4730-99-823-7480								1
32	FTC781	CROWN WHEEL & PINION									1 02
		NOTE USE IN CONJUNCTION WITH FLANGE PART NO.									
	RTC4487	 GEAR KIT-DIFFERENTIAL (INCL ITEMS 5-7)									1

CHANGE POINT

ARN INTRODUCTION

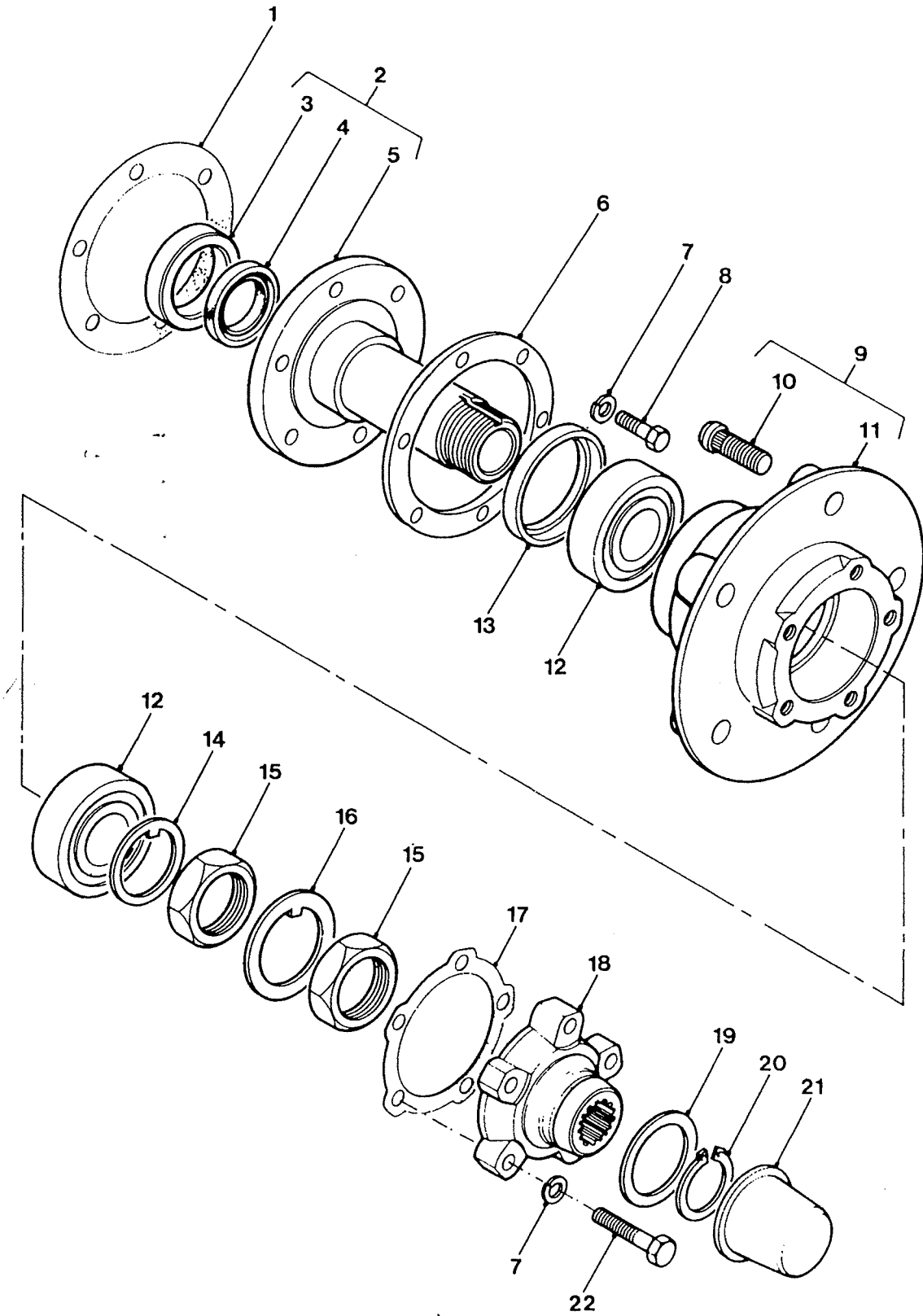
1

USE WITH EARLY CROWN WHEEL AND PINION R594493

2

USE AS A MATCHED PAIR

GROUP KC

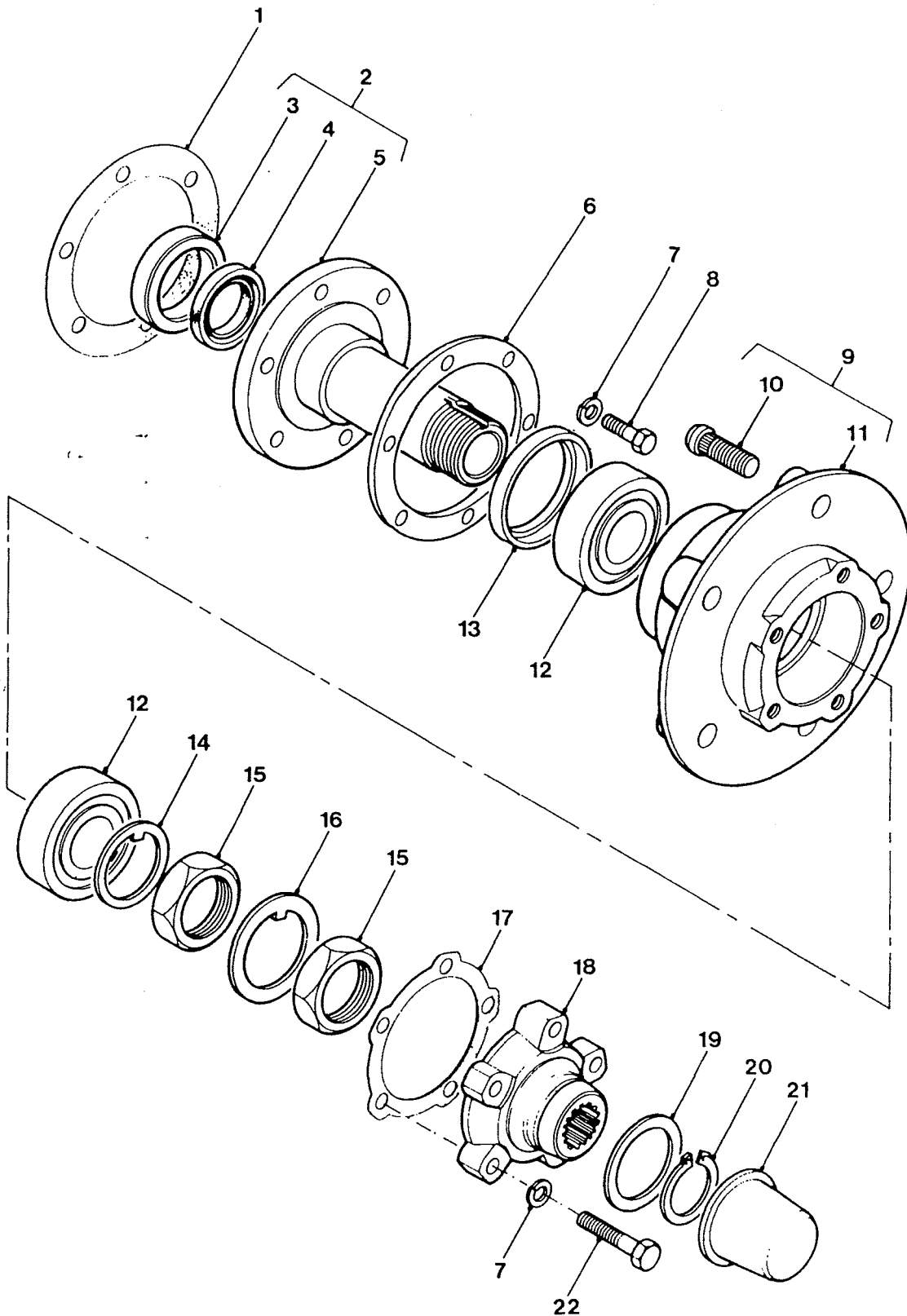


FRONT AXLE HUB ASSEMBLY

PERENTIE LAND ROVER PARTS LIST

ITEM	PART NO.	DESCRIPTION	NSN	DERIVATIVE CODE								
				2188	2189	2190	2191	2192	2194	2195	2207	CP
1	FTC3648	JOINT WASHER	5330-99-797-7051	2	2	2	2	2	2	2	2	2
2	FRC4320	STUB AXLE (INCL ITEMS 3 TO 5)		2	2	2	2	2	2	2	2	2
3	FRC4319	BUSH-STUB AXLE	3120-99-797-7050	1	1	1	1	1	1	1	1	1
4	FRC3099	OIL SEAL	5330-99-761-3040	1	1	1	1	1	1	1	1	1
5	NSS											
6	FRC2310	MUDSHIELD	2530-99-797-7052	1	1	1	1	1	1	1	1	1
7	WL110001L	WASHER-LOCK	5310-99-138-9228	22	22	22	22	22	22	22	22	22
8	SX110251	BOLT		12	12	12	12	12	12	12	12	12
9	FRC6139	HUB-STUD (INCL ITEMS 10&11)	2530-99-797-7054	2	2	2	2	2	2	2	2	2
10	FRC6137	STUD-HUB	5306-99-797-4658	5	5	5	5	5	5	5	5	5
11	NSS											
12	RTC3429	BEARING ASSY	3110-00-789-1842	4	4	4	4	4	4	4	4	4
13	FTC4785	SEAL-OIL-HUB	5330-99-839-5349	2	2	2	2	2	2	2	2	2
14	R217352	KEY WASHER	5310-99-849-8885	2	2	2	2	2	2	2	2	2
15	FRC8700	NUT	5310-99-849-8887	4	4	4	4	4	4	4	4	4
16	R217353	LOCKER	5310-99-849-8886	2	2	2	2	2	2	2	2	2
17	FRC3988	JOINT WASHER	5330-99-797-4662	2	2	2	2	2	2	2	2	2
18	FRC5806	DRIVING MEMBER-HUB	2530-99-797-4659	2	2	2	2	2	2	2	2	2
19	FRC6782	SHIM-0.45MM		1	1	1	1	1	1	1	1	1
19	FRC6783	SHIM-0.60MM		1	1	1	1	1	1	1	1	1
19	FRC6784	SHIM-0.75MM		1	1	1	1	1	1	1	1	1
19	FRC6785	SHIM-0.90MM		1	1	1	1	1	1	1	1	1
19	FRC6786	SHIM-1.05MM		1	1	1	1	1	1	1	1	1
19	FRC6787	SHIM-1.20MM		1	1	1	1	1	1	1	1	1
19	FRC6788	SHIM-1.35MM		1	1	1	1	1	1	1	1	1
19	FRC6789	SHIM-1.50MM		1	1	1	1	1	1	1	1	1
19	FRC6790	SHIM-1.65MM		1	1	1	1	1	1	1	1	1
20	R549473	CIRCLIP	5365-99-809-6586	2	2	2	2	2	2	2	2	2

GROUP KC



FRONT AXLE HUB ASSEMBLY

PERENTIE LAND ROVER PARTS LIST

KC /1/1

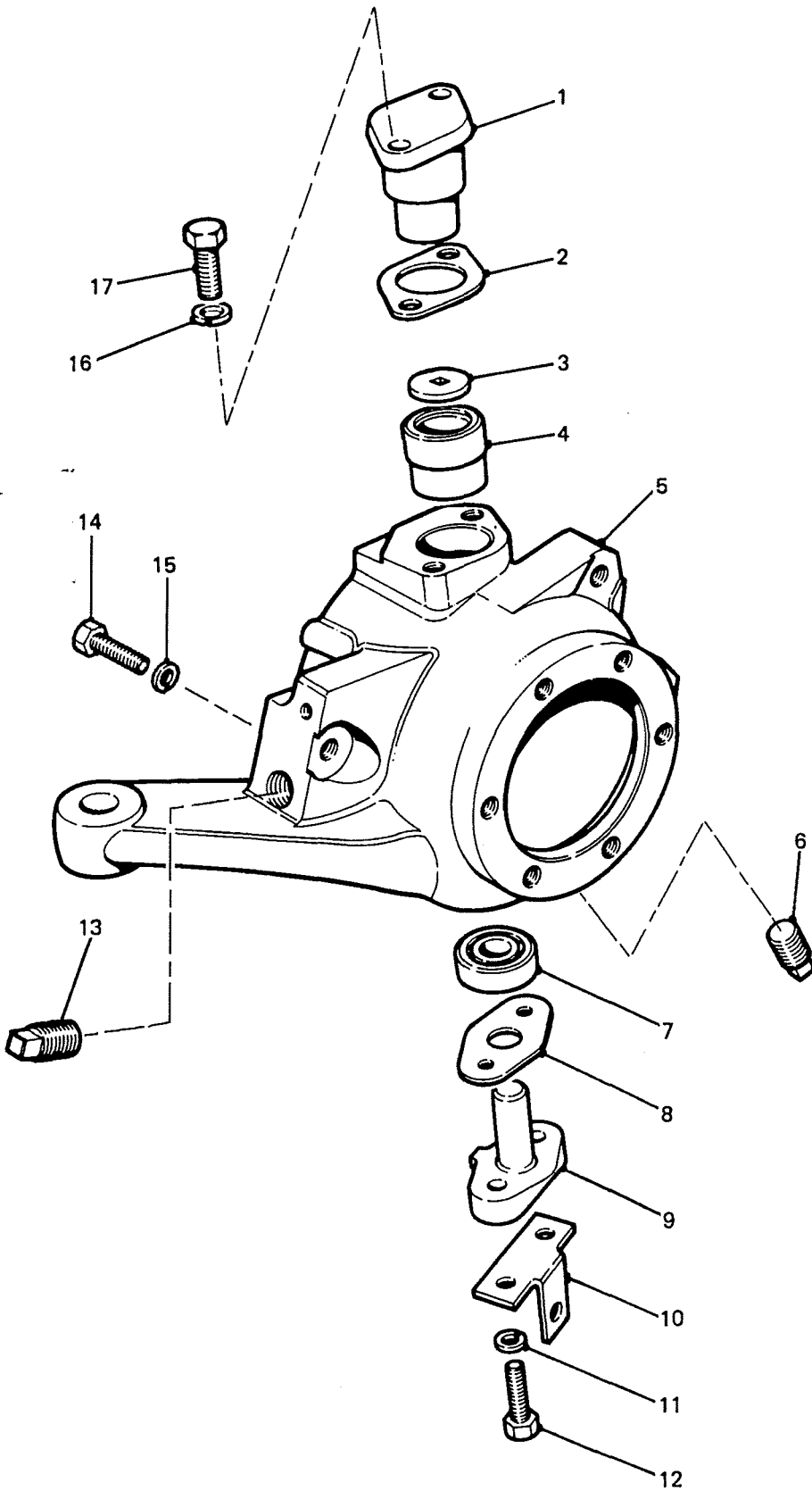
FRONT AXLE HUB ASSEMBLY

<u>ITEM</u>	<u>PART NO.</u>	<u>DESCRIPTION</u>	<u>NSN</u>	<u>DERIVATIVE CODE</u>								
				<u>2188</u>	<u>2189</u>	<u>2190</u>	<u>2191</u>	<u>2192</u>	<u>2194</u>	<u>2195</u>	<u>2207</u>	<u>CP</u>
21	FRC4377	HUB CAP	2530-99-792-2647	2	2	2	2	2	2	2	2	2
22	AFU1181	BOLT	5306-99-734-5822	10	10	10	10	10	10	10	10	10

CHANGE POINT

ARN INTRODUCTION

GROUP KD



SWIVEL PIN HOUSING

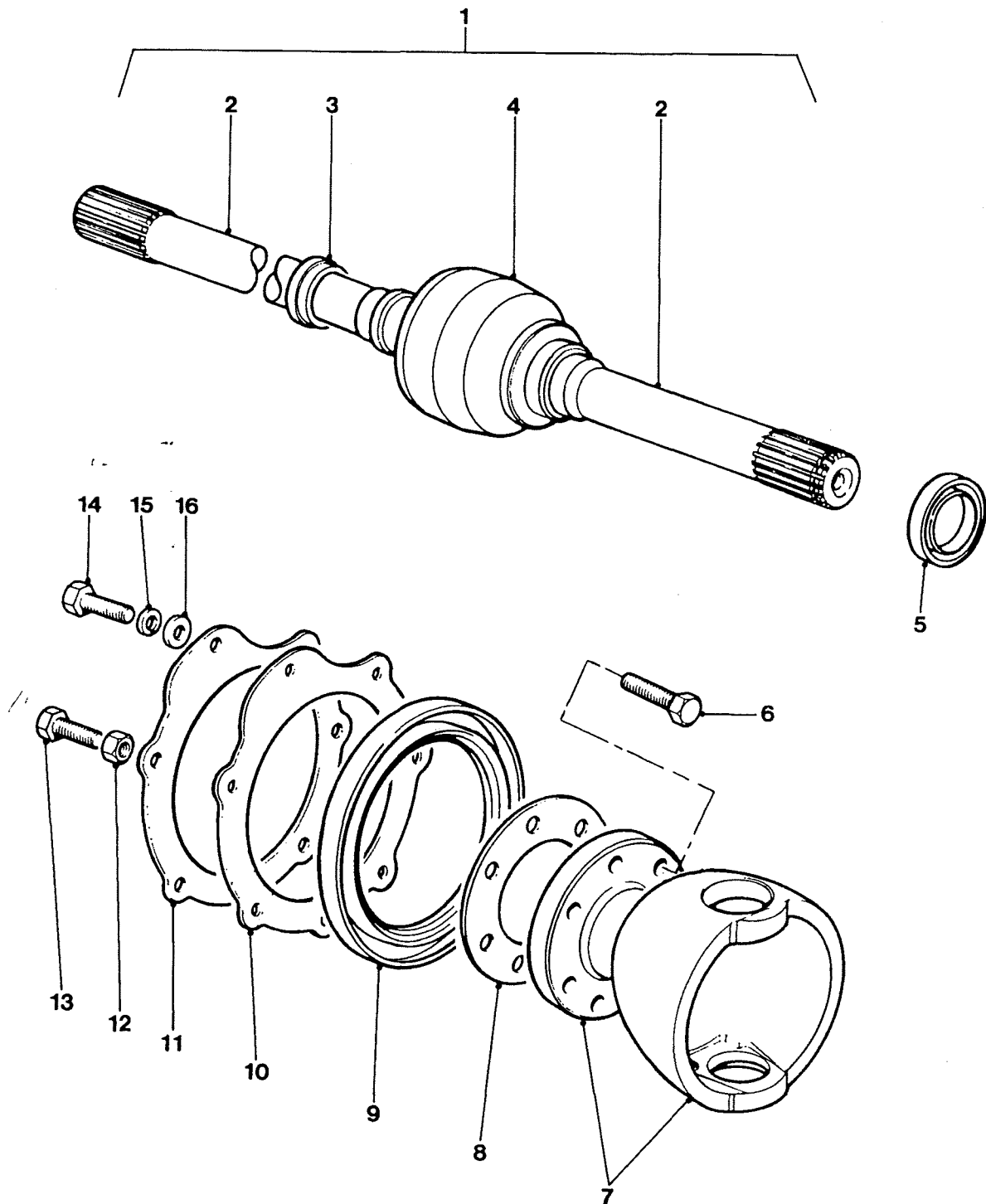
PERENTIE LAND ROVER PARTS LIST

ITEM	KD /1/1 PART NO.	SWIVEL PIN HOUSING DESCRIPTION	NSN	DERIVATIVE CODE								
				2188	2189	2190	2191	2192	2194	2195	2207	CP
1	FRC3511	SWIVEL PIN UPPER		2	2	2	2	2	2	2	2	2
2	FRC2883	SHIM-0.075MM		1	1	1	1	1	1	1	1	1
2	FRC2884	SHIM-0.13MM		1	1	1	1	1	1	1	1	1
2	FRC2885	SHIM-0.25MM		1	1	1	1	1	1	1	1	1
2	FRC2886	SHIM-0.75MM		1	1	1	1	1	1	1	1	1
3	FRC2906	WASHER-THRUST	2530-99-797-7038	2	2	2	2	2	2	2	2	2
4	FRC2916	HOUSING AND BUSH ASSY	2530-99-797-7037	2	2	2	2	2	2	2	2	2
5	FRC4838	HOUSING-SWIVEL PIN-RH		1	1	1	1	1	1	1	1	1
5	FRC4839	HOUSING-SWIVEL PIN-LH		1	1	1	1	1	1	1	1	1
6	R3290	PLUG	4730-99-194-5268	2	2	2	2	2	2	2	2	2
7	R606666	BEARING ASSY	3110-00-158-8385	2	2	2	2	2	2	2	2	2
8	FRC2897	WASHER-JOINT	2530-99-797-7047	2	2	2	2	2	2	2	2	2
9	FRC2894	SWIVEL PIN-LOWER		2	2	2	2	2	2	2	2	2
10	FRC3725	BRACKET RETAINING		2	2	2	2	2	2	2	2	2
11	WL108001L	WASHER-LOCK	5310-99-137-9231	4	4	4	4	4	4	4	4	4
12	FB108061	BOLT	5306-99-122-5253	4	4	4	4	4	4	4	4	4
13	R3291L	PLUG	4730-99-895-1621	2	2	2	2	2	2	2	2	2
14	SH112505	BOLT-LOCKSTOP		2	2	2	2	2	2	2	2	2
	WB112081L	WASHER-PLAIN		2	2	2	2	2	2	2	2	2
15	NT112041L	NUT	5310-99-139-8286	2	2	2	2	2	2	2	2	2
16	WL110001L	WASHER-LOCK	5310-99-138-9228	4	4	4	4	4	4	4	4	4
17	BX110071L	BOLT		4	4	4	4	4	4	4	4	4

CHANGE POINT

ARN INTRODUCTION

GROUP KE



**DRIVESHAFT AND CONSTANT
VELOCITY JOINT**

PERENTIE LAND ROVER PARTS LIST

ITEM	KE 1/1 PART NO.	DRIVESHAFT AND CONSTANT VELOCITY JOINT DESCRIPTION	NSN	DERIVATIVE CODE								CP
				2188	2189	2190	2191	2192	2194	2195	2207	
1	FRC3890	AXLE SHAFT ASSY-RH	2530-99-797-7022	1	1	1	1	1	1	1	1	01
1	FRC3891	AXLE SHAFT ASSY-LH	2530-99-797-7023	1	1	1	1	1	1	1	1	01
1	FTC1332	AXLE SHAFT ASSY-RH	2520-99-324-9823	1	1	1	1	1	1	1	1	02
1	FTC1333	AXLE SHAFT ASSY-LH	2520-99-513-2901	1	1	1	1	1	1	1	1	02
1	HYM570	AXLE SHAFT ASSY-RH-RFSV ONLY										1
1	HYM569	AXLE SHAFT ASSY-LH-RFSV ONLY										1
2	AEU2520	HALF SHAFT-RH	2530-99-797-7025	1	1	1	1	1	1	1	1	01
2	AEU2521	HALF SHAFT-LH	2521-99-797-7026	1	1	1	1	1	1	1	1	01
2	RTC6754	HALF SHAFT-RH		1	1	1	1	1	1	1	1	02
2	RTC6755	HALF SHAFT-LH		1	1	1	1	1	1	1	1	02
2	AYG7168	HALF SHAFT-RH-RFSV ONLY										1
2	AYG7169	HALF SHAFT-LH-RFSV ONLY										1
3	FTC254	SPACER		2	2	2	2	2	2	2	2	01
3	RTC5841	SPACER		2	2	2	2	2	2	2	2	02
4	AEU2522	CV JOINT	2530-99-797-7024	2	2	2	2	2	2	2	2	01

PERENTIE LAND ROVER PARTS LIST

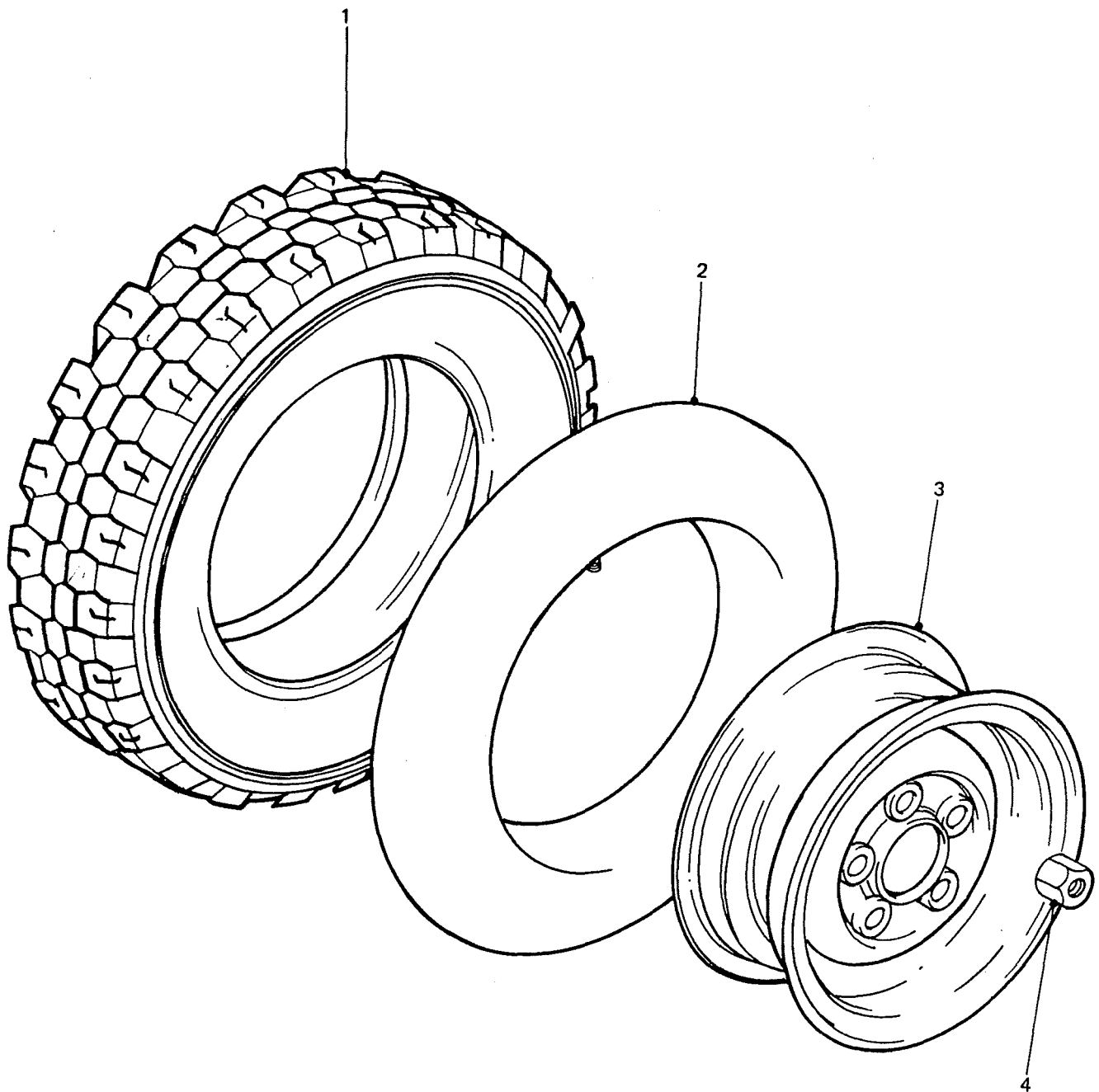
<u>ITEM</u>	<u>KE /1/1</u> <u>PART NO.</u>	<u>DRIVESHAFT AND CONSTANT VELOCITY JOINT</u> <u>DESCRIPTION</u>	<u>NSN</u>	<u>DERIVATIVE CODE</u>							<u>CP</u>
				<u>2188</u>	<u>2189</u>	<u>2190</u>	<u>2191</u>	<u>2192</u>	<u>2194</u>	<u>2195</u>	
4	RTC6862	CV JOINT		2	2	2	2	2	2	2	02
	RTC4820	CIRCLIP-CV JOINT		2	2	2	2	2	2	2	01
	STC579	CIRCLIP-CV JOINT		2	2	2	2	2	2	2	02
5	FTC3456	BOLT-SWIVEL HOUSING		14	14	14	14	14	14	14	14
	FRC8530	WASHER-PLAIN	5310-99-785-8997	14	14	14	14	14	14	14	14
6	FRC2644	HOUSING-SWIVEL PIN	2530-99-797-7027	2	2	2	2	2	2	2	2
7	R571718	OIL SEAL	5330-99-824-9715	2	2	2	2	2	2	2	2
8	FTC3646	JOINT WASHER	5330-99-797-7031	2	2	2	2	2	2	2	2
9	FTC3401	OIL SEAL-SWIVEL HOUSING	5330-99-797-7028	2	2	2	2	2	2	2	2
10	FRC4206	JOINT WASHER	5330-99-797-7029	2	2	2	2	2	2	2	2
11	FRC4142	PLATE-RETAINER	2530-99-797-7030	2	2	2	2	2	2	2	2
12	WA106041L	WASHER-PLAIN	5310-66-098-4440	14	14	14	14	14	14	14	14
13	WL106001L	WASHER-LOCK	5310-99-137-9232	14	14	14	14	14	14	14	14
14	SH106121L	SCREW	5305-99-122-5359	14	14	14	14	14	14	14	14

CHANGE POINT

ARN INTRODUCTION

- | | |
|---|----------------------------|
| 1 | UP TO AXLE NUMBER 20L48865 |
| 2 | FROM AXLE NUMBER 20L48866 |

GROUP L / 1



WHEEL RIM, TYRE, TUBE AND NUT

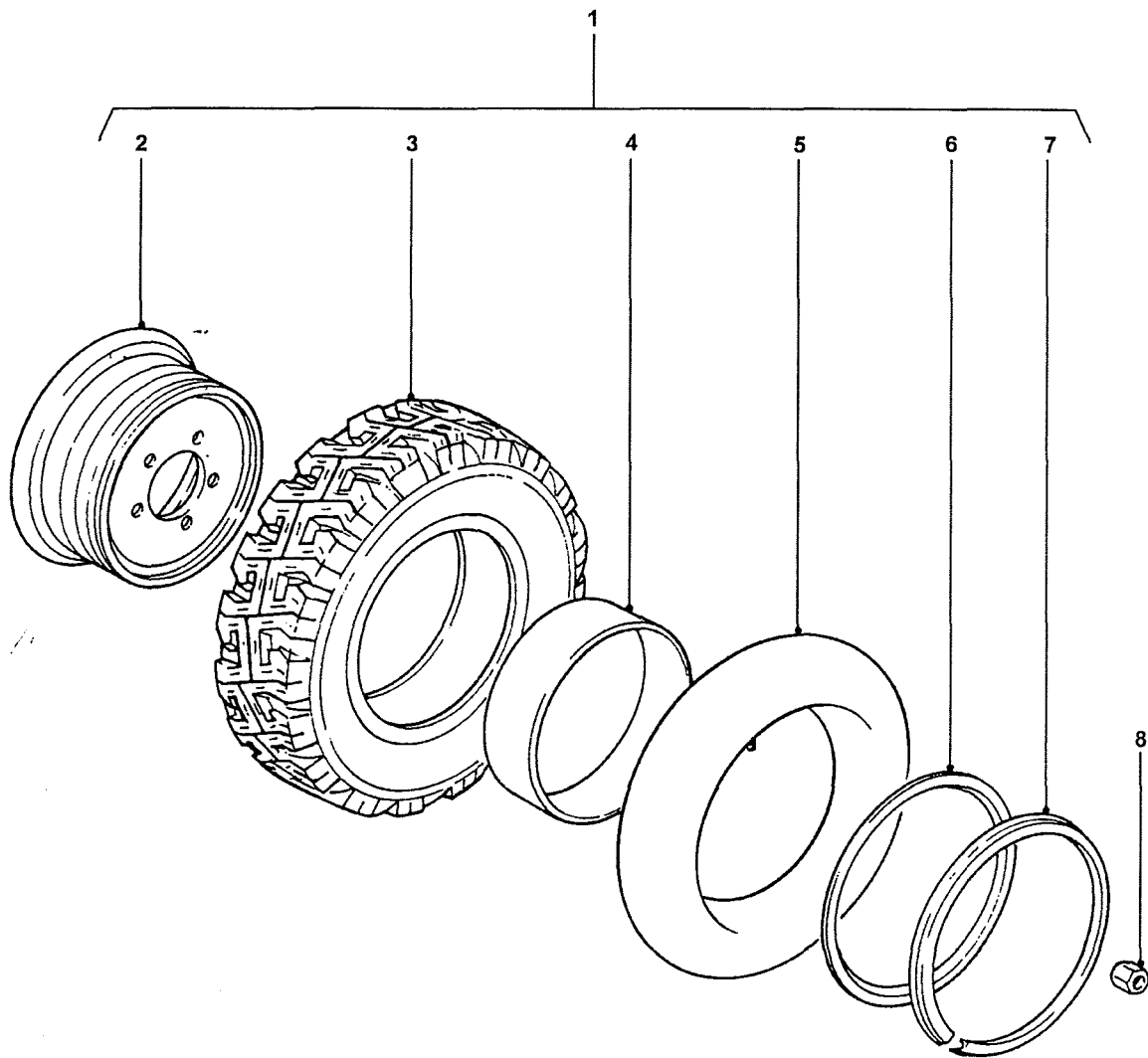
PERENTIE LAND ROVER PARTS LIST

<u>ITEM</u>	<u>L /1/1</u> <u>PART NO.</u>	<u>WHEEL RIM, TYRE, TUBE AND NUT</u> <u>DESCRIPTION</u>	<u>NSN</u>	<u>DERIVATIVE CODE</u>								
				<u>2188</u>	<u>2189</u>	<u>2190</u>	<u>2191</u>	<u>2192</u>	<u>2194</u>	<u>2195</u>	<u>2207</u>	<u>CP</u>
1	NSS		2610-66-108-0508									
2	NSS		2610-66-010-7864									
3	AYG8108	WHEEL-ROAD	2530-66-128-5044	5	5	5	5	5	5	5		
4	90577473	WHEEL NUT	5310-99-819-1858	20	20	20	20	20	20	20		
	AYG8673	BALANCE WEIGHT-30GM		1	1	1	1	1	1	1		
	AYG8674	BALANCE WEIGHT-55GM		1	1	1	1	1	1	1		
	AYG8675	BALANCE WEIGHT-85GM		1	1	1	1	1	1	1		
	AYG8676	BALANCE WEIGHT-110GM		1	1	1	1	1	1	1		
	AYG8677	BALANCE WEIGHT-142GM		1	1	1	1	1	1	1		

CHANGE POINT

ARN INTRODUCTION

GROUP L/2



**WHEEL, RIM, TYRE, TUBE AND NUT
- RFSV ONLY**

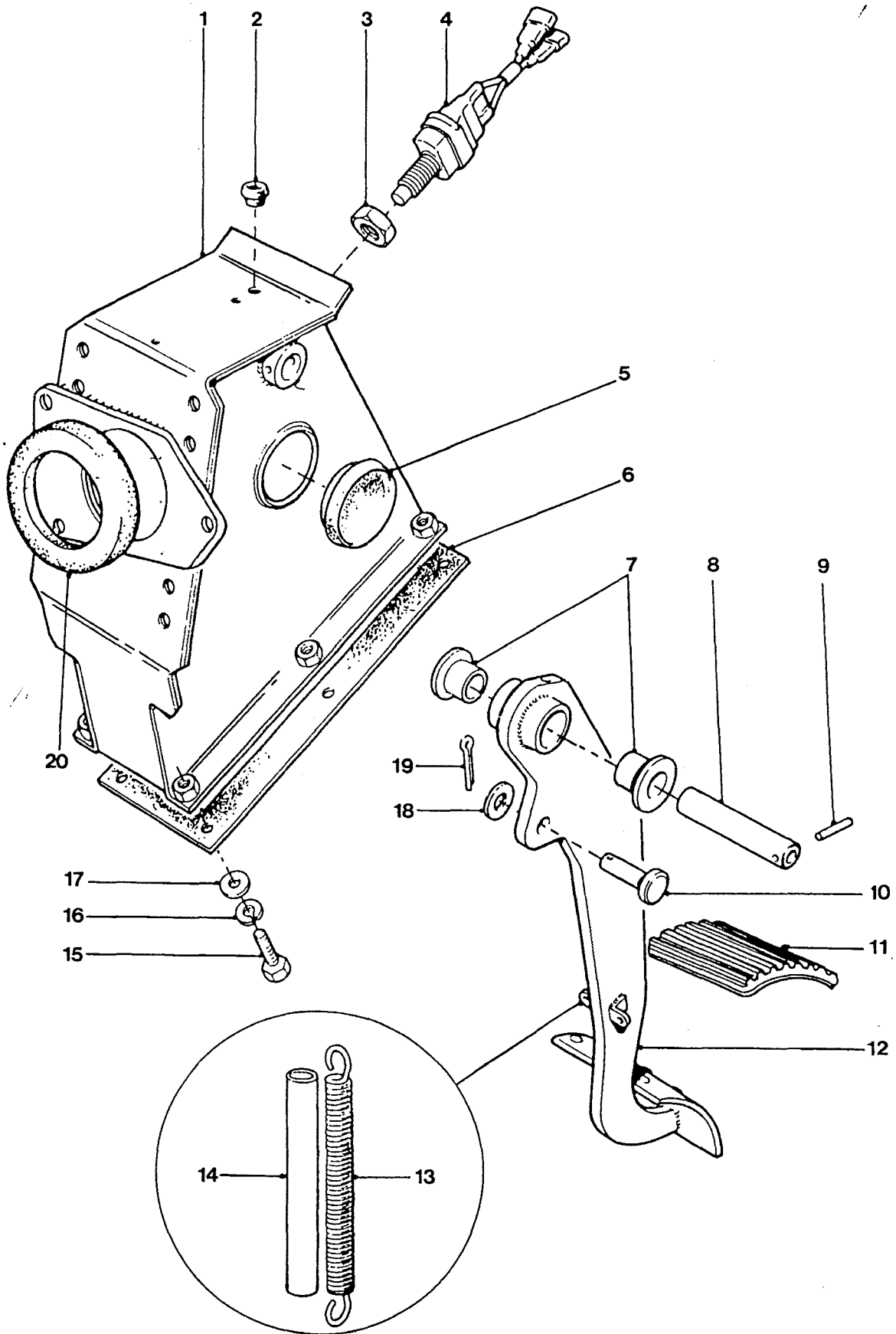
PERENTIE LAND ROVER PARTS LIST

<u>ITEM</u>	<u>L /2/1</u> <u>PART NO.</u>	<u>WHEEL, RIM, TYRE, TUBE AND NUT - RFSV ONLY</u> <u>DESCRIPTION</u>	<u>NSN</u>	<u>DERIVATIVE CODE</u>							<u>CP</u>
				<u>2188</u>	<u>2189</u>	<u>2190</u>	<u>2191</u>	<u>2192</u>	<u>2194</u>	<u>2195</u>	
1	NSS		2530-66-128-6138								
2	BYG5324	WHEEL-ROAD	2530-66-128-6139								5
3	NSS		2610-66-128-6139								
4	NSS		2640-66-128-6140								
5	NSS		2610-66-118-4061								
6	NSS										
7	NSS										
8	90577473	WHEEL NUT	5310-99-819-1858								20
	AYG8673	BALANCE WEIGHT-30GM									1
	AYG8674	BALANCE WEIGHT-55GM									1
	AYG8675	BALANCE WEIGHT-85GM									1
	AYG8676	BALANCE WEIGHT-110GM									1
	AYG8677	BALANCE WEIGHT-142GM									1

CHANGE POINT

ARN INTRODUCTION

GROUP MA



BRAKE PEDAL AND BRACKET

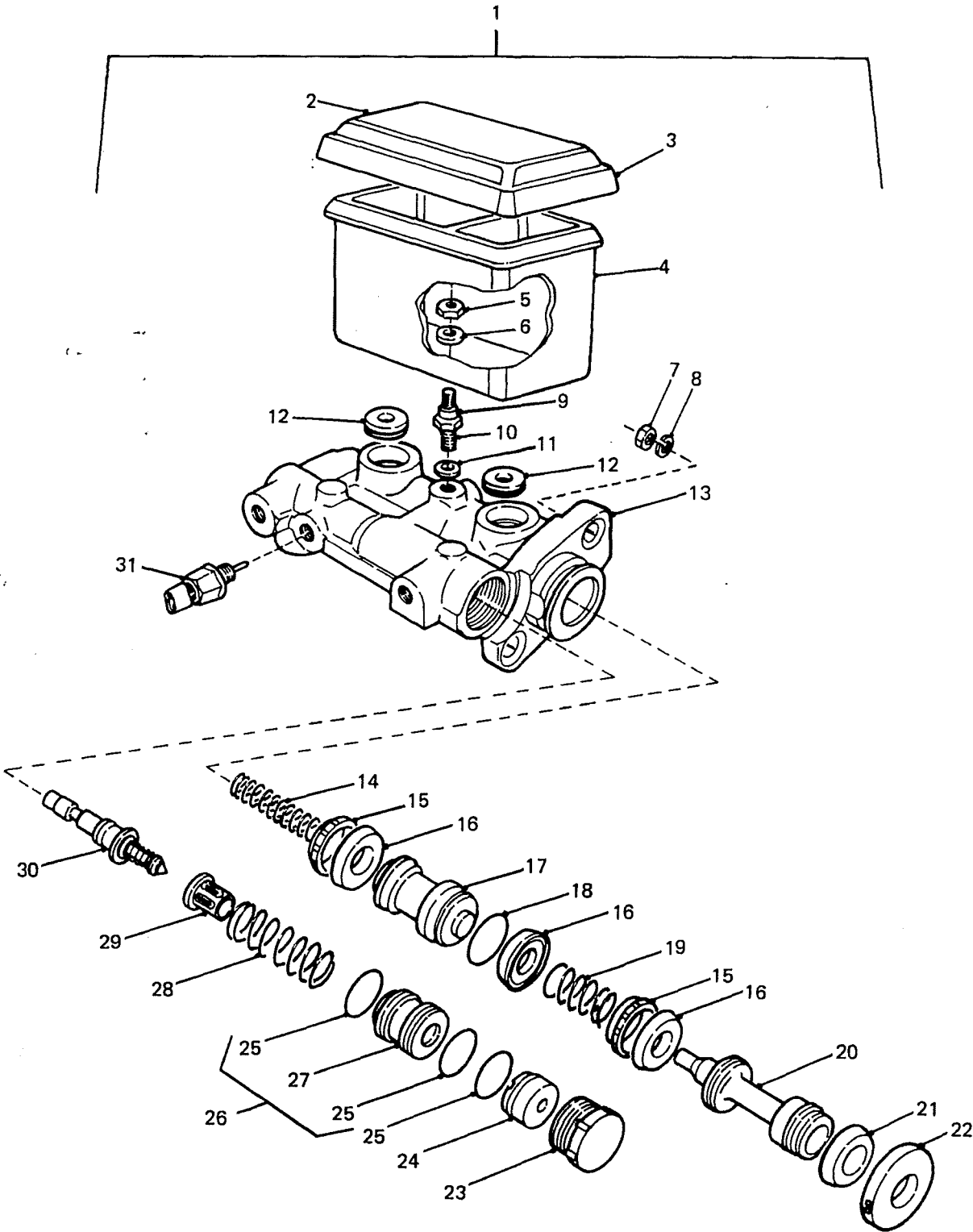
PERENTIE LAND ROVER PARTS LIST

ITEM	PART NO.	DESCRIPTION	NSN	DERIVATIVE CODE								
				2188	2189	2190	2191	2192	2194	2195	2207	CP
1	BYG2143	PEDAL BOX & YOKE ASSY-BRAKE		1	1	1	1	1	1	1	1	1
	BYG5384	YOKE-PUSH ROD-30MM LONG		1	1	1	1	1	1	1	1	1
2	R338029	BLANKING PLUG	5340-99-824-2744	1	1	1	1	1	1	1	1	1
3	BMK1903	LOCKNUT		1	1	1	1	1	1	1	1	1
4	PRC4297	SWITCH-BRAKE	5930-99-797-8645	1	1	1	1	1	1	1	1	1
5	AFU2627	PLUG-SEALING	5325-99-805-4918	2	2	2	2	2	2	2	2	2
6	MUC7506	GASKET	5330-66-128-4544	1	1	1	1	1	1	1	1	1
7	R564816	BUSH-BRAKE PEDAL	3120-99-819-1851	2	2	2	2	2	2	2	2	2
8	R564813	PEDAL SHAFT	2540-99-824-2742	1	1	1	1	1	1	1	1	1
9	R50446	PIN	5315-99-849-9637	1	1	1	1	1	1	1	1	1
10	NRC4665	CLEVIS PIN		1	1	1	1	1	1	1	1	1
11	61K738	PAD-RUBBER-PEDAL	2520-99-874-1494	1	1	1	1	1	1	1	1	1
12	NRC9183	PEDAL BRAKE	5360-99-824-2748	1	1	1	1	1	1	1	1	1
13	R569291	SPRING	5360-99-824-2748	2	2	2	2	2	2	2	2	2
14	NRC7869	SLEEVE-RETURN SPRING	4720-99-741-2061	2	2	2	2	2	2	2	2	2
15	GG108251L	SCREW	5305-99-741-7926	6	6	6	6	6	6	6	6	6
16	WL108001L	WASHER-LOCK	5310-99-137-9231	6	6	6	6	6	6	6	6	6
17	WA108051L	WASHER-PLAIN	5310-99-122-6475	6	6	6	6	6	6	6	6	6
18	WA112081L	WASHER-PLAIN	5310-99-122-6477	1	1	1	1	1	1	1	1	1
19	PS106201	SPLIT PIN		1	1	1	1	1	1	1	1	1
20	NRC9233	SEALING RING	5330-99-741-2063	1	1	1	1	1	1	1	1	1

CHANGE POINT

ARN INTRODUCTION

GROUP MBA

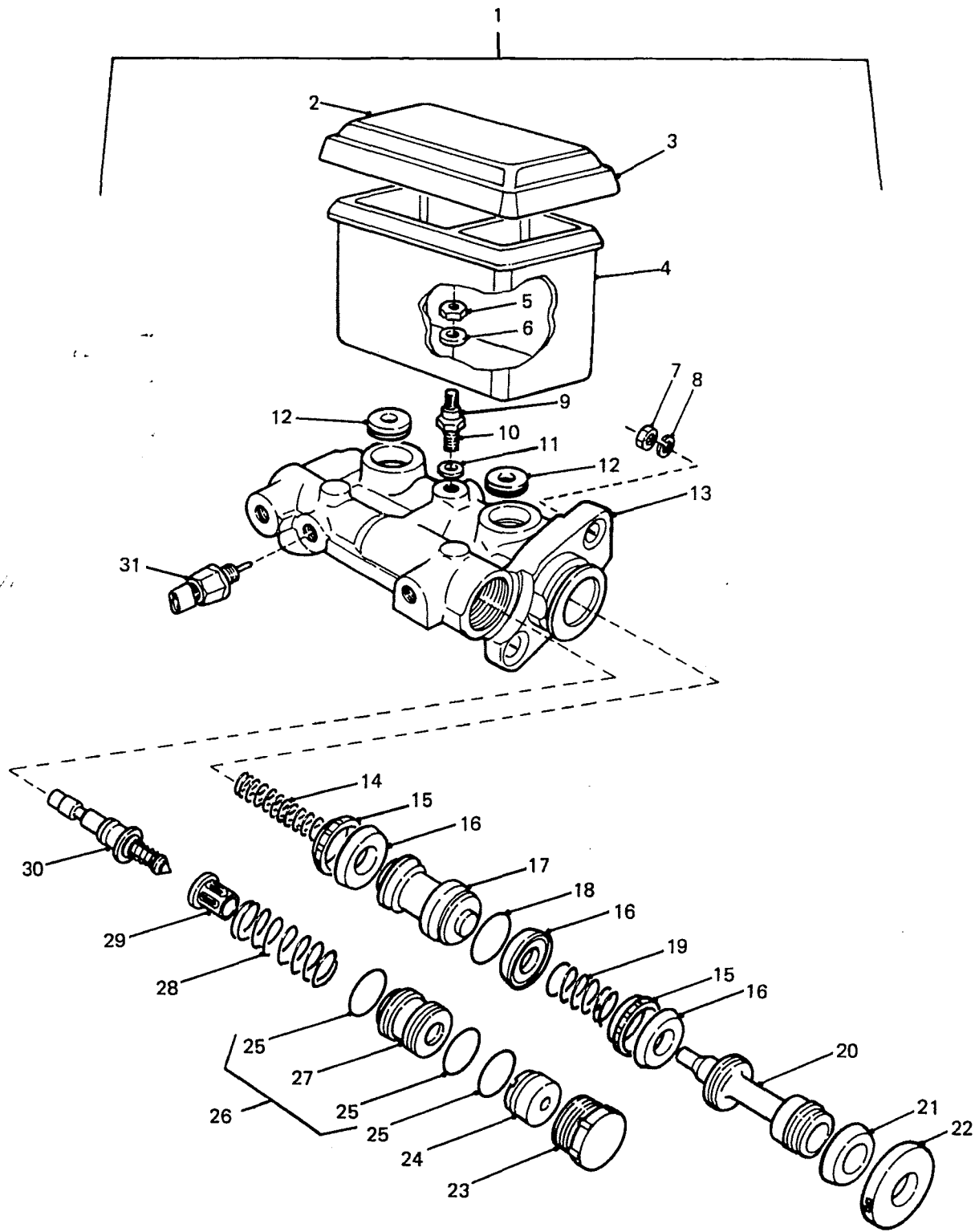


BRAKE MASTER CYLINDER

PERENTIE LAND ROVER PARTS LIST

ITEM	PART NO.	DESCRIPTION	NSN	DERIVATIVE CODE								
				2188	2189	2190	2191	2192	2194	2195	2207	CP
1	AYG2798	MASTER CYLINDER-BRAKE (INCL ITEMS 2-6, 9-31)	2530-66-128-4241	1	1	1	1	1	1	1	1	1
2	NSS	USE KIT HYL8656										
3	NSS	USE KIT HYL8656										
4	NSS	USE KIT HYL8656										
5	HYL8657	NUT-RESERVOIR		1	1	1	1	1	1	1	1	1
6	NSS											
7	NH506041	NUT	5310-66-019-3967	2	2	2	2	2	2	2	2	2
8	WM600061L	WASHER-LOCK	5310-99-797-7195	2	2	2	2	2	2	2	2	2
9	NSS											
10	HYL8658	SCREW-STOP		1	1	1	1	1	1	1	1	1
11	NSS	USE KIT HYL8634										
12	NSS	USE KIT HYL8656										
13	NSS											
14	NSS											
15	NSS	USE KIT HYL8634										
16	NSS	USE KIT HYL8634										
17	NSS											
18	NSS	USE KIT HYL8634										
19	NSS											
20	NSS											
21	NSS	USE KIT HYL8634										
22	NSS											
23	NSS											
24	NSS											
25	NSS	USE KIT HYL8634										
26	NSS	USE KIT HYL8634										
27	NSS	USE KIT HYL8634										
28	NSS											
29	NSS											

GROUP MBA



BRAKE MASTER CYLINDER

PERENTIE LAND ROVER PARTS LIST

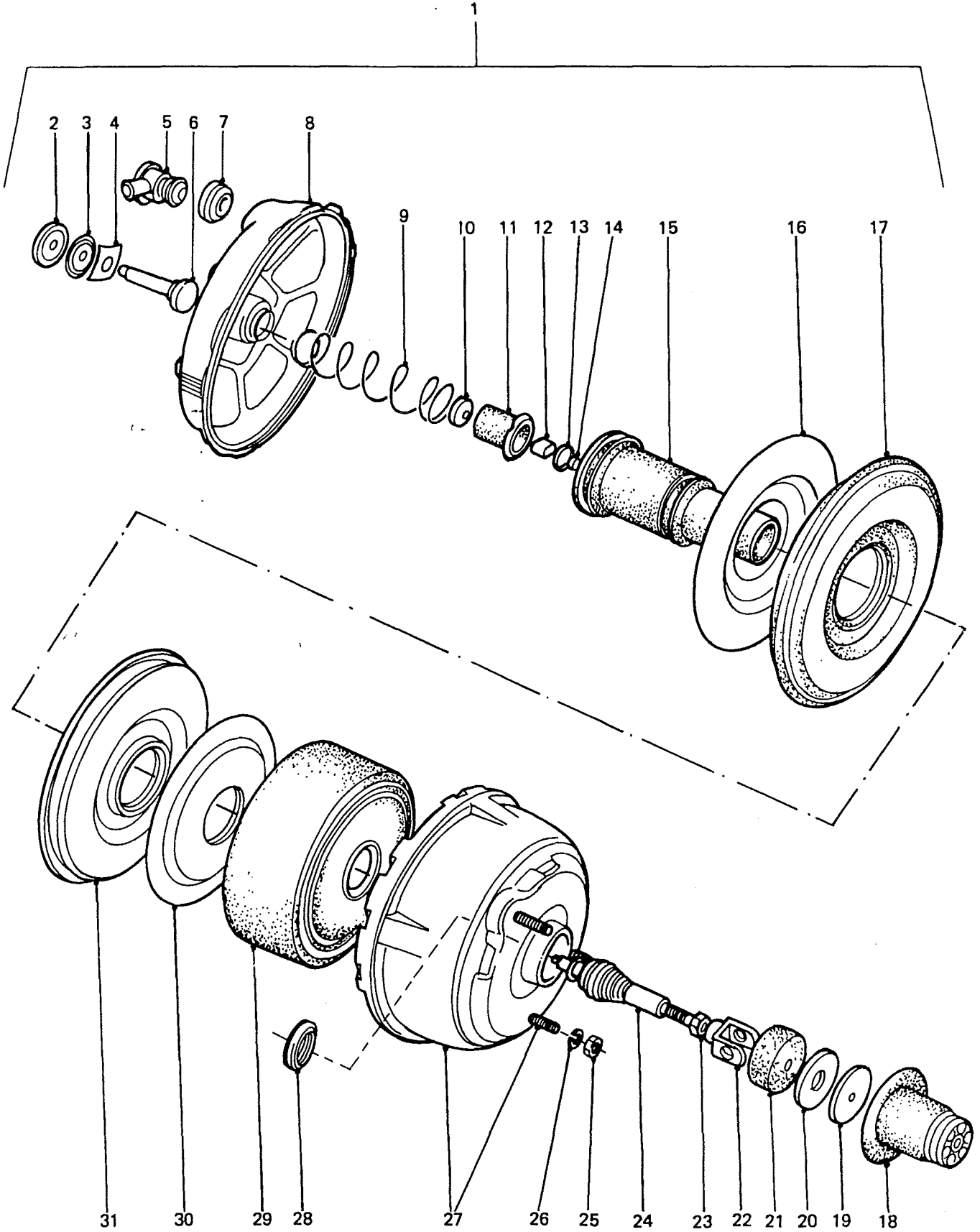
MBA/1/1 BRAKE MASTER CYLINDER

<u>ITEM</u>	<u>PART NO.</u>	<u>DESCRIPTION</u>	<u>NSN</u>	<u>DERIVATIVE CODE</u>									
				<u>2188</u>	<u>2189</u>	<u>2190</u>	<u>2191</u>	<u>2192</u>	<u>2194</u>	<u>2195</u>	<u>2207</u>	<u>CP</u>	
30	NSS	USE KIT HYL8634											
31	HYL8659	SWITCH-PRESSURE DIFFERENTIAL	5930-66-128-4753	1	1	1	1	1	1	1	1	1	
	HYL8634	REPAIR KIT-MASTER CYLINDER (INCL ITEMS 3,6,9,11,12,15,16,18,21 ,25,26,27,30)	2530-66-128-4299	1	1	1	1	1	1	1	1	1	
	HYL8656	REPAIR KIT-RESERVOIR (INCL ITEMS 2,3,4,12)	2530-66-128-4789	1	1	1	1	1	1	1	1	1	

CHANGE POINT

ARN INTRODUCTION

GROUP MBB

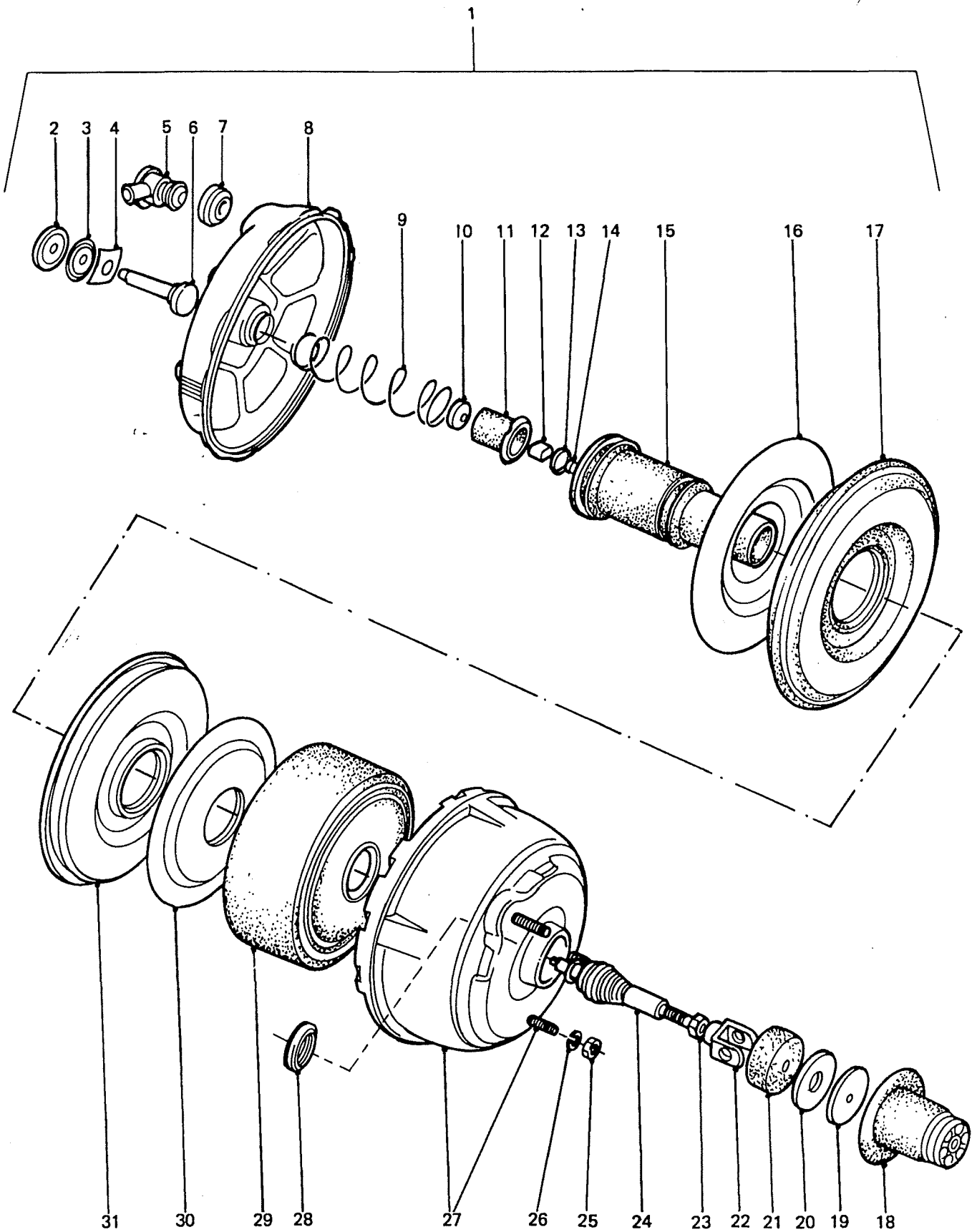


BRAKE SERVO ASSEMBLY

PERENTIE LAND ROVER PARTS LIST

ITEM	PART NO.	DESCRIPTION	NSN	DERIVATIVE CODE								
				2188	2189	2190	2191	2192	2194	2195	2207	CP
1	BYG2141	KIT-BRAKE SERVO & 30MM YOKE	2530-66-128-4594	1	1	1	1	1	1	1	1	1
2	NSS											
3	NSS											
4	NSS											
5	HYL8666	VALVE-SERVO		1	1	1	1	1	1	1	1	1
6	NSS											
7	NSS											
8	NSS											
9	NSS											
10	NSS											
11	NSS											
12	NSS											
13	NSS											
14	NSS											
15	NSS											
16	NSS											
17	NSS											
18	HYL8664	BRAKE SERVO BOOT	2530-66-128-5396	1	1	1	1	1	1	1	1	1
19	NSS											
20	NSS											
21	NSS											
22	BYG5384	YOKE-PUSH ROD-30MM LONG		1	1	1	1	1	1	1	1	1
23	NSS											
24	HYL8665	PUSH ROD		1	1	1	1	1	1	1	1	1
25	NH506041	NUT	5310-66-019-3967	3	3	3	3	3	3	3	3	3
26	WM600061L	WASHER-LOCK	5310-99-797-7195	3	3	3	3	3	3	3	3	3
27	NSS											
28	NSS											

GROUP MBB



BRAKE SERVO ASSEMBLY

PERENTIE LAND ROVER PARTS LIST

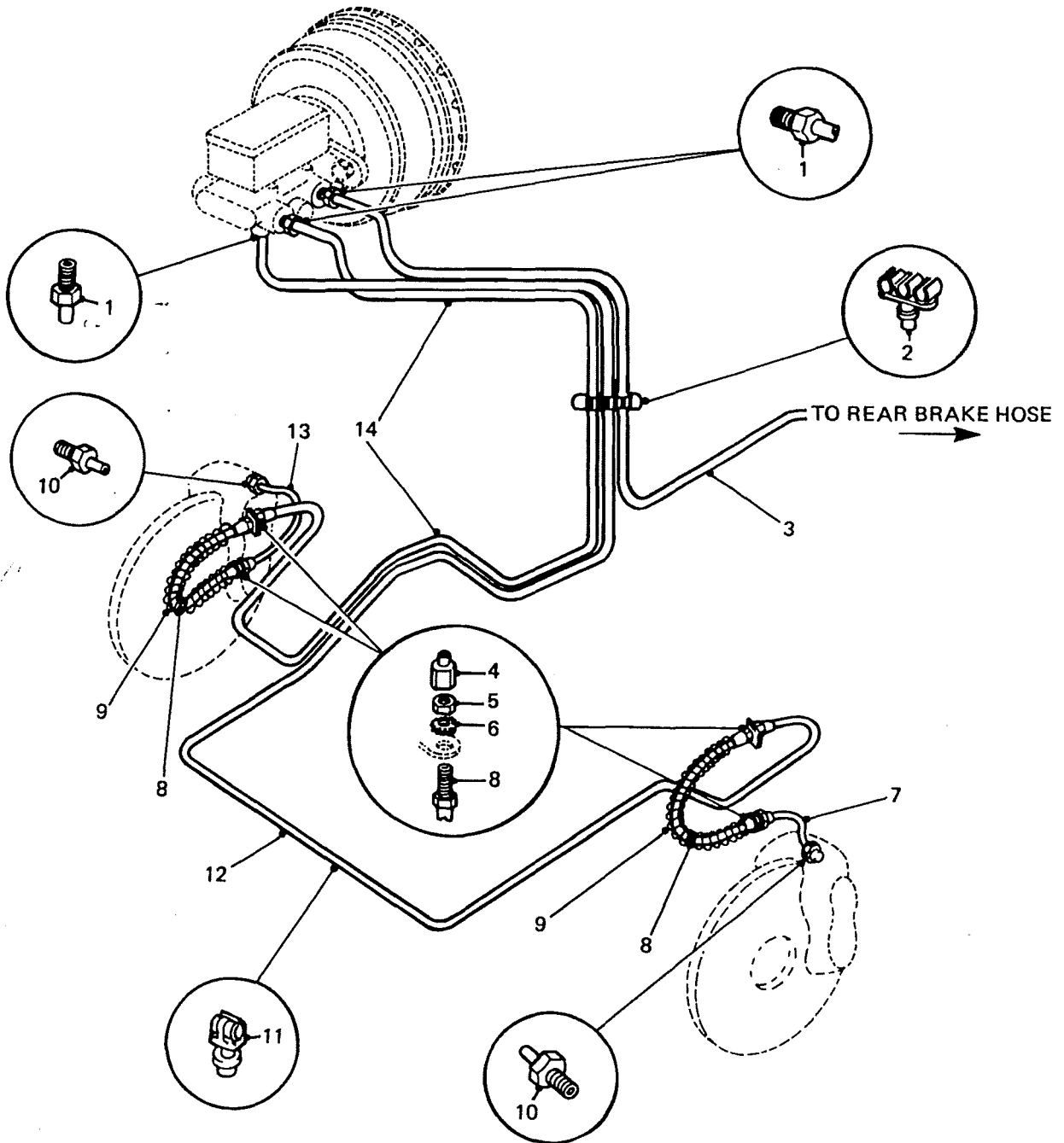
MBB/1/1 BRAKE SERVO ASSEMBLY

<u>ITEM</u>	<u>PART NO.</u>	<u>DESCRIPTION</u>	<u>NSN</u>	<u>DERIVATIVE CODE</u>									
				<u>2188</u>	<u>2189</u>	<u>2190</u>	<u>2191</u>	<u>2192</u>	<u>2194</u>	<u>2195</u>	<u>2207</u>	<u>CP</u>	
29	NSS												
30	NSS												
31	NSS												
	HYL8635	KIT-REPAIR (INCL 2,5,7, 10,13,14,17-19,21,24,28 ,29)	2530-66-128-4273	1	1	1	1	1	1	1	1	1	1
		FOR SERVO HOSES - SEE GROUP GE											

CHANGE POINT

ARN INTRODUCTION

GROUP MDA



HYDRAULIC LINES AND FITTINGS – FRONT

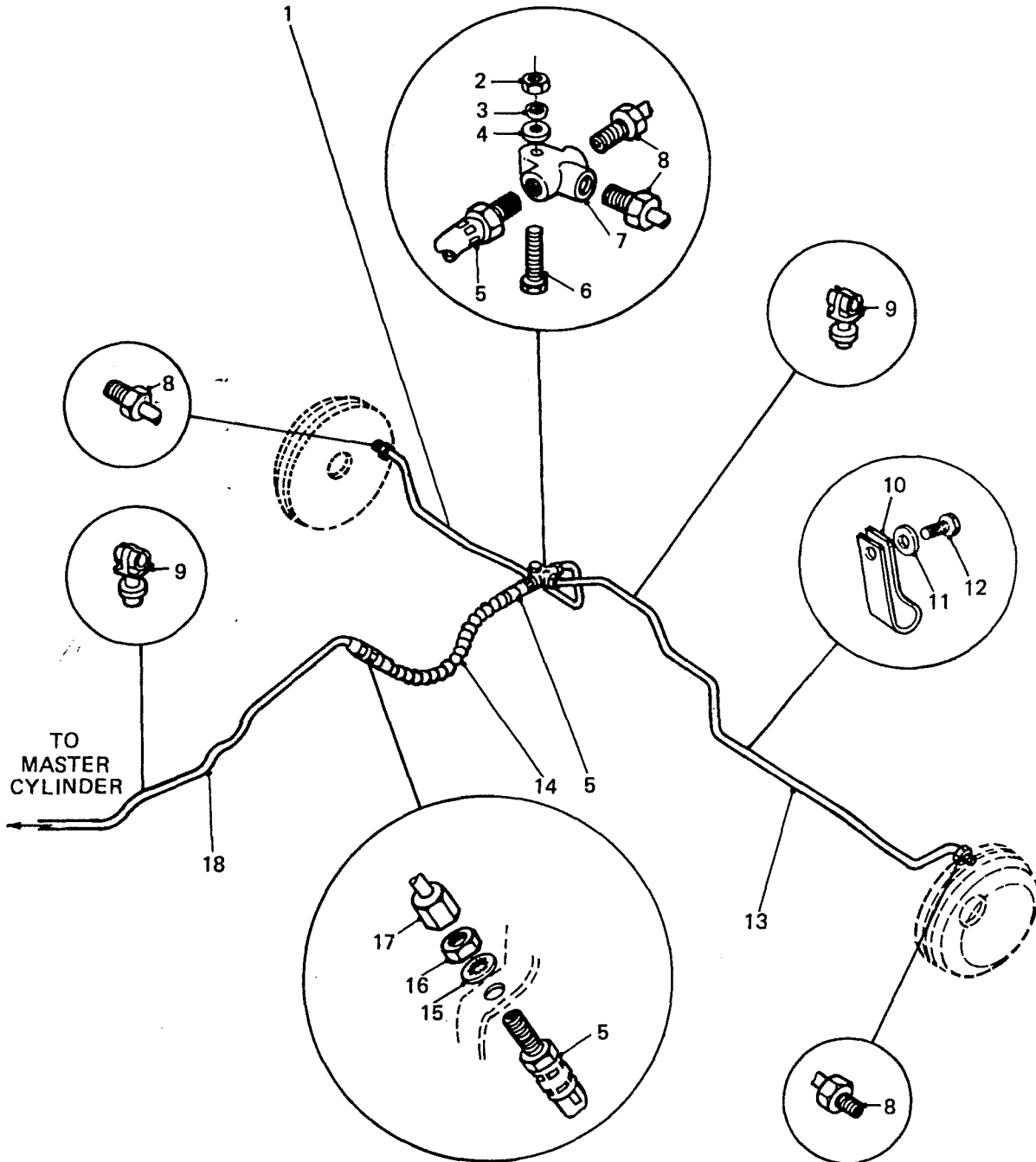
PERENTIE LAND ROVER PARTS LIST

ITEM	PART NO.	DESCRIPTION	NSN	DERIVATIVE CODE								
				2188	2189	2190	2191	2192	2194	2195	2207	CP
1	AYG5141	NUT-TUBE		3	3	3	3	3	3	3	3	
2	AFU1217	CLIP-PIPE	5340-66-128-4755	1	1	1	1	1	1	1	1	1
3	HYG2028	PIPE-BRAKE-M/CYLINDER TO REAR BRAKES	4710-66-128-4754	1	1	1	1	1	1	1	1	1
4	NSS											
5	CRC1487	LOCKNUT		4	4	4	4	4	4	4	4	4
6	WF110001L	WASHER-LOCK		4	4	4	4	4	4	4	4	4
7	NRC7799	PIPE-BRAKE-JUMP HOSE TO LH CALIPER	4710-66-128-4757	1	1	1	1	1	1	1	1	1
8	NRC7874	HOSE-BRAKE-FRONT	2530-99-786-7626	2	2	2	2	2	2	2	2	2
9	NSS											
10	NSS											
11	GHF1192	CLIP	2530-99-830-2724	8	8	8	8	8	8	8	8	8
12	HYG2030K	PIPE-BRAKE-M/CYLINDER TO LH FRONT BRAKE	4710-66-128-4758	1	1	1	1	1	1	1	1	1
13	NRC9575	PIPE-BRAKE-JUMP HOSE TO RH CALIPER	4710-66-128-4759	1	1	1	1	1	1	1	1	1
14	HYG2029	PIPE-BRAKE-M/CYLINDER TO RH FRONT BRAKE	4710-66-128-4760	1	1	1	1	1	1	1	1	1
	GHF1192	CLIP-BRAKE PIPE TO SHOCK ABSORBER TOWER	2530-99-830-2724	2	2	2	2	2	2	2	2	2

CHANGE POINT

ARN INTRODUCTION

GROUP MDB



HYDRAULIC LINES AND FITTINGS – REAR

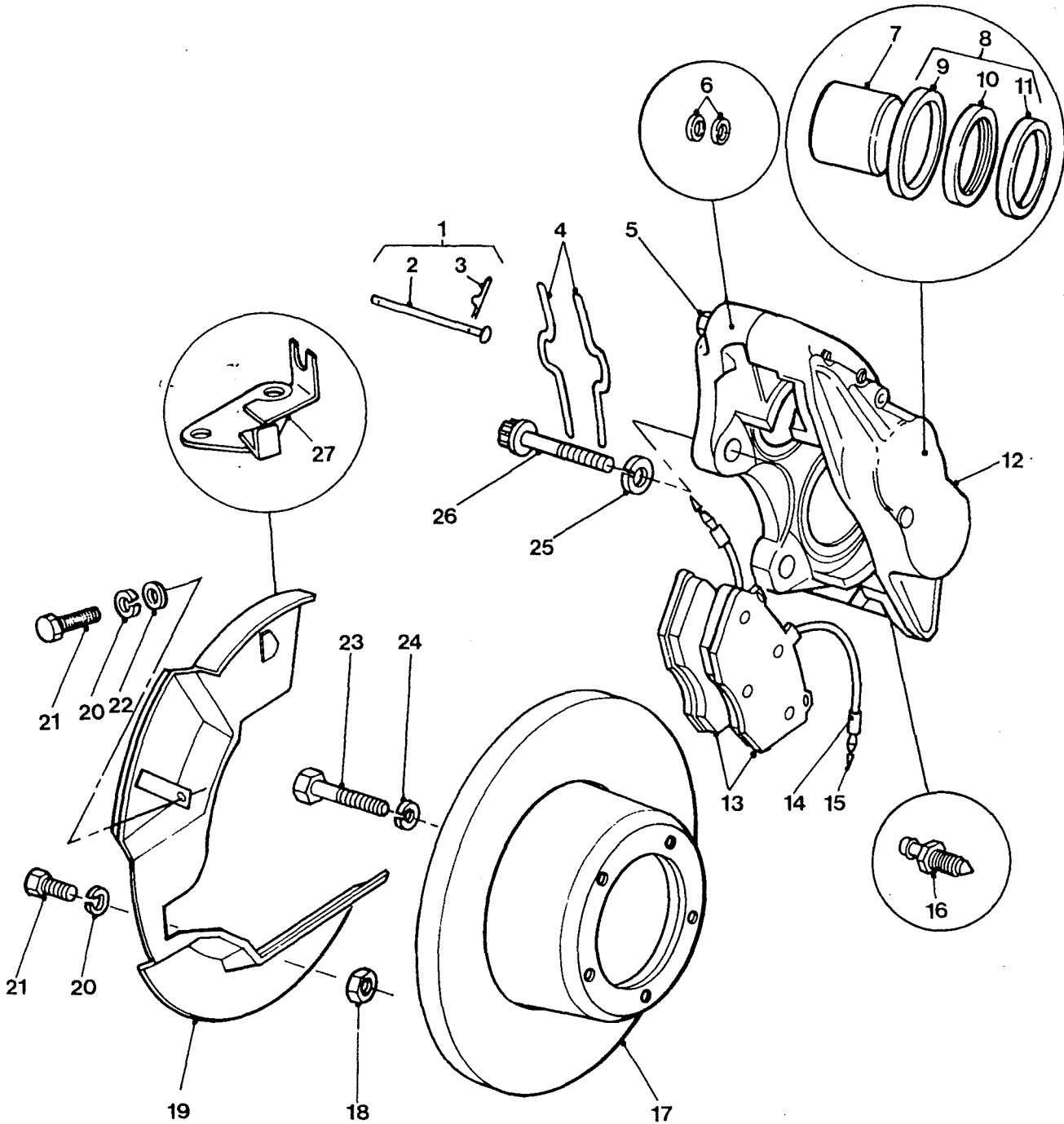
PERENTIE LAND ROVER PARTS LIST

ITEM	MDB/1/1 PART NO.	HYDRAULIC LINES AND FITTINGS - REAR DESCRIPTION	NSN	DERIVATIVE CODE								
				2188	2189	2190	2191	2192	2194	2195	2207 CP	
1	NRC7905	PIPE-REAR BRAKE-RH	4710-66-128-4761	1	1	1	1	1	1	1		
1	BYG5038	PIPE-REAR BRAKE-RH	4710-66-128-6141									1
2	NH106041L	NUT	5310-66-098-4401	1	1	1	1	1	1	1	1	1
3	WL106001L	WASHER-LOCK	5310-99-137-9232	1	1	1	1	1	1	1	1	1
4	WC106041L	WASHER-PLAIN	5310-99-122-3411	1	1	1	1	1	1	1	1	1
5	NRC9456	HOSE-ASSY-REAR BRAKE	2530-99-729-2951	1	1	1	1	1	1	1	1	1
6	BH106061L	BOLT	5306-99-122-5245	1	1	1	1	1	1	1	1	1
7	NRC4251	TEE PIECE	4730-99-838-2191	1	1	1	1	1	1	1	1	1
8	NSS											
9	GHF1192	CLIP	2530-99-830-2724	8	8	8	8	8	8	8	8	8
10	R577873	CLIP-PIPE		3	3	3	3	3	3	3	3	3
11	WC702101	WASHER-PLAIN	5310-99-941-6867	3	3	3	3	3	3	3	3	3
12	SL510031	SCREW		3	3	3	3	3	3	3	3	3
13	NTC4578	PIPE-REAR BRAKE-LH	4710-66-128-4763	1	1	1	1	1	1	1	1	
13	BYG5039	PIPE-REAR BRAKE-LH	4710-66-128-6142									1
14	NSS											
15	WF110001L	WASHER-LOCK		1	1	1	1	1	1	1	1	1
16	CRC1487	LOCKNUT		1	1	1	1	1	1	1	1	1
17	NSS											
18	HYG2028	PIPE-BRAKE-M/CYLINDER TO REAR BRAKES	4710-66-128-4754	1	1	1	1	1	1	1	1	1

CHANGE POINT

ARN INTRODUCTION

GROUP ME

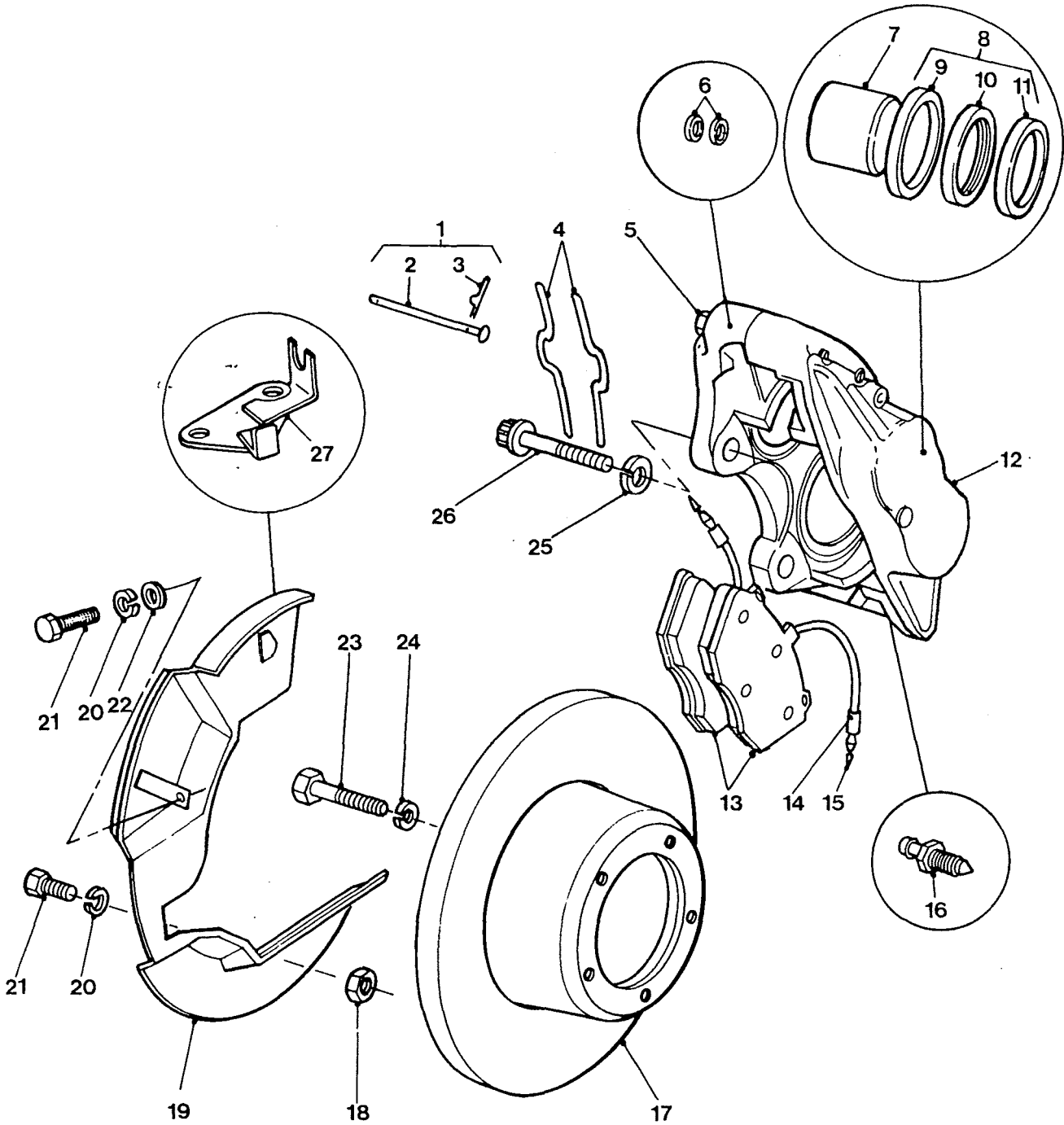


FRONT BRAKE - DISC

PERENTIE LAND ROVER PARTS LIST

ITEM	ME /1/1 PART NO.	FRONT BRAKES - DISC DESCRIPTION	NSN	DERIVATIVE CODE							
				2188	2189	2190	2191	2192	2194	2195	2207 CP
1	RTC5001	KIT-RETAINER	2530-99-729-6649	2	2	2	2	2	2	2	2
2	NSS										
3	NSS										
4	HYL8668	SPRING-RETENTION	5340-66-128-6025	2	2	2	2	2	2	2	2
5	NSS										
6	17H8764L	SEAL	5330-99-825-1755	4	4	4	4	4	4	4	4
7	STC201	PISTON-CALIPER		4	4	4	4	4	4	4	4
8	AEU2539	KIT-CALIPER	2530-99-797-7061	2	2	2	2	2	2	2	2
9	NSS										
10	NSS										
11	NSS										
12	RTC5572	CALIPER-RH	2530-66-128-4815	1	1	1	1	1	1	1	1
12	RTC5573	CALIPER-LH	2530-66-128-4804	1	1	1	1	1	1	1	1
13	HYL8655	BRAKE PAD SET	2530-66-128-4289	1	1	1	1	1	1	1	1
14	NSS										
15	NSS										
16	RTC1526	BLEEDER SCREW	2530-99-830-2733	2	2	2	2	2	2	2	2
17	FRC7329	BRAKE DISC	2530-99-786-7625	2	2	2	2	2	2	2	2
18	NH106041L	NUT	5310-66-098-4401	2	2	2	2	2	2	2	2
19	FRC6402	MUDSHIELD-RH	2530-99-797-7066	1	1	1	1	1	1	1	1
19	FRC6403	MUDSHIELD-LH	2530-99-797-7067	1	1	1	1	1	1	1	1
20	WL106001L	WASHER-LOCK	5310-99-137-9232	4	4	4	4	4	4	4	4
21	SH106121L	SCREW	5305-99-122-5359	4	4	4	4	4	4	4	4
22	WA106041L	WASHER-PLAIN	5310-66-098-4440	2	2	2	2	2	2	2	2
23	AFU1180	BOLT	5306-99-734-5821	10	10	10	10	10	10	10	10
24	WL110001L	WASHER-LOCK	5310-99-138-9228	10	10	10	10	10	10	10	10
25	WL112001L	WASHER-LOCK	5310-66-128-5111	4	4	4	4	4	4	4	4
26	AFU1031	BOLT		4	4	4	4	4	4	4	4
27	AYG4356	BRACKET-RH		1	1	1	1	1	1	1	1

GROUP ME

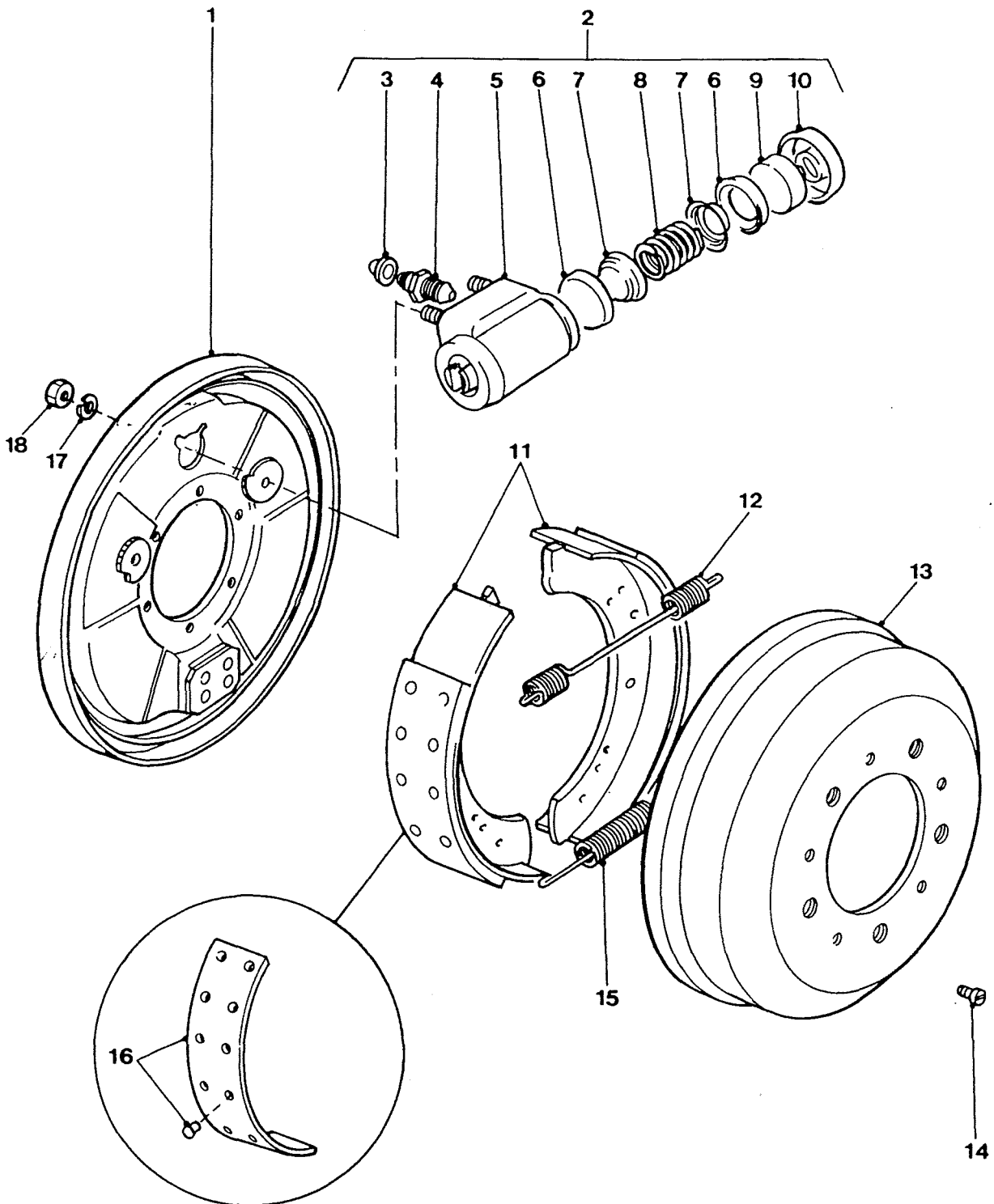


FRONT BRAKE - DISC

PERENTIE LAND ROVER PARTS LIST

<u>ME /1/1</u>		<u>FRONT BRAKES - DISC</u>			<u>DERIVATIVE CODE</u>							
<u>ITEM</u>	<u>PART NO.</u>	<u>DESCRIPTION</u>	<u>NSN</u>	<u>2188</u>	<u>2189</u>	<u>2190</u>	<u>2191</u>	<u>2192</u>	<u>2194</u>	<u>2195</u>	<u>2207</u>	<u>CP</u>
27	AYG4357	BRACKET-LH		1	1	1	1	1	1	1	1	1
<u>CHANGE POINT</u>		<u>ARN INTRODUCTION</u>										

GROUP MEA



REAR BRAKE - DRUM

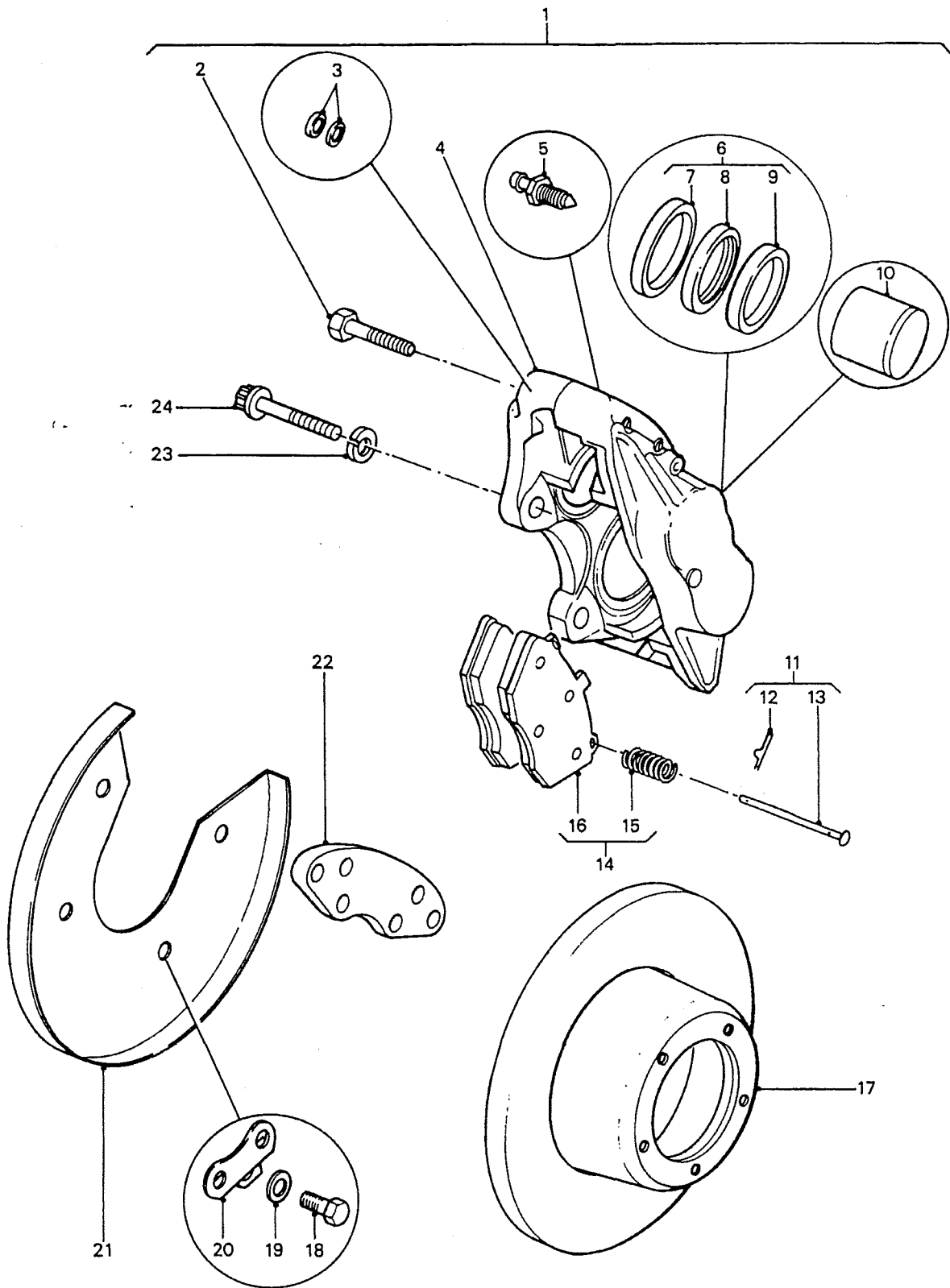
PERENTIE LAND ROVER PARTS LIST

ITEM	MEA/1/1 PART NO.	REAR BRAKES - DRUM DESCRIPTION	NSN	DERIVATIVE CODE							
				2188	2189	2190	2191	2192	2194	2195	2207 CP
1	AEU2496	BACKPLATE-RH	2530-99-797-4653	1	1	1	1	1	1	1	1
1	AEU2497	BACKPLATE-LH	2530-99-797-4654	1	1	1	1	1	1	1	1
2	RTC3626	WHEEL CYLINDER-RH	2530-99-786-7629	1	1	1	1	1	1	1	1
2	RTC3627	WHEEL CYLINDER-LH	2530-99-786-7630	1	1	1	1	1	1	1	1
3	R234957	DUST COVER		2	2	2	2	2	2	2	2
4	R608400	SCREW-BLEED	2530-99-833-7437	2	2	2	2	2	2	2	2
5	NSS										
6	NSS										
7	R242117	WASHER	2530-99-836-5286	4	4	4	4	4	4	4	4
8	NSS										
9	NSS										
10	NSS										
11	RTC3418AF	BRAKE SHOE	2530-66-139-0076	1	1	1	1	1	1	1	1
12	R548169	SPRING	2530-99-882-0420	2	2	2	2	2	2	2	2
13	R576973	BRAKE DRUM	2530-99-820-5481	2	2	2	2	2	2	2	2
14	SA108161	SCREW	5305-99-135-0268	2	2	2	2	2	2	2	2
15	R531893	SPRING	2530-99-805-8972	2	2	2	2	2	2	2	2
16	STC2795	LINING SET-BRAKE	2530-99-765-7521	1	1	1	1	1	1	1	1
17	WM600051L	WASHER-LOCK	5310-66-016-5980	4	4	4	4	4	4	4	4
18	NH605041L	NUT	5310-99-136-1515	4	4	4	4	4	4	4	4
	AEU2498	KIT-REPAIR-WHEEL CYLINDER	2530-99-797-4664	1	1	1	1	1	1	1	1
	RTC3176	KIT-ADJUSTER	2530-99-839-5402	1	1	1	1	1	1	1	1

CHANGE POINT

ARN INTRODUCTION

GROUP MEB



**REAR BRAKES – DISC
RFSV ONLY**

PERENTIE LAND ROVER PARTS LIST

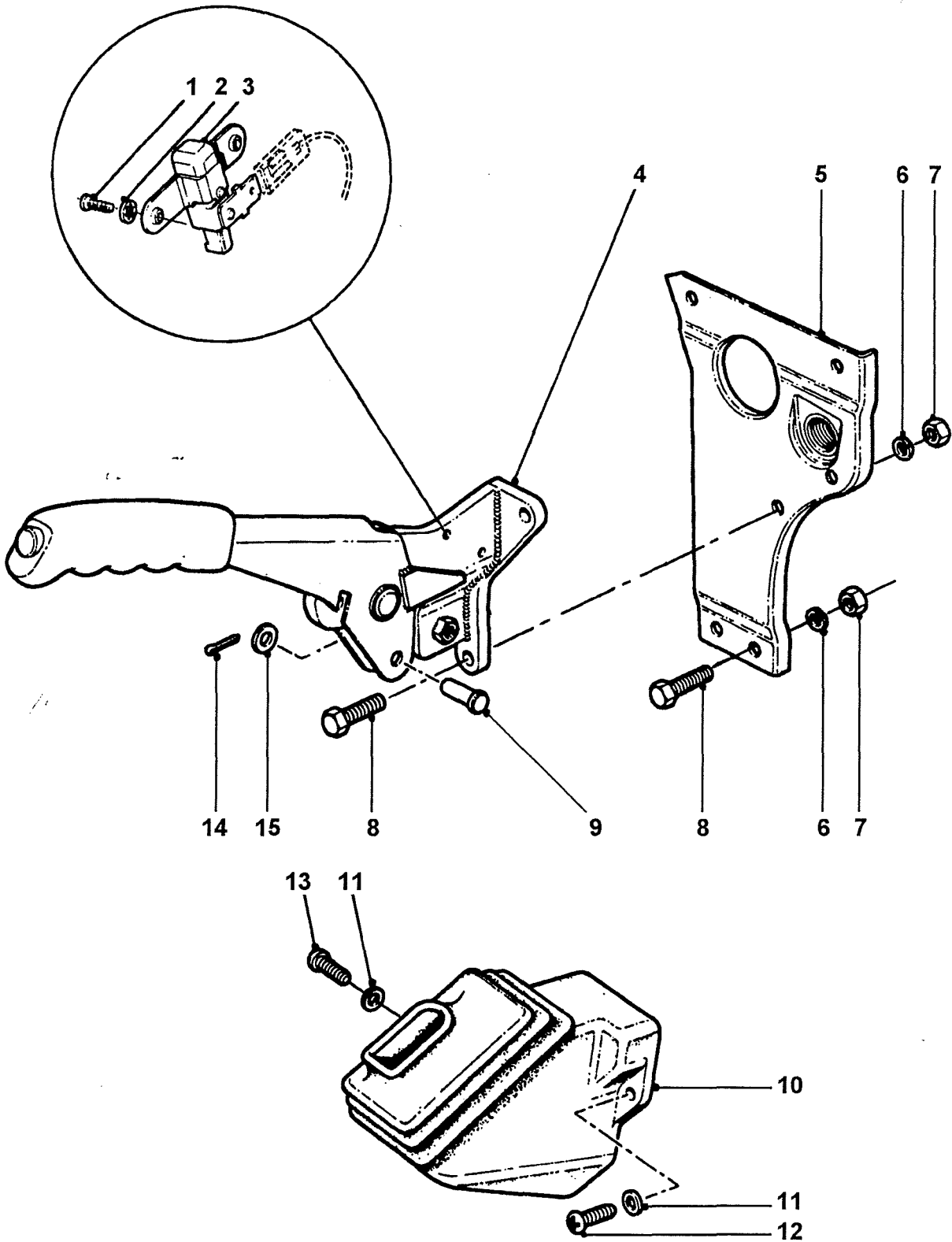
<u>ITEM</u>	<u>PART NO.</u>	<u>DESCRIPTION</u>	<u>NSN</u>	<u>DERIVATIVE CODE</u>							<u>CP</u>	
				<u>2188</u>	<u>2189</u>	<u>2190</u>	<u>2191</u>	<u>2192</u>	<u>2194</u>	<u>2195</u>		<u>2207</u>
1	RTC4999	CALIPER-RH (INCL. ITEMS 2-10)	2530-99-767-0609									1
	RTC4998	CALIPER-LH (INCL. ITEMS 2-10)	2530-99-767-0608									1
2	NSS											
3	17H8764L	SEAL	5330-99-825-1755									2
4	NSS											
5	RTC1526	BLEEDER SCREW	2530-99-830-2733									1
6	AEU1547	KIT-CALIPER (INCL. ITEMS 7 TO 9)	2530-99-767-9800									1
7	NSS											
8	NSS											
9	NSS											
10	R606683	PISTON-CALIPER										4
11	RTC5001	KIT-RETAINER	2530-99-729-6649									1
12	NSS											
13	NSS											
14	HYM443	KIT-BRAKE PADS	2530-66-128-6003									1
15	MYH3609	SPRING-PADS										4
16	NSS											
17	FRC7329	BRAKE DISC	2530-99-786-7625									2
	FRC7257	BOLT-DISC TO HUB										10
	WL110001L	WASHER-LOCK	5310-99-138-9228									10
18	SH110201L	SCREW	5305-99-122-4909									6
19	WL110001L	WASHER-LOCK	5310-99-138-9228									6
20	AYG7310	SPACER-SHIELD	5365-66-128-6004									2
21	AYG7302	SHIELD-DUST	2530-66-128-6005									2
22	AYG7308	MOUNTING-BRAKE CALIPER										2
23	WL112001L	WASHER-LOCK	5310-66-128-5111									4
24	SS112350	SCREW										4

CHANGE POINT

ARN INTRODUCTION

Dec 1999

GROUP MF



HANDBRAKE LEVER AND SWITCH

PERENTIE LAND ROVER PARTS LIST

ITEM	MF /1/1 PART NO.	HANDBRAKE LEVER AND SWITCH DESCRIPTION	NSN	DERIVATIVE CODE								CP	
				2188	2189	2190	2191	2192	2194	2195	2207		
1	SP104121	SCREW	5305-99-135-0423	2	2	2	2	2	2	2	2	2	
2	WF104001L	WASHER-LOCK	5310-99-977-1867	2	2	2	2	2	2	2	2	2	
3	ADU2888L	SWITCH-HANDBRAKE	5930-66-128-4764	1	1	1	1	1	1	1	1	1	
4	NTC1563	HANDBRAKE ASSY		1	1	1	1	1	1	1	1	1	
5	HYG2646	STIFFENER-HEELBOARD		1	1	1	1	1	1	1	1	1	
6	WL108001L	WASHER-LOCK	5310-99-137-9231	5	5	5	5	5	5	5	5	5	
7	FN108041	NUT	5310-99-499-8033	5	5	5	5	5	5	5	5	5	
8	FS108251	SCREW	5305-99-122-5367	5	5	5	5	5	5	5	5	5	
9	PC108291	PIN-CLEVIS	5315-99-796-7513	1	1	1	1	1	1	1	1	1	
10	MRC9570	COVER H/BRAKE	2530-99-720-8147	1	1	1	1	1	1	1	1	1	
11	WA105001L	WASHER-PLAIN	5310-99-122-3032	3	3	3	3	3	3	3	3	3	
12	AB608044L	SCREW	5305-99-977-3255	2	2	2	2	2	2	2	2	2	
13	SE105201L	SCREW	5305-66-128-4766	1	1	1	1	1	1	1	1	1	
14	PS104121L	SPLIT PIN	5315-66-128-5104	1	1	1	1	1	1	1	1	1	
15	WA108051L	WASHER-PLAIN	5310-99-122-6475	1	1	1	1	1	1	1	1	1	
	NRC2744	GRIP H/BRAKE		1	1	1	1	1	1	1	1	1	
	PRC4442	LEAD-HANDBRAKE SWITCH		1	1	1	1	1	1	1	1	1	
	NRC7984	MOUNTING		1	1	1	1	1	1	1	1	1	01
		BRKT-HANDBRAKE											
	NRC6795	SEAL-ABUTMENT PLATE		1	1	1	1	1	1	1	1	1	01
	HYG5595	STIFFENER-HANDBRAKE		1	1	1	1	1	1	1	1	1	01
	FS108201	SCREW		1	1	1	1	1	1	1	1	1	01
	WL108001L	WASHER-LOCK	5310-99-137-9231	1	1	1	1	1	1	1	1	1	01
	FN108041	NUT	5310-99-499-8033	1	1	1	1	1	1	1	1	1	01

CHANGE POINT

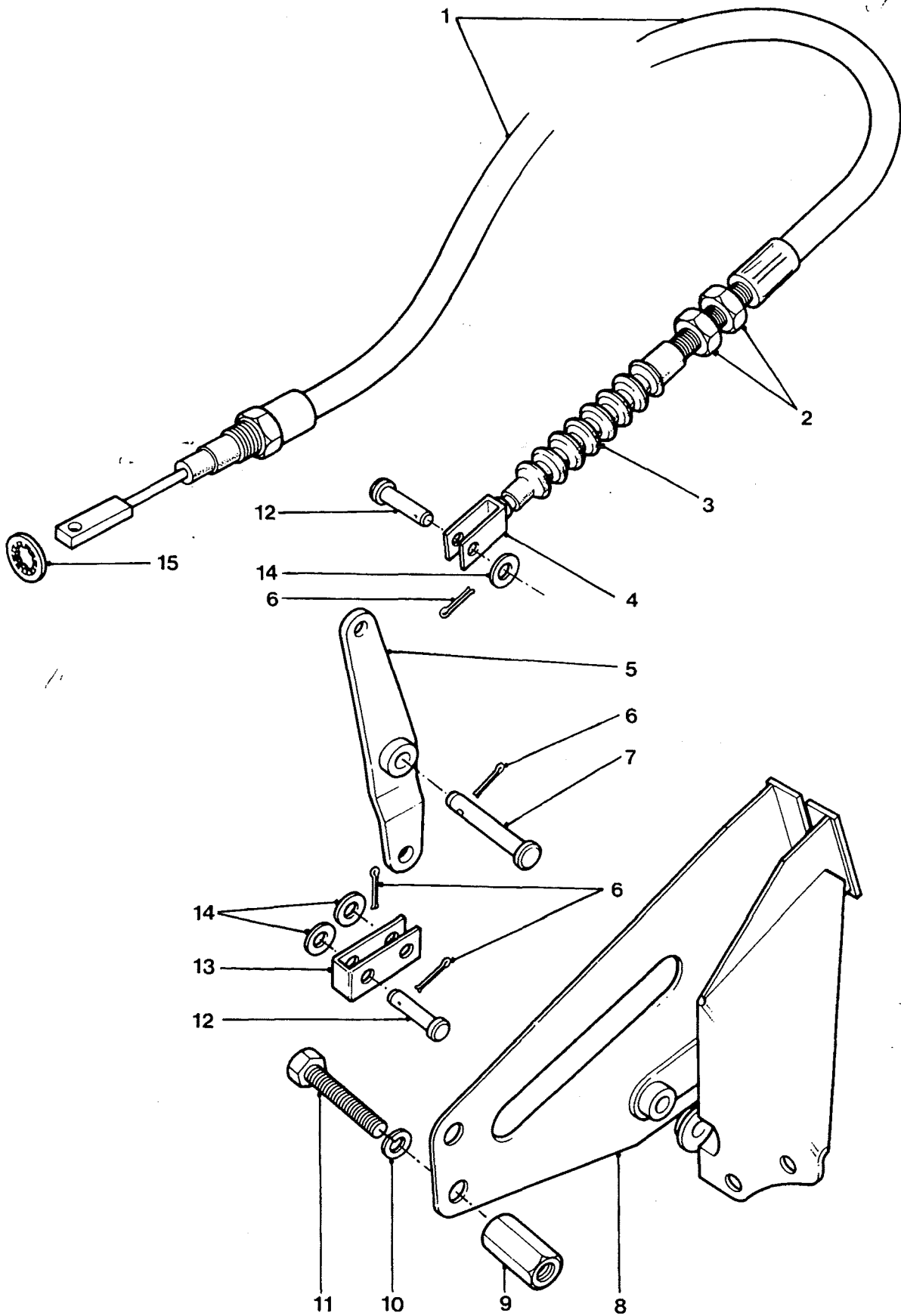
1

ARN INTRODUCTION

51-500-SOFT TOP-FFR

Dec 1999

GROUP MFA



HANDBRAKE CABLE AND CARRIER

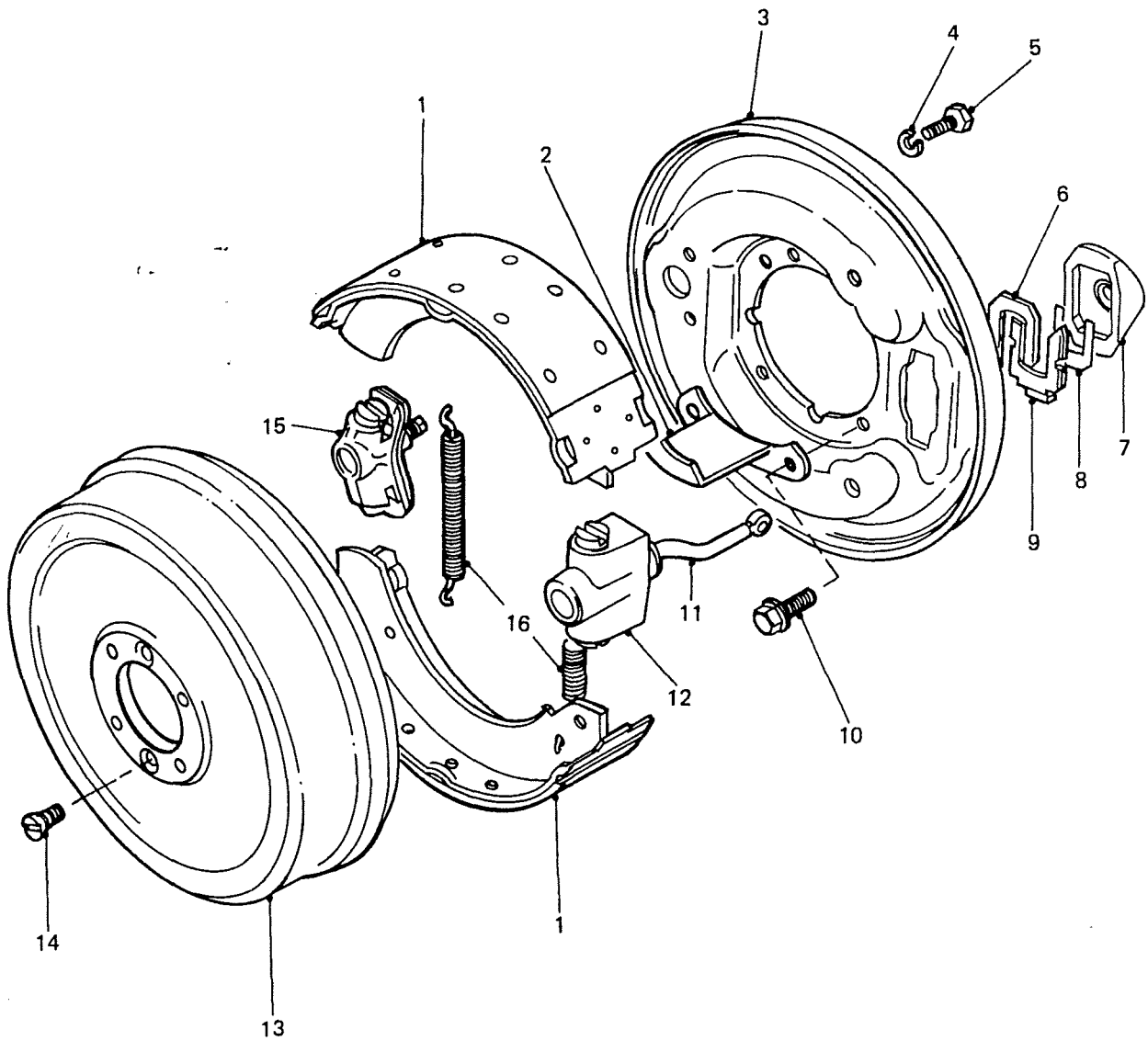
PERENTIE LAND ROVER PARTS LIST

ITEM	PART NO.	DESCRIPTION	NSN	DERIVATIVE CODE							
				2188	2189	2190	2191	2192	2194	2195	2207 CP
1	NTC3480	CABLE-ASSY	2590-66-128-4819	1	1	1	1	1	1	1	1
2	NSS										
3	NSS										
4	NSS										
5	NRC7044	LEVER		1	1	1	1	1	1	1	1
6	PS104121L	SPLIT PIN	5315-66-128-5104	4	4	4	4	4	4	4	4
7	NRC5104	PIN	5315-99-722-6369	1	1	1	1	1	1	1	1
8	NRC5110	CARRIER ASSY		1	1	1	1	1	1	1	1
9	NSS										
10	WM600061L	WASHER-LOCK	5310-99-797-7195	2	2	2	2	2	2	2	2
11	SH606061L	SCREW		2	2	2	2	2	2	2	2
12	PC106291	PIN-CLEVIS	5315-66-128-5107	2	2	2	2	2	2	2	2
13	NRC7648	CLEVIS		1	1	1	1	1	1	1	1
14	WA108051L	WASHER-PLAIN	5310-99-122-6475	2	2	2	2	2	2	2	2
15	WF116001L	WASHER-LOCK		1	1	1	1	1	1	1	1
16	PS104161	SPLIT PIN	5315-99-138-2203	1	1	1	1	1	1	1	1

CHANGE POINT

ARN INTRODUCTION

GROUP MFB



TRANSMISSION HANDBRAKE

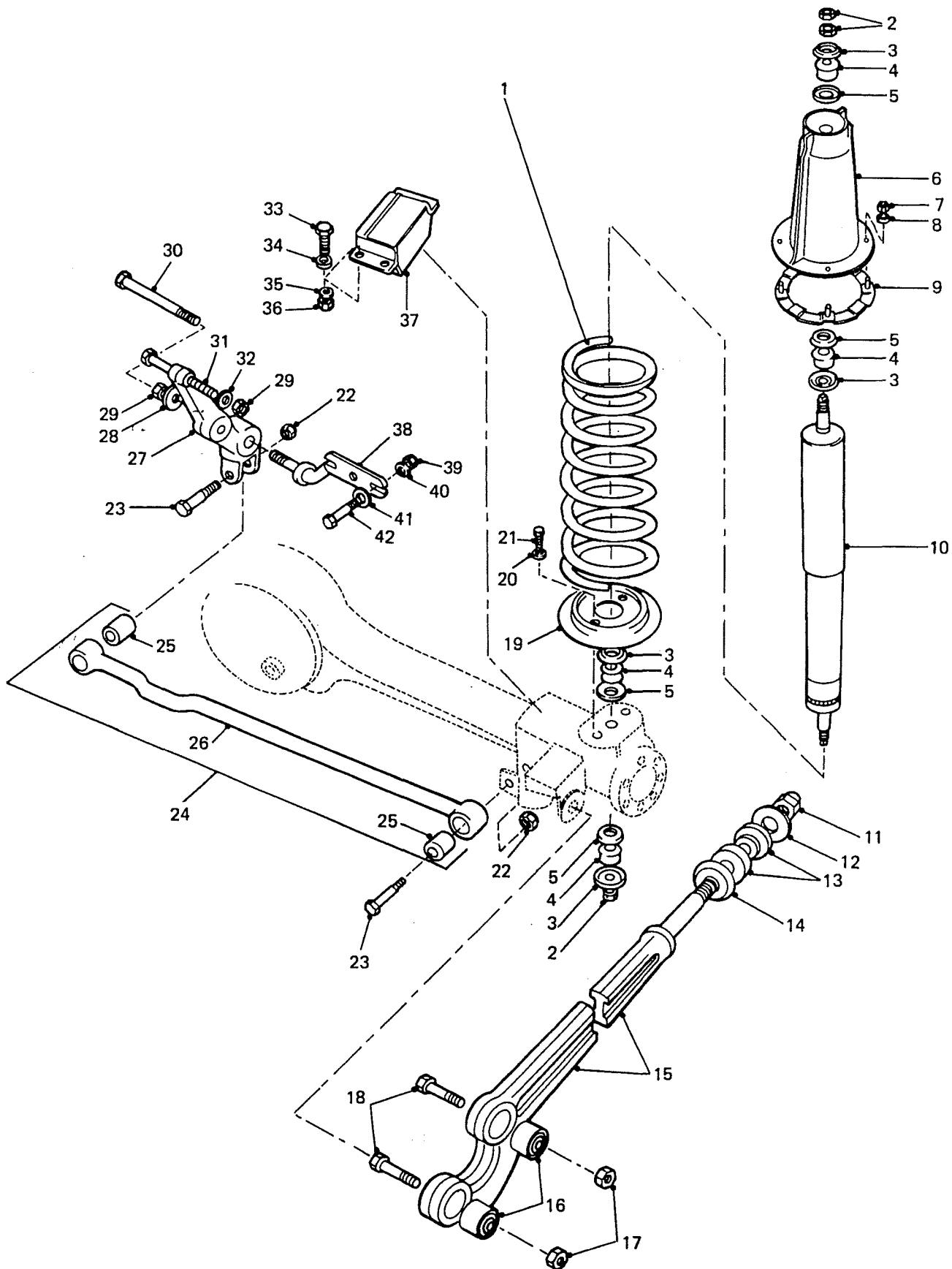
PERENTIE LAND ROVER PARTS LIST

<u>ITEM</u>	<u>MFB/1/1</u> <u>PART NO.</u>	<u>TRANSMISSION HANDBRAKE</u> <u>DESCRIPTION</u>	<u>NSN</u>	<u>DERIVATIVE CODE</u>								<u>CP</u>
				<u>2188</u>	<u>2189</u>	<u>2190</u>	<u>2191</u>	<u>2192</u>	<u>2194</u>	<u>2195</u>	<u>2207</u>	
1	STC2990	BRAKE SHOE SET	2530-99-798-0214	1	1	1	1	1	1	1	1	1
2	FRC8093	OIL CATCHER		1	1	1	1	1	1	1	1	1
3	AEU2733	BACK PLATE		1	1	1	1	1	1	1	1	1
4	AEU2738	WASHER	5310-99-730-3104	2	2	2	2	2	2	2	2	2
5	AEU2737	BOLT	5306-99-730-3103	2	2	2	2	2	2	2	2	2
6	R515468	SPRING	2530-99-833-8935	1	1	1	1	1	1	1	1	1
7	R515466	BOOT	2530-99-836-5020	1	1	1	1	1	1	1	1	1
8	R515470	PACKING PLATE	2530-99-833-8934	1	1	1	1	1	1	1	1	1
9	R515467	PLATE	2530-99-833-8933	1	1	1	1	1	1	1	1	1
10	AFU1400	BOLT	5306-99-730-3102	4	4	4	4	4	4	4	4	4
11	AEU2736	DRAW LINK		1	1	1	1	1	1	1	1	1
12	AEU2734	EXPANDER ASSY	2530-99-798-0208	1	1	1	1	1	1	1	1	1
13	FRC3502	BRAKE DRUM	2530-99-798-0216	1	1	1	1	1	1	1	1	1
14	SA108201L	SCREW	5305-99-135-0269	2	2	2	2	2	2	2	2	2
15	37H4558L	ADJUSTER ASSY	2530-99-836-4722	1	1	1	1	1	1	1	1	1
16	FRC8549	SPRING		2	2	2	2	2	2	2	2	2
	AEU2735	KIT EXPANDER	2530-99-798-0209	1	1	1	1	1	1	1	1	1
	8G7019L	KIT-SERVICE ADJUSTER	2530-99-798-0211	1	1	1	1	1	1	1	1	1

CHANGE POINT

ARN INTRODUCTION

GROUP NA

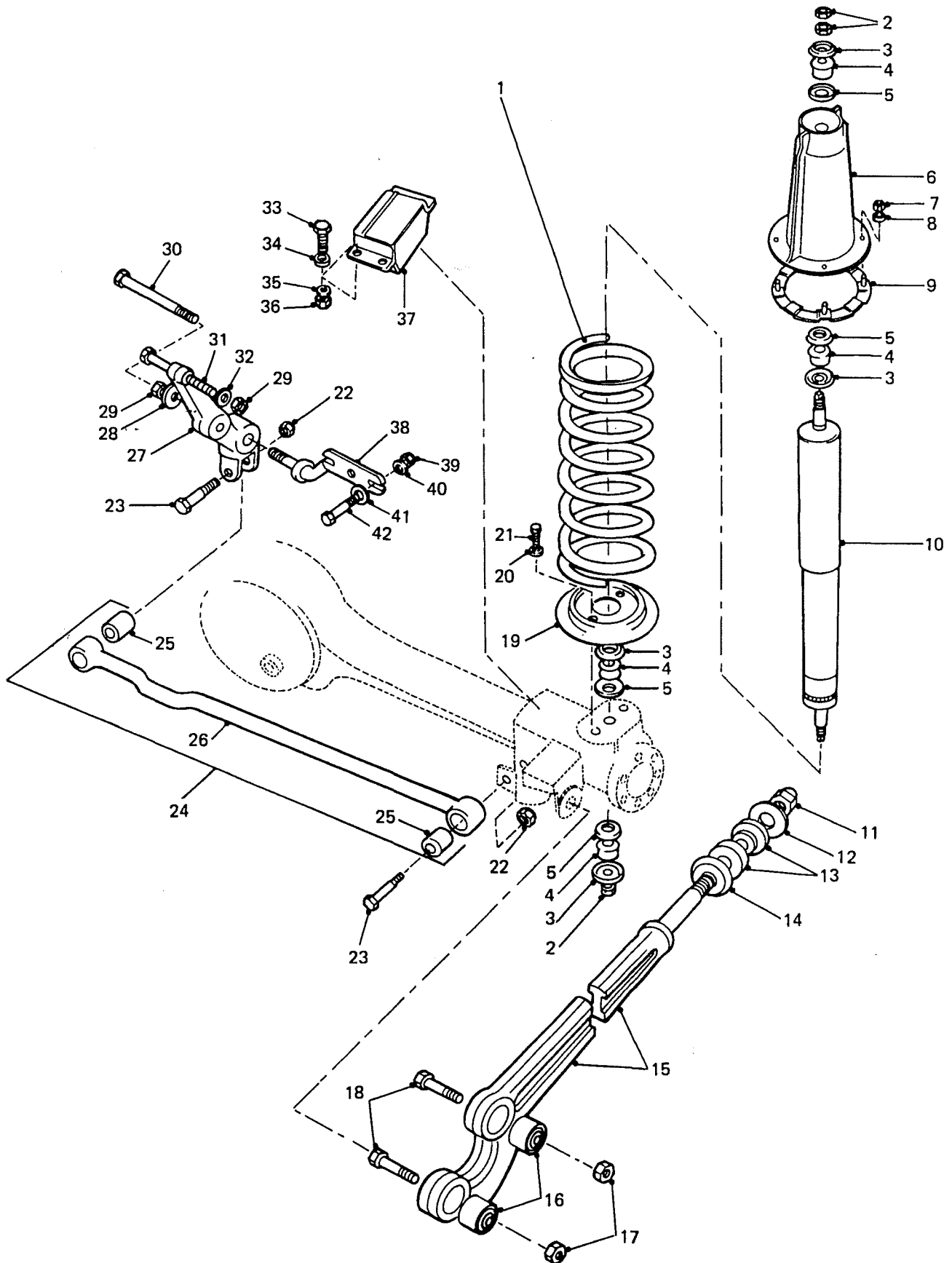


FRONT SUSPENSION

PERENTIE LAND ROVER PARTS LIST

ITEM	PART NO.	DESCRIPTION	NSN	DERIVATIVE CODE							
				2188	2189	2190	2191	2192	2194	2195	2207 CP
1	AYG4176	SPRING-FRONT	5360-66-128-4835	2	2	2	2	2	2	2	
1	AYG4177	SPRING-FRONT-RFSV ONLY	5360-66-128-5670								2
2	NV608041	NUT-LOCK	5310-99-972-1306	2	2	2	2	2	2	2	2
2	NT608041L	NUT	5310-99-948-2562	4	4	4	4	4	4	4	4
3	R500746	WASHER	2540-99-800-7370	8	8	8	8	8	8	8	8
4	R552818	BUSH-S/ABSORBER	5340-99-800-7372	8	8	8	8	8	8	8	8
5	NRC4365	WASHER-GUIDE	5310-99-977-1726	8	8	8	8	8	8	8	8
6	AYG4255	TOWER-MOUNTING		2	2	2	2	2	2	2	2
7	NH605041L	NUT	5310-99-136-1515	8	8	8	8	8	8	8	8
8	WM600051L	WASHER-LOCK	5310-66-016-5980	8	8	8	8	8	8	8	8
9	R572087	SECURING RING	2540-99-720-8126	2	2	2	2	2	2	2	2
10	BYG4001	SHOCK ABSORBER	2510-66-128-4243	2	2	2	2	2	2	2	2
11	NY120041L	NUT-LOCK	5310-99-122-5504	2	2	2	2	2	2	2	2
12	NRC4516	WASHER-PLAIN	5310-66-128-4837	2	2	2	2	2	2	2	2
13	NRC4514	BUSH	5365-99-720-8115	4	4	4	4	4	4	4	4
14	NRC4515	DISHED WASHER	5310-99-720-8116	2	2	2	2	2	2	2	2
15	NTC2705	RADIUS ARM ASSY	2530-66-130-2059	2	2	2	2	2	2	2	2
16	NTC7307	BUSH-RADIUS ARM	5340-99-732-5865	4	4	4	4	4	4	4	4
17	NY610041L	NUT-NYLOC	5310-66-128-4836	4	4	4	4	4	4	4	4
18	BH610281L	BOLT	5306-99-941-0364	4	4	4	4	4	4	4	4
19	NRC9700	SEAT-SPRING		2	2	2	2	2	2	2	2
20	WM600061L	WASHER-LOCK	5310-99-797-7195	4	4	4	4	4	4	4	
20	WM110001L	WASHER-LOCK		4	4	4	4	4	4	4	4 01
21	SH606061L	SCREW		4	4	4	4	4	4	4	
21	FS110301	SCREW		4	4	4	4	4	4	4	4 01
22	NY114041L	NUT-NYLOC	5310-99-137-2108	2	2	2	2	2	2	2	2
23	AYG6093	BOLT-PAN ROD	5306-66-128-4853	2	2	2	2	2	2	2	2

GROUP NA



FRONT SUSPENSION

PERENTIE LAND ROVER PARTS LIST

ITEM	PART NO.	DESCRIPTION	NSN	DERIVATIVE CODE								
				2188	2189	2190	2191	2192	2194	2195	2207	CP
24	NRC9729	PANHARD ROD	2590-99-775-5906	1	1	1	1	1	1	1	1	1
25	ANR3410	BUSH-PANHARD ROD	5365-99-730-9598	2	2	2	2	2	2	2	2	2
26	NSS											
27	NRC5764	ARM-MOUNTING	2530-99-720-8118	1	1	1	1	1	1	1	1	1
28	R4905	WASHER-PLAIN	5310-99-138-0364	1	1	1	1	1	1	1	1	1
29	NY608041L	NUT-NYLOC	5310-99-943-4300	3	3	3	3	3	3	3	3	3
30	R253948	BOLT	5306-99-941-1675	1	1	1	1	1	1	1	1	1
31	R253948	BOLT	5306-99-941-1675	1	1	1	1	1	1	1	1	1
32	WC112081L	WASHER-PLAIN	5310-99-122-6477	2	2	2	2	2	2	2	2	2
33	FS108201	SCREW		4	4	4	4	4	4	4	4	4
34	WA108051L	WASHER-PLAIN	5310-99-122-6475	4	4	4	4	4	4	4	4	4
35	WL108001L	WASHER-LOCK	5310-99-137-9231	4	4	4	4	4	4	4	4	4
36	FN108041	NUT	5310-99-499-8033	4	4	4	4	4	4	4	4	4
37	R575707	BUMP RUBBER	5340-99-825-5756	2	2	2	2	2	2	2	2	2
38	R594947	TIE-BAR	2530-99-825-5789	1	1	1	1	1	1	1	1	1
39	NY607041L	NUT-NYLOC	5310-66-010-7826	2	2	2	2	2	2	2	2	2
40	R217245	WASHER	5310-99-138-0321	2	2	2	2	2	2	2	2	2
41	R3261L	WASHER	5310-99-138-0262	2	2	2	2	2	2	2	2	2
42	R253963	BOLT	5306-99-138-0261	2	2	2	2	2	2	2	2	2

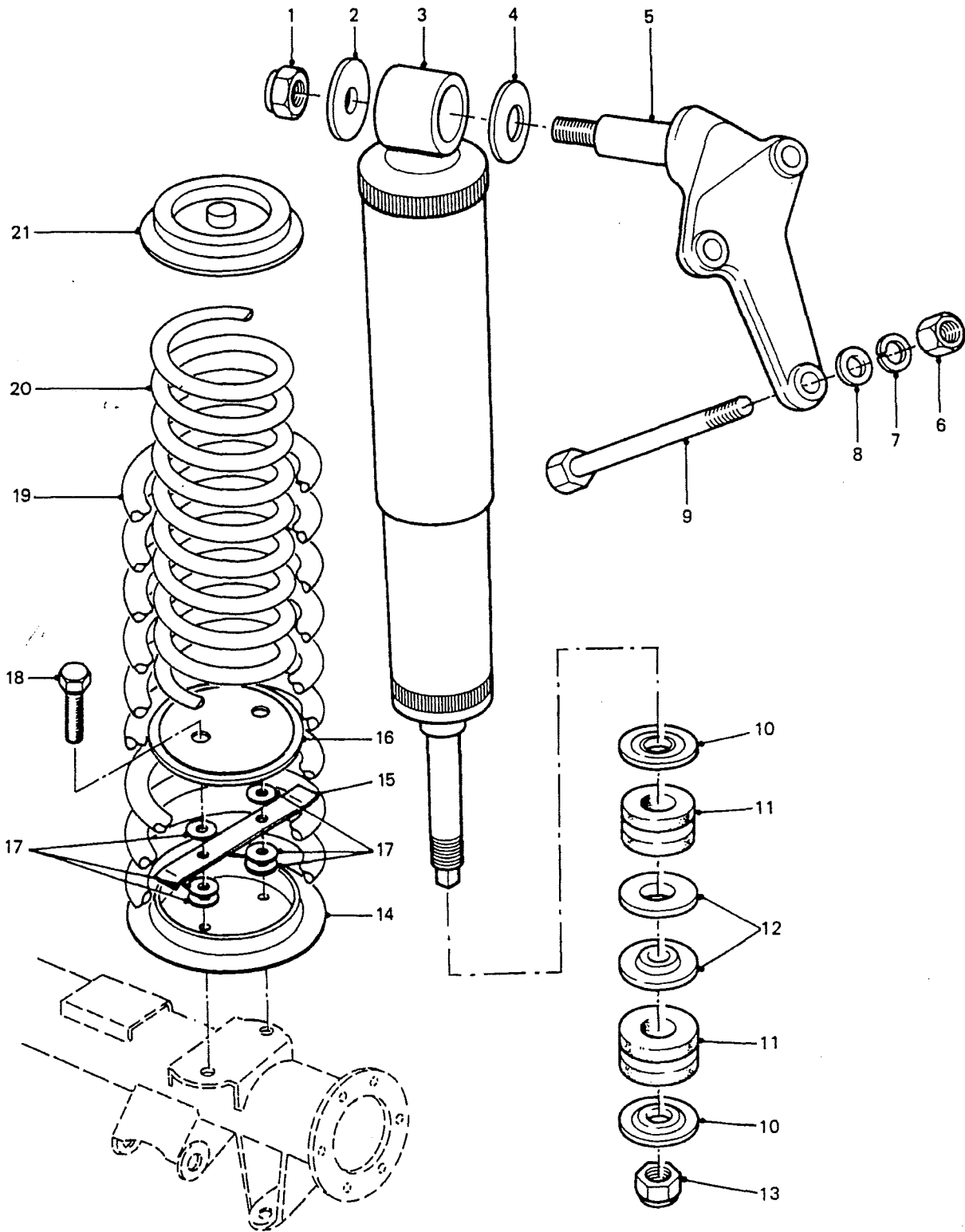
CHANGE POINT

1

ARN INTRODUCTION

50-062

GROUP NB



**REAR SPRING, MOUNTING
AND SHOCK ABSORBER**

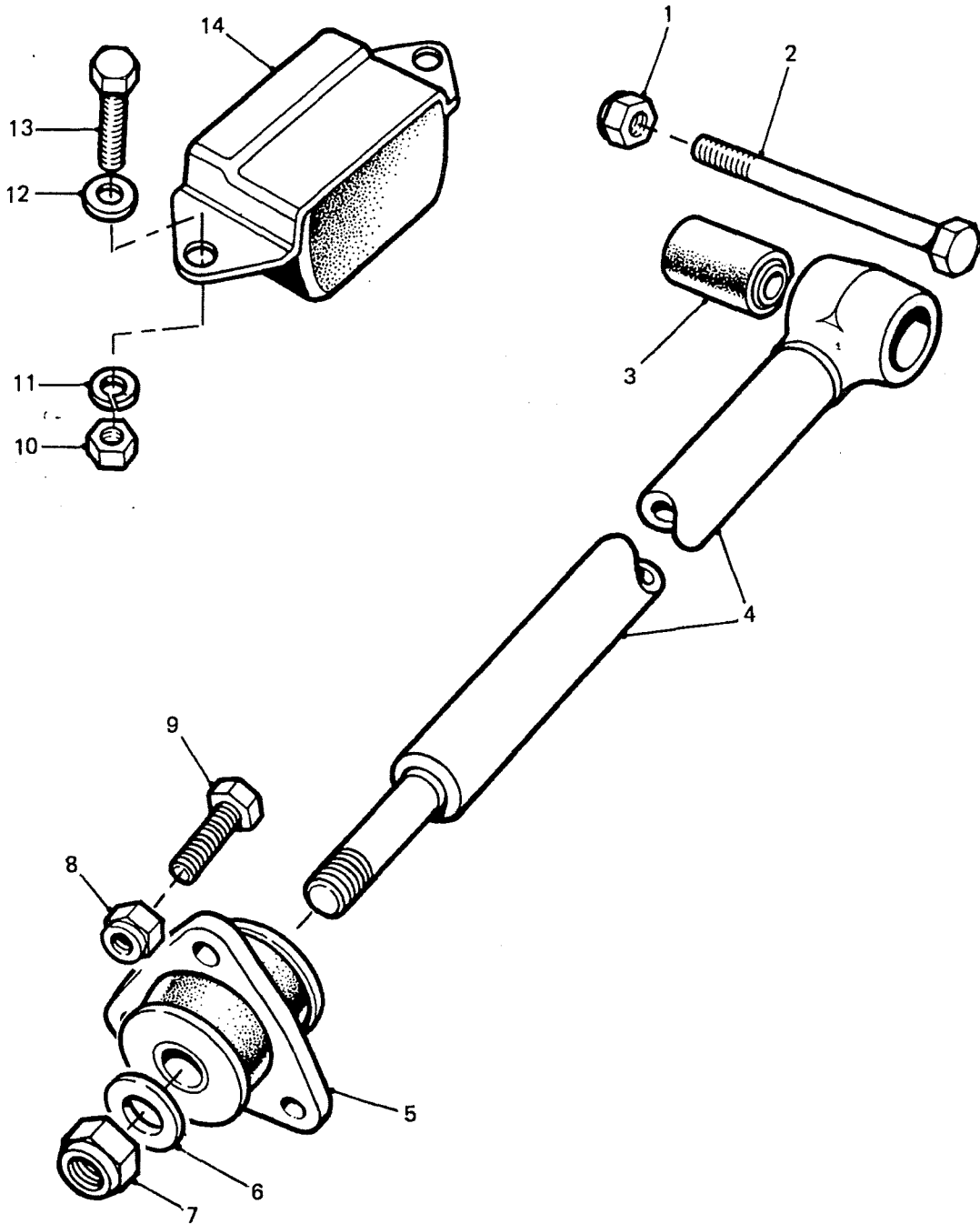
PERENTIE LAND ROVER PARTS LIST

ITEM	NB /1/1 PART NO.	REAR SPRING, MOUNTING AND SHOCK ABSORBER DESCRIPTION	NSN	DERIVATIVE CODE								
				2188	2189	2190	2191	2192	2194	2195	2207	CP
1	NY112041L	NUT-NYLOC	5310-99-768-7269	2	2	2	2	2	2	2	2	2
2	NRC5603	RETAINER	2540-99-721-3479	2	2	2	2	2	2	2	2	2
3	BYG4000	SHOCK ABSORBER	2510-66-128-4248	2	2	2	2	2	2	2	2	2
4	NRC5602	RETAINER	2540-99-721-3478	2	2	2	2	2	2	2	2	2
5	NRC7981	BRACKET	2540-99-720-9991	2	2	2	2	2	2	2	2	2
6	FN110041	NUT		6	6	6	6	6	6	6	6	6
7	WM110001L	WASHER-LOCK		6	6	6	6	6	6	6	6	6
8	WC110061L	WASHER-PLAIN	5310-66-128-4614	6	6	6	6	6	6	6	6	6
9	BH110221L	BOLT		6	6	6	6	6	6	6	6	6
10	R500746	WASHER	2540-99-800-7370	4	4	4	4	4	4	4	4	4
11	R552818	BUSH-S/ABSORBER	5340-99-800-7372	4	4	4	4	4	4	4	4	4
12	NRC6235	GUIDE WASHER	2540-99-721-3480	4	4	4	4	4	4	4	4	4
13	NV608041	NUT-LOCK	5310-99-972-1306	2	2	2	2	2	2	2	2	2
14	NRC4317	SPRING SEAT		2	2	2	2	2	2	2	2	2
15	AYG7441	RETAINER-SPRING-LOWER		2	2	2	2	2	2	2	2	2
16	RRC3355	RETAINER-LOWER										2
17	WM110001L	WASHER-LOCK		4	4	4	4	4	4	4	4	4
17	WA110061L	WASHER-PLAIN	5310-99-122-6476	8	8	8	8	8	8	8	8	16
18	SH110251L	SCREW		4	4	4	4	4	4	4	4	
18	FS110301	SCREW										4
19	AYG7167	SPRING-REAR	5360-66-128-4855	2	2	2	2	2	2	2	2	2
20	RRC3266	HELPER SPRING	5360-99-730-9617									2
21	HYG6356	RETAINER-HELPER SPRING-UPPER										2
	HYL8581	SLEEVE & BUSH SHOCK ABSORBER	2540-66-128-4916	2	2	2	2	2	2	2	2	2

CHANGE POINT

ARN INTRODUCTION

GROUP NBA



REAR SUSPENSION BOTTOM LINK AND BUMP-STOP

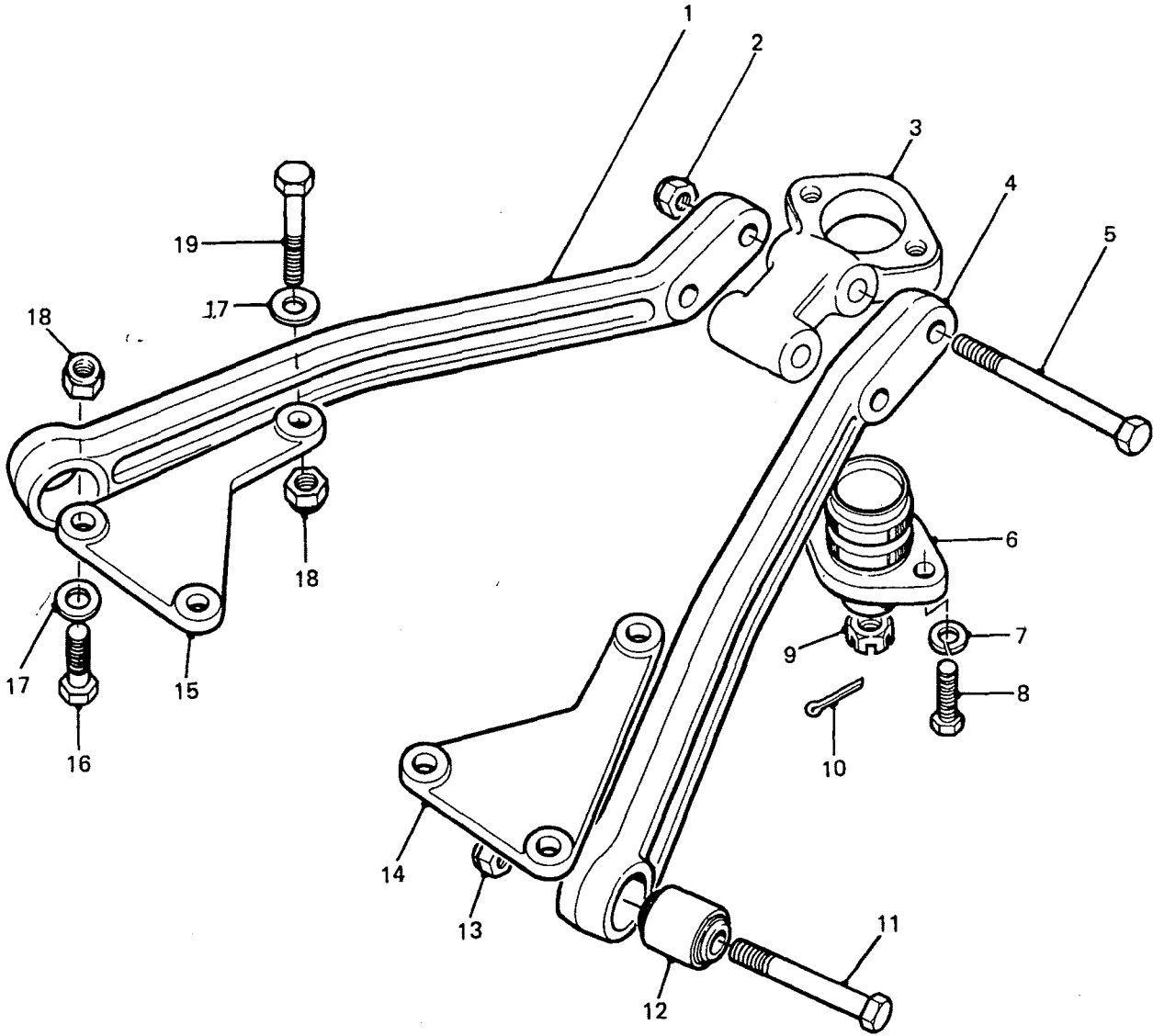
PERENTIE LAND ROVER PARTS LIST

<u>ITEM</u>	<u>PART NO.</u>	<u>DESCRIPTION</u>	<u>NSN</u>	<u>DERIVATIVE CODE</u>								
				<u>2188</u>	<u>2189</u>	<u>2190</u>	<u>2191</u>	<u>2192</u>	<u>2194</u>	<u>2195</u>	<u>2207</u>	<u>CP</u>
1	NY610041L	NUT-NYLOC	5310-66-128-4836	2	2	2	2	2	2	2	2	2
2	BH610321L	BOLT	5306-99-941-0365	2	2	2	2	2	2	2	2	2
3	NTC1772	BUSH-LOWER LINK	5340-99-732-5867	2	2	2	2	2	2	2	2	2
4	NTC8328	LINK-LOWER	2540-66-128-4643	2	2	2	2	2	2	2	2	2
5	NTC9027	MOUNTING	5340-66-128-4856	2	2	2	2	2	2	2	2	2
6	WA120001	WASHER-PLAIN	5310-99-124-3656	2	2	2	2	2	2	2	2	2
7	NY120041L	NUT LOCK	5310-99-122-5504	2	2	2	2	2	2	2	2	2
8	NY110041L	NUT-NYLOC	5310-99-122-5497	6	6	6	6	6	6	6	6	6
9	FS110301	SCREW		6	6	6	6	6	6	6	6	6
10	FN108041	NUT	5310-99-499-8033	4	4	4	4	4	4	4	4	4
11	WL108001L	WASHER-LOCK	5310-99-137-9231	4	4	4	4	4	4	4	4	4
12	WA108051L	WASHER-PLAIN	5310-99-122-6475	4	4	4	4	4	4	4	4	4
13	FS108201	SCREW		4	4	4	4	4	4	4	4	4
14	90575789	STOP RUBBER	5340-99-825-5782	2	2	2	2	2	2	2	2	2

CHANGE POINT

ARN INTRODUCTION

GROUP NBB



REAR SUSPENSION TOP LINK ARRANGEMENT

PERENTIE LAND ROVER PARTS LIST

ITEM	PART NO.	DESCRIPTION	NSN	DERIVATIVE CODE								CP	
				2188	2189	2190	2191	2192	2194	2195	2207		
1	NTC2706	TOP LINK AND BUSH ASSY-R.H.	2530-99-825-5771	1	1	1	1	1	1	1	1	1	
2	NY608041L	NUT-NYLOC	5310-99-943-4300	2	2	2	2	2	2	2	2	2	
3	NRC3923	BRACKET	2530-99-730-9612	1	1	1	1	1	1	1	1	1	
4	NTC2707	TOP LINK AND BUSH ASSY-L.H.	2530-99-825-5772	1	1	1	1	1	1	1	1	1	
5	R253948	BOLT	5306-99-941-1675	2	2	2	2	2	2	2	2	2	
5	R253952	BOLT		2	2	2	2						2 01
6	NTC9932	BALL JOINT	3040-99-791-2253	1	1	1	1	1	1	1	1	1	
7	WM600051L	WASHER-LOCK	5310-66-016-5980	2	2	2	2	2	2	2	2	2	
8	SH605081L	SCREW	5305-99-941-0700	2	2	2	2	2	2	2	2	2	
9	NSS												
10	PS608101L	SPLIT PIN	5315-99-944-0183	1	1	1	1	1	1	1	1	1	
11	BH612321	BOLT	5306-99-941-0379	2	2	2	2	2	2	2	2	2	
12	NTC1773	BUSH	5340-99-825-5773	2	2	2	2	2	2	2	2	2	
13	NY612041	NUT-NYLOC	5310-99-943-4302	2	2	2	2	2	2	2	2	2	
14	R575615	BRACKET RH		1	1	1	1	1	1	1	1	1	
15	R575616	BRACKET LH		1	1	1	1	1	1	1	1	1	
16	BH110091L	BOLT		4	4	4	4	4	4	4	4	4	
17	WC110061L	WASHER-PLAIN	5310-66-128-4614	6	6	6	6	6	6	6	6	6	
18	NY110051L	NUT-NYLOC		6	6	6	6	6	6	6	6	6	
19	BX110111L	BOLT		2	2	2	2	2	2	2	2	2	
	NRC9787	COVER-DUST		1	1	1	1	1	1	1	1	1	
	R592445	RING RETAINING-DUST COVER		1	1	1	1	1	1	1	1	1	
	NTC1154	TIE-CABLE-DUST COVER		1	1	1	1	1	1	1	1	1	

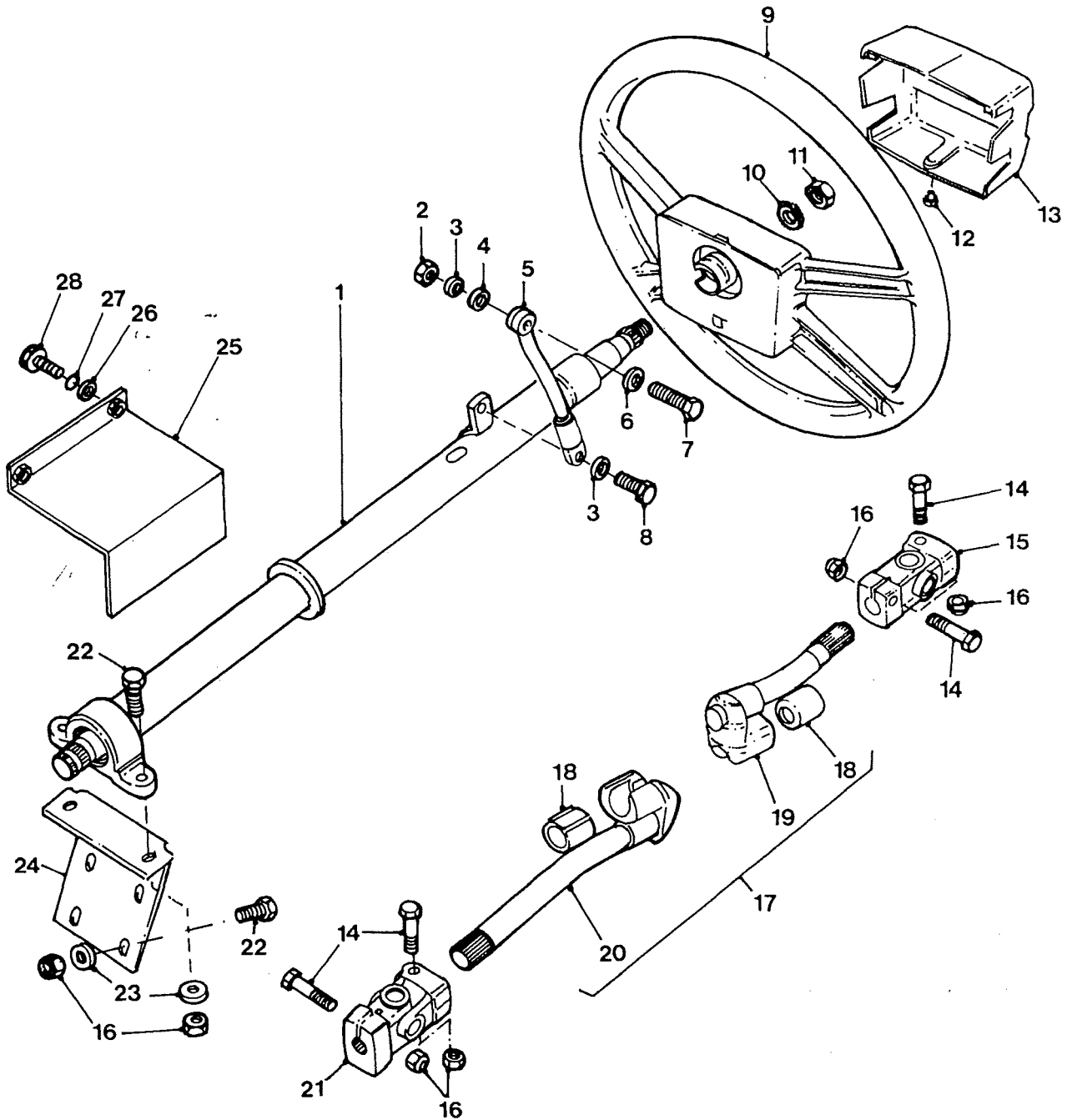
CHANGE POINT

1

ARN INTRODUCTION

200-147 SOFT TOP CARGO
51-564 SOFT TOP F.F.R.

GROUP PA

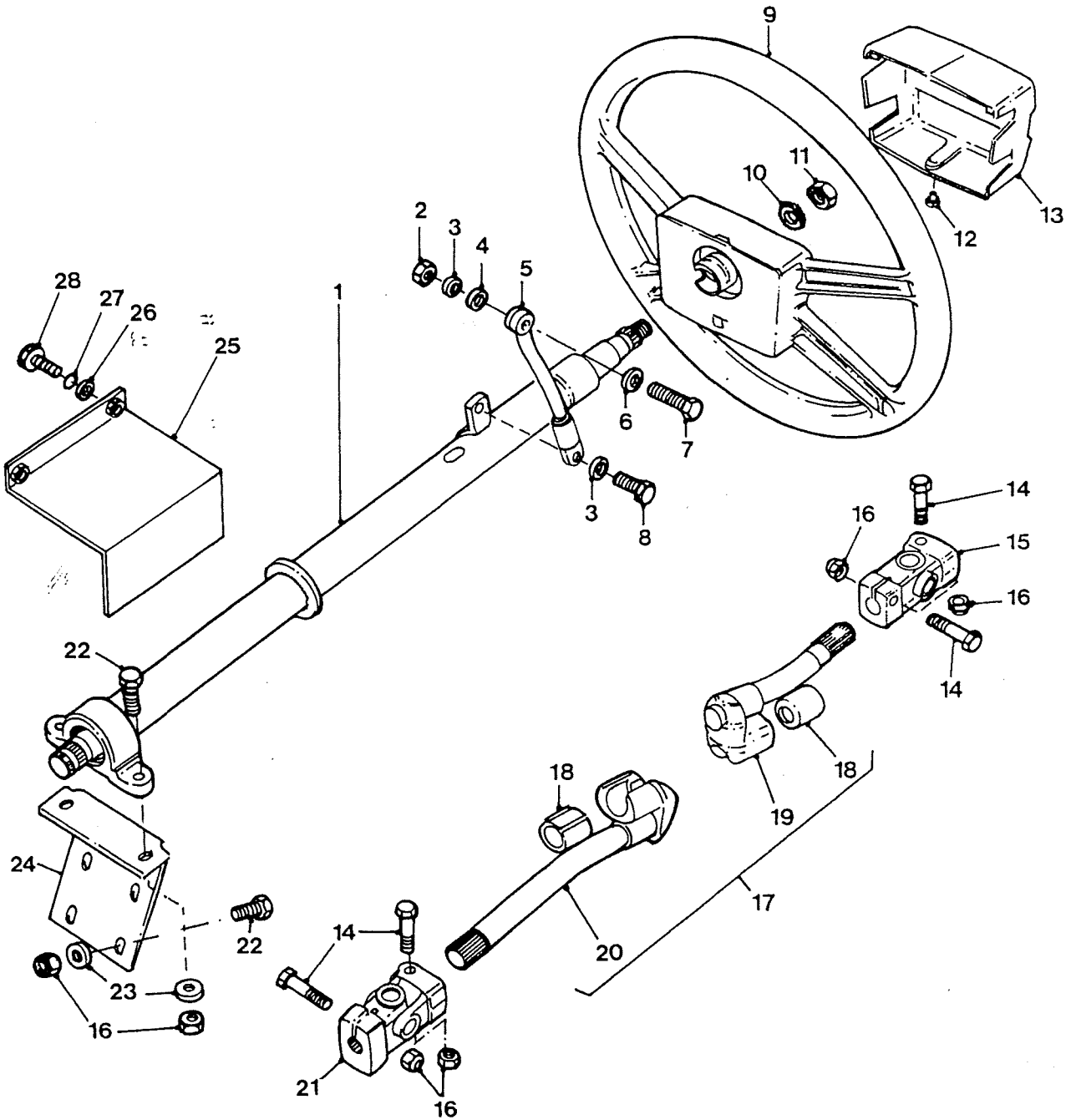


STEERING WHEEL AND COLUMN

PERENTIE LAND ROVER PARTS LIST

ITEM	PA /1/1 PART NO.	STEERING WHEEL AND COLUMN DESCRIPTION	NSN	DERIVATIVE CODE								CP	
				2188	2189	2190	2191	2192	2194	2195	2207		
1	NRC7635	COLUMN-UPPER	2530-99-721-3508	1	1	1	1	1	1	1	1	1	
2	FN110041	NUT		1	1	1	1	1	1	1	1	1	
3	WL110001L	WASHER-LOCK	5310-99-138-9228	2	2	2	2	2	2	2	2	2	
4	WA110061L	WASHER-PLAIN	5310-99-122-6476	1	1	1	1	1	1	1	1	1	
5	NRC9711	TIE ROD ASSY	2530-66-128-4645	1	1	1	1	1	1	1	1	1	
6	WA110061L	WASHER-PLAIN	5310-99-122-6476	1	1	1	1	1	1	1	1	1	
7	SH110251L	SCREW		1	1	1	1	1	1	1	1	1	
8	SH110161	SCREW	5305-99-122-5370	1	1	1	1	1	1	1	1	1	
9	NRC5281	WHEEL-STEERING	2530-99-729-2354	1	1	1	1	1	1	1	1	1	
10	WE600091	WASHER-LOCK	5310-66-128-4858	1	1	1	1	1	1	1	1	1	
11	CRC2015	NUT-STEERING WHEEL	5310-99-728-6147	1	1	1	1	1	1	1	1	1	
12	SE106121	SCREW	5305-99-122-5289	1	1	1	1	1	1	1	1	1	
13	NRC6747	MOTIF COVER -STEERING WHEEL	2530-99-721-3507	1	1					1			
13	NTC3435	MOTIF COVER- STEERING WHEEL	2530-66-128-5710	1	1	1	1	1			1		01
13	NTC7731	MOTIF COVER- STEERING WHEEL	2530-66-128-5710	1	1	1	1				1	1	02
14	FB108081	BOLT		4	4	4	4	4	4	4	4	4	
15	NRC7387	JOINT-UNIVERSAL-UPPER	2530-99-721-3509	1	1	1	1	1	1	1	1	1	
16	NY108041L	NUT-NYLOC	5310-99-122-5496	10	10	10	10	10	10	10	10	10	
17	RTC4738	SHAFT ASSEMBLY, STEERING, COMPLETE (INC ITEMS 18-20)	2530-99-721-3511	1	1	1	1	1	1	1	1	1	
18	NSS												
19	NSS												
20	NSS												
21	NRC7704	JOINT-UNIVERSAL-LOWER	3010-99-825-6050	1	1	1	1	1	1	1	1	1	
22	FS108251	SCREW	5305-99-122-5367	6	6	6	6	6	6	6	6	6	

GROUP PA



STEERING WHEEL AND COLUMN

PERENTIE LAND ROVER PARTS LIST

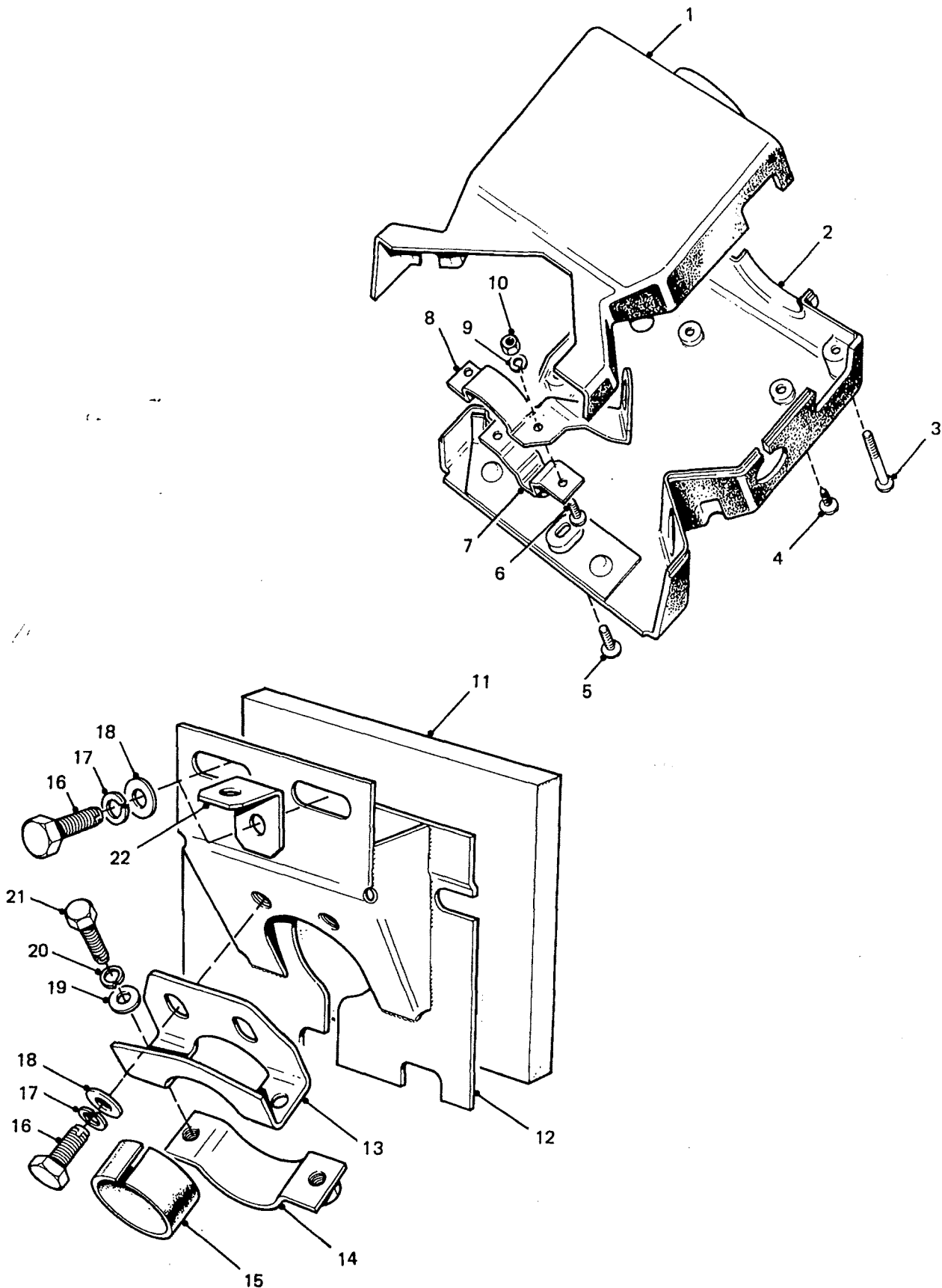
<u>ITEM</u>	<u>PA /1/1</u> <u>PART NO.</u>	<u>STEERING WHEEL AND COLUMN</u> <u>DESCRIPTION</u>	<u>NSN</u>	<u>DERIVATIVE CODE</u>								
				<u>2188</u>	<u>2189</u>	<u>2190</u>	<u>2191</u>	<u>2192</u>	<u>2194</u>	<u>2195</u>	<u>2207</u>	<u>CP</u>
23	WA108051L	WASHER-PLAIN	5310-99-122-6475	6	6	6	6	6	6	6	6	6
24	NRC7127	SUPPORT-STEERING COLUMN		1	1	1	1	1	1	1	1	1
25	AYG6059	SHIELD-COLUMN		1	1	1	1	1	1	1	1	1
26	WA106001L	WASHER-PLAIN	5310-66-098-4440	2	2	2	2	2	2	2	2	2
27	WL106001L	WASHER-LOCK	5310-99-137-9232	2	2	2	2	2	2	2	2	2
28	SH106121L	SCREW	5305-99-122-5359	2	2	2	2	2	2	2	2	2
	NRC7636	STRIKER DRIVING RING	2530-99-729-2949	1	1	1	1	1	1	1	1	1

CHANGE POINT

ARN INTRODUCTION

1	48-296
2	50-015

GROUP PAA



STEERING COLUMN MOUNTING AND SHROUD

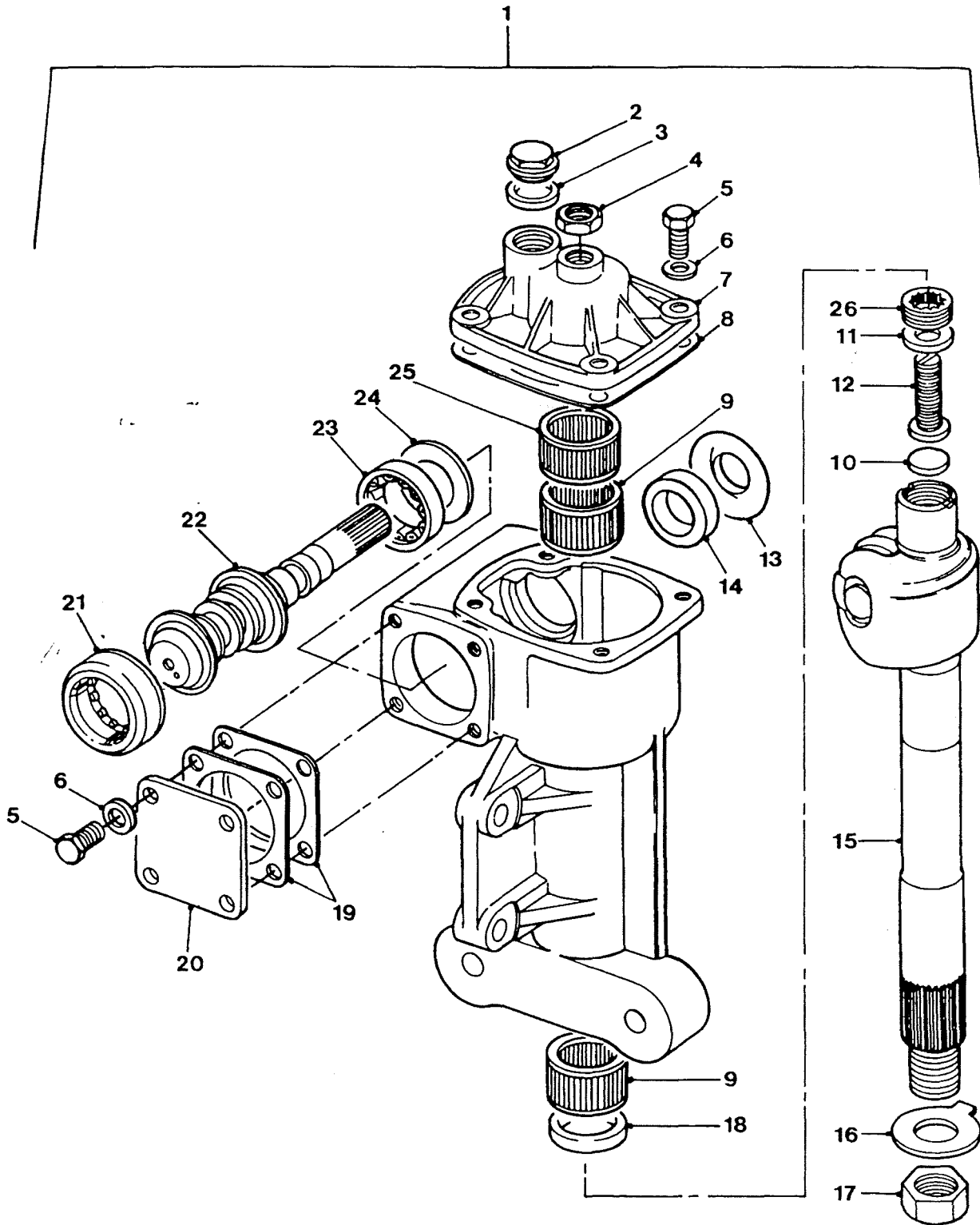
PERENTIE LAND ROVER PARTS LIST

ITEM	PAA/1/1 PART NO.	STEERING COLUMN MOUNTING AND SHROUD DESCRIPTION	NSN	DERIVATIVE CODE							
				2188	2189	2190	2191	2192	2194	2195	2207 CP
1	MTC3499	SHROUD-UPPER	2530-99-721-3513	1	1	1	1	1	1	1	1
2	HYG2775	SHROUD-LOWER	2530-66-128-4657	1	1	1	1	1	1	1	1
3	SE105401	SCREW	5305-99-135-0435	2	2	2	2	2	2	2	2
4	AR608031	SCREW	5305-99-805-6811	2	2	2	2	2	2	2	2
5	SE105161L	SCREW	5305-99-135-0430	1	1	1	1	1	1	1	1
6	SH105121L	SCREW	5305-99-122-8664	2	2	2	2	2	2	2	2
7	NRC7836	BRACKET-IGNITION SWITCH-BOTTOM		1	1	1	1	1	1	1	1
8	NRC7835	BRACKET-IGNITION SWITCH-TOP		1	1	1	1	1	1	1	1
9	WL105001L	WASHER-LOCK	5310-99-977-1102	2	2	2	2	2	2	2	2
10	NH105041L	NUT	5310-66-098-4400	2	2	2	2	2	2	2	2
11	MUC7000	SEAL-SUPPORT BRACKET	5330-66-128-4860	1	1	1	1	1	1	1	1
12	MTC1382	BRKT.SUPPORT		1	1	1	1	1	1	1	1
13	R346722	CLAMP-TOP	2540-99-824-8007	1	1	1	1	1	1	1	1
14	MTC1078	CLAMP-LOWER	5340-99-721-3517	1	1	1	1	1	1	1	1
15	R348747	RUBBER STRIP	5330-99-805-4367	1	1	1	1	1	1	1	1
16	GG108251L	SCREW	5305-99-741-7926	4	4	4	4	4	4	4	4
17	WA108051L	WASHER-PLAIN	5310-99-122-6475	4	4	4	4	4	4	4	4
18	WL108001L	WASHER-LOCK	5310-99-137-9231	4	4	4	4	4	4	4	4
19	WA106041L	WASHER-PLAIN	5310-66-098-4440	2	2	2	2	2	2	2	2
20	WL106001L	WASHER-LOCK	5310-99-137-9232	2	2	2	2	2	2	2	2
21	GG106251	SCREW	5305-99-771-8383	2	2	2	2	2	2	2	2
22	MTC4771	BRACKET		1	1	1	1	1	1	1	1

CHANGE POINT

ARN INTRODUCTION

GROUP PB/1

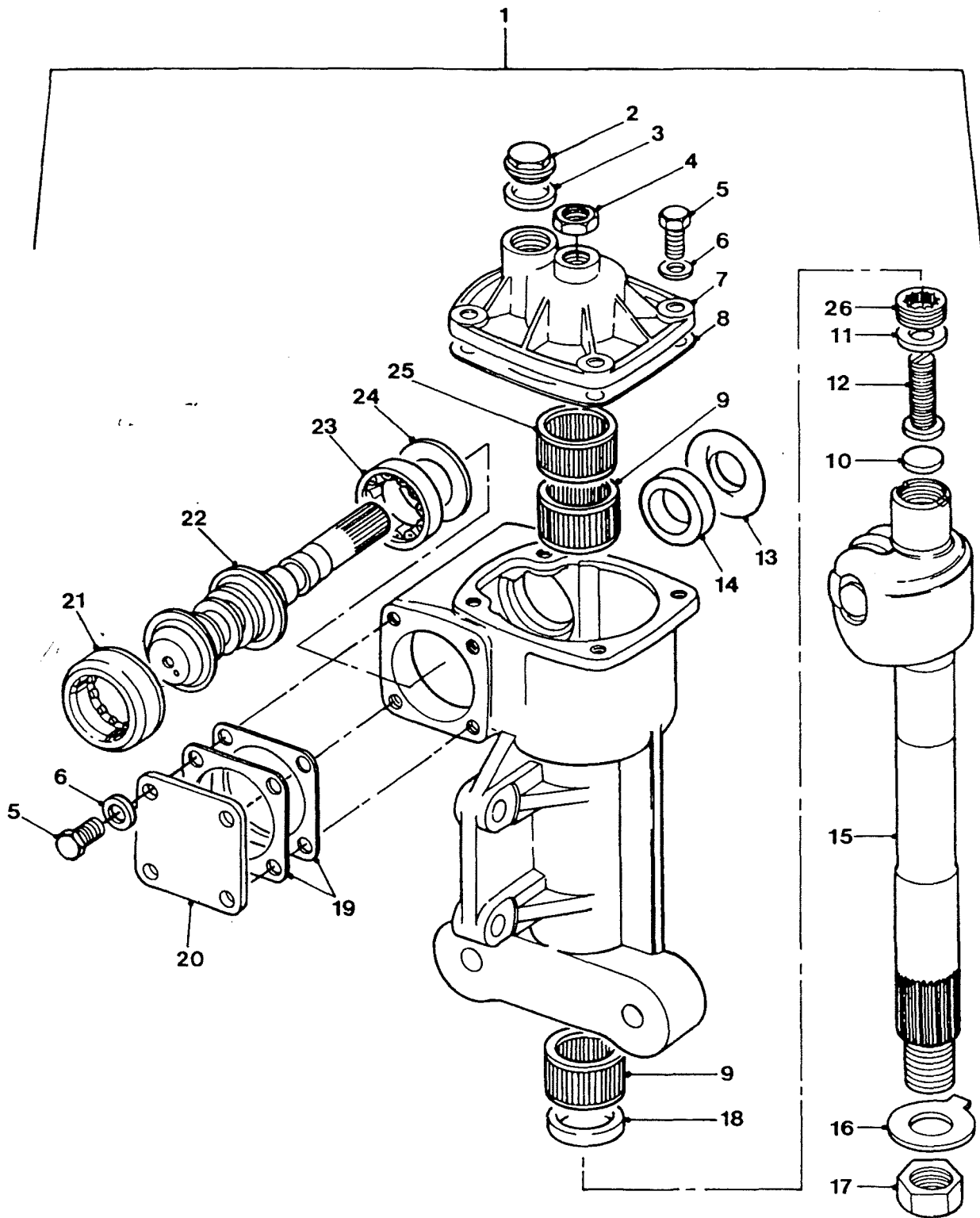


**STEERING BOX ASSEMBLY
MANUAL STEERING – GEMMER BRAND**

PERENTIE LAND ROVER PARTS LIST

ITEM	PB /1/1 PART NO.	DESCRIPTION	NSN	DERIVATIVE CODE							CP
				2188	2189	2190	2191	2192	2194	2195	
1	NTC2590	STEERING BOX ASSY	2530-99-786-0285	1	1	1	1	1	1	1	01
2	AEU4017	PLUG-FILLER	5365-99-784-7047	1	1	1	1	1	1	1	
3	AEU4018	WASHER-PLAIN	5310-66-128-4861	1	1	1	1	1	1	1	
4	AEU4016	NUT		1	1	1	1	1	1	1	
5	AEU4014	SCREW		1	1	1	1	1	1	1	
6	AEU4015	WASHER-PLAIN		1	1	1	1	1	1	1	
7	AEU4013	COVER PLATE		1	1	1	1	1	1	1	
8	BAU4865	GASKET-COVER	5330-99-784-7055	1	1	1	1	1	1	1	
9	STC1055	BEARING-ROLLER		2	2	2	2	2	2	2	
10	STC1178	WEAR PAD-HARDENED		1	1	1	1	1	1	1	
11	NSS										
12	NSS										
13	AEU4019	SEAL-DUST		1	1	1	1	1	1	1	
14	BAU4870	SEAL-PINION SHAFT	5330-99-784-7049	1	1	1	1	1	1	1	
15	RTC5908	SHAFT-SECTOR	2530-66-128-6243	1	1	1	1	1	1	1	
16	AEU4025	WASHER-TAB	5310-99-784-7052	1	1	1	1	1	1	1	
17	AEU4026	NUT	5310-99-784-7053	1	1	1	1	1	1	1	
18	AEU4024	SEAL-SELECTOR SHAFT	5330-99-784-7051	1	1	1	1	1	1	1	
19	BAU4871	SHIM-COVER PLATE PINION SHAFT		1	1	1	1	1	1	1	
20	AEU4023	PLATE-COVER PINION SHAFT		1	1	1	1	1	1	1	
21	RTC6129	BEARING ASSY		1	1	1	1	1	1	1	
22	RTC5911	WORMSHAFT		1	1	1	1	1	1	1	
23	RTC6130	BEARING ASSY		1	1	1	1	1	1	1	
24		USE SHIM KIT RTC4410		1	1	1	1	1	1	1	
25	NSS										
26	STC1179	PLUG-ADJUSTING-SECTOR SHAFT		1	1	1	1	1	1	1	

GROUP PB/1



**STEERING BOX ASSEMBLY
MANUAL STEERING – GEMMER BRAND**

PERENTIE LAND ROVER PARTS LIST

PB /1/1

STEERING BOX ASSEMBLY - MANUAL STEERING - GEMMER BRAND

DERIVATIVE CODE

<u>ITEM</u>	<u>PART NO.</u>	<u>DESCRIPTION</u>	<u>NSN</u>	<u>2188</u>	<u>2189</u>	<u>2190</u>	<u>2191</u>	<u>2192</u>	<u>2194</u>	<u>2195</u>	<u>2207</u>	<u>CP</u>
	STC603	KIT-SEALS (INCLUDES ITEMS 8,13,14,17,19)		1	1	1	1	1	1	1	1	
	RTC4410	KIT-SHIMS		1	1	1	1	1	1	1	1	

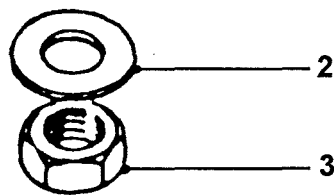
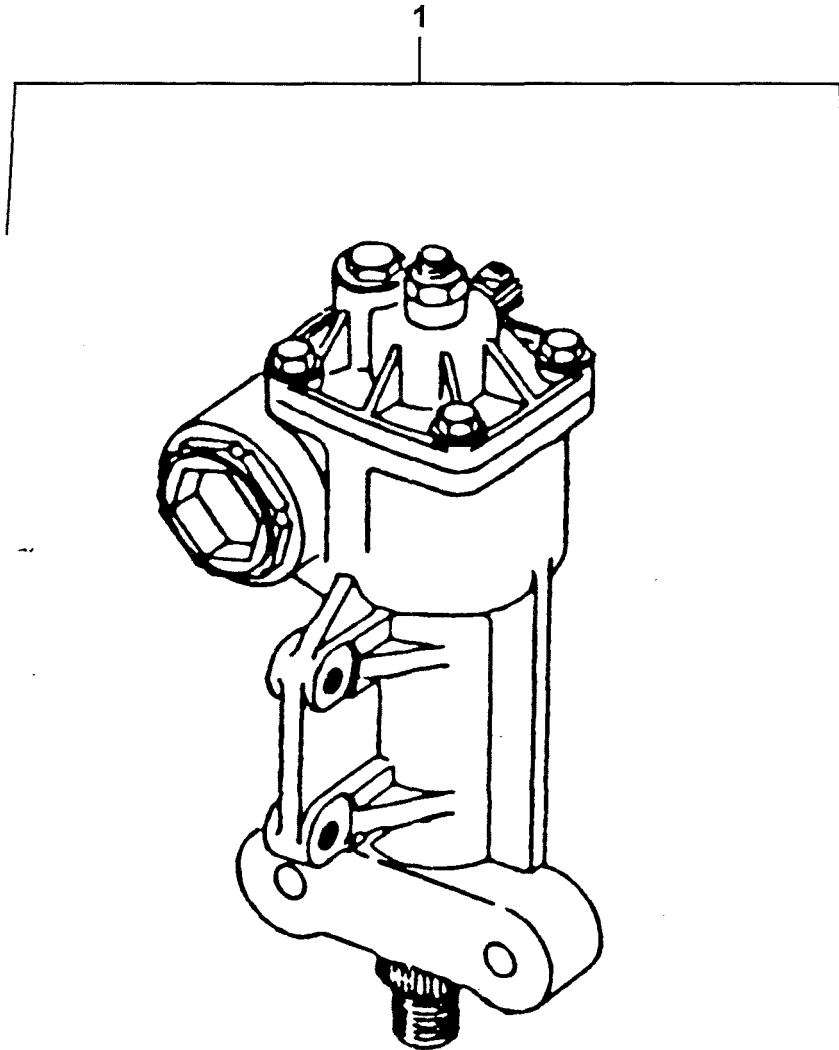
CHANGE POINT

ARN INTRODUCTION

1

GEMMER BRAND STEERING BOX ASSY NO LONGER AVAILABLE, REPLACED WITH ADWEST BRAND. CHECK BRAND FITTED BEFORE ORDERING PARTS.

GROUP PB/1/2



**STEERING BOX ASSEMBLY
– MANUAL STEERING – ADWEST BRAND**

PERENTIE LAND ROVER PARTS LIST

ITEM	PB 1/2 PART NO.	DESCRIPTION	NSN	DERIVATIVE CODE							CP	
				2188	2189	2190	2191	2192	2194	2195		2207
1	NTC8224	STEERING BOX ASSY -INCLUDES DROP ARM	2530-66-128-6456	1	1	1	1	1	1	1	1	01
2	R600265	WASHER-TAB	5310-99-137-8241	1	1	1	1	1	1	1	1	
3	NH614041	NUT		1	1	1	1	1	1	1	1	
	STC892	KIT-REPAIR		1	1	1	1	1	1	1	1	
	NSS	WASHER-FIBRE		1	1	1	1	1	1	1	1	
	NSS	LOCKNUT-ADJUSTER		1	1	1	1	1	1	1	1	
	NSS	SEAL-DIRT-OUTPUT SHAFT		1	1	1	1	1	1	1	1	
	NSS	SEAL-OUTPUT SHAFT		1	1	1	1	1	1	1	1	
	NSS	SEAL-INPUT SHAFT		1	1	1	1	1	1	1	1	
	NSS	GASKET-COVER PLATE		1	1	1	1	1	1	1	1	
	NSS	SCREW-COVER PLATE		4	4	4	4	4	4	4	4	
	STC897	KIT-FILLER PLUG		1	1	1	1	1	1	1	1	
	NSS	PLUG-FILLER-BRASS		1	1	1	1	1	1	1	1	
	NSS	WASHER-PLUG-FIBRE		1	1	1	1	1	1	1	1	

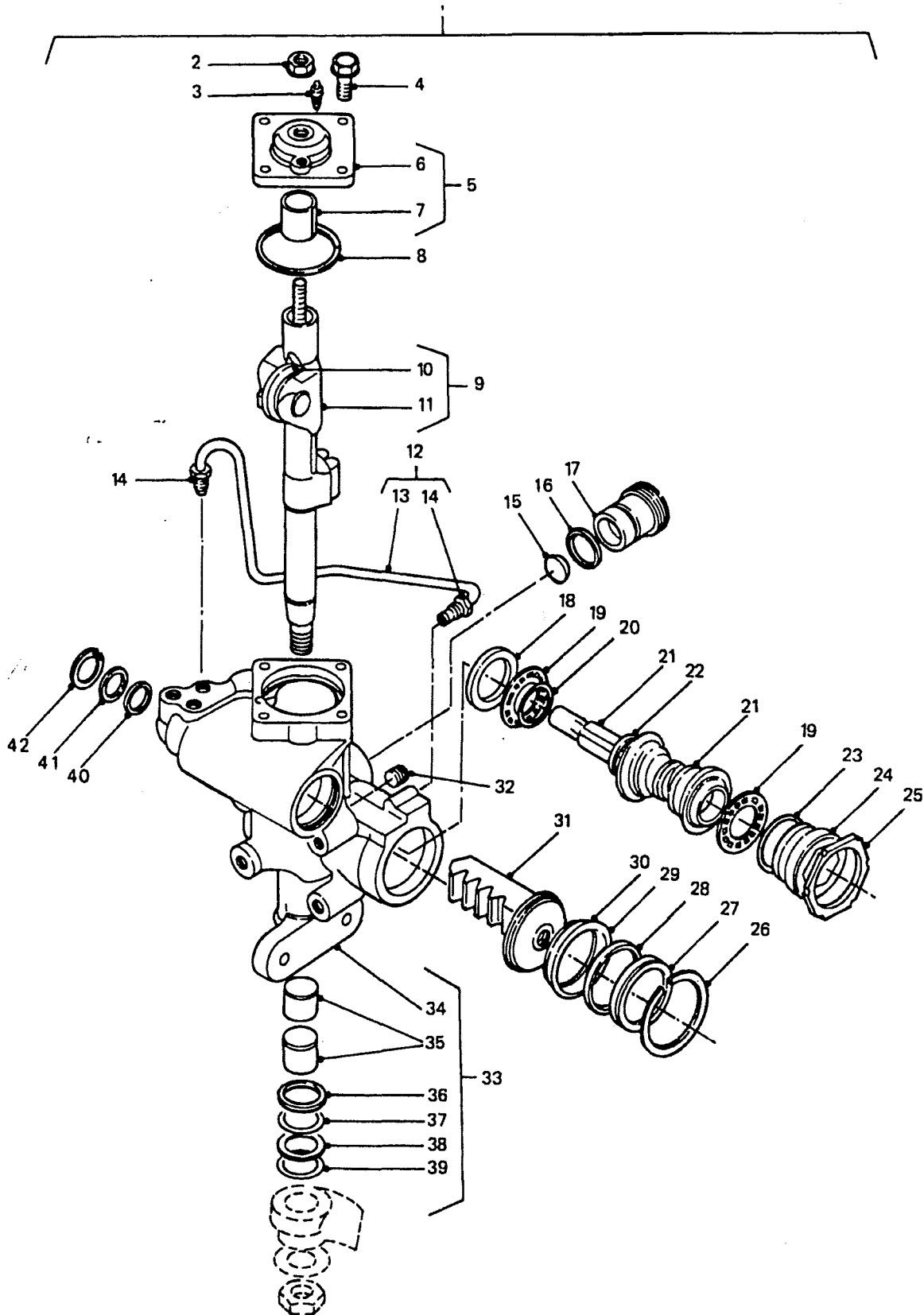
CHANGE POINT

1

ARN INTRODUCTION

ADWEST BRAND STEERING BOX USED IN PLACE OF GEMMER BRAND

GROUP PB/2/1

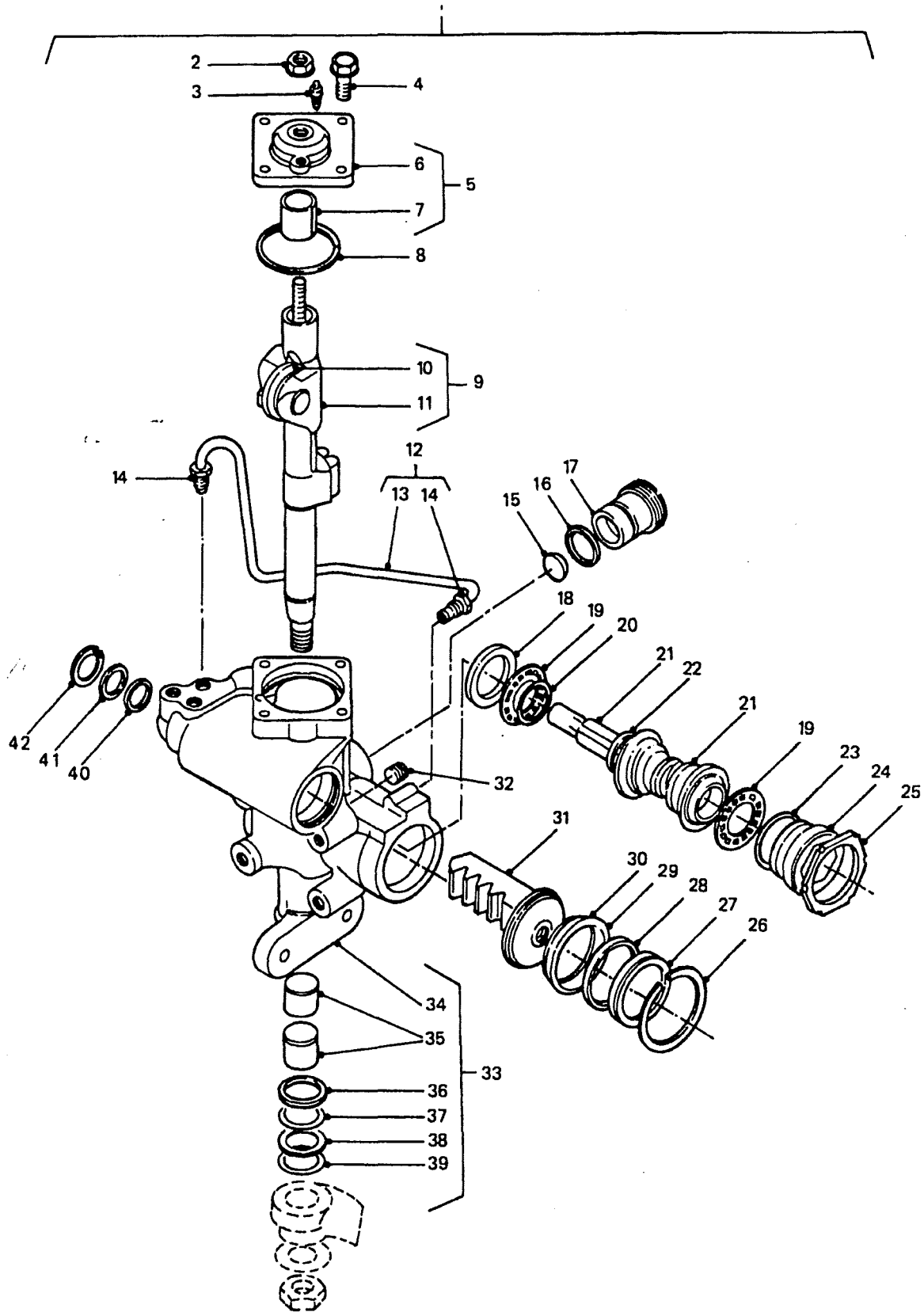


**STEERING BOX ASSEMBLY
POWER STEERING – RFSV ONLY**

PERENTIE LAND ROVER PARTS LIST

ITEM	PART NO.	DESCRIPTION	NSN	DERIVATIVE CODE							CP
				2188	2189	2190	2191	2192	2194	2195	
1	STC887	STEERING BOX ASSY	2530-66-128-6454								1
2	RTC4394	NUT									1
3	RTC4395	SCREW-BLEED									1
4	RTC4393	SCREW									4
5	STC418	COVER & BUSH (INCL. ITEMS 6 & 7)									1
6	NSS										
7	NSS										
8	RTC4397	SEAL-USE SEAL KIT STC890									1
9	RTC4398	SECTOR SHAFT & NUT									1
10	NSS										
11	NSS										
12	RTC4400	PIPE-OIL TRANSFER									1
13	NSS										
14	NSS										
15	NSS	PAD-USE SEAL KIT STC1040									
16	R608065	SEAL									1
17	R606545	SCREW-ADJUSTING-PART OF SEAL KIT STC1040									1
18	RTC4410	SHIM SET									1
19	RTC4409	BEARING									2
20	R608000	RING-TEFLON									3
21	RTC4405	WORM & VALVE									1
22	R607567	CIRCLIP									1
23	NSS	USE SEAL KIT STC890									
24	RTC4407	SCREW-WORM ADJUSTING									1
25	RTC4408	LOCKNUT									1
26	RTC4404	RING-RETAINING									1

GROUP PB/2/1

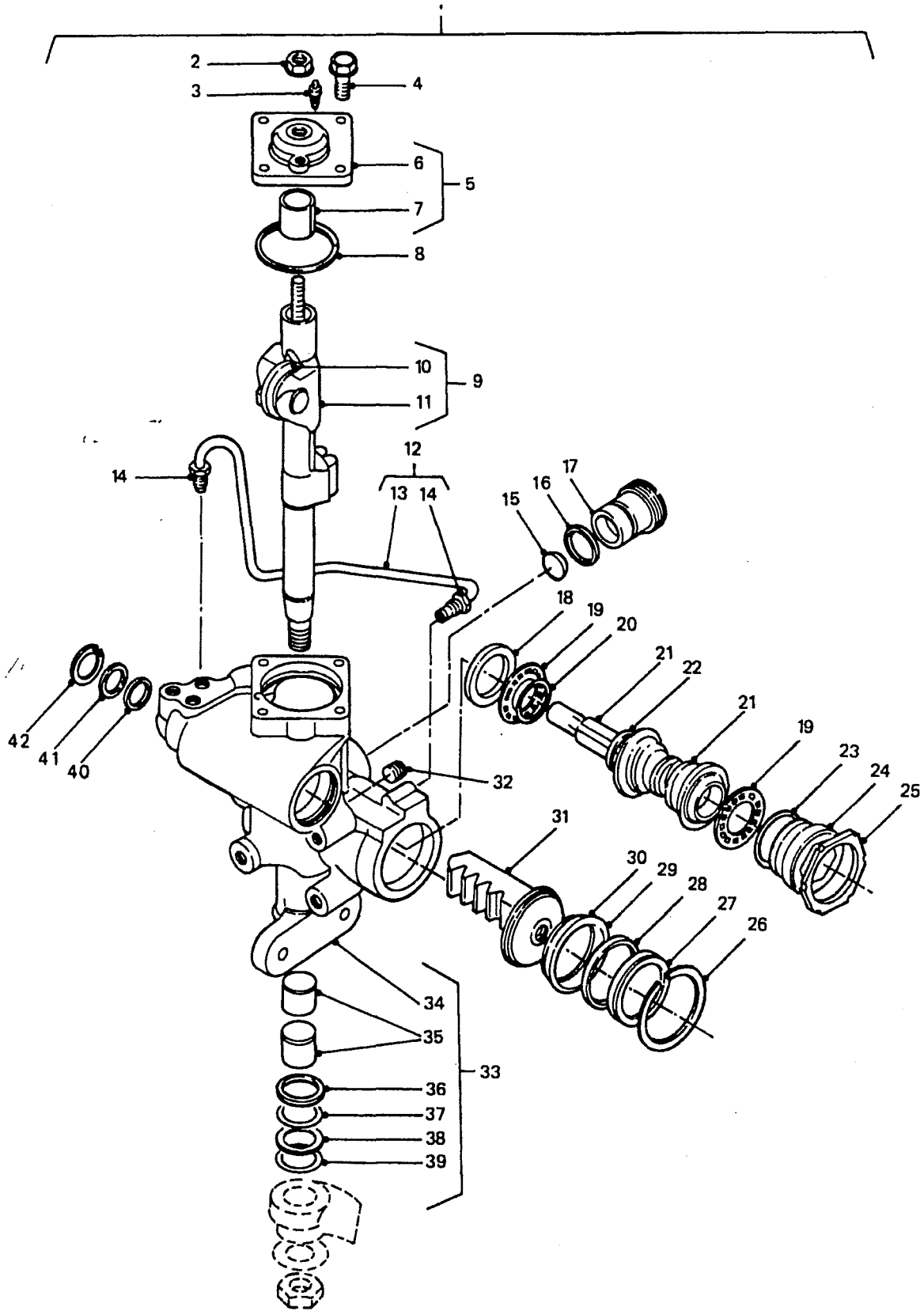


**STEERING BOX ASSEMBLY
POWER STEERING – RFSV ONLY**

PERENTIE LAND ROVER PARTS LIST

ITEM	PART NO.	DESCRIPTION	NSN	DERIVATIVE CODE							CP
				2188	2189	2190	2191	2192	2194	2195	
27	RTC4403	COVER									1
28	NSS										
29	NSS										
30	NSS										
31	RTC4402	PISTON									1
32	R11011L	SCREW -PART OF SEAL KIT STC1040									1
33	NSS										
34	NSS										
35	NSS										
36	NSS	SEAL-USE SEAL KIT STC1042									
37	NSS	WASHER-BACKUP-USE SEAL KIT STC1042									
38	NSS	SEAL-BACKUP-USE SEAL KIT STC1042									
39	NSS	CIRCLIP-USE SEAL KIT STC1042									1
40	NSS	SEAL-ROTOR-USE SEAL KIT STC1041									
41	NSS	WASHER-USE SEAL KIT STC1041									
42	NSS	CIRCLIP-USE SEAL KIT STC1041									
	RTC6110	DUST SEAL-USE KIT STC1042									1
	STC890	SEAL KIT-MAIN (INCL. ITEMS 8,16,23,28,29,30,3 6,37,38,40,41)									1
	STC889	SEAL KIT-INPUT SHAFT (INCL. ITEMS 40,41,42)									1

GROUP PB/2/1



**STEERING BOX ASSEMBLY
POWER STEERING – RFSV ONLY**

PERENTIE LAND ROVER PARTS LIST

PB /2/1

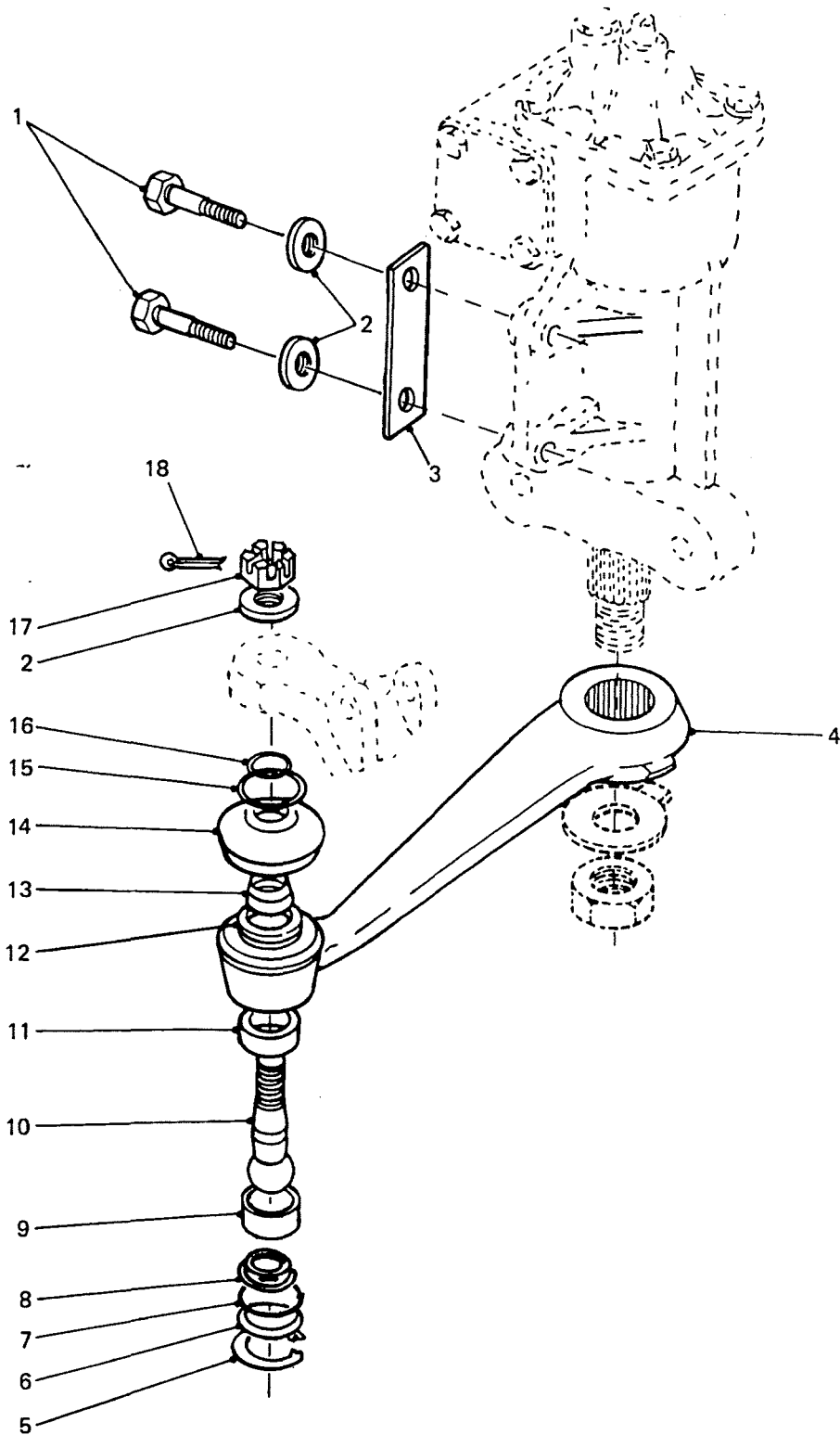
STEERING BOX ASSEMBLY - POWER STEERING - RFSV ONLY

<u>ITEM</u>	<u>PART NO.</u>	<u>DESCRIPTION</u>	<u>NSN</u>	<u>DERIVATIVE CODE</u>							<u>CP</u>
				<u>2188</u>	<u>2189</u>	<u>2190</u>	<u>2191</u>	<u>2192</u>	<u>2194</u>	<u>2195</u>	
	STC1042	SEAL KIT-OUTPUT SHAFT (INCL. ITEMS 36,37,38,39)									1
	STC1040	SEAL KIT-PAD ADJUSTER (INCL. ITEMS 15,17,32)									1

CHANGE POINT

ARN INTRODUCTION

GROUP PBA /1



**STEERING BOX MOUNTING BOLTS,
DROP ARM AND BALL JOINT**

PERENTIE LAND ROVER PARTS LIST

ITEM	PBA/1/1 PART NO.	DESCRIPTION	NSN	DERIVATIVE CODE								
				2188	2189	2190	2191	2192	2194	2195	2207	CP
1	BX112201	BOLT	5306-66-128-5243	4	4	4	4	4	4	4		
2	WC112081L	WASHER-PLAIN	5310-99-122-6477	5	5	5	5	5	5	5		
3	R572077	WASHER-TAB	5365-99-138-0263	2	2	2	2	2	2	2		
4	RTC6398	DROP ARM-FOR NTC2590-GEMMER BRAND		1	1	1	1	1	1	1		
4	STC1044	DROP ARM-FOR NTC8224-ADWEST BRAND		1	1	1	1	1	1	1	1	1
5	NSS											
6	NSS											
7	NSS											
8	NSS											
9	NSS											
10	NSS											
11	NSS											
12	NSS											
13	NSS											
14	NSS											
15	NSS											
16	NSS											
17	NC112041	NUT	5310-66-128-4862	1	1	1	1	1	1	1	1	
18	PS105321	SPLIT PIN	5315-66-128-4903	1	1	1	1	1	1	1	1	
	STC3295	KIT-REPAIR-BALL JOINT (INCL ITEMS 5 - 16)	2530-99-729-2349	1	1	1	1	1			1	
	BH607381	BOLT	5306-99-941-8132	4	4						4	
	NY607041	NUT-NYLOC	5310-99-941-7650	4	4						4	
	WA600071L	WASHER-PLAIN	5310-99-941-8636	4	4						4	

CHANGE POINT

ARN INTRODUCTION

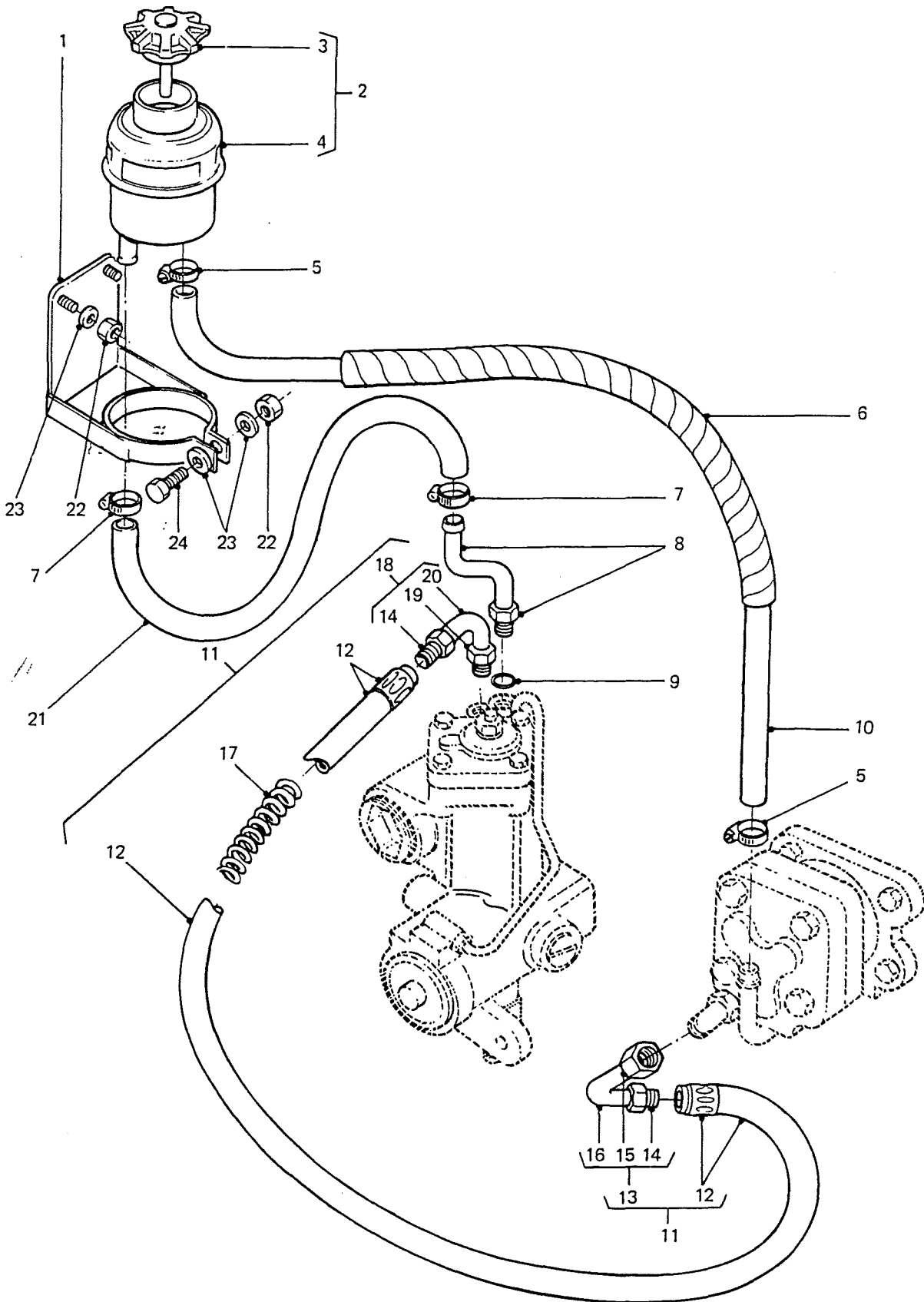
PERENTIE LAND ROVER PARTS LIST

ITEM	PBA/2/1 PART NO.	DESCRIPTION	NSN	DERIVATIVE CODE							CP
				2188	2189	2190	2191	2192	2194	2195	
1	BX112201	BOLT	5306-66-128-5243								4
2	R572077	WASHER-TAB	5365-99-138-0263								2
3	WC112081L	WASHER-PLAIN	5310-99-122-6477								4
4	R3261L	WASHER	5310-99-138-0262								2
5	BH607161L	BOLT									2
6	STC887	STEERING BOX (REFER GROUP PB FOR B/DOWN)									1
7	STC1044	DROP ARM-ADWEST									1
8	R600265	WASHER-TAB	5310-99-137-8241								1
9	NT614041L	NUT	5310-99-135-1522								1
10	RTC4198	KIT-REPAIR-BALL JOINT (INCL ITEMS 12-20)	2530-99-729-2349								1
11	NSS										
12	NSS										
13	NSS										
14	NSS										
15	NSS										
16	NSS										
17	NSS										
18	NSS										
19	NSS										
20	WC112081L	WASHER-PLAIN	5310-99-122-6477								1
21	NC112041	NUT	5310-66-128-4862								1
22	PS105321	SPLIT PIN	5315-66-128-4903								1
23	NY607041L	NUT-NYLOC	5310-99-941-7650								2
24	R217245	WASHER	5310-99-138-0321								2
25	R594947	TIE-BAR	2530-99-825-5789								1
26	R4905	WASHER-PLAIN	5310-99-138-0364								1
27	NY60804IL	NUT-NYLOC	5310-99-943-4300								1

CHANGE POINT

ARN INTRODUCTION

GROUP PBB

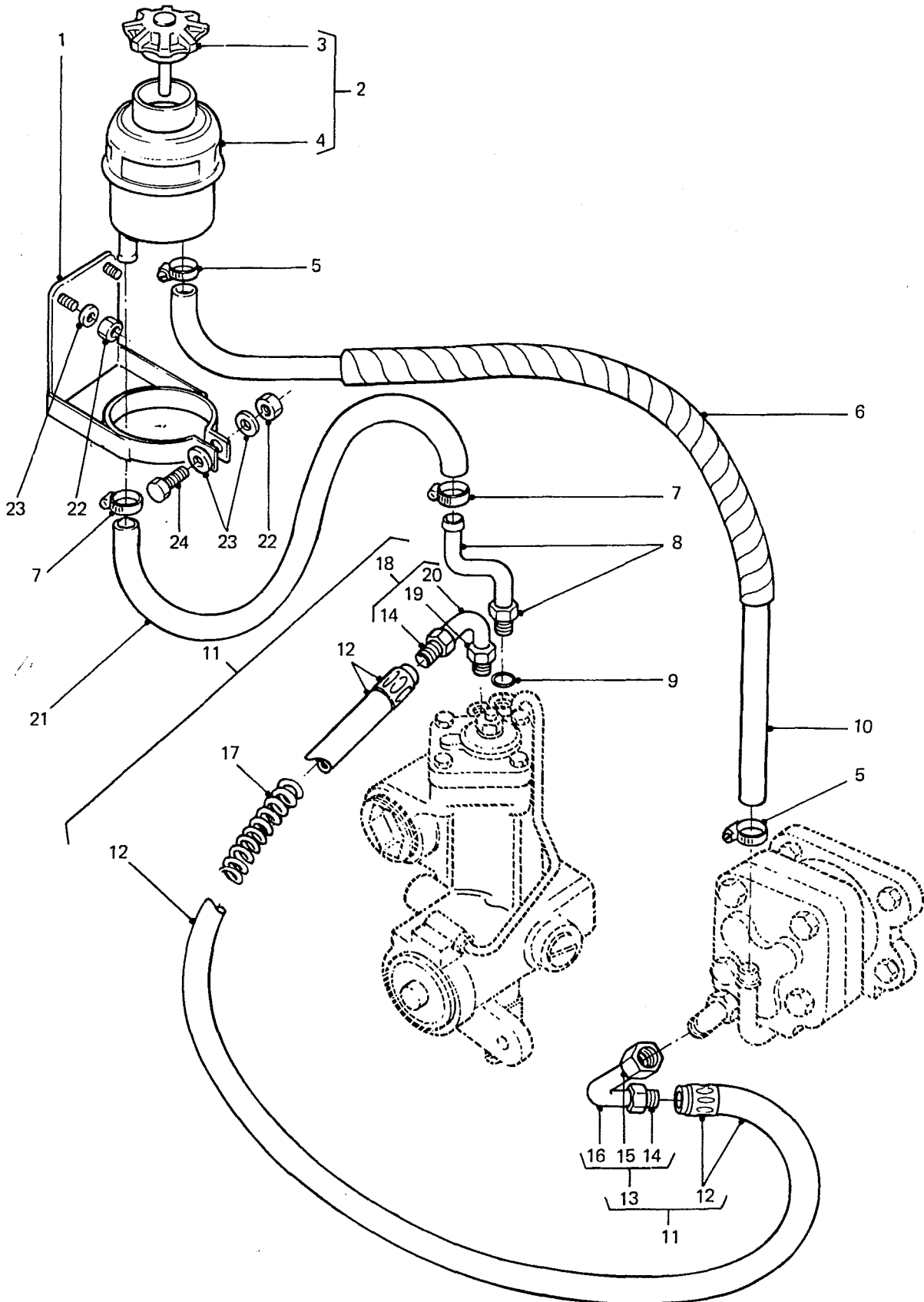


POWER STEERING PIPING AND RESERVOIR

PERENTIE LAND ROVER PARTS LIST

ITEM	PART NO.	DESCRIPTION	NSN	DERIVATIVE CODE							CP
				2188	2189	2190	2191	2192	2194	2195	
1	AYG6100	BRACKET-PAS RESEVOIR									1
2	NTC1791	RESERVOIR-PAS (INCL ITEMS 3&4)	2530-99-978-2518								1
3	NTC2723	CAP-RESEVOIR	2530-66-128-5714								1
4	NSS										
5	CJ600164L	CLAMP-HOSE	4730-99-533-2960								2
6	MYH5256/500	SPIREWRAPE									1
7	CJ600124	CLAMP-HOSE	4730-66-012-6544								2
8	AYG6147	ADAPTOR PIPE									1
9	RTC4825	O RING-STG HOSE	5330-66-128-5729								1
10	MYH5305/800	HOSE-FEED-RESERVOIR TO PUMP	4720-00-241-4435								1
11	AYG6110	HOSE ASSY-HIGH PRESSURE	4720-66-128-5730								1
12	NSS										
13	NSS										
14	NSS										
15	NSS										
16	NSS										
17	NSS										
18	NSS										
19	NSS										
20	NSS										
21	HYM471	HOSE-LOW PRESSURE	4720-66-028-8753								1
22	NY106041L	NUT-NYLOC	5310-99-138-8423								3
23	WA106041L	WASHER-PLAIN	5310-66-098-4440								4
24	SH106301L	SCREW	5305-99-122-5363								1
	MYH3098	ADAPTOR-PUMP-FEED PIPE TO STEERING BOX									1

GROUP PBB



POWER STEERING PIPING AND RESERVOIR

PERENTIE LAND ROVER PARTS LIST

PBB/1/1

POWER STEERING PIPING AND RESEVOIR

<u>ITEM</u>	<u>PART NO.</u>	<u>DESCRIPTION</u>	<u>NSN</u>	<u>DERIVATIVE CODE</u>								
				<u>2188</u>	<u>2189</u>	<u>2190</u>	<u>2191</u>	<u>2192</u>	<u>2194</u>	<u>2195</u>	<u>2207</u>	<u>CP</u>

AYG6037

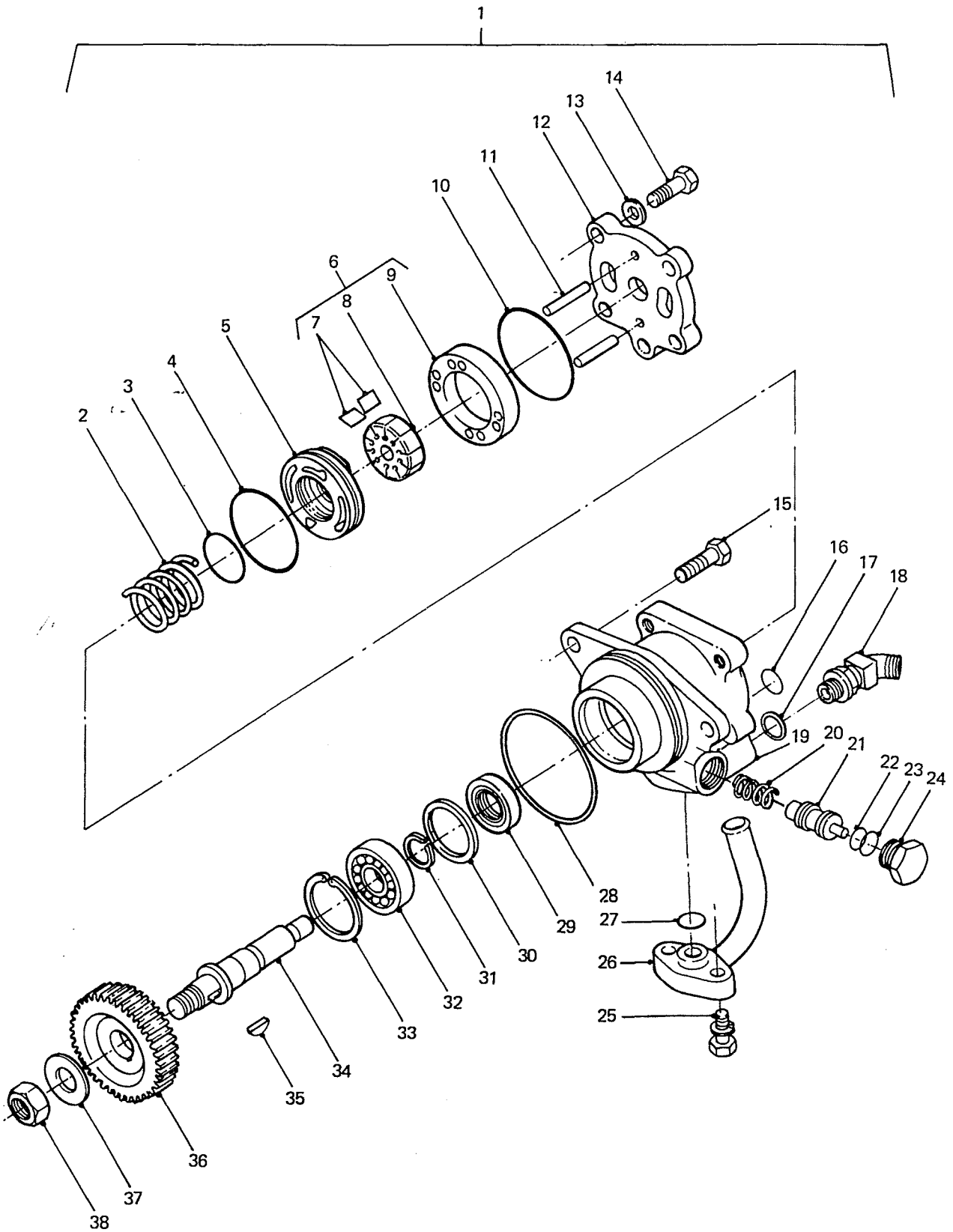
ADAPTOR-PUMP

1

CHANGE POINT

ARN INTRODUCTION

GROUP PBC

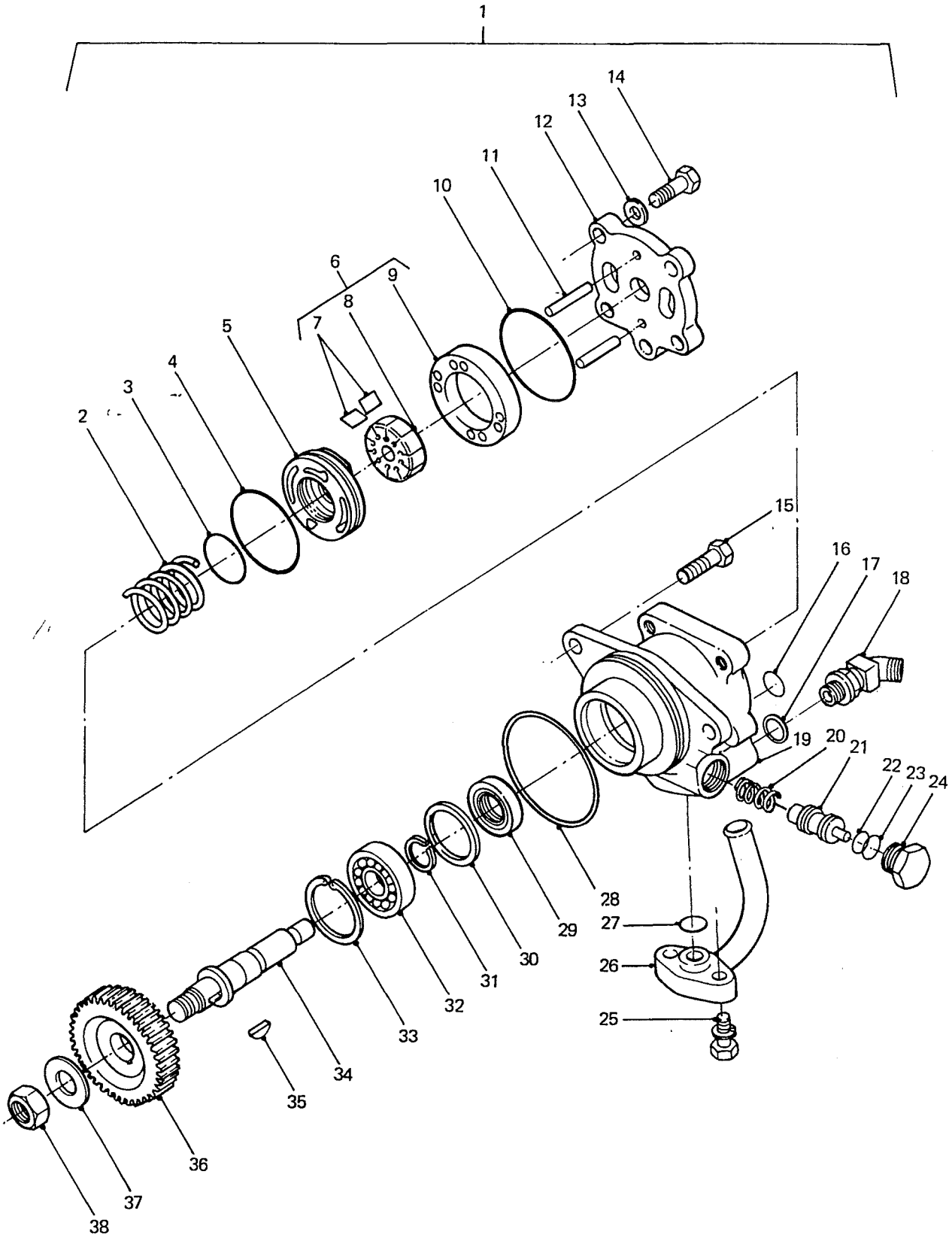


POWER STEERING PUMP ASSEMBLY

PERENTIE LAND ROVER PARTS LIST

ITEM	PBC/1/1 PART NO.	POWER STEERING PUMP ASSEMBLY DESCRIPTION	NSN	DERIVATIVE CODE										
				2188	2189	2190	2191	2192	2194	2195	2207	CP		
1	5195000462	PUMP-POWER STEERING	2530-66-128-5731											1
2	5095860100	SPRING-PUMP												1
3	NSS	PART OF O.RING KIT 5096230660 & SEAL KIT 5096250740												
4	NSS	PART OF O.RING 5096230660 & SEAL KIT 5096250740												
5	5195290060	PLATE-PUMP												1
6	5195200050	CARTRIDGE-PUMP (INCL ITEMS 7-9)												1
7	NSS													
8	NSS													
9	NSS													
10	NSS	PART OF O.RING KIT 5096230660 & SEAL KIT 5096250740												
11	5097400190	DOWEL												2
12	5195140010	COVER-PUMP												1
13	089151401A	WASHER-LOCK	5310-66-128-4424											4
14	9020510280	BOLT												4
15	5090000890	BOLT-PAS PUMP	5306-66-128-4613											3
16	NSS	PART OF O.RING KIT 5096230660 & SEAL KIT 5096250740												
17	5096230640	O.RING - PART OF SEAL KIT 5096250740		1	1	1	1	1	1	1	1	1	1	1
18	5096540180	CONNECTOR												1
19	5195100040	BODY-PAS PUMP												1
20	5095860110	SPRING-PUMP												1
21	5195100050	VALVE-RELIEF												1
22	5096230620	O.RING - PART OF SEAL KIT 5096250740												1

GROUP PBC



POWER STEERING PUMP ASSEMBLY

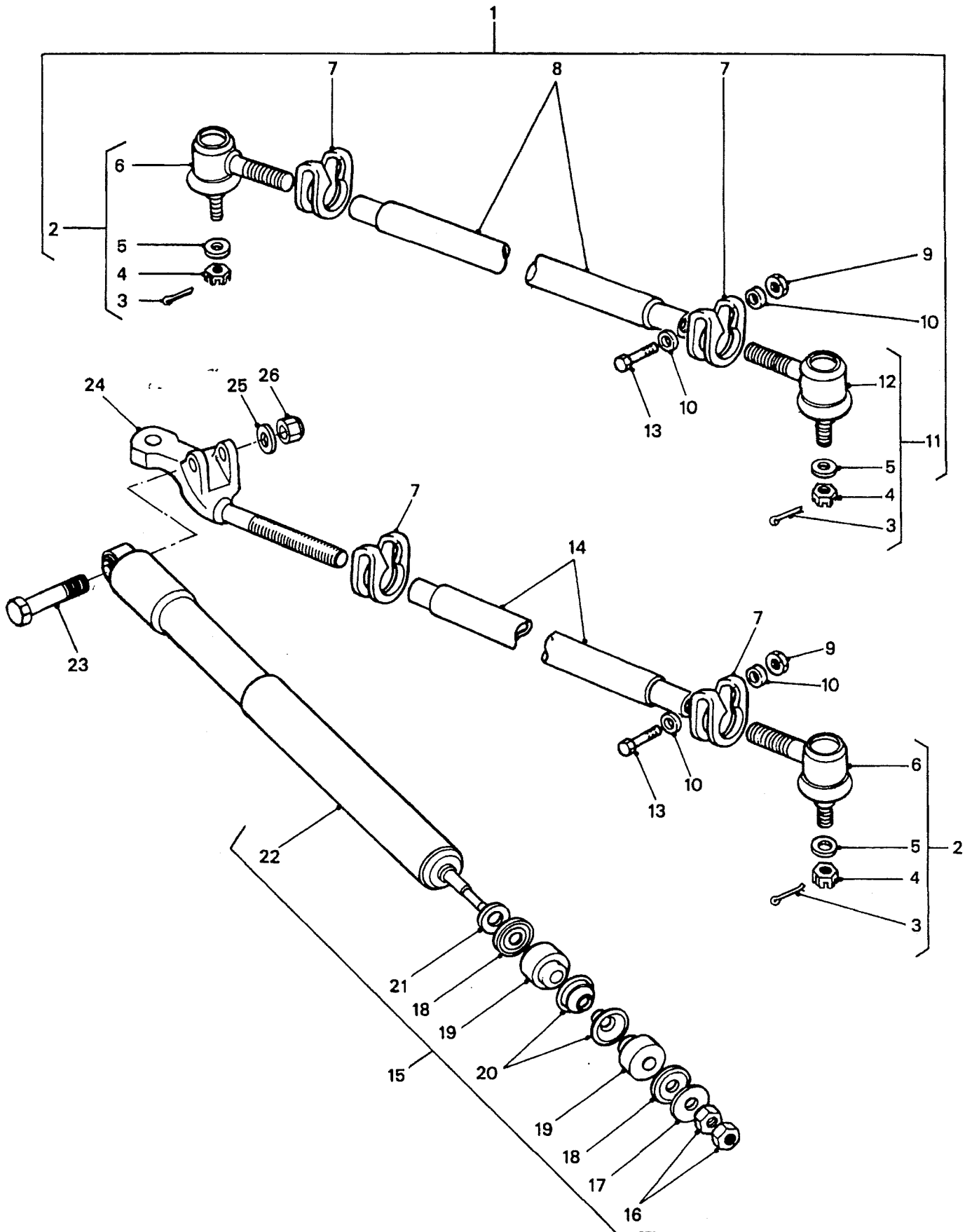
PERENTIE LAND ROVER PARTS LIST

<u>ITEM</u>	<u>PART NO.</u>	<u>DESCRIPTION</u>	<u>NSN</u>	<u>DERIVATIVE CODE</u>											
				<u>2188</u>	<u>2189</u>	<u>2190</u>	<u>2191</u>	<u>2192</u>	<u>2194</u>	<u>2195</u>	<u>2207</u>	<u>CP</u>			
23	5096230630	O.RING - PART OF SEAL KIT 5096250740													1
24	5096000120	PLUG													1
25	0812081620	BOLT-PAS PUMP													2
26	5133112580	PIPE-OIL													1
27	9095612140	O RING - PART OF SEAL KIT 5096250740	5330-66-128-5732												1
28	NSS	PART OF SEAL KIT 5096250740													
29	NSS	PART OF SEAL KIT 5096250740													
30	5195290050	COLLAR-PUMP													1
31	5095880350	RING-SNAP	5365-66-128-5733												1
32	5098010080	BEARING-PUMP	3110-66-128-5734												1
33	5095880340	RING-SNAP	5365-66-128-5735												1
34	5195210030	SHAFT-PUMP													1
35	9080554130	KEY-WOODRUFF	5315-66-128-5736												1
36	5195810050	GEAR-PAS PUMP													1
37	5095330070	WASHER	5310-66-128-5737												1
38	9991114160	NUT	5310-66-128-5738												1
39	5096230660	KIT-O RING (INCL ITEMS 3,4,10,16) PART OF SEAL KIT 5096250740													1
	5096250740	KIT-SEALS-PUMP(INCL 3,4,10,16,17,22,23,28,2 9)	4320-66-128-4356												1

CHANGE POINT

ARN INTRODUCTION

GROUP PCA



STEERING LINKAGE AND DAMPER

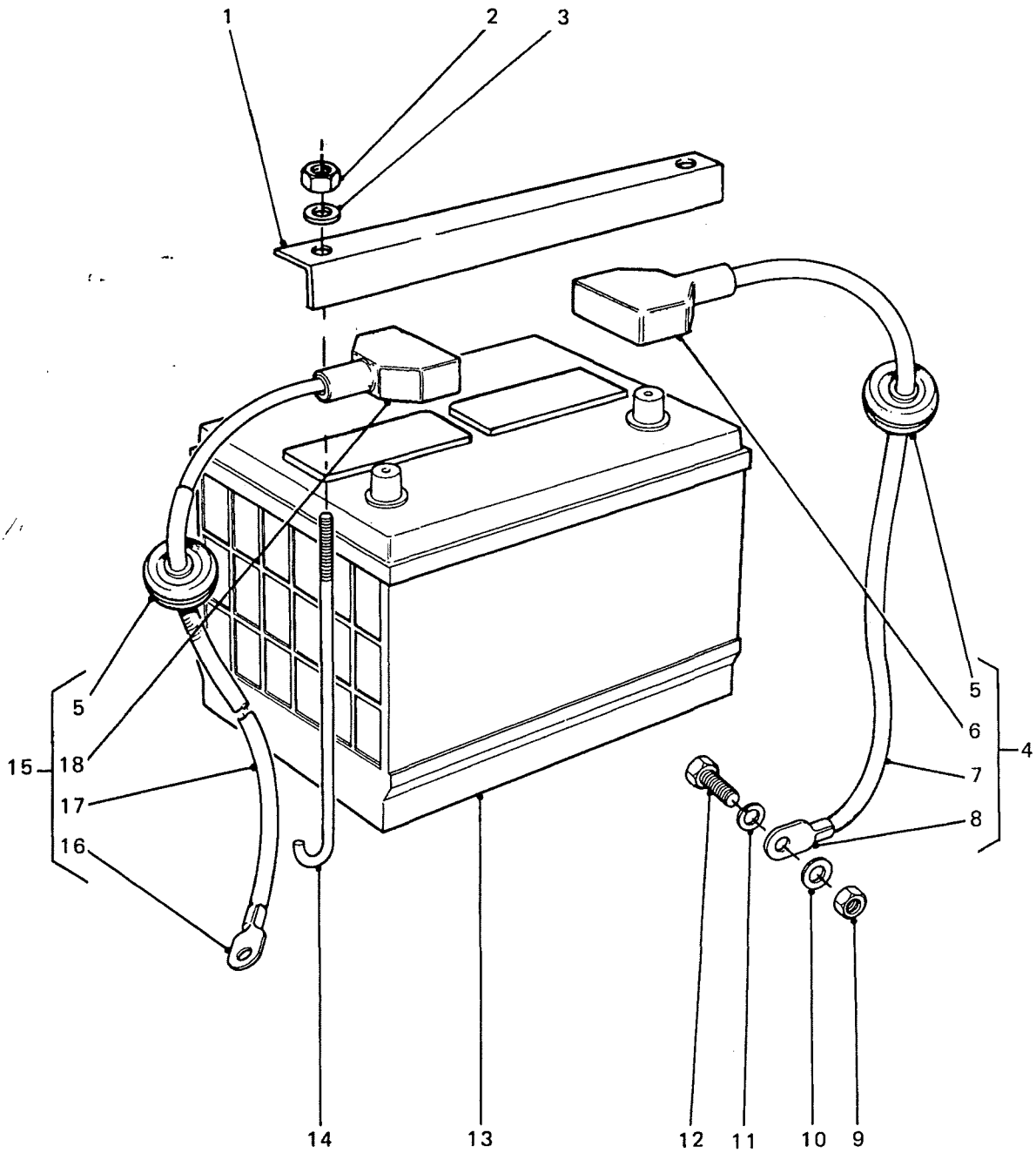
PERENTIE LAND ROVER PARTS LIST

ITEM	PCA/1/1 PART NO.	STEERING LINKAGE AND DAMPER DESCRIPTION	NSN	DERIVATIVE CODE							
				2188	2189	2190	2191	2192	2194	2195	2207 CP
1	AYG6105	TRACK ROD ASSY	2530-66-128-4660	1	1	1	1	1	1	1	1
2	RTC5869	BALL JOINT-RH	2530-99-738-0279	2	2	2	2	2	2	2	2
3	PS105321	SPLIT PIN	5315-66-128-4903	3	3	3	3	3	3	3	3
4	NC112041	NUT	5310-66-128-4862	3	3	3	3	3	3	3	3
5	WC112081L	WASHER-PLAIN	5310-99-122-6477	3	3	3	3	3	3	3	3
6	NSS										
7	R577898	CLAMP	2530-99-813-0203	6	6	6	6	6	6	6	6
8	AYG6104	TUBE TRACK ROD		1	1	1	1	1	1	1	1
9	NY604041L	NUT-NYLOC	5310-99-941-3524	6	6	6	6	6	6	6	6
10	WA106041L	WASHER-PLAIN	5310-66-098-4440	12	12	12	12	12	12	12	12
11	RTC5870	BALL JOINT-LH	2530-99-839-5440	1	1	1	1	1	1	1	1
12	NSS										
13	BH604151L	BOLT	5306-99-127-7116	6	6	6	6	6	6	6	6
14	NRC9741	TUBE-CROSSROD	2530-66-128-4661	1	1	1	1	1	1	1	1
15	RTC4472	STEERING DAMPER	2530-99-839-5441	1	1	1	1	1	1	1	1
16	AFU4214	NUT-M10	5310-99-729-2353	2	2	2	2	2	2	2	2
17	WJ110001	WASHER-PLAIN	5310-99-785-2434	1	1	1	1	1	1	1	1
18	90575597	WASHER-STEM	5310-99-721-3502	2	2	2	2	2	2	2	2
19	R568858	BUSH-DAMPER	5340-99-807-3231	2	2	2	2	2	2	2	2
20	R543819	WASHER-INTERMEDIATE	5310-99-807-3230	2	2	2	2	2	2	2	2
21	R595199	WASHER-PLAIN	5310-99-728-6146	1	1	1	1	1	1	1	1
22	NSS										
23	BH110121L	BOLT	5305-99-122-8668	1	1	1	1	1	1	1	1
24	NRC8231	EYE END-CROSSROD	2530-99-797-7068	1	1	1	1	1	1	1	1
25	WA110061L	WASHER-PLAIN	5310-99-122-6476	1	1	1	1	1	1	1	1
26	NY110041L	NUT-NYLOC	5310-99-122-5497	1	1	1	1	1	1	1	1
	NTC1775	BUSHES-STEERING DAMPER	2530-66-128-4664	1	1	1	1	1	1	1	1

CHANGE POINT

ARN INTRODUCTION

GROUP QB/1



BATTERY AND CABLES

PERENTIE LAND ROVER PARTS LIST

<u>ITEM</u>	<u>QB /1/1</u> <u>PART NO.</u>	<u>BATTERY AND CABLES</u> <u>DESCRIPTION</u>	<u>NSN</u>	<u>DERIVATIVE CODE</u>							<u>CP</u>
				<u>2188</u>	<u>2189</u>	<u>2190</u>	<u>2191</u>	<u>2192</u>	<u>2194</u>	<u>2195</u>	
1	MUC7513	CLAMP-BATTERY	2540-66-128-5225	1	1	1	1	1	1	1	
2	NY106041L	NUT-NYLOC	5310-99-138-8423	2	2	2	2	2	2	2	
3	WC106041L	WASHER-PLAIN		2	2	2	2	2	2	2	
4	AYG9715	CABLE-BATTERY -NEGATIVE	6140-66-128-4808	1	1	1	1	1	1	1	
5	MYH2915	GROMMET	5325-66-128-4940	1	1	1	1	1	1	1	
6	NSS										
7	NSS										
8	AYH9124	TERMINAL LUG	5940-66-107-1754	1	1	1	1	1	1	1	
9	FN108041	NUT	5310-99-499-8033	1	1	1	1	1	1	1	
10	WA108051L	WASHER-PLAIN	5310-99-122-6475	2	2	2	2	2	2	2	
11	WL108001L	WASHER-LOCK	5310-99-137-9231	1	1	1	1	1	1	1	
12	FS108201	SCREW		1	1	1	1	1	1	1	
13	NSS										
14	MUC7514	J-BOLT-BATTERY	5306-66-128-5244	1	1	1	1	1	1	1	
14	STC307	J-BOLT-BATTERY		1	1	1	1	1	1	1	
14	STC307	J-BOLT-BATTERY		2	2	2	2	2	2	2	01
15	AYG9880	CABLE-BATTERY-POSITIVE	6140-66-128-4809	1	1	1	1	1	1	1	
17	NSS										
18	NSS										
	AAU3686	STRAP-POSITIVE CABLE	5975-99-787-7254	1	1	1	1	1	1	1	
	PRC3025	CLIP DOUBLE-BATTERY CABLE		1	1	1	1	1	1	1	

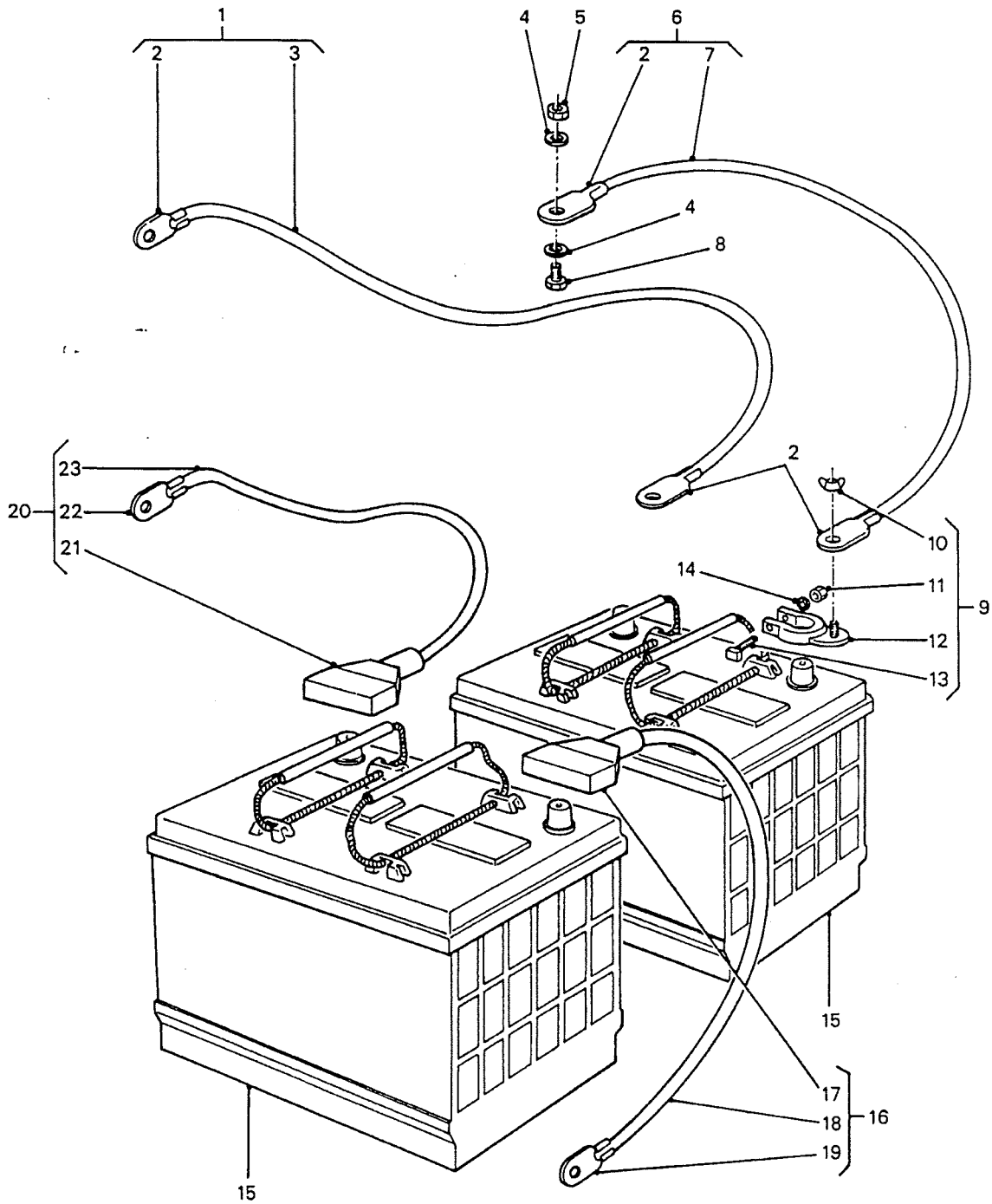
CHANGE POINT

1

ARN INTRODUCTION

51-440 SOFT TOP CARGO

GROUP QB/2



**BATTERY AND CABLES
- RFSV ONLY**

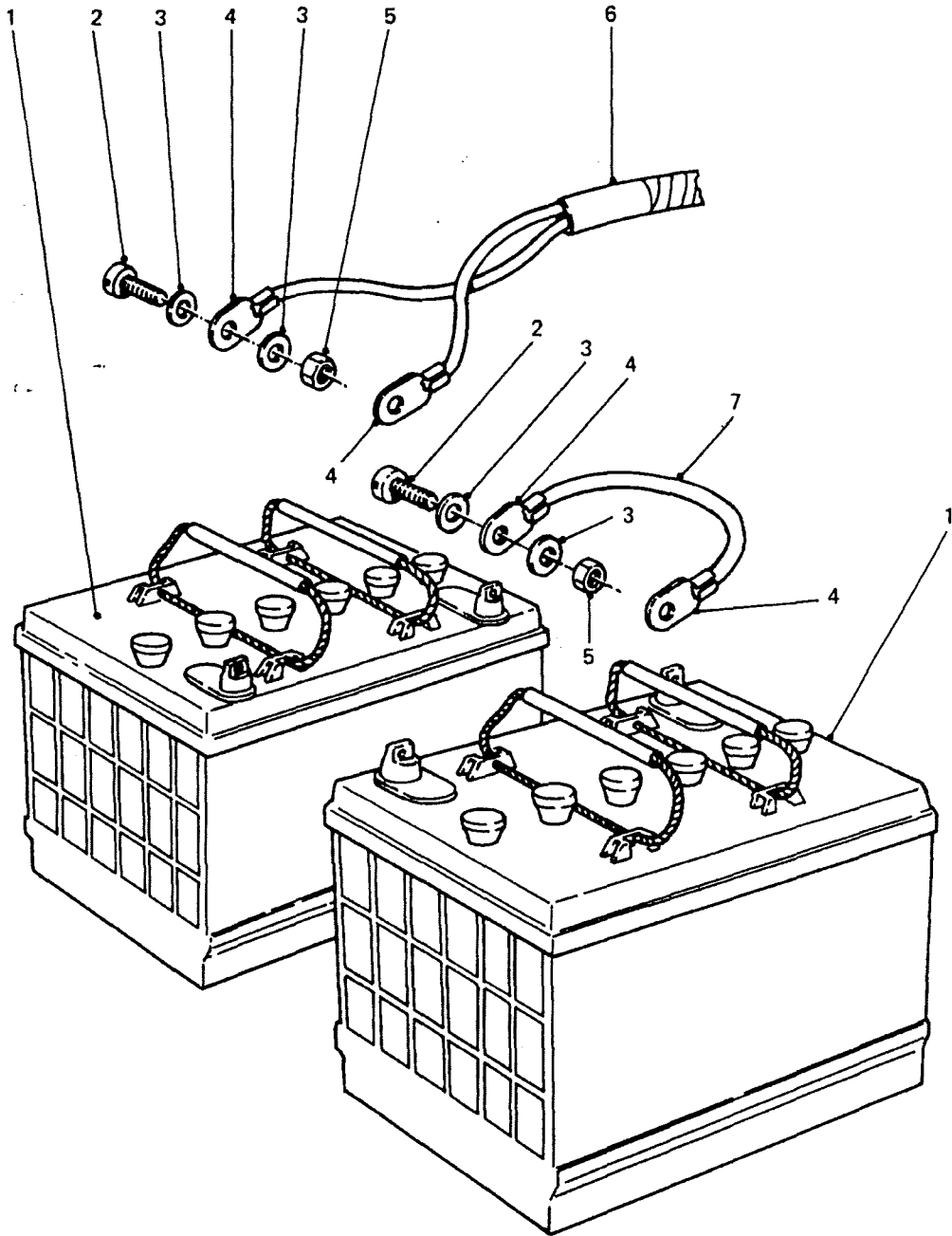
PERENTIE LAND ROVER PARTS LIST

<u>ITEM</u>	<u>PART NO.</u>	<u>DESCRIPTION</u>	<u>NSN</u>	<u>DERIVATIVE CODE</u>								
				<u>2188</u>	<u>2189</u>	<u>2190</u>	<u>2191</u>	<u>2192</u>	<u>2194</u>	<u>2195</u>	<u>2207</u>	<u>CP</u>
	MYH1940	CABLE TIE-POSITIVE CABLES	5340-99-618-3776									1
	MYH1763	CABLE TIE-POSITIVE CABLE	5975-12-199-8964									1
	CP106121	"P" CLIP-POSITIVE CABLE										1
	MYH3337	SCREW- "P" CLIP	5305-66-128-5341									1

CHANGE POINT

ARN INTRODUCTION

GROUP QBA/1



BATTERIES AND CABLES - FFR

PERENTIE LAND ROVER PARTS LIST

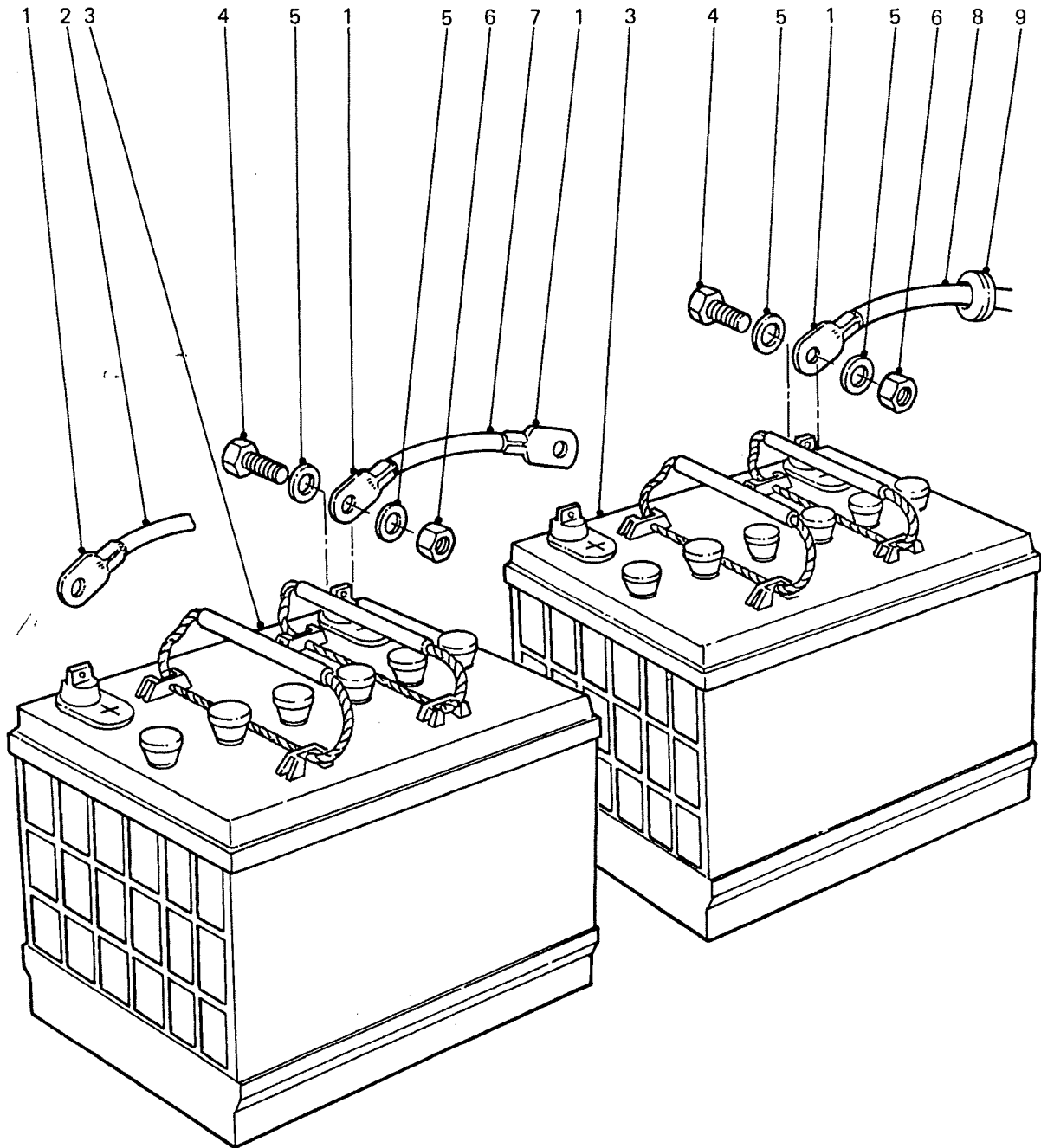
QBA/1/1 BATTERIES AND CABLES - FFR

<u>ITEM</u>	<u>PART NO.</u>	<u>DESCRIPTION</u>	<u>NSN</u>	<u>DERIVATIVE CODE</u>									
				<u>2188</u>	<u>2189</u>	<u>2190</u>	<u>2191</u>	<u>2192</u>	<u>2194</u>	<u>2195</u>	<u>2207</u>	<u>CP</u>	
1	AYG9827	BATTERY-RADIO	6140-66-128-4762										
2	SE106251	SCREW	5305-99-135-0442			8	8	8					
3	WA106041L	WASHER-PLAIN	5310-66-098-4440			12	12	12					
4	NSS		5940-66-076-3624										
5	NY106041L	NUT-NYLOC	5310-99-138-8423			8	8	8					
6	AYG9919	CABLE-RADIO BATTERIES	6140-66-128-5324			1	1	1					
7	AYG9920	CABLE-LINK-RADIO BATTERIES	6140-66-128-5322			2	2	2					

CHANGE POINT

ARN INTRODUCTION

GROUP QBA/2



BATTERIES AND CABLES – SENIOR COMMANDER VEHICLE

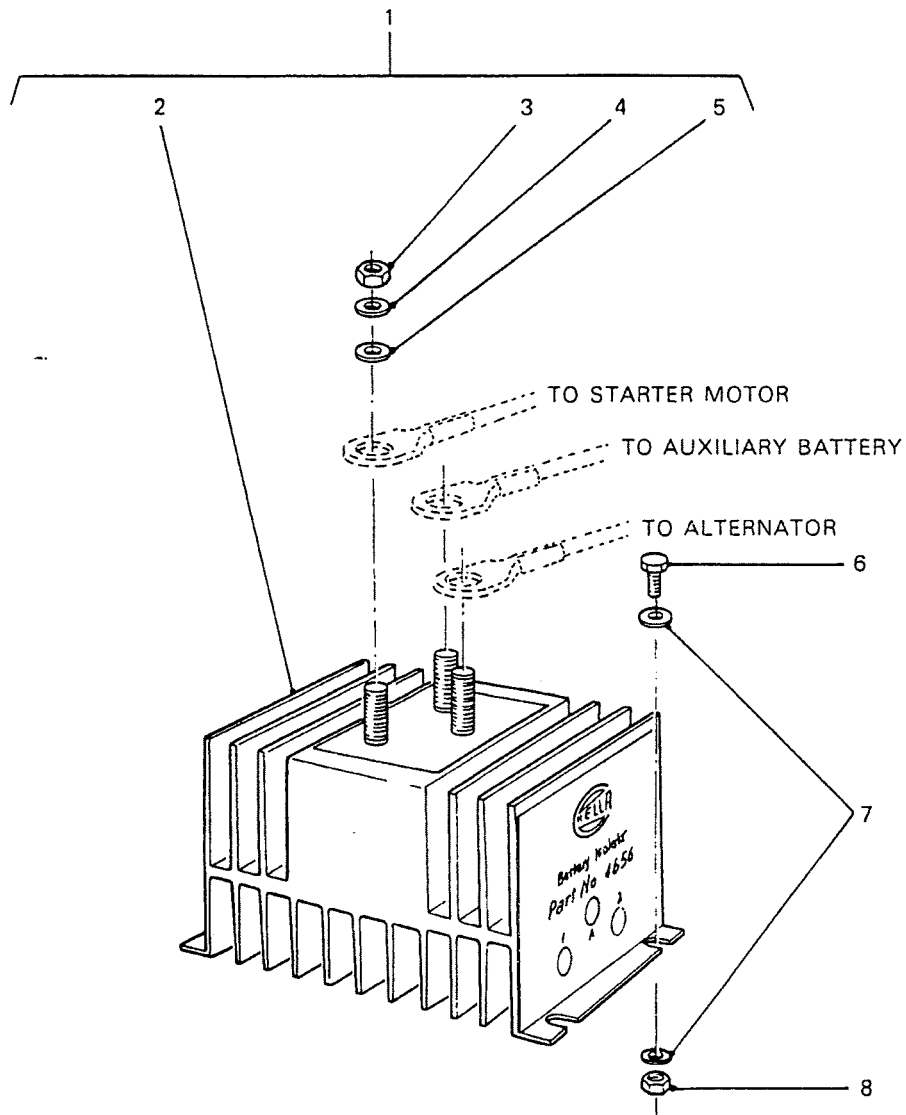
PERENTIE LAND ROVER PARTS LIST

ITEM	PART NO.	DESCRIPTION	NSN	DERIVATIVE CODE									
				2188	2189	2190	2191	2192	2194	2195	2207	CP	
1	NSS		5940-66-076-3624										
2	AYG9930	CABLE-BATTERY	6140-66-128-5327									1	
3	AYG9827	BATTERY-RADIO	6140-66-128-4762									1	
4	SE106251	SCREW	5305-99-135-0442									4	
5	WA106041L	WASHER-PLAIN	5310-66-098-4440									8	
6	NY106041L	NUT-NYLOC	5310-99-138-8423									4	
7	AYG9920	CABLE-LINK-RADIO BATTERIES	6140-66-128-5322									1	
8	AYG9929	CABLE-EARTH-RADIO BATTERIES	6140-66-128-5328									1	
9	NSS		5325-66-128-5357										
	MYH5256/1000	SPIREWAP (BATTERY CABLES TO DISTRIBUTOR BOX)										2	

CHANGE POINT

ARN INTRODUCTION

GROUP QBC



**BATTERY ISOLATOR
- RFSV ONLY**

PERENTIE LAND ROVER PARTS LIST

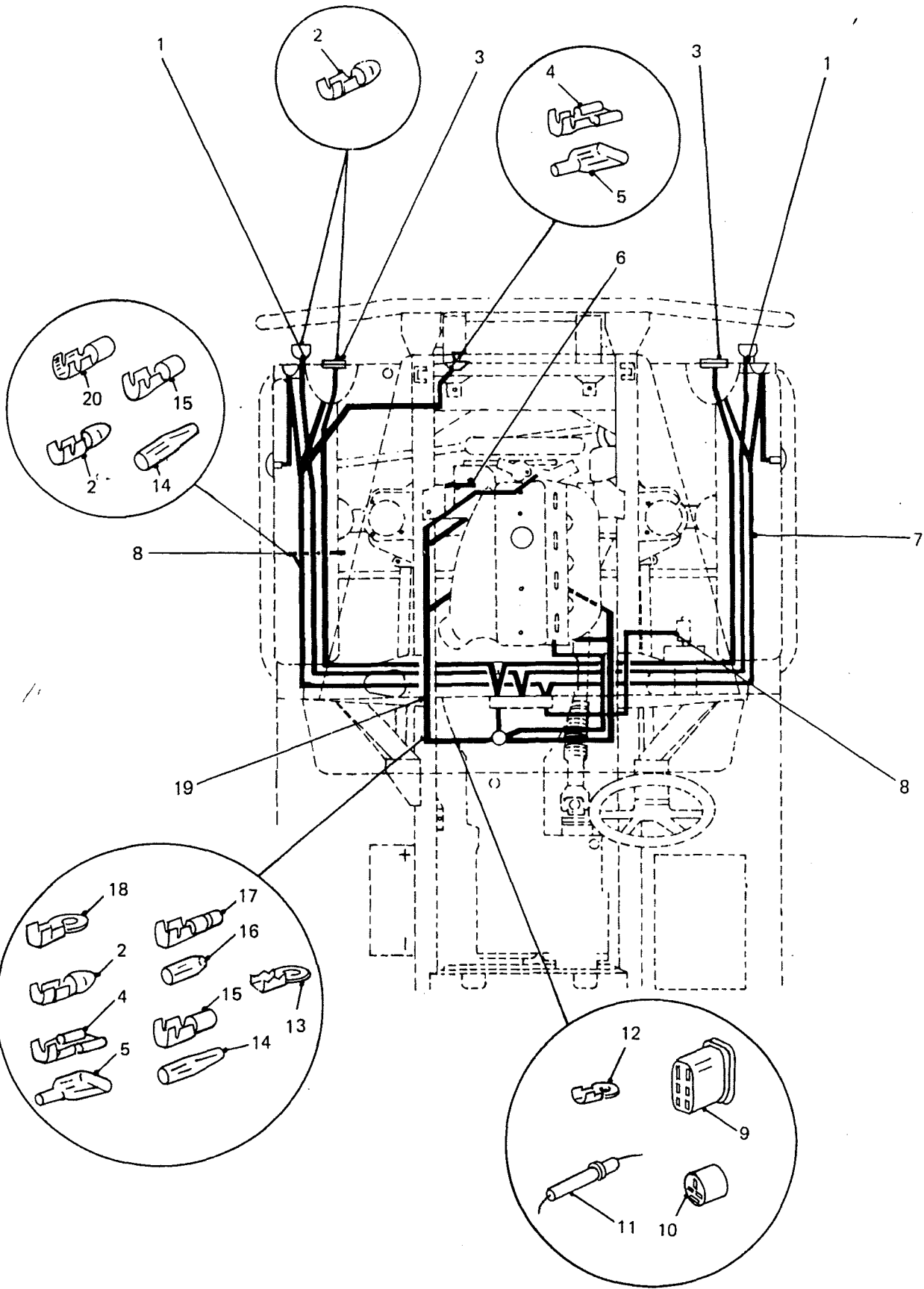
QBC/1/1 BATTERY ISOLATOR - RFSV ONLY

<u>ITEM</u>	<u>PART NO.</u>	<u>DESCRIPTION</u>	<u>NSN</u>	<u>DERIVATIVE CODE</u>							<u>CP</u>	
				<u>2188</u>	<u>2189</u>	<u>2190</u>	<u>2191</u>	<u>2192</u>	<u>2194</u>	<u>2195</u>		<u>2207</u>
1	BYG9097	ISOLATER-BATTERY	2920-66-128-6185									1
2	NSS											
3	NSS											
4	NSS											
5	NSS											
6	SH105161	SCREW										4
7	WA105001L	WASHER-PLAIN										4
8	NY105041L	NUT-NYLOC										4

CHANGE POINT

ARN INTRODUCTION

GROUP QC /1

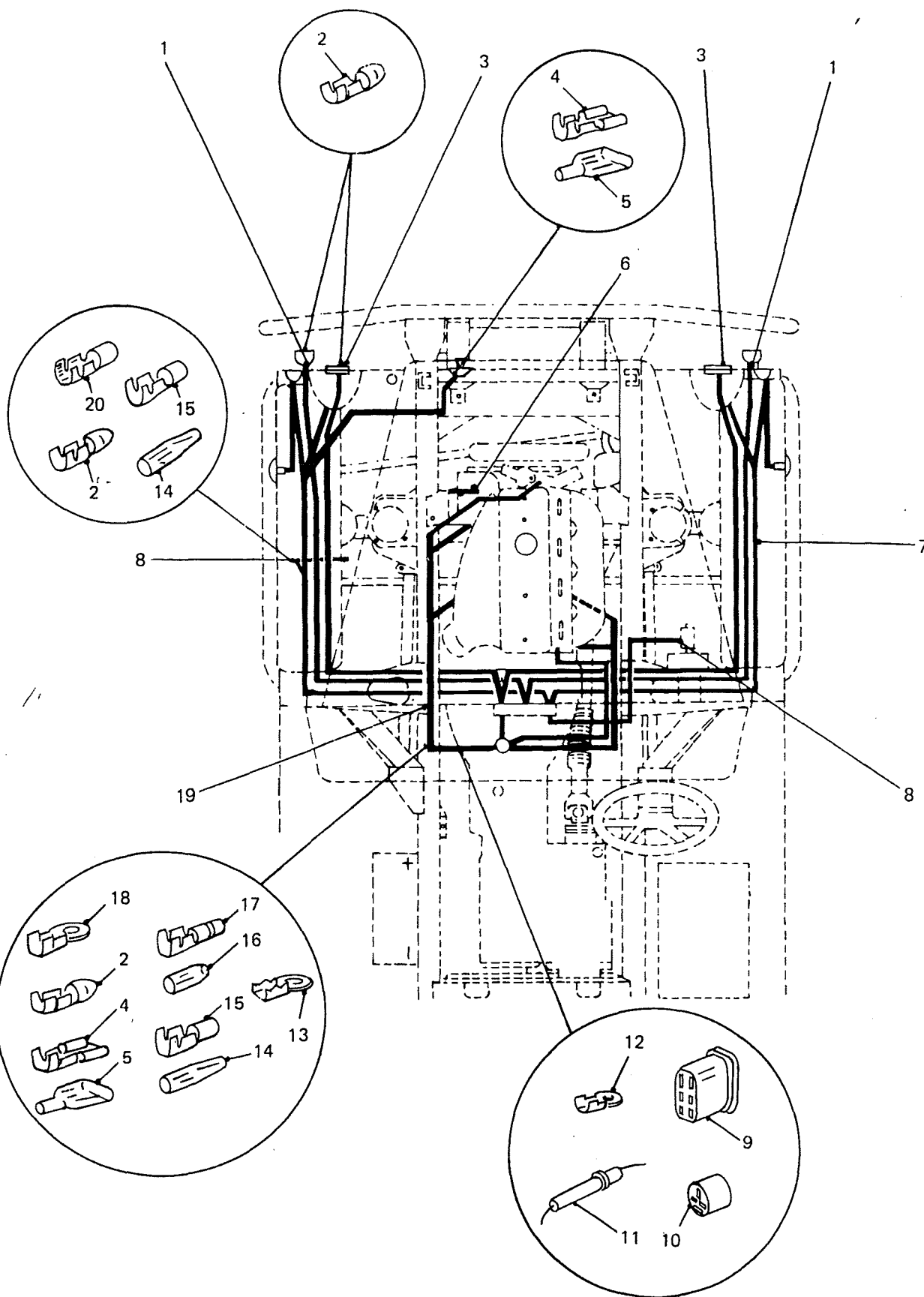


FRONT WIRING HARNESSES AND FITTINGS

PERENTIE LAND ROVER PARTS LIST

ITEM	QC /1/1 PART NO.	FRONT WIRING HARNESSES AND FITTINGS DESCRIPTION	NSN	DERIVATIVE CODE							
				2188	2189	2190	2191	2192	2194	2195	2207 CP
1	AYG9762	HARNESS-FRONT MARKER LAMPS		1	1	1	1	1	1	1	
2	MYH2565	TERMINAL (PART OF ITEM 1,3 & 8)	5940-66-128-4737	7	7	7	7	7	7	7	
3	AYG9741	CABLE-EXTENSION -BLACKOUT LIGHT-SIDE LAMP		2	2	2	2	2	2	2	
4	NSS		5940-66-077-0138								
5	NSS		5975-66-065-2592								
6	AYG9597	CABLE-EARTH	5999-66-128-4899	1	1	1	1	1	1	1	
7		MAIN HARNESS (REFER SECTION QH)		1	1	1	1	1	1	1	
8	AYG6700	HARNESS-BRAKE PAD INDICATOR		1	1	1	1	1	1	1	
9	NSS										
10	NSS										
11	H116	FUSE HOLDER	5920-66-099-7499	1	1	1	1	1	1	1	
12	NSS		5940-66-076-3628								
13	NSS		5940-66-017-9957								
14	NSS		5970-66-128-4715								
15	NSS		5940-66-102-4112								
16	NSS										
17	NSS		5940-66-128-4738								
18	NSS		5940-66-096-4592								
19	AYG9849	HARNESS-ENGINE	6150-66-128-4900	1	1	1	1	1	1	1	
19	BYG9114	HARNESS-ENGINE	6150-66-128-4900	1	1	1	1				
20	NSS		5940-66-128-4714	1	1	1	1	1	1	1	
	MYH1940	CABLE TIE-RELAY CONNECTOR	5340-99-618-3776	1	1	1	1	1	1		
	BYG9073	FUSE BOX		1	1	1	1				

GROUP QC /1



FRONT WIRING HARNESSES AND FITTINGS

PERENTIE LAND ROVER PARTS LIST

QC /1/1

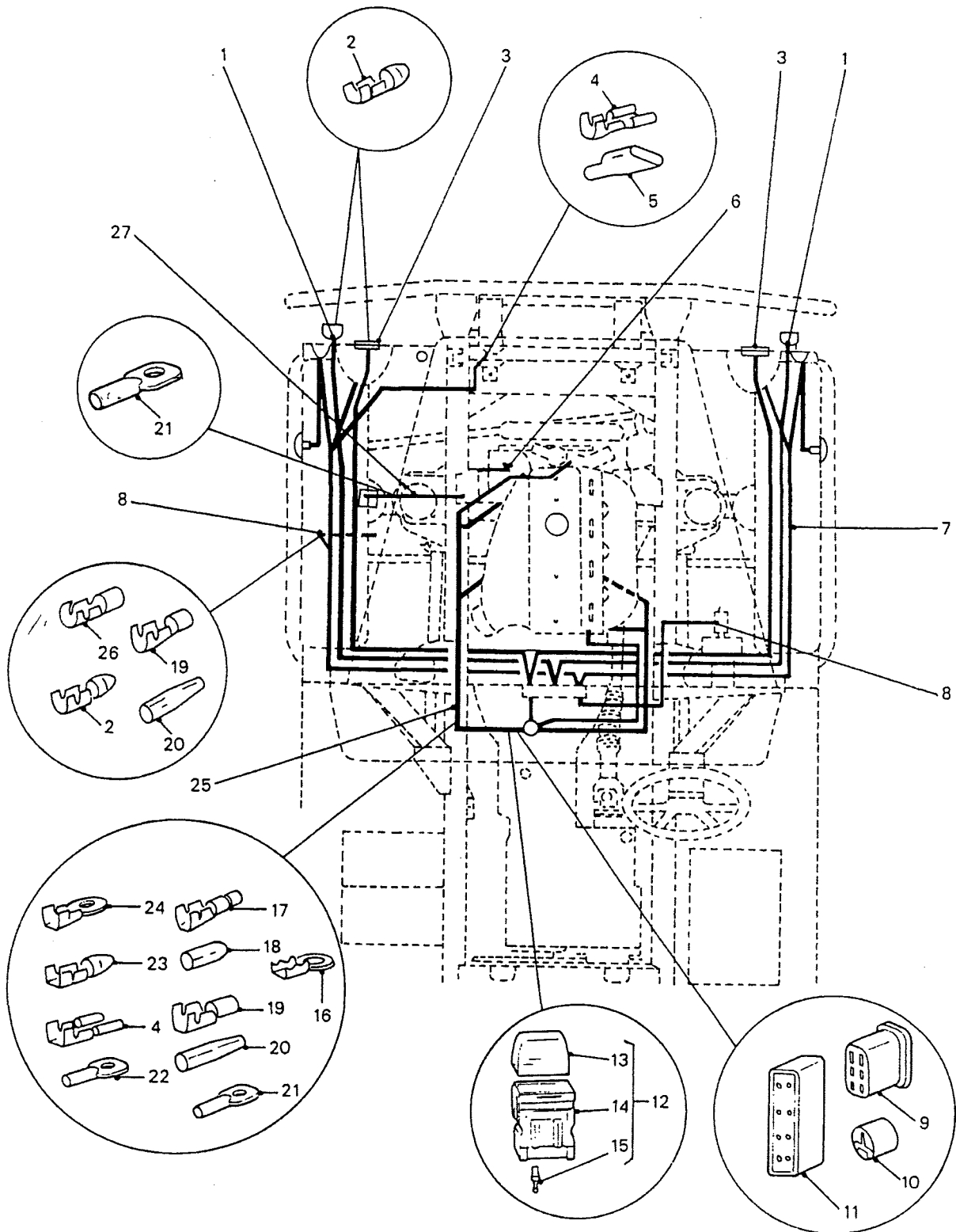
FRONT WIRING HARNESSES AND FITTINGS

<u>ITEM</u>	<u>PART NO.</u>	<u>DESCRIPTION</u>	<u>NSN</u>	<u>DERIVATIVE CODE</u>							
				<u>2188</u>	<u>2189</u>	<u>2190</u>	<u>2191</u>	<u>2192</u>	<u>2194</u>	<u>2195</u>	<u>2207</u>
	AYG9768	CABLE-DIMMER SWITCH TO MAIN HARNESS		1	1	1	1	1	1	1	
	PRC3053	LEAD-VOLTMETER TO INSTRUMENT HARNESS		1	1	1	1	1	1	1	

CHANGE POINT

ARN INTRODUCTION

GROUP QC/2 SHEET 1

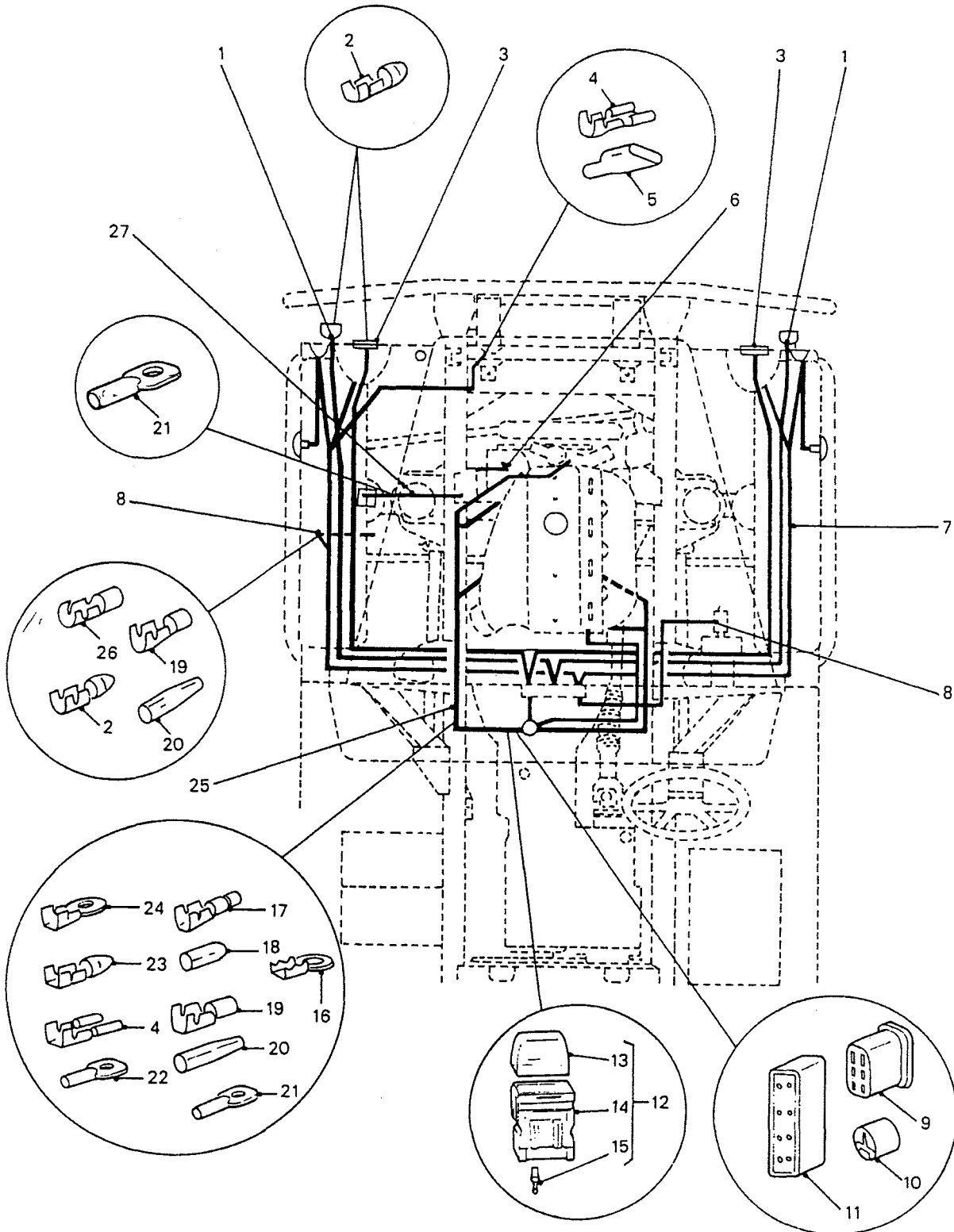


FRONT WIRING HARNESSES AND FITTINGS - RFSV ONLY

PERENTIE LAND ROVER PARTS LIST

ITEM	QC /2/1 PART NO.	DESCRIPTION	NSN	DERIVATIVE CODE							CP
				2188	2189	2190	2191	2192	2194	2195	
1	AYG9762	HARNESS-FRONT MARKER LAMPS									1
2	MYH2565	TERMINAL-UTILUX	5940-66-128-4737								6
3	AYG9741	CABLE-EXTENSION -BLACKOUT LIGHT-SIDE LAMP									2
4	NSS		5940-66-077-0138								
5	NSS		5975-66-065-2592								
6	AYG9597	CABLE-EARTH	5999-66-128-4899								1
7		MAIN HARNESS (REFER SECTION QH)									
8	AYG9700	HARNESS-BRAKE PAD INDICATOR									1
9	NSS										
10	NSS										
11	NSS										
12	BYG9073	FUSEBOX-BLADE TYPE									1
13	NSS										
14	NSS										
15	NSS										
16	NSS		5940-66-128-6184								
17	NSS										
18	NSS										
19	NSS		5940-66-102-4112								
20	NSS		5970-66-128-4715								
21	NSS		5940-66-120-1710								
22	NSS		5940-66-076-3628								
23	MYH2565	TERMINAL-UTILUX	5940-66-128-4737								8
24	NSS										
25	BYG9114	HARNESS-ENGINE	6150-66-128-4900								1

GROUP QC/2 SHEET 1



FRONT WIRING HARNESSES AND FITTINGS - RFSV ONLY

PERENTIE LAND ROVER PARTS LIST

QC /2/1

FRONT WIRING HARNESSES AND FITTINGS - RFSV ONLY

DERIVATIVE CODE

ITEM PART NO. DESCRIPTION NSN 2188 2189 2190 2191 2192 2194 2195 2207 CP

26 NSS

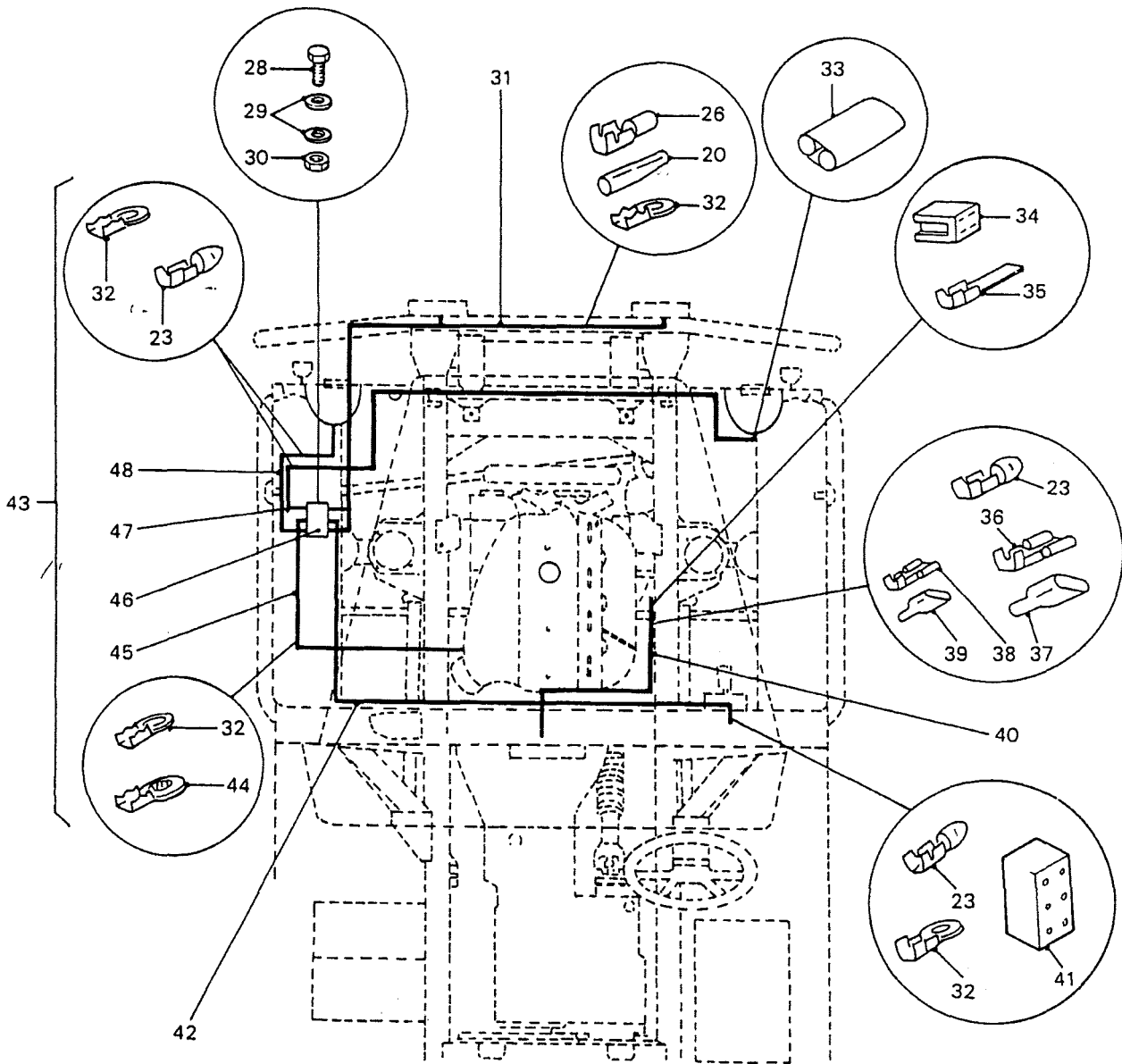
27 BYG9252 CABLE-LINK-BATTERY

1

CHANGE POINT

ARN INTRODUCTION

GROUP QC/2 SHEET 2

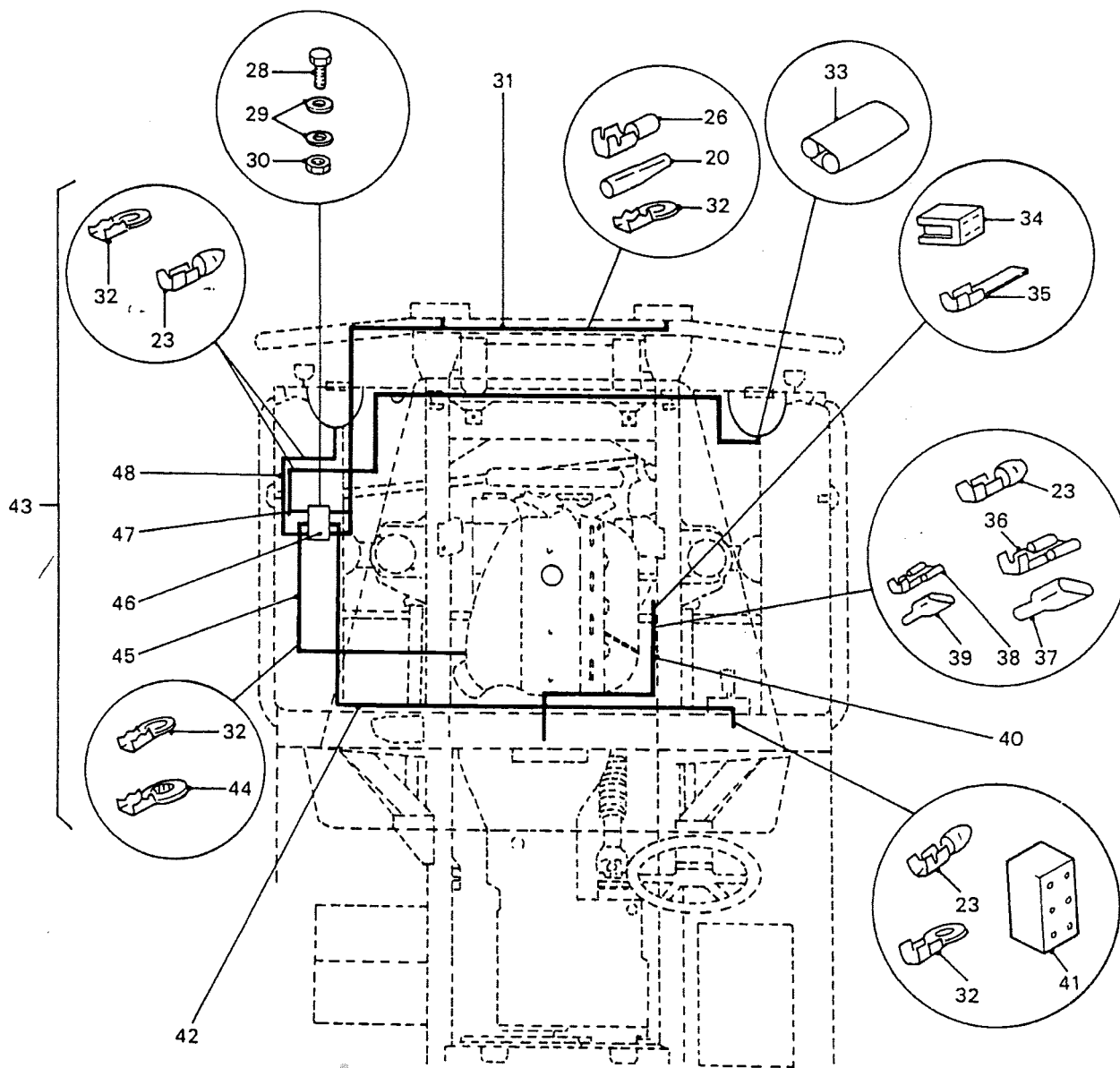


FRONT WIRING HARNESSES AND FITTINGS - RFSV ONLY

PERENTIE LAND ROVER PARTS LIST

ITEM	PART NO.	DESCRIPTION	NSN	DERIVATIVE CODE							CP
				2188	2189	2190	2191	2192	2194	2195	
20	NSS		5970-66-128-4715								
23	MYH2565	TERMINAL-UTILUX	5940-66-128-4737								6
26	NSS										
28	FS106161	SCREW									2
29	WA106041L	WASHER-PLAIN	5310-66-098-4440								4
30	NY106041L	NUT-NYLOC	5310-99-138-8423								2
31	BYG9127	HARNESS -DRIVING LIGHTS									1
32	NSS		5940-66-017-9980								
33	NSS		5940-66-038-8141								
34	NSS										
35	NSS										
36	NSS		5940-66-033-2813								
37	NSS										
38	NSS		5940-66-077-0137								
39	NSS										
40	BYG9094	HARNESS-SPEED SENSOR TO TRIP METER									1
41	AYG9806	CONNECTOR-6 PIN (PART OF ITEM 42)									1
42	BYG9100	HARNESS-DRIVING LIGHT SWITCHES									1
43	BYG9099	HARNESS-DRIVING LIGHT RELAY									1
44	NSS		5940-66-128-6186								
45	NSS										
46	NSS		5945-66-128-6239								
47	NSS										
48	NSS										
	C393771L	CABLE STRAP-ENGINE HARNESS									3

GROUP QC/2 SHEET 2

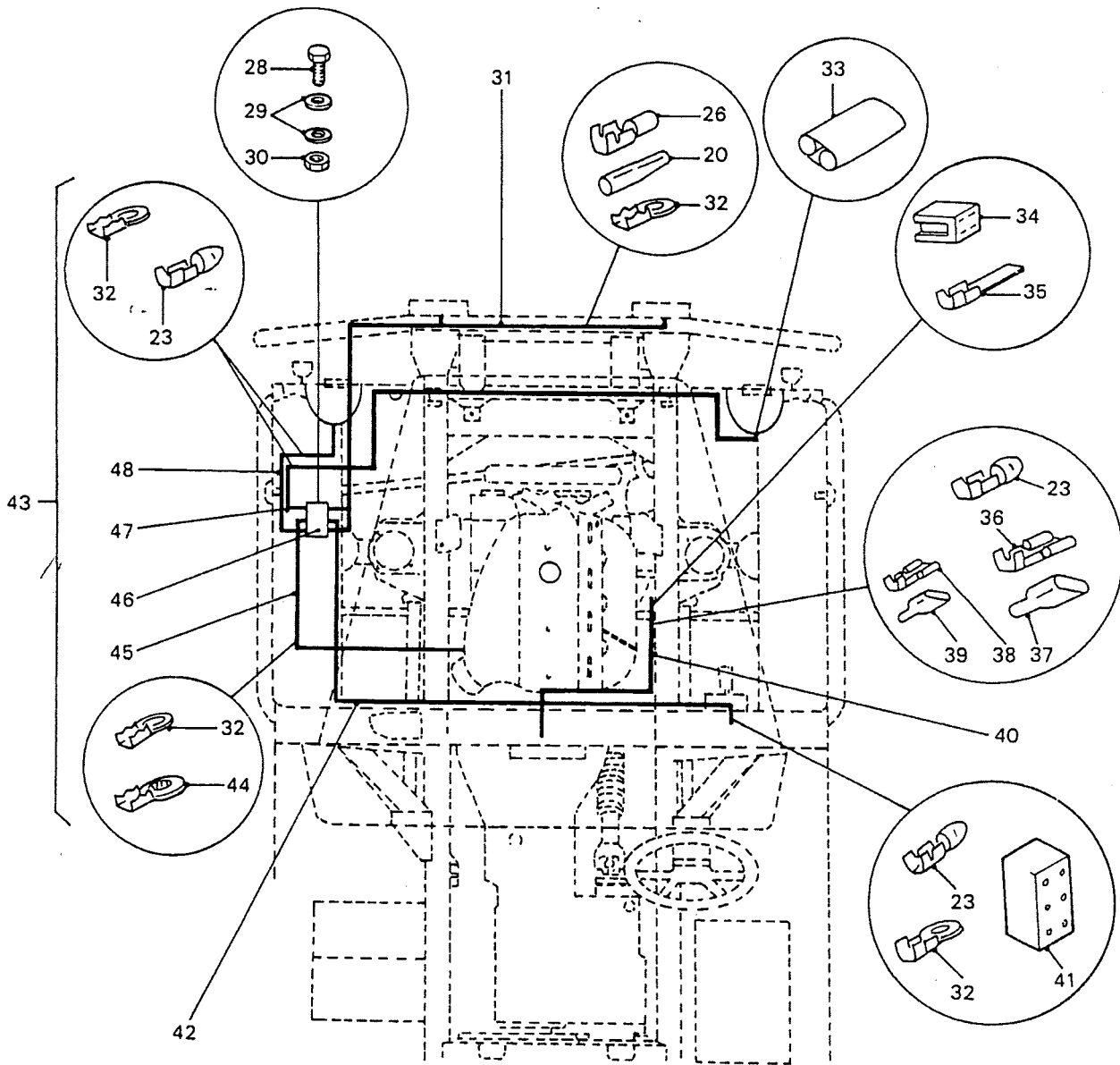


FRONT WIRING HARNESSES AND FITTINGS – RFSV ONLY

PERENTIE LAND ROVER PARTS LIST

ITEM	PART NO.	DESCRIPTION	NSN	DERIVATIVE CODE							CP
				2188	2189	2190	2191	2192	2194	2195	
	QC 12/2	FRONT WIRING HARNESS AND FITTINGS - RFSV ONLY									
	AB608047	SCREW-CABLE STRAP									1
	WC105001L	WASHER-PLAIN-CABLE STRAP									1
	MYH1763	CABLE TIE-ELECTRICAL COMPONENTS	5975-12-199-8964								14
	MYH1968	CABLE TIE-DRIVING LIGHT HARNESS	5340-66-128-4558								6
	AYG9768	CABLE-DIMMER SWITCH TO MAIN HARNESS									1
	PRC3053	LEAD-VOLTMETER TO INSTRUMENT HARNESS									1
	HYG6512	KIT-RAISED FUSEBOX MOUNTING (KIT COMPRISES ITEMS 9009 TO 9022)									1
	HYG6505	BRACKET-MOUNTING -FUSE BOX TO DASH									1
	HYG6504	COVER-FUSEBOX									1
	HYG6515	PLATE-DEFLECTOR -FRESH AIR INTAKE									1
	HYG6506	PLATE-COVER-INSIDE LOWER SCUTTLE									1
	HYG6507	LABEL-FUSE IDENTIFICATION-COVER									1
	HYG6508	LINK WIRE-TO AUXILLARY LAMP SOCKET									1
	HYG6520	LINK WIRE-TO INSTRUMENT DIMMER CONTROL									1
	HYG6521	LINK WIRE-FROM INSTRUMENT DIMMER CONTROL									1

GROUP QC/2 SHEET 2



FRONT WIRING HARNESSES AND FITTINGS - RFSV ONLY

PERENTIE LAND ROVER PARTS LIST

QC 1/2/2

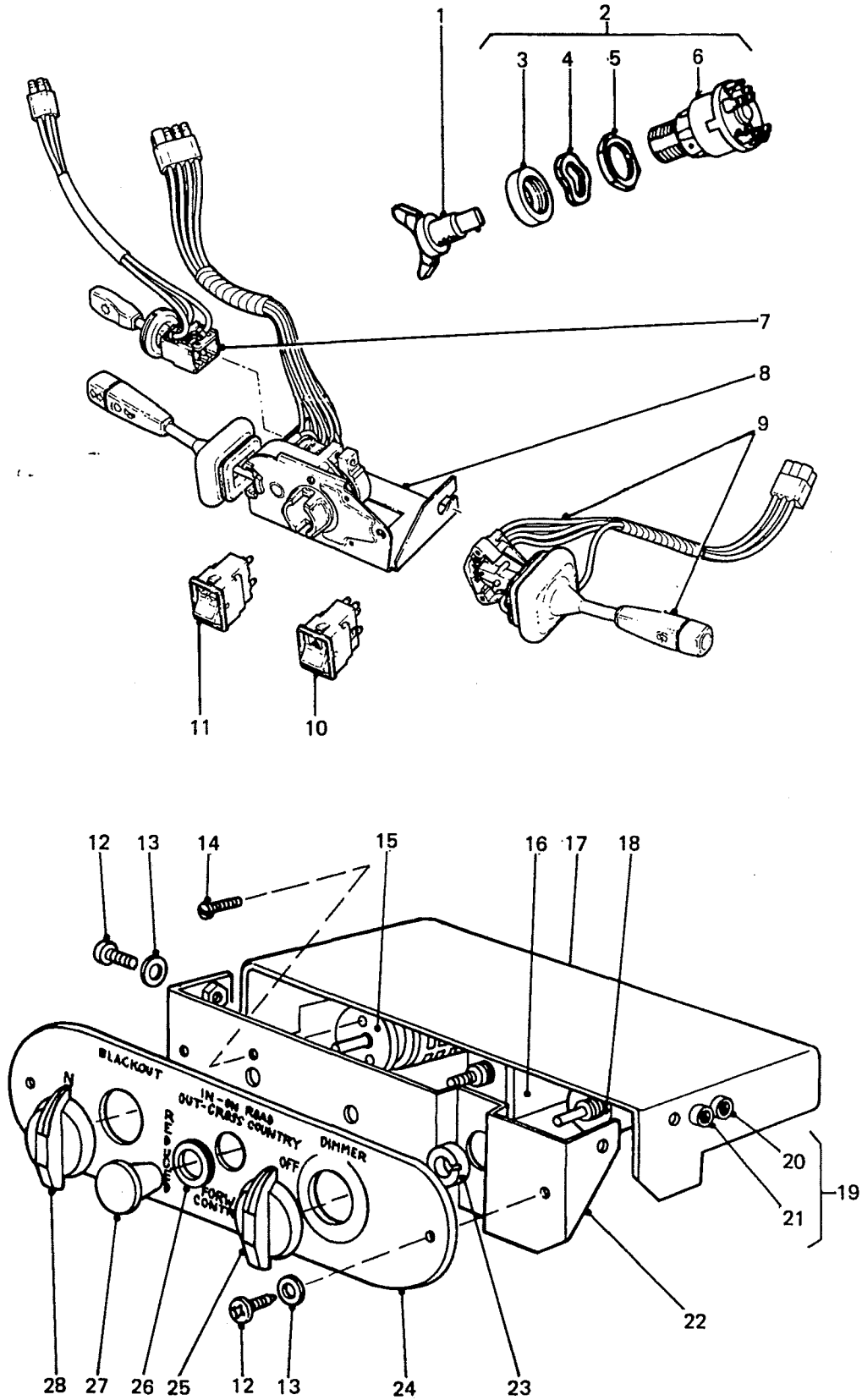
FRONT WIRING HARNESS AND FITTINGS - RFSV ONLY

<u>ITEM</u>	<u>PART NO.</u>	<u>DESCRIPTION</u>	<u>NSN</u>	<u>DERIVATIVE CODE</u>								<u>CP</u>
				<u>2188</u>	<u>2189</u>	<u>2190</u>	<u>2191</u>	<u>2192</u>	<u>2194</u>	<u>2195</u>	<u>2207</u>	
	BH106031	BOLT-M6 X 15										2
	NY106041L	NUT-NYLOC-M6	5310-99-138-8423									2
	AB606051L	SCREW-SELF TAPPING-M6 X 15	5305-66-016-0723									2
	AB612051L	SCREW-SELF TAPPING-M3.5 X 15										2
	AB610055	SCREW-SELF TAPPING-M4 X 15	5305-99-120-5723									2
	RU608123L	POP RIVET	5320-66-128-4634									12

CHANGE POINT

ARN INTRODUCTION

GROUP QD /1

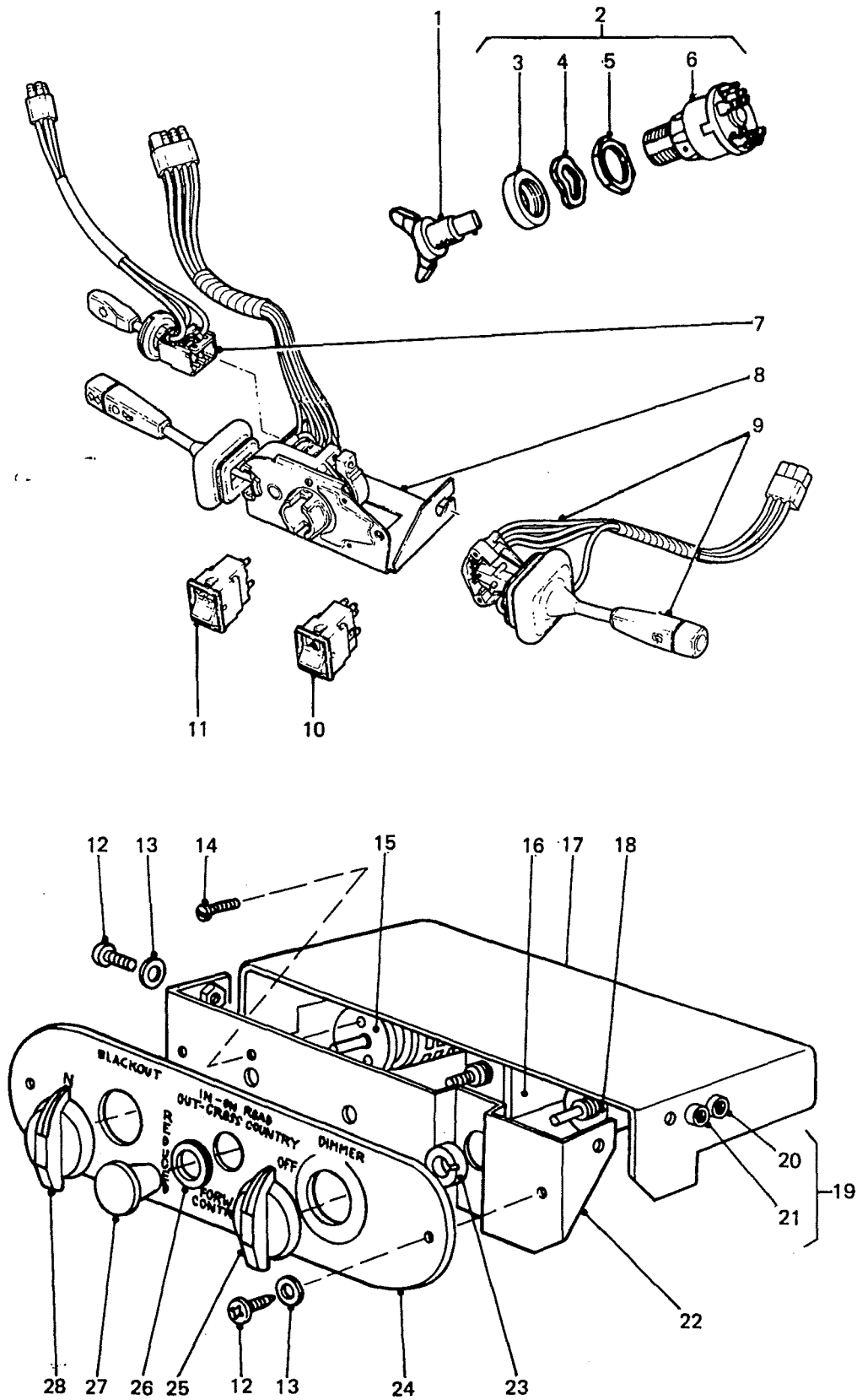


SWITCHES - CAB INTERIOR

PERENTIE LAND ROVER PARTS LIST

ITEM	QD /1/1 PART NO.	SWITCHES - CAB INTERIOR DESCRIPTION	NSN	DERIVATIVE CODE							CP
				2188	2189	2190	2191	2192	2194	2195	
1	RRC4774	KNOB-IGNITION SWITCH	5355-66-128-4953	1	1	1	1	1	1	1	
2	PRC2734	SWITCH-STARTER	5930-99-797-8638	1	1	1	1	1	1	1	
3	NSS										
4	NSS										
5	NSS										
6	NSS										
7	PRC3430	SWITCH-LIGHT	5930-99-797-8641	1	1	1	1	1	1	1	
8	PRC3875	SWITCH-INDICATOR,HORN AND DIP	5930-99-797-8640	1	1	1	1	1	1	1	
8	STC439	SWITCH-INDICATOR,HORN AND DIP	5930-66-135-1416	1	1	1	1				01
9	PRC3900	SWITCH-WASH/WIPE- 2 POSITIONS	5930-99-797-8639	1	1	1	1	1	1	1	
9	PRC7370	SWITCH-WASH/WIPE-DELAY- 3 POSITION	5930-66-135-1417	1	1	1	1				02
10	ASU1009	SWITCH-HAZARD	5930-99-768-4885	1	1	1	1	1	1	1	
11	RRC4865	SWITCH-INTERIOR LIGHT	5930-66-128-4739	1	1	1	1	1	1	1	
12	SP105204	SCREW	5305-66-128-6198	4	4	4	4	4	4	4	
13	WL105001L	WASHER-LOCK	5310-99-977-1102	4	4	4	4	4	4	4	
14	HYL8920	SCREW		2	2	2	2	2	2	2	
15	AYG9574	SWITCH-BLACKOUT LAMP-3 POSITION	5930-66-128-4740	1	1	1	1	1	1	1	
16	BYG2049	VALVE-TRANSFER (REFER SECTION GE)	4820-66-128-4493	1	1	1	1	1	1	1	
17	HYG3537	COVER-SWITCH-DASH CENTRE		1	1			1	1	1	
18	NSS		5905-12-185-4643								
19	PRC2078	SOCKET-INSPECTION LAMP	5935-99-797-3844	2	2	2	2	2	2	2	
20	PRC2080	BUSH-INSULATION-BLACK		1	1	1	1	1	1	1	

GROUP QD /1



SWITCHES - CAB INTERIOR

PERENTIE LAND ROVER PARTS LIST

<u>ITEM</u>	<u>QD /1/1</u> <u>PART NO.</u>	<u>SWITCHES - CAB INTERIOR</u> <u>DESCRIPTION</u>	<u>NSN</u>	<u>DERIVATIVE CODE</u>							
				<u>2188</u>	<u>2189</u>	<u>2190</u>	<u>2191</u>	<u>2192</u>	<u>2194</u>	<u>2195</u>	<u>2207</u>
21	PRC2079	BUSH-INSULATION-RED		1	1	1	1	1	1	1	
22	HYG2047	SWITCH MOUNTING		1	1	1	1	1	1	1	
22	HYG5945	PLATE-SWITCH MOUNTING		1	1	1	1				
23	BYG9271	NUT-SWITCH		1	1	1	1	1	1		
24	HYG2050	PLATE-CENTRE DASH SWITCHES	9905-66-128-4964	1	1	1	1	1	1	1	1
25	BYG9270	KNOB-SWITCH	5355-12-178-0087	1	1	1	1	1	1		
26	HYG2134	NUT RING	5310-66-128-4548	1	1	1	1	1	1	1	1
27	HYL8708	KNOB-VALVE	5355-66-128-4547	1	1	1	1	1	1	1	1
28	HYL8669	KNOB-BLACKOUT SWITCH	5355-66-128-4956	1	1	1	1	1	1	1	1
	MYH3548	O RING-TERMINAL TO DASH		2	2	2	2	2	2	2	2
	MYH3267	NUT-ROOT (WELDED TO ITEM 22)		4	4	4	4	4	4	4	4
	BYG9330	SWITCH-KIT-DIMMER NLA-USE FOLLOWING ITEMS		1	1	1	1	1	1	1	1
	BYG9269	SWITCH-DIMMER		1	1	1	1	1	1	1	1
	BYG9270	KNOB-SWITCH	5355-12-178-0087	1	1	1	1	1	1	1	1
	BYG9271	NUT-SWITCH		1	1	1	1	1	1	1	1
	HYG6138	SPACER-SWITCH		1	1	1	1	1	1	1	1

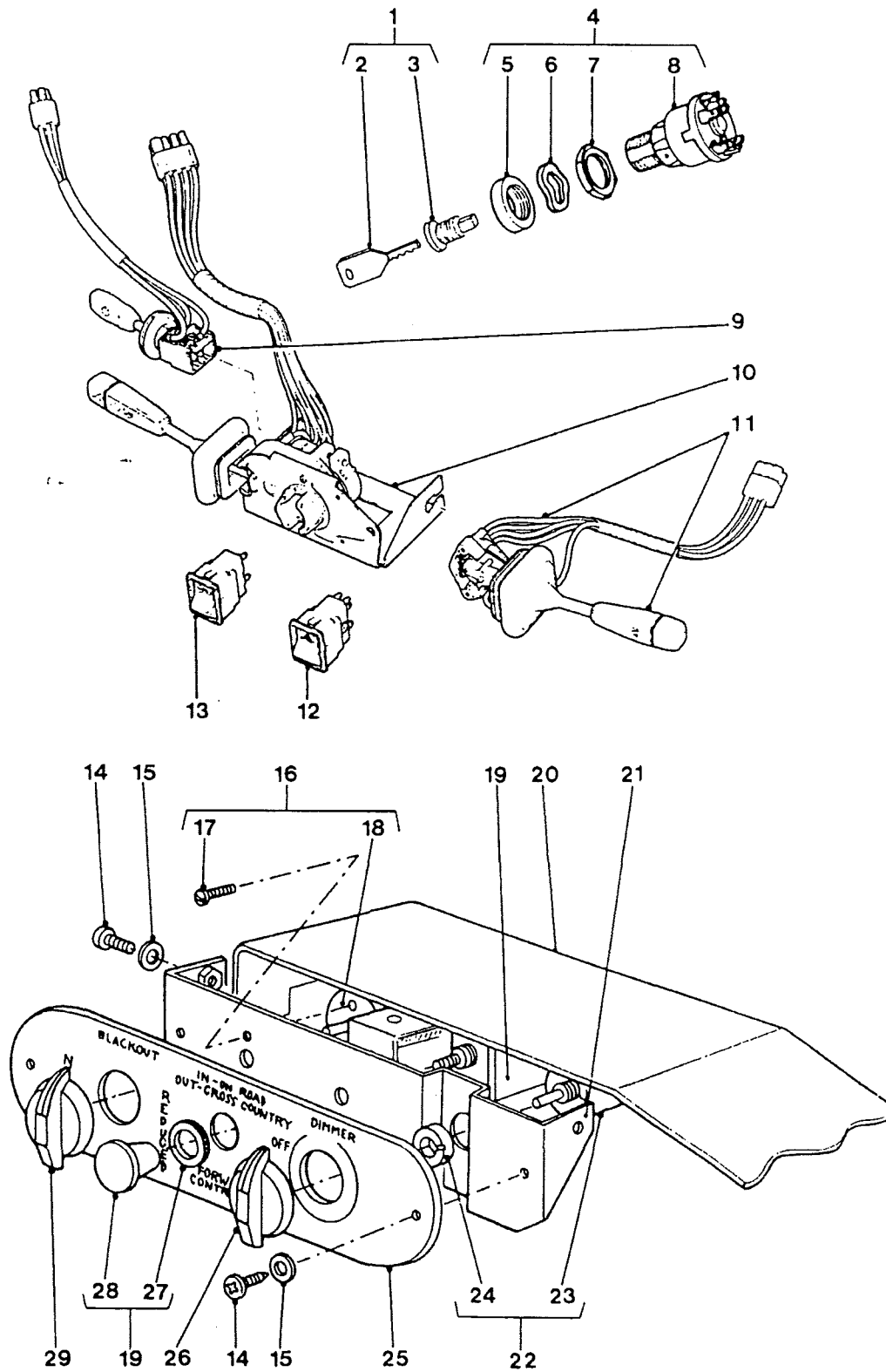
CHANGE POINT

1
2

ARN INTRODUCTION

REQUIRED WITH WIPER DELAY SYSTEM
51-425 SOFT TOP CARGO

GROUP QD/2 SHEET 1

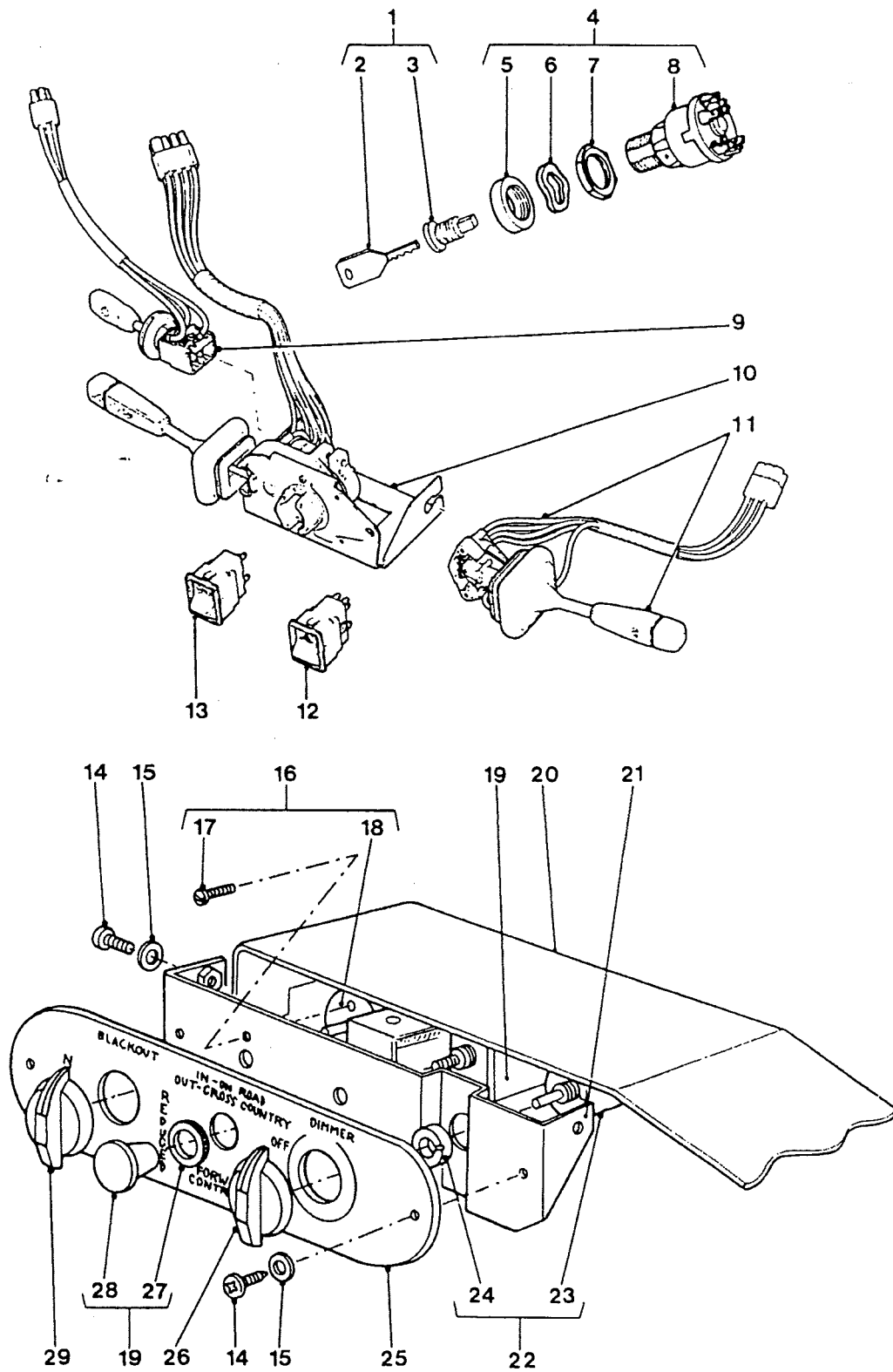


**SWITCHES – CAB INTERIOR
– RFSV ONLY**

PERENTIE LAND ROVER PARTS LIST

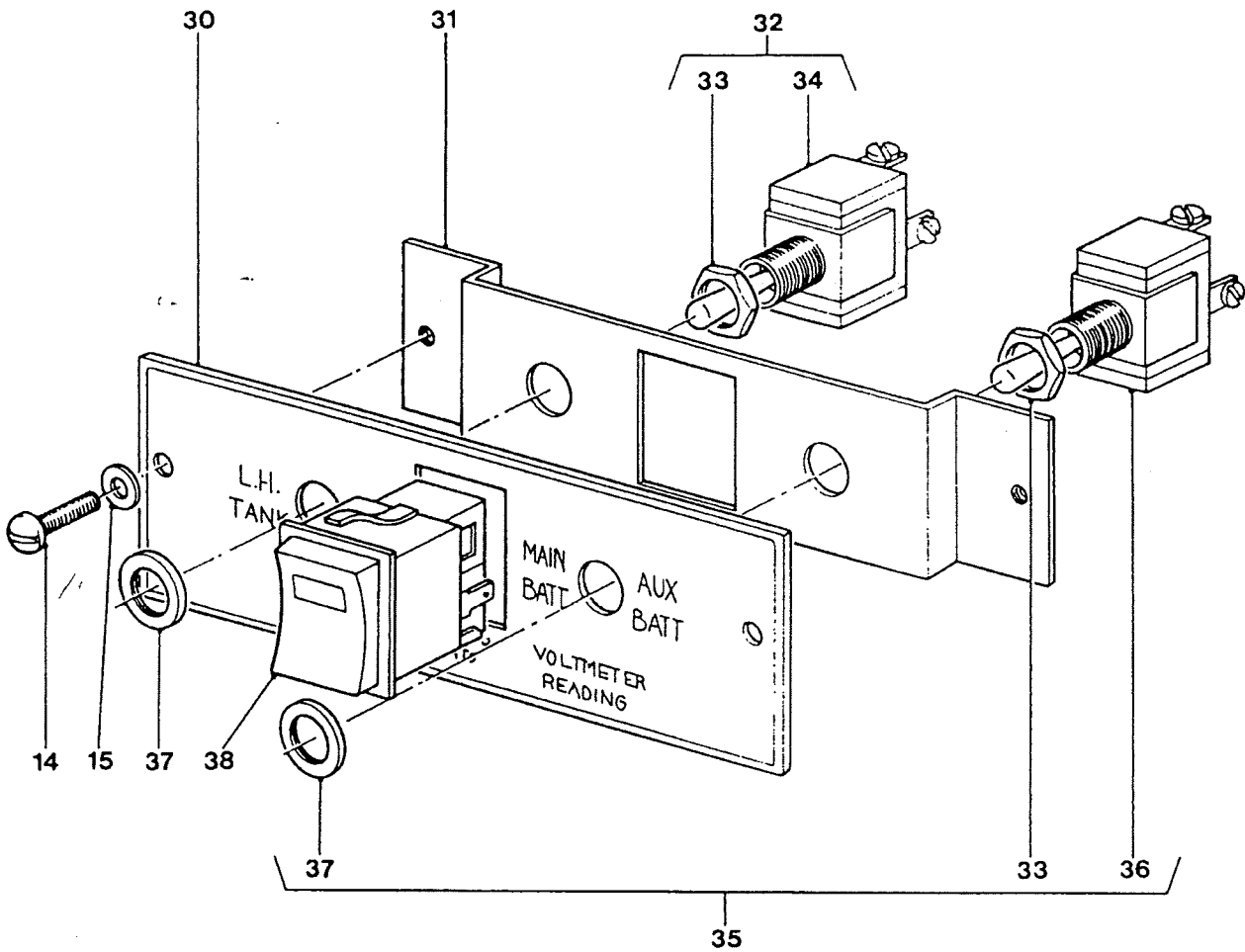
ITEM	PART NO.	DESCRIPTION	NSN	DERIVATIVE CODE										
				2188	2189	2190	2191	2192	2194	2195	2207	CP		
1	RTC3022	BARREL & KEY	2540-99-793-4088											1
2	17H2475L	KEY BLANK												1
3	NSS													
4	PRC2734	SWITCH-IGNITION	5930-99-797-8638											1
5	NSS													
6	NSS													
7	NSS													
8	NSS													
9	PRC3430	SWITCH-LIGHT	5930-99-797-8641											1
10	STC439	SWITCH-INDICATOR,HORN, DIP	5930-66-135-1416											1
11	PRC7370	SWITCH-WASH/WIPE-DELAY- 3 POSITION	5930-66-135-1417											1
12	ASU1009	SWITCH HAZARD	5930-99-768-4885											1
13	RRC4865	SWITCH-INTERIOR LIGHT	5930-66-128-4739											1
14	SP105204	SCREW	5305-66-128-6198											4
15	WL105001L	WASHER-LOCK- SWITCH	5310-99-977-1102											4
16	BYG9052	SWITCH-BLACKOUT- 4 POSITION	5930-66-128-6199											1
17	HYL8920	SCREW												2
18	NSS													
19	BYG2049	VALVE-VACUUM CONTROL (REFER SECTION GE)	4820-66-128-4493											1
20	HYG4433	COVER-CENTRE DASH SWITCHES												1
	AB608044L	SCREW-SWITCH COVER	5305-99-977-3255											2
21	HYG4556	PLATE-SWITCH MTG												1
22	BYG9330	SWITCH-KIT-DIMMER												1
		NLA-USE FOLLOWING ITEMS												

GROUP QD/2 SHEET 1



**SWITCHES – CAB INTERIOR
– RFSV ONLY**

GROUP QD/2 SHEET 2



**SWITCHES – CAB INTERIOR
– RFSV ONLY**

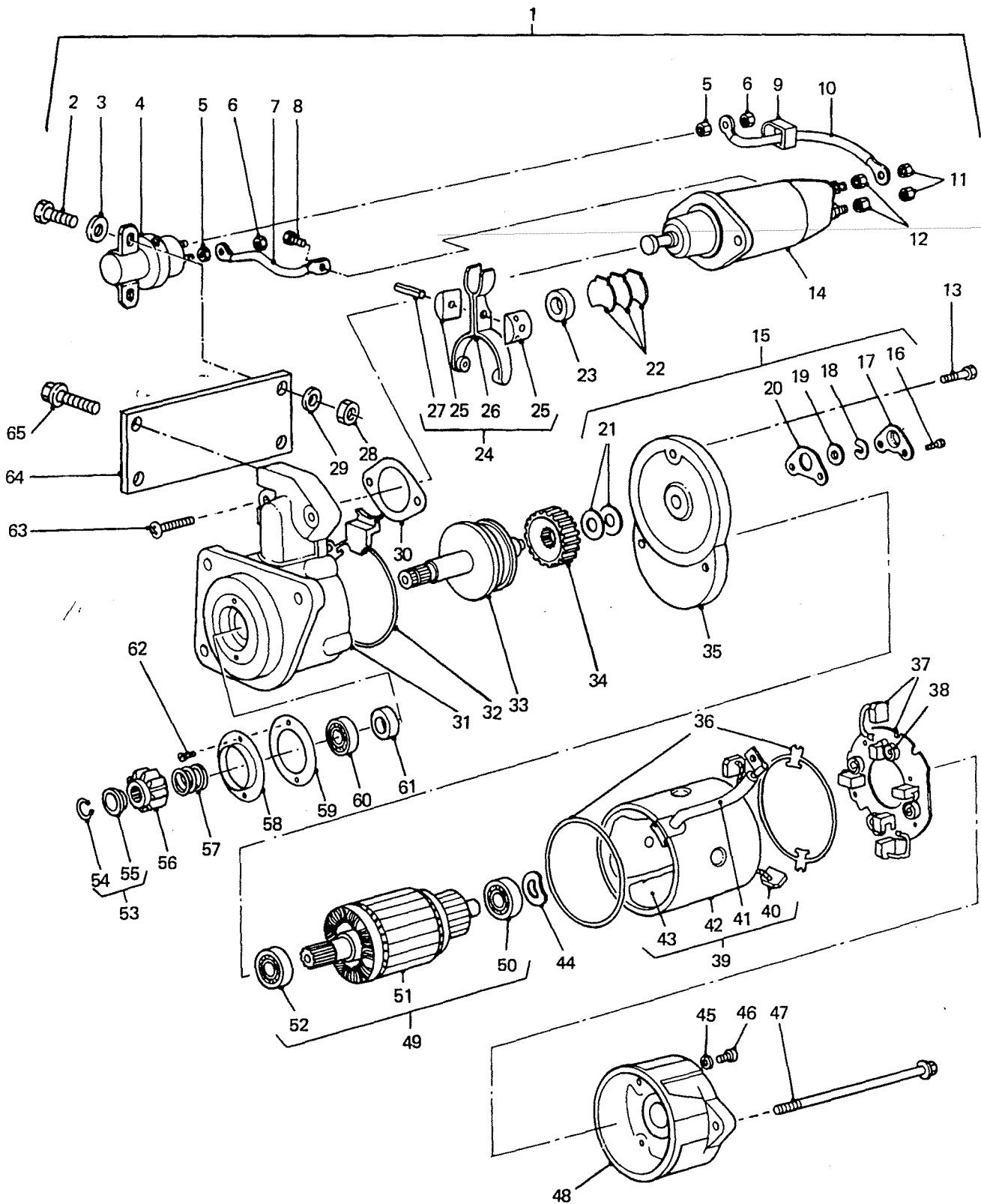
PERENTIE LAND ROVER PARTS LIST

<u>ITEM</u>	<u>QD /2/2</u> <u>PART NO.</u>	<u>SWITCHES - CAB INTERIOR - RFSV ONLY</u> <u>DESCRIPTION</u>	<u>NSN</u>	<u>DERIVATIVE CODE</u>							<u>CP</u>
				<u>2188</u>	<u>2189</u>	<u>2190</u>	<u>2191</u>	<u>2192</u>	<u>2194</u>	<u>2195</u>	
14	SP105204	SCREW	5305-66-128-6198								2
15	WL105001L	WASHER-LOCK	5310-99-977-1102								2
30	HYG4670	PLATE-SWITCH FACING									1
31	HYG4671	PLATE-SWITCH MOUNTING									1
32	AYG9704	SWITCH-FUEL TANK (INCLUDES ITEMS 33-34)	5930-66-128-6234								1
33	NSS										
34	NSS										
35	BYG9108	SWITCH-VOLTMETER (INCLUDES ITEMS 33,36 & 37)	5930-66-128-4739								1
36	NSS										
37	NSS										
38	AYG9954	SWITCH-DRIVING LIGHTS	5930-66-128-6232								1

CHANGE POINT

ARN INTRODUCTION

GROUP QF

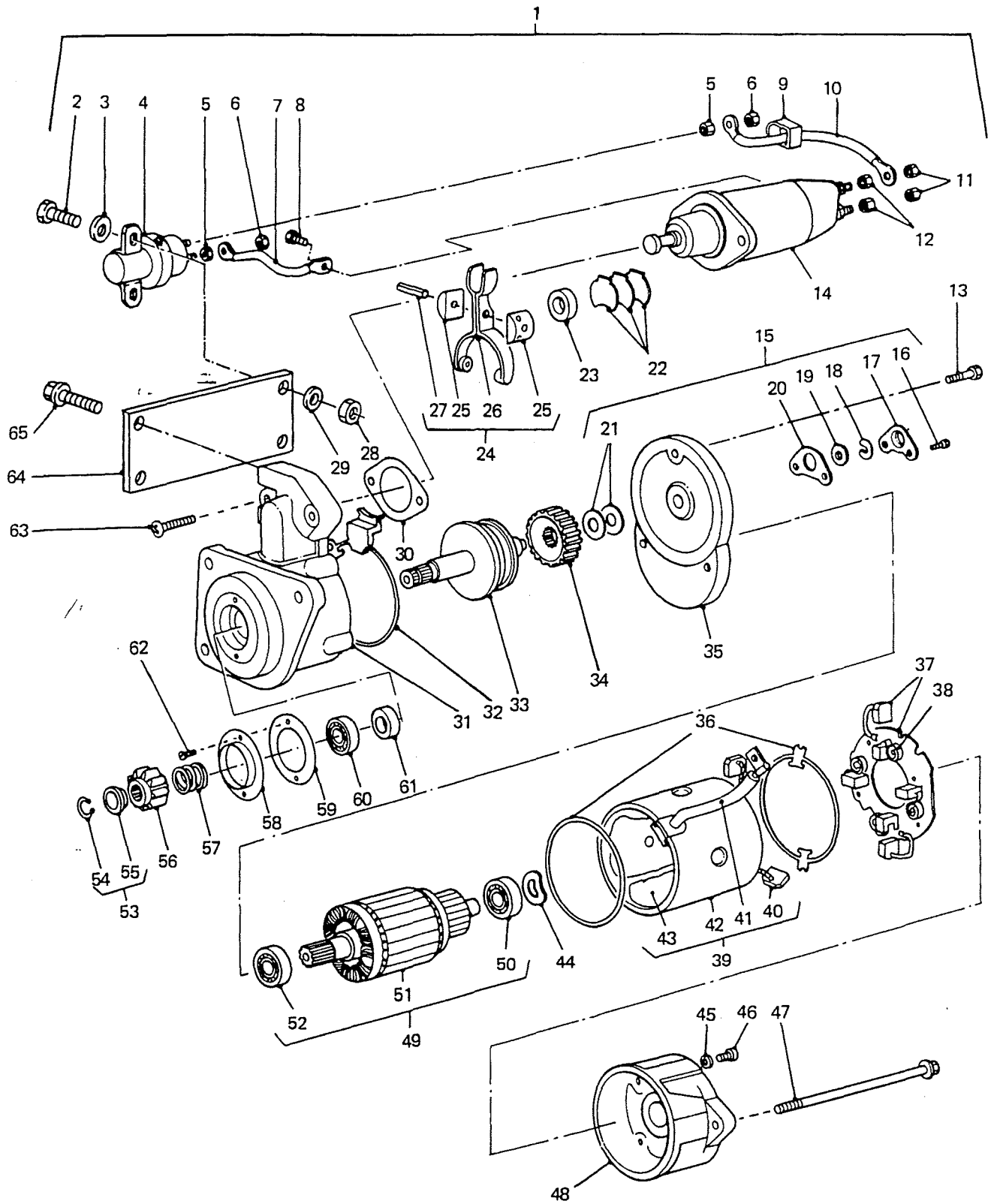


STARTER MOTOR AND SOLENOID ASSEMBLY

PERENTIE LAND ROVER PARTS LIST

ITEM	PART NO.	DESCRIPTION	NSN	DERIVATIVE CODE								
				2188	2189	2190	2191	2192	2194	2195	2207	CP
1	8944634730	MOTOR-STARTER	2920-66-128-4625	1	1	1	1	1	1	1	1	1
2	FS106161	SCREW	5305-99-122-5360	2	2	2	2	2	2	2	2	2
3	WA106041L	WASHER-PLAIN	5310-66-098-4440	2	2	2	2	2	2	2	2	2
4	8944757020	SET-SWITCH	5945-66-128-4626	1	1	1	1	1	1	1	1	1
5	JLM968	NUT	5310-99-122-5295	2	2	2	2	2	2	2	2	2
6	NY106041L	NUT-NYLOC	5310-99-138-8423	2	2	2	2	2	2	2	2	2
7	NSS											
8	NSS											
9	NSS											
10	NSS											
11	NY108041L	NUT-NYLOC	5310-99-122-5496	2	2	2	2	2	2	2	2	2
12	FN108041	NUT	5310-99-499-8033	2	2	2	2	2	2	2	2	2
13	NSS											
14	8944756970	RELAY-SOLENOID	2920-66-128-4627	1	1	1	1	1	1	1	1	1
15	8944756890	PARTS KIT-STARTER	2920-66-128-4628	1	1	1	1	1	1	1	1	1
16	NSS											
17	NSS											
18	NSS											
19	NSS											
20	NSS											
21	NSS											
22	NSS											
23	NSS											
24	8944756960	LEVER ASSY (INCL ITEMS 25 TO 27)		1	1	1	1	1	1	1	1	1
25	NSS											
26	NSS											
27	NSS											
28	NH106041L	NUT	5310-66-098-4401	2	2	2	2	2	2	2	2	2

GROUP QF

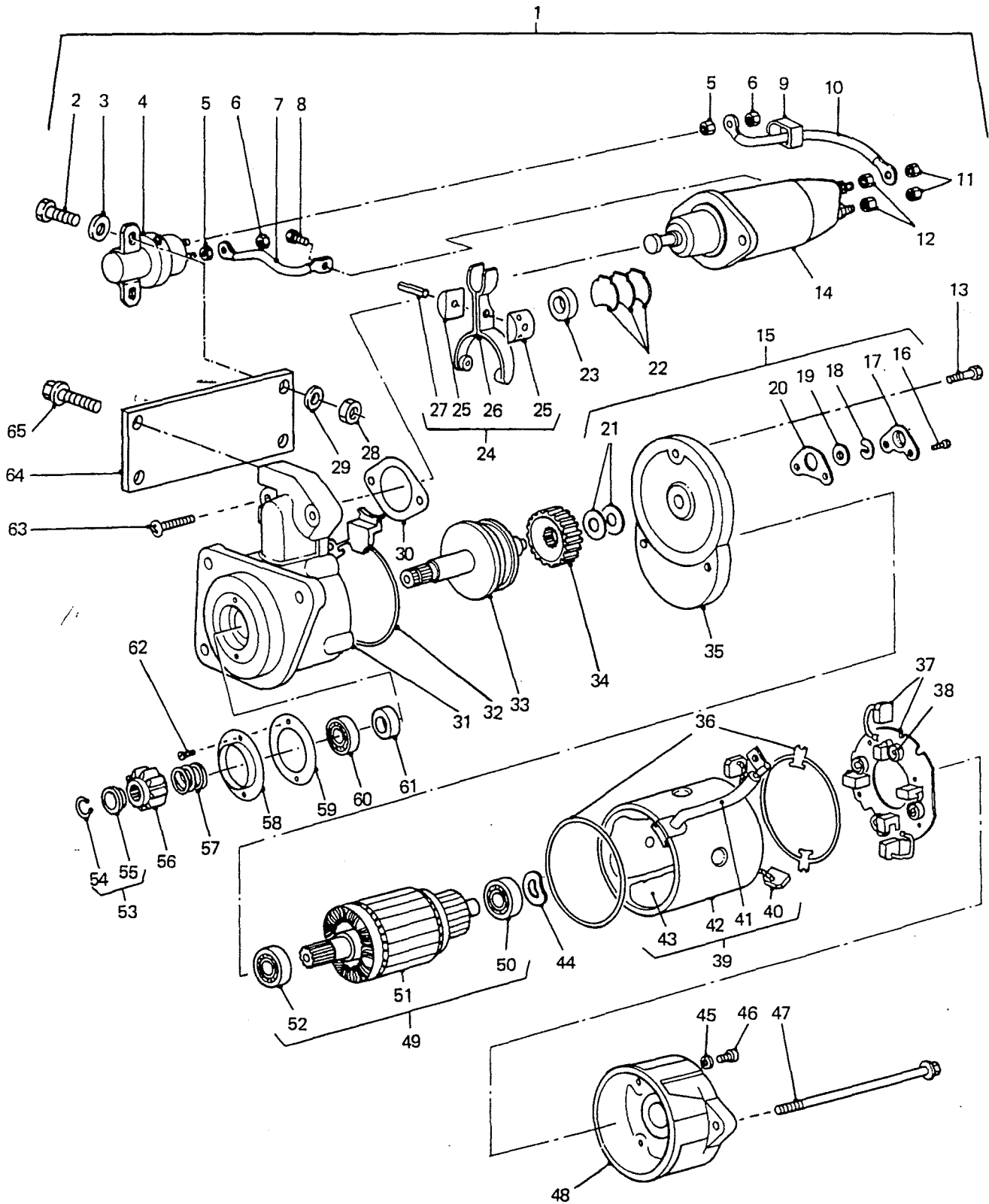


STARTER MOTOR AND SOLENOID ASSEMBLY

PERENTIE LAND ROVER PARTS LIST

ITEM	PART NO.	DESCRIPTION	NSN	DERIVATIVE CODE								
				2188	2189	2190	2191	2192	2194	2195	2207	CP
29	WL106001L	WASHER-LOCK	5310-99-137-9232	2	2	2	2	2	2	2	2	2
30	NSS											
31	8970387360	HOUSING		1	1	1	1	1	1	1	1	1
32	8970387380	SEAL		1	1	1	1	1	1	1	1	1
33	8944756860	SHAFT-PINION		1	1	1	1	1	1	1	1	1
34	8944756870	GEAR-STARTER		1	1	1	1	1	1	1	1	1
35	8970387370	COVER		1	1	1	1	1	1	1	1	1
36	8944756990	GASKET SET-HOUSING	5330-66-128-4559	2	2	2	2	2	2	2	2	2
37	8944756910	HOLDER-BRUSHES	5977-66-128-4811	1	1	1	1	1	1	1	1	1
38	8944756920	SPRING-BRUSHES		4	4	4	4	4	4	4	4	4
39	8944756900	SET-YOKE	2920-66-128-4639	1	1	1	1	1	1	1	1	1
40	NSS											
41	NSS											
42	NSS											
43	NSS											
44	SP1956	WASHER		1	1	1	1	1	1	1	1	1
45	8944757000	SEAL		4	4	4	4	4	4	4	4	4
46	NSS											
47	8944756980	SET-BOLTS		2	2	2	2	2	2	2	2	2
48	8944756930	BRACKET-REAR		1	1	1	1	1	1	1	1	1
49	8944756830	ARMATURE (INCL ITEMS 50 TO 52)	2920-66-128-4640	1	1	1	1	1	1	1	1	1
50	8944756850	BEARING-REAR	3110-66-128-4641	1	1	1	1	1	1	1	1	1
51	NSS											
52	8944756840	BEARING-FRONT	3110-66-128-4642	1	1	1	1	1	1	1	1	1
53	8944756880	SET-STOPPER (INCL ITEMS 54 & 55)	2920-66-128-4644	1	1	1	1	1	1	1	1	1
54	NSS											
55	NSS											
56	8970387350	PINION ASSY		1	1	1	1	1	1	1	1	1

GROUP QF



STARTER MOTOR AND SOLENOID ASSEMBLY

PERENTIE LAND ROVER PARTS LIST

QF /1/1

STARTER MOTOR AND SOLENOID ASSEMBLY

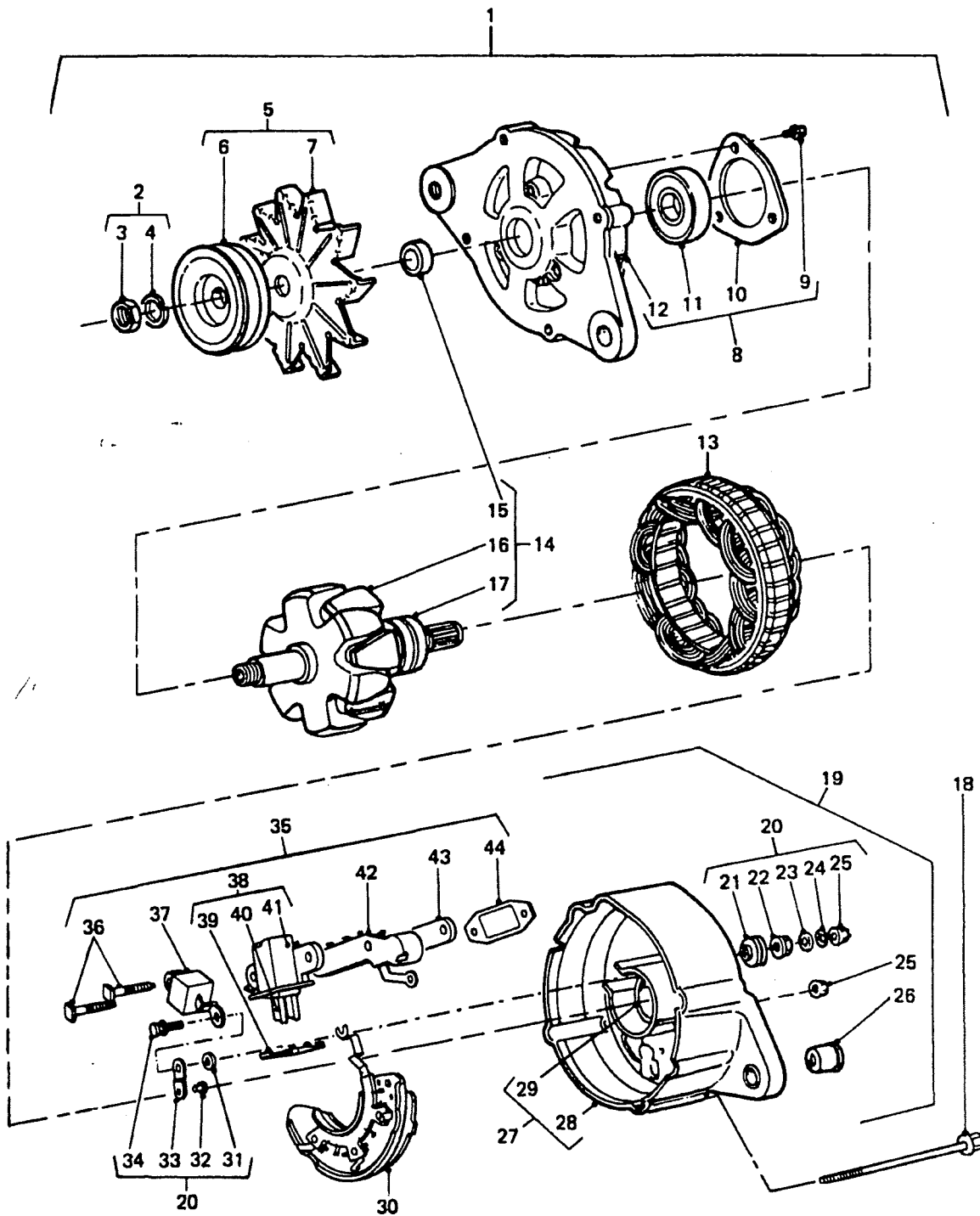
<u>ITEM</u>	<u>PART NO.</u>	<u>DESCRIPTION</u>	<u>NSN</u>	<u>DERIVATIVE CODE</u>									
				<u>2188</u>	<u>2189</u>	<u>2190</u>	<u>2191</u>	<u>2192</u>	<u>2194</u>	<u>2195</u>	<u>2207</u>	<u>CP</u>	
57	NSS												
58	8944756950	COVER-PINION BEARING		1	1	1	1	1	1	1	1	1	1
59	8944756940	PLATE-PINION BEARING		1	1	1	1	1	1	1	1	1	1
60	6204V144	BEARING AND BUSH ASSY-(INCLUDES BUSH MYH3679)	3110-66-128-4646	1	1	1	1	1	1	1	1	1	1
61	PR3290	SEAL-STARTER	5330-66-128-5928	1	1	1	1	1	1	1	1	1	1
62	NSS												
63	NSS												
64	AYG458	BRACKET-RELAY MOUNTING		1	1	1	1	1	1	1	1	1	1
65	NSS	USE 8944757010 SCREW SET											
	8944757010	SET-SCREWS (INCL ITEMS 8,13,46,62,63,65)	5305-66-128-4561	1	1	1	1	1	1	1	1	1	1
	MYH3697	BUSH-BEARING-(PART OF ITEM 60)		1	1	1	1	1	1	1	1	1	1

CHANGE POINT

ARN INTRODUCTION

/

GROUP QG SHEET 1

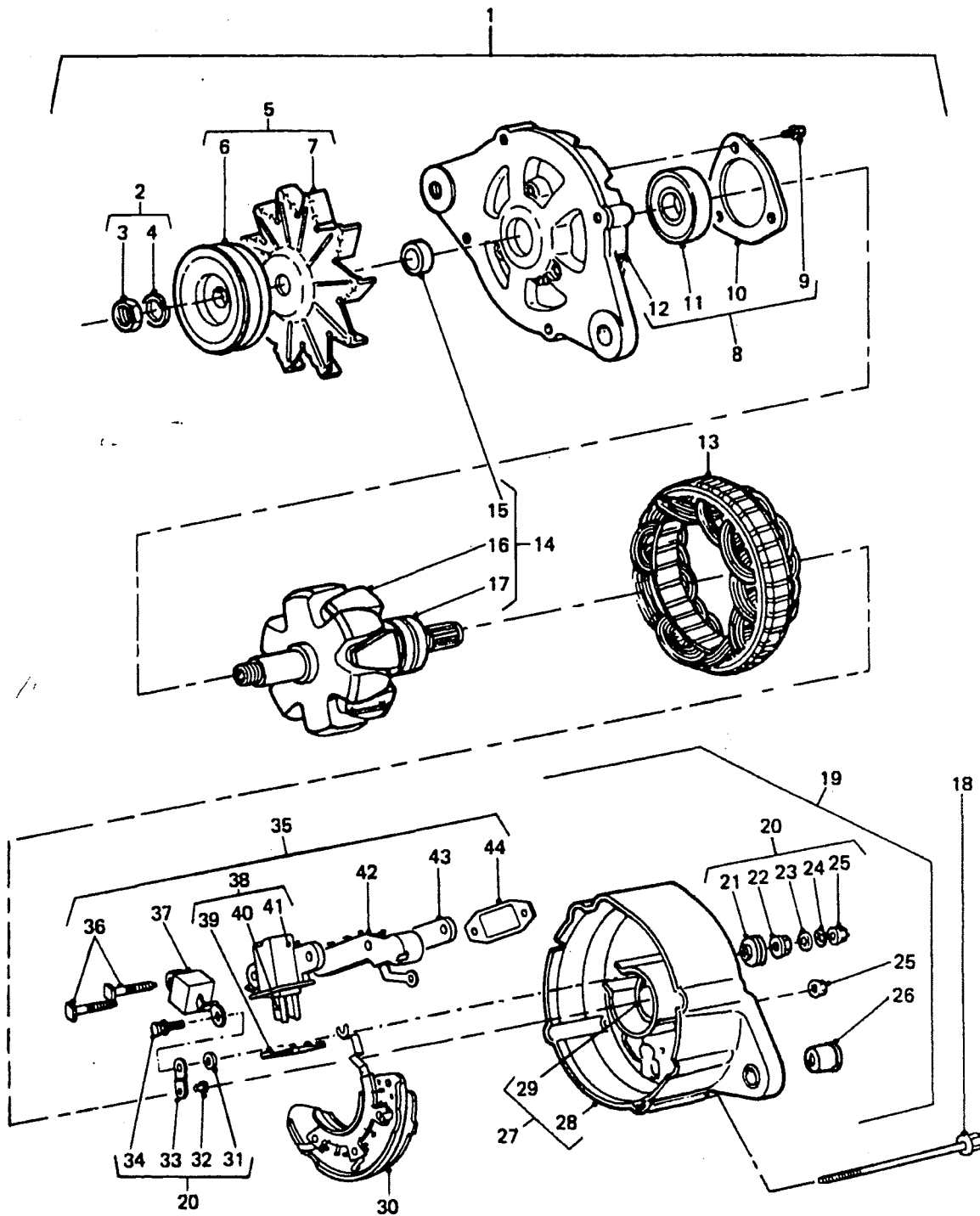


ALTERNATOR ASSEMBLY

PERENTIE LAND ROVER PARTS LIST

ITEM	QG /1/1 PART NO.	ALTERNATOR, 12 VOLT AND VACUUM PUMP ASSEMBLY DESCRIPTION	NSN	DERIVATIVE CODE							
				2188	2189	2190	2191	2192	2194	2195	2207 CP
1	8941754481	ALTERNATOR -12V AND VACUUM PUMP ASSY.	2920-66-128-4658	1	1	1	1	1	1	1	1
2	8941566010	NUT-PULLEY (INCL ITEMS 3&4)	5310-66-128-4560	1	1	1	1	1	1	1	1
3	NSS										
4	NSS										
5	8944103980	PULLEY-SINGLE GROOVE-12V, 70A ALT.	3020-66-128-4659	1	1	1	1	1	1	1	
6	MYH3508	PULLEY-TWIN GROOVE-12V, 70A ALT. & TYRE PUMP COMP.	3020-66-128-5956								1
7	8944150150	FAN-ALTERNATOR	2920-66-128-5957	1	1	1	1	1	1	1	1
8	8941164330	COVER & BEARING ASSY-FRONT	2920-66-128-4662	1	1	1	1	1	1	1	1
9	NSS										
10	8942239740	RETAINER-BEARING		1	1	1	1	1	1	1	1
11	8942239790	BEARING-FRONT	3110-66-128-4666	1	1	1	1	1	1	1	1
12	NSS										
13	8944103940	STATOR	2920-66-128-4673	1	1	1	1	1	1	1	1
14	8944103930	ROTOR & REAR BEARING ASSY	6115-66-128-4675	1	1	1	1	1	1	1	1
15	NSS										
16	NSS										
17	8941211780	BEARING-REAR	3110-66-128-4678	1	1	1	1	1	1	1	1
18	8941164350	BOLT-THROUGH		4	4	4	4	4	4	4	4
19	8944103950	COVER ASSY-COMPLETE-REAR	2920-66-128-4689	1	1	1	1	1	1	1	1
20	8941565970	TERMINAL BOLT ASSY	2920-66-128-4963	1	1	1	1	1	1	1	1
21	NSS										
22	NSS										

GROUP QG SHEET 1



ALTERNATOR ASSEMBLY

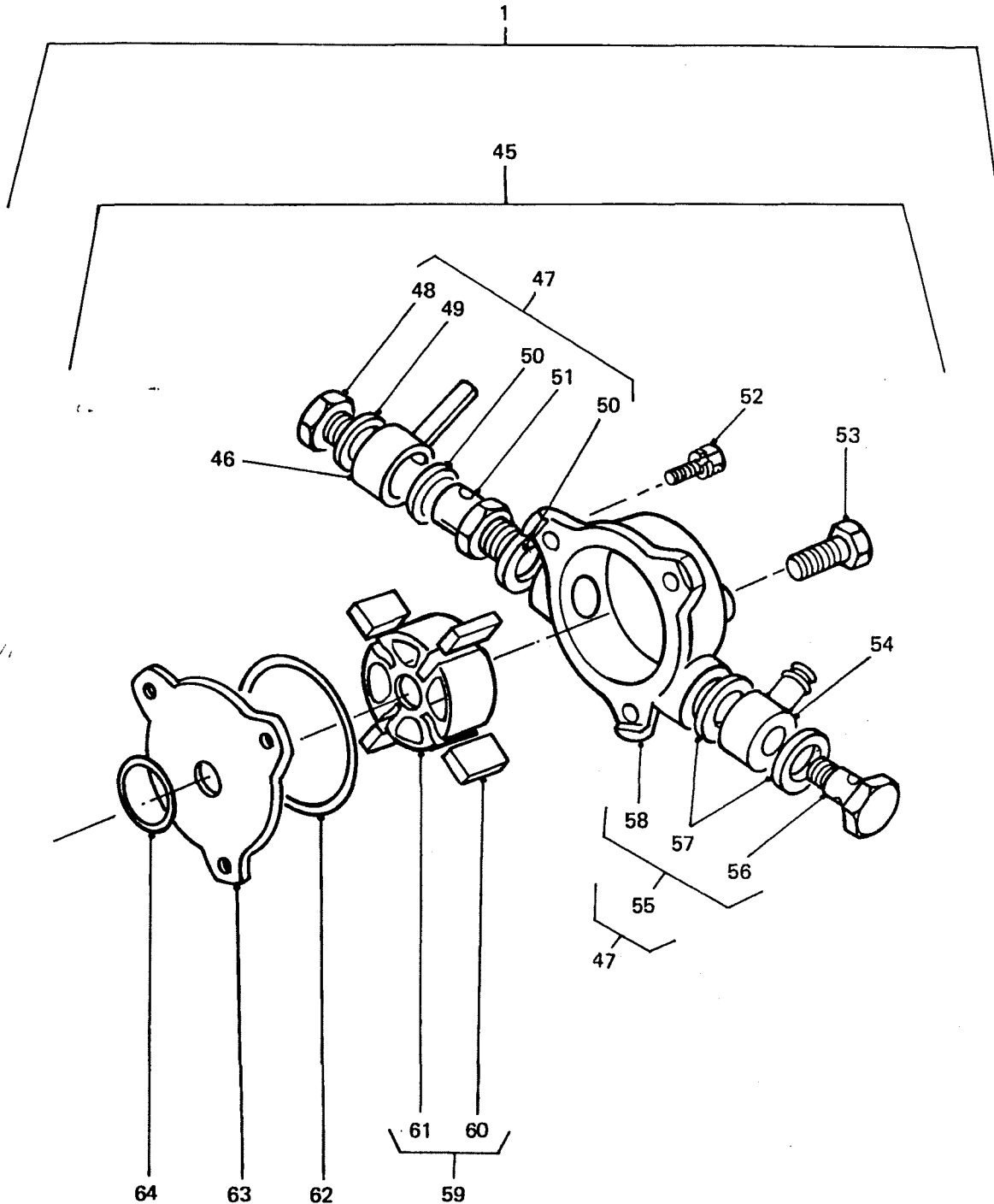
PERENTIE LAND ROVER PARTS LIST

ITEM	PART NO.	DESCRIPTION	NSN	DERIVATIVE CODE									
				2188	2189	2190	2191	2192	2194	2195	2207 CP		
23	NSS												
24	NSS												
25	NSS	PART OF SCREW KIT 8941566030											
26	NSS												
27	8944103960	COVER ASSY-REAR		1	1	1	1	1	1	1	1	1	1
28	NSS												
29	8941565890	SEAL-OIL	5330-66-128-4562	1	1	1	1	1	1	1	1	1	1
30	8944103970	RECTIFIER ASSY	5961-66-128-4929	1	1	1	1	1	1	1	1	1	1
31	NSS												
32	8941565980	RIVET		1	1	1	1	1	1	1	1	1	1
33	NSS												
34	NSS												
35	8941674100	REGULATOR AND BRUSH ASSY.		1	1	1	1	1	1	1	1	1	1
36	NSS	PART OF SCREW KIT 8941566030											
37	8941565940	CONDENSER	5910-66-128-5958	1	1	1	1	1	1	1	1	1	1
38	8941565920	BRUSH HOLDER ASSY	5977-66-128-4813	1	1	1	1	1	1	1	1	1	1
39	NSS												
40	8941565930	BRUSH		2	2	2	2	2	2	2	2	2	2
41	NSS												
42	8942377270	DIODE		1	1	1	1	1	1	1	1	1	1
43	8941565910	TERMINAL BLOCK	5961-66-128-4930	1	1	1	1	1	1	1	1	1	1
44	8942509640	REGULATOR	2920-66-128-4692	1	1	1	1	1	1	1	1	1	1
	8944707700	CONNECTOR-ALTERNATOR		1	1	1	1	1	1	1	1	1	1
	8941566030	KIT-SCREWS-ALTERNATOR AND VACUUM PUMP		1	1	1	1	1	1	1	1	1	1

CHANGE POINT

ARN INTRODUCTION

GROUP QG SHEET 2



VACUUM PUMP ASSEMBLY

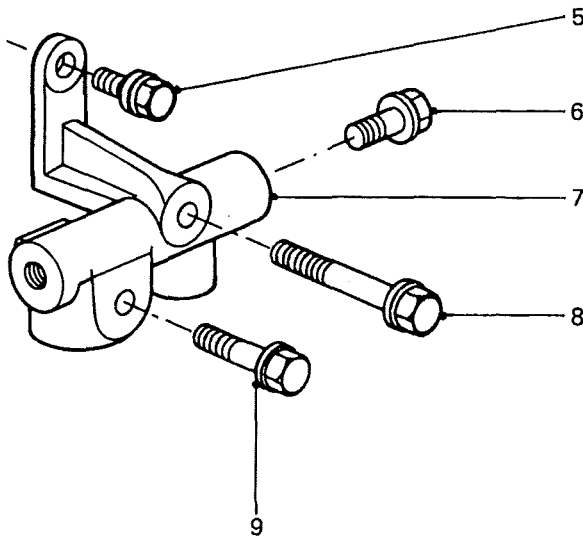
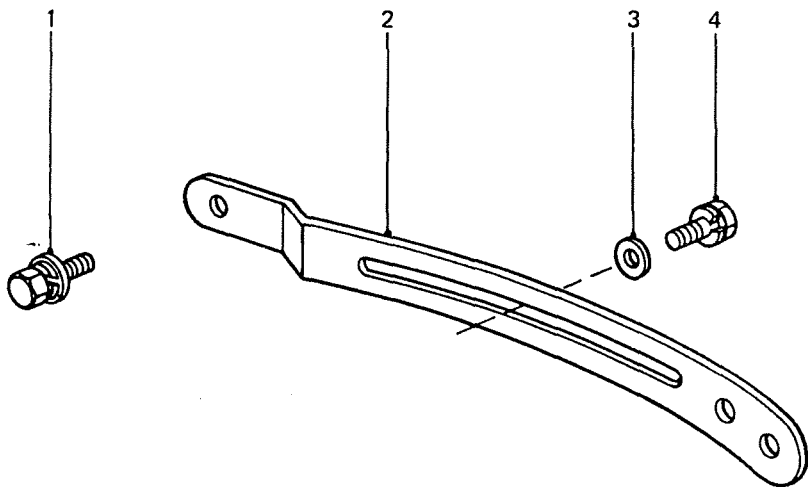
PERENTIE LAND ROVER PARTS LIST

ITEM	PART NO.	DESCRIPTION	NSN	DERIVATIVE CODE								
				2188	2189	2190	2191	2192	2194	2195	2207	CP
45	8944103990	VACUUM PUMP ASSY.(ALSO PART OF QG/1/1 ITEM1)	4310-66-128-4694	1	1	1	1	1	1	1	1	1
46	5196190330	CONNECTOR-SUCTION		1	1	1	1	1	1	1	1	1
47	8942239910	VALVE ASSY.	4820-66-128-4695	1	1	1	1	1	1	1	1	1
48	NSS											
49	8942239930	PACKING	5330-66-128-4563	1	1	1	1	1	1	1	1	1
50	8942239920	PACKING	5330-66-128-4566	2	2	2	2	2	2	2	2	2
51	NSS											
52	8941566030	KIT-SCREWS-ALTERNATOR AND VACUUM PUMP		1	1	1	1	1	1	1	1	1
53	8942239890	BOLT-BANJO	4730-66-128-5282	1	1	1	1	1	1	1	1	1
54	8941566400	CONNECTOR-DELIVERY	4710-66-128-5000	1	1	1	1	1	1	1	1	1
55	8944674240	HOUSING ASSY.		1	1	1	1	1	1	1	1	1
56	5196190310	BOLT-BANJO	4730-66-128-5287	1	1	1	1	1	1	1	1	1
57	5196790042	PACKING	5330-66-128-4567	2	2	2	2	2	2	2	2	2
58	NSS											
59	8941566050	ROTOR	4320-66-128-4706	1	1	1	1	1	1	1	1	1
60	8942239850	VANE		4	4	4	4	4	4	4	4	4
61	NSS											
62	8942239940	O.RING	5330-66-128-4568	1	1	1	1	1	1	1	1	1
63	8941566060	PLATE-CENTRE		1	1	1	1	1	1	1	1	1
64	8941566080	O.RING	5330-66-128-4569	1	1	1	1	1	1	1	1	1

CHANGE POINT

ARN INTRODUCTION

GROUP QGA/1



ALTERNATOR MOUNTINGS

PERENTIE LAND ROVER PARTS LIST

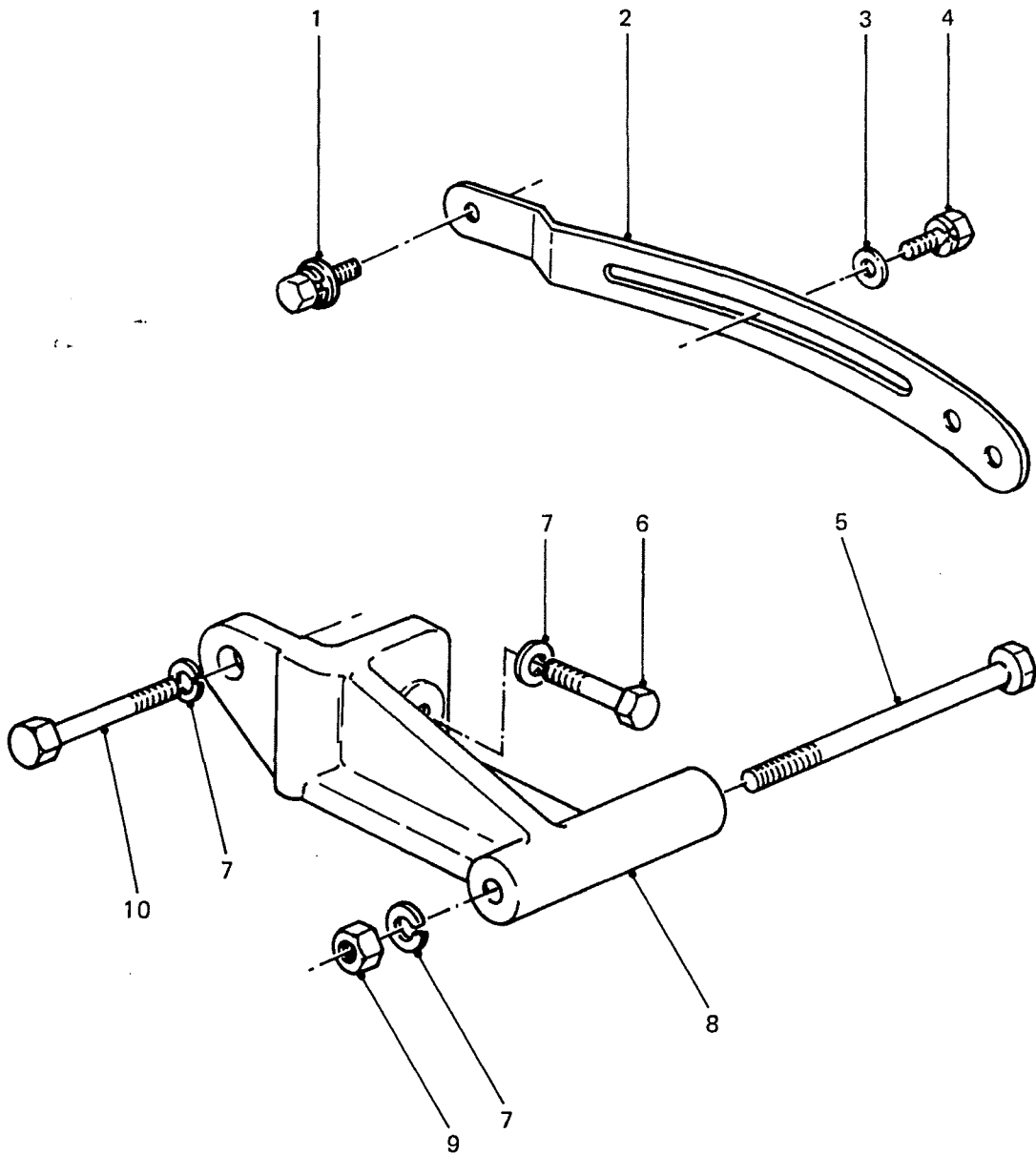
QGA/1/1 ALTERNATOR MOUNTINGS - 12 VOLT

<u>ITEM</u>	<u>PART NO.</u>	<u>DESCRIPTION</u>	<u>NSN</u>	<u>DERIVATIVE CODE</u>							<u>CP</u>
				<u>2188</u>	<u>2189</u>	<u>2190</u>	<u>2191</u>	<u>2192</u>	<u>2194</u>	<u>2195</u>	
1	9019910300	BOLT-FILTER	5306-66-128-4371	1	1					1	1
2	8941578361	PLATE-ADJUSTING	2920-66-128-4713	1	1					1	1
3	9091647080	WASHER-PLAIN	5310-66-128-4570	1	1					1	1
4	9019108300	BOLT-MOUNTING	5306-66-128-4571	1	1					1	1
5	9019110250	BOLT	5306-66-128-4572	1	1					1	1
6	0501410350	BOLT	5306-66-128-4460	2	2					2	2
7	8941004510	BRACKET-MTG	2990-66-128-4716	1	1					1	1
8	8941655180	BOLT-MOUNTING	5306-66-128-4573	1	1					1	1
9	5090000890	BOLT	5306-66-128-4613	1	1					1	1

CHANGE POINT

ARN INTRODUCTION

GROUP QGA/2



**ALTERNATOR MOUNTINGS – 12 VOLT
– FFR VEHICLES ONLY**

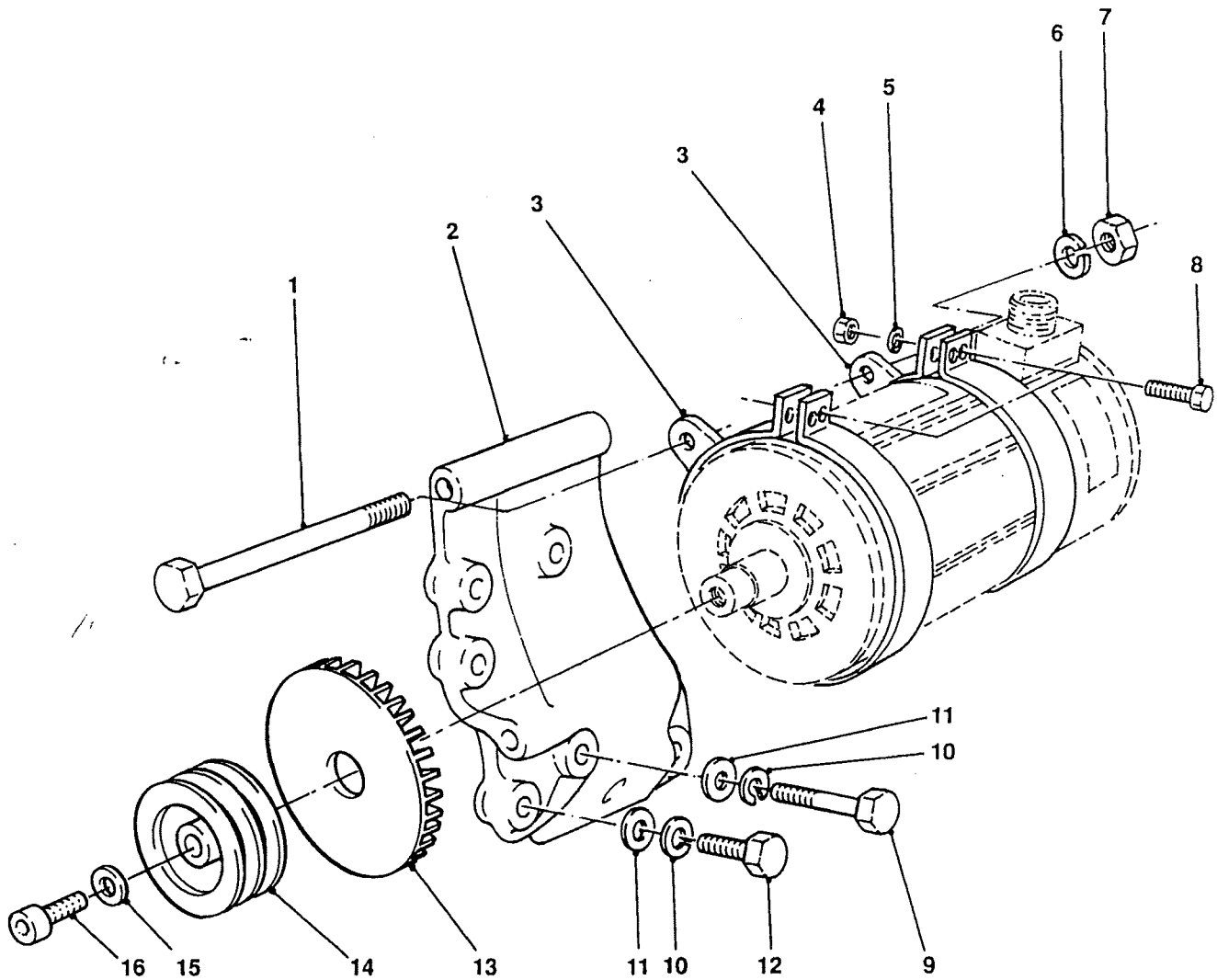
PERENTIE LAND ROVER PARTS LIST

<u>ITEM</u>	<u>PART NO.</u>	<u>DESCRIPTION</u>	<u>NSN</u>	<u>DERIVATIVE CODE</u>								
				<u>2188</u>	<u>2189</u>	<u>2190</u>	<u>2191</u>	<u>2192</u>	<u>2194</u>	<u>2195</u>	<u>2207</u>	<u>CP</u>
1	9019910400	BOLT-ENGINE	5306-66-128-5330			1	1	1	1			
2	8941578361	PLATE-ADJUSTING	2920-66-128-4713			1	1	1	1			
3	9091647080	WASHER-PLAIN	5310-66-128-4570			1	1	1	1			
4	9019108300	BOLT-MOUNTING	5306-66-128-4571			1	1	1	1			
5	BH110241L	BOLT	5306-99-122-8373			1	1	1	1			
6	SH210251	SCREW	5305-66-128-5318			2	2	2	2			
7	WL110001L	WASHER-LOCK	5310-99-138-9228			4	4	4	4			
8	AYG427	MOUNTING BRACKET-ALTERNATOR	5340-66-128-5242			1	1	1	1			
9	FN110041	NUT				1	1	1	1			
10	BH210081	BOLT	5306-66-128-5331			1	1	1	1			

CHANGE POINT

ARN INTRODUCTION

GROUP QGB



**ALTERNATOR MOUNTINGS – 28 VOLT
– FFR VEHICLES ONLY**

PERENTIE LAND ROVER PARTS LIST

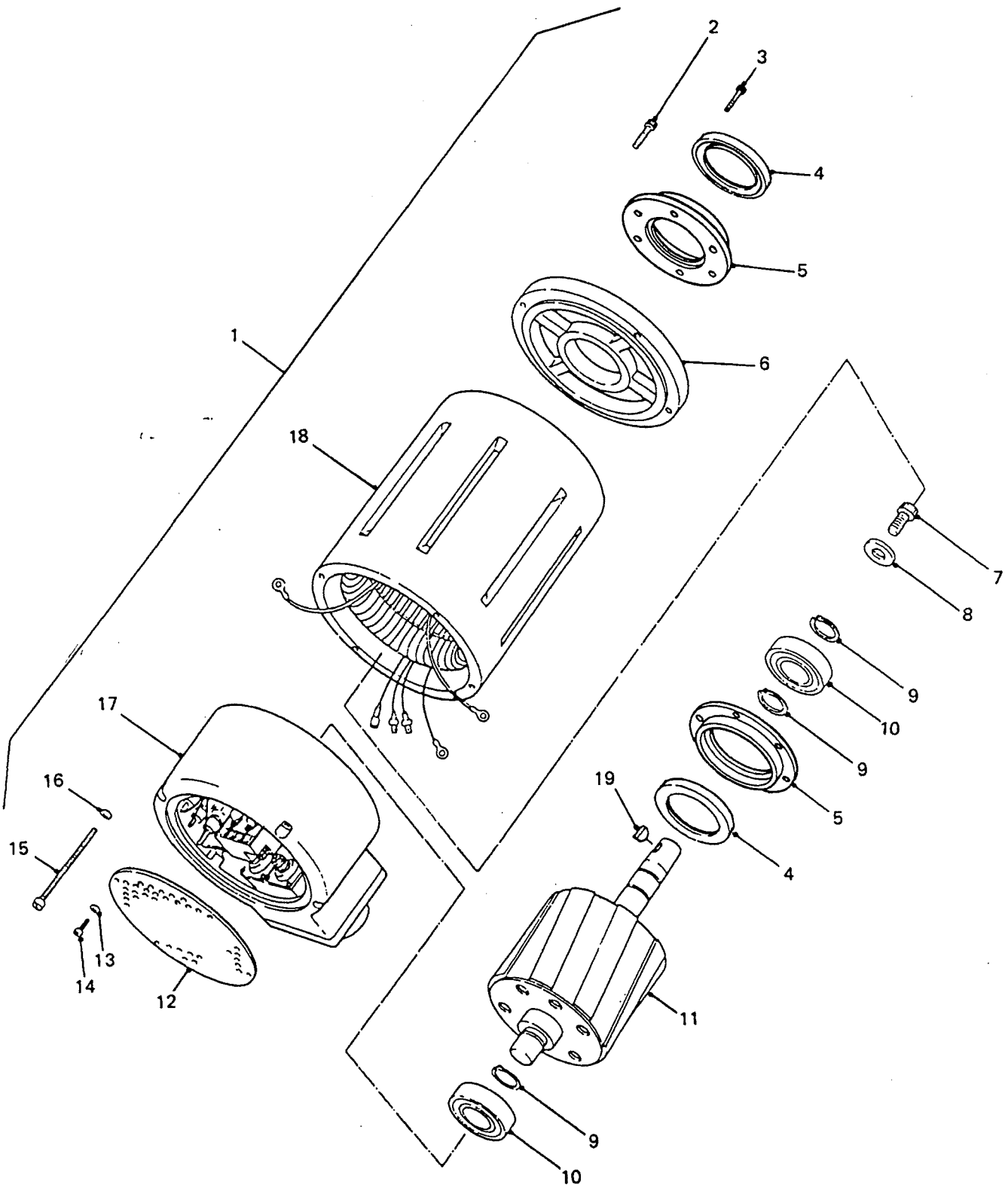
<u>ITEM</u>	<u>PART NO.</u>	<u>DESCRIPTION</u>	<u>NSN</u>	<u>DERIVATIVE CODE</u>									
				<u>2188</u>	<u>2189</u>	<u>2190</u>	<u>2191</u>	<u>2192</u>	<u>2194</u>	<u>2195</u>	<u>2207</u>	<u>CP</u>	
1	BH112321	BOLT	5306-66-128-5292			2	2	2	2				
2	AYG464	BRACKET-MOUNTING	5340-66-128-5314			1	1	1	1				
3	AYG489	CLAMP RING ASSY	5340-66-128-5332			2	2	2	2				
4	FN108041	NUT	5310-99-499-8033			4	4	4	4				
5	WL108001L	WASHER-LOCK	5310-99-137-9231			4	4	4	4				
6	WL112001L	WASHER-LOCK	5310-66-128-5111			2	2	2	2				
7	NH112041L	NUT				2	2	2	2				
8	FB108101	BOLT				4	4	4	4				
9	BH210111	BOLT	5306-66-128-5313			1	1	1	1				
10	WL110001L	WASHER-LOCK	5310-99-138-9228			7	7	7	7				
11	WA110061L	WASHER-PLAIN	5310-99-122-6476			7	7	7	7				
12	SH210301	SCREW	5305-66-128-5289			6	6	6	6				
13	NSS		6150-66-095-0371										
14	NSS		3020-66-090-7565										
15	DE290010046	WASHER-SPECIAL	5310-66-095-8033			1	1	1	1				
16	NSS		5305-66-129-9836										

CHANGE POINT

ARN INTRODUCTION

/

GROUP QGC



**ALTERNATOR – 28 VOLT, 100AMP
– FFR VEHICLES ONLY**

PERENTIE LAND ROVER PARTS LIST

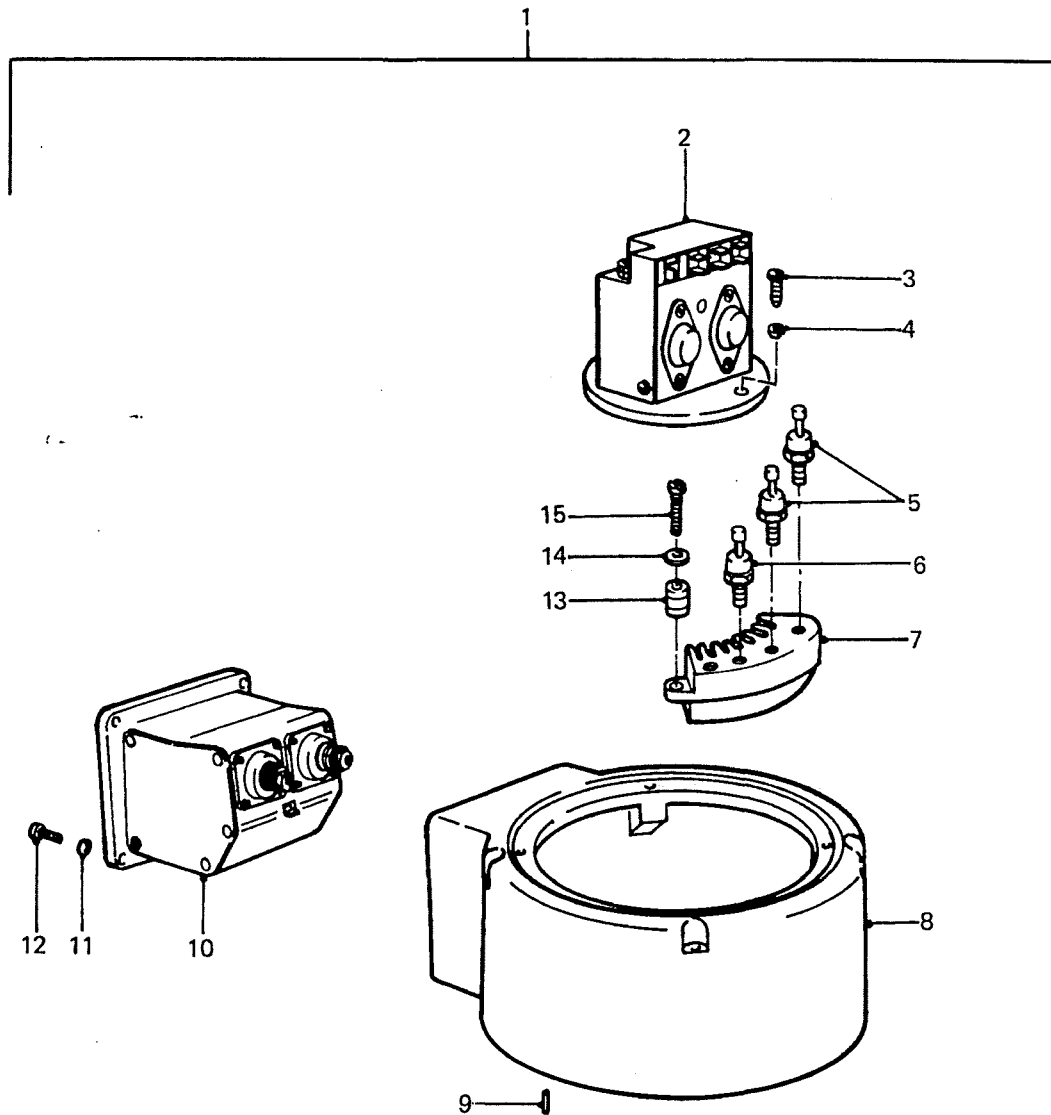
QGC/1/1 ALTERNATOR - 28 VOLT, 100 AMP - FFR ONLY

ITEM	PART NO.	DESCRIPTION	NSN	DERIVATIVE CODE									
				2188	2189	2190	2191	2192	2194	2195	2207 CP		
1	DE290010001	GENERATOR	2920-66-095-0364			1	1	1	1				
2	NSS		5306-66-095-8035										
3	NSS		5305-99-122-3380										
4	NSS		5330-66-129-9832										
5	NSS		3110-66-095-0369										
6	NSS		2920-66-095-0370										
7	NSS		5306-66-095-8037										
8	DE290010046	WASHER-SPECIAL	5310-66-095-8033			1	1	1	1				
9	NSS		5365-66-095-0368										
10	NSS		3110-66-133-4554										
11	NSS		2920-66-095-0366										
12	NSS		2920-66-095-0367										
13	NSS		5310-66-034-5612										
14	NSS		5305-99-135-0589										
15	NSS		5305-12-151-0668										
16	NSS		5310-66-037-2591										
17	NSS												
18	NSS		2920-66-095-0365										
19	NSS /												

CHANGE POINT

ARN INTRODUCTION

GROUP QGD



**END BELL/HEATSINK ASSEMBLY
– FFR VEHICLES ONLY**

PERENTIE LAND ROVER PARTS LIST

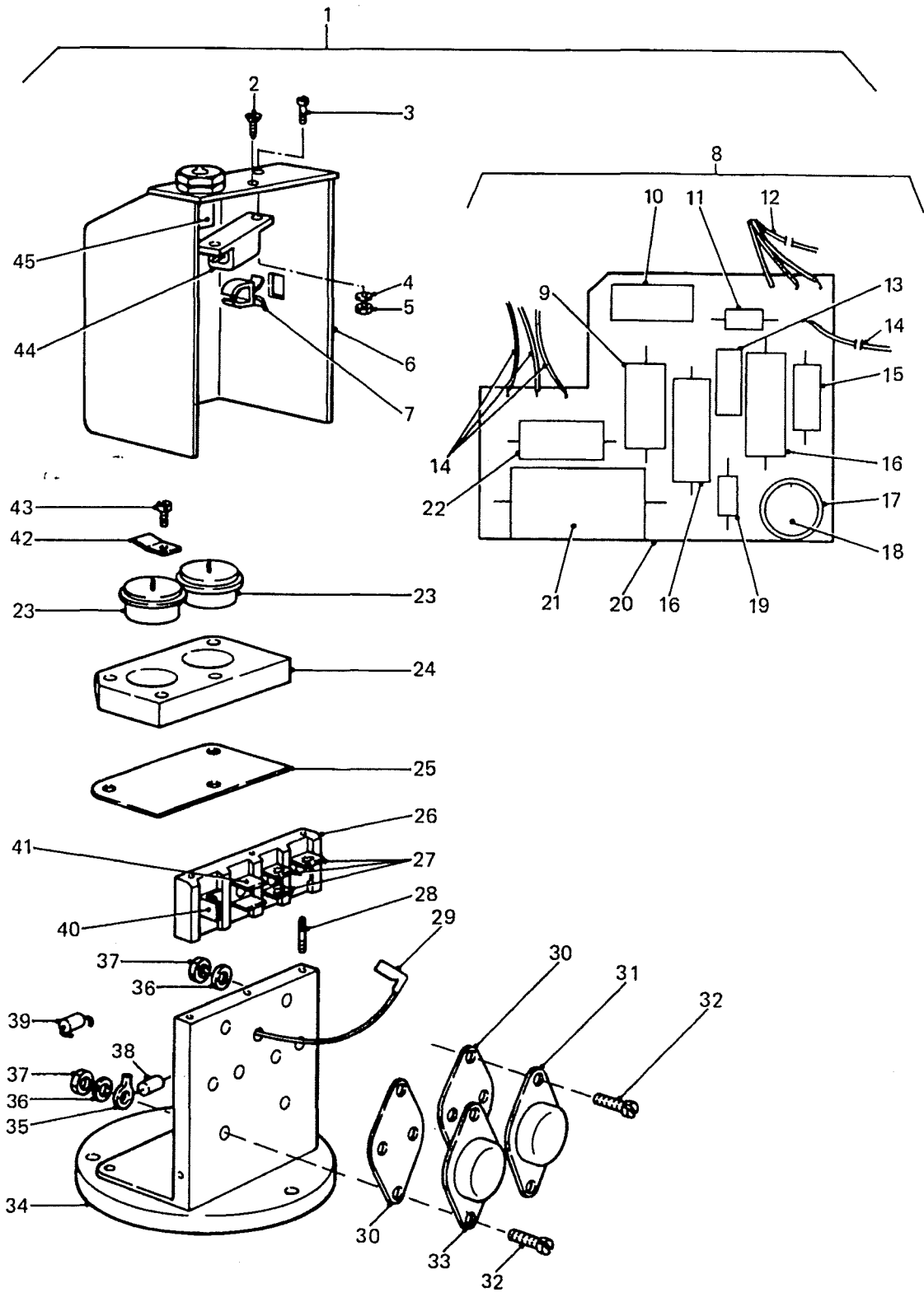
QGD/1/1 END BELL/HEATSINK ASSEMBLY - FFR ONLY

<u>ITEM</u>	<u>PART NO.</u>	<u>DESCRIPTION</u>	<u>NSN</u>	<u>DERIVATIVE CODE</u>										
				<u>2188</u>	<u>2189</u>	<u>2190</u>	<u>2191</u>	<u>2192</u>	<u>2194</u>	<u>2195</u>	<u>2207</u>	<u>CP</u>		
1	NSS		5999-66-096-4323											
2	NSS													
3	NSS		5305-99-135-0603											
4	NSS		5310-66-029-0699											
5	NSS		5961-01-013-9354											
6	NSS		5961-66-126-9903											
7	NSS		5999-66-096-4324											
8	NSS													
9	NSS		5315-66-095-8038											
10	NSS													
11	NSS		5310-66-029-0703											
12	NSS		5305-99-135-0591											
13	NSS		5970-66-096-4325											
14	WA105001L	WASHER-PLAIN	5310-99-122-3032			6	6	6	6					
15	NSS		5305-99-135-0606											

CHANGE POINT

ARN INTRODUCTION

GROUP QGE



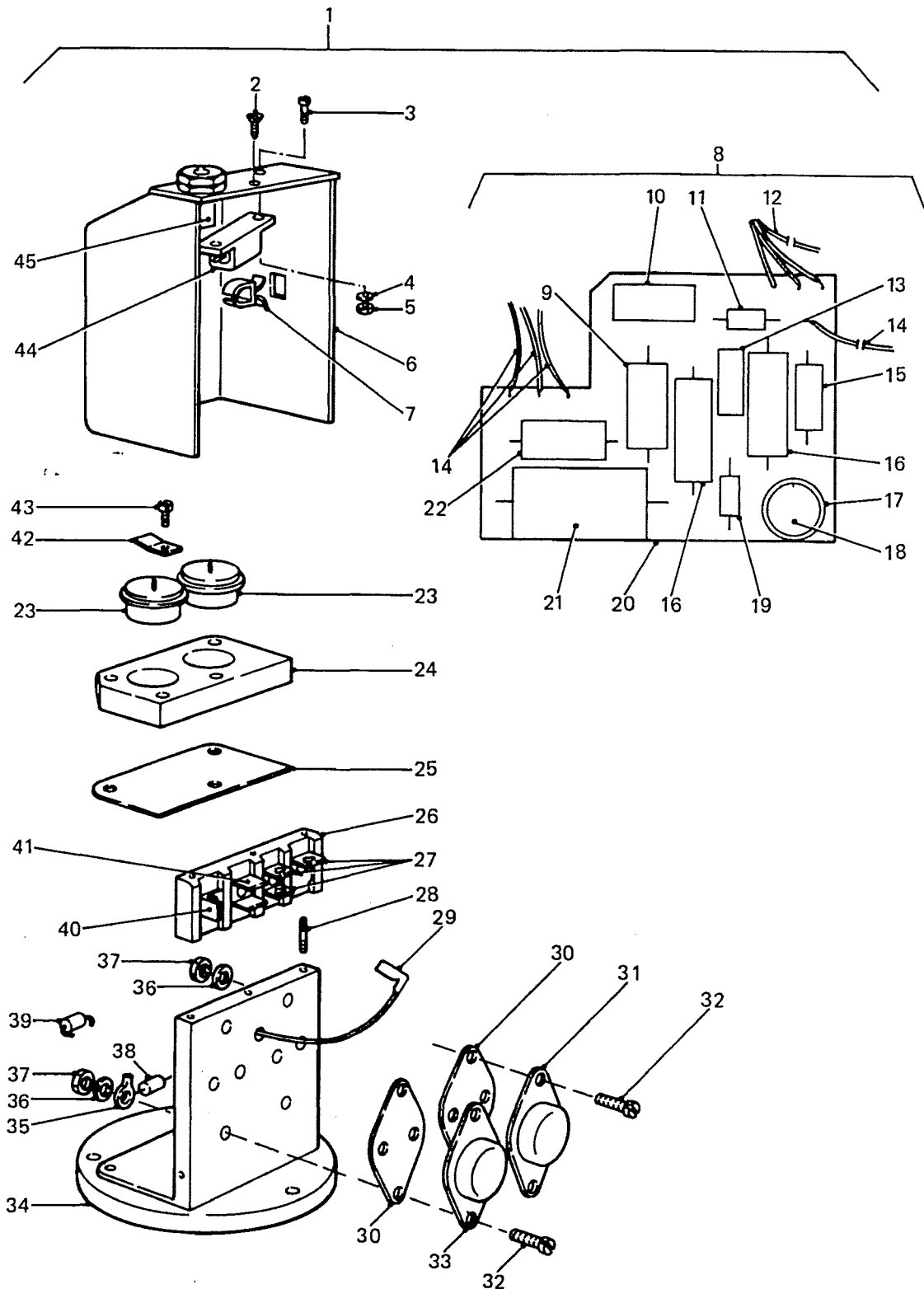
**REGULATOR ASSEMBLY
- FFR VEHICLES ONLY**

PERENTIE LAND ROVER PARTS LIST

QGE/1/1 REGULATOR ASSEMBLY - FFR ONLY

ITEM	PART NO.	DESCRIPTION	NSN	DERIVATIVE CODE									
				2188	2189	2190	2191	2192	2194	2195	2207	CP	
1	DE290010019	REGULATOR	2920-66-095-0372			1	1	1	1				
2	NSS		5305-99-135-0485										
3	NSS		5305-99-135-0485										
4	NSS		5310-12-149-5707										
5	NSS		5310-66-024-9219										
6	NSS												
7	NSS												
8	NSS												
9	NSS		5905-99-014-0545										
10	NSS		5905-99-014-0555										
11	NSS		5961-00-723-3602										
12	NSS												
13	NSS												
14	NSS												
15	NSS												
16	NSS												
17	NSS												
18	NSS		5961-00-938-7657										
19	NSS /		5961-00-060-1759										
20	NSS												
21	NSS		5910-99-653-7264										
22	NSS		5905-99-664-5837										
23	NSS												
24	NSS												
25	NSS												
26	NSS												
27	NSS												
28	NSS												
29	NSS												

GROUP QGE



**REGULATOR ASSEMBLY
- FFR VEHICLES ONLY**

PERENTIE LAND ROVER PARTS LIST

QGE/1/1 REGULATOR ASSEMBLY - FFR ONLY

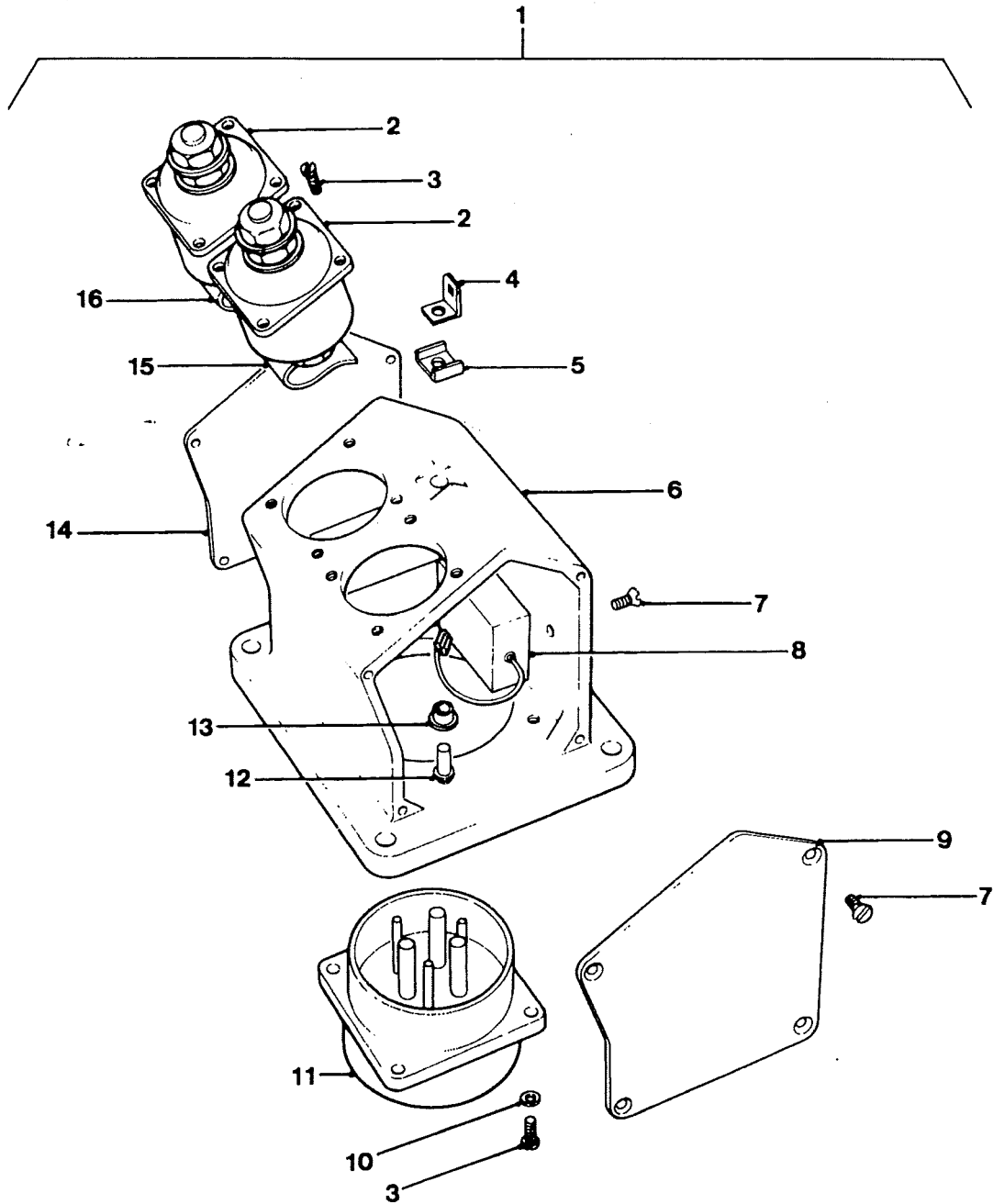
<u>ITEM</u>	<u>PART NO.</u>	<u>DESCRIPTION</u>	<u>NSN</u>	<u>DERIVATIVE CODE</u>															
				<u>2188</u>	<u>2189</u>	<u>2190</u>	<u>2191</u>	<u>2192</u>	<u>2194</u>	<u>2195</u>	<u>2207</u>	<u>CP</u>							
30	NSS																		
31	NSS		5961-66-098-4594																
32	NSS		5305-66-102-4318																
33	NSS		5961-66-070-0210																
34	NSS																		
35	NSS		5940-66-041-6207																
36	NSS																		
37	NSS		5310-12-122-0012																
38	NSS		5905-66-063-9731																
39	NSS																		
40	NSS		5940-66-096-4372																
41	NSS																		
42	NSS		5940-66-018-4333																
43	NSS		5305-66-102-4319																
44	NSS																		
45	NSS																		

CHANGE POINT

ARN INTRODUCTION

/

GROUP QGF SHEET 1



**FILTER ASSEMBLY (EARLY TYPE)
- FFR VEHICLES ONLY**

PERENTIE LAND ROVER PARTS LIST

QGF/1/1 FILTER ASSEMBLY (EARLY TYPE) - FFR ONLY

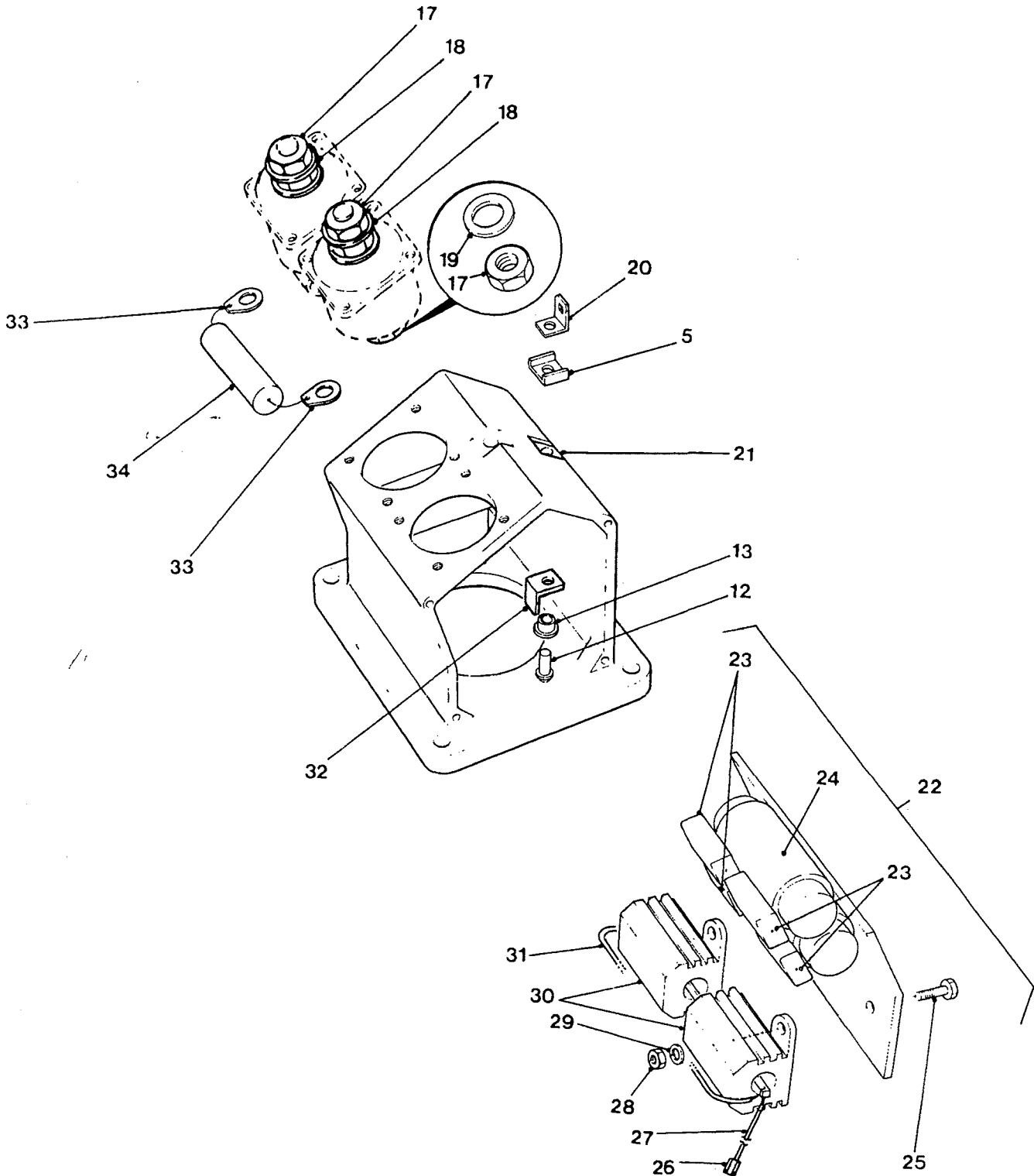
<u>ITEM</u>	<u>PART NO.</u>	<u>DESCRIPTION</u>	<u>NSN</u>	<u>DERIVATIVE CODE</u>																
				<u>2188</u>	<u>2189</u>	<u>2190</u>	<u>2191</u>	<u>2192</u>	<u>2194</u>	<u>2195</u>	<u>2207</u>	<u>CP</u>								
1	NSS		5915-66-096-4328																	
2	NSS		5910-66-096-4368																	
3	NSS		5305-99-135-0590																	
4	NSS		5940-66-096-4372																	
5	NSS		5970-66-096-4365																	
6	NSS		5915-66-096-4362																	
7	NSS		5305-99-135-0484																	
8	NSS		5915-66-096-4363																	
9	NSS		2920-66-095-0375																	
10	NSS		5310-66-029-0703																	
11	NSS		5935-00-729-8811																	
12	NSS		5320-66-095-8039																	
13	NSS		5970-66-096-4364																	
14	NSS		2920-66-095-0374																	
15	NSS		6150-66-118-4060																	
16	NSS		6150-66-096-4369																	

CHANGE POINT

ARN INTRODUCTION

/

GROUP QGF SHEET 2



**FILTER ASSEMBLY (LATE TYPE)
- FFR VEHICLES ONLY**

PERENTIE LAND ROVER PARTS LIST

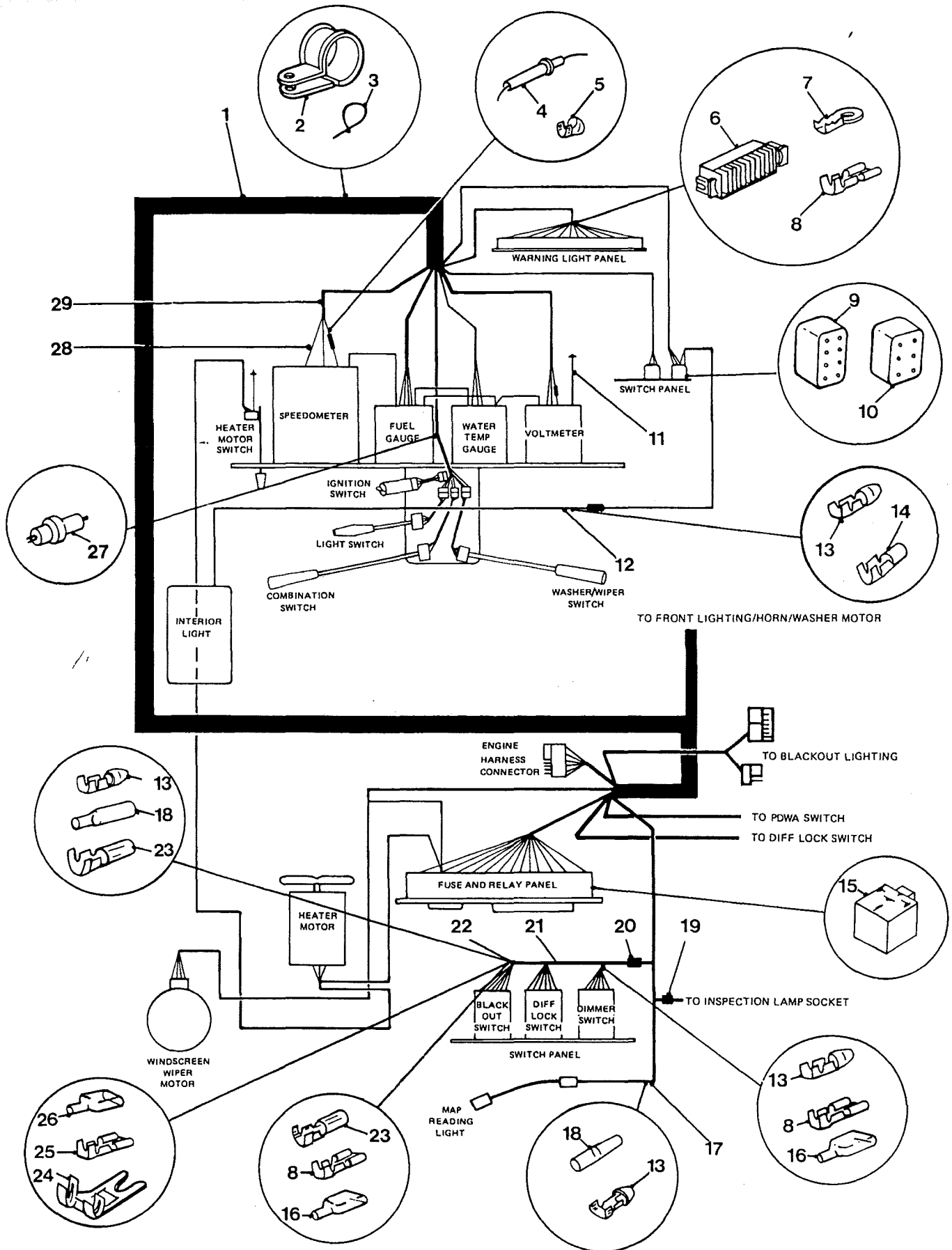
QGF/1/2 FILTER ASSEMBLY (LATE TYPE) - FFR ONLY

ITEM	PART NO.	DESCRIPTION	NSN	DERIVATIVE CODE									
				2188	2189	2190	2191	2192	2194	2195	2207	CP	
5	NSS		5970-66-096-4365										
12	NSS		5320-66-095-8039										
13	NSS		5970-66-096-4364										
17	NSS		5310-66-010-7828										
18	NSS		5310-66-014-1549										
19	NSS		5310-66-016-5982										
20	NSS												
21	NSS												
22	NSS												
23	NSS												
24	NSS												
25	NSS		5305-66-104-8417										
26	NSS		5940-66-096-4371										
27	NSS												
28	NSS		5310-66-024-9219										
29	NSS												
30	NSS												
31	NSS												
32	NSS												
33	NSS												
34	NSS		5910-01-066-5477										
	HYM82	PLUG	5935-00-825-7282					1	1	1	1		

CHANGE POINT

ARN INTRODUCTION

GROUP QH/1

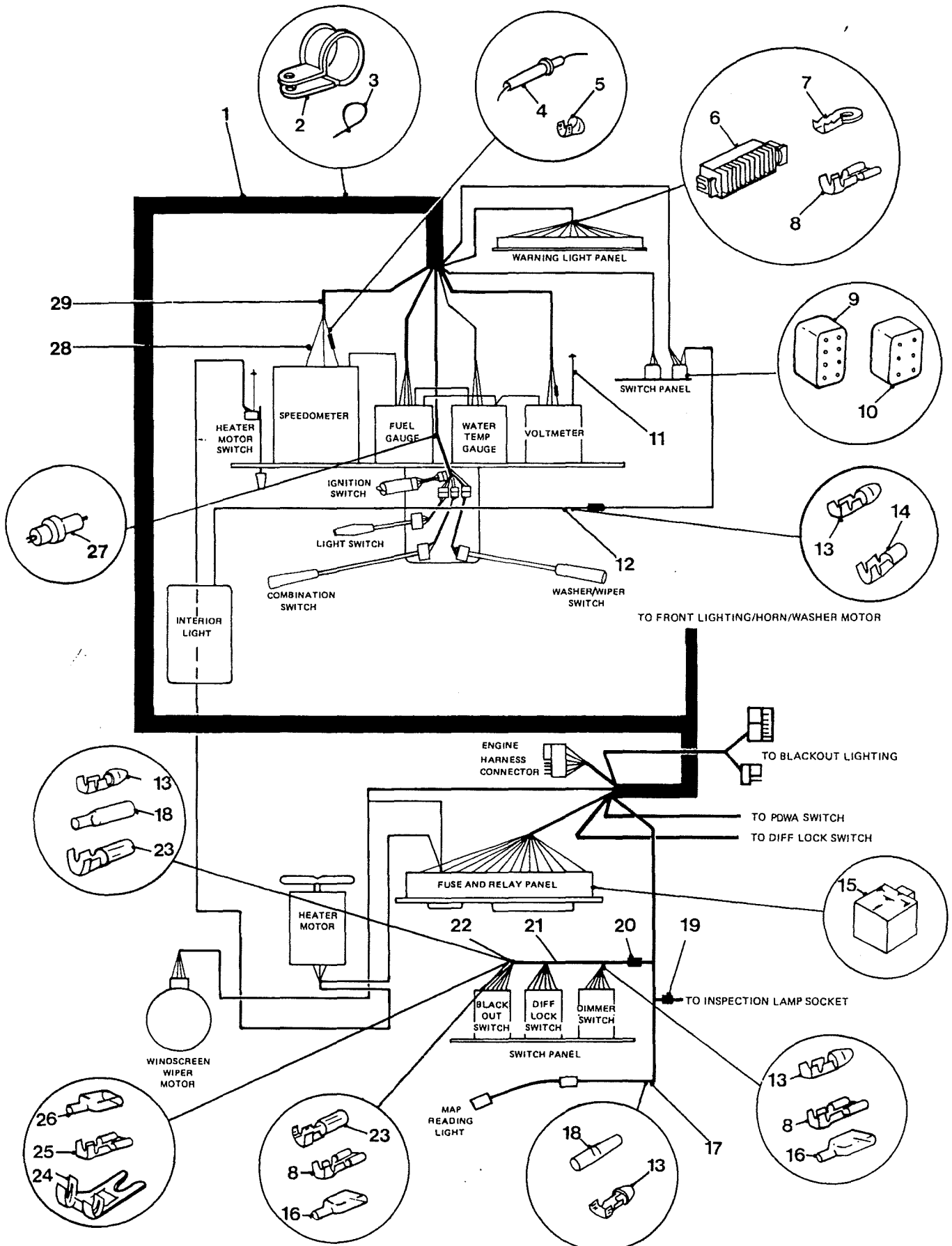


CAB WIRING AND FITTINGS

PERENTIE LAND ROVER PARTS LIST

ITEM	QH /1/1 PART NO.	CAB WIRING AND FITTINGS DESCRIPTION	NSN	DERIVATIVE CODE								
				2188	2189	2190	2191	2192	2194	2195	2207 CP	
1	PRC6757	HARNESS-MAIN-GLASS FUZE TYPE		1	1	1	1		1	1		
	PRC7850	HARNESS-MAIN-BLADE FUZE TYPE		1	1	1	1	1				01
	PRC8244	HARNESS-MAIN-BLADE FUZE TYPE & RELAYED H/LAMPS		1	1	1	1					02
	PRC8384	HARNESS-MAIN-BLADE FUZE TYPE & RELAYED H/LAMPS		1	1	1	1					03
2	C393771	CLIP		1	1	1	1	1	1	1	1	
3	AAU3686	CABLE STRAP	5975-99-787-7254	8	8	8	8	8	8	8	8	
4	HYL9427	FUZE HOLDER	5920-66-099-7499	2	2	2	2	2	2	2	2	
5	NSS											
6	NSS											
7	NSS											
8	NSS											
9	NSS											
10	AYG9806	CONNECTOR-6 PIN		1	1	1	1	1	1	1	1	
11	AYG9830	CABLE-INSTRUMENT EARTH		1	1	1	1	1	1	1	1	
12	BYG9177	CABLE-INTERIOR LIGHT		1	1	1	1	1	1	1	1	
13	MYH2565	TERMINAL-UTILUX	5940-66-128-4737	6	6	6	6	6	6	6	6	
14	NSS											
15	NSS											
16	NSS											
17	AYG9731	HARNESS-MAP LIGHT		1	1	1	1	1	1	1	1	
18	NSS											
19	BYG9120	LINK-FUSED-DIMMER SWITCH	6150-66-128-6031	1	1	1	1	1	1	1	1	

GROUP QH/1



CAB WIRING AND FITTINGS

PERENTIE LAND ROVER PARTS LIST

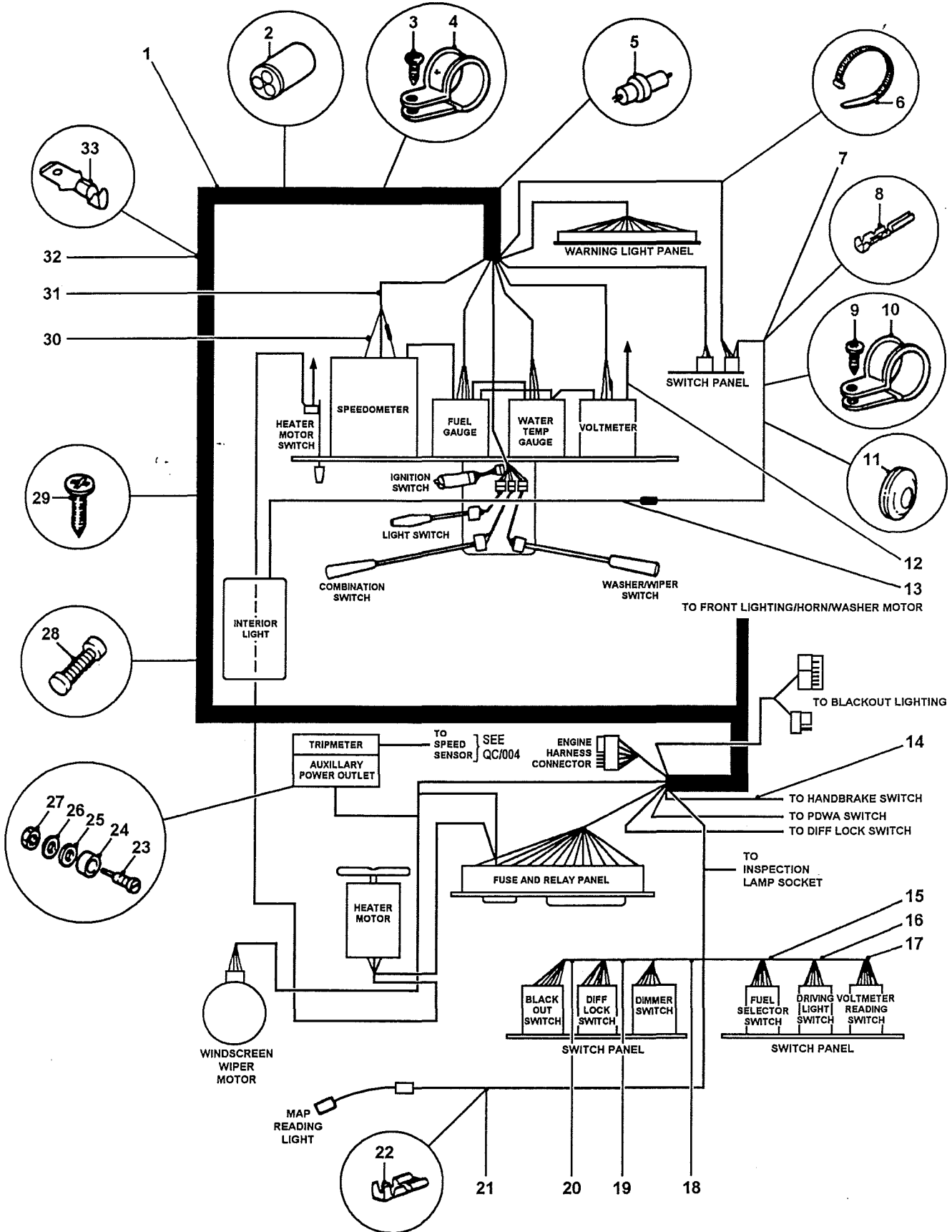
ITEM	QH /1/1 PART NO.	CAB WIRING AND FITTINGS DESCRIPTION	NSN	DERIVATIVE CODE							
				2188	2189	2190	2191	2192	2194	2195	2207 CP
20	BYG9119	LINK-FUSED-INSP. SOCKET	6150-66-128-6030	1	1	1	1	1	1	1	1
21	AYG9767	HARNESS-DIMMER SWITCH		1	1	1	1	1	1	1	1
22	AYG9768	CABLE-DIMMER SWITCH TO MAIN		1	1	1	1	1	1	1	1
23	NSS										
24	NSS										
25	NSS										
26	NSS										
27	AAU5034	DIODE		1	1	1	1	1	1	1	1
28	PRC7329	CABLE-INSTRUMENT ILLUMINATION		1	1	1	1	1	1	1	1
29	BYG9147	HARNESS-INSTRUMENTS		1	1	1	1	1	1	1	1
	BYG9140	CABLE-LINK H/LAMP O/RIDE		1	1	1	1	1	1	1	1
	AFU1090	CLIP CABLE		5	5	5	5	5	5	5	5
	BYG9073	FUSEBOX -PART OF AYG9919/9120		2	2	2	2	2	2	2	2
	RTC4501	FUSE-10AMP-BLADE TYPE	5920-99-759-5252	1	1	1	1	1	1	1	1
	RTC4497	FUSE-5AMP-BLADE TYPE	5920-99-767-2990	1	1	1	1	1	1	1	1
	DRC1538	CABLE TIE-H/BRAKE SWITCH		4	4	4	4	4	4	4	4
	C4082	RESISTOR-100 OHM		2	2	2	2	2	2	2	2
	PRC3095	HARNESS-PDWA SWITCH		1	1	1	1	1	1	1	1

CHANGE POINT

ARN INTRODUCTION

- | | |
|---|-----------------------------|
| 1 | 49-673 SOFT TOP FFR |
| 2 | 50-041 SOFT TOP CARGO+WINCH |
| 3 | 51-425 SOFT TOP CARGO |

GROUP QH/2

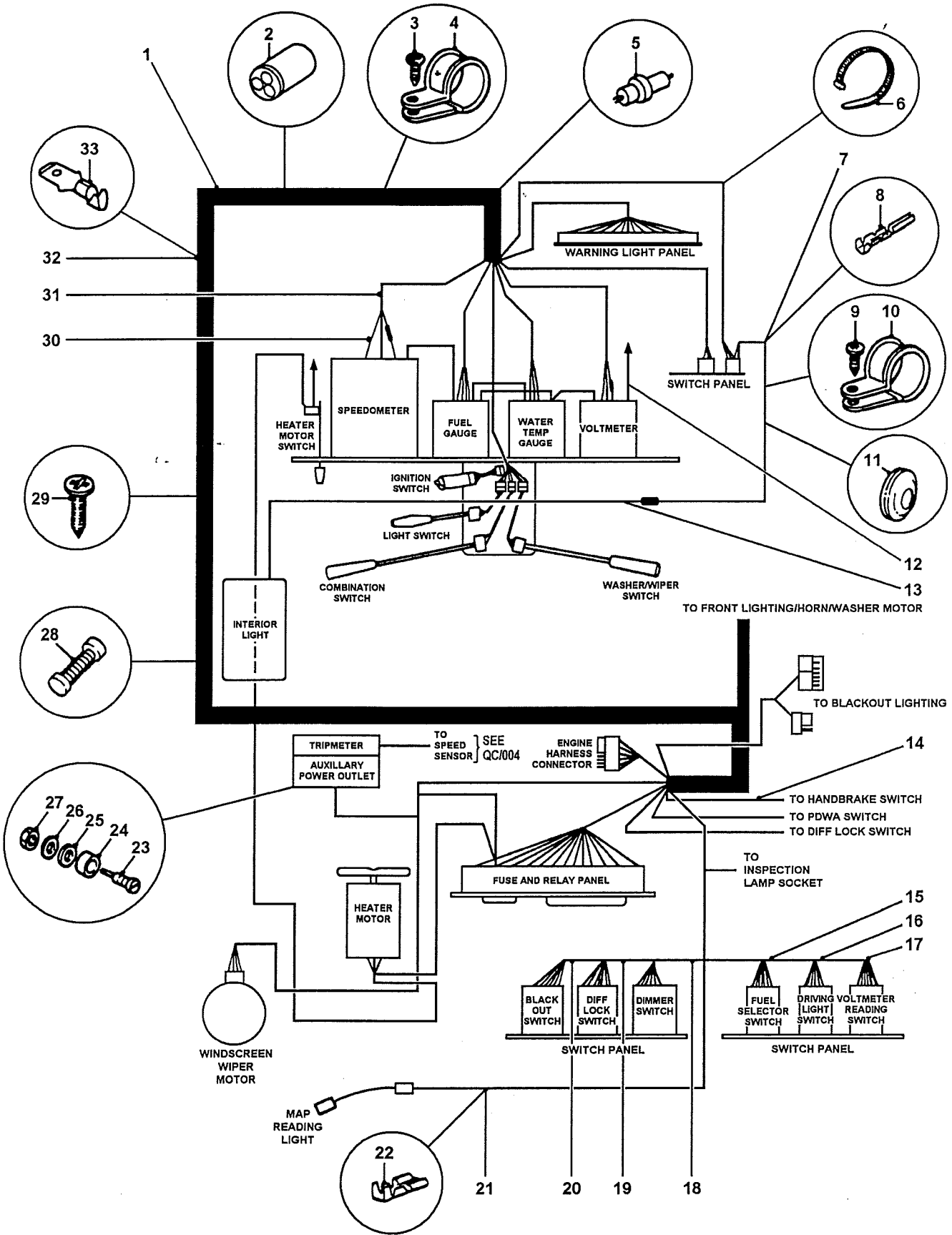


CAB WIRING AND FITTINGS - RFSV ONLY

PERENTIE LAND ROVER PARTS LIST

ITEM	QH /2/1 PART NO.	CAB WIRINGS AND FITTINGS - RFSV ONLY DESCRIPTION	NSN	DERIVATIVE CODE							CP	
				2188	2189	2190	2191	2192	2194	2195		2207
1	PRC8384	HARNESS-MAIN									1	01
2	BHA4460	CONNECTOR	5935-99-797-3839									2
3	MYH3337	SCREW	5305-66-128-5341									3
4	MYH2697	CLIP	5340-66-128-4546									3
5	AAU5034	DIODE										1
6	AAU3686	CABLE STRAP	5975-99-787-7254									8
7	BYG9177	CABLE-INTERIOR LIGHT										1
8	NSS											
9	AB606041L	SCREW	5305-99-950-4416									
10	AEU1448	CLIP-CABLE										2
11	RFR208	GROMMET										1
12	AYG9830	CABLE -INSTRUMENT EARTH										1
13	BYG9177	CABLE-INTERIOR LIGHT										1
14	PRC4442	LEAD -HANDBRAKE SWITCH										1
15	BYG9183	HARNESS-FUEL SWITCH										1
16	BYG9110	CABLE-HARNESS TO SWITCH										1
17	BYG9111	CABLE-SWITCH TO VOLTMETER										1
18	BYG9120	LINK-FUSED-DIMMER SWITCH	6150-66-128-6030									1
19	BYG9357	CABLE-BLACKOUT SWITCH										1
20	BYG9056	HARNESS-4 POSITION SWITCH										1
21	BYG9268	HARNESS-MAP LIGHT										1
22	NSS											
23	PRC2078	SOCKET -INSPECTION LAMP	5935-99-797-3844									2

GROUP QH/2



CAB WIRING AND FITTINGS - RFSV ONLY

PERENTIE LAND ROVER PARTS LIST

ITEM	QH /2/1 PART NO.	CAB WIRINGS AND FITTINGS - RFSV ONLY DESCRIPTION	NSN	DERIVATIVE CODE							CP
				2188	2189	2190	2191	2192	2194	2195	
24	PRC2080	BUSH-INSULATION-BLACK								1	
24	PRC2079	BUSH-INSULATION-RED								1	
25	MYH3548	O RING								2	
26	WF507L	WASHER-PLAIN								2	
27	PRC2087	NUT-NYLON								2	
28	PRC9096	RESISTOR-100 OHMS								2	
29	AB614061L	SCREW-HARNESSES TO DASH	5305-99-941-9038							1	
30	PRC7329	CABLE INSTRUMENT ILLUMINATION								1	
31	BYG9147	HARNESS-INSTRUMENTS								1	
32	BYG9140	CABLE LINK-H/LAMP O/RIDE								1	
33	NSS										
	AFU1090	CLIP CABLE								1	
	AYG9806	CONNECTOR-6 PIN								1	
	MYH2565	TERMINAL-UTILUX	5940-66-128-4737							18	
	BYG9073	FUSEBOX-PART OF AYG9119/9120								2	
	RTC4501	FUSE-BLADE TYPE-10 AMP	5920-99-759-5252							1	
	RTC4497	FUSE-5AMP-BLADE TYPE	5920-99-767-2990							1	
	DRC1538	CABLE TIE-H/BRAKE SWITCH								4	
	PRC3095	HARNESS-PDWA SWITCH								1	
	BYG9277	HARNESS-INTERNAL -DRIVING LAMP (SEE QJJ 9001)								2	

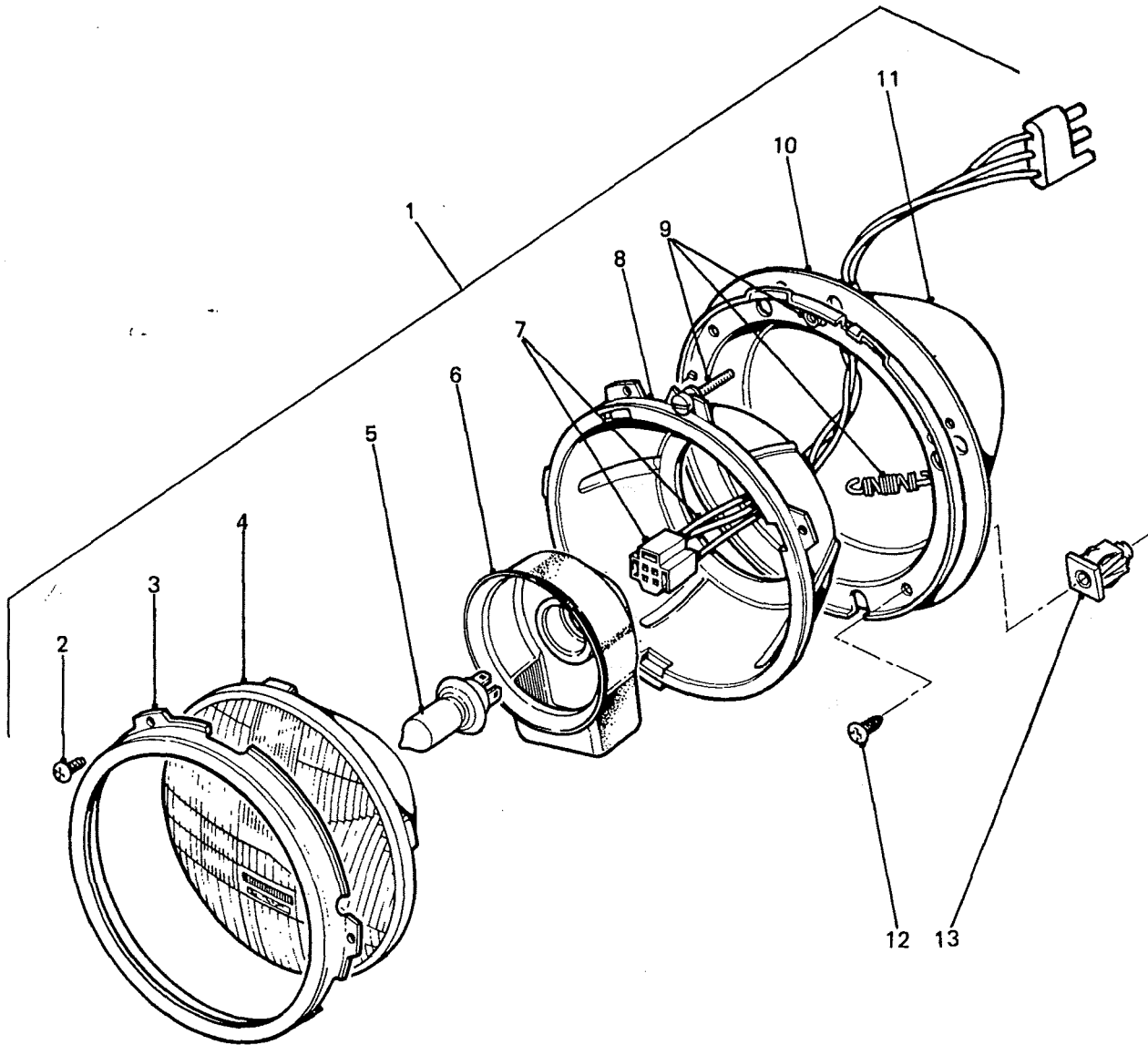
CHANGE POINT

1

ARN INTRODUCTION

51-581

GROUP QJA



HEADLAMP ASSEMBLY

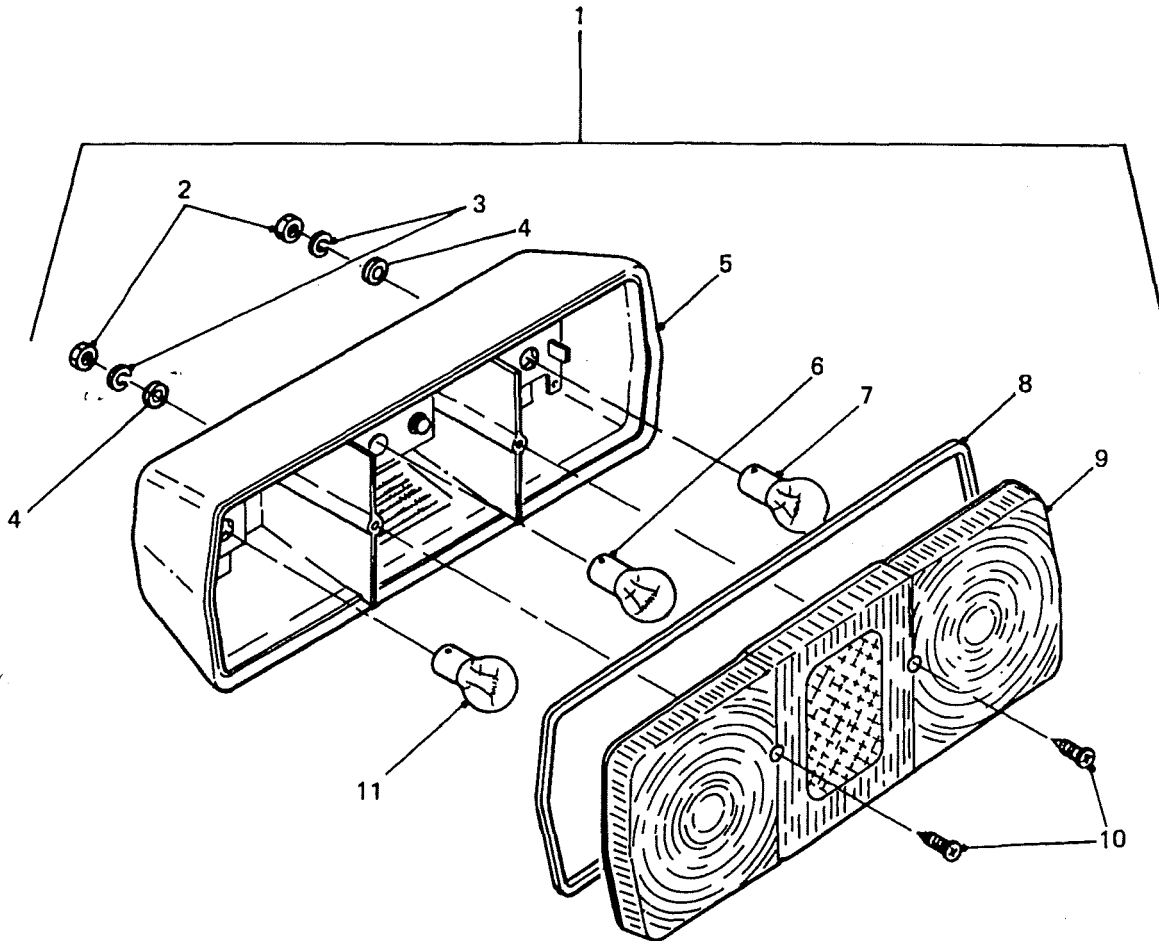
PERENTIE LAND ROVER PARTS LIST

ITEM	PART NO.	DESCRIPTION	NSN	DERIVATIVE CODE								
				2188	2189	2190	2191	2192	2194	2195	2207	CP
1	BAU2144	HEADLAMP ASSY (INCLUDES ITEMS 2-11)	6220-99-755-8187	2	2	2	2	2	2	2	2	2
2	AB606022L	SCREW	5305-99-139-6674	6	6	6	6	6	6	6	6	6
3	PRC7992	RIM-HEADLAMP	6220-99-804-5566	2	2	2	2	2	2	2	2	2
4	RTC4615	LIGHT UNIT	6220-99-404-7858	2	2	2	2	2	2	2	2	2
5	GLB472	BULB 60/55 WATT	6240-66-108-4835	2	2	2	2	2	2	2	2	2
6	R156206	COVER-SEALING	6220-99-827-5264	2	2	2	2	2	2	2	2	2
7	BAU2110	ADAPTER AND CABLE	6220-99-803-3878	2	2	2	2	2	2	2	2	2
8	27H6481L	RIM-SEATING		2	2	2	2	2	2	2	2	2
9	BHM7058L	KIT-SCREWS		2	2	2	2	2	2	2	2	2
10	R531586	GASKET	6220-99-805-4311	2	2	2	2	2	2	2	2	2
11	NSS											
12	AB608047	SCREW		8	8	8	8	8	8	8	8	8
13	R79051	NUT-LOKUT	5310-99-138-0422	8	8	8	8	8	8	8	8	8
	HYM438	PROTECTOR KIT-HEADLAMP	6220-66-134-9948	1	1	1	1	1	1	1	1	1

CHANGE POINT

ARN INTRODUCTION

GROUP QJB



**REAR STOP, TAIL, TURN INDICATOR
AND REVERSE LAMP**

PERENTIE LAND ROVER PARTS LIST

QJB/1/1

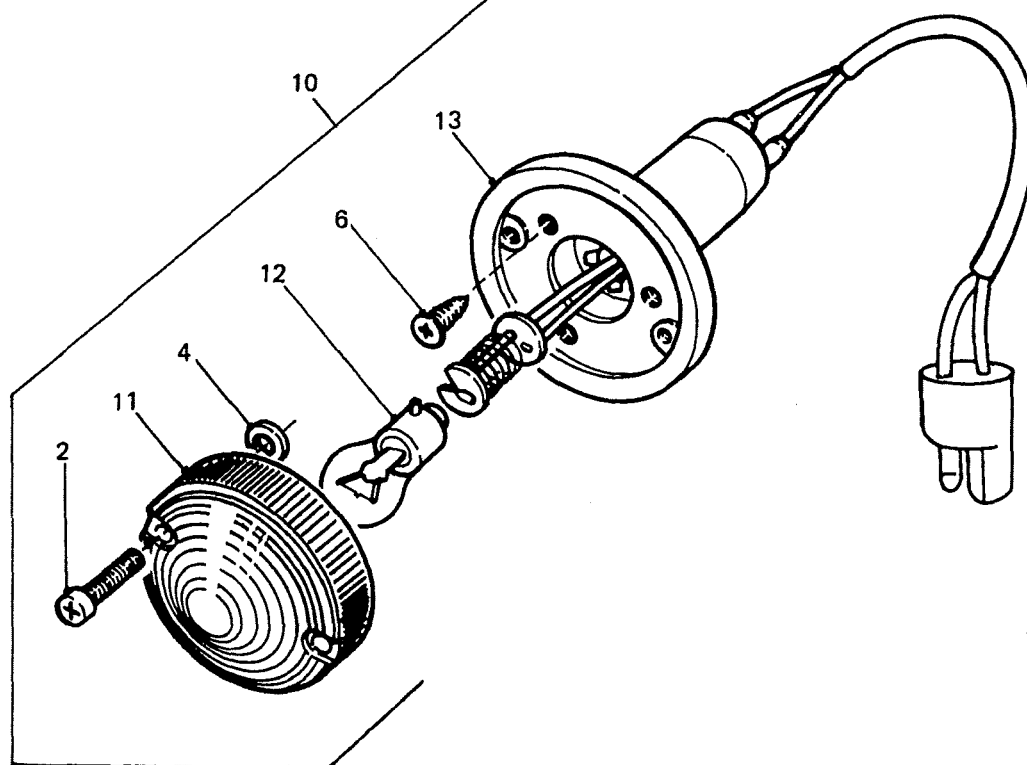
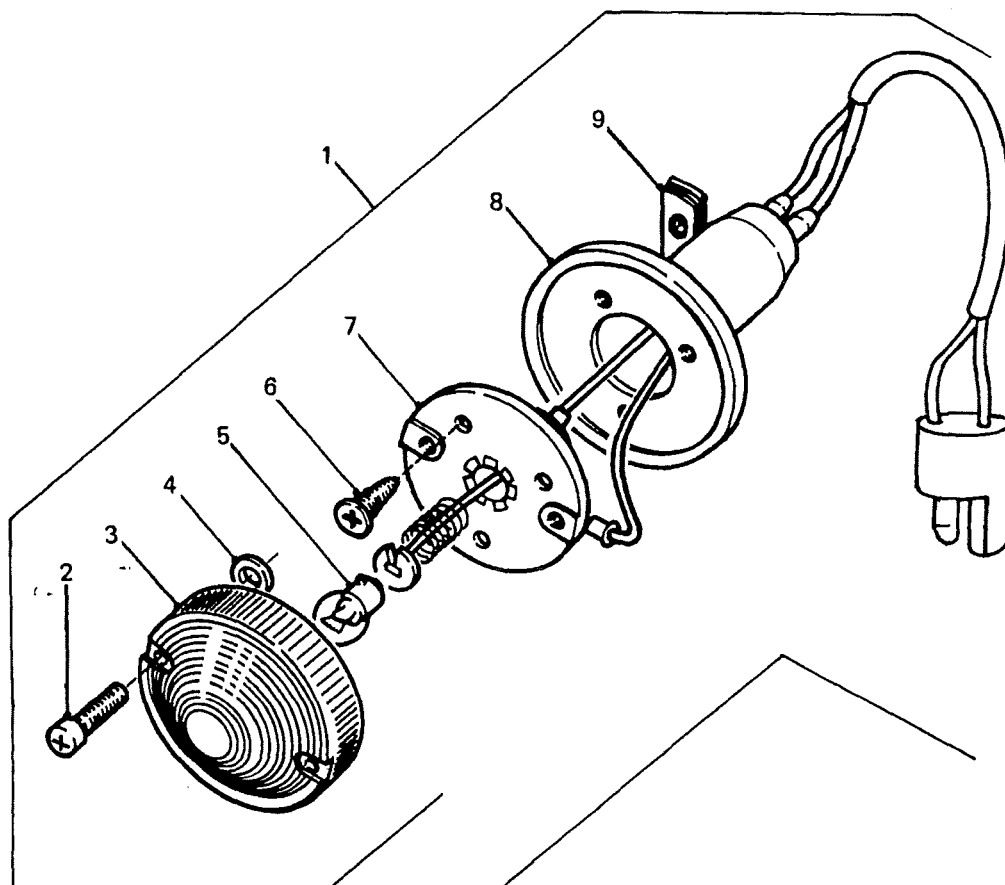
REAR STOP, TAIL, TURN INDICATOR AND REVERSE LAMPS

ITEM	PART NO.	DESCRIPTION	NSN	DERIVATIVE CODE								CP
				2188	2189	2190	2191	2192	2194	2195	2207	
1	AYG9552	REAR LIGHT(INCLUDES ITEMS 2-11)	6220-66-112-9597	2	2	2	2	2	2	2	2	2
2	NH604041L	NUT	5310-66-019-3956	4	4	4	4	4	4	4	4	4
3	WM600041L	WASHER-LOCK		4	4	4	4	4	4	4	4	4
4	WA106041L	WASHER-PLAIN	5310-66-098-4440	4	4	4	4	4	4	4	4	4
5	NSS											
6	HYL8644	GLOBE-12V,21/6W	6240-66-022-3583	2	2	2	2	2	2	2	2	2
7	HYL8641	GLOBE-12V,10W	6240-66-022-9434	2	2	2	2	2	2	2	2	2
8	HYL8670	GASKET-LENS	5330-66-054-8813	2	2	2	2	2	2	2	2	2
9	HYL8584	LENS	6220-66-112-9598	2	2	2	2	2	2	2	2	2
10	NSS		5305-66-013-9438									
11	GLB382	GLOBE-12V,21W	6240-66-010-8161	2	2	2	2	2	2	2	2	2

CHANGE POINT

ARN INTRODUCTION

GROUP QJC



FRONT PARK AND TURN INDICATOR LAMPS

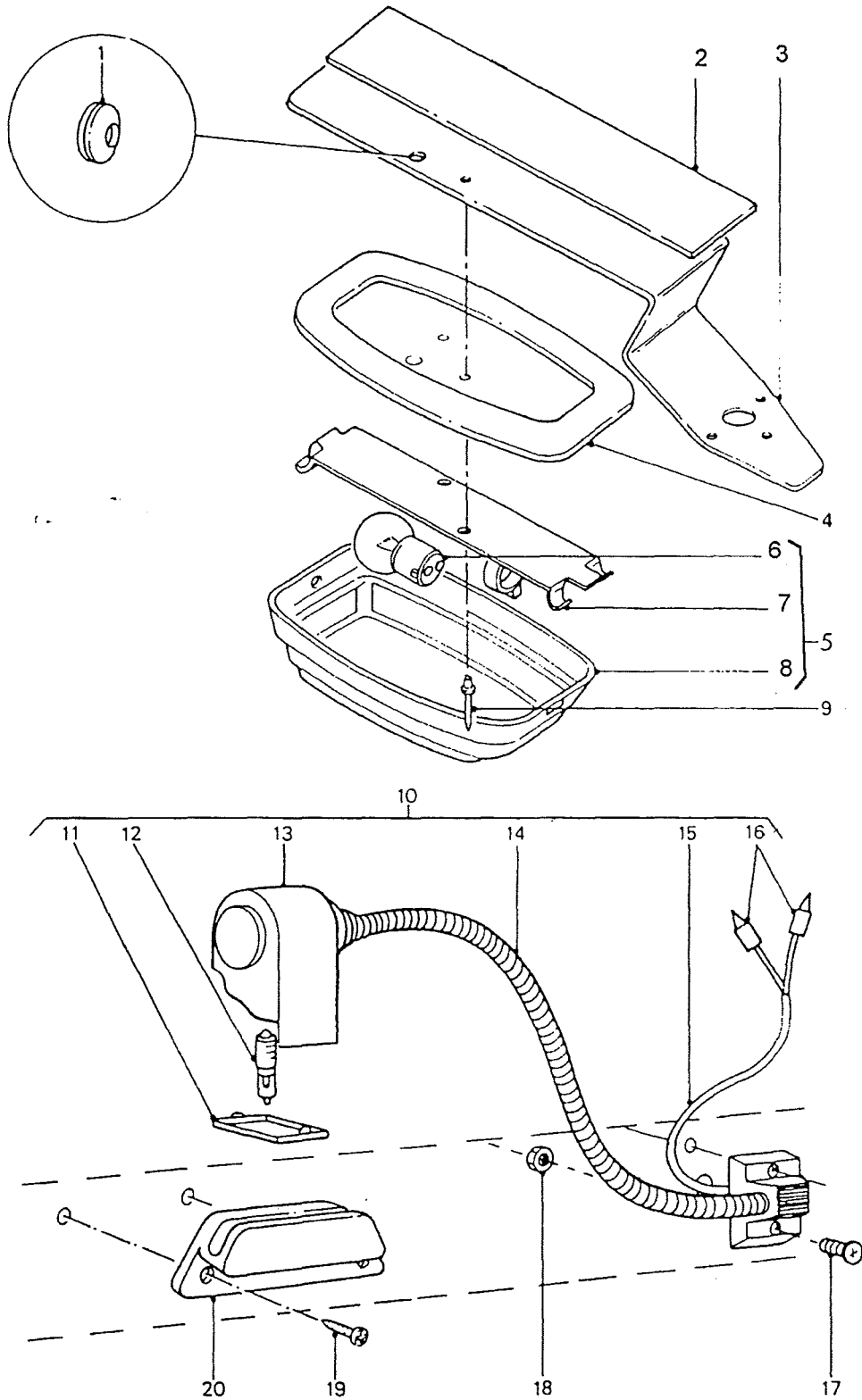
PERENTIE LAND ROVER PARTS LIST

ITEM	PART NO.	DESCRIPTION	NSN	DERIVATIVE CODE								
				2188	2189	2190	2191	2192	2194	2195	2207	CP
1	RTC5012	SIDE LAMP (INCLUDES ITEMS 2-9)	6220-66-095-8576	2	2	2	2	2	2	2	2	2
2	R608004	SCREW/WASHER	5305-99-831-1505	4	4	4	4	4	4	4	4	4
3	R589284	LENS SIDE LAMP	6220-66-095-8574	2	2	2	2	2	2	2	2	2
4	NSS	USE ITEM 2										
5	R570822	GLOBE-12V,6W	6240-99-995-3248	2	2	2	2	2	2	2	2	2
6	AB606041L	SCREW	5305-99-950-4416	6	6	6	6	6	6	6	6	6
7	NSS											
8	NSS											
9	AK606021L	NUT SPRING	5310-99-739-5282	6	6	6	6	6	6	6	6	6
10	RTC5013	FLASHER LAMP-FRONT (INCLUDES ITEMS 2,4,6,11-13)	6220-99-828-7807	2	2	2	2	2	2	2	2	2
11	R589285	LENS -FLASHER LAMP	6220-99-828-7809	2	2	2	2	2	2	2	2	2
12	GLB382	GLOBE-12V,21W	6240-66-010-8161	2	2	2	2	2	2	2	2	2
13	NSS											

CHANGE POINT

ARN INTRODUCTION

GROUP QJD



INTERIOR LAMP AND MAP READING LAMP

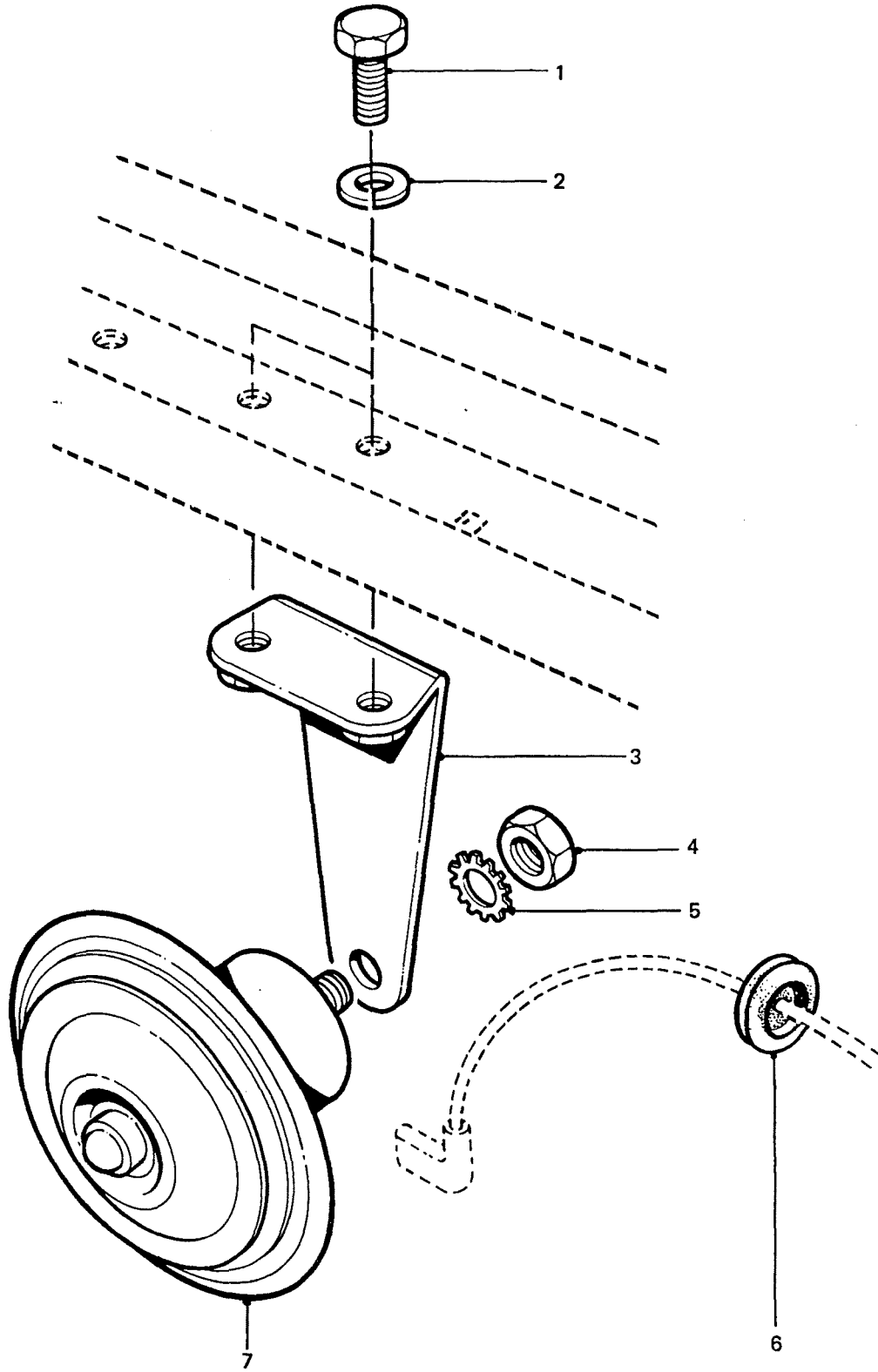
PERENTIE LAND ROVER PARTS LIST

<u>ITEM</u>	<u>PART NO.</u>	<u>DESCRIPTION</u>	<u>NSN</u>	<u>DERIVATIVE CODE</u>								
				<u>2188</u>	<u>2189</u>	<u>2190</u>	<u>2191</u>	<u>2192</u>	<u>2194</u>	<u>2195</u>	<u>2207</u>	<u>CP</u>
1	R312856	GROMMET	5325-66-089-5324	1	1	1	1	1	1	1	1	1
2	NSS											
3	HYG2401	BRACKET-LAMP		1	1	1	1	1	1	1	1	1
4	MWC9601	GASKET-LAMP	5330-66-128-5335	1	1	1	1	1	1	1	1	1
5	STC251	LAMP-ROOF	6220-99-430-4135	1	1	1	1	1	1	1	1	1
6	GLB382	GLOBE 12V,21W	6240-66-010-8161	1	1	1	1	1	1	1	1	1
7	NSS											
8	NSS											
9	RA610183	POP RIVET	5320-66-128-6193	2	2	2	2	2	2	2	2	2
10	AYG9759	MAP LIGHT	6220-66-128-4245	1	1	1	1	1	1	1	1	1
11	NSS											
12	YL125	GLOBE	6240-66-128-4237	1	1	1	1	1	1	1	1	1
13	NSS											
14	NSS											
15	NSS											
16	NSS		5940-66-128-5373									
17	SE104204	SCREW	5305-66-128-4574	2	2	2	2	2	2	2	2	2
18	NY104041L	NYLOC NUT		2	2	2	2	2	2	2	2	2
19	AB608064L	SCREW	5305-66-128-4575	2	2	2	2	2	2	2	2	2
20	R392954	HOOK-RETAINING	5340-66-128-5862	1	1	1	1	1	1	1	1	1
	MYH5227/270	SEAL-BRACKET		1	1	1	1	1	1	1	1	1

CHANGE POINT

ARN INTRODUCTION

GROUP QJE



HORN

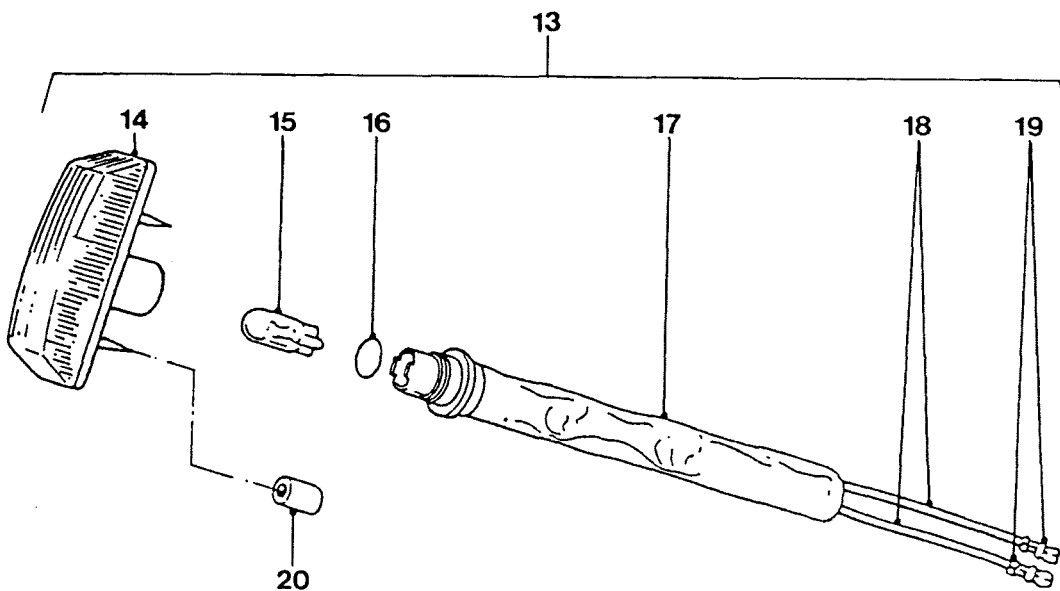
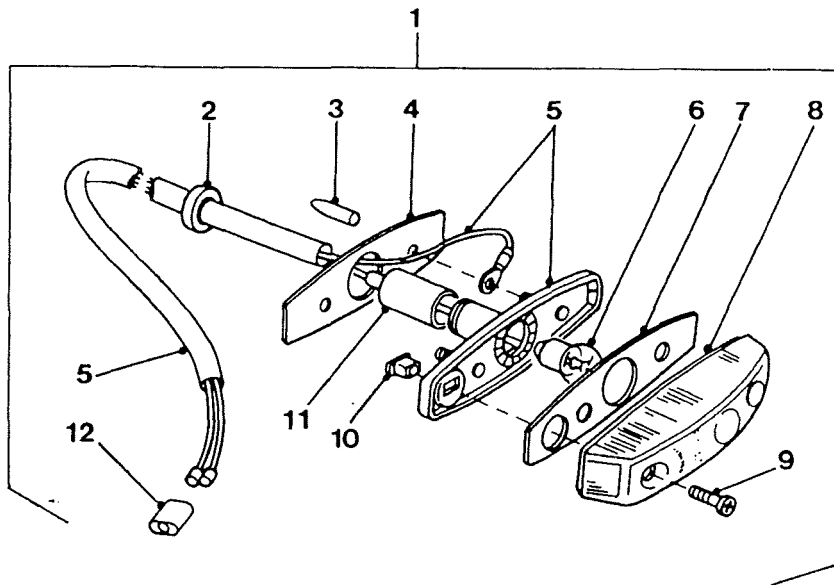
PERENTIE LAND ROVER PARTS LIST

<u>ITEM</u>	<u>QJE/1/1</u> <u>PART NO.</u>	<u>HORN</u> <u>DESCRIPTION</u>	<u>NSN</u>	<u>DERIVATIVE CODE</u>								
				<u>2188</u>	<u>2189</u>	<u>2190</u>	<u>2191</u>	<u>2192</u>	<u>2194</u>	<u>2195</u>	<u>2207</u>	<u>CP</u>
1	SH106141	SCREW	5305-99-137-5622	2	2	2	2	2	2	2	2	2
2	WL106001L	WASHER-LOCK	5310-99-137-9232	2	2	2	2	2	2	2	2	2
3	PRC1984	MOUNTING BRKT	5340-66-128-5027	1	1	1	1	1	1	1	1	1
4	NT108041L	NUT	5310-66-098-4402	1	1	1	1	1	1	1	1	1
5	WE108001L	WASHER-LOCK	5310-66-128-4577	1	1	1	1	1	1	1	1	1
6	R235113	GROMMET	5325-99-804-8115	1	1	1	1	1	1	1	1	1
7	PRC2057	HORN	2590-99-797-3883	1	1	1	1	1	1	1	1	1

CHANGE POINT

ARN INTRODUCTION

GROUP QJF SHEET 1



**SIDE REPEATER, REDUCED HEADLAMP
AND FRONT BLACKOUT LAMP**

PERENTIE LAND ROVER PARTS LIST

ITEM	PART NO.	DESCRIPTION	NSN	DERIVATIVE CODE								CP
				2188	2189	2190	2191	2192	2194	2195	2207	
1	R589143	LAMP-REPEATER (INCLUDES ITEMS 2-12)	6220-99-730-6265	2	2	2	2				2	01
2	R233243	GROMMET	5325-99-895-1817	2	2	2	2				2	
3	MWC9606	BUSH-FRICTION	5325-66-128-5358	4	4	4	4				4	
4	R608312	GASKET-LAMP	6220-99-805-1983	2	2	2	2				2	
5	NSS											
6	R570822	GLOBE	6240-99-995-3248	2	2	2	2				2	
7	R608311	GASKET-LAMP	6220-99-804-8092	2	2	2	2				2	
8	27H2403	LENS-REPEATER LAMP	6220-66-128-4298	2	2	2	2				2	
9	NSS											
10	NSS											
11	R233243	GROMMET	5325-99-895-1817	2	2	2	2				2	
12	BHA4460	CONNECTOR	5935-99-797-3839	2	2	2	2				2	
13	PRC7044	LAMP-REPEATER (INCLUDES ITEMS 14 TO 19)	6220-66-128-5301	2	2	2	2	2	2		2	01
14	NSS											
15	BFS501	GLOBE-12V,5W	6240-99-995-2312	2	2	2	2	2	2		2	
16	NSS											
17	NSS											
18	NSS											
19	NSS											
20	MWC9606	BUSH-FRICTION	5325-66-128-5358	4	4	4	4	4	4		4	

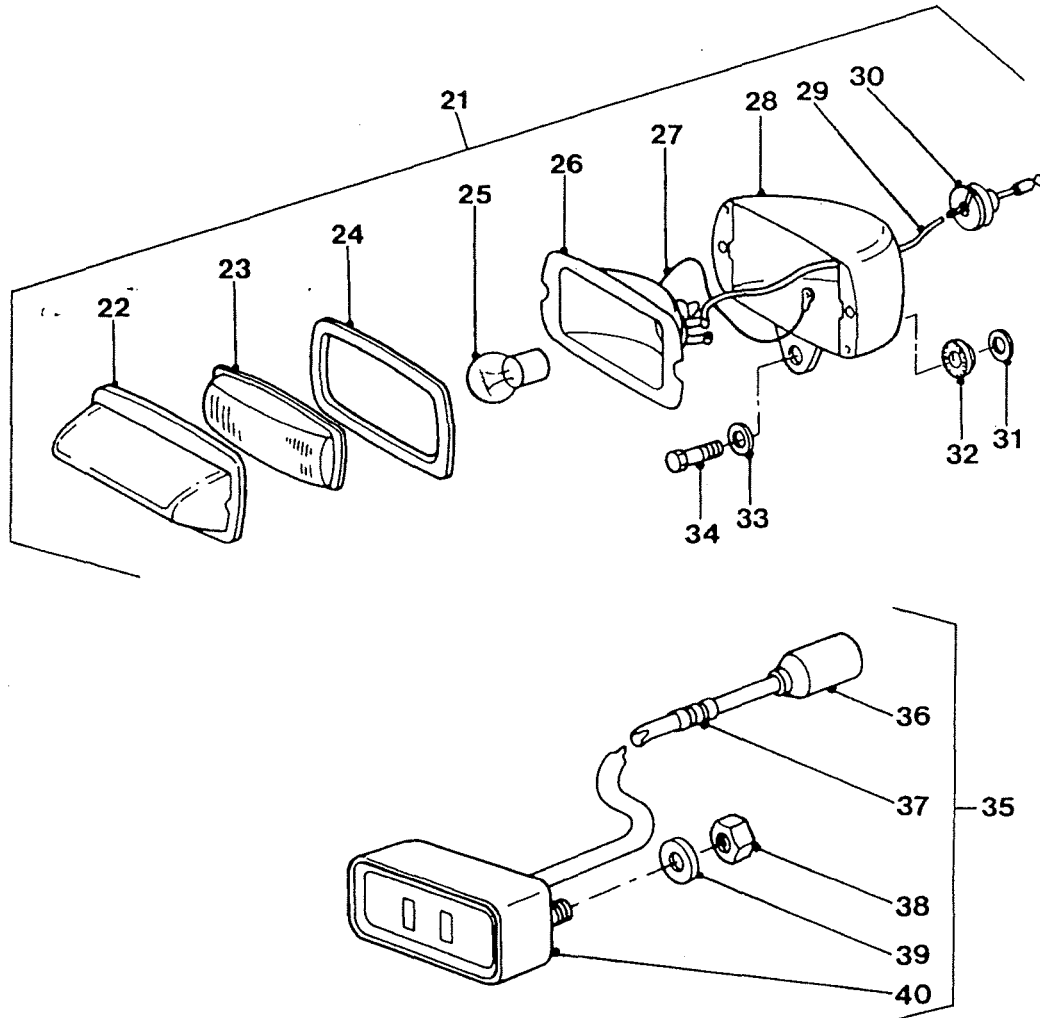
CHANGE POINT

1

ARN INTRODUCTION

48-560 SOFT TOP CARGO 48-608 SOFT TOP FFR WITH WINCH

GROUP QJF SHEET 2



**SIDE REPEATER, REDUCED HEADLAMP
AND FRONT BLACKOUT LAMP**

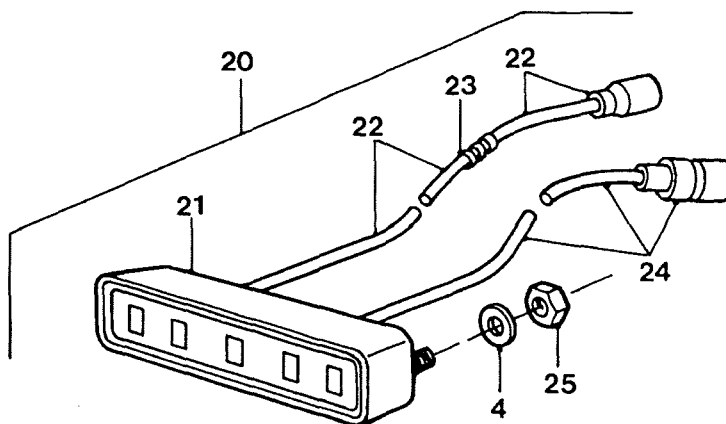
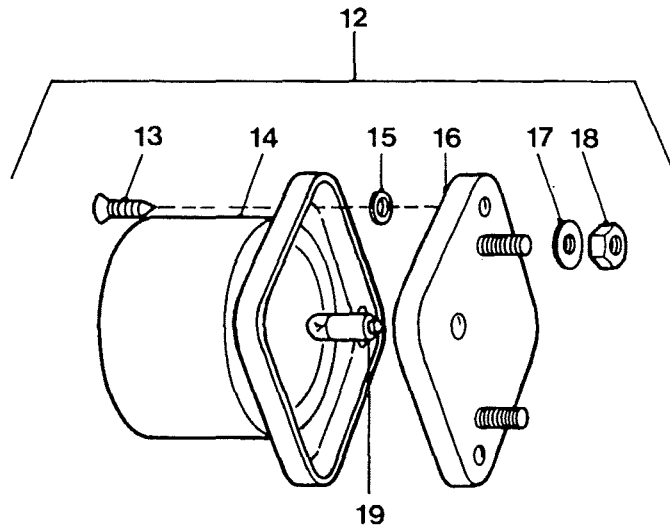
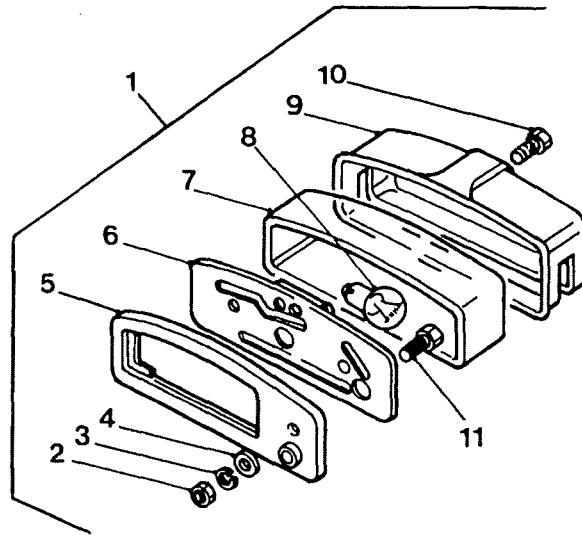
PERENTIE LAND ROVER PARTS LIST

ITEM	PART NO.	DESCRIPTION	NSN	DERIVATIVE CODE								CP
				2188	2189	2190	2191	2192	2194	2195	2207	
21	HYG2584	HEADLAMP-REDUCED (INCLUDES ITEMS 22-29, 31-34)	6220-12-121-7310	2	2	2	2	2	2	2	2	2
22	HYL9619	RIM- BLACKOUT HEADLAMP	6220-66-026-3719	2	2	2	2	2	2	2	2	2
23	NSS											
24	NSS											
25	BFS221	GLOBE-12V, 18W	6240-66-028-3519	2	2	2	2	2	2	2	2	2
26	NSS											
27	NSS											
28	NSS											
29	AYG9761	CABLE- REDUCED HEADLAMP		2	2	2	2	2	2	2	2	2
30	MYH3345	GROMMET	5325-66-128-4578	2	2	2	2	2	2	2	2	2
31	NSS											
32	NSS											
33	NSS											
34	NSS											
35	AYG9726	LAMP-BLACKOUT-FRONT (INCL. ITEMS 36, 37, 40)		2	2	2	2	2	2	2	2	2
36	NSS											
37	NSS											
38	NY808011	NUT-NYLOC	5310-66-128-4579	2	2	2	2	2	2	2	2	2
39	WA105001L	WASHER	5310-99-122-3032	2	2	2	2	2	2	2	2	2
40	NSS	USE QJF/3/5										

CHANGE POINT

ARN INTRODUCTION

GROUP QJG



REAR NUMBER PLATE, CONVOY AND BLACKOUT LAMPS

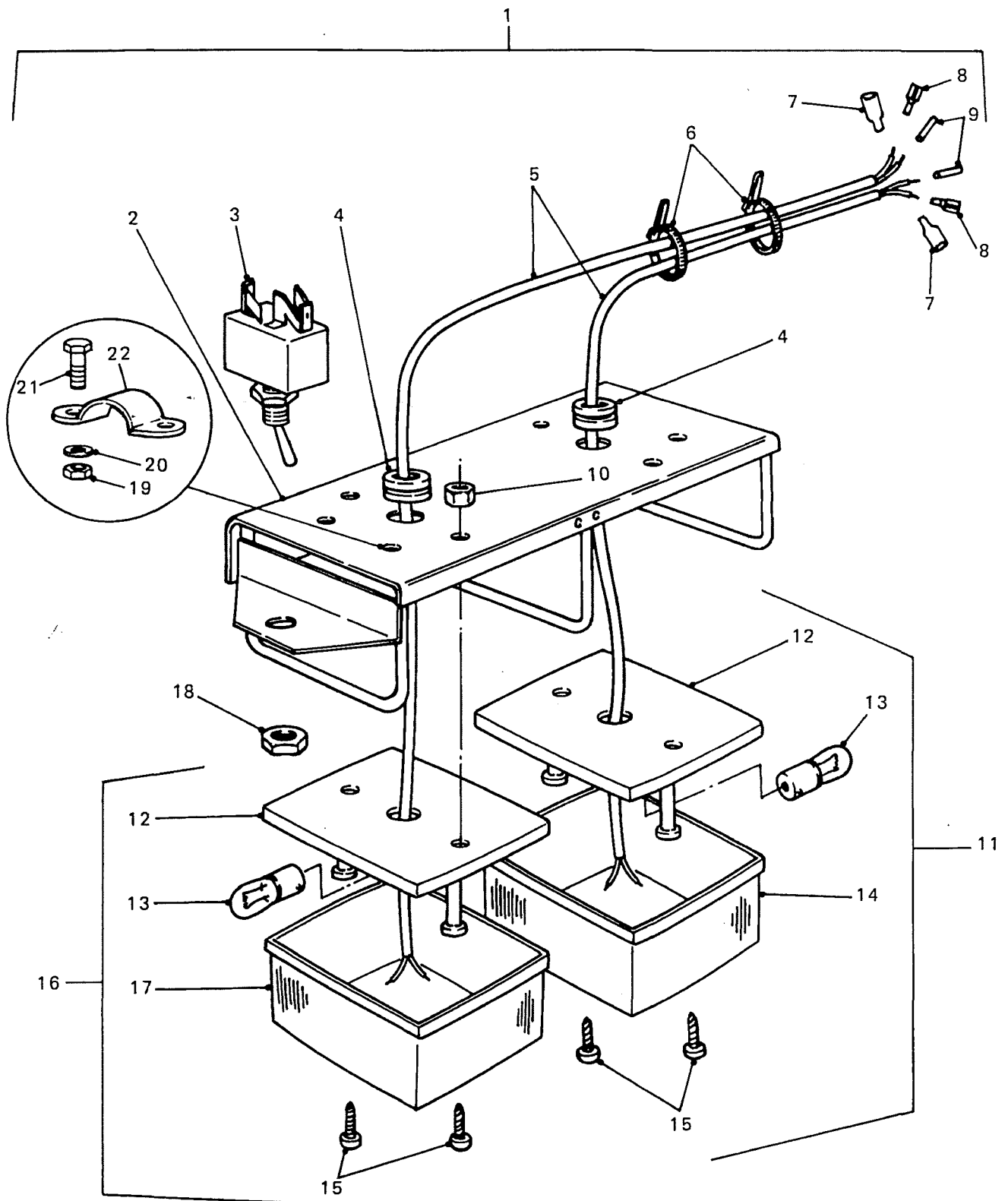
PERENTIE LAND ROVER PARTS LIST

ITEM	PART NO.	DESCRIPTION	NSN	DERIVATIVE CODE								CP
				2188	2189	2190	2191	2192	2194	2195	2207	
1	PRC7255	LAMP-N.PLATE (INCLUDES ITEMS 2-11)		1	1	1	1	1	1	1	1	1
2	NH105041L	NUT	5310-66-098-4400	2	2	2	2	2	2	2	2	2
3	WL105001L	WASHER-LOCK	5310-99-977-1102	2	2	2	2	2	2	2	2	2
4	WA105001L	WASHER-PLAIN	5310-99-122-3032	6	6	6	6	6	6	6	6	6
5	NSS											
6	NSS											
7	RTC5029	LENS	6220-99-201-9094	1	1	1	1	1	1	1	1	1
8	R575312	GLOBE-12V,4W		2	2	2	2	2	2	2	2	2
9	NSS											
10	NSS											
11	FS105101	SCREW	5305-99-122-5355	2	2	2	2	2	2	2	2	2
12	AYG9596	LAMP-CONVOY	6220-66-128-4242	1	1	1	1	1	1	1	1	1
13	NSS											
14	NSS											
15	NSS											
16	NSS											
17	NSS											
18	NSS											
19	MYH3264	GLOBE	6240-66-030-7433	1	1	1	1	1	1	1	1	1
20	AYG9727	LAMP-BLACKOUT-REAR (INCLUDES ITEMS 21-24)	6220-01-088-5915	2	2	2	2	2	2	2	2	2
21	NSS											
22	NSS											
23	NSS											
24	NSS											
25	NY808011	NUT-NYLOC	5310-66-128-4580	4	4	4	4	4	4	4	4	4

CHANGE POINT

ARN INTRODUCTION

GROUP QJH/1



**INTERIOR LAMP ASSEMBLY
- SOFT TOP FFR ONLY**

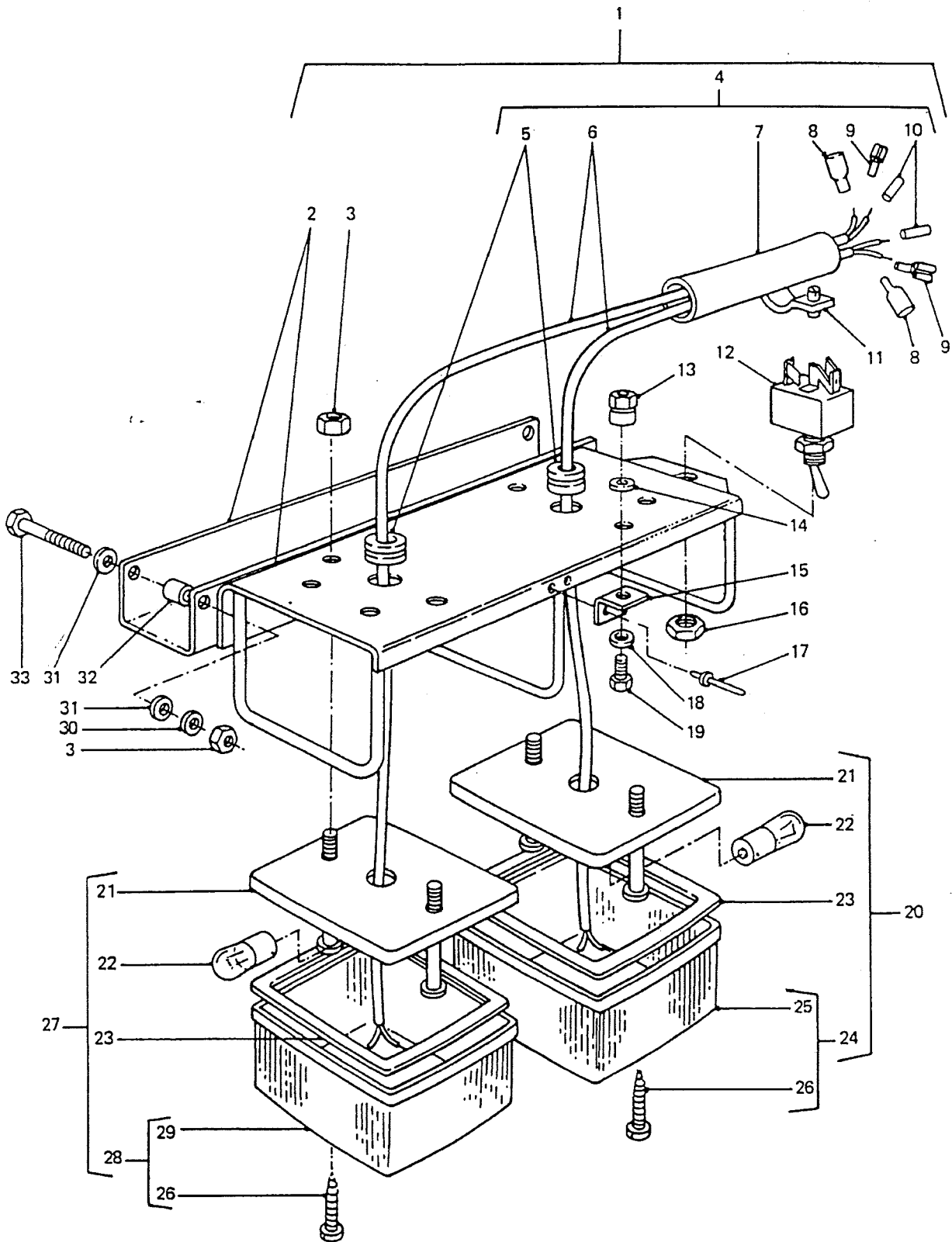
PERENTIE LAND ROVER PARTS LIST

ITEM	PART NO.	DESCRIPTION	NSN	DERIVATIVE CODE								
				2188	2189	2190	2191	2192	2194	2195	2207	CP
1	AYG9803	LAMP ASSY-INTERIOR (INCLUDES ITEMS 2-9,11-18)	6240-66-128-8468			1	1					
2	NSS											
3	AYG9800	SWITCH LAMP	5930-66-128-5304			1	1					
4	NSS											
5	AYG9925	HARNESS-FFR LAMP	6150-66-128-5325			1	1					
6	MYH1940	CABLE TIE	5340-99-618-3776			2	2					
7	NSS		5975-66-065-2592									
8	NSS		5940-66-128-5307									
9	MYH2565	TERMINAL-UTILUX	5940-66-128-4737			2	2					
10	NY106041L	NUT-NYLOC	5310-99-138-8423			2	2					
11	AYG9791	LAMP ASSY-CLEAR	6220-66-128-5056			1	1					
12	NSS											
13	HYL8585	BULB	6240-00-295-2668			2	2					
14	HYL8646	LENS-CLEAR	6220-66-128-5058			1	1					
15	HYL9820	SCREW	5305-66-128-5338			2	2					
16	AYG9792	LENS ASSY-RED	6220-66-128-5055			1	1					
17	HYL8647	LENS-RED	6220-66-128-5057			1	1					
18	NSS											
19	NH105041L	NUT	5310-66-098-4400			4	4					
20	WL105001L	WASHER-LOCK	5310-99-977-1102			4	4					
21	SH105121L	SCREW	5305-99-122-8664			4	4					
22	MYH3329	CLIP				2	2					
	HYL8648	GASKET-LENS				2	2					
	AB608047	SCREW-CLIP TO HOODSTICK				1	1					

CHANGE POINT

ARN INTRODUCTION

GROUP QJH/2

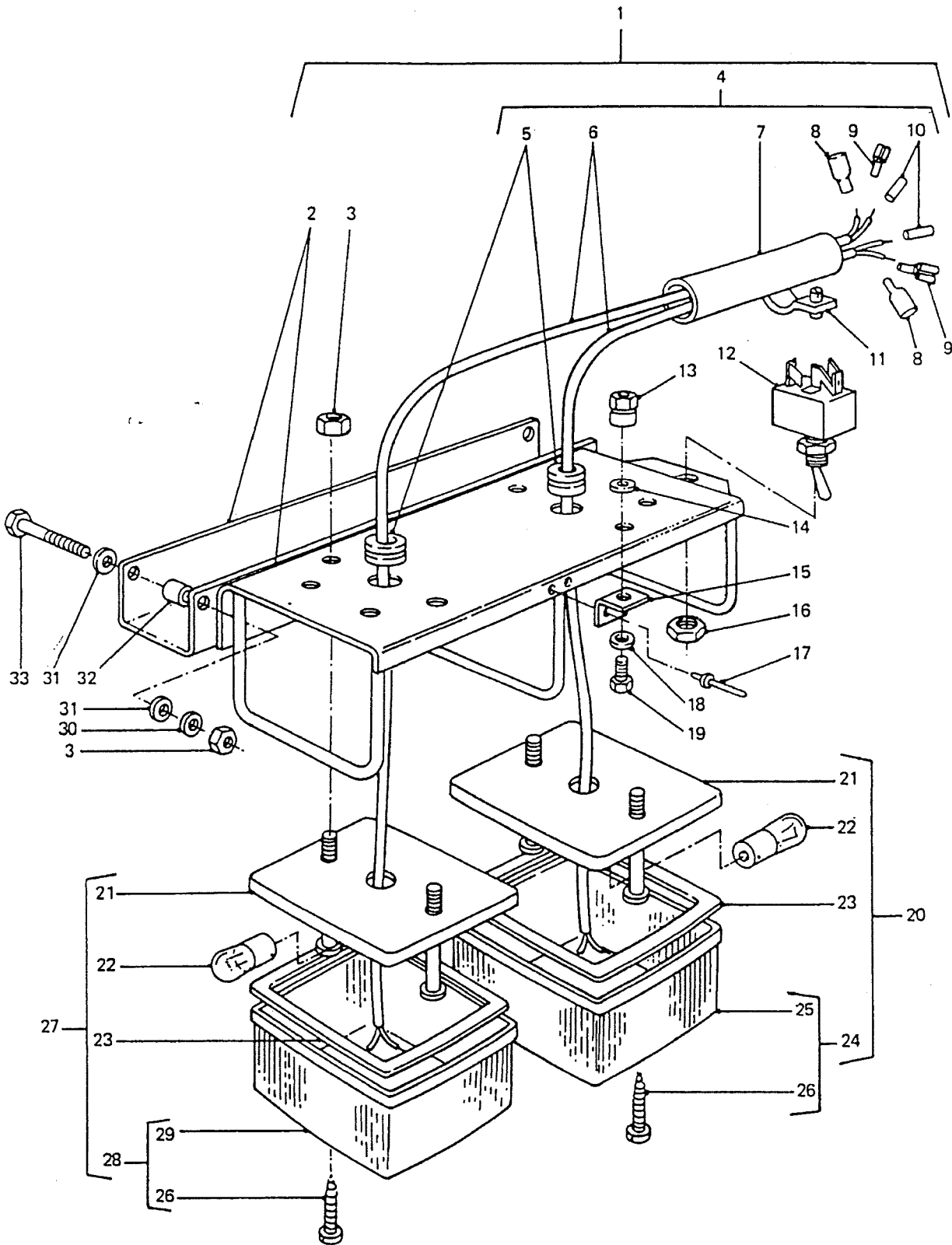


**INTERIOR LAMP ASSEMBLY
- HARD TOP SURVEY FFR ONLY**

PERENTIE LAND ROVER PARTS LIST

ITEM	PART NO.	DESCRIPTION	NSN	DERIVATIVE CODE							CP
				2188	2189	2190	2191	2192	2194	2195	
1	AYG9803	LAMP ASSY-INTERIOR (INCLUDES ITEMS 2-4,12,16,20,27)	6240-66-128-8468							1	
2	NSS										
3	NY106041L	NUT-NYLOC	5310-99-138-8423							6	
4	AYG9925	HARNESS-FFR LAMP	6150-66-128-5325							1	
5	NSS										
6	NSS										
7	NSS										
8	NSS		5975-66-065-2592								
9	NSS										
10	MYH2565	TERMINAL-UTILUX	5940-66-128-4737							2	
11	MYH3280	CLIP	5340-66-128-4596							6	
12	AYG9800	SWITCH-LAMP	5930-66-128-4304							1	
13	NN106021	NUTSERT	5310-99-138-4838							1	
14	R302373	WASHER								1	
15	HYG2665	STEADY-LAMP								1	
16	NSS										
17	RA610166L	POP RIVET								2	
18	WL106001L	WASHER-LOCK	5310-99-137-9232							1	
19	FS106201	SCREW	5305-99-122-5361							1	
20	AYG9791	LAMP ASSY-CLEAR	6220-66-128-5056							1	
21	NSS										
22	HYL8585	BULB	6240-00-295-2668							2	
23	HYL8648	GASKET-LENS								2	
24	HYL8646	LENS-CLEAR	6220-66-128-5058							1	
25	NSS										
26	HYL9820	SCREW	5305-66-128-5338							2	
27	AYG9792	LAMP ASSY-RED	6220-66-128-5055							1	
28	HYL8647	LENS-RED	6220-66-128-5057							1	

GROUP QJH/2



**INTERIOR LAMP ASSEMBLY
- HARD TOP SURVEY FFR ONLY**

PERENTIE LAND ROVER PARTS LIST

QJH/2/1

INTERIOR LAMP ASSEMBLY - HARD TOP SURVEY FFR ONLY

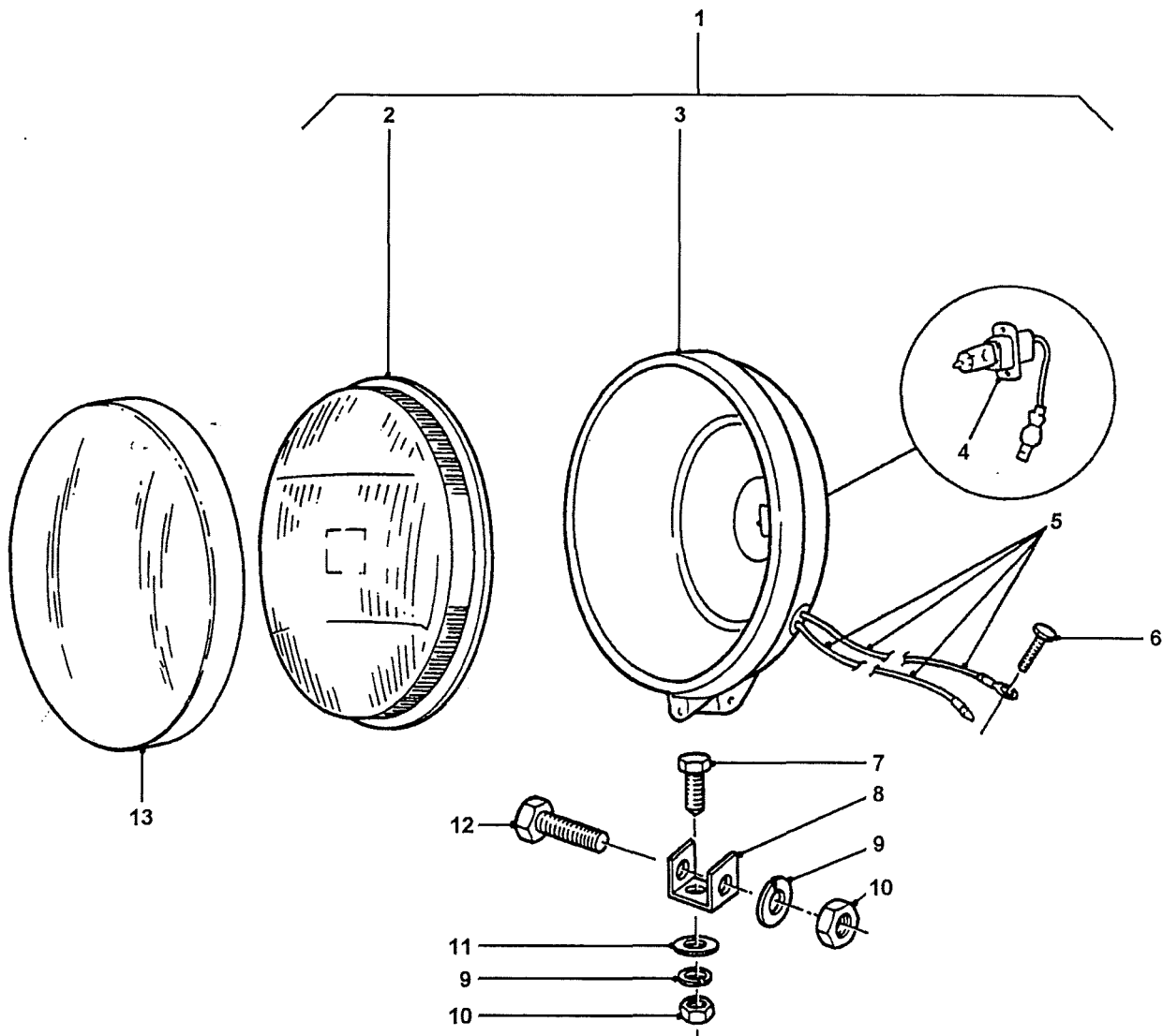
DERIVATIVE CODE

<u>ITEM</u>	<u>PART NO.</u>	<u>DESCRIPTION</u>	<u>NSN</u>	<u>2188</u>	<u>2189</u>	<u>2190</u>	<u>2191</u>	<u>2192</u>	<u>2194</u>	<u>2195</u>	<u>2207</u>	<u>CP</u>
29	NSS											
30	WL106001L	WASHER-LOCK	5310-99-137-9232							2		
31	WC106041L	WASHER-PLAIN	5310-99-122-3411							4		
32	MYH3393	SPACER								2		
33	BH106131L	BOLT								2		

CHANGE POINT

ARN INTRODUCTION

GROUP QJJ



**DRIVING LAMPS
- RFSV ONLY**

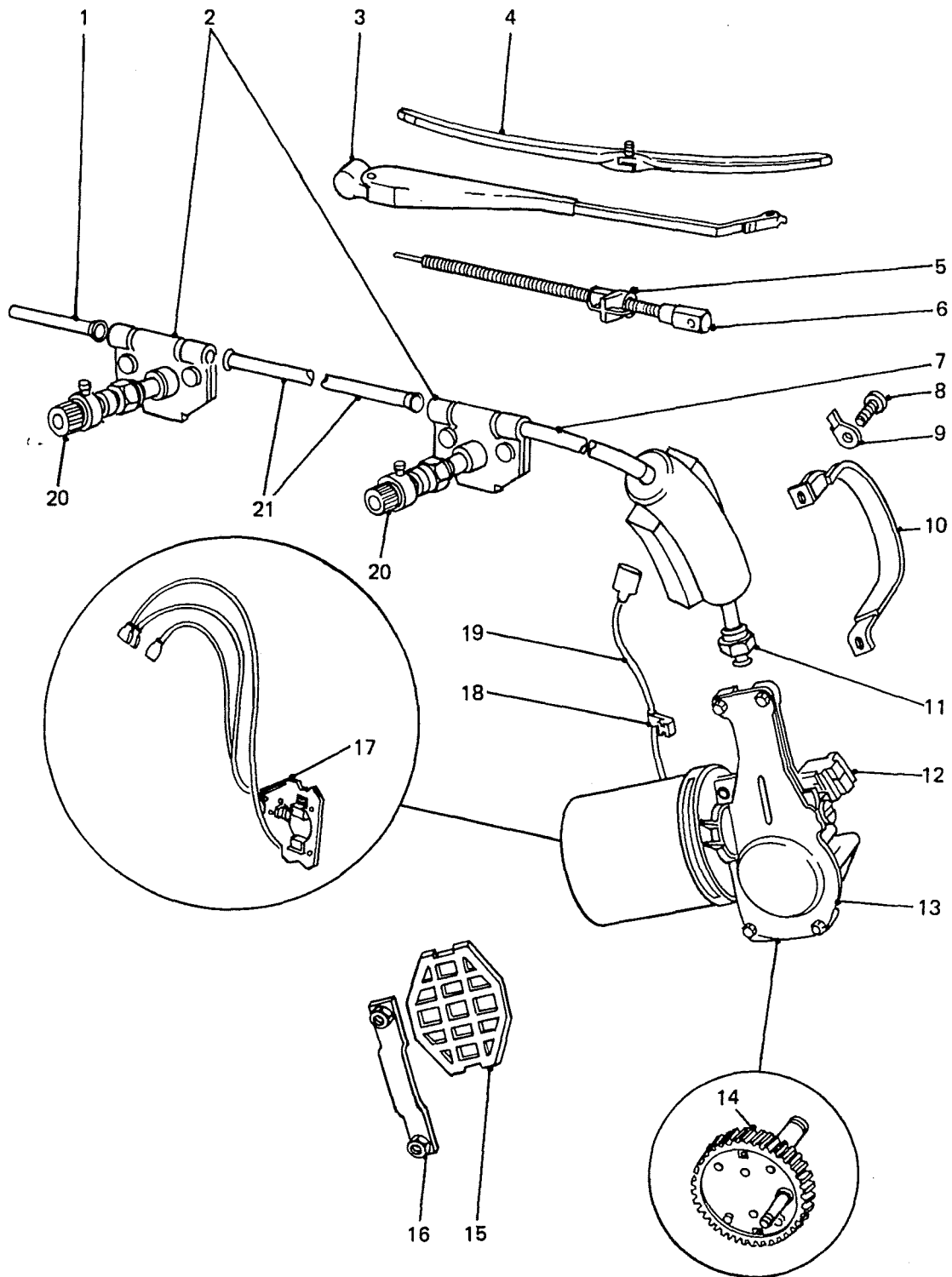
PERENTIE LAND ROVER PARTS LIST

ITEM	PART NO.	DESCRIPTION	NSN	DERIVATIVE CODE							CP
				2188	2189	2190	2191	2192	2194	2195	
1	BYG9359	DRIVING LAMP ASSY-COMplete-SEALED									2
	BYG9277	HARNESS-INTERNAL -DRIVING LAMP									2
1	BYG9278	LAMP-DRIVING	6220-66-128-6191								2
	MM105301	RIVNUT-LAMP BODY									2
2	HYM460	LENS/REFLECTOR	6220-66-128-6189								1
3	NSS										
4	HYM459	BULB-H3-100W	6240-66-133-6075								1
5	NSS										
6	MYH3337	SCREW	5305-66-128-5341								2
7	FS108301	SCREW									1
8	NSS										
9	WL108001L	WASHER-LOCK	5310-99-137-9231								2
10	NT108041L	NUT	5310-66-098-4402								2
11	WJ108001	WASHER-PLAIN	5310-12-154-2190								1
12	SH108401L	SCREW	5306-66-097-0722								1
13	BYG9279	COVER-DRIVING LAMP	6220-66-128-6190								1
	HYG5970	STRAP-LIGHT TO BRUSHGUARD									2
	SH105161	SCREW									2
	WA105001L	WASHER-PLAIN									2
	WL105001L	WASHER-LOCK	5310-99-977-1102								2
	SH105161	SCREW-STRAP TO BRUSHGUARD									2
	WA105001L	WASHER-PLAIN									4
	NY105041L	NUT									2

CHANGE POINT

ARN INTRODUCTION

GROUP QKA



WINDSCREEN WIPER MOTOR AND LINKAGE

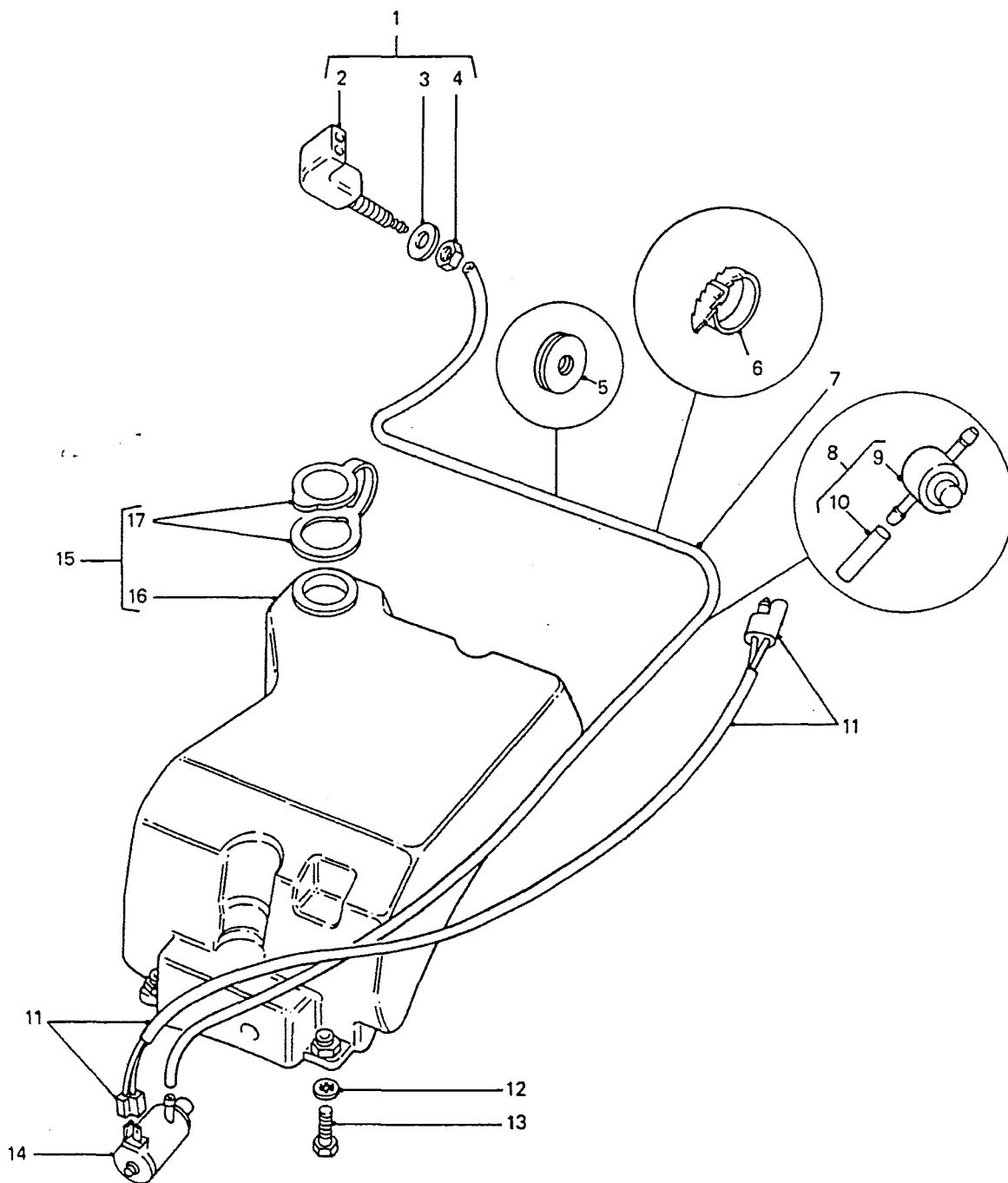
PERENTIE LAND ROVER PARTS LIST

ITEM	PART NO.	DESCRIPTION	NSN	DERIVATIVE CODE								
				2188	2189	2190	2191	2192	2194	2195	2207	CP
1	R575047	TUBE-WIPER	2540-66-090-1027	1	1	1	1	1	1	1	1	1
2	PRC8495	WHEEL BOX	2540-99-495-7006	2	2	2	2	2	2	2	2	2
3	PRC4276	WIPER ARM	2540-99-839-5405	2	2	2	2	2	2	2	2	2
4	PRC8559	WIPER BLADE		2	2	2	2	2	2	2	2	2
5	37H3694L	FERRULE		1	1	1	1	1	1	1	1	1
6	RTC4682	RACK-WIPER	2540-66-128-4976	1	1	1	1	1	1	1	1	1
7	PRC3671	TUBE	2540-99-720-8160	1	1	1	1	1	1	1	1	1
8	SE106161L	SCREW	5305-99-135-0440	2	2	2	2	2	2	2	2	2
9	R505205	TERMINAL-LUCAR	5940-99-805-0400	1	1	1	1	1	1	1	1	1
10	BHA4790L	STRAP	2540-99-824-3663	1	1	1	1	1	1	1	1	1
11	NSS											
12	R520160	SWITCH UNIT (PART OF RTC4678)	2540-99-821-9330	1	1	1	1	1	1	1	1	1
13	RTC4678	MOTOR-WIPER	2540-99-733-8614	1	1	1	1	1	1	1	1	1
14	R517646	GEAR-WIPER MOTOR (PART OF RTC4678)		1	1	1	1	1	1	1	1	1
15	R150844	PAD	5340-99-819-8231	1	1	1	1	1	1	1	1	1
16	MTC2607	NUT PLATE	2540-99-721-4437	1	1	1	1	1	1	1	1	1
17	RTC5575	BRUSH SET-WIPER MOTOR	5977-66-128-4891	1	1	1	1	1	1	1	1	1
18	R570351	CLIP-CABLE	5340-99-825-6424	1	1	1	1	1	1	1	1	1
19	NSS											
20	NSS		2540-99-810-9630									
21	AAU1909	TUBE-WIPER	2540-99-825-6564	1	1	1	1	1	1	1	1	1

CHANGE POINT

ARN INTRODUCTION

GROUP QKB



WINDSCREEN WASHER

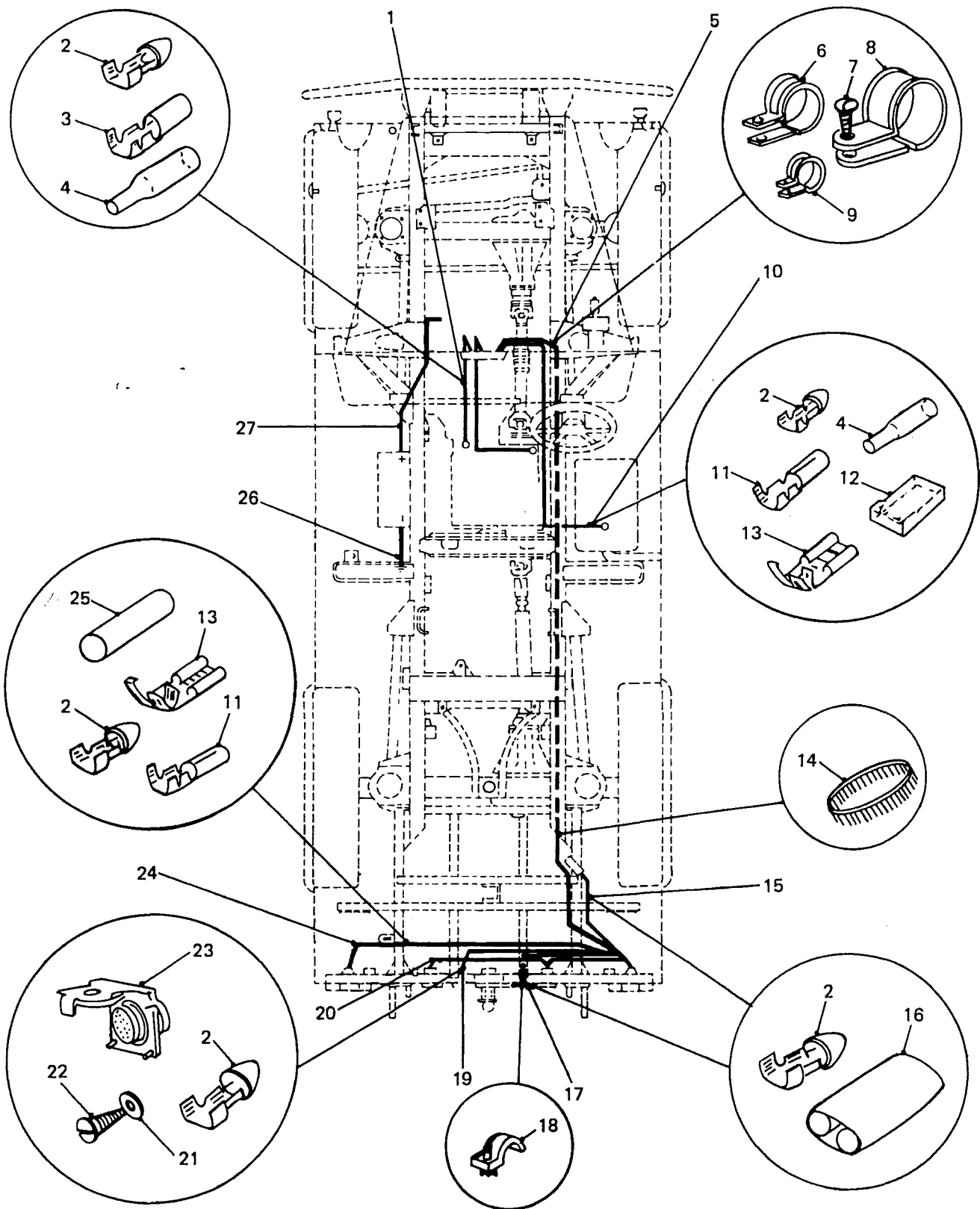
PERENTIE LAND ROVER PARTS LIST

ITEM	PART NO.	DESCRIPTION	NSN	DERIVATIVE CODE								
				2188	2189	2190	2191	2192	2194	2195	2207	CP
1	PRC5736	JET ASSEMBLY (INCLUDES ITEMS 2-4)	2540-66-128-4974	1	1	1	1	1	1	1	1	1
2	NSS											
3	NSS											
4	NSS											
14	GWW1010	PUMP-WASHER	2540-66-128-4975	1	1	1	1	1	1	1	1	1
5	R269257	GROMMET	5325-99-828-1011	1	1	1	1	1	1	1	1	1
6	R240429	CLIP	5340-99-896-0609	2	2	2	2	2	2	2	2	2
7	PRC5754	TUBE-SCREENWASH		1	1	1	1	1	1	1	1	1
8	PRC8051	VALVE-NON RETURN (INCLUDES ITEMS 9-10)		1	1	1	1	1	1	1	1	1
9	NSS											
10	NSS											
11	PRC3794	HARNESS		1	1	1	1	1	1	1	1	1
12	WF600041L	WASHER-LOCK	5310-66-016-5982	3	3	3	3	3	3	3	3	3
13	R78210	SCREW	5305-99-849-8616	3	3	3	3	3	3	3	3	3
	RTC5827	GROMMET-PUMP TO RESERVOIR		1	1	1	1	1	1	1	1	1
15	PRC5756	RESERVOIR-WINDSHIELD WASHER (INCL ITEMS 16-17)	2540-66-128-4977	1	1	1	1	1	1	1	1	1
16	NSS											
17	PRC2854	CAP-RESERVOIR	2540-99-729-2983	1	1	1	1	1	1	1	1	1

CHANGE POINT

ARN INTRODUCTION

GROUP QL/1

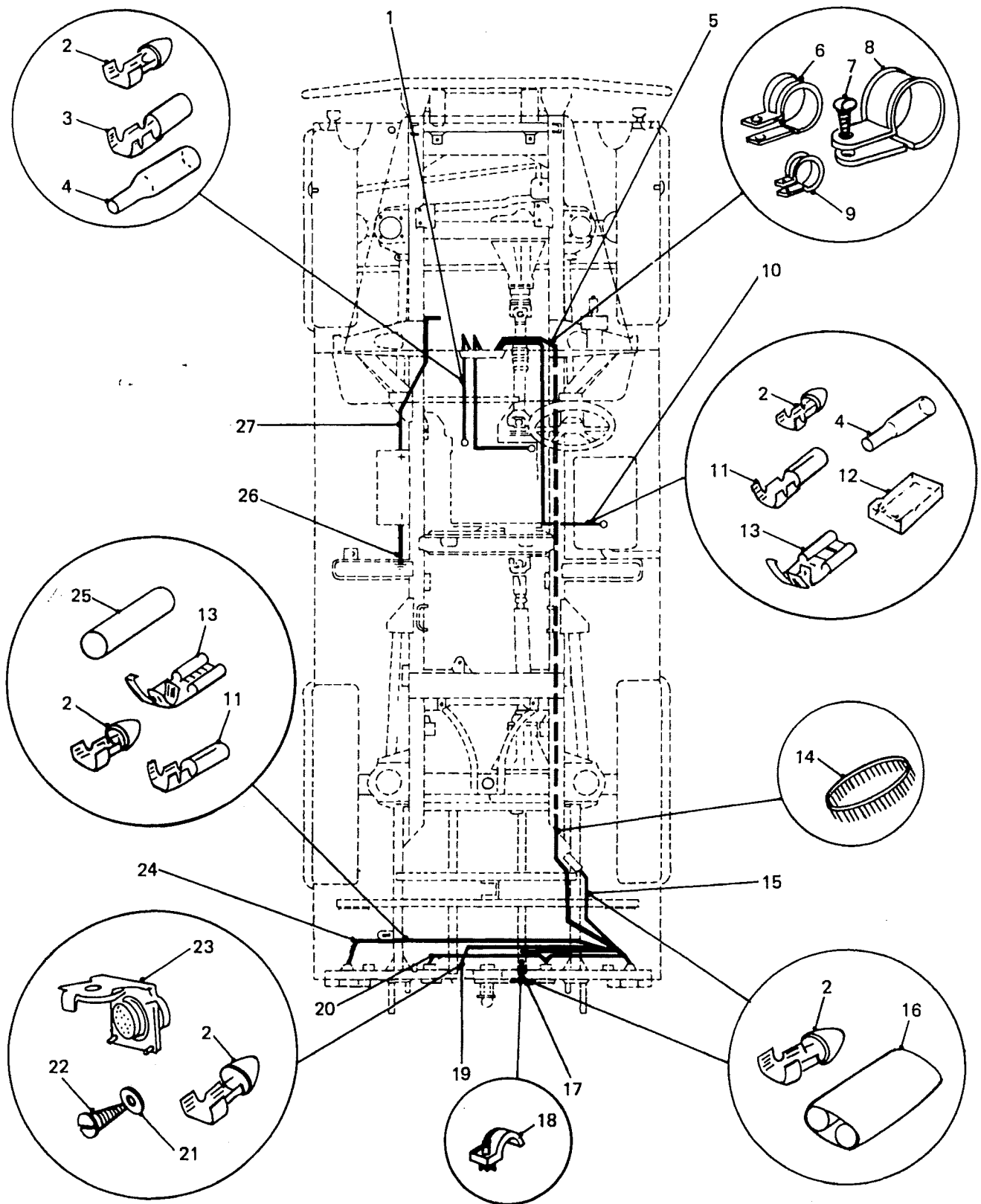


REAR WIRING HARNESSES AND FITTINGS

PERENTIE LAND ROVER PARTS LIST

ITEM	PART NO.	DESCRIPTION	NSN	DERIVATIVE CODE								
				2188	2189	2190	2191	2192	2194	2195	2207	CP
1	PRC2032	CABLE-REVERSE LIGHT SWITCH		1	1	1	1		1	1		
2	MYH2565	TERMINAL-UTILUX	5940-66-128-4737	22	22	22	22		22	22		
3	NSS											
4	NSS											
5	AYG9928	HARNESS-CHASSIS		1	1	1	1		1	1		
5	BYG9071	HARNESS-CHASSIS		1	1	1	1					01
6	MYH2697	CLIP	5340-66-128-4546	3	3	3	3		3	3		
7	MYH3337	SCREW	5305-66-128-5341	3	3	3	3		3	3		
8	R622324	CLIP	5340-66-106-1527	3	3	3	3		3	3		
9	BAU1689	CLIP	5340-99-881-9938	1	1	1	1		1	1		
10	BYG9184	HARNESS-FUEL TANK		1	1	1	1					
10	AYG9771	HARNESS-FUEL TANK							1	1		
11	NSS		5940-66-128-4714									
12	AYG9120	INSULATOR		1	1	1	1		1	1		
13	AYK9152	TERMINAL	5940-66-119-8561	5	5	5	5		5	5		
14	MYH1687/300	GROMMET-FLEXIFORM		1	1	1	1		1	1		
15	AYG9577	CABLE-CONVOY LAMP		1	1	1	1		1	1		
16	AYH9037	CONNECTOR-DOUBLE	5940-66-036-8141	1	1	1	1		1	1		
17	AYG9742	HARNESS-NUMBER PLATE LAMP	6150-66-128-4978	1	1	1	1		1	1		
17	BYG9237	HARNESS-NUMBER PLATE LAMP		1	1	1	1					02
17	MYH1780	CONNECTOR-NUMBER PLATE LAMP HARNESS	5940-66-017-9989	2	2	2	2					02
18	MYH3280	CLIP	5340-66-128-4596	3	3	3	3		3	3		
19	AYG9743	CABLE-NATO PLUG		1	1	1	1		1	1		
20	AYG9741	CABLE-EXTENSION -BLACKOUT LIGHT-STOP LAMP		4	4	4	4		4	4		

GROUP QL/1



REAR WIRING HARNESSES AND FITTINGS

PERENTIE LAND ROVER PARTS LIST

<u>ITEM</u>	<u>QL /1/1</u> <u>PART NO.</u>	<u>REAR WIRING HARNESSSES AND FITTINGS</u> <u>DESCRIPTION</u>	<u>NSN</u>	<u>DERIVATIVE CODE</u>							
				<u>2188</u>	<u>2189</u>	<u>2190</u>	<u>2191</u>	<u>2192</u>	<u>2194</u>	<u>2195</u>	<u>2207</u>
21	WL106001L	WASHER-LOCK	5310-99-137-9232	4	4	4	4		4	4	
22	MYH3122	SCREW	5305-66-128-4597	4	4	4	4		4	4	
23	HYG582	NATO SOCKET	5935-66-010-7853	1	1	1	1		1	1	
24	AYG9584	CABLE-REAR LAMPS		1	1	1	1		1	1	
25	MYH1780	CONNECTOR	5940-66-017-9989	1	1	1	1		1	1	
26	AYG9715	CABLE-BATTERY -NEGATIVE	6140-66-128-4808	1	1	1	1		1	1	
27	AYG9880	CABLE-BATTERY-POSITIVE	6140-66-128-4809	1	1	1	1		1	1	
	MYH1763	CABLE TIE-HARNESSSES	5975-12-199-8964	1	1	1	1		1	1	
	AYG9740	CABLE-EXTENSION -BLACKOUT LIGHT-TAIL LAMP		2	2	2	2		2	2	

CHANGE POINT

ARN INTRODUCTION

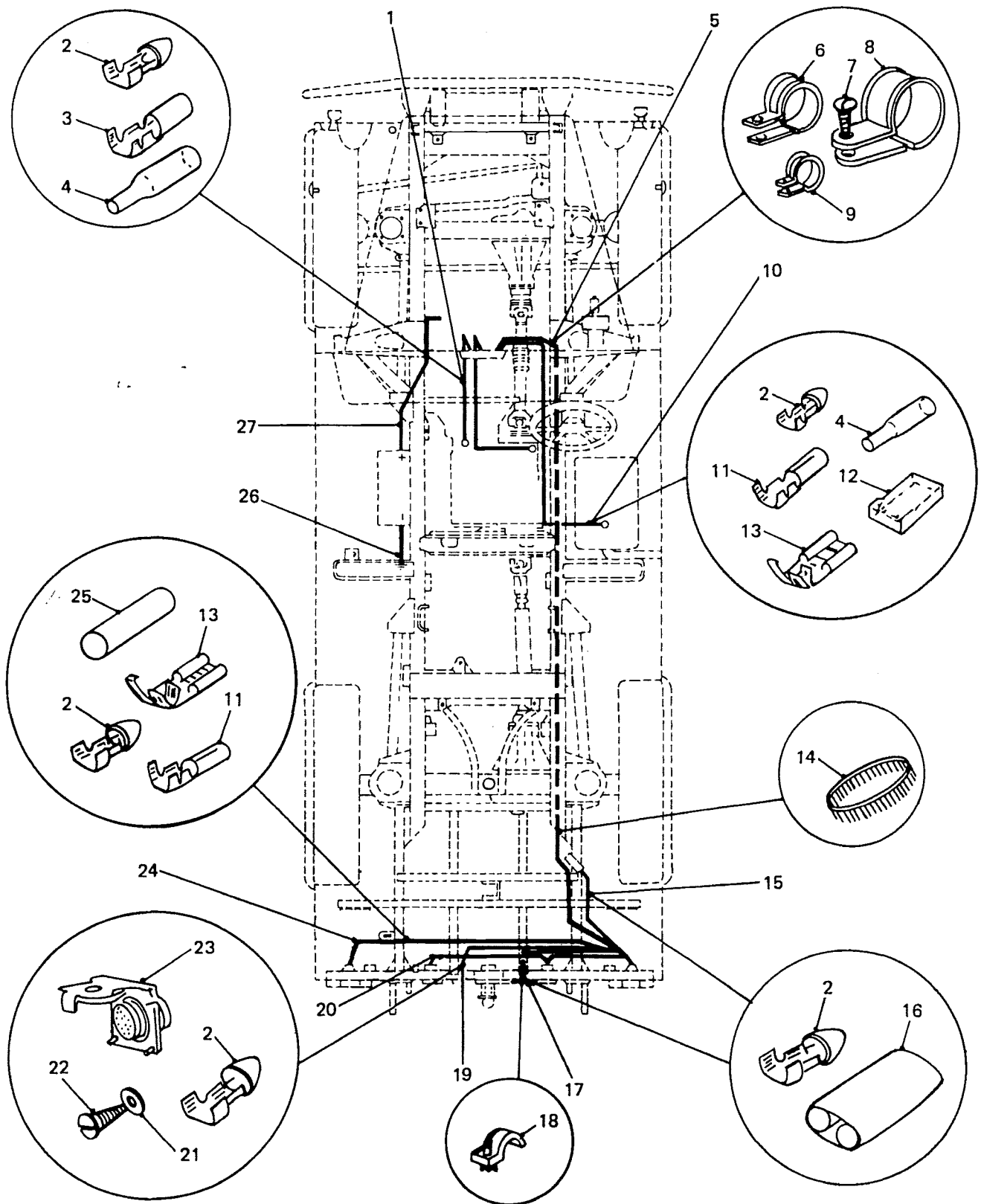
1

49-673 SOFT TOP F.F.R.

2

51-536 SOFT TOP F.F.R.

GROUP QL/2

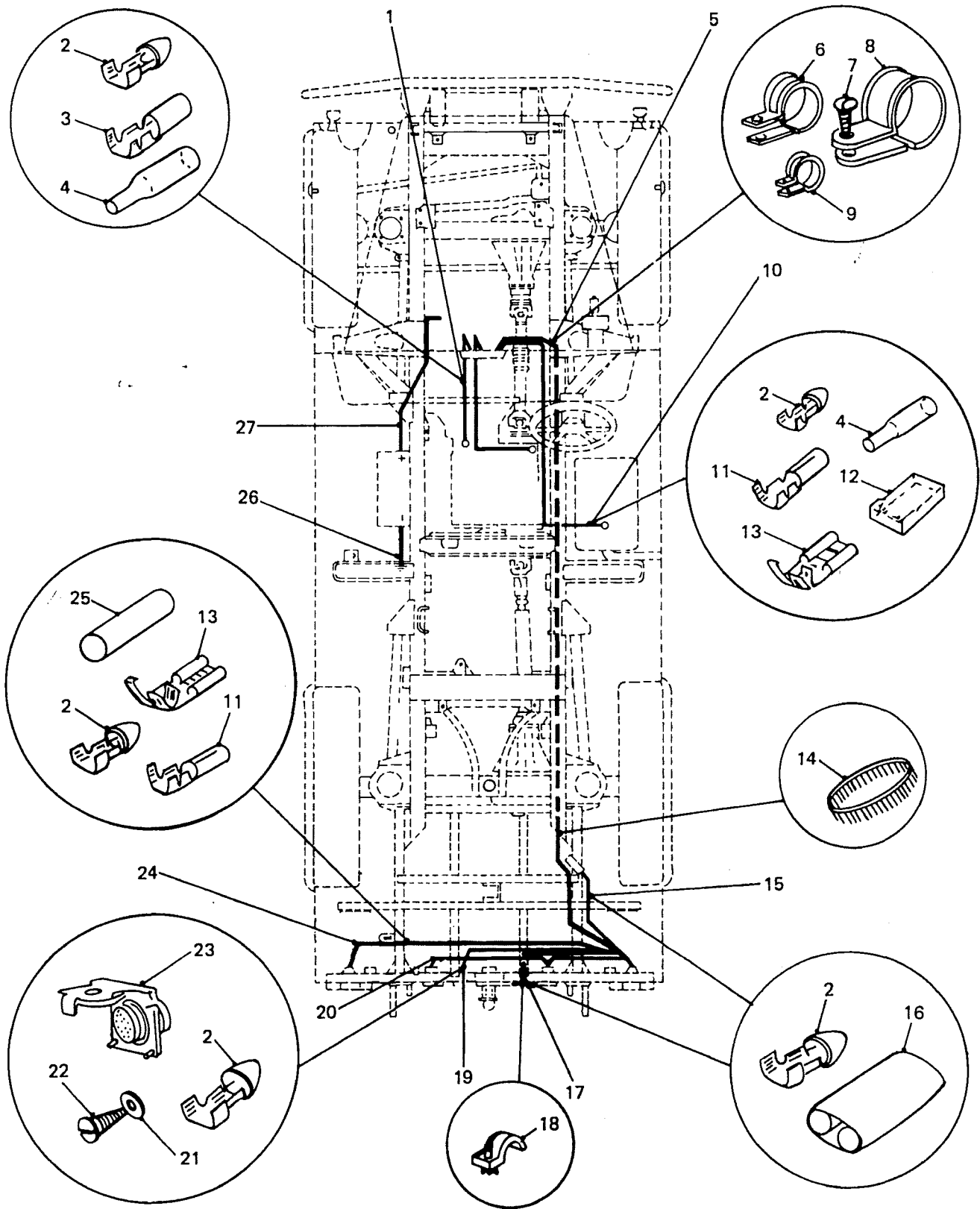


REAR WIRING HARNESSES AND FITTINGS - HARD TOP SURVEY ONLY

PERENTIE LAND ROVER PARTS LIST

ITEM	PART NO.	DESCRIPTION	NSN	DERIVATIVE CODE							CP	
				2188	2189	2190	2191	2192	2194	2195		2207
1	PRC2032	CABLE-REVERSE LAMP SWITCH										1
2	PRC7017	CABLE ASSY-CHASSIS										1
3	MYH2697	CLIP	5340-66-128-4546									3
4	MYH3337	SCREW	5305-66-128-5341									3
5	R622324	CLIP	5340-66-106-1527									3
6	BAU1689	CLIP	5340-99-881-9938									1
7	AYG9771	HARNESS-FUEL TANK										1
8	NSS											
9	MYH2565	TERMINAL-UTILUX	5940-66-128-4737									26
10	NSS											
11	NSS											
12	NSS											
13	NSS											
14	MYH1687/300	GROMMET-FLEXIFORM										1
15	AYG9577	CABLE-CONVOY LAMP										1
16	NSS											
17	AYG9742	HARNESS-NUMBER PLATE LAMP	6150-66-128-4978									1
18	AYG9743	CABLE-NATO PLUG										1
19	AYG9741	CABLE-EXTENSION -BLACKOUT LIGHT-STOP LAMP										4
20	WL106001L	WASHER-LOCK	5310-99-137-9232									4
21	MYH3122	SCREW	5305-66-128-4597									4
22	HYG582	NATO SOCKET	5935-66-010-7853									1
23	AYG9584	CABLE-REAR LAMPS										1
24	MYH1780	CONNECTOR	5940-66-017-9989									1
25	AYG9828	CABLE-AIR BLOWER TO DISTRIBUTER BOX										1

GROUP QL/2



REAR WIRING HARNESSES AND FITTINGS - HARD TOP SURVEY ONLY

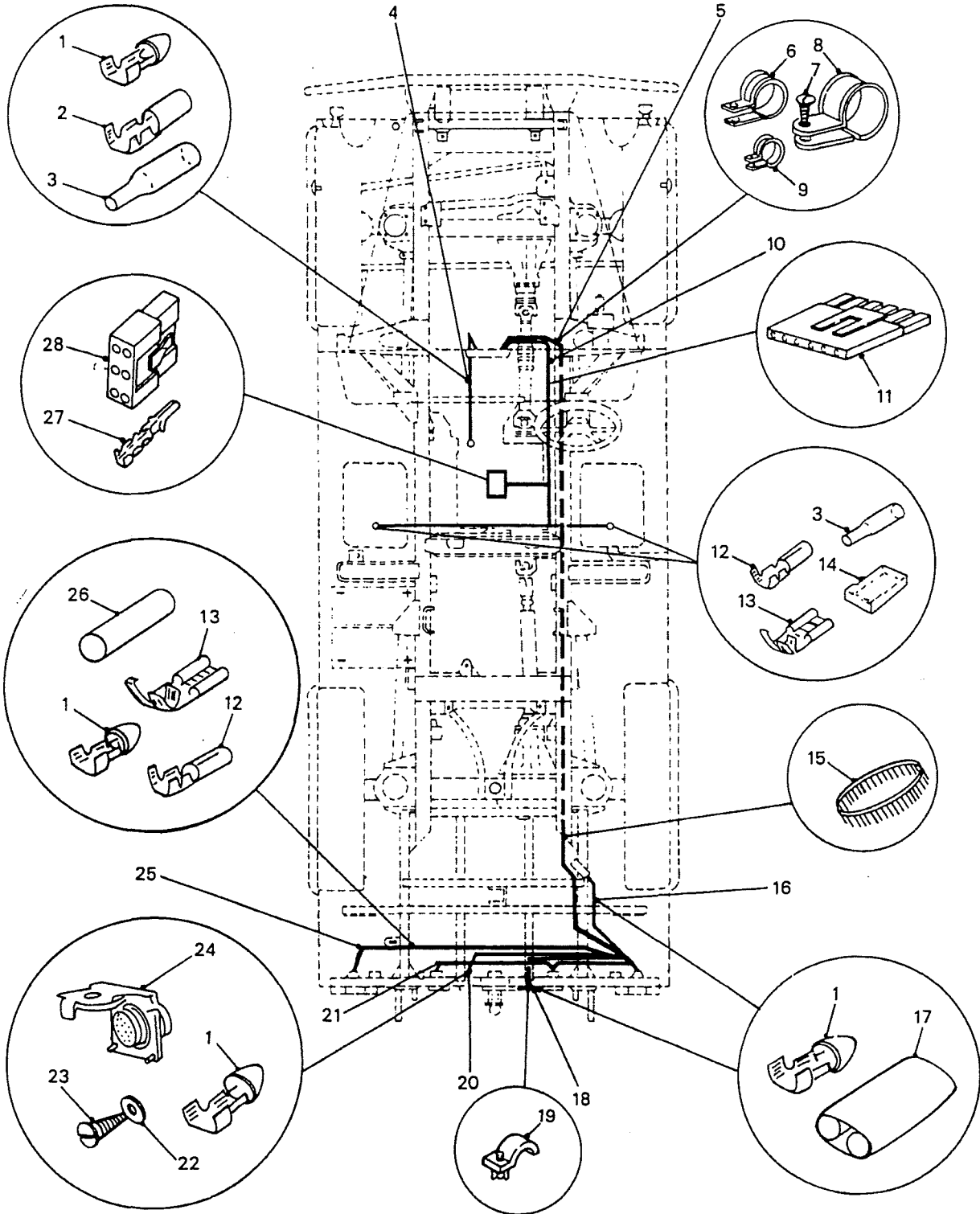
PERENTIE LAND ROVER PARTS LIST

<u>ITEM</u>	<u>PART NO.</u>	<u>DESCRIPTION</u>	<u>NSN</u>	<u>DERIVATIVE CODE</u>							<u>CP</u>	
				<u>2188</u>	<u>2189</u>	<u>2190</u>	<u>2191</u>	<u>2192</u>	<u>2194</u>	<u>2195</u>		<u>2207</u>
26	AYG9715	CABLE-BATTERY -NEGATIVE	6140-66-128-4808									1
27	AYG9880	CABLE-BATTERY-POSITIVE	6140-66-128-4809									1
28	NSS											
29	NSS											
	AYG9740	CABLE-EXTENSION -BLACKOUT LIGHT-TAIL LAMP										2

CHANGE POINT

ARN INTRODUCTION

GROUP QL/3 SHEET 1



REAR WIRING HARNESSES AND FITTINGS - RFSV ONLY

PERENTIE LAND ROVER PARTS LIST

ITEM	PART NO.	DESCRIPTION	NSN	DERIVATIVE CODE							CP
				2188	2189	2190	2191	2192	2194	2195	
1	MYH2565	TERMINAL-UTILUX	5940-66-128-4737								20
2	NSS										
3	NSS										
4	PRC2032	CABLE-REVERSE LIGHT									1
5	BYG9071	HARNESS-CHASSIS									1
6	MYH2697	CLIP	5340-66-128-4546								3
7	MYH3337	SCREW	5305-66-128-5341								3
8	R622324	CLIP	5340-66-106-1527								3
9	BAU1689	CLIP	5340-99-881-9938								1
10	AYG9962	HARNESS-FUEL-TANK									1
11	AYG9703	CONNECTOR (PART OF ITEM 10)									1
12	NSS										
13	NSS										
14	NSS										
15	MYH1687/300	GROMMET-FLEXIFORM									1
16	AYG9577	CABLE-CONVOY LAMP									1
17	NSS										
18	BYG9237	HARNESS-NUMBER PLATE LAMP									1 01
	MYH1780	CONNECTOR-NUMBER PLATE LAMP HARNESS	5940-66-017-9989								2 01
	AYG9742	HARNESS-NUMBER PLATE LAMP	6150-66-128-4978								1
19	MYH3280	CLIP	5340-66-128-4596								3
20	AYG9743	CABLE-NATO PLUG									1
21	AYG9741	CABLE-EXTENSION -BLACKOUT LIGHT-STOP LAMP									2

PERENTIE LAND ROVER PARTS LIST

<u>ITEM</u>	<u>QL /3/1</u> <u>PART NO.</u>	<u>REAR WIRING HARNESSSES AND FITTINGS - RFSV ONLY</u> <u>DESCRIPTION</u>	<u>NSN</u>	<u>DERIVATIVE CODE</u>							<u>CP</u>	
				<u>2188</u>	<u>2189</u>	<u>2190</u>	<u>2191</u>	<u>2192</u>	<u>2194</u>	<u>2195</u>		<u>2207</u>
22	WL106001L	WASHER-LOCK	5310-99-137-9232									4
23	MYH3122	SCREW	5305-66-128-4597									4
24	HYG582	NATO SOCKET	5935-66-010-7853									1
25	AYG9584	CABLE-REAR LAMPS										1
26	MYH1780	CONNECTOR	5940-66-017-9989									1
27	NSS											
28	NSS											

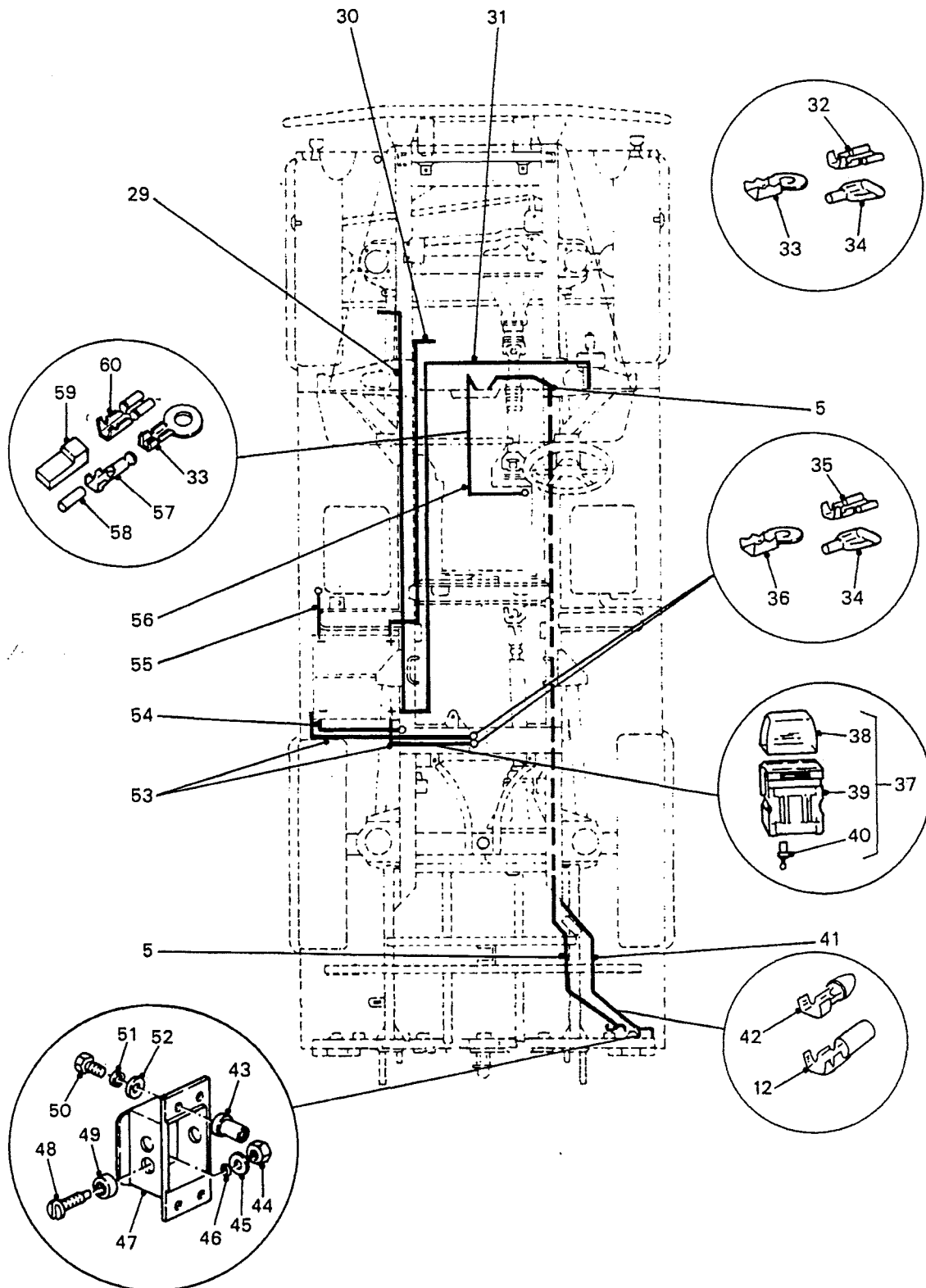
CHANGE POINT

1

ARN INTRODUCTION

VEHICLES BUILT AFTER APRIL 1991

GROUP QL/3 SHEET 2

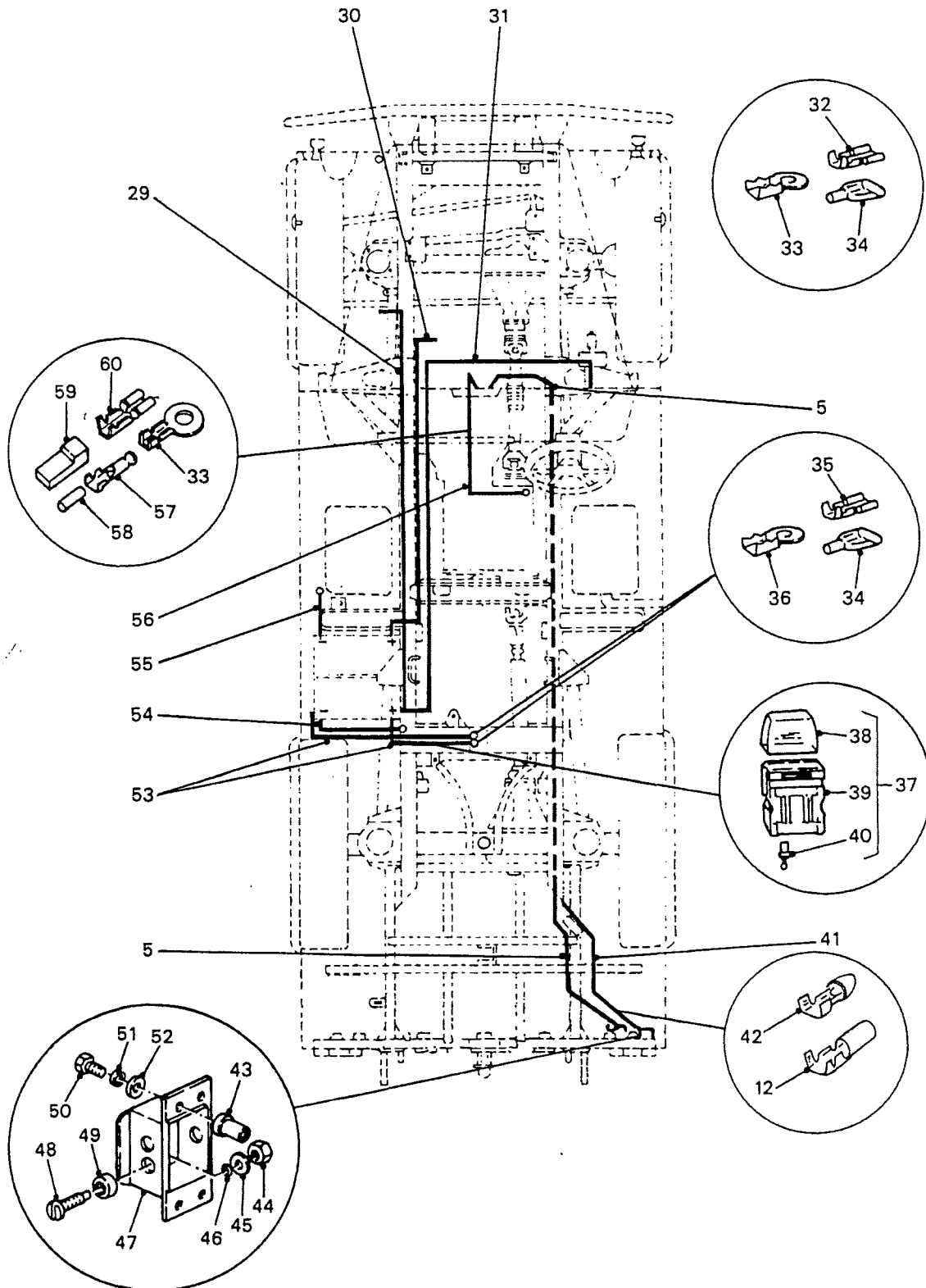


REAR WIRING HARNESSES AND FITTINGS - RFSV ONLY

PERENTIE LAND ROVER PARTS LIST

ITEM	PART NO.	DESCRIPTION	NSN	DERIVATIVE CODE							CP
				2188	2189	2190	2191	2192	2194	2195	
5		SEE QL/3/1									
12	NSS										
29	BYG9030	CABLE-BATTERY POSITIVE AUXILLARY BATTERY								1	
30	BYG9124	CABLE-BATTERY POSITIVE VEHICLE BATTERY								1	
31	BYG9109	CABLE-AUXILLARY BATTERY TO SWITCH								1	
32	NSS										
33	NSS										
34	H1135		5975-66-065-2592							3	
35	NSS										
36	NSS										
37	BYG9073	FUSEBOX-BLADE TYPE								1	
38	NSS										
39	NSS										
40	NSS										
41	BYG9187	CABLE-AUXILLARY INSPECTION SOCKET								1	
42	NSS										
43	MM105301	RIVNUT								4	
44	PRC2087	NUT-NYLON								2	
45	WF507L	WASHER								2	
46	MYH3548	'O' RING								2	
47	HYG5640	BLOCK-MOUNTING								1	
48	PRC2078	SOCKET-INSPECTION	5935-99-797-3844							2	
49	PRC2080	BUSH								1	
50	SE105161L	SCREW	5305-99-135-0430							4	
51	WL105001L	WASHER-LOCK	5310-99-977-1102							4	
52	WA108001L	WASHER-PLAIN	5310-99-122-3032							4	

GROUP QL/3 SHEET 2



REAR WIRING HARNESSES AND FITTINGS - RFSV ONLY

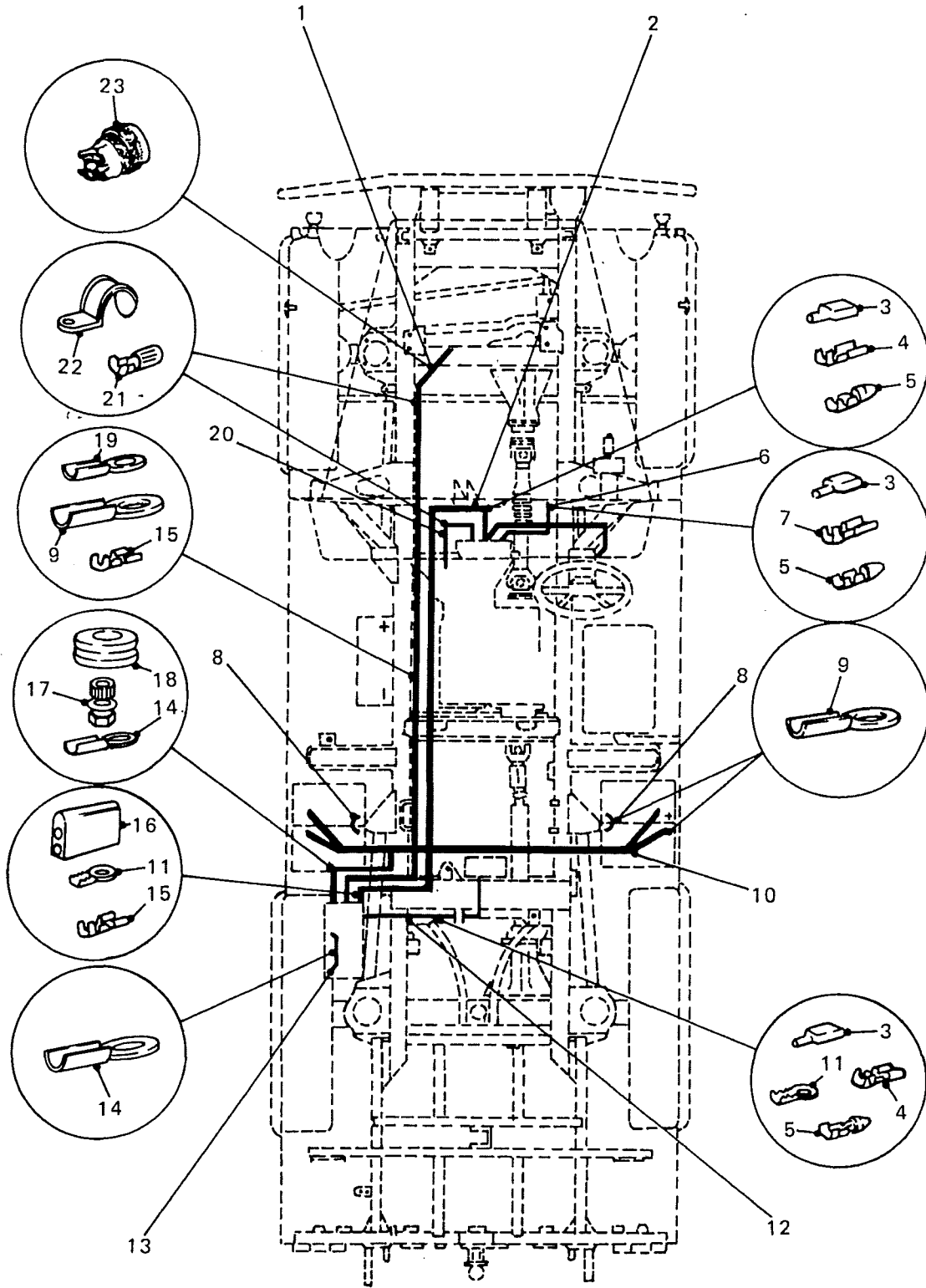
PERENTIE LAND ROVER PARTS LIST

<u>ITEM</u>	<u>PART NO.</u>	<u>DESCRIPTION</u>	<u>NSN</u>	<u>DERIVATIVE CODE</u>							<u>CP</u>
				<u>2188</u>	<u>2189</u>	<u>2190</u>	<u>2191</u>	<u>2192</u>	<u>2194</u>	<u>2195</u>	
53	BYG9105	HARNESS-SOCKET									1
54	BYG9029	CABLE-NEGATIVE AUXILLARY BATTERY									1
55	BYG9125	CABLE-NEGATIVE AUXILLARY BATTERY									1
56	PRC3085	CABLE-DIFFLOCK									1
58	NSS										
59	NSS										
60	NSS										
67	NSS										
	MYH1968	NYLON TIE	5340-66-128-4558								8
	AYG9740	CABLE-EXTENSION -BLACKOUT LIGHT-TAIL LAMP									2
	PRC2079	BUSH-INSULATION									1
	MYH1763	CABLE TIE-HARNESSES	5975-12-199-8964								14

CHANGE POINT

ARN INTRODUCTION

GROUP QLA/1

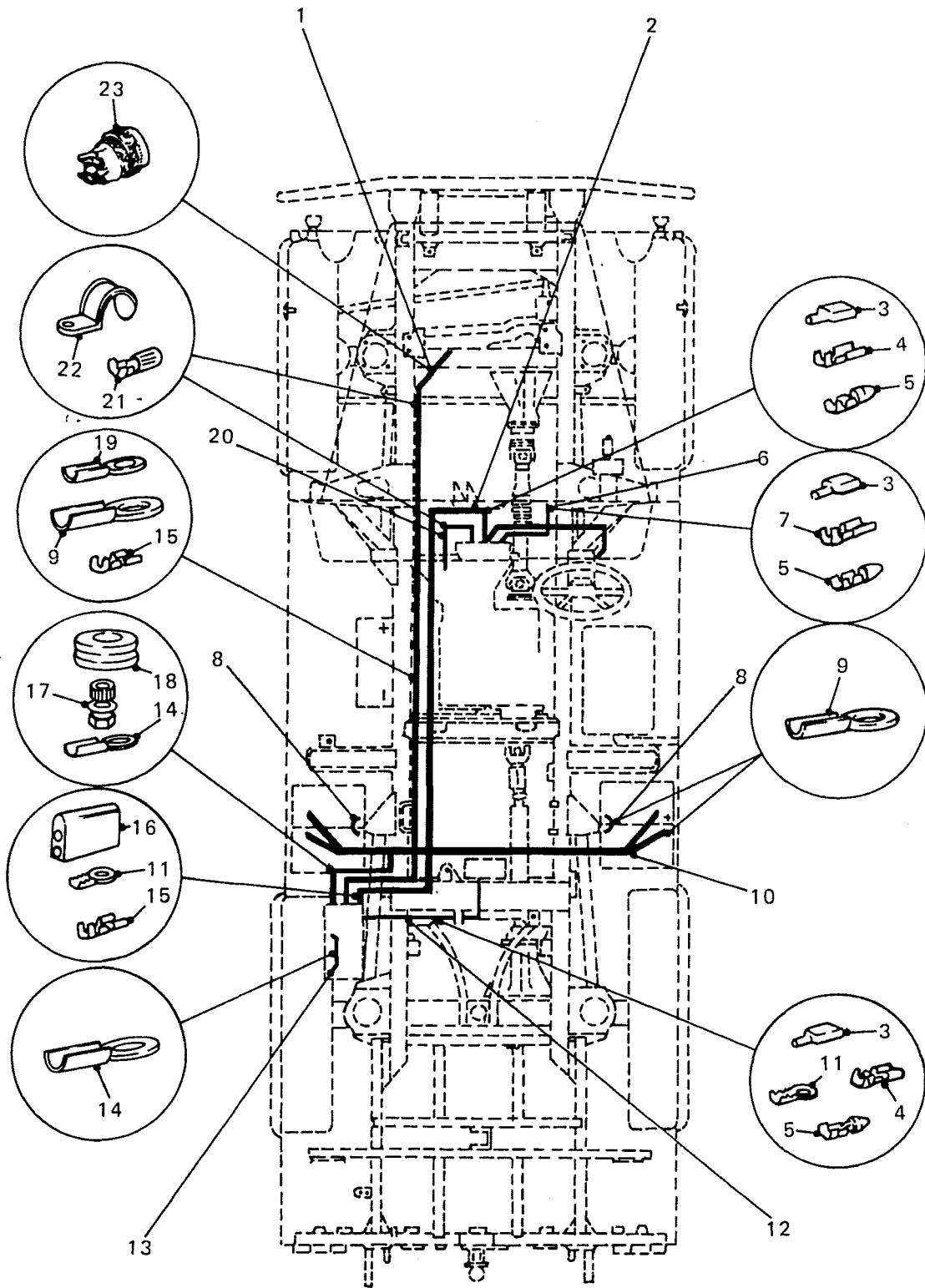


WIRING HARNESSES - SOFT TOP FFR ONLY

PERENTIE LAND ROVER PARTS LIST

ITEM	PART NO.	DESCRIPTION	NSN	DERIVATIVE CODE								
				2188	2189	2190	2191	2192	2194	2195	2207	CP
1	AYG9959	HARNESS-ALTERNATOR TO DISTRIBUTION BOX				1	1					
2	AYG9784	HARNESS-DISTRIBUTION BOX TO AMMETER				1	1					
3	NSS		5975-66-065-2592									
4	NSS		5940-66-128-5307									
5	MYH2565	TERMINAL-UTILUX	5940-66-128-4737			7	7					
6	AYG9770	CABLE-MAIN HARNESS TO AMMETER-EARTH				1	1					
7	NSS		5940-66-077-0138									
8	AYG9920	CABLE-LINK-RADIO BATTERIES	6140-66-128-5322			2	2					
9	NSS		5940-66-076-3624									
10	AYG9919	CABLE-RADIO BATTERIES	6140-66-128-5324			1	1					
11	NSS		5940-66-096-4592									
12	BYG9121	CABLE-FFR LAMP TO DISTRIBUTION BOX				1	1					
13	AYG9921	CABLE-LINK -DISTRIBUTION BOX				1	1					
14	NSS		5940-66-128-5308									
15	NSS		5940-66-106-1154									
16	NSS											
17	NSS											
18	NSS		5365-99-838-8255									
19	NSS		5940-66-112-0014									
20	AYG9768	CABLE-DIMMER SWITCH TO MAIN HARNESS				1	1					
21	NSS		5940-66-128-4714									
22	HYG3502	CLIP-SADDLE	5340-66-128-5339									
23	HYM82	PLUG	5935-00-825-7282			1	1					

GROUP QLA/1



**WIRING HARNESSES
- SOFT TOP FFR ONLY**

PERENTIE LAND ROVER PARTS LIST

QLA/1/1

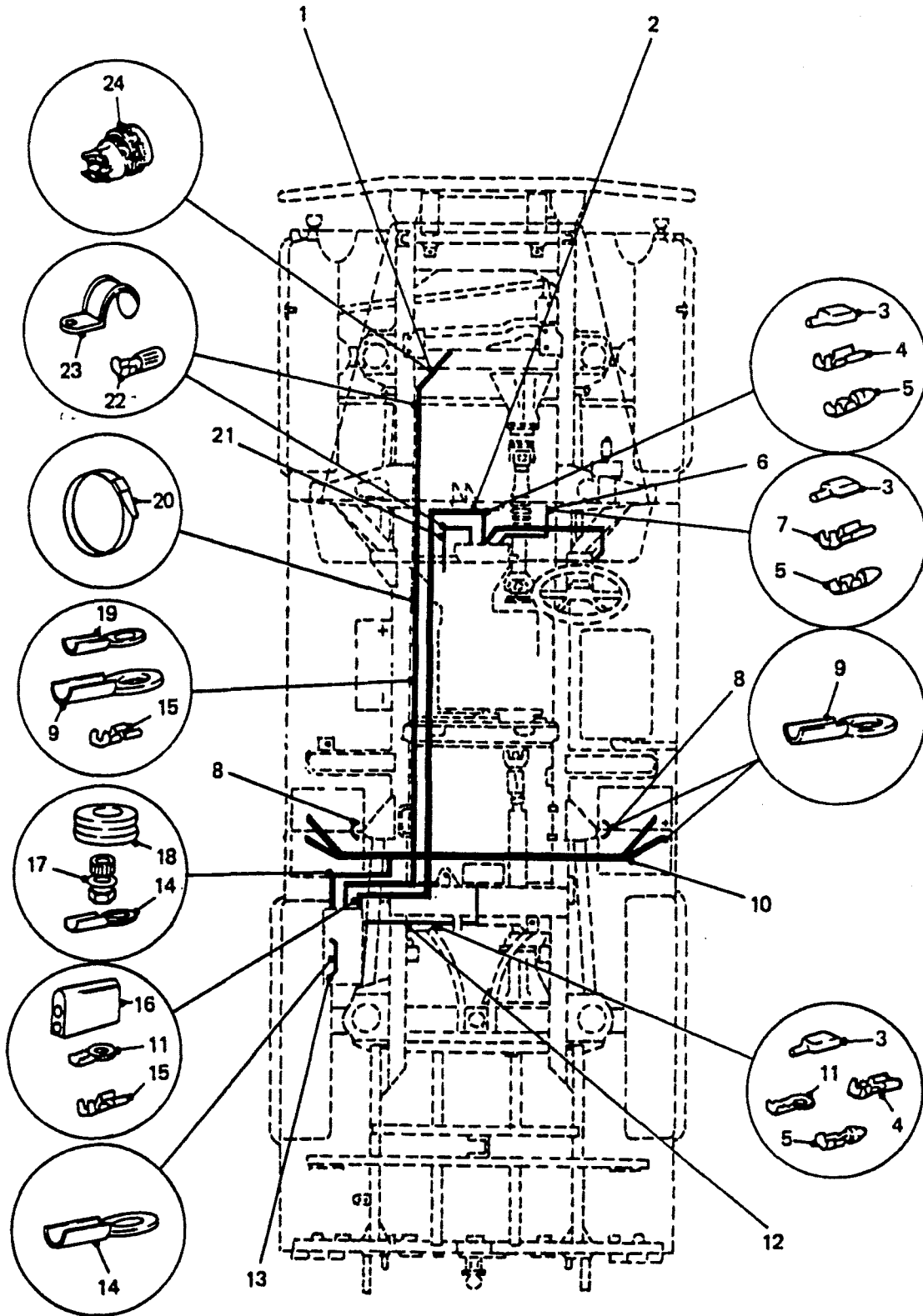
WIRING HARNESES - SOFT TOP FFR ONLY

<u>ITEM</u>	<u>PART NO.</u>	<u>DESCRIPTION</u>	<u>NSN</u>	<u>DERIVATIVE CODE</u>									
				<u>2188</u>	<u>2189</u>	<u>2190</u>	<u>2191</u>	<u>2192</u>	<u>2194</u>	<u>2195</u>	<u>2207</u>	<u>CP</u>	
	FS106201	SCREW-ALTERNATOR HARNESS TO DISTRIBUTION BOX	5305-99-122-5361			4		4					
	WC106041L	WASHER-PLAIN	5310-99-122-3411			4		4					
	NY106041L	NUT-NYLOC	5310-99-138-8423			4		4					
	AYH9037	CONNECTOR-DOUBLE -LAMP HARNESS TO DIST. BOX HARNESS	5940-66-036-8141			1		1					

CHANGE POINT

ARN INTRODUCTION

GROUP QLA/2

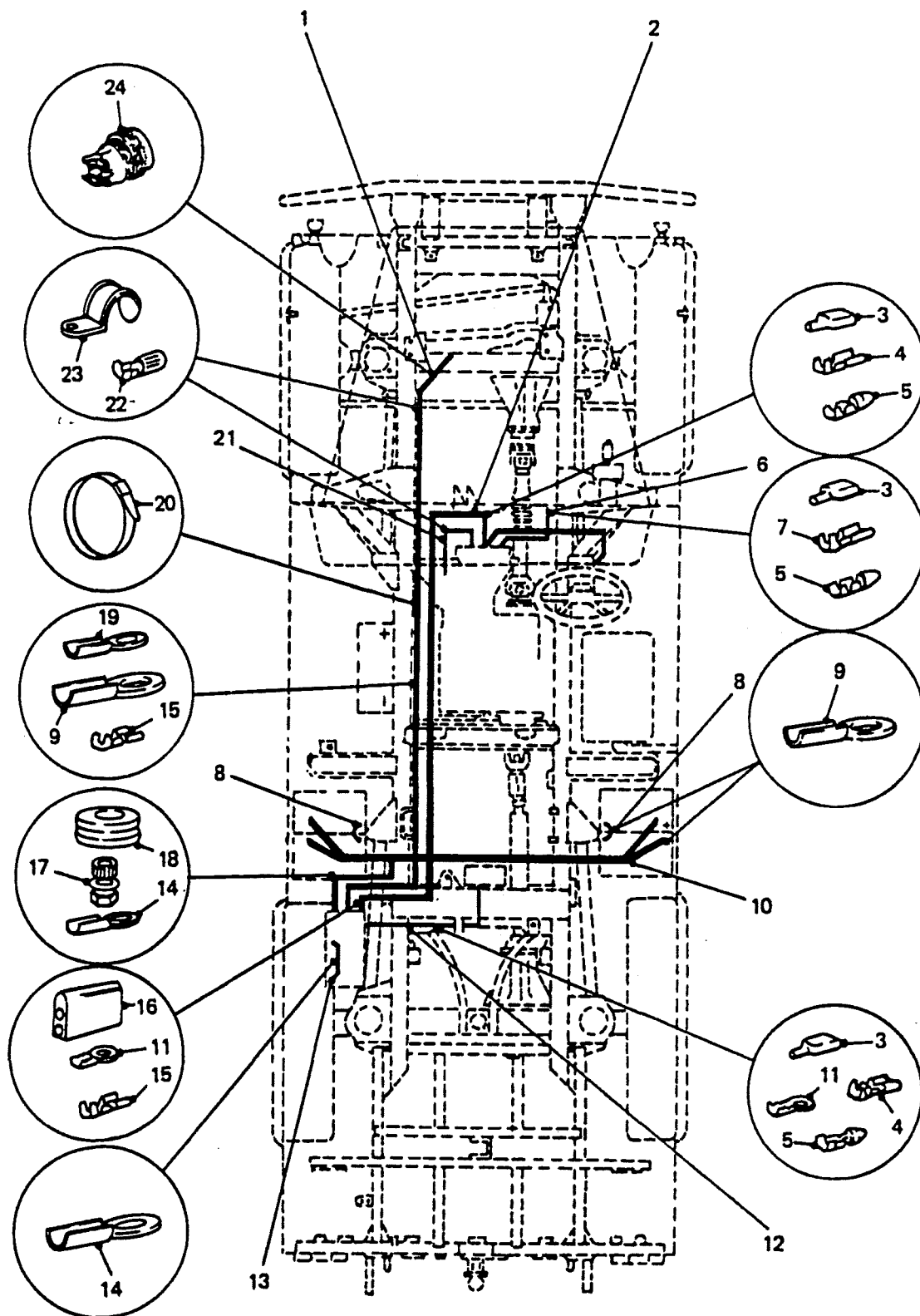


**WIRING HARNESSES
- HARD TOP SURVEY FFR ONLY**

PERENTIE LAND ROVER PARTS LIST

ITEM	PART NO.	DESCRIPTION	NSN	DERIVATIVE CODE							CP	
				2188	2189	2190	2191	2192	2194	2195		
1	AYG9959	HARNESS-ALTERNATOR TO DISTRIBUTION BOX									1	
2	AYG9784	HARNESS-DISTRIBUTION BOX TO AMMETER									1	
3	H1135	TERMINAL	5975-66-065-2592								5	
4	NSS											
5	MYH2565	TERMINAL-UTILUX	5940-66-128-4737								8	
6	AYG9770	CABLE-MAIN HARNESS TO AMMETER-EARTH									1	
7	NSS											
8	AYG9920	CABLE-LINK-RADIO BATTERIES	6140-66-128-5322								2	
9	NSS											
10	AYG9919	CABLE-RADIO BATTERIES	6140-66-128-5324								1	
11	NSS											
12	BYG9121	CABLE-FFR LAMP TO DISTRIBUTION BOX									1	
13	AYG9921	CABLE-LINK -DISTRIBUTION BOX									1	
14	NSS											
15	NSS											
16	NSS											
17	NSS											
18	NSS											
19	NSS		5940-66-112-0014									
20	MYH1940	CABLE TIE	5340-99-618-3776								1	
21	AYG9768	CABLE-DIMMER SWITCH TO MAIN HARNESS									1	
22	NSS											
23	HYG3502	CLIP-SADDLE	5340-66-128-5339								4	

GROUP QLA/2



**WIRING HARNESSES
- HARD TOP SURVEY FFR ONLY**

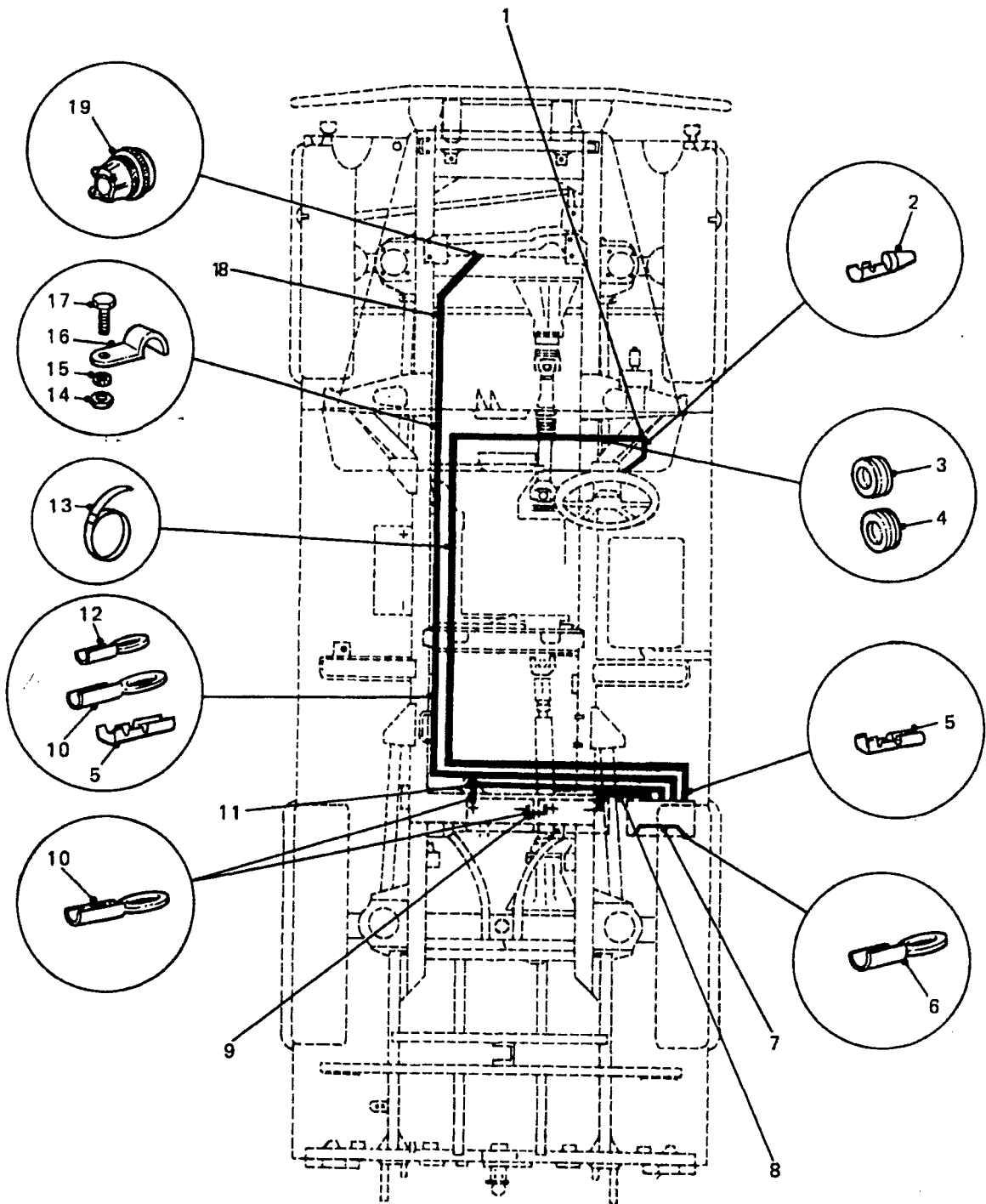
PERENTIE LAND ROVER PARTS LIST

<u>ITEM</u>	<u>PART NO.</u>	<u>DESCRIPTION</u>	<u>NSN</u>	<u>DERIVATIVE CODE</u>							<u>CP</u>	
				<u>2188</u>	<u>2189</u>	<u>2190</u>	<u>2191</u>	<u>2192</u>	<u>2194</u>	<u>2195</u>		<u>2207</u>
24	HYM82	PLUG	5935-00-825-7282								1	
	AYG9769	CABLE-MAIN HARNESS TO AMMETER-FEED									1	
	FS106201	SCREW-ALTERNATOR HARNESS TO DISTRIBUTION BOX	5305-99-122-5361								4	
	WC106041L	WASHER-PLAIN	5310-99-122-3411								4	
	NY106041L	NUT-NYLOC	5310-99-138-8423								4	
	AYH9037	CONNECTOR-DOUBLE -LAMP HARNESS TO DIST. BOX HARNESS	5940-66-036-8141								1	

CHANGE POINT

ARN INTRODUCTION

GROUP QLA/3



**WIRING HARNESSES
- SNR. COMMANDER VEHICLE ONLY**

PERENTIE LAND ROVER PARTS LIST

QLA/3/1

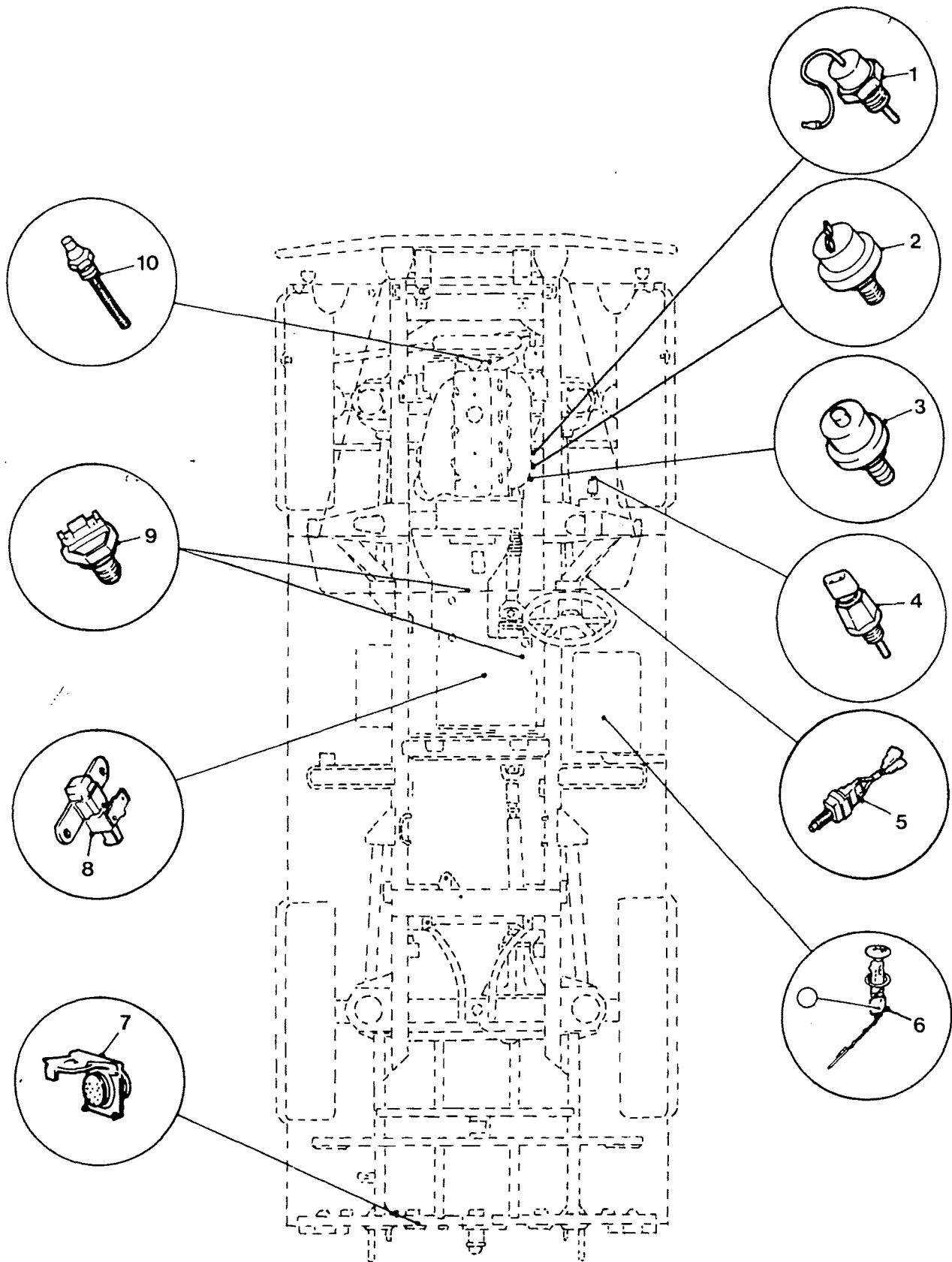
WIRING HARNESES - SNR. COMMANDER VEHICLE ONLY

ITEM	PART NO.	DESCRIPTION	NSN	DERIVATIVE CODE							CP
				2188	2189	2190	2191	2192	2194	2195	
1	AYG9835	HARNESS-DISTRIBUTION BOX TO IGNITION FEED								1	
2	MYH2565	TERMINAL-UTILUX	5940-66-128-4737							2	
3	R269257	GROMMET	5325-99-828-1011							1	
4	NSS										
5	NSS										
6	NSS										
7	AYG9921	CABLE-LINK -DISTRIBUTION BOX								1	
8	AYG9929	CABLE-EARTH-RADIO BATTERIES	6140-66-128-5328							1	
9	AYG9920	CABLE-LINK-RADIO BATTERIES	6140-66-128-5322							1	
10	NSS										
11	AYG9930	CABLE-BATTERY	6140-66-128-5327							1	
12	NSS										
13	NSS										
14	NY106041L	NUT-NYLOC	5310-99-138-8423							6	
15	WC106041L	WASHER-PLAIN	5310-99-122-3411							6	
16	HYG3502	CLIP-SADDLE	5340-66-128-5339							6	
17	FS106201	SCREW	5305-99-122-5361							6	
18	AYG9958	HARNESS-ALTERNATOR TO DISTIBUTION BOX								1	
19	HYM82	PLUG	5935-00-825-7282							1	
	AYH9037	CONNECTOR-DOUBLE -LAMP HARNESS TO DIST. BOX HARNESS	5940-66-036-8141							1	

CHANGE POINT

ARN INTRODUCTION

GROUP QM



**SWITCH, SENDER UNIT AND NATO
SOCKET LOCATIONS**

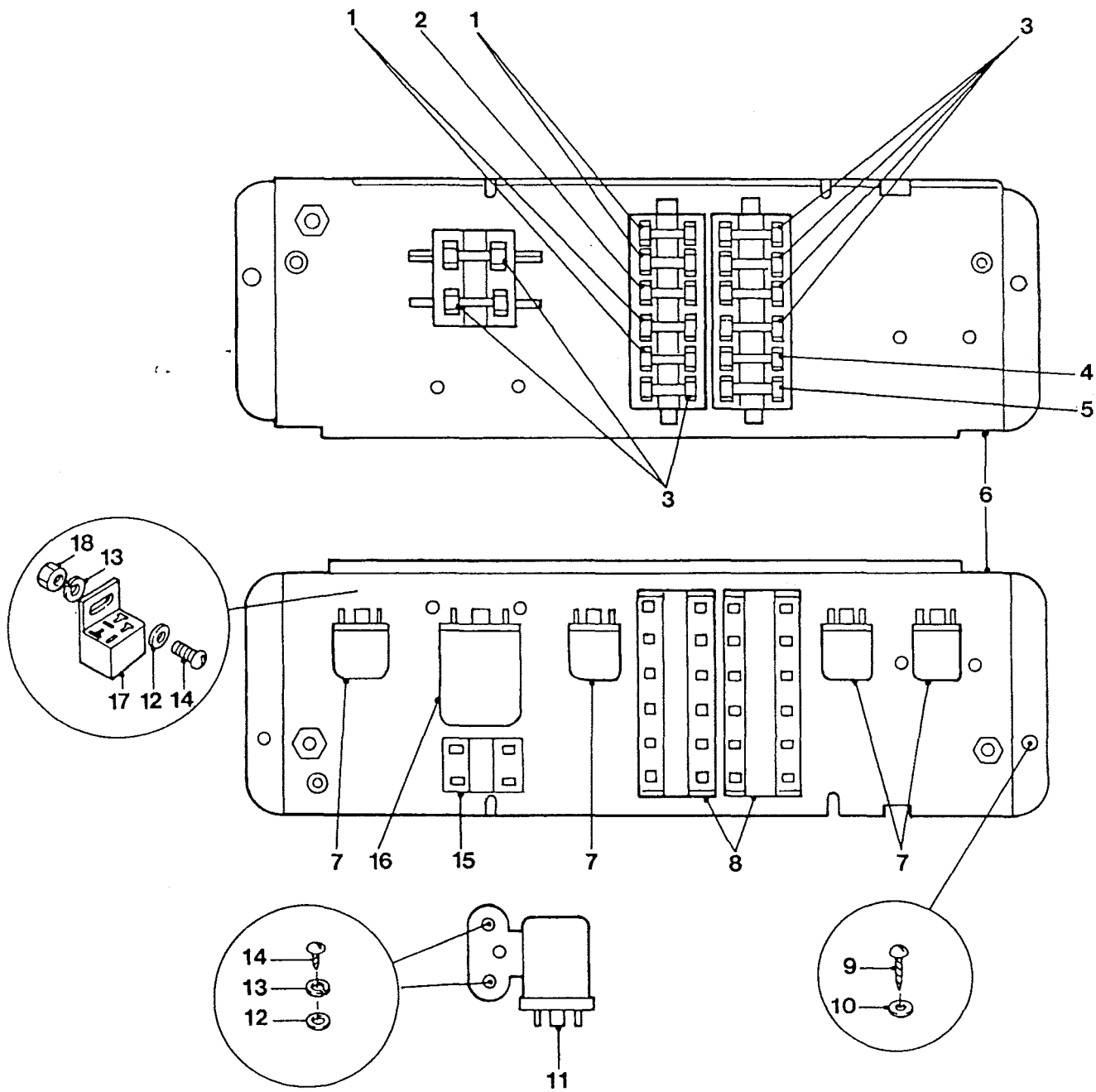
PERENTIE LAND ROVER PARTS LIST

<u>ITEM</u>	<u>QM /1/1</u> <u>PART NO.</u>	<u>SWITCH, SENDER UNIT AND NATO SOCKET LOCATIONS</u> <u>DESCRIPTION</u>	<u>NSN</u>	<u>DERIVATIVE CODE</u>								<u>CP</u>
				<u>2188</u>	<u>2189</u>	<u>2190</u>	<u>2191</u>	<u>2192</u>	<u>2194</u>	<u>2195</u>	<u>2207</u>	
1		SENSOR (REFER GROUP ACB)		1	1	1	1	1	1	1	1	1
2	8941780031	SWITCH-PRESSURE -REVERSE LAMPS	5930-66-128-4812	1	1	1	1	1	1	1	1	1
3	9827202092	SWITCH-PRESSURE-OIL -ENGINE	5930-66-128-5402	1	1	1	1	1	1	1	1	1
4	HYL8659	SWITCH-PRESSURE DIFFERENTIAL	5930-66-128-4753	1	1	1	1	1	1	1	1	1
5	PRC4297	SWITCH-BRAKE	5930-99-797-8645	1	1	1	1	1	1	1	1	1
6	AYG9825	UNIT-TANK-RH	6680-66-128-4877	1	1	1	1	1	1	1	1	1
6	BYG9133	UNIT-TANK-LH-RFSV ONLY	6680-66-128-6117									1
7	HYG582	NATO SOCKET	5935-66-010-7853	1	1	1	1	1	1	1	1	1
8	ADU2888L	SWITCH-HANDBRAKE	5930-66-128-4764	1	1	1	1	1	1	1	1	1
9	RTC4512	SWITCH-REVERSE LIGHT-GEARBOX	5930-99-768-3325	1	1	1	1	1	1	1	1	1
10	AYG9603	TRANSMITTER-WATER TEMPERATURE	6685-66-095-8448	1	1	1	1	1	1	1	1	1

CHANGE POINT

ARN INTRODUCTION

GROUP QMA/1 SHEET 1



FUSES AND RELAYS (EARLY TYPE)

PERENTIE LAND ROVER PARTS LIST

<u>ITEM</u>	<u>QMA/1/1</u> <u>PART NO.</u>	<u>FUSES AND RELAYS (EARLY TYPE)</u> <u>DESCRIPTION</u>	<u>NSN</u>	<u>DERIVATIVE CODE</u>							
				<u>2188</u>	<u>2189</u>	<u>2190</u>	<u>2191</u>	<u>2192</u>	<u>2194</u>	<u>2195</u>	<u>2207</u>
1	RTC4785	FUSE-20AMP	5920-66-128-4252	4	4	4	4	4	4	4	
2	RTC4505	FUSE-25AMP	5920-66-128-4892	1	1	1	1	1	1	1	
3	RTC4502	FUSE-15AMP	5920-99-803-4269	7	7	7	7	7	7	7	
4	RTC4482	FUSE-5AMP	5920-99-804-8556	1	1	1	1	1	1	1	
5	RTC4500	FUSE-10 AMP	5920-66-017-7508	1	1	1	1	1	1	1	
6	PRC2443	PANEL MOUNTING-FUSEBOX		1	1	1	1	1	1	1	
7	YWB10032	RELAY	5945-99-739-6093	3	3	3	3	3	3	3	
8	STC197	BLOCK-FUSES		2	2	2	2	2	2	2	
9	SE106121	SCREW	5305-99-122-5289	2	2	2	2	2	2	2	
10	WF600041L	WASHER-LOCK	5310-66-016-5982	2	2	2	2	2	2	2	
11	5825530581	RELAY-ENGINE	5945-66-128-4890	2	2	2	2	2	2	2	
	AB614061L	SCREW-RELAYS TO DASH	5305-99-941-9038	4	4	4	4	4	4	4	
12	WA105001L	WASHER-PLAIN	5310-99-122-3032	11	11	11	11	11	11	11	
13	WL105001L	WASHER-LOCK	5310-99-977-1102	11	11	11	11	11	11	11	
14	SE105121L	SCREW	5305-99-135-0429	11	11	11	11	11	11	11	
15	PRC3737	FUSE BOX		1	1	1	1	1	1	1	
16	PRC2239	FLASHER UNIT	5945-99-833-6818	1	1	1	1	1	1	1	
16	PRC8876	FLASHER UNIT	5945-99-833-6818	1	1	1	1	1	1	1	01
17	HYL9428	BLOCK-RELAYS		10	10	10	10	10	10	10	
18	NH105041L	NUT	5310-66-098-4400	7	7	7	7	7	7	7	
	HYM434	CLIP-BLOCK-FUSES		5	5	5	5	5	5	5	

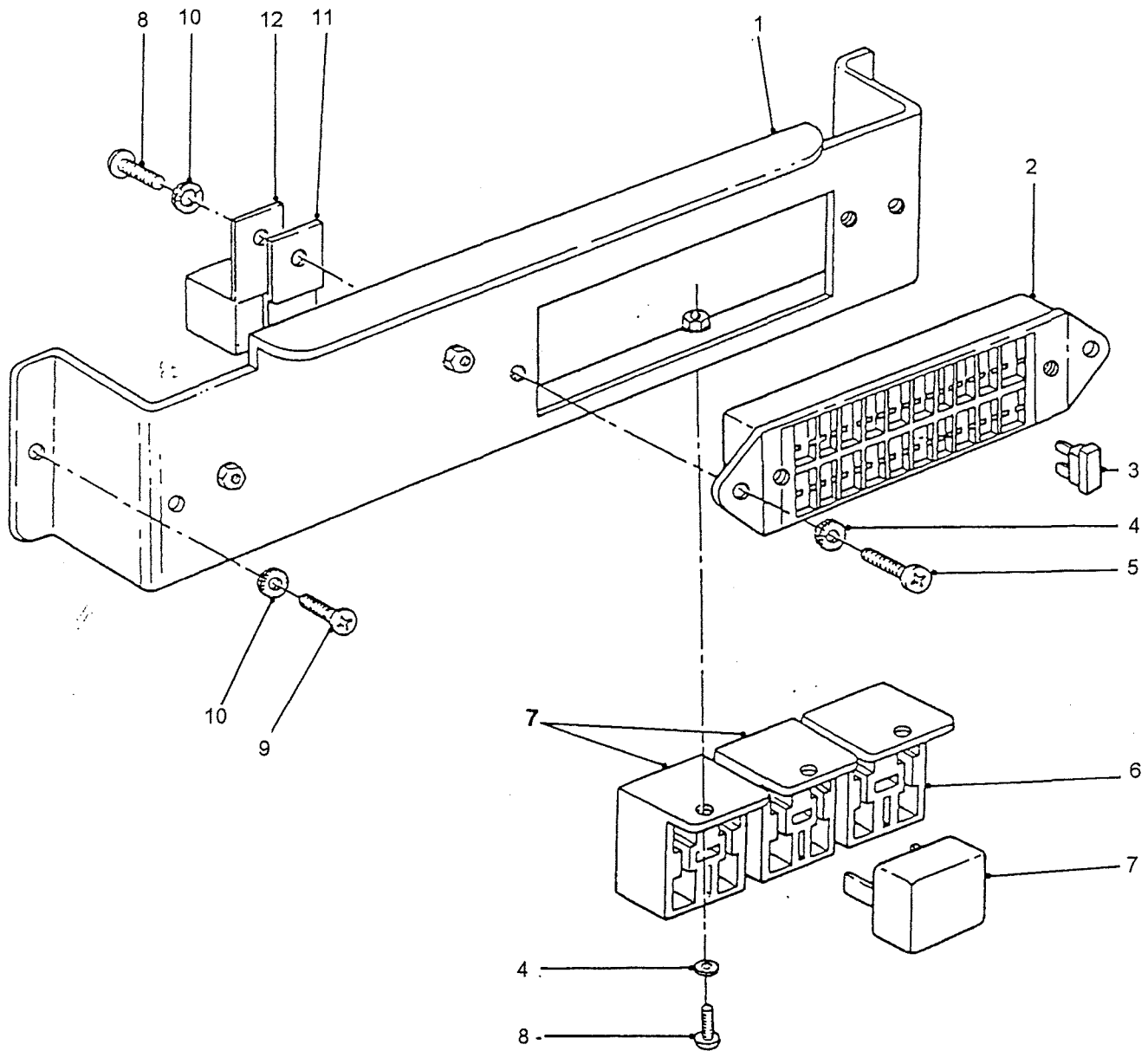
CHANGE POINT

1

ARN INTRODUCTION

49-967 SOFT TOP CARGO

GROUP QMA/2

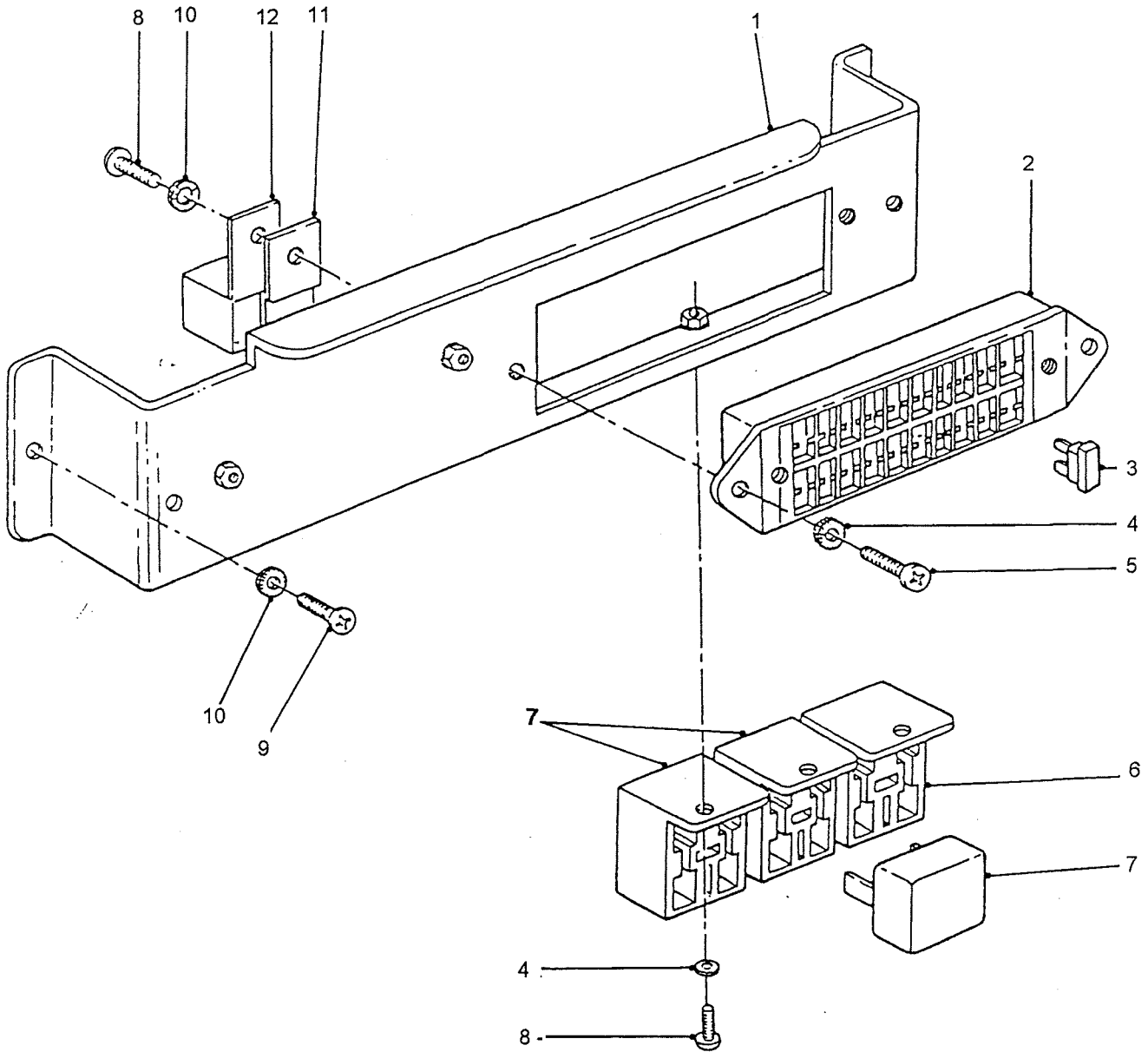


FUSES AND RELAYS (LATER TYPE)

PERENTIE LAND ROVER PARTS LIST

ITEM	QMA/2/1 PART NO.	FUSES AND RELAYS (LATER TYPE) DESCRIPTION	NSN	DERIVATIVE CODE							CP	
				2188	2189	2190	2191	2192	2194	2195		2207
1	PRC8072	PANEL-MOUNTING -FUSEBOX		1	1	1	1				1	01
2	NSS	FUSE BOX-BLADE TYPE-PART OF MAIN HARNESS										01
3	RTC4481	FUSE-3AMP-BLADE TYPE	5920-99-766-9038	4	4	4	4				4	03
3	RTC4497	FUSE-5AMP-BLADE TYPE	5920-99-767-2990	4	4	4	4				4	03
3	RTC4498	FUSE-7.5AMP-BLADE TYPE	5920-99-759-5251	5	5	5	5				5	03
3	RTC4501	FUSE-10AMP-BLADE TYPE	5920-99-759-5252	1	1	1	1				1	03
3	RTC4503	FUSE-15AMP-BLADE TYPE	5920-99-759-5253	3	3	3	3				3	03
3	RTC4504	FUSE-20AMP-BLADE TYPE	5920-99-759-5254	3	3	3	3				3	03
4	WE105001	WASHER-LOCK		5	5	5	5				5	
5	SE105161L	SCREW	5305-99-135-0430	2	2	2	2				2	
6	HYL9428	BLOCK-RELAYS		3	3	3	3				3	
7	YWB10032	RELAY	5945-99-739-6093	3	3	3	3				3	03
8	SE105121L	SCREW	5305-99-135-0429	4	4	4	4				4	
9	SE106121	SCREW	5305-99-122-5289	2	2	2	2				2	
10	WF600041L	WASHER-LOCK	5310-66-016-5982	3	3	3	3				3	
11	PRC8876	FLASHER UNIT	5945-99-833-6818	1	1	1	1				1	03
12	PRC6864	RELAY-WIPER DELAY	5945-66-128-6039	1	1	1	1				1	02

GROUP QMA/2



**FUSES AND RELAYS
(LATER TYPE)**

PERENTIE LAND ROVER PARTS LIST

QMA/2/1 FUSES AND RELAYS (LATER TYPE)

<u>ITEM</u>	<u>PART NO.</u>	<u>DESCRIPTION</u>	<u>NSN</u>	<u>DERIVATIVE CODE</u>								<u>CP</u>
				<u>2188</u>	<u>2189</u>	<u>2190</u>	<u>2191</u>	<u>2192</u>	<u>2194</u>	<u>2195</u>	<u>2207</u>	
	DRC1245	BRACKET-WIPER DELAY RELAY TO FUSE BOX MOUNTING PANEL		1	1	1	1	1	1	1	1	
13	5825530581	RELAY-ENGINE	5945-66-128-4890	2	2	2	2					2
14	AB614061L	SCREW-RELAYS TO DASH	5305-99-941-9038	4	4	4	4					4
15	HAM4301	SPARE FUSE HOLDER		1	1	1	1					1
16	PRC4412	FUSE EXTRACTOR		1	1	1	1					1

CHANGE POINT

ARN INTRODUCTION

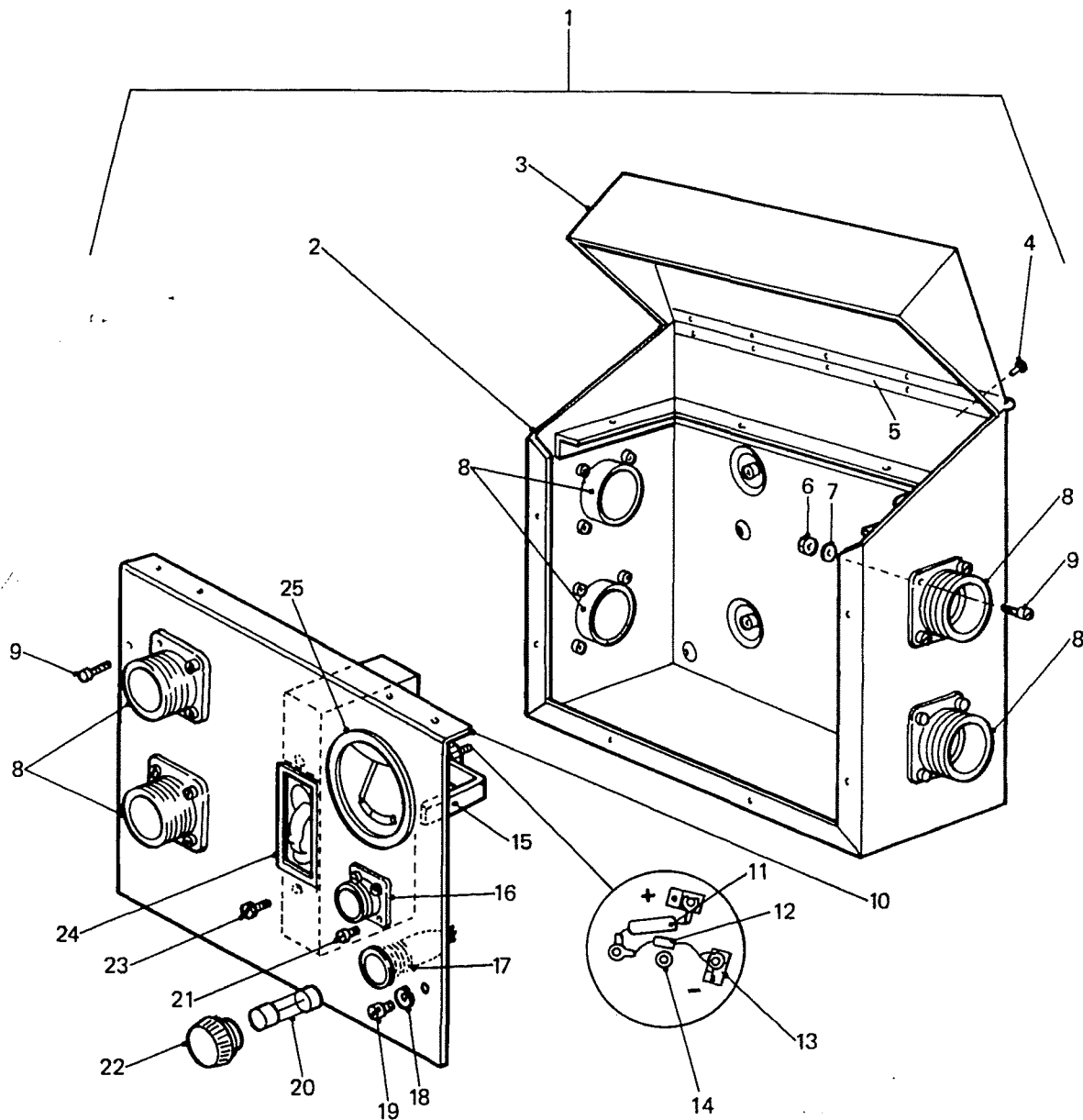
1 49-673 SOFT TOP FFR

2 51-425 SOFT TOP CARGO

2 51-581 R.F.S.V.

3 ELECTRICAL COMPONENTS ON R.F.S.V. ONLY REQUIRE PROTECTION FROM WATER INGRESS & CORROSION WHEN OPERATING IN SALT WATER WADING CONDITIONS. RELAYS, FLASHER UNIT & WIPER DELAY UNIT TO BE DIPPED IN DOW CORNING CONFORMAL COATING. ALL ABOVE COMPONENTS TO BE SPRAYED WITH ZEP IRONCLAD SOLUTION BEFORE ASSEMBLY TO CONNECTORS.

GROUP QN SHEET 1



**DISTRIBUTION BOX
– FFR VEHICLES ONLY**

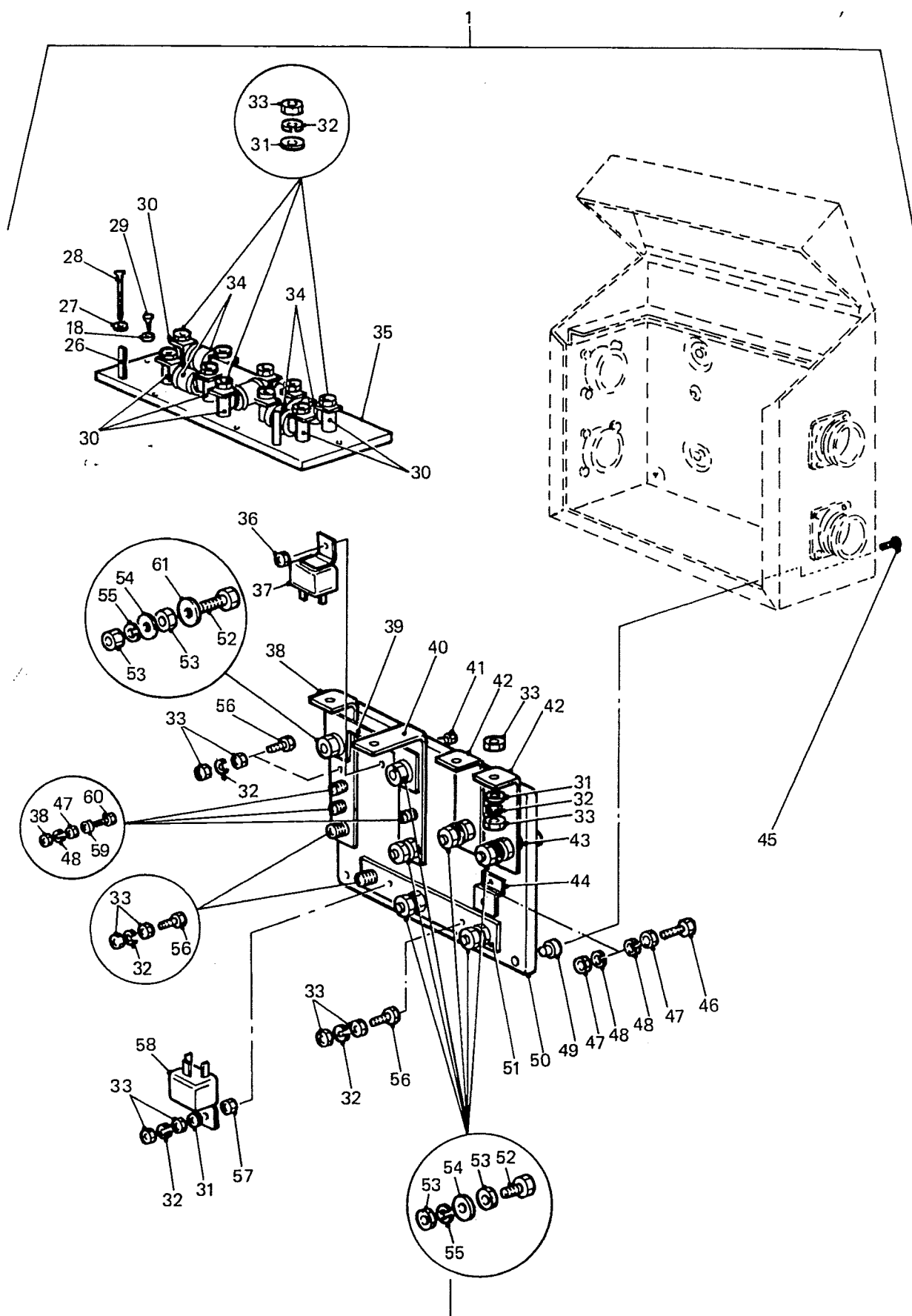
PERENTIE LAND ROVER PARTS LIST

ITEM	PART NO.	DESCRIPTION	NSN	DERIVATIVE CODE									
				2188	2189	2190	2191	2192	2194	2195	2207	CP	
1	AYG9975	BOX-DISTRIBUTION				1	1	1	1				
2	NSS												
3	NSS												
4	NSS												
5	NSS												
6	NSS												
7	NSS												
8	HYL8800	CONNECTOR	5935-01-260-9660			6	6	6	6				
9	NSS												
10	NSS												
11	HYL8807	CAPACITOR	5910-00-113-5499			1	1	1	1				
12	NSS												
13	NSS												
14	NSS												
15	NSS												
16	HYL8801	CONNECTOR	5935-00-502-7776			1	1	1	1				
17	HYL8805	FUSE HOLDER	5920-99-012-0231			1	1	1	1				
18	NSS												
19	NSS												
20	HYL8802	FUSE LINK	5920-66-017-7513			1	1	1	1				
21	NSS												
22	HYL8805	CAP-FUSE HOLDER	5920-99-012-0231			1	1	1	1				
23	NSS												
24	HYL8806	CIRCUIT BREAKER	5925-66-109-3019			1	1	1	1				
25	HYL8808	VOLTMETER-BATTERY INDICATOR	6625-66-128-5329			1	1	1	1				
	HYL8640	GLOBE-12V,2W-BATTERY INDICATOR	6240-66-011-5042			1	1	1	1				

CHANGE POINT

ARN INTRODUCTION

GROUP QN SHEET 2

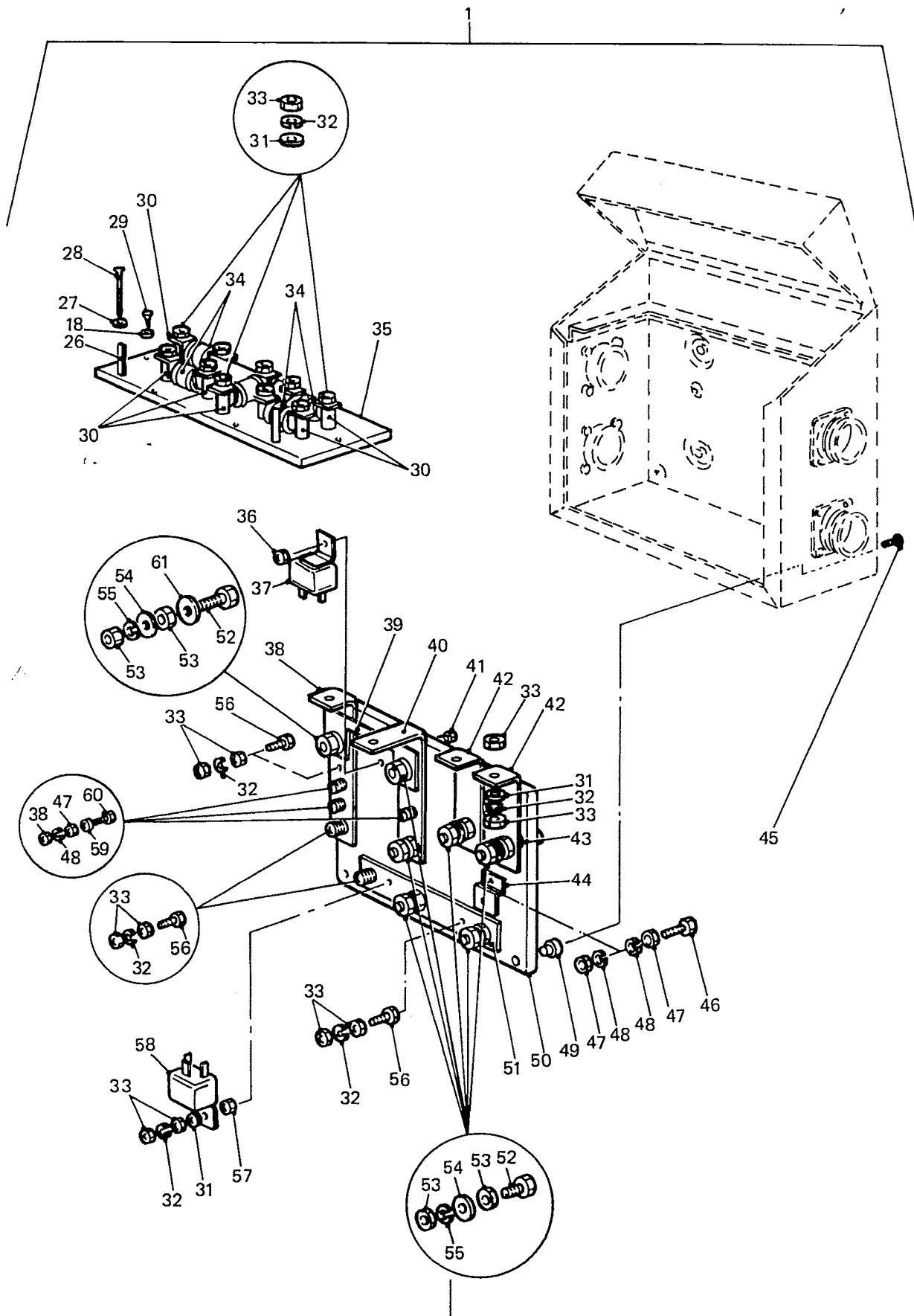


**DISTRIBUTION BOX
- FFR VEHICLES ONLY**

PERENTIE LAND ROVER PARTS LIST

ITEM	QN /1/2 PART NO.	DISTRIBUTION BOX - FFR ONLY DESCRIPTION	NSN	DERIVATIVE CODE								
				2188	2189	2190	2191	2192	2194	2195	2207	CP
18	NSS											
26	NSS											
27	HYL8799	RING - SEALING	5330-99-821-2510			2	2	2	2			
28	HYL8797	SCREW	5305-66-109-3335			2	2	2	2			
29	NSS											
30	NSS											
31	NSS											
32	NSS											
33	NSS											
34	HYL8798	FUSE LINK	5920-66-120-5459			5	5	5	5			
35	NSS											
36	NSS											
37	HYL8809	RELÄY	5945-12-177-8436			1	1	1	1			
38	NSS											
39	NSS											
40	NSS											
41	NSS											
42	NSS											
43	NSS											
44	NSS											
45	NSS											
46	NSS											
47	NSS											
48	NSS											
49	NSS		5310-66-109-3435									
50	NSS											
51	NSS											
52	NSS											
53	NSS											

GROUP QN SHEET 2



**DISTRIBUTION BOX
- FFR VEHICLES ONLY**

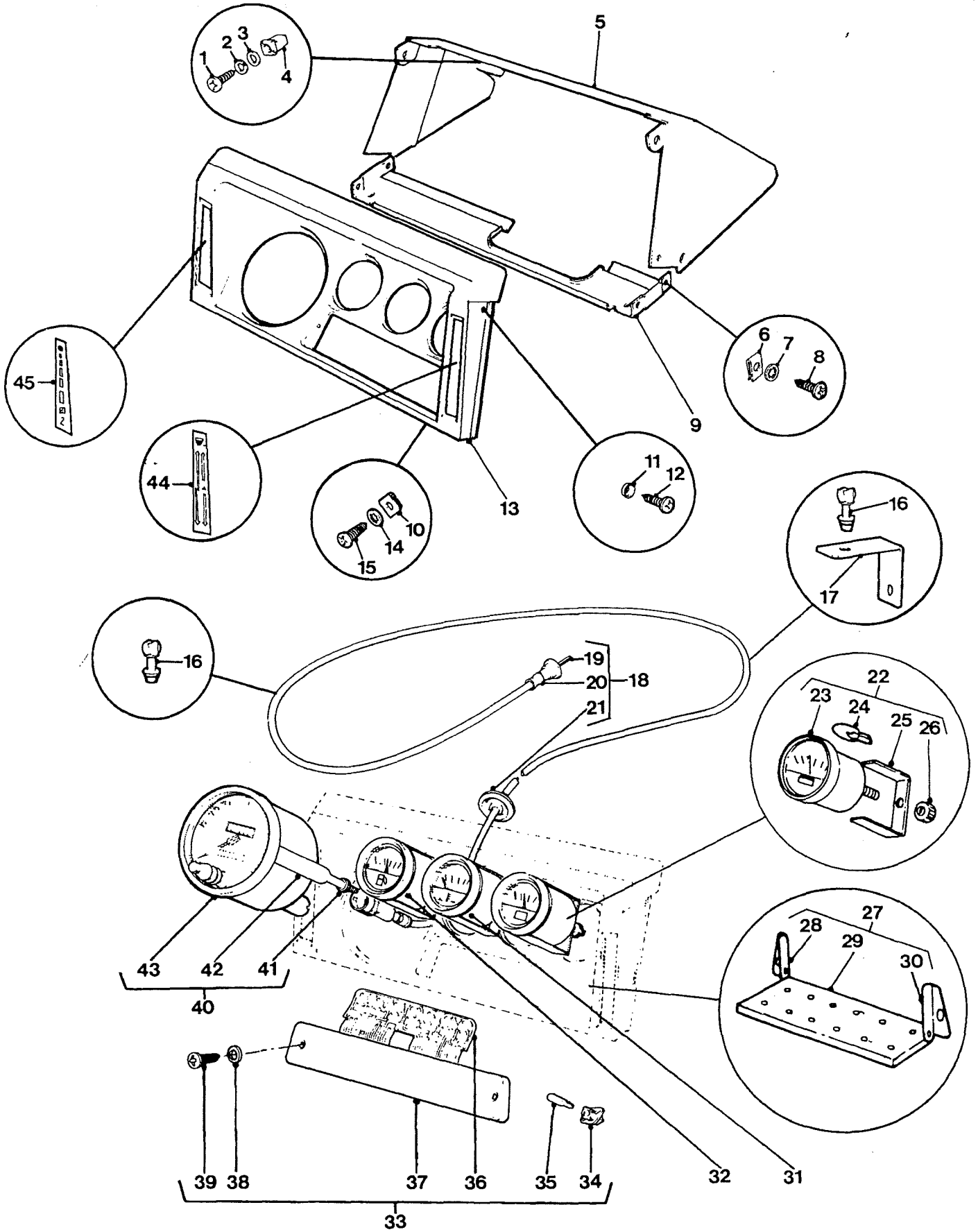
PERENTIE LAND ROVER PARTS LIST

<u>ITEM</u>	<u>QN /1/2</u>	<u>PART NO.</u>	<u>DESCRIPTION</u>	<u>NSN</u>	<u>DERIVATIVE CODE</u>									
					<u>2188</u>	<u>2189</u>	<u>2190</u>	<u>2191</u>	<u>2192</u>	<u>2194</u>	<u>2195</u>	<u>2207</u>	<u>CP</u>	
54		NSS												
55		NSS												
56		NSS												
57		NSS												
58		HYL8810	RELAY	5945-12-164-3102				1	1	1	1			
59		NSS												
60		NSS												
61		NSS												
		HYL8803	DUST CAP - COVER - CONNECTOR LARGE					6	6	6	6			
		HYL8804	DUST CAP - COVER - CONNECTOR SMALL					1	1	1	1			
		HYL8640	PLATE - MOUNTING DISTRIBUTION BOX					1	1	1	1			

CHANGE POINT

ARN INTRODUCTION

GROUP QNA / 1

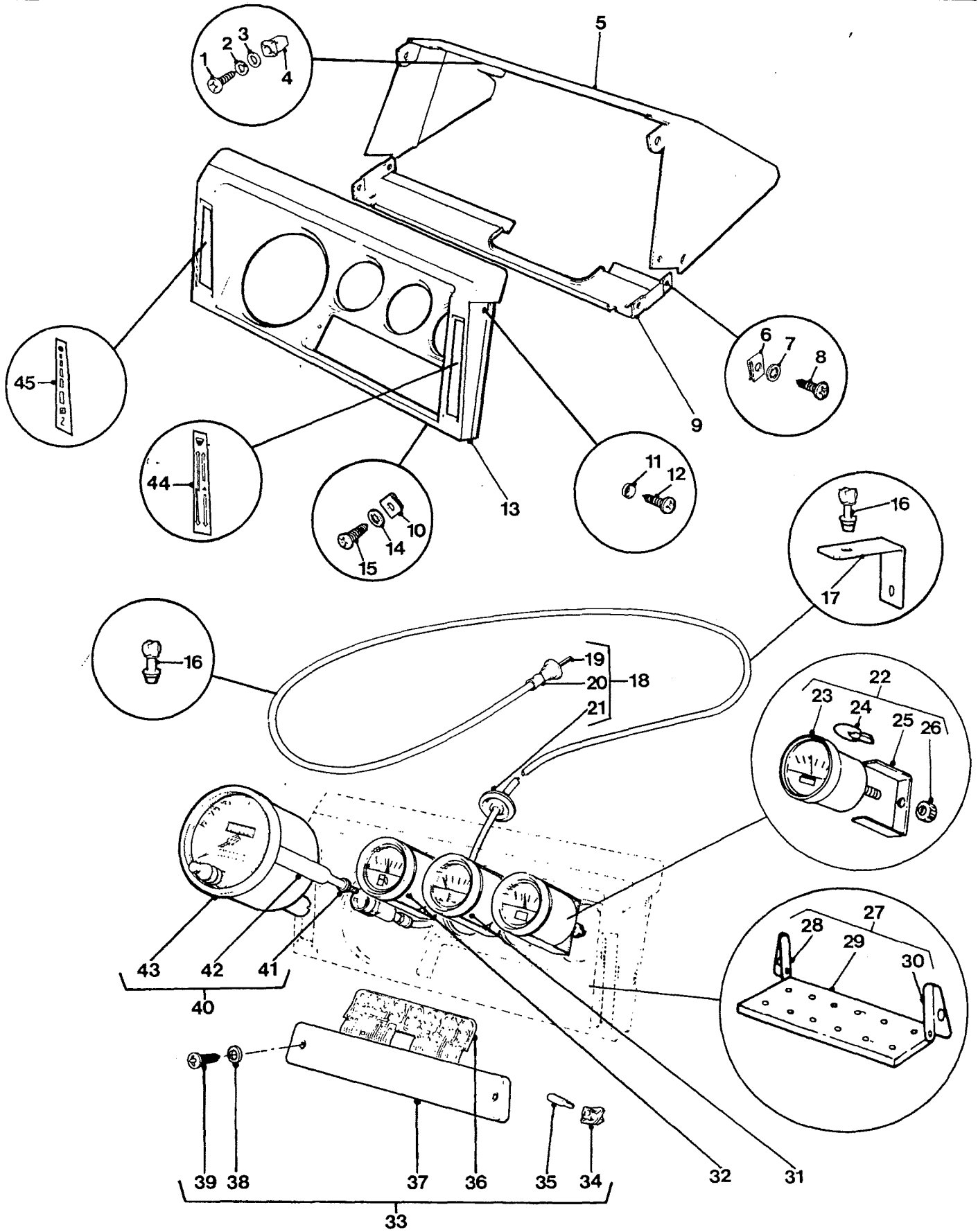


**INSTRUMENT PANEL, GAUGES AND
SPEEDOMETER CABLE**

PERENTIE LAND ROVER PARTS LIST

ITEM	PART NO.	DESCRIPTION	NSN	DERIVATIVE CODE							CP
				2188	2189	2190	2191	2192	2194	2195	
1	AZ610081	SCREW-DRIVE	5305-66-128-4599	5	5	5	5	5	5	5	
2	WL105001L	WASHER-LOCK	5310-99-977-1102	5	5	5	5	5	5	5	
3	AFU1218L	WASHER-PLAIN	5310-66-128-4600	5	5	5	5	5	5	5	
4	CZA4705L	LOKUT NUT	5310-66-128-4604	5	5	5	5	5	5	5	
5	MTC2808	COWL-INSTRUMENT PANEL	2540-66-128-4993	1	1	1	1	1	1	1	
6	AJ608031	NUT-SPRING	5310-99-137-6549	4	4	4	4	4	4	4	
7	WF703084	WASHER-LOCK	5310-66-128-4605	4	4	4	4	4	4	4	
8	AB608044L	SCREW	5305-99-977-3255	4	4	4	4	4	4	4	
9	MUC7598	STIFFENER	2540-66-128-4994	1	1	1	1	1	1	1	
10	AJ606041	NUT-SPRING	5310-99-777-5291	2	2	2	2	2	2	2	
11	WA104004L	WASHER-FLAT		2	2	2	2	2	2	2	
12	AB608065	SCREW-DRIVE	5305-66-128-4725	2	2	2	2	2	2	2	
13	MTC5458	PANEL-INSTRUMENTS	5975-66-128-4893	1	1	1	1	1	1	1	
14	WF704064	WASHER-LOCK	5310-66-128-4608	2	2	2	2	2	2	2	
15	MUC3394	DRIVE SCREW	5305-66-128-5246	2	2	2	2	2	2	2	
16	PRC3180	CLIP	5340-66-128-4611	2	2	2	2	2	2	2	
17	AYG2709	BRACKET-CABLE		1	1	1	1	1	1	1	
18	PRC6023	CABLE-SPEEDO	6680-66-128-4291	1	1	1	1	1	1	1	
19	NSS										
20	NSS										
21	NSS										
22	AYG9754	VOLTMETER	6620-66-128-4359	1	1	1	1	1	1	1	
23	NSS										
24	HYL8640	GLOBE-12V,2W	6240-66-011-5042	1	1	1	1	1	1	1	
25	NSS										
26	NSS										
27	HYG4503	PANEL KIT-BLACKOUT	2540-66-128-6020	1	1	1	1	1	1	1	
28	NSS										
29	NSS										

GROUP QNA /1



**INSTRUMENT PANEL, GAUGES AND
SPEEDOMETER CABLE**

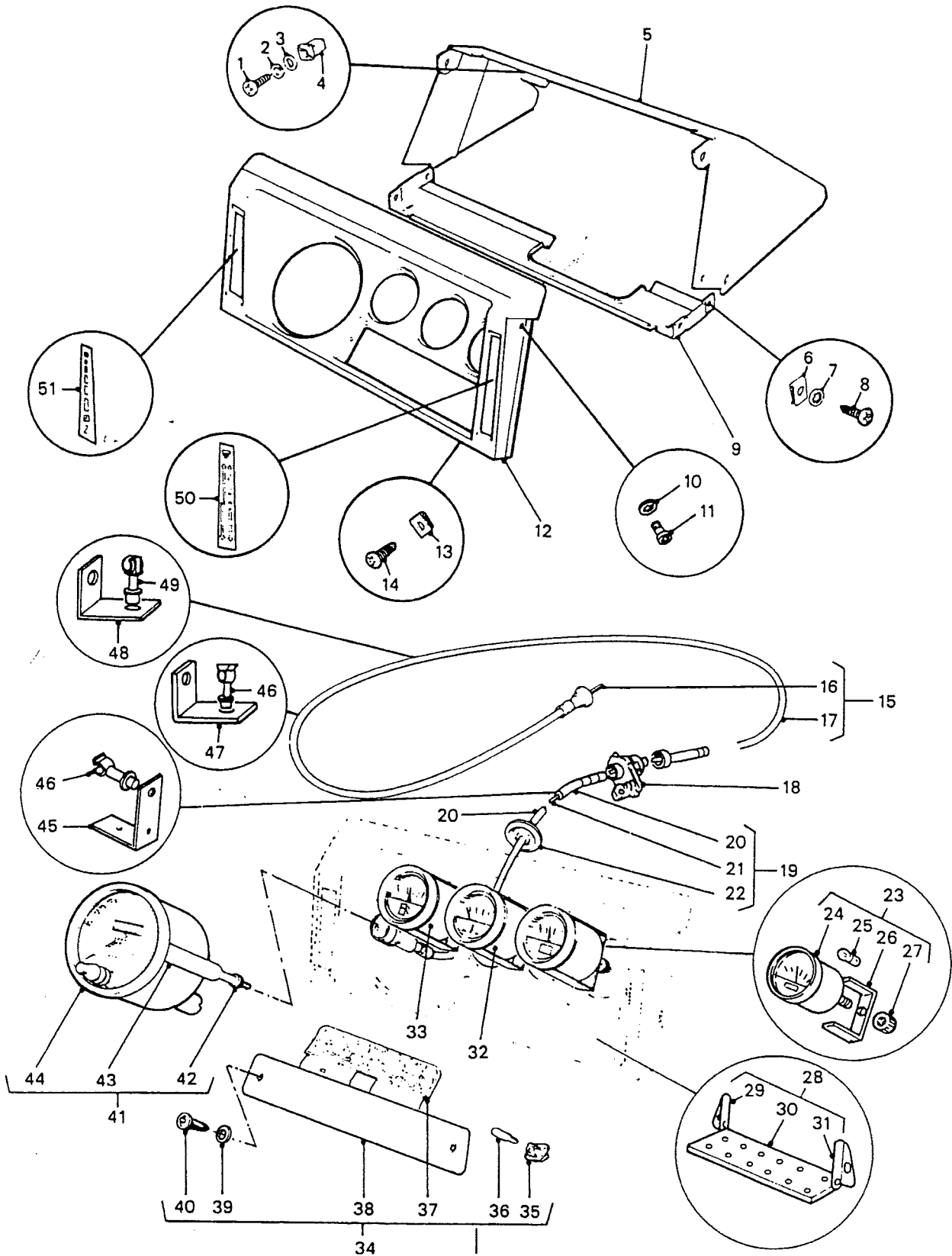
PERENTIE LAND ROVER PARTS LIST

ITEM	PART NO.	DESCRIPTION	NSN	DERIVATIVE CODE							CP
				2188	2189	2190	2191	2192	2194	2195	
30	NSS										
31	AYG9753	GAUGE-WATER TEMPERATURE	6625-66-128-4360	1	1	1	1	1	1	1	1
32	AYG9756	GAUGE-FUEL	6680-66-109-1748	1	1	1	1	1	1	1	1
33	PRC6657	MODULE-WARNING LAMP	2540-66-128-5006	1	1	1	1	1	1	1	1
34	AEU2722	HOLDER-BULB		18	18	18	18	18	18	18	18
35	RTC3635	GLOBE	6240-99-995-4499	10	10	10	10	10	10	10	10
36	AEU2721	PRINTED CIRCUIT BOARD	5999-99-797-3850	1	1	1	1	1	1	1	1
37	NSS										
38	NSS										
39	NSS										
40	PRC7374	SPEEDOMETER	6680-66-128-5018	1	1	1	1	1	1	1	1
41	NSS										
42	NSS										
43	NSS										
44	MTC6006	LABEL-HEATER	9905-66-128-5028	1	1	1	1	1	1	1	1
45	MTC6007	LABEL-FAN	9905-66-128-5029	1	1	1	1	1	1	1	1
	MYH3265	SLEEVE-INSTRUMENT LIGHTS	6220-66-128-5007	3	3	3	3	3	3	3	3
	MYH3316	BULB-LOW FUEL WARNING LIGHT	6240-66-128-5005	1	1	1	1	1	1	1	1
	BFS501	BULB-SPEEDOMETER	6240-99-995-2312	2	2	2	2	2	2	2	2
	PRC2980	BRACKET-SPEEDO CABLE		1	1	1	1	1	1	1	1
	PRC2979	BRACKET-SPEEDO CABLE-GEARBOX		1	1	1	1	1	1	1	1

CHANGE POINT

ARN INTRODUCTION

GROUP QNA/2

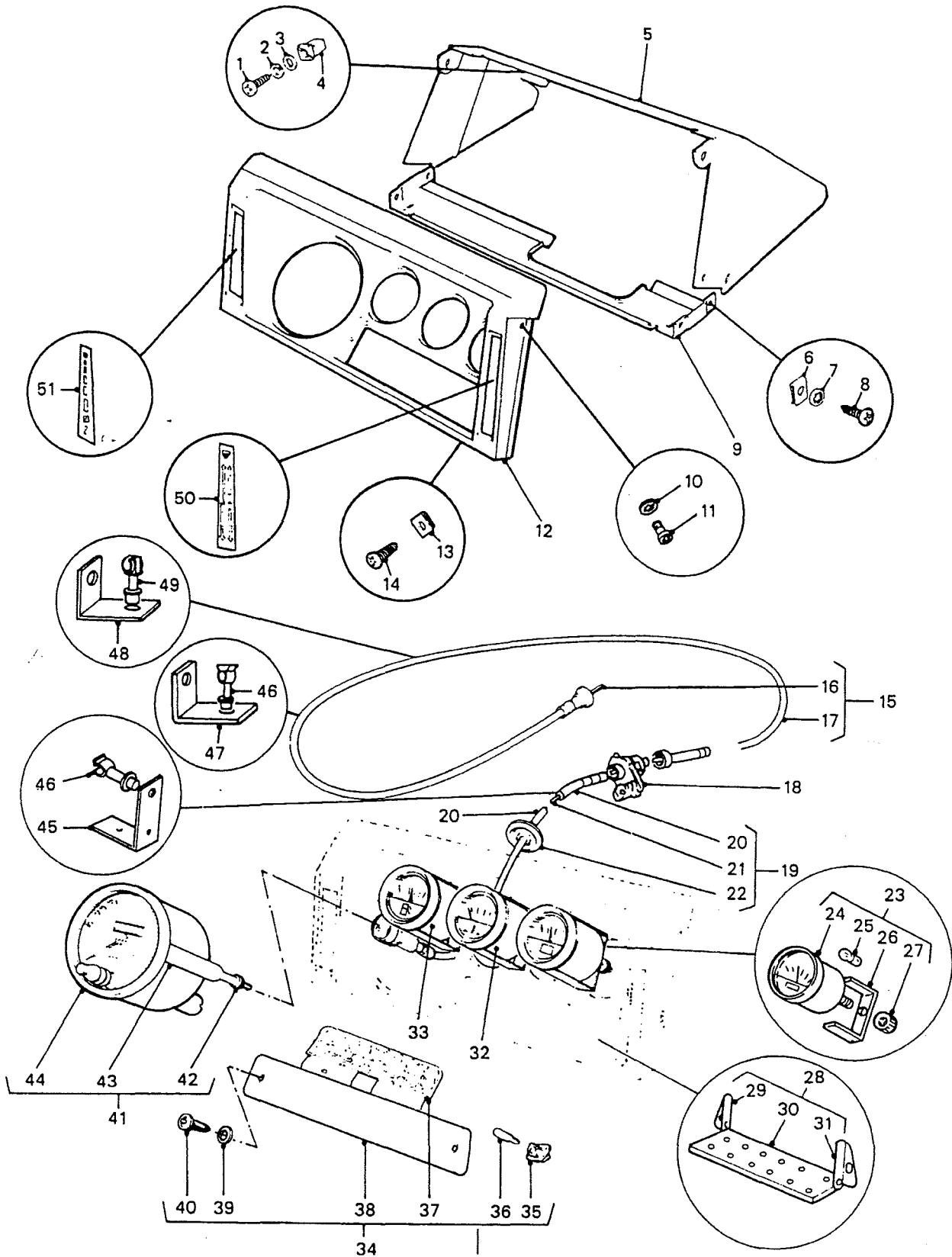


**INSTRUMENT PANEL, GAUGES, SPEED
SENSOR AND SPEEDOMETER CABLES
- RFSV ONLY**

PERENTIE LAND ROVER PARTS LIST

ITEM	QNA/2/1 PART NO.	INSTRUMENT PANEL, GAUGES, SPEED SENSOR & SPEEDOMETER - RFSV ONLY DESCRIPTION	NSN	DERIVATIVE CODE							CP
				2188	2189	2190	2191	2192	2194	2195	
1	AZ610081	SCREW-DRIVE	5305-66-128-4599								5
2	WL105001L	WASHER-LOCK	5310-99-977-1102								5
3	AFU1218L	WASHER-PLAIN	5310-66-128-4600								5
4	CZA4705L	LOKUT NUT	5310-66-128-4604								5
5	MTC2808	COWL-INSTRUMENT PANEL	2540-66-128-4993								1
6	AJ608031	NUT-SPRING	5310-99-137-6549								4
7	WF703084	WASHER-LOCK	5310-66-128-4605								4
8	AB608044L	SCREW	5305-99-977-3255								4
9	MUC7598	STIFFENER	2540-66-128-4994								1
10	WA104004L	WASHER-PLAIN	5310-99-550-3198								2
11	AB608065	SCREW-DRIVE	5305-66-128-4725								2
12	MTC5458	PANEL-INSTRUMENTS	5975-66-128-4993								1
13	MWC9322	U-NUT	5310-66-128-6197								2
14	MUC3394	DRIVE SCREW	5305-66-128-5246								2
15	PRC6043	CABLE-SPEEDO-LOWER	6680-66-128-6196								1
16	NSS										
17	NSS										
18	PRC4497	SENSOR-SPEED	6680-66-128-6194								1
19	PRC6037	CABLE-SPEEDO-UPPER	6680-66-128-6195								1
20	NSS										
21	NSS										
22	NSS										
23	AYG9754	VOLTMETER	6620-66-128-4359								1
24	NSS										
25	HYL8640	GLOBE-12V,2W	6240-66-011-5042								1
26	NSS										
27	NSS										
28	HYG4503	PANEL KIT-BLACKOUT	2540-66-128-6020								1
29	NSS										

GROUP QNA/2



**INSTRUMENT PANEL, GAUGES, SPEED
SENSOR AND SPEEDOMETER CABLES
- RFSV ONLY.**

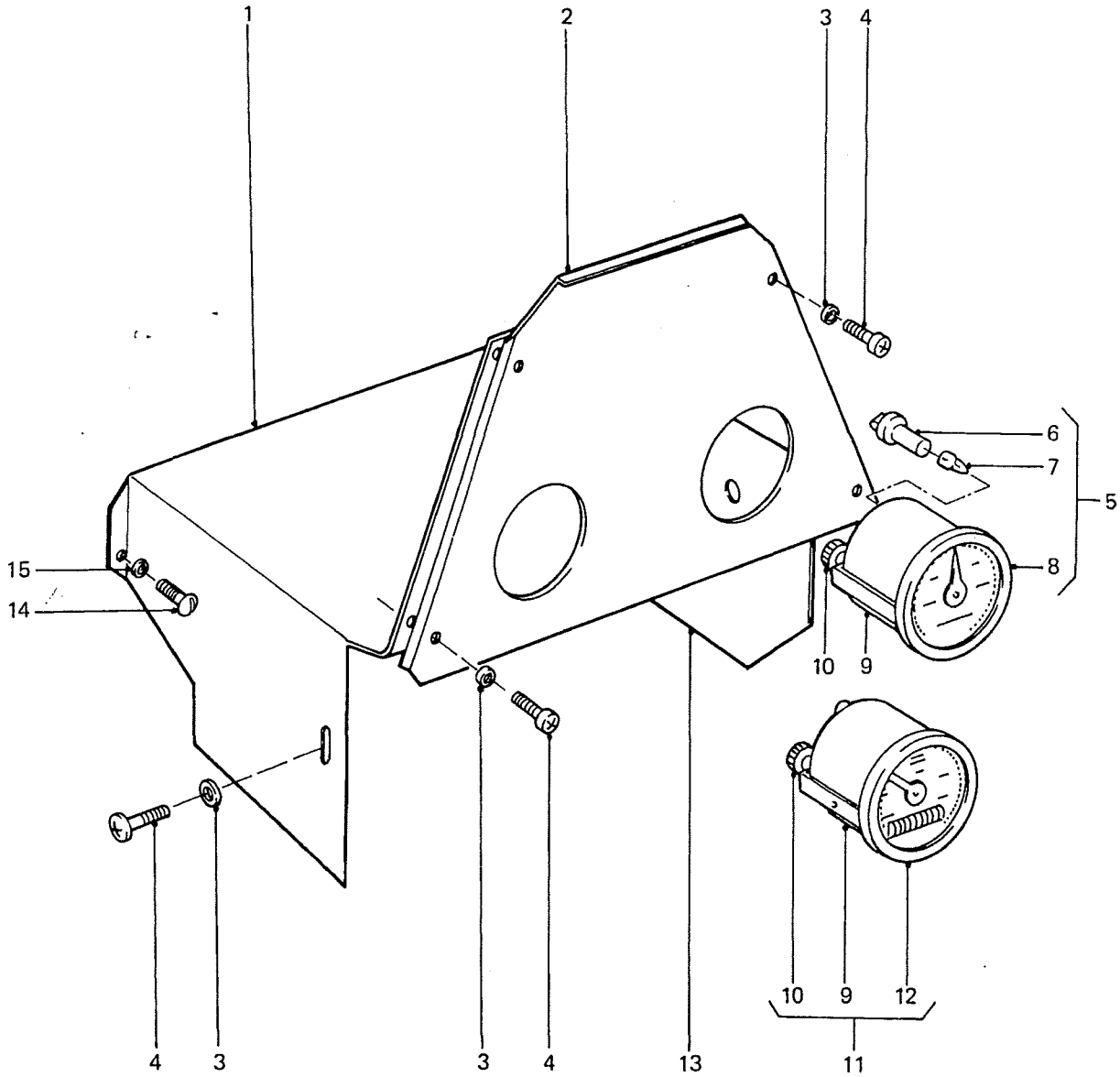
PERENTIE LAND ROVER PARTS LIST

ITEM	PART NO.	DESCRIPTION	NSN	DERIVATIVE CODE							CP
				2188	2189	2190	2191	2192	2194	2195	
30	NSS										
31	NSS										
32	AYG9753	GAUGE-WATER TEMPERATURE	6625-66-128-4360							1	
33	AYG9756	GAUGE FUEL	6680-66-109-1748							1	
34	PRC6657	MODULE-WARNING LAMP	2540-66-128-5006							1	
35	AEU2722	HOLDER-BULB								18	
36	RTC3635	GLOBE	6240-99-995-4499							17	
37	AEU2721	PRINTED CIRCUIT BOARD	5999-99-797-3850							1	
38	NSS										
39	NSS										
40	NSS										
41	PRC7374	SPEEDOMETER	6680-66-128-5018							1	
42	NSS										
43	NSS										
44	NSS										
45	PRC2980	BRACKET-SPEEDO CABLE								1	
46	PRC3180	CLIP	5340-66-128-4611							1	
47	PRC2979	BRACKET-SPEEDO CABLE								1	
48	PRC2709	BRACKET								1	
49	R79121	CLIP	2910-99-825-6380							2	
50	MTC6006	LABEL-HEATER	9905-66-128-5028							1	
51	MTC6007	LABEL-FAN	9905-66-128-5029							1	
	MYH3265	SLEEVE-INSTRUMENT LIGHTS	6220-66-128-5007							3	
	MYH3316	BULB-LOW FUEL WARNING LIGHT	6240-66-128-5005							1	
	BFS501	BULB-SPEEDOMETER	6240-99-995-2312							2	

CHANGE POINT

ARN INTRODUCTION

GROUP QNB



CENTRE INSTRUMENT PANEL – FFR VEHICLES ONLY

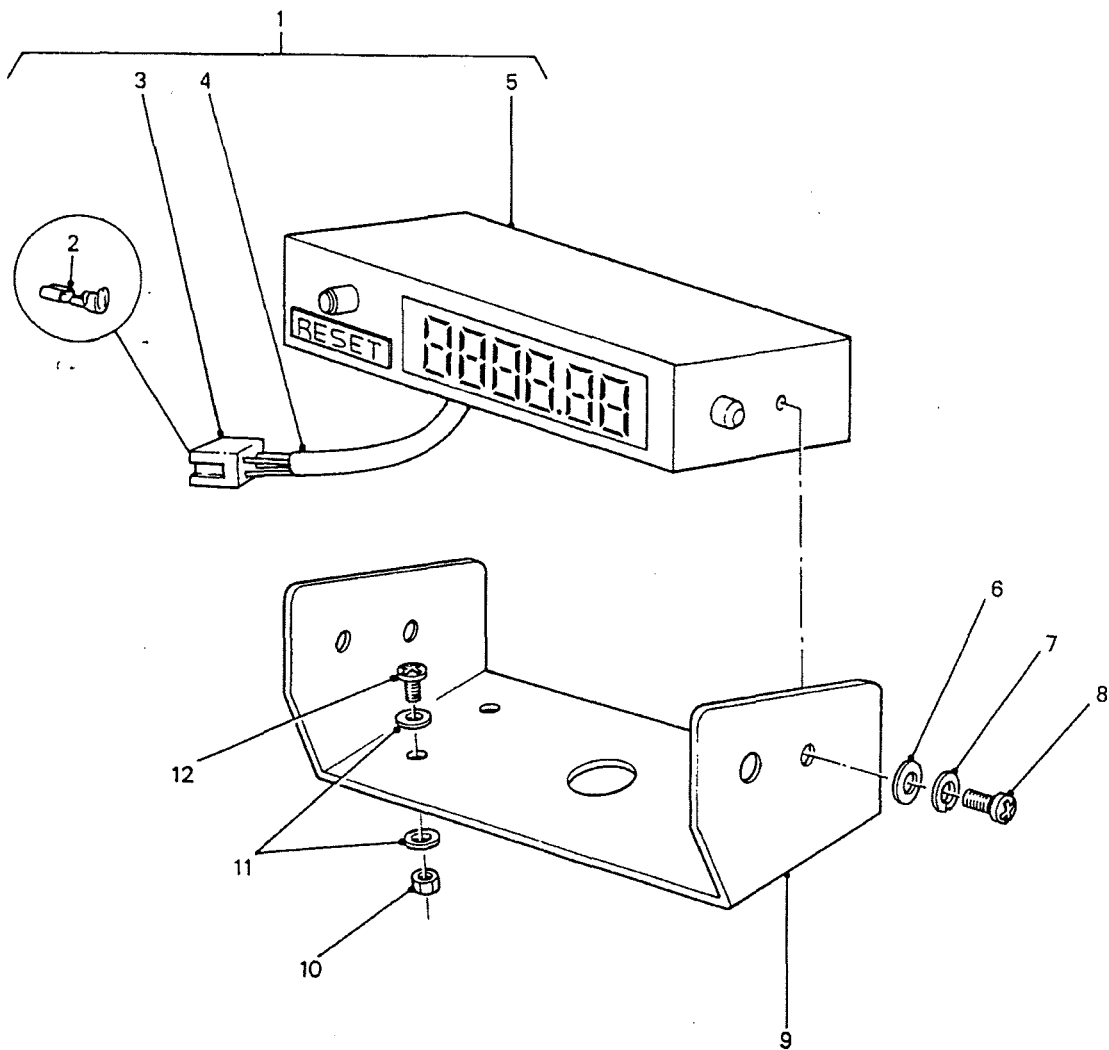
PERENTIE LAND ROVER PARTS LIST

ITEM	PART NO.	DESCRIPTION	NSN	DERIVATIVE CODE										
				2188	2189	2190	2191	2192	2194	2195	2207	CP		
1	HYG3538	COVER-PANEL RH				1	1	1						
2	HYG3282	PANEL-INSTRUMENTS				1	1	1						
3	WL105001L	WASHER-LOCK	5310-99-977-1102			6	6	6						
4	SE105204	SCREW	5305-66-128-4955			6	6	6						
5	AYG9757	AMMETER	6625-66-100-8329			1	1	1						
6	HYL8812	HOLDER-BULB				1	1	1						
7	HYL8640	GLOBE-12V,2W	6240-66-011-5042			1	1	1						
8	NSS													
9	NSS													
10	NSS													
11	AYG9755	HOURLMETER	6645-66-098-2760			1	1	1						
12	NSS													
13	HYG3539	COVER-PANEL LH				1	1	1						
14	AB608055L	SCREW				2	2	2						
15	AFU1248	WASHER-PLAIN-PLASTIC	5310-66-128-4907			2	2	2						

CHANGE POINT

ARN INTRODUCTION

GROUP QNC



**TRIP METER
- RFSV ONLY**

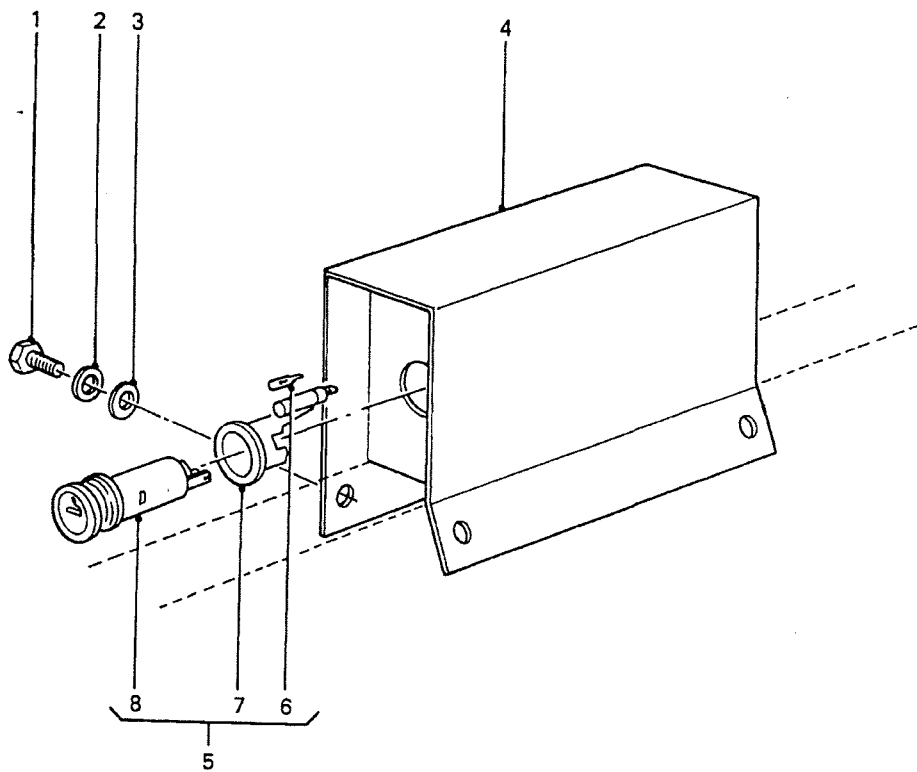
PERENTIE LAND ROVER PARTS LIST

ITEM	PART NO.	DESCRIPTION	NSN	DERIVATIVE CODE							CP
				2188	2189	2190	2191	2192	2194	2195	
1	BYG9096	TRIPMETER ASSY	6625-66-128-6233								1
2	NSS										
3	NSS										
4	NSS										
5	NSS										
6	WA104004L	WASHER-PLAIN									3
7	WL104004	WASHER-LOCK	5310-99-977-1102								3
8	SE104124	SCREW									3
9	HYG4089	BRACKET-METER									1
10	NY105041L	NUT-NYLOC									4
11	WA105001L	WASHER-PLAIN									8
12	SE105121L	SCREW	5305-99-135-0429								4
	MM104301	RIVNUT (PART OF ITEM 1)									1
	MYH3587	GROMMET-TRIPMETER HARNESS-FACIA MOULDING									1

CHANGE POINT

ARN INTRODUCTION

GROUP QND



**CIGAR LIGHTER AND MOUNTING
– RFSV ONLY**

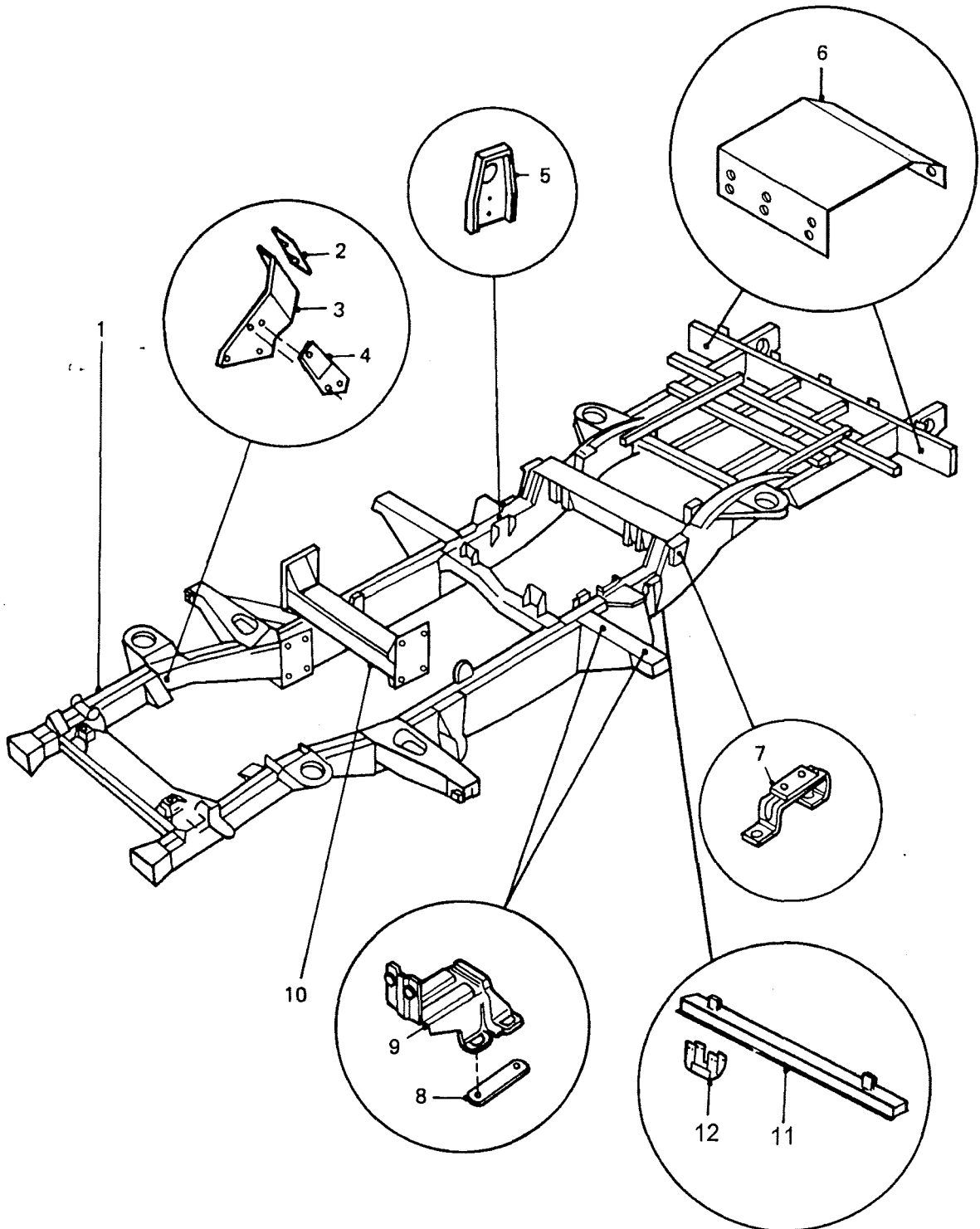
PERENTIE LAND ROVER PARTS LIST

QND/1/1 CIGAR LIGHTER AND MOUNTING - RFSV ONLY

ITEM	PART NO.	DESCRIPTION	NSN	DERIVATIVE CODE								CP
				2188	2189	2190	2191	2192	2194	2195	2207	
1	FS108201	SCREW										4
2	WL108001L	WASHER-LOCK	5310-99-137-9231									4
3	WA108051L	WASHER-PLAIN	5310-99-122-6475									4
4	BYG9106	MOUNTING-AUX. POWER SOCKET										1
4	BYG9257	MOUNTING-AUX. POWER SOCKET										1 01
5	PRC4524	CIGAR LIGHTER										1
6	RTC3635	GLOBE	6240-99-995-4499									1
7	NSS											
8	DRC8398	UNIT-C/LIGHTER										1

<u>CHANGE POINT</u>	<u>ARN INTRODUCTION</u>
1	51-629

GROUP RA

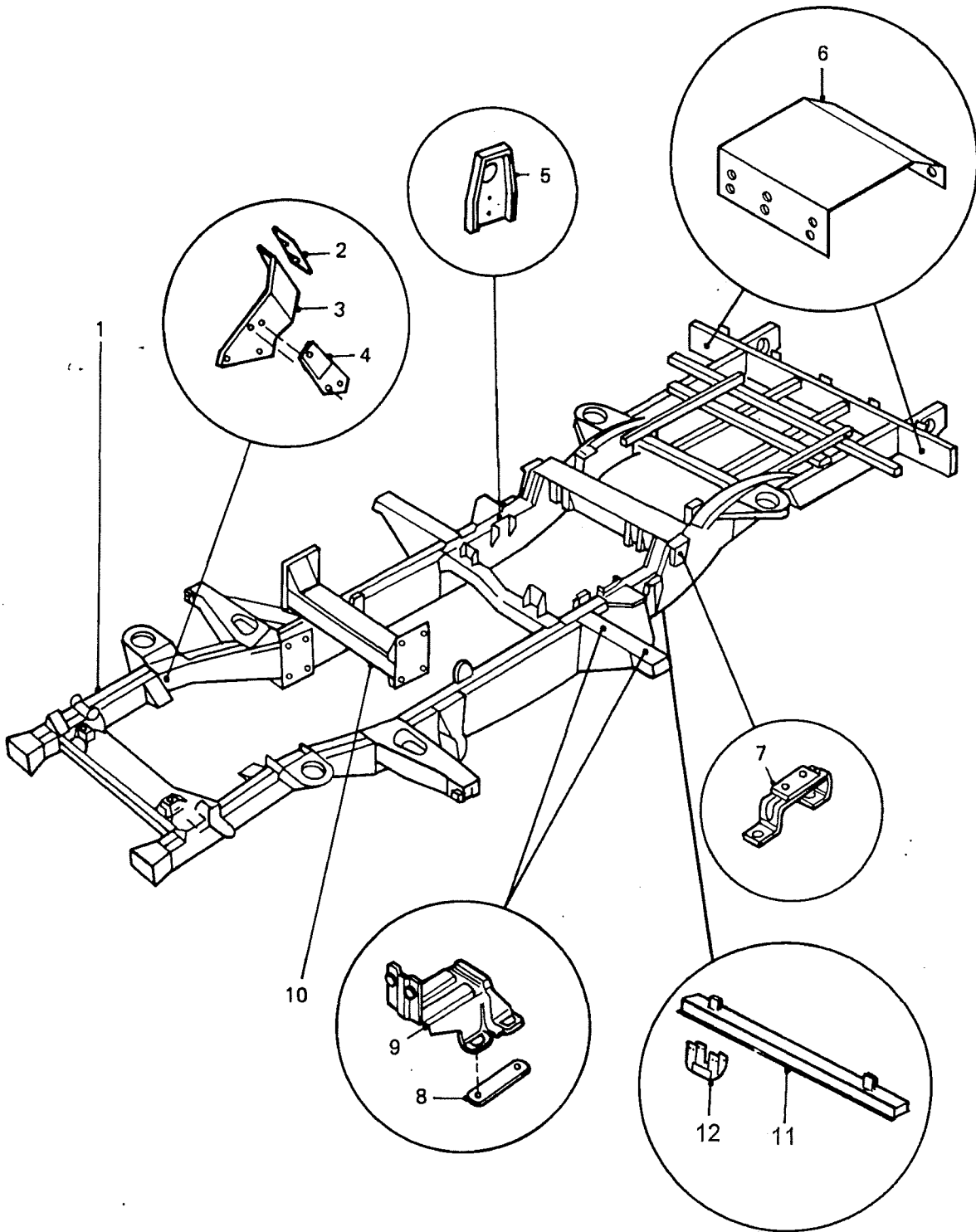


CHASSIS FRAME AND MOUNTING BRACKETS

PERENTIE LAND ROVER PARTS LIST

ITEM	RA /1/1 PART NO.	DESCRIPTION	NSN	DERIVATIVE CODE								
				2188	2189	2190	2191	2192	2194	2195	2207	CP
1	AYG8631	CHASSIS-ASSY-EXCEPT RFSV		1	1	1	1	1	1	1		
1	BYG5196	CHASSIS-ASSY-RFSV ONLY										1
2	NRC7131	PACKING PIECE		6	6	6	6	6	6	6	6	6
3	NRC7436	TOE BOX SUPPORT-RH		1	1	1	1	1	1	1	1	1
3	HYG1924	TOE BOX SUPPORT-LH		1	1	1	1	1	1	1	1	1
	WC108051L	WASHER-PLAIN		4	4	4	4	4	4	4	4	4
	BH108201L	BOLT-TOE BOX SUPPORT TO CHASSIS	5306-99-122-5263	4	4	4	4	4	4	4	4	4
	R3663	WASHER-PLAIN		4	4	4	4	4	4	4	4	4
	WL108001L	WASHER-LOCK	5310-99-137-9231	4	4	4	4	4	4	4	4	4
	FN108041	NUT -	5310-99-499-8033	4	4	4	4	4	4	4	4	4
	AFU1499	BOLT-TOE BOX SUPPORTS TO DASH		4	4	4	4	4	4	4	4	4
	WC108051L	WASHER-PLAIN		4	4	4	4	4	4	4	4	4
	WL108001L	WASHER-LOCK	5310-99-137-9231	4	4	4	4	4	4	4	4	4
	FN108041	NUT	5310-99-499-8033	4	4	4	4	4	4	4	4	4
4	NRC7164	BRIDGE PLATE-LH		1	1	1	1	1	1	1	1	1
4	NRC7165	BRIDGE PLATE-RH		1	1	1	1	1	1	1	1	1
	FS108251	SCREW-BRIDGE PLATES TO TOE BOX SUPPORTS	5305-99-122-5367	4	4	4	4	4	4	4	4	4
	WA108051L	WASHER-PLAIN	5310-99-122-6475	8	8	8	8	8	8	8	8	8
	WL108001L	WASHER-LOCK	5310-99-137-9231	4	4	4	4	4	4	4	4	4
	FN108041	NUT	5310-99-499-8033	4	4	4	4	4	4	4	4	4
	FS108251	SCREW-BRIDGE PLATES TO WHEELARCH	5305-99-122-5367	2	2	2	2	2	2	2	2	2
	WA108051L	WASHER-PLAIN	5310-99-122-6475	4	4	4	4	4	4	4	4	4
	WL108001L	WASHER-LOCK	5310-99-137-9231	2	2	2	2	2	2	2	2	2
	FN108041	NUT	5310-99-499-8033	2	2	2	2	2	2	2	2	2

GROUP RA

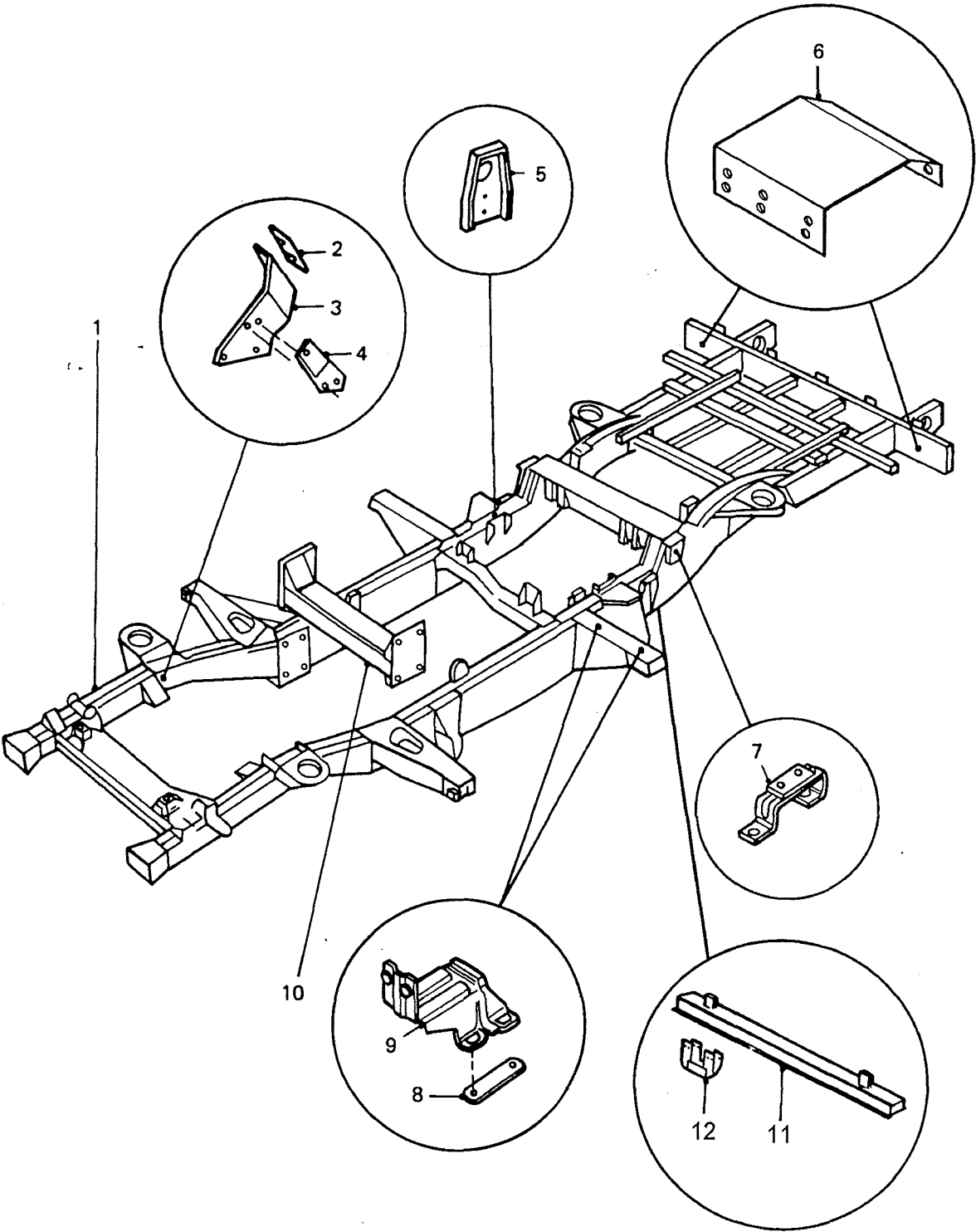


CHASSIS FRAME AND MOUNTING BRACKETS

PERENTIE LAND ROVER PARTS LIST

ITEM	RA /1/1 PART NO.	CHASSIS FRAME AND MOUNTING BRACKETS DESCRIPTION	NSN	DERIVATIVE CODE								CP
				2188	2189	2190	2191	2192	2194	2195	2207	
5	NRC4661	BRACKET-SUPPORT		2	2	2	2	2				2
	FS106201	SCREW-BRACKETS TO CHASSIS	5305-99-122-5361	6	6	6	6	6				6
	WA106041L	WASHER-PLAIN	5310-66-098-4440	6	6	6	6	6				6
	WL106001L	WASHER-LOCK	5310-99-137-9232	6	6	6	6	6				6
6	AYG9833	SHIELD-HARNESS		2	2	2	2	2	2	2	2	2
7	NRC5478	BRACKET-SUPPORT		2	2	2	2	2				2
	FS108251	SCREW-BRACKETS TO CHASSIS	5305-99-122-5367	4	4	4	4	4				4
	WA108051L	WASHER-PLAIN	5310-99-122-6475	8	8	8	8	8				8
	FN108041	NUT	5310-99-499-8033	4	4	4	4	4				4
8	NRC4693	SPREADER PLATE		8	8	8	8	8	8	8	8	8
	FS106201	SCREW-BODY MOUNTING BRACKETS TO CHASSIS	5305-99-122-5361	16	16	16	16	16	16	16	16	16
	WC106041L	WASHER-PLAIN	5310-99-122-3411	16	16	16	16	16	16	16	16	16
	WL106001L	WASHER-LOCK	5310-99-137-9232	16	16	16	16	16	16	16	16	16
	NH106041L	NUT	5310-66-098-4401	16	16	16	16	16	16	16	16	16
9	NRC7053	BRACKET -BODY MOUNTING								4	4	
10	BYG5405	CROSSMEMBER-DETACHABLE		1	1	1	1	1	1	1	1	1
11	HYG2352	CROSSMEMBER-BODY MOUNTING								1	1	
	FB108041L	BOLT-CROSSMEMBER TO FRAME								4	4	
	WA108051L	WASHER-PLAIN	5310-99-122-6475							8	8	
	FN108041	NUT	5310-99-499-8033							4	4	
12	HYG2353	REINFORCEMENT-CROSSMEMBER								1	1	
	FS108201	SCREW-REINFORCEMENT TO BODY MOUNTING CROSSMEMBER								7	7	

GROUP RA



CHASSIS FRAME AND MOUNTING BRACKETS

PERENTIE LAND ROVER PARTS LIST

RA /1/1

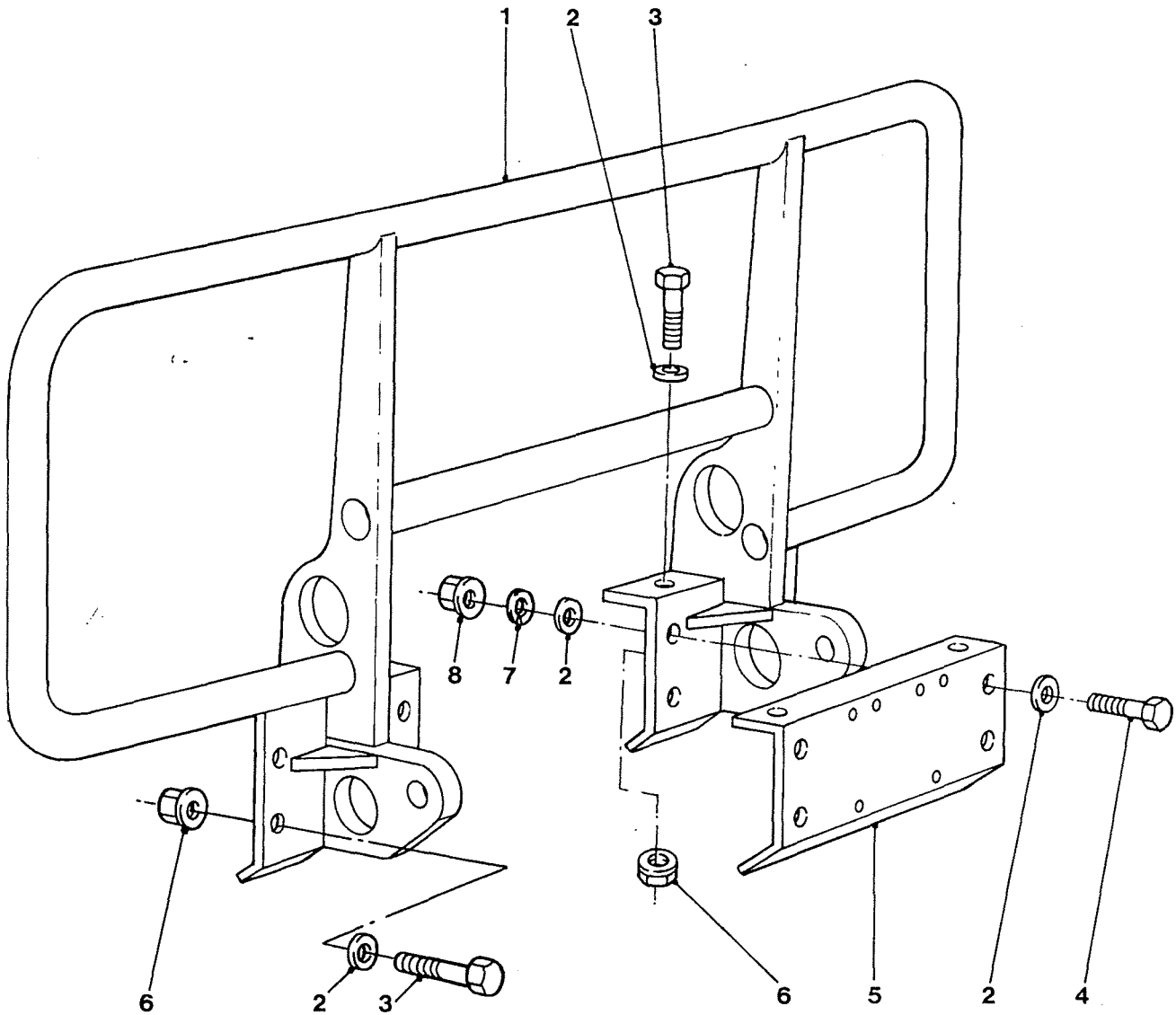
CHASSIS FRAME AND MOUNTING BRACKETS

<u>ITEM</u>	<u>PART NO.</u>	<u>DESCRIPTION</u>	<u>NSN</u>	<u>DERIVATIVE CODE</u>								<u>CP</u>
				<u>2188</u>	<u>2189</u>	<u>2190</u>	<u>2191</u>	<u>2192</u>	<u>2194</u>	<u>2195</u>	<u>2207</u>	
	WA108051L	WASHER-PLAIN	5310-99-122-6475							7	7	
	WL108001L	WASHER-LOCK	5310-99-137-9231							7	7	
	FN108041	NUT	5310-99-499-8033							7	7	
	HYG1622	BRACKET-SLING AND TOW-REAR-RH		1	1	1	1	1	1	1	1	1
	HYG1623	BRACKET-SLING AND TOW-REAR-LH		1	1	1	1	1	1	1	1	1

CHANGE POINT

ARN INTRODUCTION

GROUP RB/1



BRUSHGUARD AND MOUNTINGS

PERENTIE LAND ROVER PARTS LIST

RB /1/1

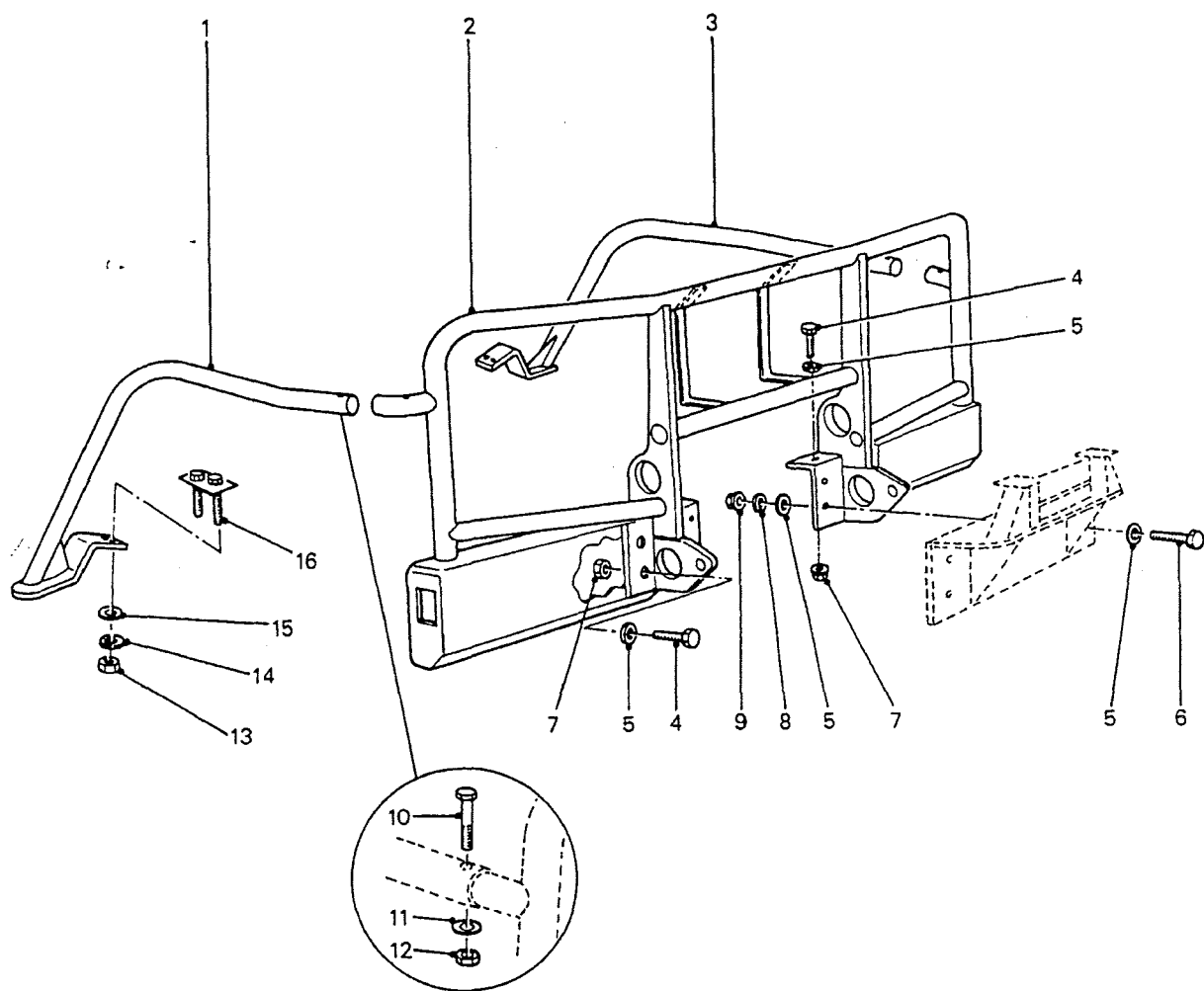
BRUSHGUARD AND MOUNTINGS

<u>ITEM</u>	<u>PART NO.</u>	<u>DESCRIPTION</u>	<u>NSN</u>	<u>DERIVATIVE CODE</u>								
				<u>2188</u>	<u>2189</u>	<u>2190</u>	<u>2191</u>	<u>2192</u>	<u>2194</u>	<u>2195</u>	<u>2207</u>	<u>CP</u>
1	BYG5422	BRUSH GUARD		1	1	1	1	1	1	1		
2	WA112081L	WASHER-PLAIN	5310-99-122-6477	12	12	12	12	12	12	12		
3	MYH3320	SCREW	5305-66-128-4620	12	12	12	12	12	12	12		
4	FN112041	NUT	5310-66-128-4585	12	12	12	12	12	12	12		
5	HYG2726	MOUNTING-CHANNEL -FRONT NUMBER PLATE		1		1					1	

CHANGE POINT

ARN INTRODUCTION

GROUP RB/2



**BRUSHGUARD AND SIDE PROTECTORS
- RFSV ONLY**

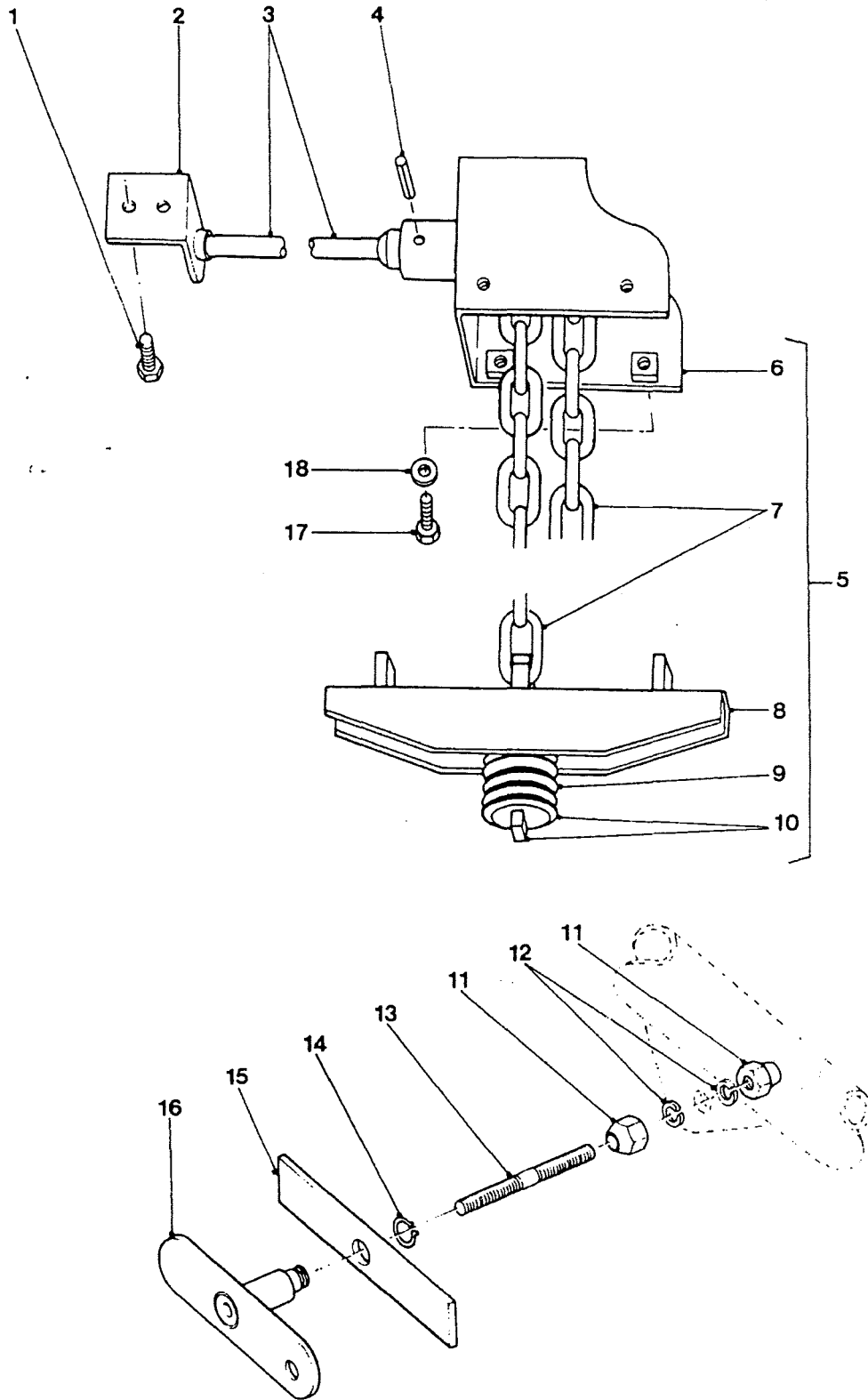
PERENTIE LAND ROVER PARTS LIST

<u>ITEM</u>	<u>PART NO.</u>	<u>DESCRIPTION</u>	<u>NSN</u>	<u>DERIVATIVE CODE</u>							<u>CP</u>	
				<u>2188</u>	<u>2189</u>	<u>2190</u>	<u>2191</u>	<u>2192</u>	<u>2194</u>	<u>2195</u>		<u>2207</u>
1	HYG4492	BAR-SIDE PROTECTION-RH	2540-66-128-6147									1
2	AYG8805	BRUSHGUARD	2540-66-128-6151									1
3	HYG4493	BAR-SIDE PROTECTION-LH	2540-66-128-6146									1
4	MYH3320	SCREW	5305-66-128-4620									12
5	WA112081L	WASHER-PLAIN	5310-99-122-6477									12
6	FN112041	NUT	5310-66-128-4585									12
7	BH108121L	BOLT	5306-99-122-6453									2
8	WA108051L	WASHER-PLAIN	5310-99-122-6475									2
9	NY108041L	NUT-NYLOC	5310-99-122-5496									2
10	FN108041	NUT	5310-99-499-8033									8
11	WL108001L	WASHER-LOCK	5310-99-137-9231									4
12	WC108051L	WASHER-PLAIN										4
13	HYG4614	PLATE-STUD	2540-66-128-6227									2

CHANGE POINT

ARN INTRODUCTION

GROUP RC SHEET 1



SPARE WHEEL MOUNTINGS

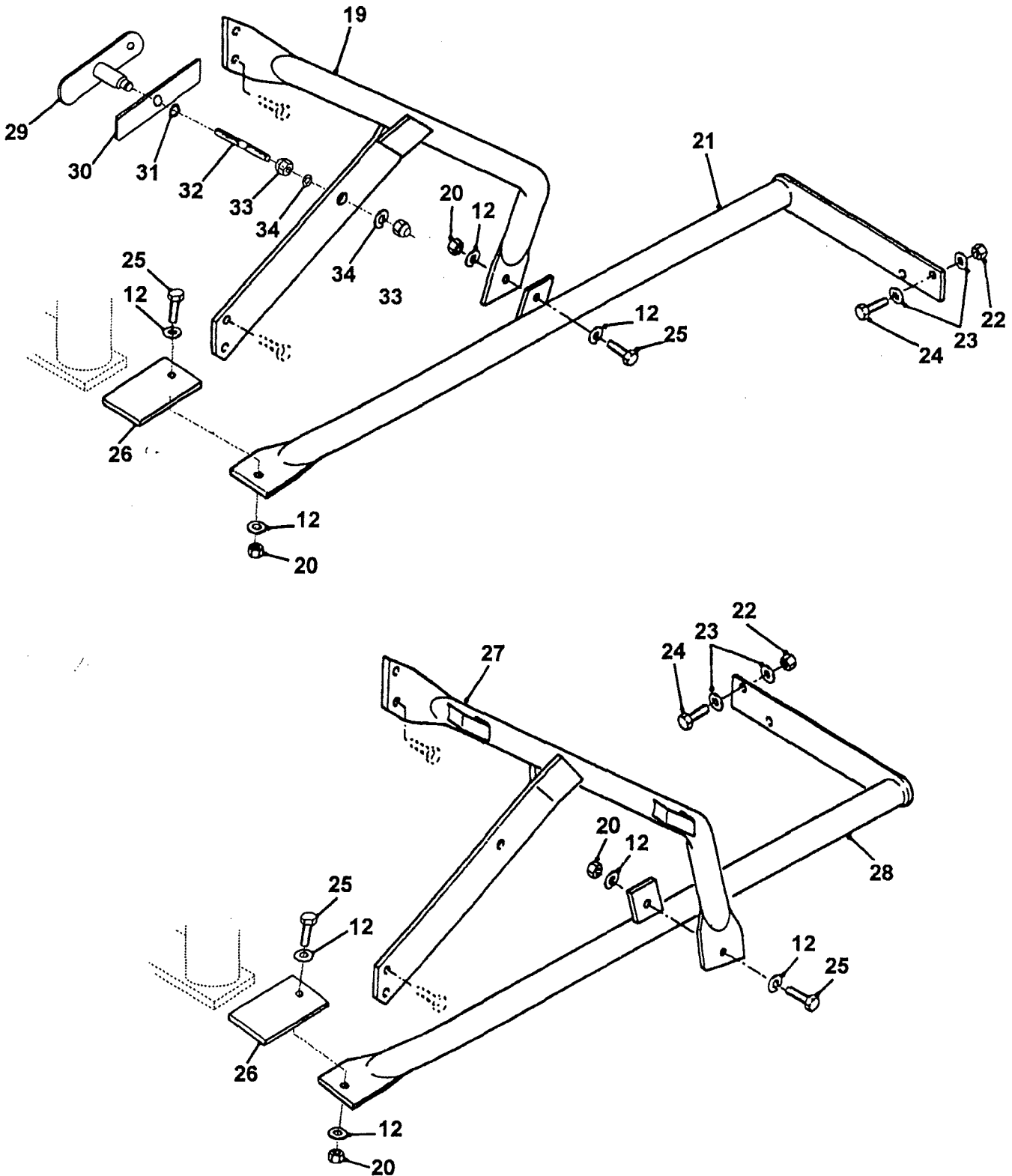
PERENTIE LAND ROVER PARTS LIST

ITEM	RC /1/1 PART NO.	SPARE WHEEL MOUNTINGS DESCRIPTION	NSN	DERIVATIVE CODE								CP
				2188	2189	2190	2191	2192	2194	2195	2207	
1	MYH3337	SCREW	5305-66-128-5341	2	2	2	2	2	2	2	2	2
2	AYG8110	STEADIER-SHAFT ASSY TO CHASSIS		1	1	1	1	1	1	1	1	1
3	AYG8537	SHAFT-LIFTING	3040-66-128-4807	1	1	1	1	1	1	1	1	1
4	PA110401	PIN-SPRING	5315-66-128-4616	1	1	1	1	1	1	1	1	1
5	AYG8070	HANGER-ASSY	2590-66-128-4805	1	1	1	1	1	1	1	1	1
6	NSS											
7	NSS											
8	NSS											
9	NSS											
10	NSS											
11	90577473	NUT	5310-99-819-1858									4
12	WL116001L	WASHER-LOCK	5310-99-135-4579									4
13	HYG3983	STUD	5307-66-128-6203									2
14	CR120245	CIRCLIP	5365-66-128-6202									2
15	HYG3733	CLAMP PLATE										2
16	HYG3748	CLAMP ASSY										2
17	SH110201L	SCREW	5305-99-122-4909	4	4	4	4	4	4	4	4	4
18	WL110001L	WASHER-LOCK	5310-99-138-9228	4	4	4	4	4	4	4	4	4

CHANGE POINT

ARN INTRODUCTION

GROUP RC SHEET 2



**SPARE WHEEL MOUNTINGS
– LOW SILHOUETTE STYLE – RFSV ONLY**

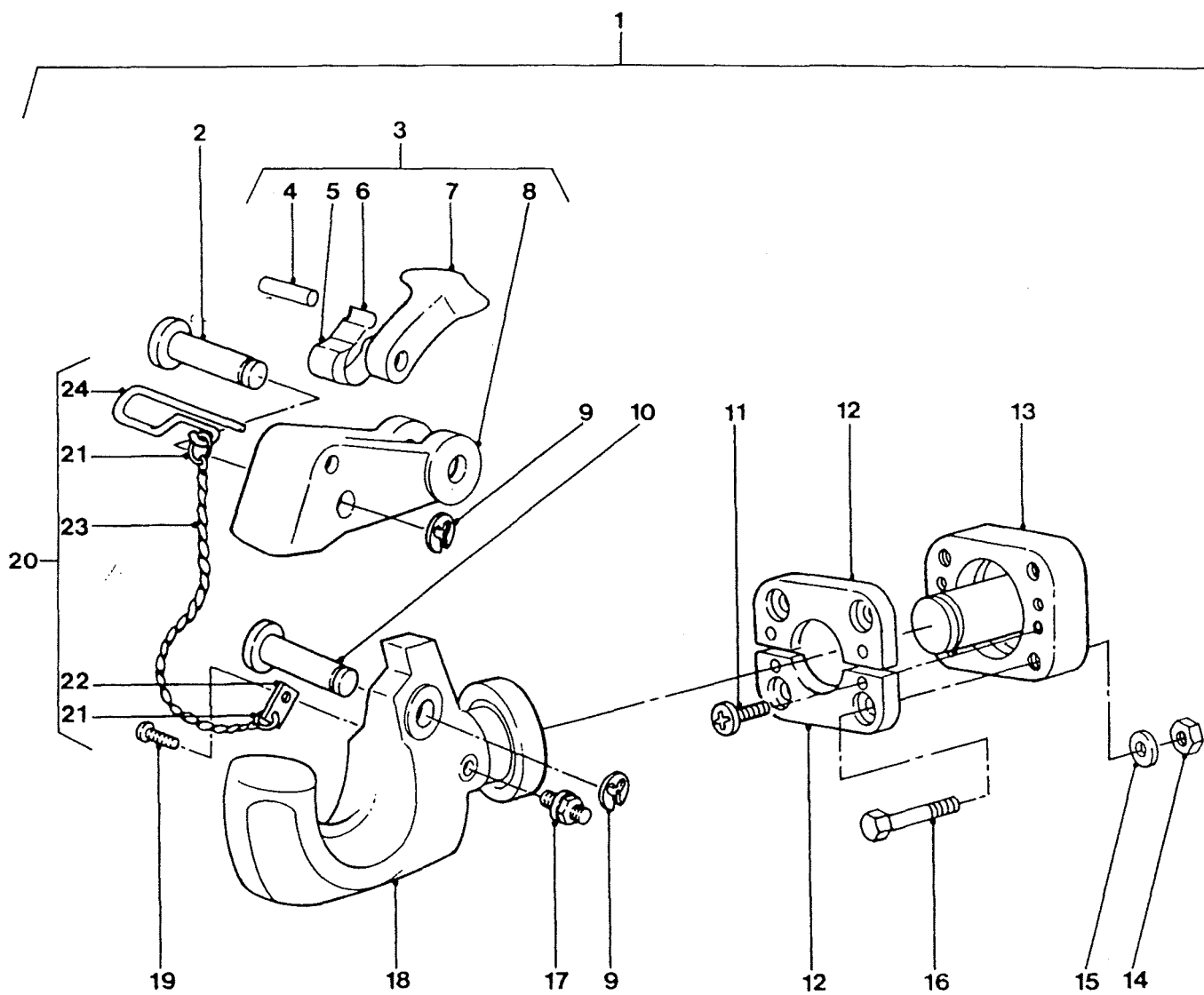
PERENTIE LAND ROVER PARTS LIST

ITEM	RC /1/2 PART NO.	DESCRIPTION	NSN	DERIVATIVE CODE							CP
				2188	2189	2190	2191	2192	2194	2195	
12	WL116001L	WASHER-LOCK	5310-99-135-4579								8
19	HYG5902	UPPER TUBE ASSY-RH									1
20	NY110041L	NUT-NYLOC	5310-99-122-5497								4
21	HYG5904	LOWER TUBE ASSY-RH									1
22	NY108041L	NUT-NYLOC	5310-99-122-5496								4
23	WC108051L	WASHER-PLAIN	5310-99-122-6475								8
24	FB108061	BOLT	5306-99-122-5253								4
25	BH110071L	BOLT	5306-99-122-2772								4
26	HYG5906	ADAPTOR PLATE-SIDE BAR TO LOWER TUBE									2
27	HYG5903	UPPER TUBE ASSY-LH									1
28	HYG5905	LOWER TUBE ASSY-LH									1
29	HYG3748	CLAMP PLATE									2
30	HYG3733	CLAMP PLATE									2
31	CR120245	CIRCLIP	5365-66-128-6202								2
32	HYG3983	STUD	5307-66-128-6203								2
33	90577473	NUT	5310-99-819-1858								4
34	WL116001L	WASHER-LOCK	5310-99-135-4579								4

CHANGE POINT

ARN INTRODUCTION

GROUP RD



TOWING PINTLE

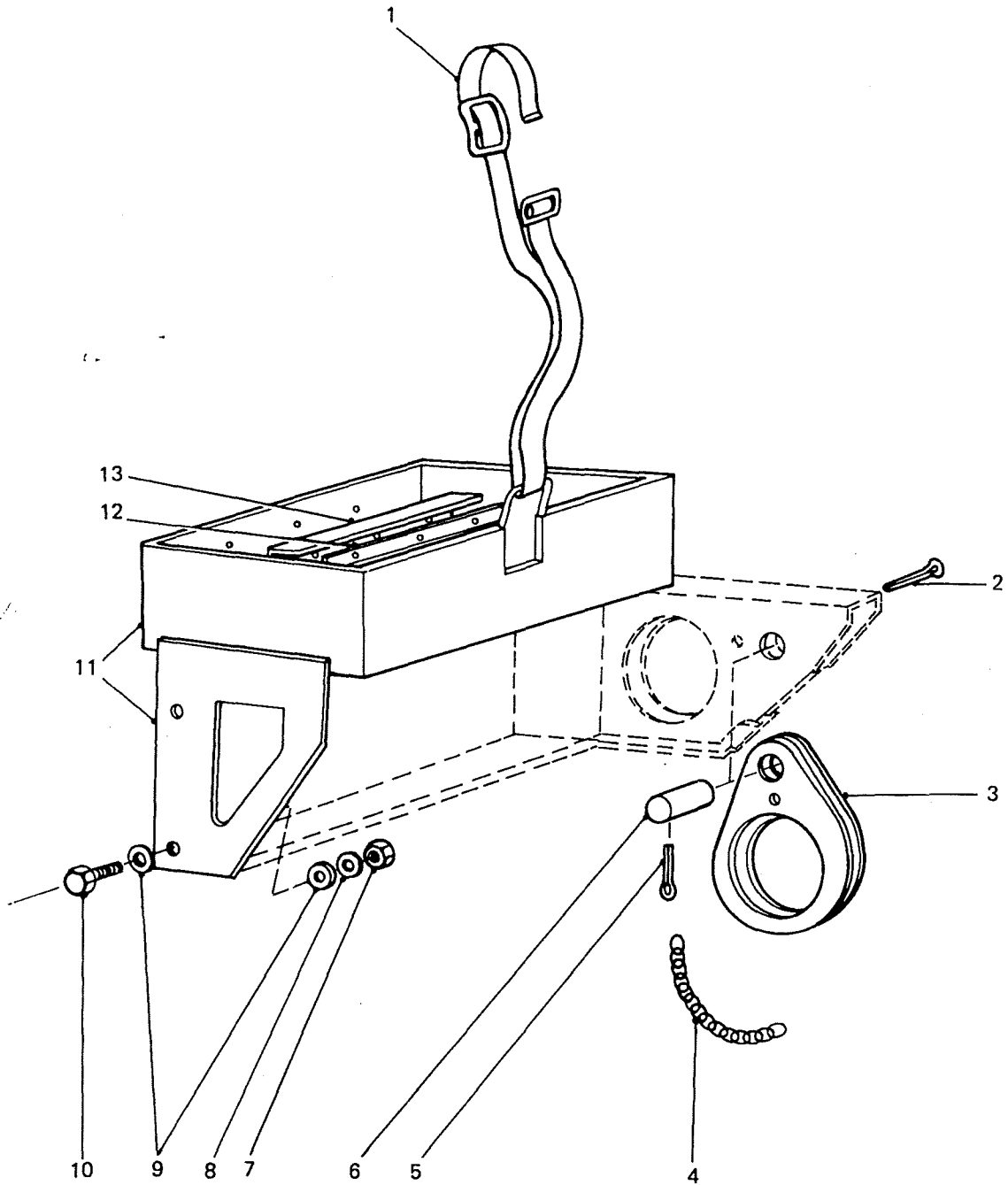
PERENTIE LAND ROVER PARTS LIST

<u>ITEM</u>	<u>PART NO.</u>	<u>DESCRIPTION</u>	<u>NSN</u>	<u>DERIVATIVE CODE</u>								
				<u>2188</u>	<u>2189</u>	<u>2190</u>	<u>2191</u>	<u>2192</u>	<u>2194</u>	<u>2195</u>	<u>2207</u>	<u>CP</u>
1	HYG3354	TOWING PINTLE	2540-66-128-5861	1	1	1	1	1	1	1	1	1
2	HYL8721	PIN	2540-99-825-6111	1	1	1	1	1	1	1	1	1
3	HYL8712	LOCK ASSY	2540-99-825-6550	1	1	1	1	1	1	1	1	1
4	HYL8904	PIN		1	1	1	1	1	1	1	1	1
5	HYL8905	SPRING-LATCH		1	1	1	1	1	1	1	1	1
6	HYL8906	SPRING-LATCH		1	1	1	1	1	1	1	1	1
7	HYL8907	LATCH-PINTLE	2540-66-052-4711	1	1	1	1	1	1	1	1	1
8	HYL8908	LOCK-PINTLE	2540-66-128-5062	1	1	1	1	1	1	1	1	1
9	HYL8909	CLIP	5365-66-128-5764	2	2	2	2	2	2	2	2	2
10	HYL8720	PIN	2540-99-825-6112	1	1	1	1	1	1	1	1	1
11	HYL8911	SCREW	5305-00-068-8431	4	4	4	4	4	4	4	4	4
12	HYL8912	PLATE		2	2	2	2	2	2	2	2	2
13	HYL8913	HOUSING		1	1	1	1	1	1	1	1	1
14	NV112041	NUT-LOCK	5310-99-139-9037	4	4	4	4	4	4	4	4	4
15	WA112081L	WASHER-PLAIN	5310-99-122-6477	4	4	4	4	4	4	4	4	4
16	BH112141L	BOLT	5306-99-122-2792	4	4	4	4	4	4	4	4	4
17	HYL8910	NIPPLE	4730-12-124-1663	1	1	1	1	1	1	1	1	1
18	HYL8914	HOOK-TOWING		1	1	1	1	1	1	1	1	1
19	HYL8717	SCREW	5305-00-514-7484	1	1	1	1	1	1	1	1	1
20	HYL8718	CHAIN ASSY	4010-99-838-5427	1	1	1	1	1	1	1	1	1
21	HYL8916	RING		2	2	2	2	2	2	2	2	2
22	HYL8918	TAG		1	1	1	1	1	1	1	1	1
23	HYL8915	CHAIN-80MM LONG		1	1	1	1	1	1	1	1	1
24	HYL8917	PIN	5315-99-838-5428	1	1	1	1	1	1	1	1	1

CHANGE POINT

ARN INTRODUCTION

GROUP RE/1



REAR TIE-DOWN AND JERRICAN STOWAGE

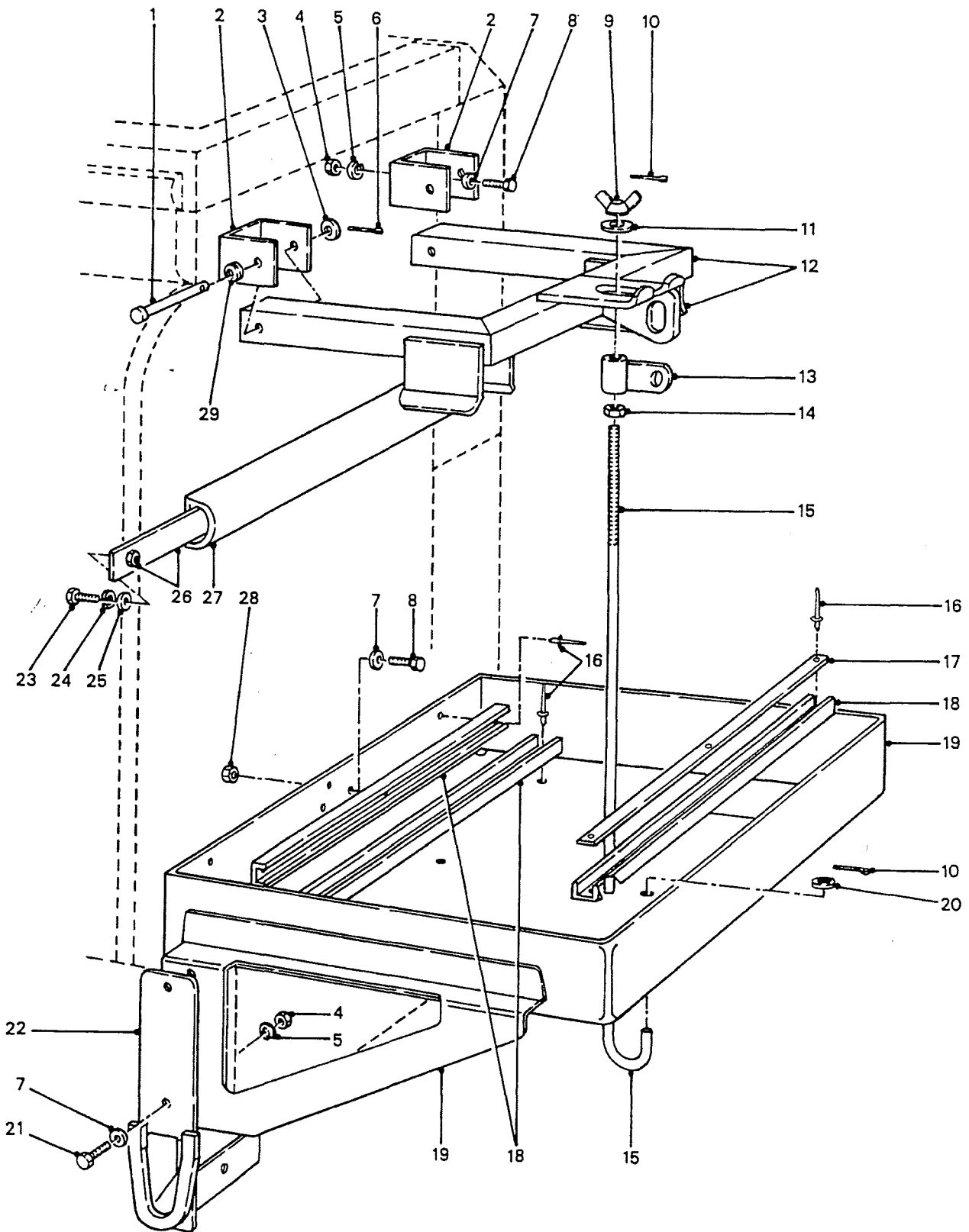
PERENTIE LAND ROVER PARTS LIST

ITEM	RE /1/1 PART NO.	REAR TIE-DOWN AND JERRICAN STOWAGE DESCRIPTION	NSN	DERIVATIVE CODE							
				2188	2189	2190	2191	2192	2194	2195	2207 CP
1	HYG2521	BELT ASSY-JERRYCAN	5340-66-128-4621	2	2	2	2	2	2	2	2
2	PS610111	SPLIT PIN	5315-66-097-0351	2	2	2	2	2	2	2	2
3	HYG1481	SLING ARM	2540-66-128-4814	2	2	2	2	2	2	2	2
4	HYG5168	CHAIN-BRASS	4010-66-128-4707	2	2	2	2	2	2	2	2
5	PS616161	SPLIT PIN	5315-66-128-4622	2	2	2	2	2	2	2	2
6	HYG501	CLEVIS PIN	5315-66-128-4623	2	2	2	2	2	2	2	2
7	FN108041	NUT	5310-99-499-8033	4	4	4	4	4	4	4	4
8	WL108001L	WASHER-LOCK	5310-99-137-9231	4	4	4	4	4	4	4	4
9	WC108051L	WASHER-PLAIN		8	8	8	8	8	8	8	8
10	FS108201	SCREW		4	4	4	4	4	4	4	4
11	HYG2526	HOLDER ASSY-RH	2510-66-128-4817	1	1	1	1	1	1	1	1
11	HYG2527	HOLDER ASSY-LH	2510-66-128-4816	1	1	1	1	1	1	1	1
12	HYG2652	STRIP-CLAMPING		2	2	2	2	2	2	2	2
13	HYG2543	BUFFER STRIP	9320-66-128-4708	2	2	2	2	2	2	2	2
	RU612373L	POP RIVET-BUFFER STRIP	5320-99-120-9002	6	6	6	6	6	6	6	6
	NY910041L	NUT-NYLOC-JERRYCAN BRKT TO SLING ARM	5310-66-128-4629	2	2	2	2	2	2	2	2
	SE910241L	SCREW-JERRYCAN BRKT TO SLING ARM	5305-99-941-8357	2	2	2	2	2	2	2	2

CHANGE POINT

ARN INTRODUCTION

GROUP RE/2

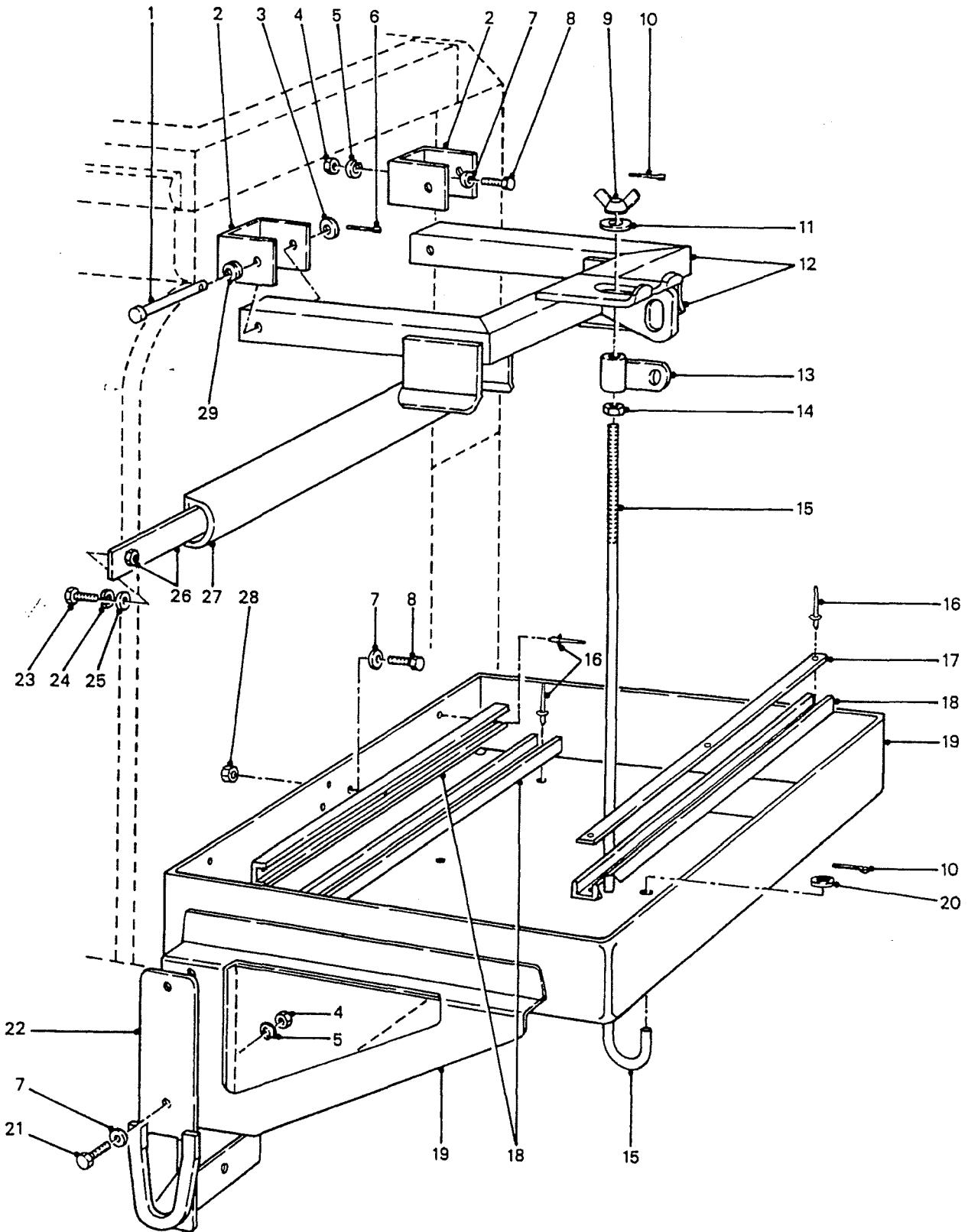


**JERRICAN STOWAGE, HI - LIFT JACK
MOUNTING POINT AND REAR TIE - DOWN
- RFSV ONLY**

PERENTIE LAND ROVER PARTS LIST

ITEM	RE /2/1 PART NO.	DESCRIPTION	NSN	DERIVATIVE CODE							CP
				2188	2189	2190	2191	2192	2194	2195	
1	PC108721	PIN-CLEVIS	5315-99-793-3166								4
2	HYG3742	BRACKET-PIVOT									4
3	WA108051L	WASHER-PLAIN	5310-99-122-6475								4
4	FN108041	NUT	5310-99-499-8033								10
5	WL108001L	WASHER-LOCK	5310-99-137-9231								10
6	PS104121L	SPLIT PIN	5315-66-128-5104								4
7	WC108051L	WASHER-PLAIN									14
8	FS108201	SCREW									8
9	NA112011	NUT-WING	5310-66-128-6221								2
10	PS610111	SPLIT PIN	5315-66-128-4622								4
11	WJ112001	WASHER-PLAIN	5310-66-128-5548								2
12	HYG3743	CLAMP-ASSY	2510-66-128-6160								2
13	HYG4432	TRUÑION	2510-66-128-6159								2
14	NH112041L	NUT									2
15	HYG3744	BOLT-J	5306-66-128-6220								2
16	RU612373L	POP RIVET	5320-99-120-9002								18
17	HYG2652	STRIP-CLAMPING									6
18	HYG2543	BUFFER STRIP	9320-66-128-4708								6
19	HYG3740	HOLDER-JERRYCAN-RH	2510-66-128-6156								1
19	HYG3741	HOLDER-JERRYCAN-LH	2510-66-128-6157								1
20	WC112081L	WASHER-PLAIN	5310-99-122-6477								2
21	FS108251	SCREW	5305-99-122-5367								6
22	AYG8810	MOUNTING-HI-LIFT JACK-RH									1
22	AYG8811	MOUNTING-HI LIFT JACK-LH									1
23	FS106201	SCREW	5305-99-122-5361								4
24	WL106001L	WASHER-LOCK	5310-99-137-9232								4
25	WA106041L	WASHER-PLAIN	5310-66-098-4440								4
26	HYG3115	PLATE-STRIP									2

GROUP RE/2



**JERRICAN STOWAGE, HI - LIFT JACK
MOUNTING POINT AND REAR TIE - DOWN
- RFSV ONLY**

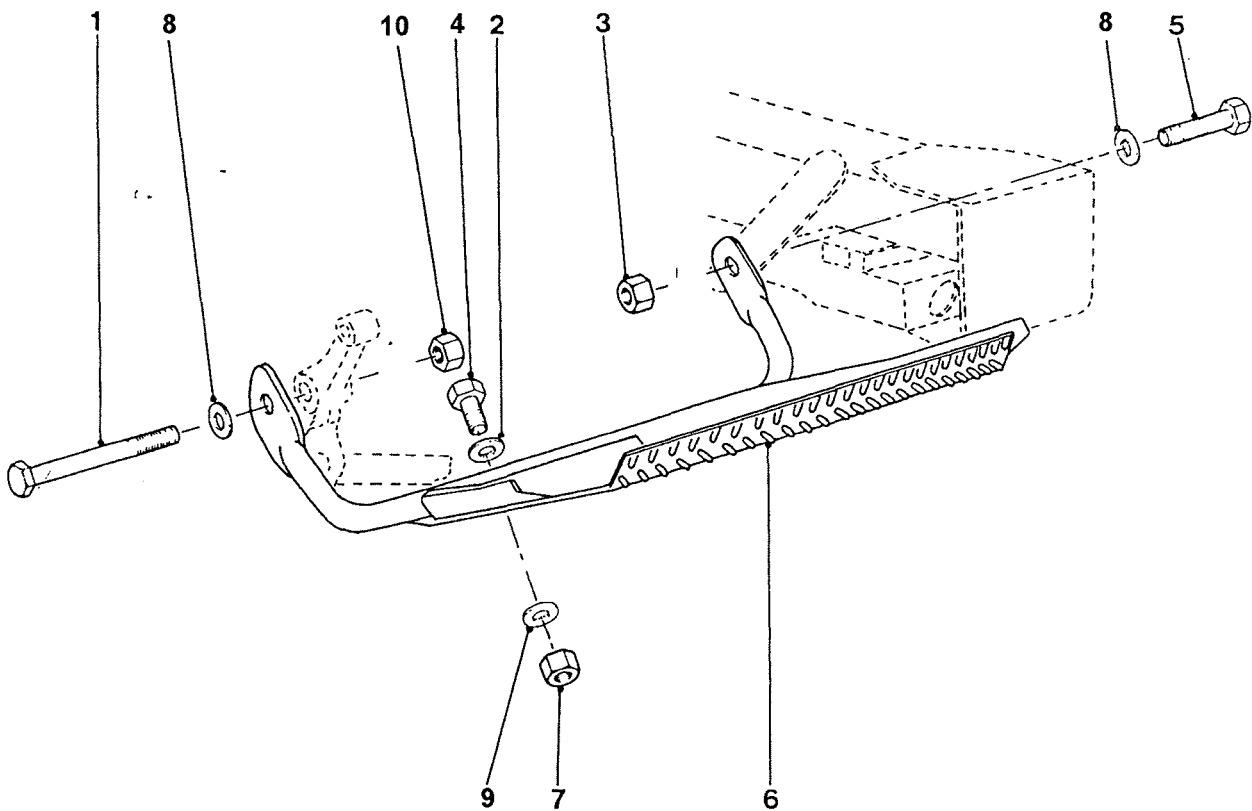
PERENTIE LAND ROVER PARTS LIST

RE /2/1		JERRYCAN STOWAGE, HI-LIFT JACK MOUNTING POINT & REAR TIE DOWN - RFSV												
<u>ITEM</u>	<u>PART NO.</u>	<u>DESCRIPTION</u>	<u>NSN</u>	<u>DERIVATIVE CODE</u>								<u>CP</u>		
				<u>2188</u>	<u>2189</u>	<u>2190</u>	<u>2191</u>	<u>2192</u>	<u>2194</u>	<u>2195</u>	<u>2207</u>			
27	HYG3114	STRIP-RUBBER	5330-66-128-5190											2
28	NY108041L	NUT-NYLOC	5310-99-122-5496											4
29	WA108051L	WASHER-PLAIN	5310-99-122-6475											4
30	PS616161	SPLIT PIN	5315-66-097-0351											2
31	HYG1481	SLING ARM	2540-66-128-4814											2
32	HYG5168	CHAIN-BRASS	4010-66-128-4707											2
33	PS610111	SPLIT PIN	5315-66-128-4622											2
34	HYG501	CLEVIS PIN	5315-66-128-4623											2

CHANGE POINT

ARN INTRODUCTION

GROUP RF



STEERING PROTECTOR

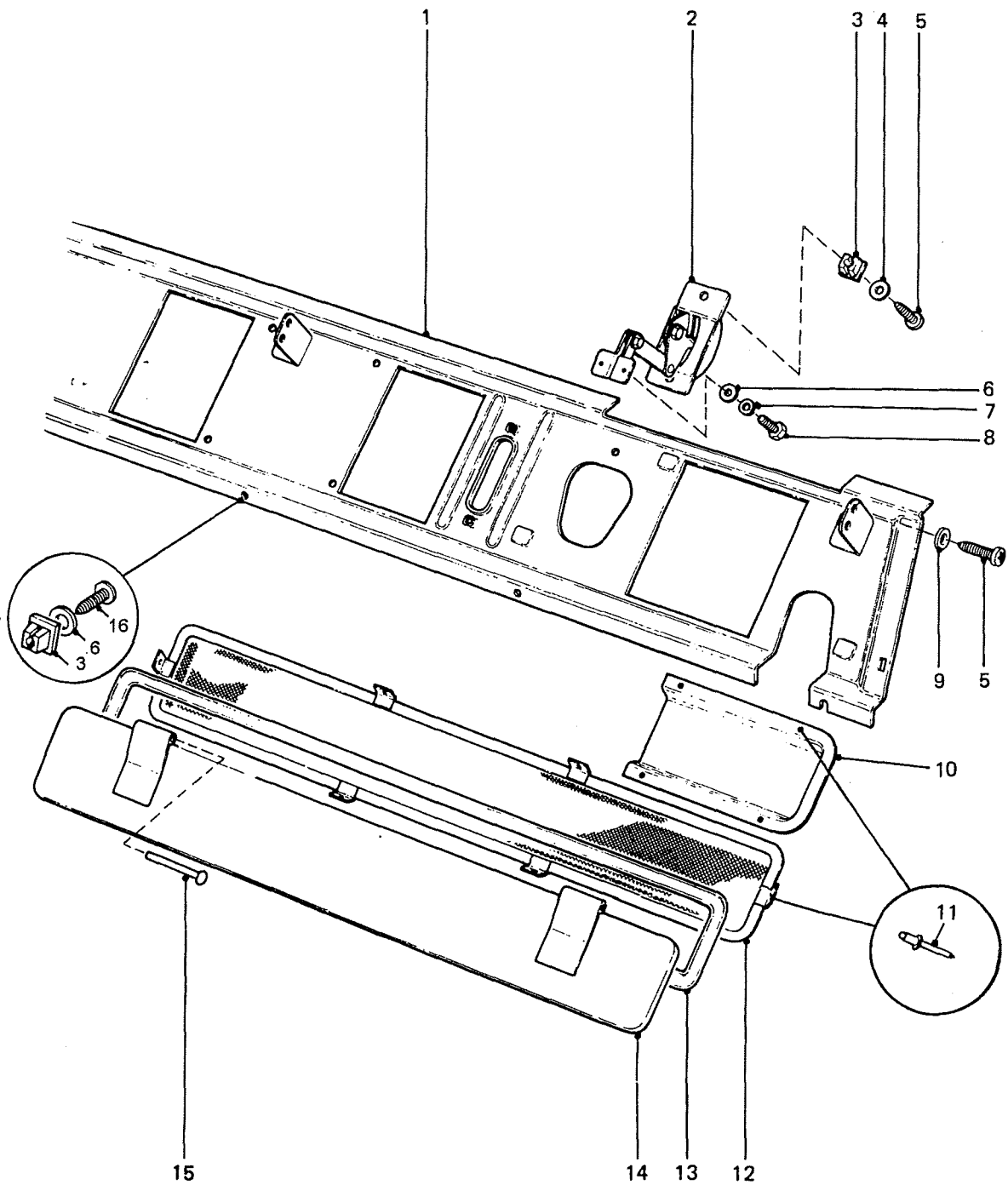
PERENTIE LAND ROVER PARTS LIST

<u>ITEM</u>	<u>RF /1/1</u> <u>PART NO.</u>	<u>STEERING PROTECTOR</u> <u>DESCRIPTION</u>	<u>NSN</u>	<u>DERIVATIVE CODE</u>								<u>CP</u>
				<u>2188</u>	<u>2189</u>	<u>2190</u>	<u>2191</u>	<u>2192</u>	<u>2194</u>	<u>2195</u>	<u>2207</u>	
1	R253948	BOLT	5306-99-941-8136	1	1	1	1	1	1	1	1	1
2	WA112081L	WASHER-PLAIN	5310-99-122-6477	2	2	2	2	2	2	2	2	2
3	NY112041L	NUT-NYLOC	5310-99-768-7269	1	1	1	1	1	1	1	1	1
4	SH112301L	SCREW		2	2	2	2	2	2	2	2	2
5	BH112221	BOLT		1	1	1	1	1	1	1	1	1
6	BYG5288	GUARD-STEERING	2540-66-128-6023	1	1	1	1	1	1	1	1	1
7	NY112041L	NUT-NYLOC	5310-99-768-7269	2	2	2	2	2	2	2	2	2
8	WC112081L	WASHER-PLAIN	5310-99-122-6477	3	3	3	3	3	3	3	3	3
9	WL112001L	WASHER-LOCK	5310-66-128-5111	2	2	2	2	2	2	2	2	2
10	NY608041L	NUT-NYLOC	5310-99-943-4300	2	2	2	2	2	2	2	2	2

CHANGE POINT

ARN INTRODUCTION

GROUP SAA



DASH VENTILATOR

PERENTIE LAND ROVER PARTS LIST

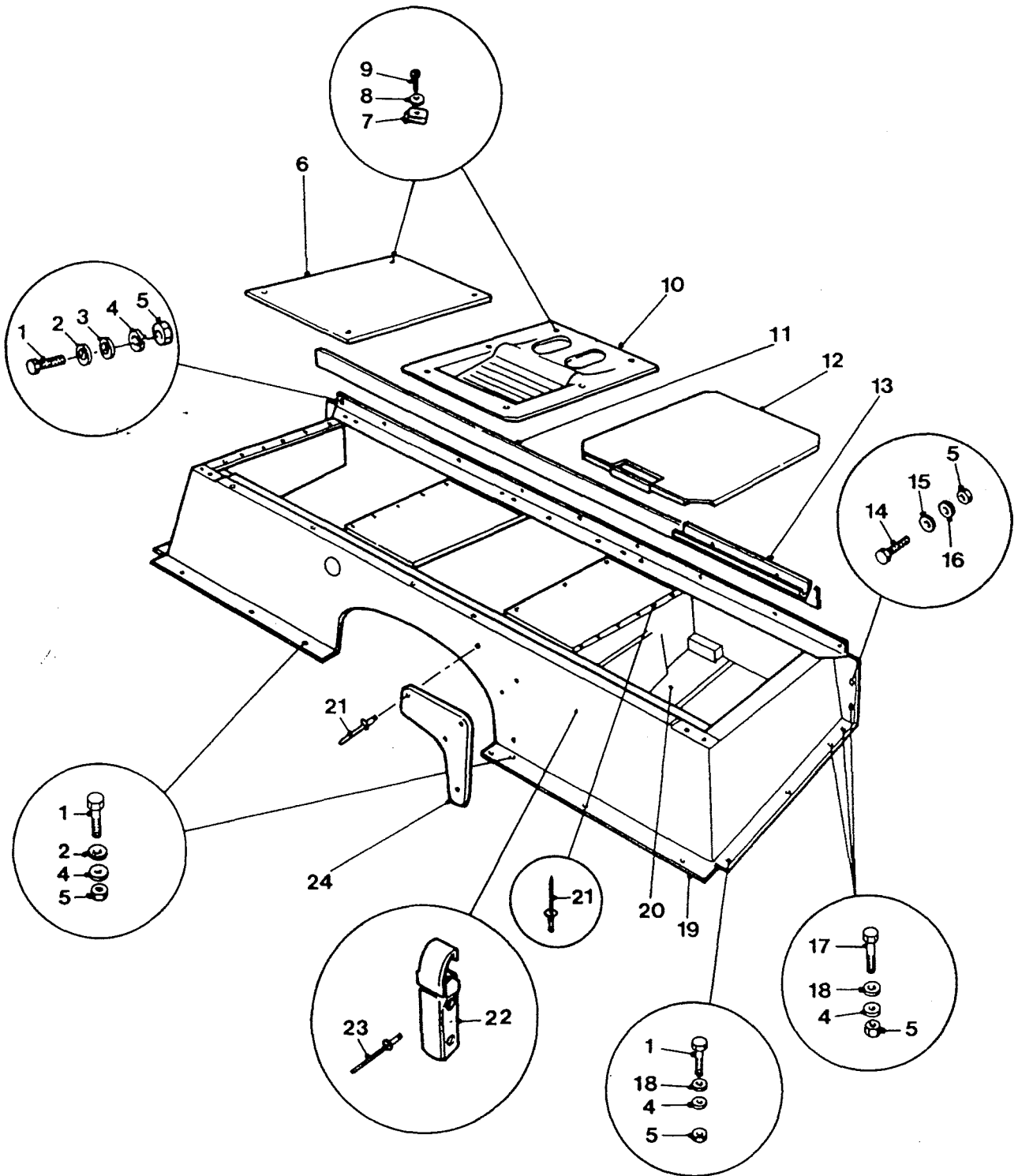
ITEM	SAA/1/1 PART NO.	DASH VENTILATOR DESCRIPTION	NSN	DERIVATIVE CODE								CP
				2188	2189	2190	2191	2192	2194	2195	2207	
1	MTC4144	FRONT PLATE		1	1	1	1	1	1	1	1	
1	MXC8574	FRONT PLATE		1	1	1	1					1 01
	WA105001L	WASHER-PLAIN-FRONT PLATE TO DASH	5310-99-122-3032	3	3	3	3	3	3	3	3	3
2	R346576	VENTILATOR CONTROL MECHANISM	2510-99-824-3041	2	2	2	2	2	2	2	2	2
3	RTC3745	LOKUT NUT	5310-99-137-6356	8	8	8	8	8	8	8	8	8
4	AFU1257	WASHER-PLAIN	5310-66-128-4630	4	4	4	4	4	4	4	4	4
5	AB608047	SCREW		12	12	12	12	12	12	12	12	12
6	WC105001L	WASHER		9	9	9	9	9	9	9	9	9
7	WL105001L	WASHER-LOCK	5310-99-977-1102	4	4	4	4	4	4	4	4	4
8	SH105121L	SCREW	5305-99-122-8664	4	4	4	4	4	4	4	4	4
9	WA105001L	WASHER		6	6	6	6	6	6	6	6	6
10	MTC2799	SPLASH-PANEL-LH		1	1	1	1	1	1	1	1	1
11	RA610123	POP RIVET	5320-66-128-5337	10	10	10	10	10	10	10	10	10
12	R395185	FLYSCREEN-VENTILATOR		2	2	2	2	2	2	2	2	2
13	MUC4299	SEAL	5330-99-742-2260	2	2	2	2	2	2	2	2	2
14	RTC6212	LID-VENT-RH		1	1	1	1	1	1	1	1	1
14	RTC6211	LID-VENT-LH		1	1	1	1	1	1	1	1	1
14	ALR1618	LID-VENT-RH		1	1	1	1	1				1 02
14	ALR1619	LID-VENT-LH		1	1	1	1	1				1 02
	MRC8626	SEAL-VENT LIDS	9330-99-721-4452	2	2	2	2	2	2	2	2	2
15	R334121	HINGE PIN	5320-99-845-0181	4	4	4	4	4	4	4	4	4
16	AB608054L	SCREW	5305-66-128-4655	5	5	5	5	5	5	5	5	5

CHANGE POINT

ARN INTRODUCTION

1	51-581 R.F.S.V.
1	50-380 SOFT TOP CARGO
2	51-452 SOFT TOP CARGO
2	51-737 R.F.S.V.

GROUP SAB

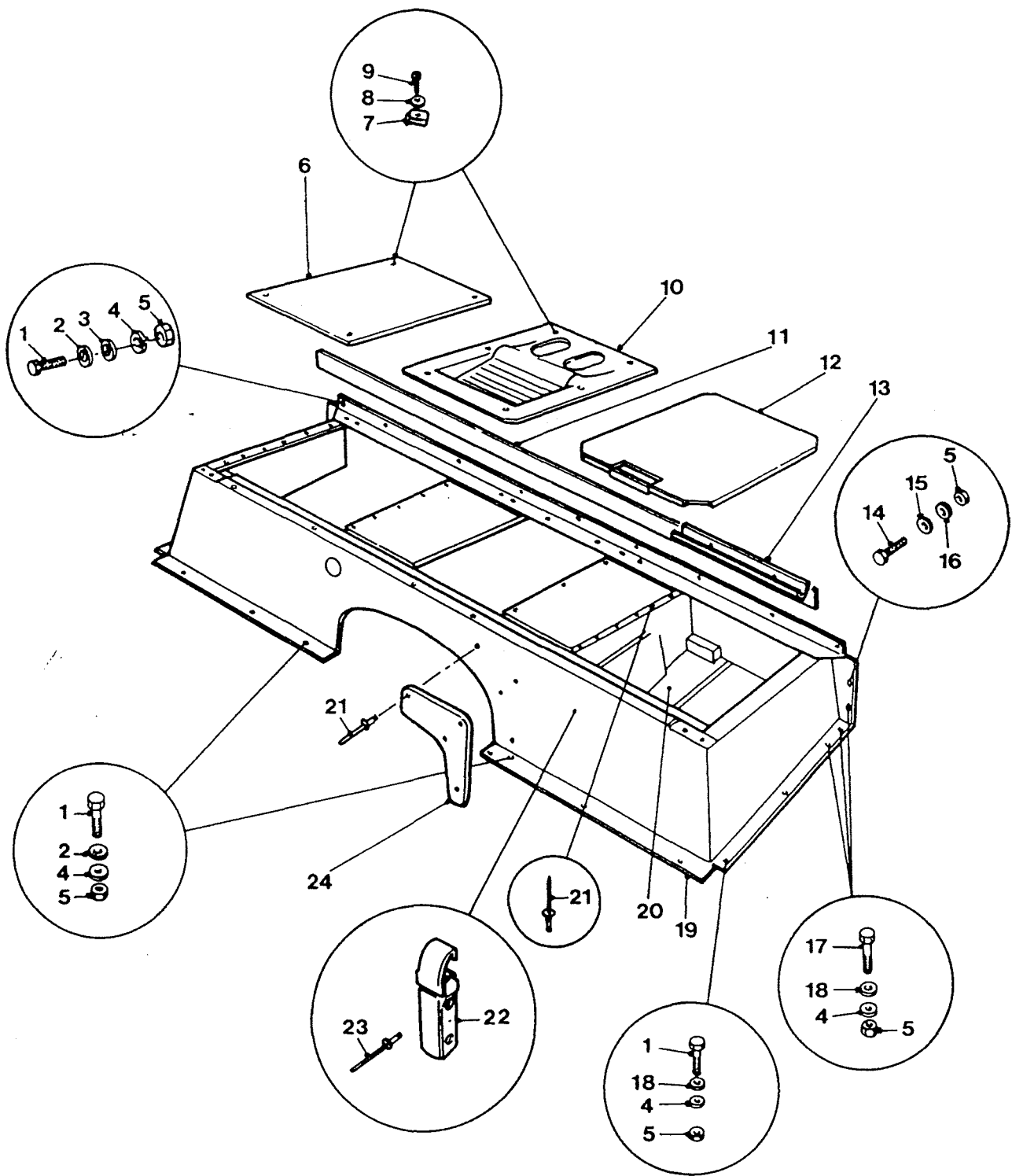


SEAT BASE AND FITTINGS

PERENTIE LAND ROVER PARTS LIST

ITEM	PART NO.	DESCRIPTION	NSN	DERIVATIVE CODE								CP
				2188	2189	2190	2191	2192	2194	2195	2207	
1	FS106201	SCREW	5305-99-122-5361	17	17	17	17	17	17	17	17	
2	MRC5525	WASHER-PLAIN	5310-99-754-3600	18	18	18	18	18	18	18	18	
4	WL106001L	WASHER-LOCK	5310-99-137-9232	15	15	15	15	15	15	15	15	
5	NH106041L	NUT	5310-66-098-4401	19	19	19	19	19	19	19	19	
6	MUC4496	LOCKER LID-RH	2540-66-128-4818	1	1	1	1	1	1	1		
6	MXC7373	LOCKER LID-RH		1	1	1	1					1 01
7	53K3039L	SPIRE NUT	5310-66-128-4632	11	11	11	11	11	11	11	11	
8	AFU1256	WASHER-PLAIN	5130-66-128-5173	12	12	12	12	12	12	12	12	
9	AB610055	SCREW	5305-99-120-5723	6	6	6	6	6	6	6	6	
10	HYG3415	COVER-BOX	2540-66-128-5859	1	1	1	1	1	1	1	1	
11	MRC8626	SEAL	9330-99-721-4452	1	1	1	1	1	1	1	1	
12	MXC7481	COVER-BATTERY	2540-66-128-4821	1	1	1	1	1	1	1	1	
13	MRC8136	ANGLE-LID		1	1	1	1	1	1	1		
13	MXC6338	ANGLE-LID		1	1	1	1					1 01
14	SH106251L	SCREW	5305-99-122-5362	6	6	6	6	6	6	6	6	
15	MRC5527	WASHER-PLAIN	5310-99-977-1694	8	8	8	8	8	8	8	8	
16	WL106001L	WASHER-LOCK	5310-99-137-9232	4	4	4	4	4	4	4	4	
17	FS106201	SCREW	5305-99-122-5361	4	4	4	4	4	4	4	4	
18	MRC5527	WASHER-PLAIN	5310-99-977-1694	10	10	10	10	10	10	10	10	
19	MXC8555	SEATBASE		1	1	1	1	1	1	1	1	
20	MRC9664	BATTERY TRAY	2540-99-721-4457	1	1	1	1	1	1	1	1	
21	R78248	POP RIVET	5320-99-970-3518	4	4	4	4	4	4	4	4	
22	MRC8388	CATCH	5340-99-721-4458	1	1	1	1	1	1	1	1	
23	RU608123L	POP RIVET	5320-66-128-4634	2	2	2	2	2	2	2	2	
24	MUC1234	COVER PLATE		1	1	1	1	1	1	1		
25	HYG3022	KEY-BUDGET LOCK	6115-66-038-2801									2
26	HYG3029	HOLDER-KEY	5340-66-128-5299									2
27	RA612253L	POP RIVET	5320-66-128-5117									4

GROUP SAB



SEAT BASE AND FITTINGS

PERENTIE LAND ROVER PARTS LIST

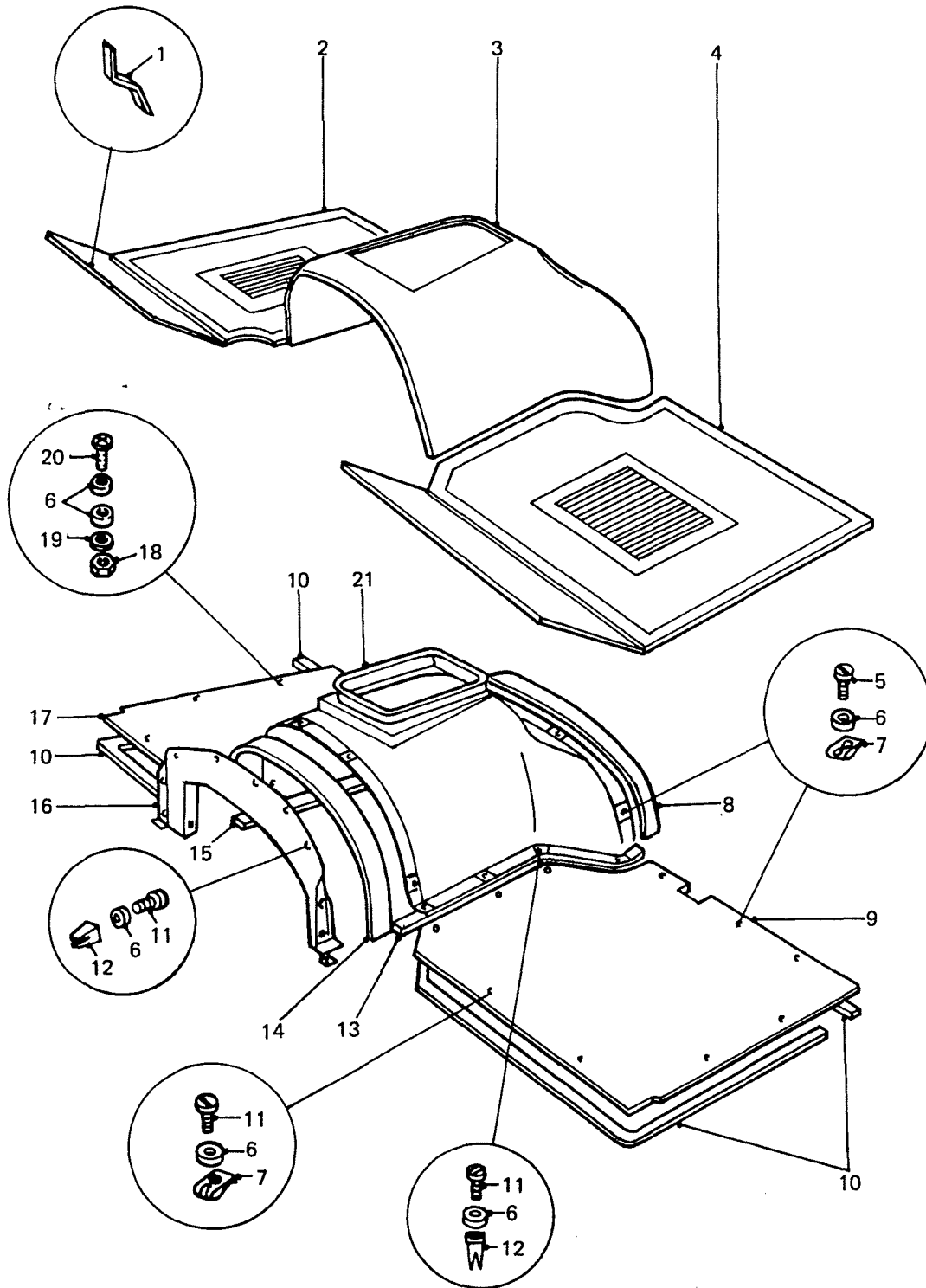
SAB/1/1		SEAT BASE AND FITTINGS			DERIVATIVE CODE							
<u>ITEM</u>	<u>PART NO.</u>	<u>DESCRIPTION</u>	<u>NSN</u>	<u>2188</u>	<u>2189</u>	<u>2190</u>	<u>2191</u>	<u>2192</u>	<u>2194</u>	<u>2195</u>	<u>2207</u>	<u>CP</u>
	R392107	PAD-SOUND DEADENING-SEAT BASE		2	2	2	2	2	2	2	2	2
	MYH5227/1600	SEAL-COVER TO SEAT BASE		1	1	1	1	1	1	1	1	1
	AB610031L	SCREW-COVER PLATE TO SEATBASE										6
	RU608123L	POP RIVET-REDUNDANT CATCH HOLES	5320-66-128-4634									2
	HYG5614	STIFFENER-SEAT BASE CENTRE		2	2	2	2	2	2	2	2	2
	RA612183	POP RIVET-STIFFENER	5320-66-128-4653	10	10	10	10	10	10	10	10	10

CHANGE POINT

ARN INTRODUCTION

1	51-581 R.F.S.V.
1	50-380 SOFT TOP CARGO

GROUP SAC



TRANSMISSION TUNNEL, FLOOR PANELS AND TRIM

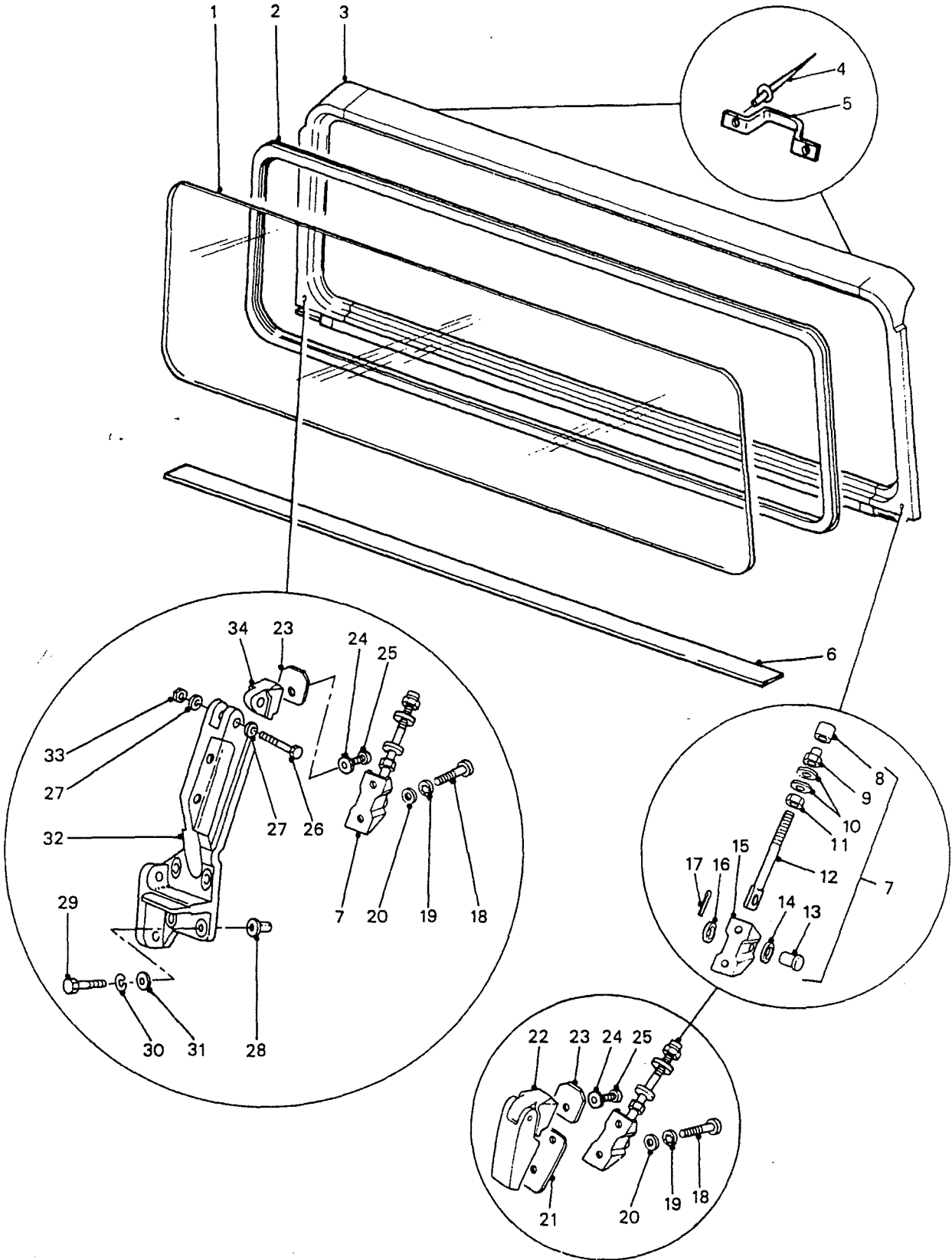
PERENTIE LAND ROVER PARTS LIST

<u>ITEM</u>	<u>SAC/1/1</u> <u>PART NO.</u>	<u>DESCRIPTION</u>	<u>NSN</u>	<u>DERIVATIVE CODE</u>								<u>CP</u>
				<u>2188</u>	<u>2189</u>	<u>2190</u>	<u>2191</u>	<u>2192</u>	<u>2194</u>	<u>2195</u>	<u>2207</u>	
1	HYG1854	RETAINER		1	1	1	1	1	1	1	1	1
2	MUC1250	MAT-FLOOR-RH FRONT		1	1	1	1	1	1	1	1	1
3	MUC1253	COVER-TUNNEL	2540-66-128-4898	1	1	1	1	1	1	1	1	1
4	MUC1249	MAT-FLOOR-LH FRONT		1	1	1	1	1	1	1	1	1
5	R320045	BOLT	5305-99-123-7828	5	5	5	5	5	5	5	5	5
6	MRC5527	WASHER-PLAIN	5310-99-977-1694	34	34	34	34	34	34	34	34	34
7	R79246	NUT-SPIRE	5310-99-822-1324	7	7	7	7	7	7	7	7	7
8	MUC1237	SEAL-FRONT	9320-66-128-4709	1	1	1	1	1	1	1	1	1
9	MUC1227	PLATE-FLOOR		1	1	1	1	1	1	1	1	1
10	MRC8626	SEAL	9330-99-721-4452	1	1	1	1	1	1	1	1	1
11	AB614061L	SCREW	5305-99-941-9038	20	20	20	20	20	20	20	20	20
12	RTC3744	LOKUT NUT		22	20	20	20	20	20	20	20	20
13	MUC1237	SEAL-FRONT		1	1	1	1	1	1	1	1	1
14	MUC1237	SEAL-FRONT		1	1	1	1	1	1	1	1	1
15	MUC1237	SEAL-SIDE		1	1	1	1	1	1	1	1	1
16	MUC4163	PANEL-DIAPHARAGM		1	1	1	1	1	1	1	1	1
17	MUC1228	PLATE-FLOOR		1	1	1	1	1	1	1	1	1
18	NH106041L	NUT	5310-66-098-4401	4	4	4	4	4	4	4	4	4
19	WL106001L	WASHER-LOCK	5310-99-137-9232	4	4	4	4	4	4	4	4	4
20	SE106201L	SCREW	5305-99-796-7536	4	4	4	4	4	4	4	4	4
21	MUC4319	PANEL-TUNNEL		1	1	1	1	1	1	1	1	1
	R79048	BOLT-TUNNEL PANEL TO LH FLOOR PLATE	5305-99-137-0448	1	1	1	1	1	1	1	1	1

CHANGE POINT

ARN INTRODUCTION

GROUP SAD

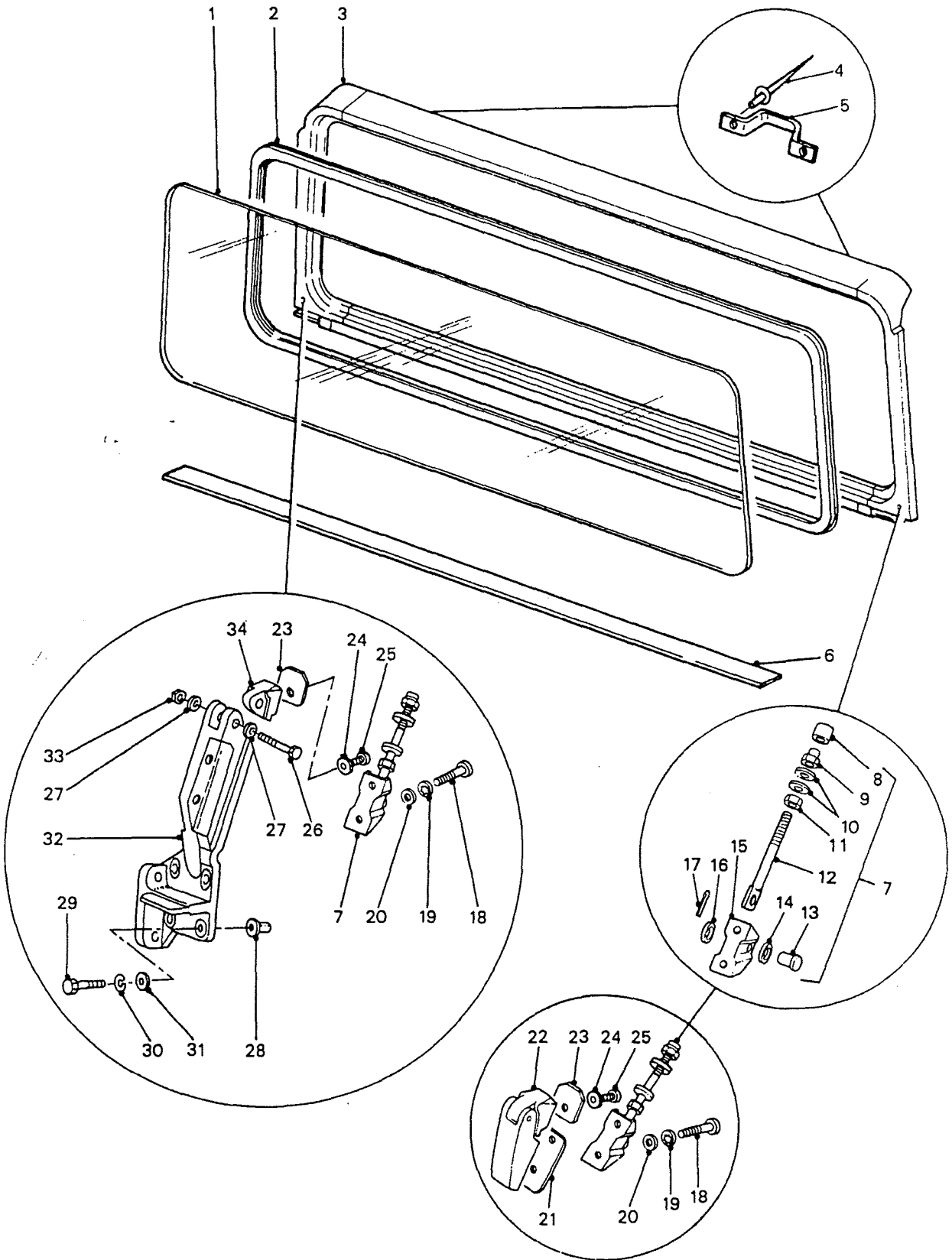


WINDSCREEN

PERENTIE LAND ROVER PARTS LIST

ITEM	SAD/1/1 PART NO.	WINDSCREEN DESCRIPTION	NSN	DERIVATIVE CODE								CP	
				2188	2189	2190	2191	2192	2194	2195	2207		
1	MTC2864	WINDSCREEN	2510-99-839-5431	1	1	1	1	1	1	1	1	1	
2	MUC3733	RUBBER-GLAZING	5330-99-740-0894	1	1	1	1	1	1	1	1	1	
3	MUC2594	FRAME-WINDSCREEN	2510-66-128-4822	1	1	1	1	1	1	1	1	1	
4	RA612373L	POP RIVET	5320-66-128-4635	4	4	4	4						4
5	R395143	STAPLE	2540-99-824-6204	2	2	2	2						2
6	MUC6660	SEAL	5330-99-742-2394	1	1	1	1	1	1	1	1	1	1
7	RTC6159	CLAMP (INCL ITEMS 8-17)	2540-99-721-4435	2	2	2	2	2	2	2	2	2	2
8	NSS												
9	NSS												
10	NSS												
11	NSS												
12	NSS												
13	NSS												
14	WA106001L	WASHER-PLAIN		2	2	2	2	2	2	2	2	2	2
15	NSS												
16	WA106001L	WASHER-PLAIN	5310-66-098-4440	2	2	2	2	2	2	2	2	2	2
17	NSS												
18	SS108404	SCREW	5305-99-122-3389	4	4	4	4	4	4	4	4	4	4
19	WF108004L	WASHER-LOCK	5310-66-128-4636	4	4	4	4	4	4	4	4	4	4
20	WA108051L	WASHER-PLAIN	5310-99-122-6475	4	4	4	4	4	4	4	4	4	4
21	MUC7903	GASKET-HINGE	5330-66-128-4637	2	2	2	2	2	2	2	2	2	1
21	MXC9982	GASKET-HINGES TO DASH		2	2	2	2						1 01
22	MXC7846	HINGE ASSY-RH	2540-99-742-2380	1	1	1	1	1	1	1	1		
22	MXC7847	HINGE ASSY-LH	2540-99-742-2382	1	1	1	1	1	1	1	1	1	1
23	MUC7904	GASKET-HINGE	5330-66-128-4647	2	2	2	2	2	2	2	2	2	2
23	MXC9983	GASKET-HINGES TO W/SCREEN FRAME		2	2	2	2						2 01

GROUP SAD



WINDSCREEN

PERENTIE LAND ROVER PARTS LIST

<u>ITEM</u>	<u>SAD/1/1</u> <u>PART NO.</u>	<u>WINDSCREEN</u> <u>DESCRIPTION</u>	<u>NSN</u>	<u>DERIVATIVE CODE</u>								<u>CP</u>
				<u>2188</u>	<u>2189</u>	<u>2190</u>	<u>2191</u>	<u>2192</u>	<u>2194</u>	<u>2195</u>	<u>2207</u>	
24	MUC3906	WASHER-NYLON	5310-66-128-4638	2	2	2	2	2	2	2	2	2
25	SE110401	SCREW	5305-99-135-0464	2	2	2	2	2	2	2	2	2
26	BH108101	BOLT	5306-99-122-5256									1
27	WA08051L	WASHER-PLAIN	5310-99-122-6475									2
28	MM106301	RIVNUT	5310-66-128-5543									4
29	BH106071	BOLT	5306-99-122-8099									4
30	WL106001L	WASHER-LOCK	5310-99-137-9232									4
31	WC106041L	WASHER-PLAIN	5310-99-122-3411									4
32	BYG2084	MOUNTING										1
33	NY108041L	NUT-NYLOC	5310-99-122-5496									1
34	HYG5534	HINGE ASSY-RH										1

CHANGE POINT

ARN INTRODUCTION

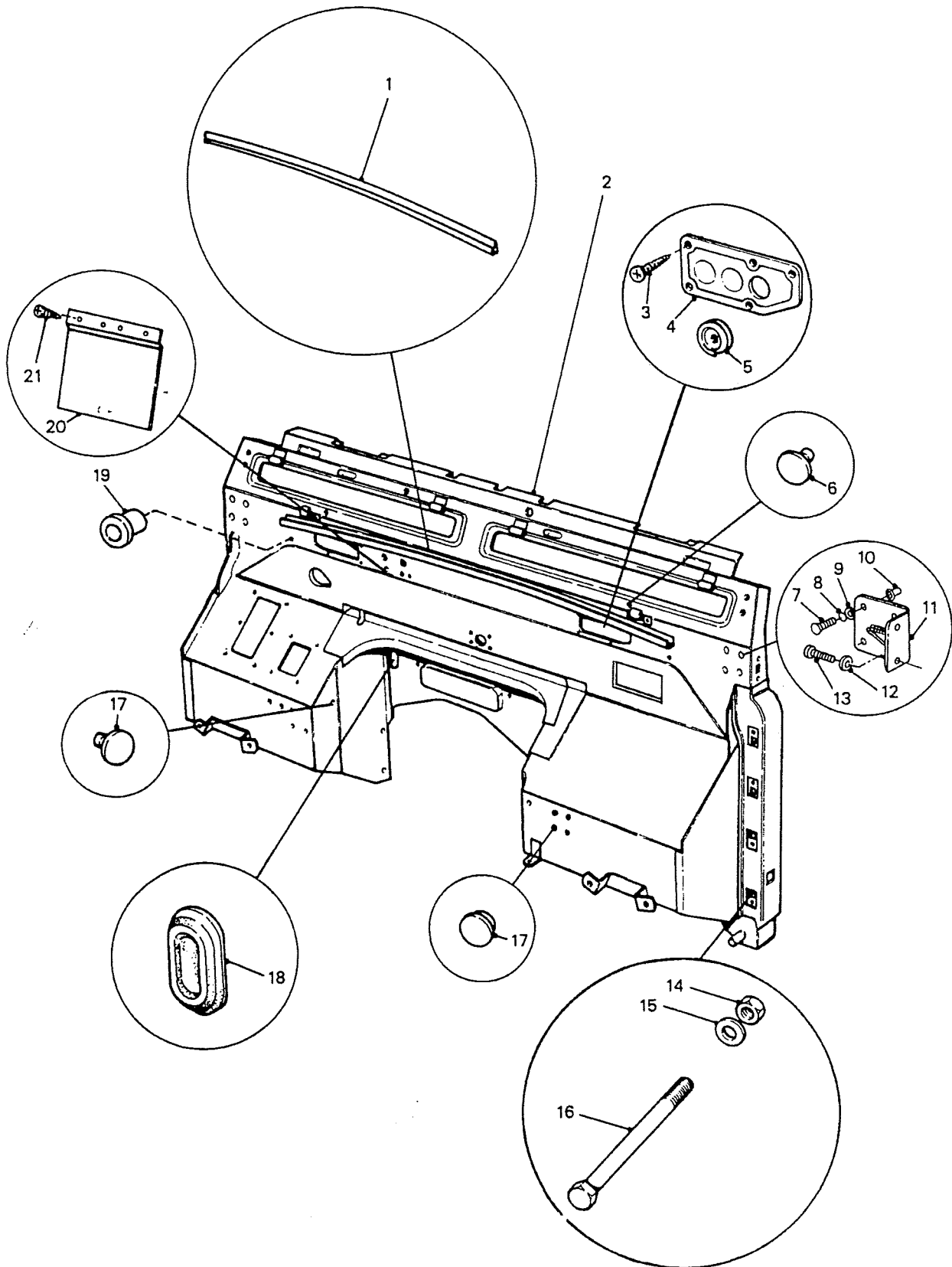
1

F.F.R. SOFT TOP-51-512

1

R.F.S.V.-VEHICLES BUILT FROM MAY 1991

GROUP SAE



FIREWALL AND FITTINGS

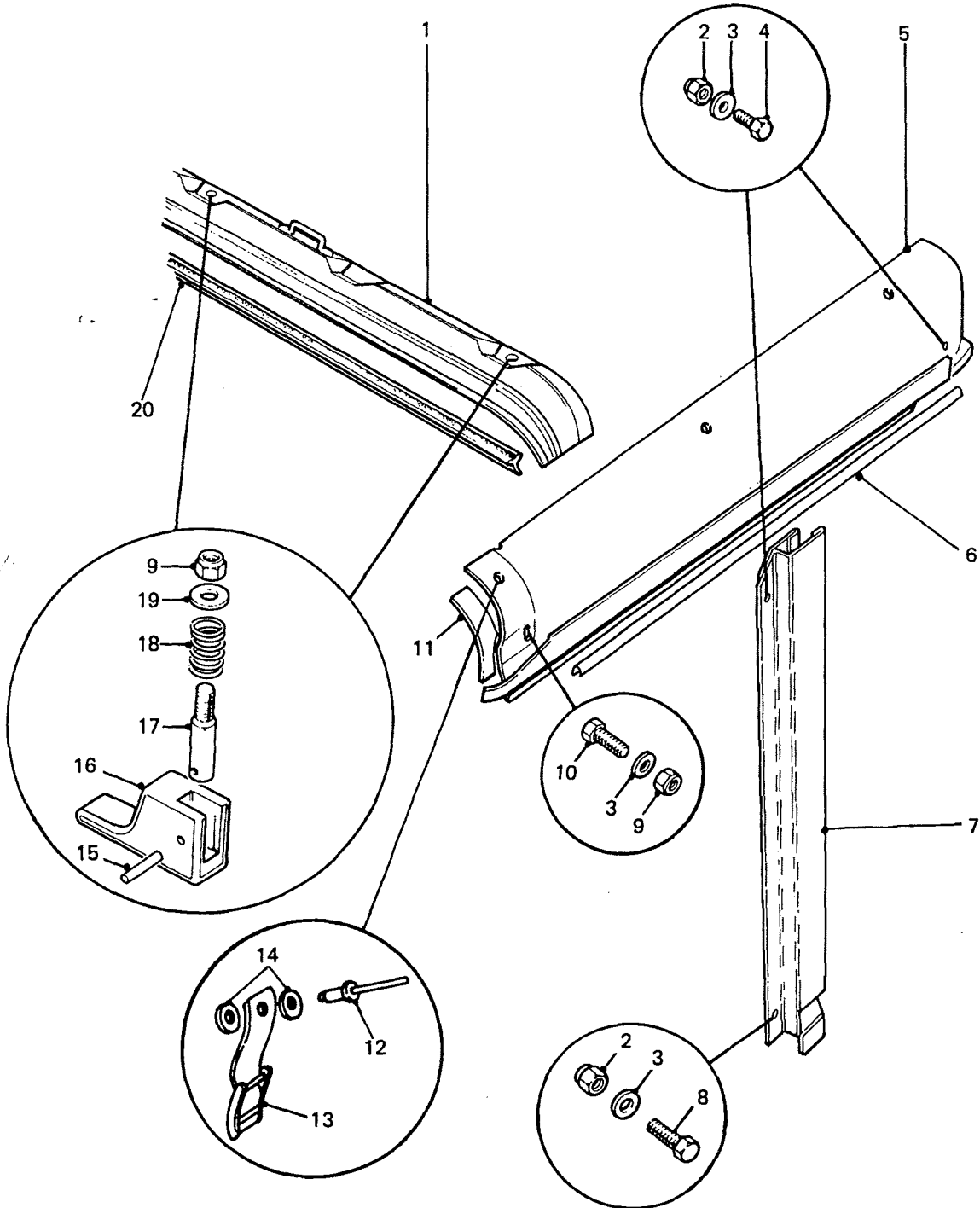
PERENTIE LAND ROVER PARTS LIST

ITEM	SAE/1/1 PART NO.	FIREWALL AND FITTINGS DESCRIPTION	NSN	DERIVATIVE CODE								
				2188	2189	2190	2191	2192	2194	2195	2207	CP
1	MWC2567	SEAL		1	1	1	1	1	1	1	1	1
2	HYG5996	PANEL-DASH		1	1	1	1	1	1	1		
2	HYG5997	PANEL-DASH										1
3	AB610041L	SCREW		8	8	8	8	8	8	8	8	8
4	PRC1333	GROMMET PLATE		2	2	2	2	2	2	2	2	2
5	BD15588/8A	PLUG-SEALING		1	1	1	1	1	1	1	1	1
7	SH106251L	SCREW	5305-99-122-5362									4
8	WL106001L	WASHER-LOCK	5310-99-137-9232									4
9	WA106041L	WASHER-PLAIN	5310-66-098-4440									4
10	MM106301	RIVNUT	5310-66-128-5543									4
11	HYG3977	BRACKET-MIRROR										1
12	MRC1979	WASHER-NYLON	5340-99-138-0387	4	4	4	4	4	4	4	4	4
13	SE604071L	SCREW	5305-99-101-3938	4	4	4	4	4	4	4	4	4
14	NY112041L	NUT-NYLOC	5310-99-768-7269	2	2	2	2	2	2	2	2	2
15	WA112081L	WASHER-PLAIN	5310-99-122-6477	10	10	10	10	10	10	10	10	10
16	MRC9420	TIE BOLT		2	2	2	2	2	2	2	2	2
17	RFR208	GROMMET		2	2	2	2	2	2	2	2	2
18	MTC1650	PLUG-DASH	5340-99-774-6796	2	2	2	2	2	2	2	2	2
19	NN108021	NUTSERT	5310-99-122-4925	2	2	2	2	2	2	2	2	2
20	HYG2089	PLATE PROTECTION		1	1	1	1	1	1	1	1	1
21	AB614061L	SCREW	5305-99-941-9038	22	2	2	2	2	2	2	2	2
	MUC7929	STRIP SEAL-DASH TO CHASSIS		2	2	2	2	2	2	2	2	2
	R338020	PLUG-FIREWALL TOP		1	1	1	1	1	1	1	1	1
	MWC2309	PLUG-WASHER JET HOLES IN DASH		2	2	2	2	2	2	2	2	2
	PRC3037	COVER-HARNESS		1	1	1	1	1	1	1	1	1
	RA610123	POP RIVET-HARNESS COVER TO DASH CENTRE	5320-66-128-5337	1	1	1	1	1	1	1	1	1

CHANGE POINT

ARN INTRODUCTION

GROUP SAF



WINDSCREEN AND CANOPY SUPPORT PANELS

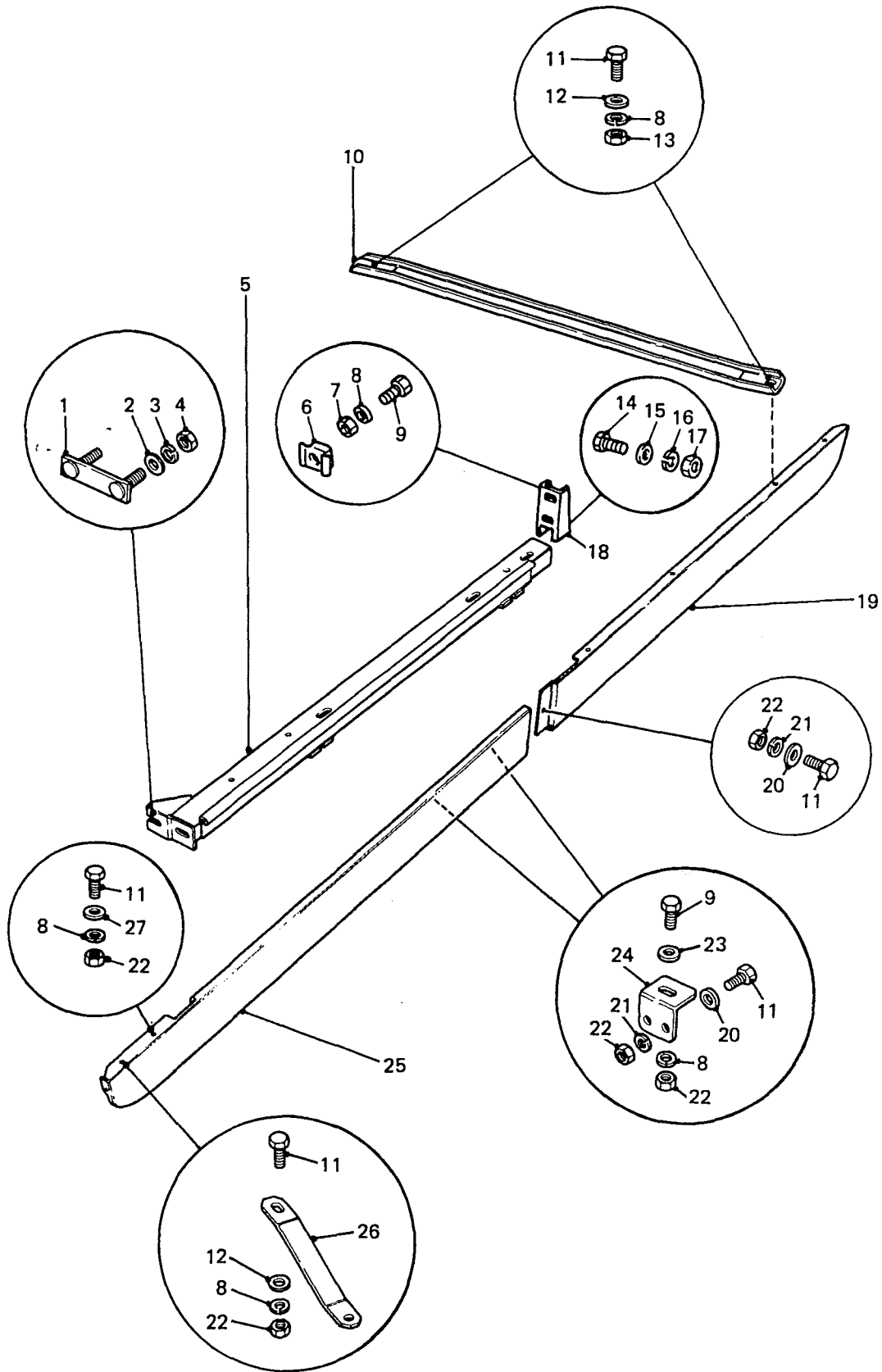
PERENTIE LAND ROVER PARTS LIST

<u>ITEM</u>	<u>PART NO.</u>	<u>DESCRIPTION</u>	<u>NSN</u>	<u>DERIVATIVE CODE</u>								
				<u>2188</u>	<u>2189</u>	<u>2190</u>	<u>2191</u>	<u>2192</u>	<u>2194</u>	<u>2195</u>	<u>2207</u>	<u>CP</u>
1	MTC9773	RAIL-HEADER		1	1	1	1					1
2	MYH3315	NUT-NYLOC	5310-66-128-4648	6	6	6	6					6
3	AFU1080	WASHER-PLAIN	5310-99-740-0784	14	14	14	14					14
4	SE106121	SCREW	5305-99-122-5289	2	2	2	2					2
5	MUC4042	CHANNEL-DRAIN-RH	2510-66-128-4785	1	1	1	1					1
5	RRC3973	CHANNEL-DRAIN-LH	2510-66-128-4784	1	1	1	1					1
6	HYL9997	SEAL-SIDE DRAIN CHANNEL	5330-66-128-4649	2	2	2	2					2
7	MTC5428	DRAIN CHANNEL-RH	2510-66-128-4786	1	1	1	1					1
7	MTC5429	DRAIN CHANNEL-LH	2510-99-829-4701	1	1	1	1					1
8	FS106161	SCREW	5305-99-122-5360	4	4	4	4					4
9	NY106041L	NUT-NYLOC	5310-99-138-8423	6	6	6	6					6
10	SE106201L	SCREW	5305-99-796-7536	2	2	2	2					2
11	MTC7431	SEAL-CHANNEL	5330-99-737-3379	2	2	2	2					2
12	RU612373L	POP RIVET	5320-99-120-9002	6	6	6	6					6
13	HYG2834	BUCKLE ASSY	5340-66-128-4651	6	6	6	6					6
14	WC105001L	WASHER-PLAIN		12	12	12	12					12
15	PA106201	SPRING PIN	5315-99-120-8129	4	4	4	4					4
16	MTC4581	HANDLE	2540-99-737-3376	4	4	4	4					4
17	MTC4583	SPINDLE	2540-99-737-3377	4	4	4	4					4
18	MTC4584	SPRING	5360-99-737-3378	4	4	4	4					4
19	AFU1080	WASHER-PLAIN	5310-99-740-0784	4	4	4	4					4
20	MTC7252	SEAL-RAIL	5335-99-737-3380	1	1	1	1					1

CHANGE POINT

ARN INTRODUCTION

GROUP SAG/1

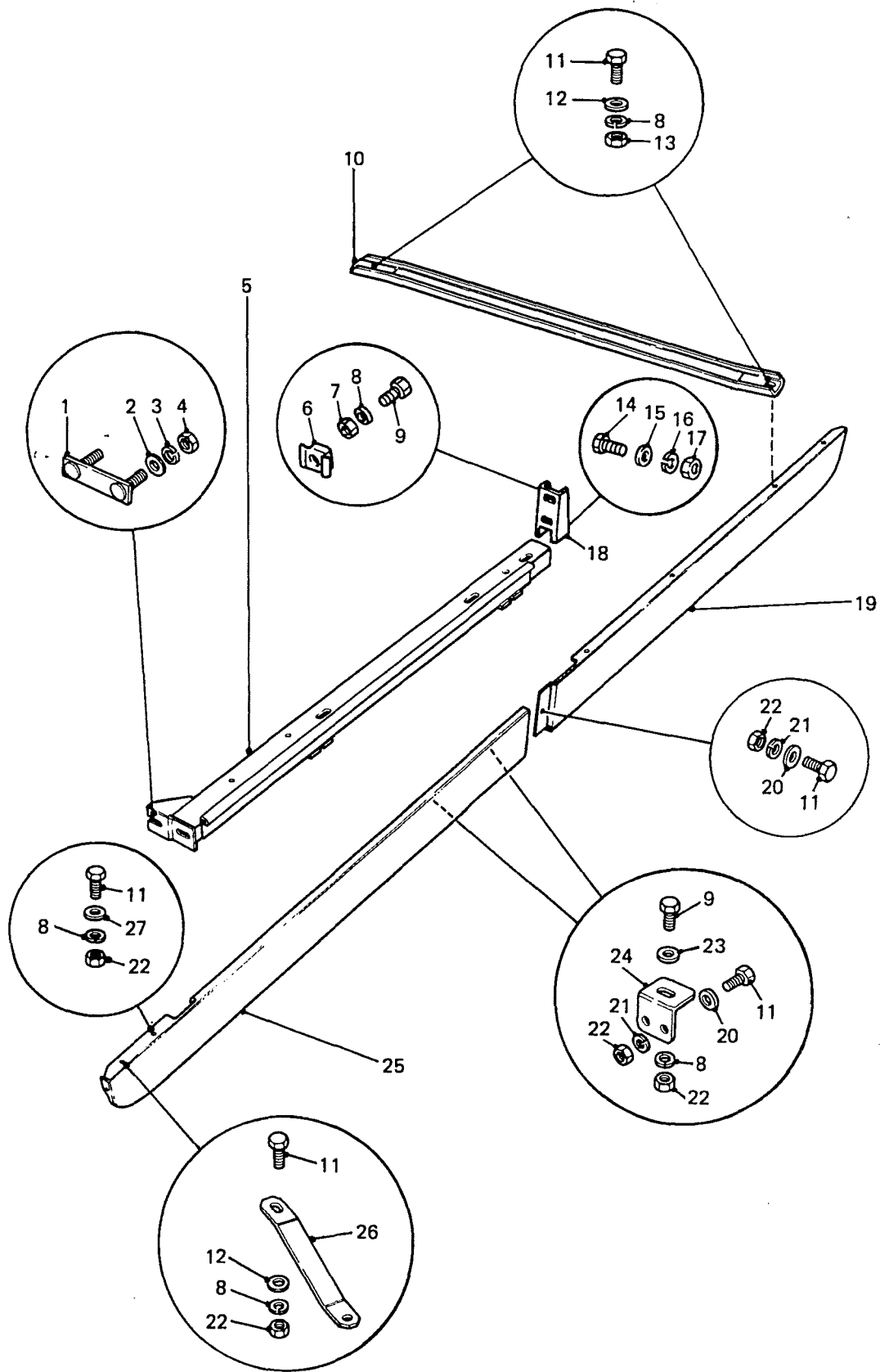


SILL PANELS

PERENTIE LAND ROVER PARTS LIST

ITEM	PART NO.	DESCRIPTION	NSN	DERIVATIVE CODE							CP
				2188	2189	2190	2191	2192	2194	2195	
1	MRC5765	BOLT PLATE		2	2	2	2	2			2
2	WC108051L	WASHER-PLAIN		4	4	4	4	4			4
3	WL108001L	WASHER-LOCK	5310-99-137-9231	4	4	4	4	4			4
4	FN108041	NUT	5310-99-499-8033	4	4	4	4	4			4
5	MWC1086	CHANNEL-SILL-RH		1	1	1	1	1			1
5	MWC1087	CHANNEL-SILL-LH		1	1	1	1	1			1
6	NK106081	NUT-GRIP		4	4	4	4	4			4
7	FN108041	NUT	5310-99-499-8033	4	4	4	4	4			4
8	WL106001L	WASHER-LOCK	5310-99-137-9232	8	8	8	8	8			8
9	FS106201	SCREW	5305-99-122-5361	4	4	4	4	4			4
10	MRC6019	CENTRE STAY		2	2	2	2				2
11	FS106161	SCREW	5305-99-122-5360	18	18	18	18				18
12	WA106041L	WASHER-PLAIN	5310-66-098-4440	8	8	8	8				8
13	NH106041L	NUT	5310-66-098-4401	4	4	4	4				4
14	FS108201	SCREW		4	4	4	4	4			4
15	WC108051L	WASHER-PLAIN		8	8	8	8	8			8
16	WL108001L	WASHER-LOCK	5310-99-137-9231	4	4	4	4	4			4
17	FN108041	NUT	5310-99-499-8033	4	4	4	4	4			4
18	R347436	BRACKET-MOUNTING		2	2	2	2	2			2
19	MRC5049	SILL PANEL-RH		1	1	1	1	1			1
19	MRC5050	SILL PANEL-LH		1	1	1	1	1			1
20	MRC5525	WASHER-PLAIN	5310-99-754-3600	20	20	20	20	20			20
21	WM106001	WASHER-LOCK		10	10	10	10	10			10
22	NH106041L	NUT	5310-66-098-4401	18	18	18	18	18			18
23	MRC5525	WASHER-PLAIN	5310-99-754-3600	8	8	8	8	8			8
24	MRC9438	BRACKET		4	4	4	4	4			4
25	RTC6205	SILL PANEL-RHF		1	1	1	1	1			1
25	RTC6206	SILL PANEL-LHF		1	1	1	1	1			1
26	MRC5153	FRONT STAY		2	2	2	2	2			2

GROUP SAG/1



SILL PANELS

PERENTIE LAND ROVER PARTS LIST

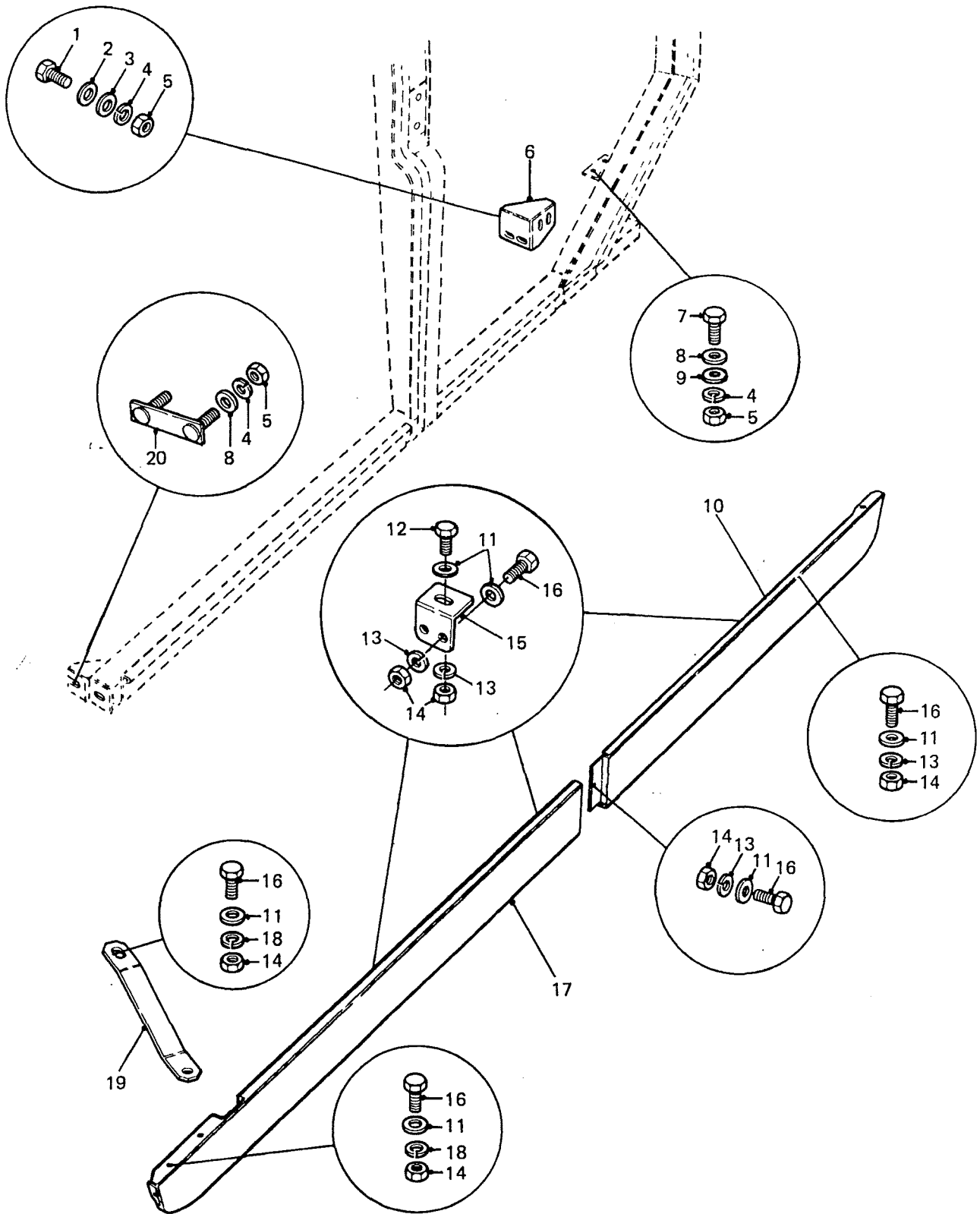
SAG/1/1 SILL PANELS

<u>ITEM</u>	<u>PART NO.</u>	<u>DESCRIPTION</u>	<u>NSN</u>	<u>DERIVATIVE CODE</u>								
				<u>2188</u>	<u>2189</u>	<u>2190</u>	<u>2191</u>	<u>2192</u>	<u>2194</u>	<u>2195</u>	<u>2207</u>	<u>CP</u>
27	MRC5525	WASHER-PLAIN	5310-99-754-3600	8	8	8	8	8				8
	HYG3374	BRACKET-CENTRE STAY MOUNTING				2	2					
	FS106201	SCREW-BRACKET TO CHASSIS	5305-99-122-5361			1	1					
	WA106041L	WASHER-PLAIN	5310-66-098-4440			2	2					
	WL106001L	WASHER-LOCK	5310-99-137-9232			1	1					
	NH106041L	NUT	5310-66-098-4401			1	1					

CHANGE POINT

ARN INTRODUCTION

GROUP SAG/2



SILL PANELS - STATION WAGON ONLY

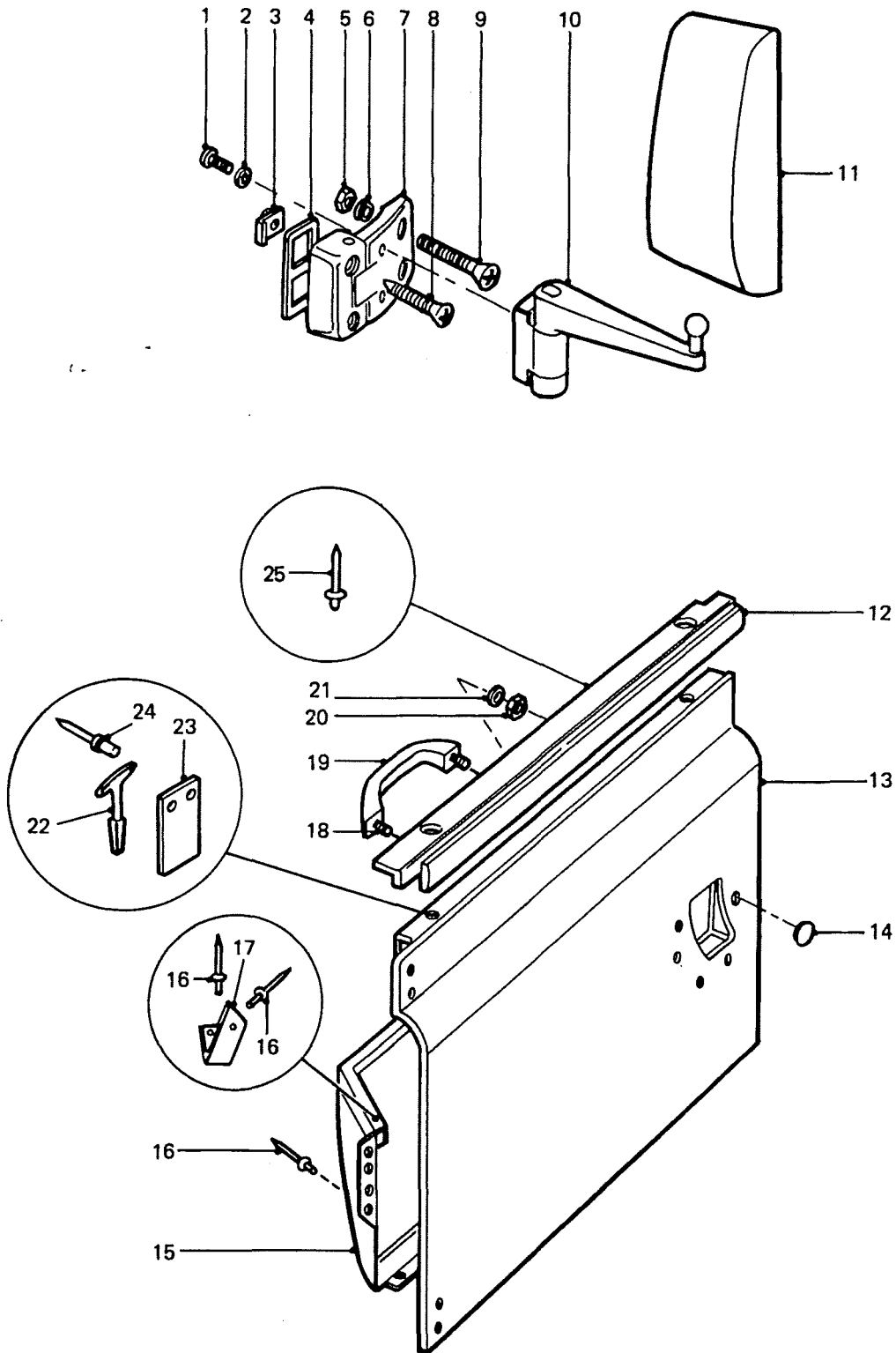
PERENTIE LAND ROVER PARTS LIST

<u>ITEM</u>	<u>PART NO.</u>	<u>DESCRIPTION</u>	<u>NSN</u>	<u>DERIVATIVE CODE</u>							
				<u>2188</u>	<u>2189</u>	<u>2190</u>	<u>2191</u>	<u>2192</u>	<u>2194</u>	<u>2195</u>	<u>2207</u>
1	FS108251	SCREW	5305-99-122-5367						8	8	
2	WC108051L	WASHER-PLAIN							12	12	
3	WL108001L	WASHER-LOCK	5310-99-137-9231						4	4	
4	WM600051L	WASHER-LOCK	5310-66-016-5980						12	12	
5	FN108041	NUT	5310-99-499-8033						16	16	
6	MRC6359	BRACKET-RH							1	1	
6	MRC6360	BRACKET-LH							1	1	
7	FS108161	SCREW							4	4	
8	WC108051L	WASHER-PLAIN							8	8	
9	RTC613	WASHER							4	4	
10	RTC6209	SILL PANEL-RHR							1	1	
10	RTC6210	SILL PANEL-LHR							1	1	
11	MRC5525	WASHER-PLAIN	5310-99-754-3600						40	40	
12	FS106201	SCREW	5305-99-122-5361						6	6	
13	WM106001	WASHER-LOCK							12	12	
14	NH106041L	NUT	5310-66-098-4401						20	20	
15	MRC9438	BRACKET							6	6	
16	FS106161	SCREW	5305-99-122-5360						14	14	
17	RTC6205	SILL PANEL-RHF							1	1	
17	RTC6206	SILL PANEL-LHF							1	1	
18	WL106001L	WASHER-LOCK	5310-99-137-9232						8	8	
19	MRC5153	FRONT STAY							2	2	
20	MRC5765	BOLT PLATE							2	2	

CHANGE POINT

ARN INTRODUCTION

GROUP SB/1

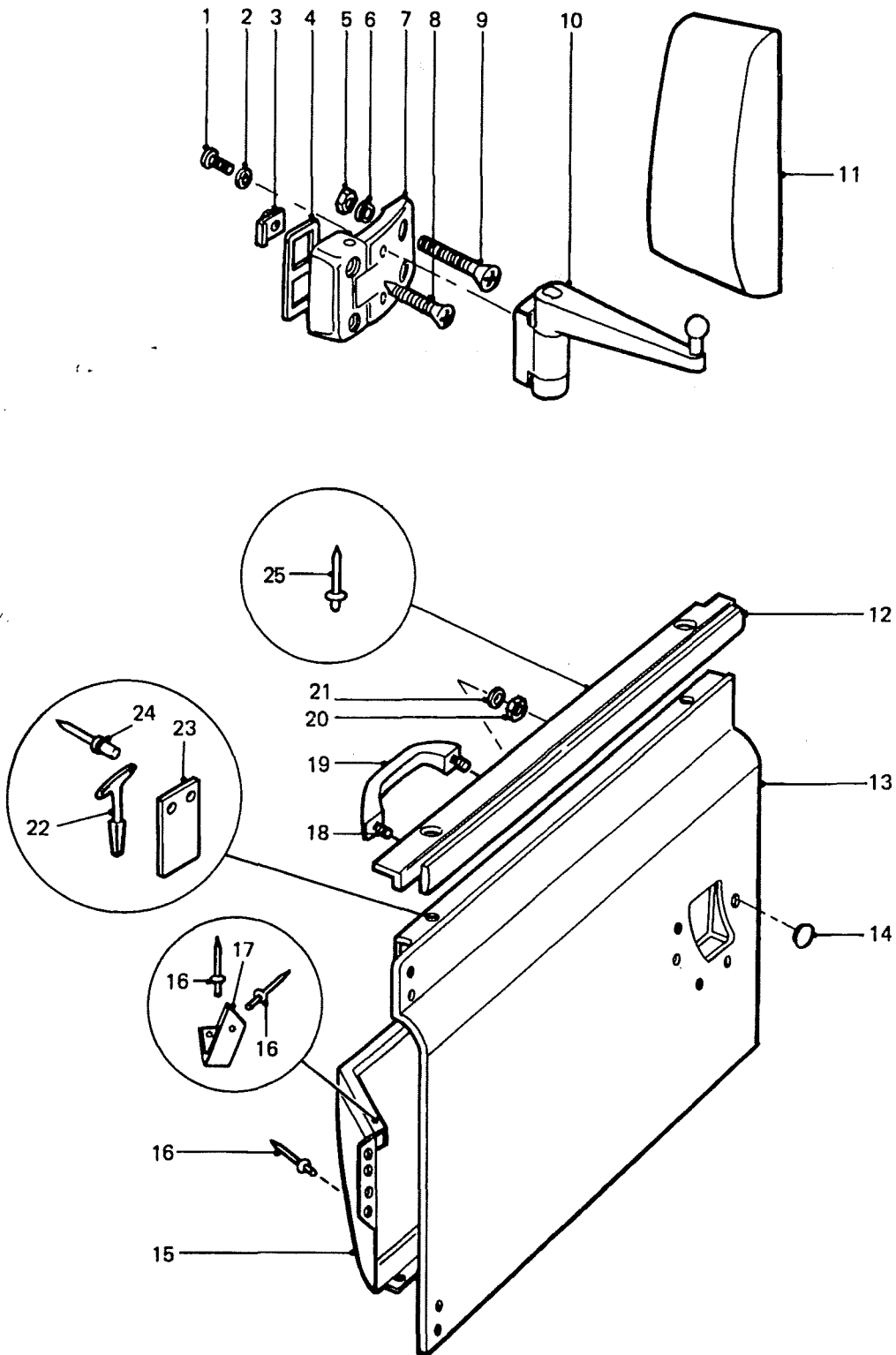


FRONT DOOR AND EXTERIOR MIRROR

PERENTIE LAND ROVER PARTS LIST

ITEM	SB /1/1 PART NO.	FRONT DOOR AND EXTERIOR MIRRORS DESCRIPTION	NSN	DERIVATIVE CODE							CP
				2188	2189	2190	2191	2192	2194	2195	
1	SE604071L	SCREW	5305-99-101-3938	4	4	4	4	4			4
2	MRC1979	WASHER NYLON	5340-99-138-0387	4	4	4	4	4			4
3	MRC2178	NUT	5310-99-138-5889	8	8	8	8	8			8
4	R347369	WASHER	5330-99-824-8467	4	4	4	4	4			4
5	NH605041L	NUT	5310-99-136-1515	8	8	8	8	8			8
6	MRC1980	WASHER-NYLON	2510-99-829-7487	8	8	8	8	8			8
7	MXC8284	HINGE-UPPER-RH	2510-66-128-6237	1	1	1	1	1			1
7	MXC8285	HINGE-UPPER-LH	2510-66-128-6236	1	1	1	1	1			1
7	MXC8282	HINGE-LOWER-RH	2510-99-824-8458	1	1	1	1	1			1
7	MXC8283	HINGE-LOWER-LH	2510-99-824-8459	1	1	1	1	1			1
8	R79221	SCREW	5305-99-941-1769	8	8	8	8	8			8
9	MWC1899	SCREW-HINGE	5305-66-128-5090	8	8	8	8	8			8
10	MTC5083	ARM-MIRROR	2540-99-795-3170	2	2	2	2	2			2
11	MUC3707	MIRROR HEAD-RH	2540-66-128-4280	1	1	1	1	1			1
11	MUC3708	MIRROR HEAD-LH	2540-66-128-4281	1	1	1	1	1			1
	RTC4342	GLASS-MIRROR	9340-66-128-5849	2	2	2	2	2			2
12	RRC5034	CAPPING-DOOR-RHF	2510-99-849-8660	1	1	1	1	1			1
12	RRC5035	CAPPING-DOOR-LHF	2510-99-849-9866	1	1	1	1	1			1
13	RTC6287	DOOR-FRONT-RHF	2510-99-721-4471	1	1	1	1	1			1
13	RTC6288	DOOR-FRONT-LHF	2510-99-721-7186	1	1	1	1	1			1
14	MYH3268	PLUG-HANDLE	5340-66-128-4652	2	2	2	2	2			2
15	HYG3501	POCKET-DOOR	2540-66-128-5378	2	2	2	2	2			2
16	RA612183	POP RIVET	5320-66-128-4653	34	34	34	34	26			26
17	HYG2715	STRAP-POCKET		2	2	2	2				01
17	HYG2716	STRAP-POCKET		2	2	2	2				01
18	SE105161L	SCREW	5305-99-135-0430	4	4	4	4	4			4
19	YGA451L	DOOR PULL	5340-66-128-4654	2	2	2	2	2			2
20	NH105041L	NUT	5310-66-098-4400	4	4	4	4	4			4

GROUP SB/1



FRONT DOOR AND EXTERIOR MIRROR

PERENTIE LAND ROVER PARTS LIST

<u>ITEM</u>	<u>PART NO.</u>	<u>DESCRIPTION</u>	<u>NSN</u>	<u>DERIVATIVE CODE</u>							<u>CP</u>
				<u>2188</u>	<u>2189</u>	<u>2190</u>	<u>2191</u>	<u>2192</u>	<u>2194</u>	<u>2195</u>	
21	WL105001L	WASHER-LOCK	5310-99-977-1102	4	4	4	4	4		4	
22	HYG3022	KEY-BUDGET LOCK	6115-66-038-2801	1	1	1	1	1			
23	HYG3029	HOLDER-KEY	5340-66-128-5299	1	1	1	1	1			
24	RA612253L	POP RIVET	5320-66-128-5117	2	2	2	2	2			
25	R78248	POP RIVET	5320-99-970-3518	14	14	14	14			14	
	HYM444	MIRROR-BLIND SPOT	2540-66-135-0374	2	2	2	2	2		2	
	HYG2058	TRIM-DOOR-RH	2540-66-128-4824	1	1	1	1	1		1	
	HYG2059	TRIM-DOOR-LH	2540-66-128-4823	1	1	1	1	1		1	

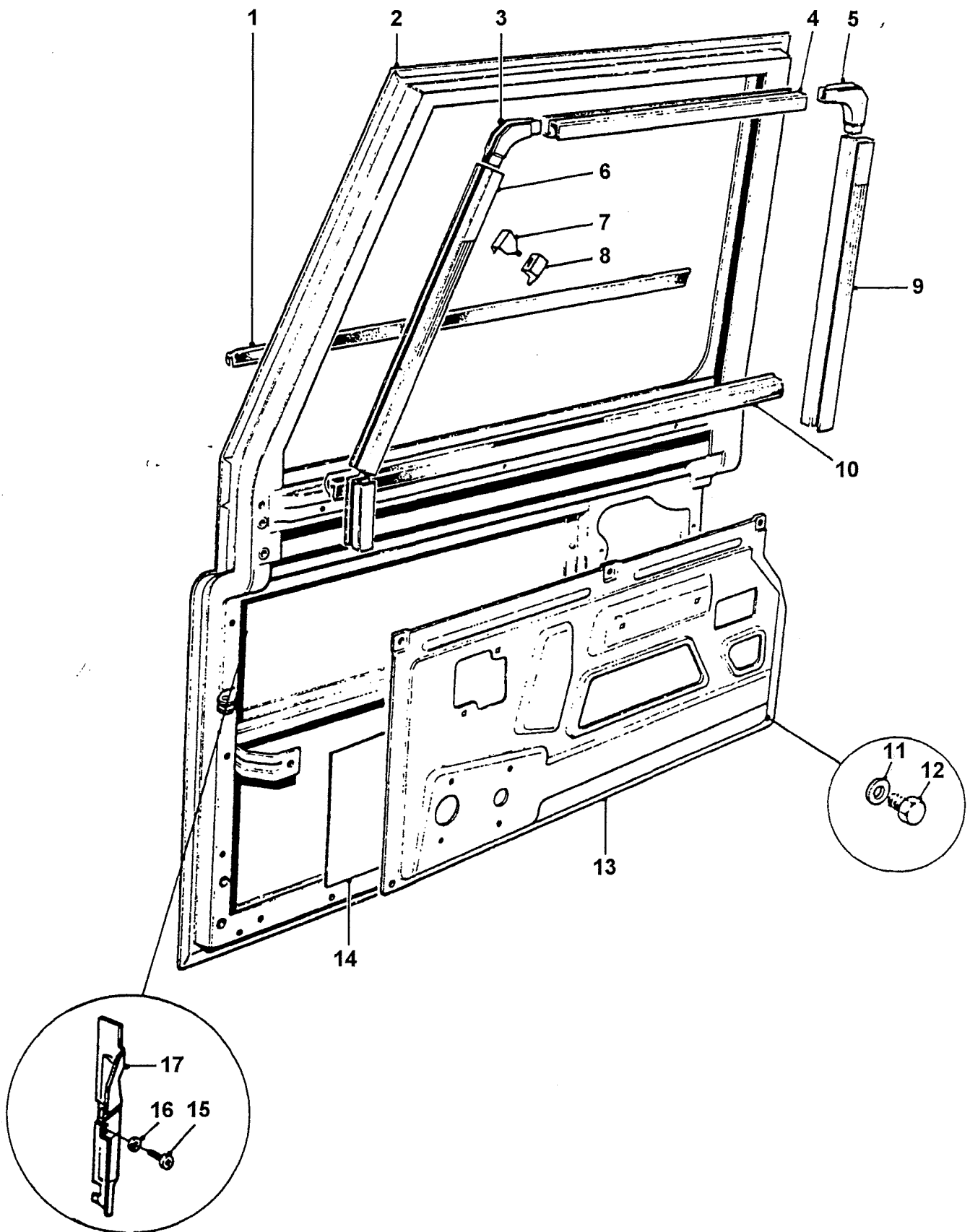
CHANGE POINT

1

ARN INTRODUCTION

FOR USE WITH EARLIER TYPE POCKET ONLY

GROUP SB/2



**FRONT SIDE DOOR AND FIXTURES
- STATION WAGONS ONLY**

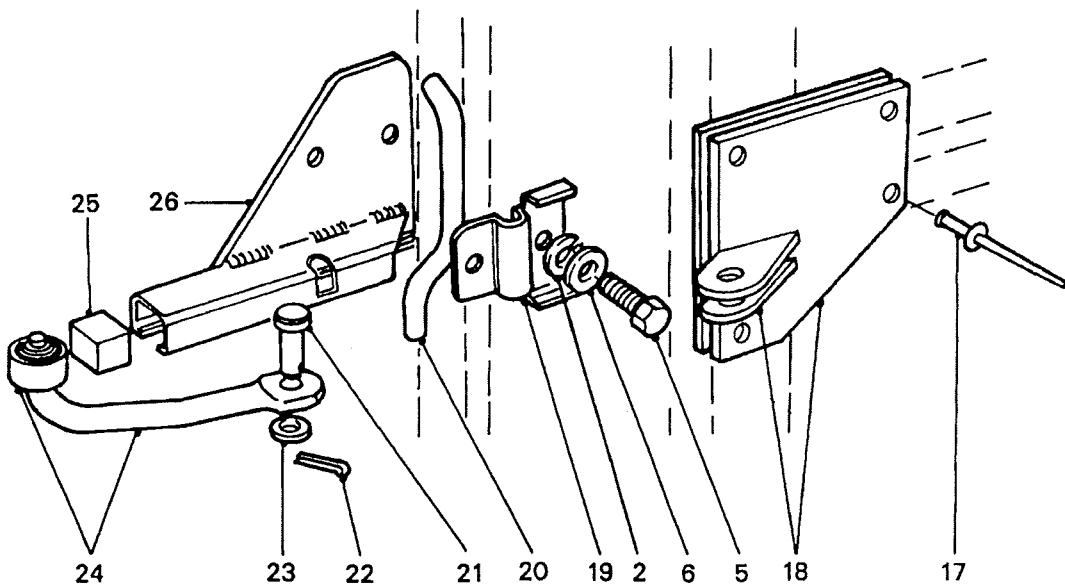
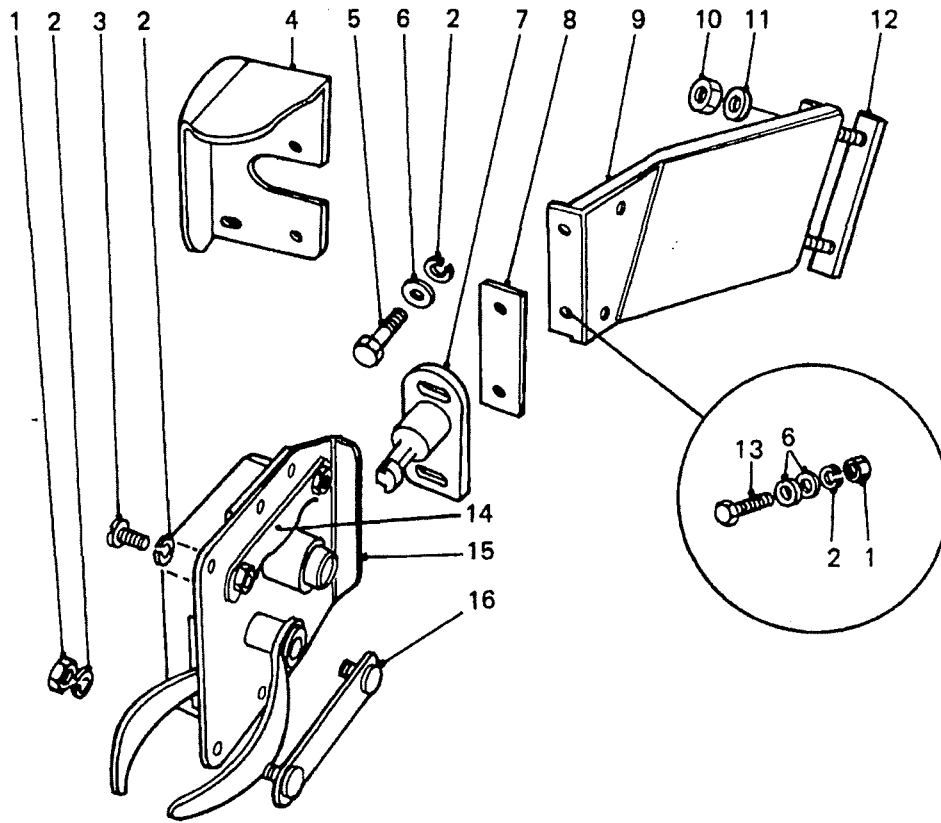
PERENTIE LAND ROVER PARTS LIST

<u>ITEM</u>	<u>PART NO.</u>	<u>DESCRIPTION</u>	<u>NSN</u>	<u>DERIVATIVE CODE</u>									
				<u>2188</u>	<u>2189</u>	<u>2190</u>	<u>2191</u>	<u>2192</u>	<u>2194</u>	<u>2195</u>	<u>2207</u>	<u>CP</u>	
1	MTC8474	WAISTSEAL-OUTER	5330-66-128-5262							2	2		
2	MXC7958	DOOR-FRONT-RH	2510-66-128-5125							1	1		
2	MXC7959	DOOR-FRONT-LH	2510-66-128-5126							1	1		
	ALR1800	BRACKET-PIVOT-RH								1	1		
	ALR1801	BRACKET-PIVOT-LH								1	1		
3	R201647	FILLER-CORNER	2510-66-128-5234							2	2		
4	MUC1652	FILLER-TOP	2510-99-777-0325							2	2		
5	R201235	FILLER-CORNER	2510-99-778-3583							2	2		
6	MUC1730	FILLER-RH	2510-99-777-0322							1	1		
7	MWC4371	CLIP-DOOR-GLASS RUN	5340-66-128-5369							2	2		
8	MWC4370	CLIP-DOOR-GLASS RUN	5340-66-128-5370							2	2		
9	MUC1651	FILLER-VERTICAL	2510-99-777-0326							2	2		
10	MTC8473	WAISTSEAL-INNER	5330-66-128-5261							2	2		
11	WA106041L	WASHER-PLAIN	5310-66-098-4440							10	10		
12	SH106101L	SCREW	5305-99-122-8665							10	10		
13	MWC8270	PANEL-DOOR-RH								1	1		
13	MWC8271	PANEL-DOOR-LH								1	1		
14	MTC9180	PAD SOUND DOOR								2	2		
15	MWC8223	BRACKET-SUPPORT								2	2		
	WE106001L	WASHER-LOCK-BRKT. TO DOOR								4	4		
	SE104161	SCREW-BRKT. TO DOOR	5305-66-128-6265							4	4		
	MXC9479	WATER CURTAIN-FRONT DOORS								2	2		

CHANGE POINT

ARN INTRODUCTION

GROUP SBA/1

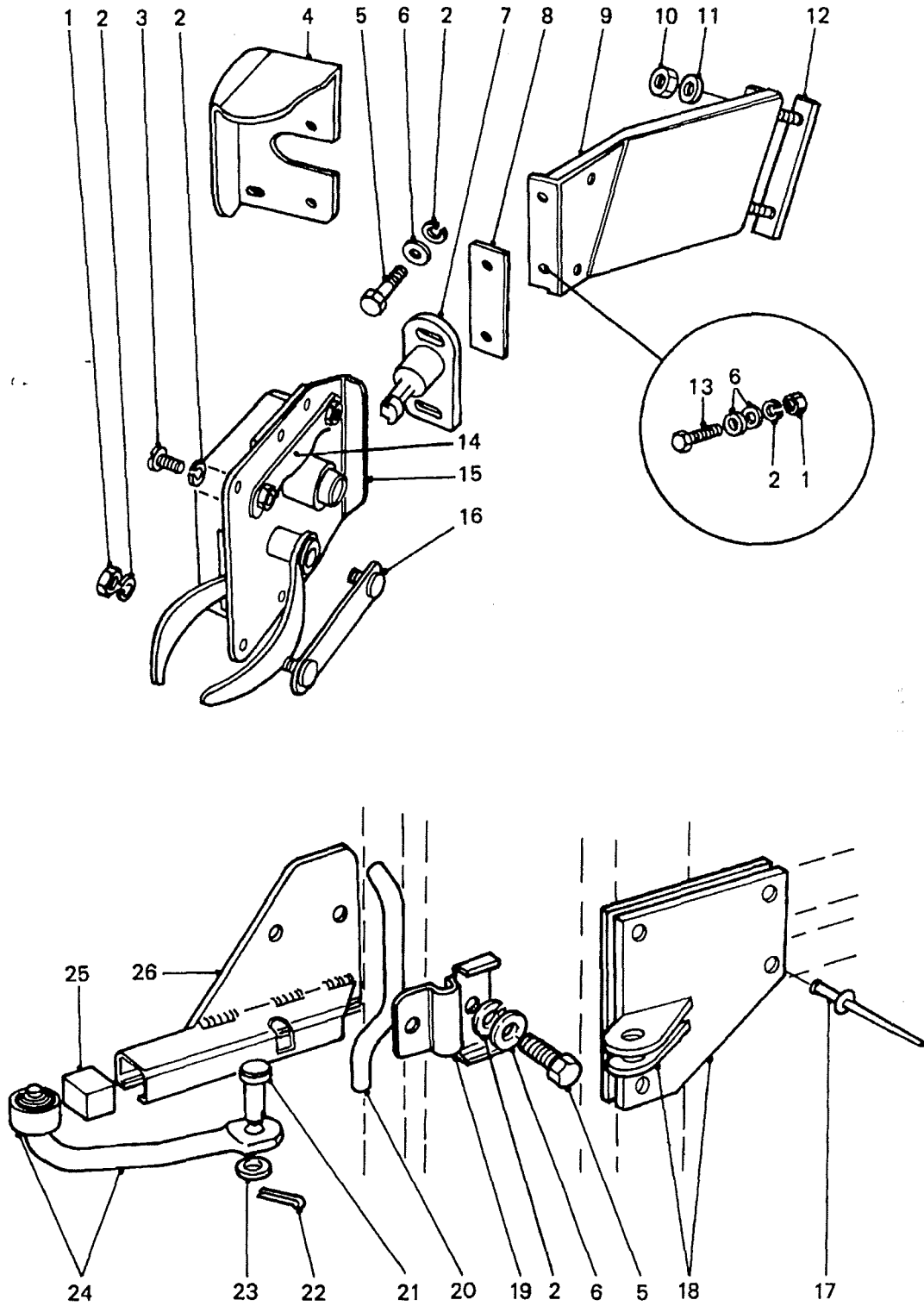


FRONT DOOR LOCK AND CHECK LINK

PERENTIE LAND ROVER PARTS LIST

ITEM	SBA/1/1 PART NO.	FRONT DOOR LOCK AND CHECK LINK DESCRIPTION	NSN	DERIVATIVE CODE								
				2188	2189	2190	2191	2192	2194	2195	2207	CP
1	NH106041L	NUT	5310-66-098-4401	8	8	8	8	8				8
2	WL106001L	WASHER-LOCK	5310-99-137-9232	16	16	16	16	16				16
3	SE106161L	SCREW	5305-99-135-0440	4	4	4	4	4				4
4	MRC9006	SHROUD-RH		1	1	1	1					1
	MRC9007	SHROUD-LH		1	1	1	1					1
5	SH106251L	SCREW	5305-99-122-5362	4	4	4	4	4				4
6	AFU1259	WASHER-PLAIN	5310-99-738-3661	8	8	8	8	8				8
7	R395294	PLATE STRIKER-RH	2540-99-825-4658	1	1	1	1	1				1
	R395295	PLATE-STRIKER-LH	2540-99-825-4659	1	1	1	1	1				1
8	MRC9431	NUT PLATE	5310-66-128-5189	2	2	2	2	2				2
9	MWC1736	BRACKET-SUPPORT-RH		1	1	1	1	1				1
	MWC1737	BRACKET-SUPPORT-LH		1	1	1	1	1				1
10	NH106041L	NUT	5310-66-098-4401	4	4	4	4	4				4
11	WA106041L	WASHER-PLAIN	5310-66-098-4440	4	4	4	4	4				4
12	MUC1049	STUD PLATE	2540-66-128-4826	2	2	2	2	2				2
13	SE106161L	SCREW	5305-99-135-0440	4	4	4	4	4				4
14	MRC9417	RETAINER	2540-99-778-0181	2	2	2	2	2				2
15	HYG3214	DOOR LOCK-RH	2540-99-825-4656	1	1	1	1	1				1
	HYG3215	DOOR LOCK-LH	2540-99-825-4660	1	1	1	1	1				1
16	MTC5536	STUD PLATE	2540-99-721-4472	2	2	2	2	2				2
17	AFU1350	MONOBOLT	5320-66-128-4656	8	8	8	8	8				8
18	HYG4598	BRACKET-LINK-RH	2540-66-128-4845	1	1	1	1	1				1
	HYG4599	BRACKET-LINK-LH	2540-66-128-4846	1	1	1	1	1				1
19	MWC6450	BRACKET-PIVOT		2	2	2	2	2				2
20	MUC6158	BAR-TORSION-RH		1	1	1	1	1				1
	MUC6159	BAR-TORSION-LH		1	1	1	1	1				1
21	R306564	PIN-CLEVIS	5315-99-849-8614	2	2	2	2	2				
21	PC108321L	PIN-CLEVIS	5315-99-760-0774	2	2	2	2	2				2 01
22	PS606051	SPLIT PIN	5315-99-944-0176	2	2	2	2	2				2

GROUP SBA/1



FRONT DOOR LOCK AND CHECK LINK

PERENTIE LAND ROVER PARTS LIST

ITEM	SBA/1/1 PART NO.	FRONT DOOR LOCK AND CHECK LINK DESCRIPTION	NSN	DERIVATIVE CODE							CP
				2188	2189	2190	2191	2192	2194	2195	
23	WA108051L	WASHER-PLAIN	5310-99-122-6475	2	2	2	2	2			2
24	MUC1888	CHECK LINK-RH	2590-99-979-2479	1	1	1	1				
	MUC1889	CHECK LINK-LH	2590-99-978-2480	1	1	1	1				
24	ALR2321	CHECK LINK-RH	2540-66-128-5127	1	1	1	1	1			1 01
	MWC5423	CHECK LINK-LH	2540-66-128-5128	1	1	1	1	1			1 01
25	MWC5759	RUBBER BUFFER	5340-66-128-5250	2	2	2	2	2			2
26	MUC6164	CHANNEL-CHECKLINK-RH		1	1	1	1				
	MUC6163	CHANNEL-CHECKLINK-LH		1	1	1	1				
26	MWC5018	CHANNEL-CHECKLINK-RH		1	1	1	1	1			1 01
	MWC5019	CHANNEL-CHECKLINK-LH		1	1	1	1	1			1 01
	AB608055L	SCREW-DOOR LOCK		2	2	2	2				2
	MTC6858	SEAL-LOCK TO DOOR	5330-99-742-2423	2	2	2	2	2			2
	R347151	SEAL-DOOR LOCK	2540-99-825-4661					2			
	MTC6504	LOCKSET (3 BARRELS)	2540-99-756-5899					1			
	FS108201	SCREW-CHANNEL TO DASH		2	2	2	2	2			2
	WA108051L	WASHER-PLAIN	5310-99-122-6475	4	4	4	4	4			4
	WL108001L	WASHER-LOCK	5310-99-137-9231	2	2	2	2	2			2
	FN108041	NUT	5310-99-499-8033	2	2	2	2	2			2

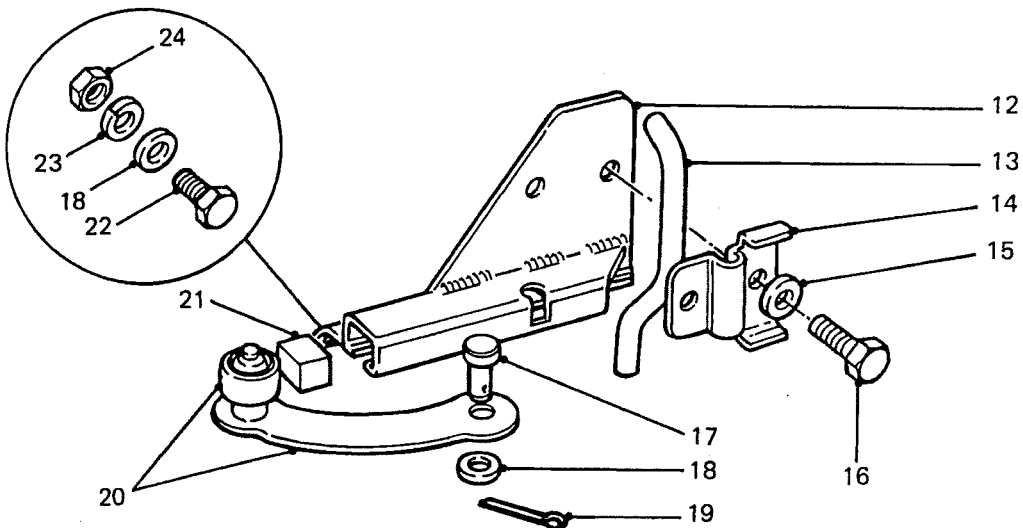
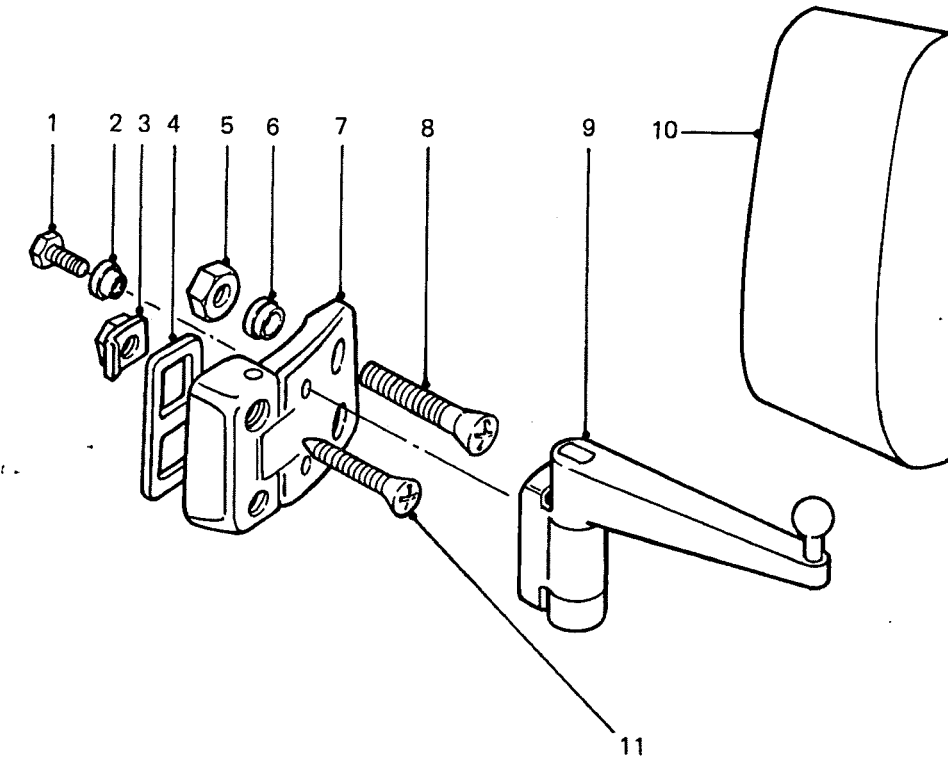
CHANGE POINT

1

ARN INTRODUCTION

48-440 SOFT TOP CARGO

GROUP SBA/2

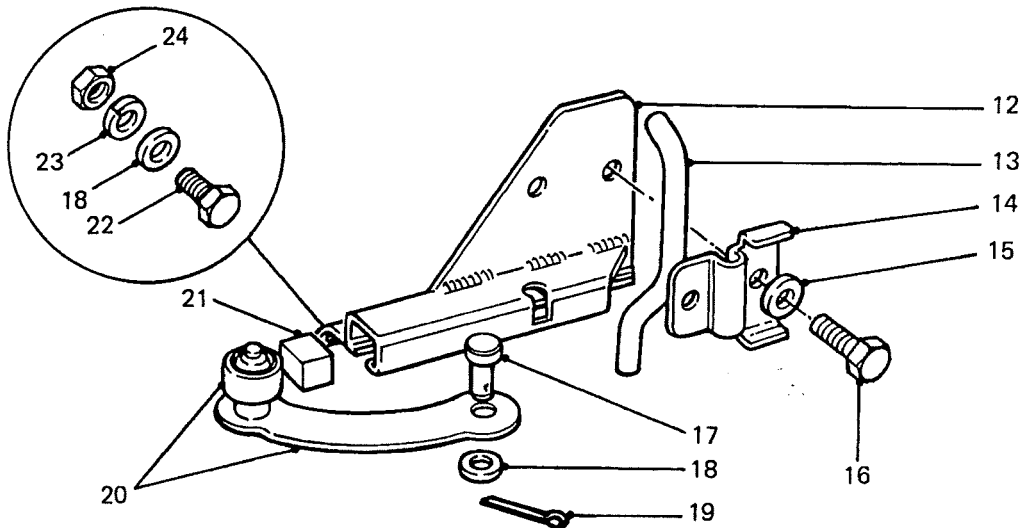
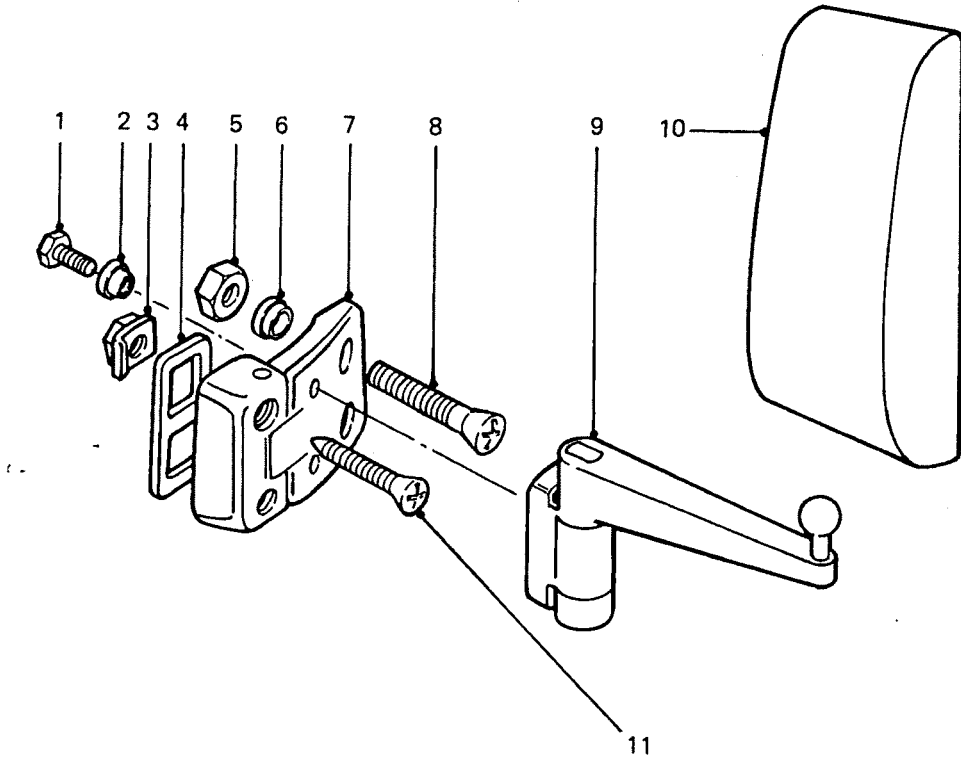


**FRONT SIDE DOOR HINGE, CHECK LINK
AND REAR VIEW MIRROR
– STATION WAGONS ONLY**

PERENTIE LAND ROVER PARTS LIST

ITEM	SBA/2/1 PART NO.	FRONT SIDE DOOR HINGE, CHECK-LINK & REAR V. MIRROR - STATION WAGONS DESCRIPTION	NSN	DERIVATIVE CODE								CP
				2188	2189	2190	2191	2192	2194	2195	2207	
1	SE604071L	SCREW	5305-99-101-3938							4	4	
2	MRC1979	WASHER-NYLON	5340-99-138-0387							4	4	
3	MRC2178	NUT	5310-99-138-5889							8	8	
4	R347369	WASHER	5330-99-824-8467							4	4	
5	NH605041L	NUT	5310-99-136-1515							8	8	
6	MRC1980	WASHER-NYLON	2510-99-829-7487							8	8	
7	MXC8284	HINGE-UPPER-RH	2510-66-128-6237							1	1	
7	MXC8285	HINGE-UPPER-LH	2510-66-128-6236							1	1	
7	MXC8282	HINGE-LOWER-RH	2510-99-824-8458							1	1	
7	MXC8283	HINGE-LOWER-LH	2510-99-824-8459							1	1	
8	MWC1899	SCREW-HINGE	5305-66-128-5090							8	8	
9	MTC5083	ARM-MIRROR	2540-99-795-3170							2	2	
10	MUC3707	MIRROR HEAD-RH	2540-66-128-4280							1	1	
10	MUC3708	MIRROR HEAD-LH	2540-66-128-4281							1	1	
11	R79221	SCREW	5305-99-941-1769							8	8	
12	MWC5018	CHANNEL-CHECKLINK-RH								1	1	
12	MWC5019	CHANNEL-CHECKLINK-LH								1	1	
13	MUC6158	BAR-TORSION-RH								1	1	
13	MUC6159	BAR-TORSION-LH								1	1	
14	MWC6450	BRACKET-PIVOT								2	2	
15	WA106041L	WASHER-PLAIN	5310-66-098-4440							4	4	
16	SH106301L	SCREW	5305-99-122-5363							4	4	
17	PC108321L	PIN-CLEVIS	5315-99-760-0774							2	2	
18	WA108051L	WASHER-PLAIN	5310-99-122-6475							6	6	
19	PS606040	SPLIT PIN	5315-66-097-0328							2	2	
20	ALR2321	CHECK LINK-RH	2540-66-128-5127							1	1	
20	MWC5423	CHECK LINK-LH	2540-66-128-5128							1	1	
21	MWC5759	RUBBER BUFFER	5340-66-128-5250							2	2	
22	FS108201	SCREW								2	2	

GROUP SBA/2



**FRONT SIDE DOOR HINGE, CHECK LINK
AND REAR VIEW MIRROR
– STATION WAGONS ONLY**

PERENTIE LAND ROVER PARTS LIST

SBA/2/1

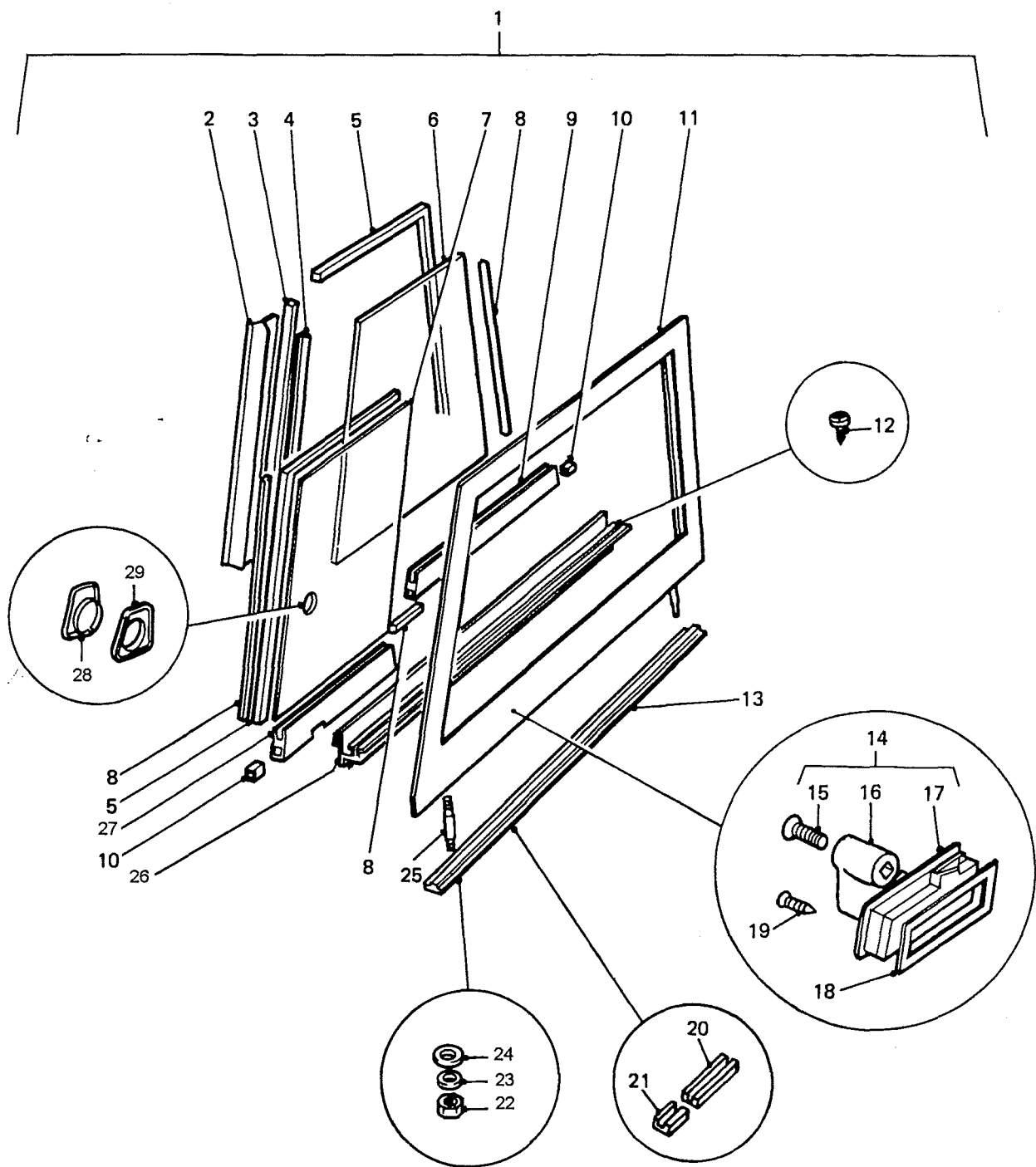
FRONT SIDE DOOR HINGE, CHECK-LINK & REAR V. MIRROR - STATION WAGONS

<u>ITEM</u>	<u>PART NO.</u>	<u>DESCRIPTION</u>	<u>NSN</u>	<u>DERIVATIVE CODE</u>								
				<u>2188</u>	<u>2189</u>	<u>2190</u>	<u>2191</u>	<u>2192</u>	<u>2194</u>	<u>2195</u>	<u>2207</u>	<u>CP</u>
23	WL108001L	WASHER-LOCK	5310-99-137-9231								2	2
24	FN108041	NUT	5310-99-499-8033								2	2
	HYM444	MIRROR-BLIND SPOT	2540-66-135-0374								2	2
	RTC4342	GLASS-MIRROR	9340-66-128-5849								1	1

CHANGE POINT

ARN INTRODUCTION

GROUP SBB/1



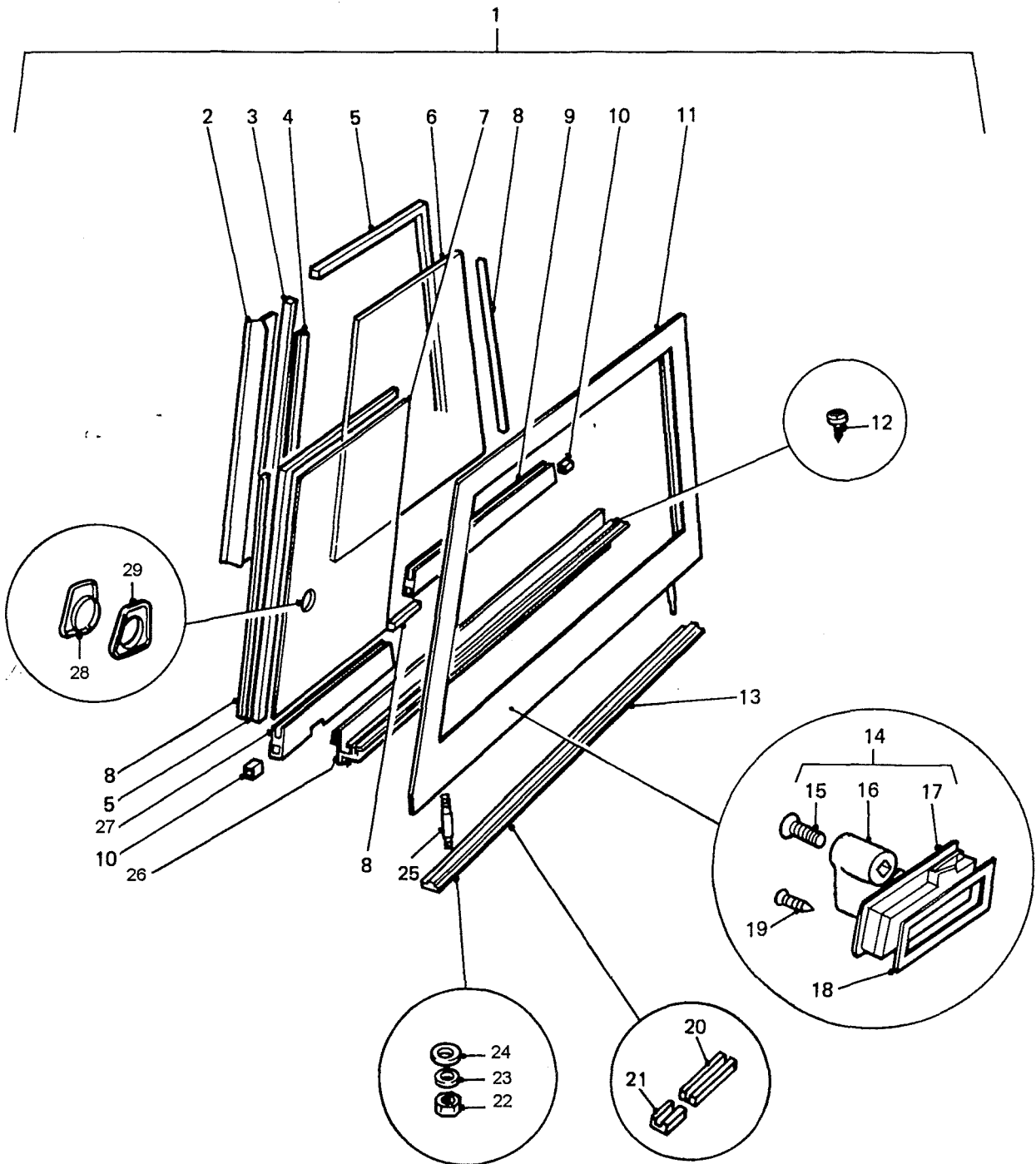
FRONT DOOR SIDESCREEN

PERENTIE LAND ROVER PARTS LIST

ITEM	SBB/1/1 PART NO.	FRONT DOOR SIDESCREEN DESCRIPTION	NSN	DERIVATIVE CODE							CP
				2188	2189	2190	2191	2192	2194	2195	
1	MWC4746	SIDESCREEN-RH	2510-66-128-5851	1	1	1	1	1			1
1	MWC4747	SIDESCREEN-LH	2510-66-128-5850	1	1	1	1	1			1
2	MTC6214	DRAUGHT RAIL-RH	2590-66-128-4876	1	1	1	1	1			1
2	MTC6215	DRAUGHT RAIL-LH	2590-66-128-4875	1	1	1	1	1			1
3	MTC7616	RUBBER-GLAZING- SLIDE RAIL	9320-66-128-4697	4	4	4	4				01
3	MWC4752	RUBBER-GLAZING- SLIDE-RAIL	9320-66-128-5853	4	4	4	4	4			4 02
3	MTC7617	RUBBER-GLAZING- DRAUGHT RAIL	9330-99-721-5131	2	2	2	2				01
3	MWC4753	RUBBER-GLAZING- DRAUGHT RAIL	9330-99-721-5131	2	2	2	2	2			2 02
4	MTC6222	WEATHERSEAL	2510-99-797-6076	2	2	2	2	2			2
5	MTC7622	FELT-GLAZING-683MM LONG	5330-66-128-4682	12	12	12	12	12			12 01
5	MWC4757	FELT-GLAZING-585MM LONG	5330-66-128-5854	12	12	12	12	12			12 02
6	MTC6267	GLASS-INNER-5MM	2510-99-721-5126	2	2	2	2				01
6	HYG3088	GLASS-INNER-4MM		2	2	2	2	2			2 02
7	MTC6266	GLASS-OUTER-5MM	2510-99-721-5125	2	2	2	2				01
7	HYG3087	GLASS-OUTER-4MM		2	2	2	2	2			2 02
8	MTC7611	INFILL RUBBER		6	6	6	6	6			6
9	MTC6210	SLIDE RAIL-RH	2590-66-128-4881	1	1	1	1	1			1

Dec 1999

GROUP SBB/1

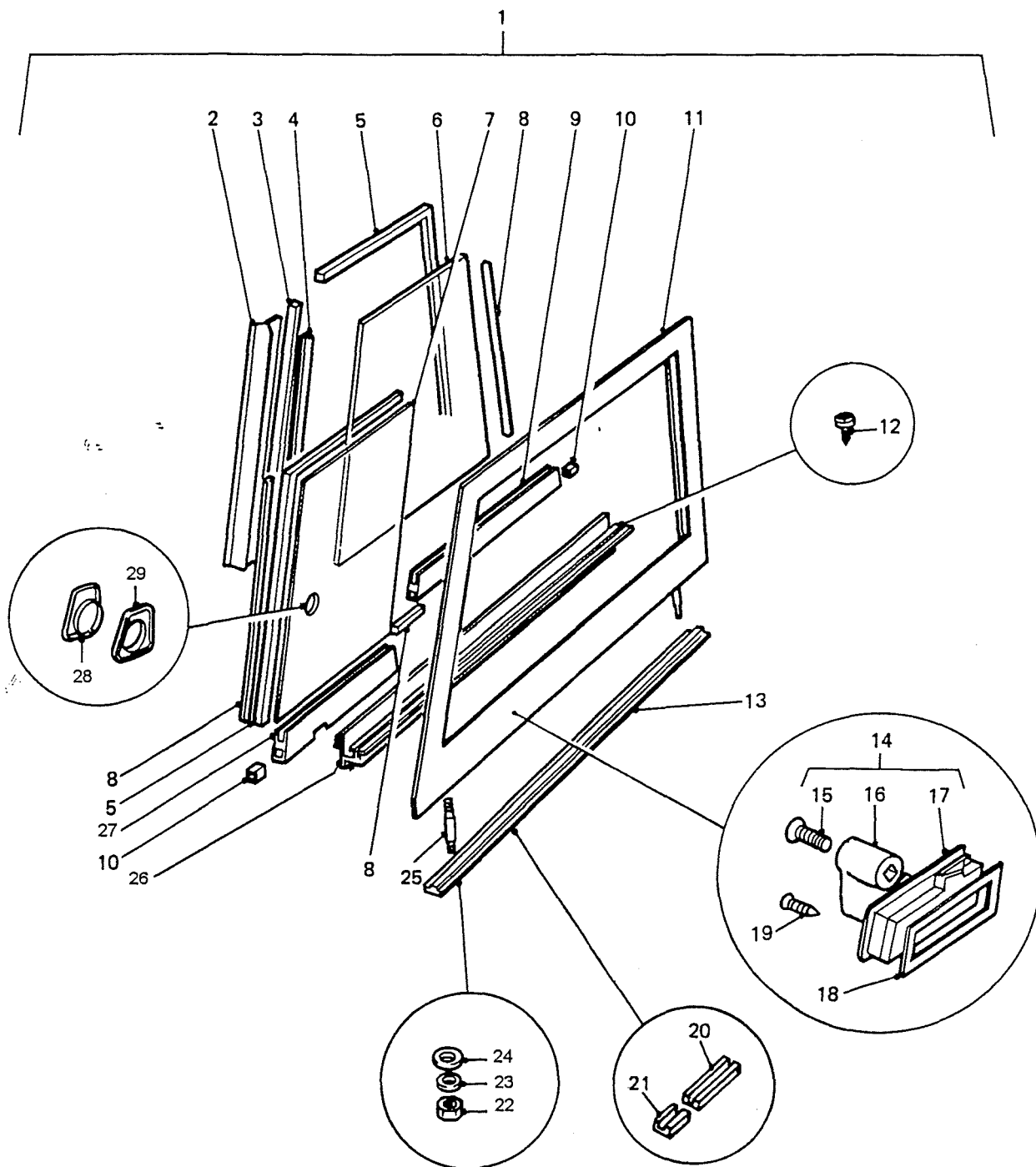


FRONT DOOR SIDESCREEN

PERENTIE LAND ROVER PARTS LIST

ITEM	SBB/1/1 PART NO.	FRONT DOOR SIDESCREEN DESCRIPTION	NSN	DERIVATIVE CODE							CP
				2188	2189	2190	2191	2192	2194	2195	
9	MTC6211	SLIDE RAIL-LH	2590-99-978-2928	1	1	1	1	1			1
10	MTC6221	RUNNER-BLOCK	2510-99-797-6078	12	12	12	12	12			12
11	NSS										
12	AB606031L	SCREW	5305-99-901-9736	12	12	12	12	12			12
13	RRC7575	SEAL-SIDESCREEN TO DOOR	5330-99-721-5137	2	2	2	2	2			2
14	RRC4878	CATCH-WINDOW-RH	2540-66-128-4915	1	1	1	1	1			1
14	RRC4879	CATCH-WINDOW-LH	2540-66-128-4914	1	1	1	1	1			1
15	ADU1221L	SCREW	5305-66-128-4668	2	2	2	2	2			2
16	RRC4810	KNOB-CATCH	5355-66-128-4667	2	2	2	2	2			2
17	NSS										
18	RRC7578	GASKET	5330-66-128-4669	2	2	2	2	2			2
19	AB606044	SCREW	5305-66-128-4609	8	8	8	8	8			8
20	MTC7549	PAD-LONG	5330-99-742-2433	8	8	8	8	8			8 01
20	MTC7549	PAD-LONG	5330-99-742-2433	4	4	4	4	4			4 02
21	MTC7550	PAD-SHORT	5330-99-742-2434	4	4	4	4	4			4
22	FN110041	NUT		4	4	4	4	4			4
23	WL110001L	WASHER-LOCK	5310-99-138-9228	4	4	4	4	4			4
24	WA110061L	WASHER-PLAIN	5310-99-122-6476	4	4	4	4	4			4
25	MTC6223	STUD		4	4	4	4	4			4
26	MTC6206	RAIL-REMOVABLE-RH	2590-66-128-4883	1	1	1	1	1			1
26	MTC6207	RAIL-REMOVABLE-LH	2590-66-128-4882	1	1	1	1	1			1
27	MTC6208	SLIDE RAIL-RH	2590-66-128-4886	1	1	1	1	1			1
27	MTC6209	SLIDE RAIL-LH	2590-66-128-4885	1	1	1	1	1			1
28	MTC6276	FINGER PULL-INNER-RH	2540-99-721-5129	1	1	1	1	1			1
28	MTC6278	FINGER PULL-INNER-LH	2540-99-721-5130	1	1	1	1	1			1
29	MTC6277	FINGER PULL-OUTER-RH	2540-99-721-5127	1	1	1	1				01

GROUP SBB/1



FRONT DOOR SIDESCREEN

PERENTIE LAND ROVER PARTS LIST

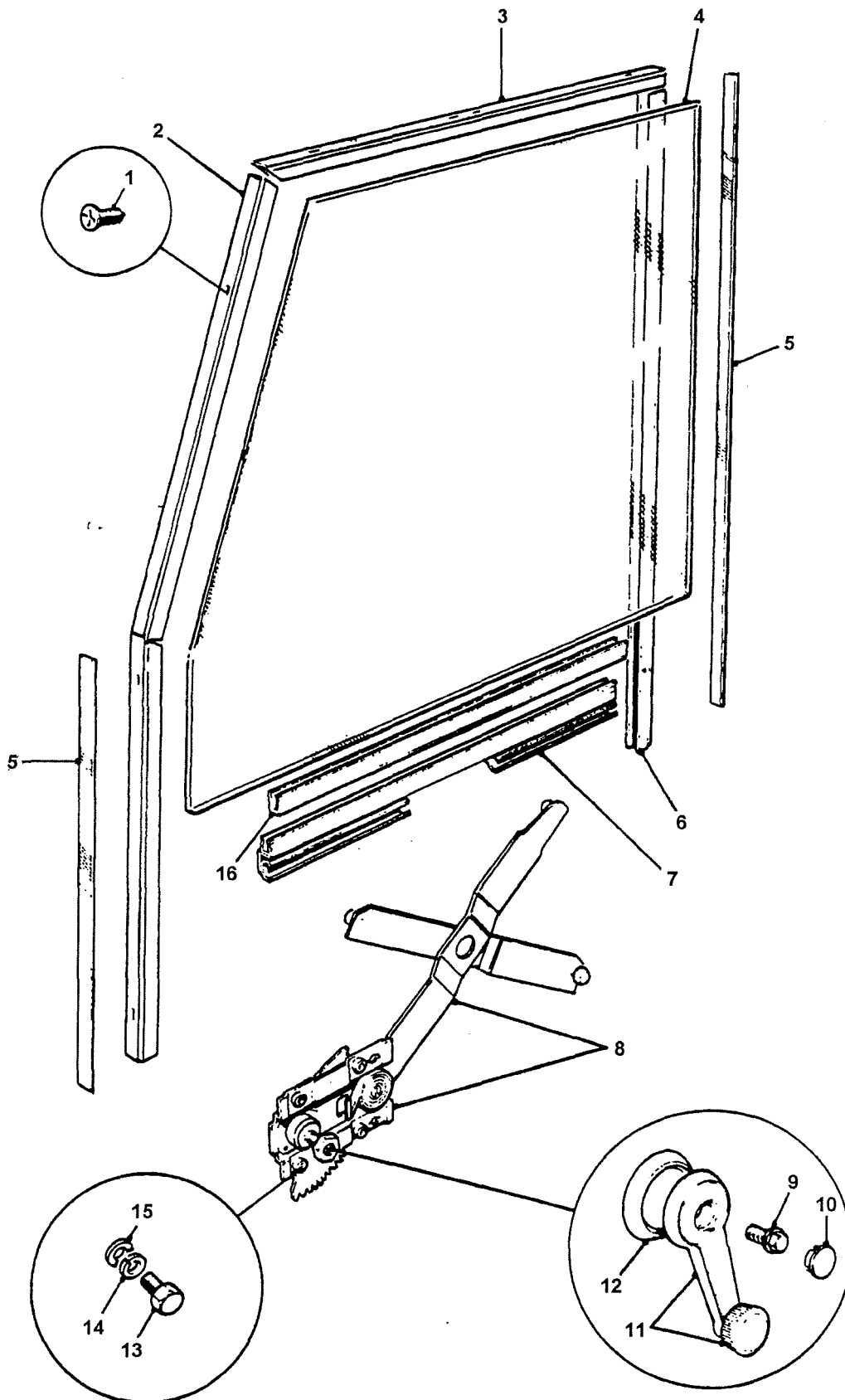
<u>ITEM</u>	<u>SBB/1/1</u> <u>PART NO.</u>	<u>FRONT DOOR SIDESCREEN</u> <u>DESCRIPTION</u>	<u>NSN</u>	<u>DERIVATIVE CODE</u>							<u>CP</u>	
				<u>2188</u>	<u>2189</u>	<u>2190</u>	<u>2191</u>	<u>2192</u>	<u>2194</u>	<u>2195</u>		<u>2207</u>
29	MWC4790	FINGER PULL-OUTER-RH		1	1	1	1	1			1	02
29	MTC6279	FINGER PULL-OUTER-LH	2540-99-721-5128	1	1	1	1					01
29	MWC4791	FINGER PULL-OUTER-LH		1	1	1	1	1			1	02
	RRC7577	SEAL-FINGER PULL		2	2	2	2					2

CHANGE POINT

ARN INTRODUCTION

- 1 FITTED WITH 5MM GLASS
- 2 FITTED WITH 4MM GLASS

GROUP SBB/2



**FRONT SIDE DOOR WINDOW GLASS
AND WIND - UP MECHANISM
- STATION WAGONS ONLY**

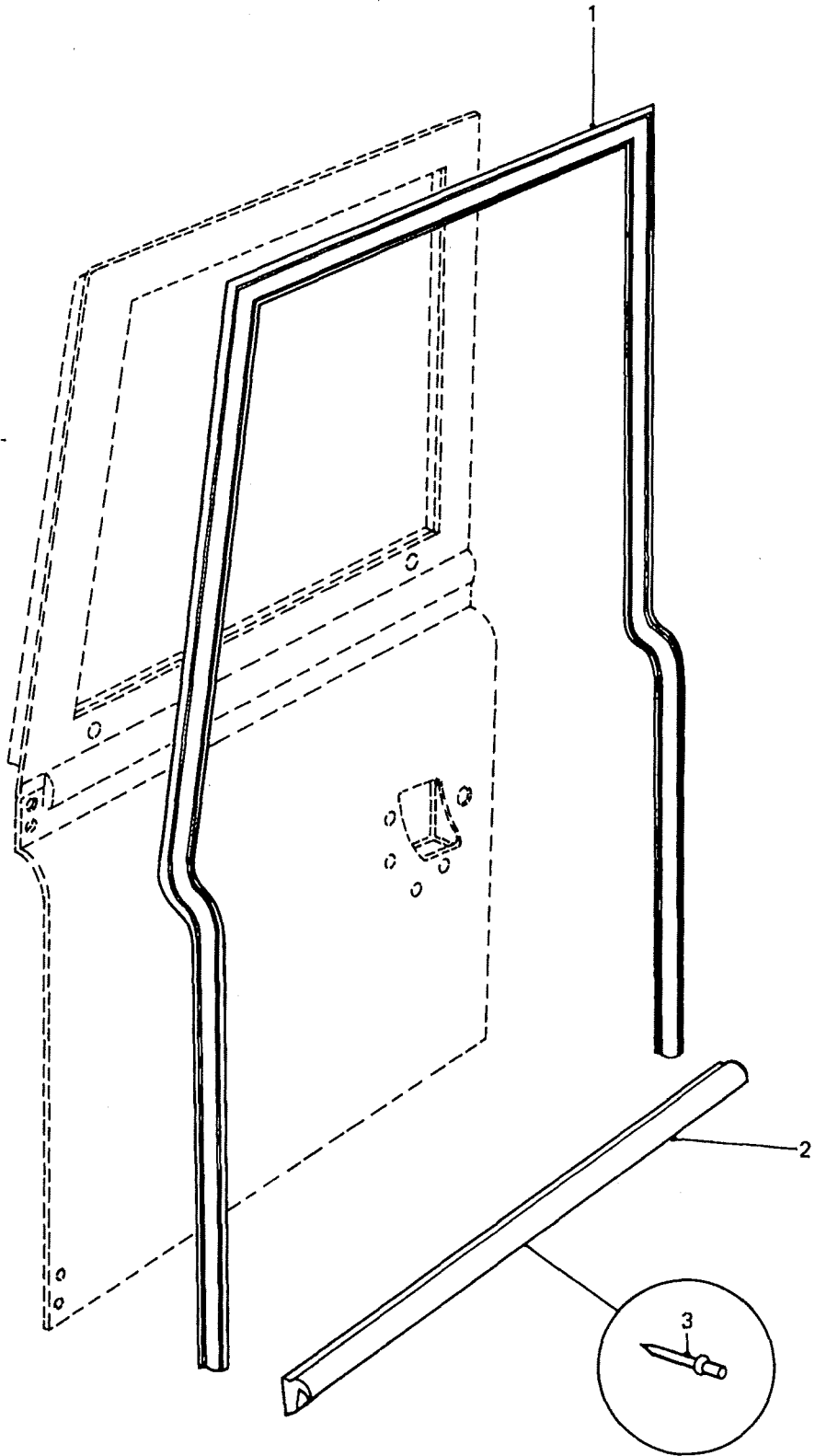
PERENTIE LAND ROVER PARTS LIST

ITEM	PART NO.	DESCRIPTION	NSN	DERIVATIVE CODE								
				2188	2189	2190	2191	2192	2194	2195	2207	CP
1	AC606031L	SCREW	5305-66-128-5091							12	12	
1	AC606041L	SCREW	5305-99-135-7506							12	12	
2	MUC4071	CHANNEL	2540-66-128-5129							2	2	
3	MTC8468	CHANNEL-TOP	2540-99-777-0335							2	2	
4	MTC7825	GLASS-FRONT	2510-99-777-5295							2	2	
5	MUC4073	SHIM-CHANNEL ADJUSTMENT	5365-66-128-5215							1	1	
6	MUC4072	CHANNEL-VERTICAL-REAR	2540-66-128-5131							2	2	
7	MTC8477	CHANNEL-LIFTING	2540-99-777-0333							2	2	
8	MUC3024	REGULATOR-RH	2590-99-978-2586							1	1	
8	MUC3025	REGULATOR-LH	2590-99-782-0583							1	1	
9	ADU5727L	SCREW	5305-99-769-4643							2	2	
10	RTC3940PA	COVER-REGULATOR HANDLE	2540-99-769-4641							2	2	
11	RTC3939PA	HANDLE-REGULATOR	2540-99-769-4640							2	2	
12	JPC9023PMA	ESCUTCHEON								2	2	
13	SH106101L	SCREW								8	8	
14	WL106001L	WASHER-LOCK	5310-99-137-9232							8	8	
15	WA106041L	WASHER-PLAIN	5310-66-098-4440							8	8	
16	MUC1713	GLAZING RUBBER	9320-99-777-0332							2	2	

CHANGE POINT

ARN INTRODUCTION

GROUP SBC/1



FRONT DOOR SEALS

PERENTIE LAND ROVER PARTS LIST

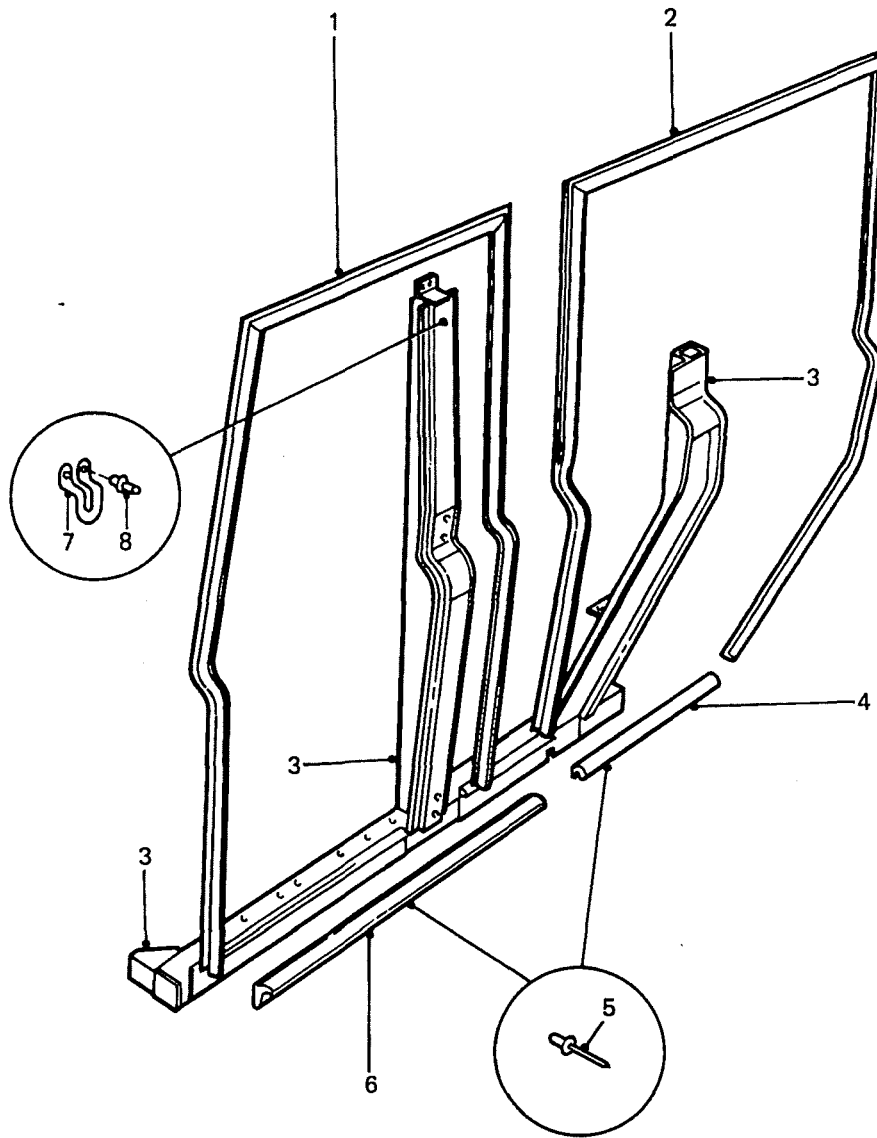
SBC/1/1 FRONT DOOR SEALS

<u>ITEM</u>	<u>PART NO.</u>	<u>DESCRIPTION</u>	<u>NSN</u>	<u>DERIVATIVE CODE</u>							
				<u>2188</u>	<u>2189</u>	<u>2190</u>	<u>2191</u>	<u>2192</u>	<u>2194</u>	<u>2195</u>	<u>2207</u>
1	MWC1080	SEAL-DOOR-RH	5330-99-749-5738	1	1	1	1	1			1
1	MWC1081	SEAL-DOOR-LH	2510-99-764-6290	1	1	1	1	1			1
2	MWC6130	SEAL-SILL	5330-66-128-4680	2	2	2	2	2			2
3	R78248	POP RIVET	5320-99-970-3518	16	16	16	16	16			16

CHANGE POINT

ARN INTRODUCTION

GROUP SBC/2



**FRONT AND REAR SIDE DOOR
FRAME AND SEALS
– STATION WAGONS ONLY**

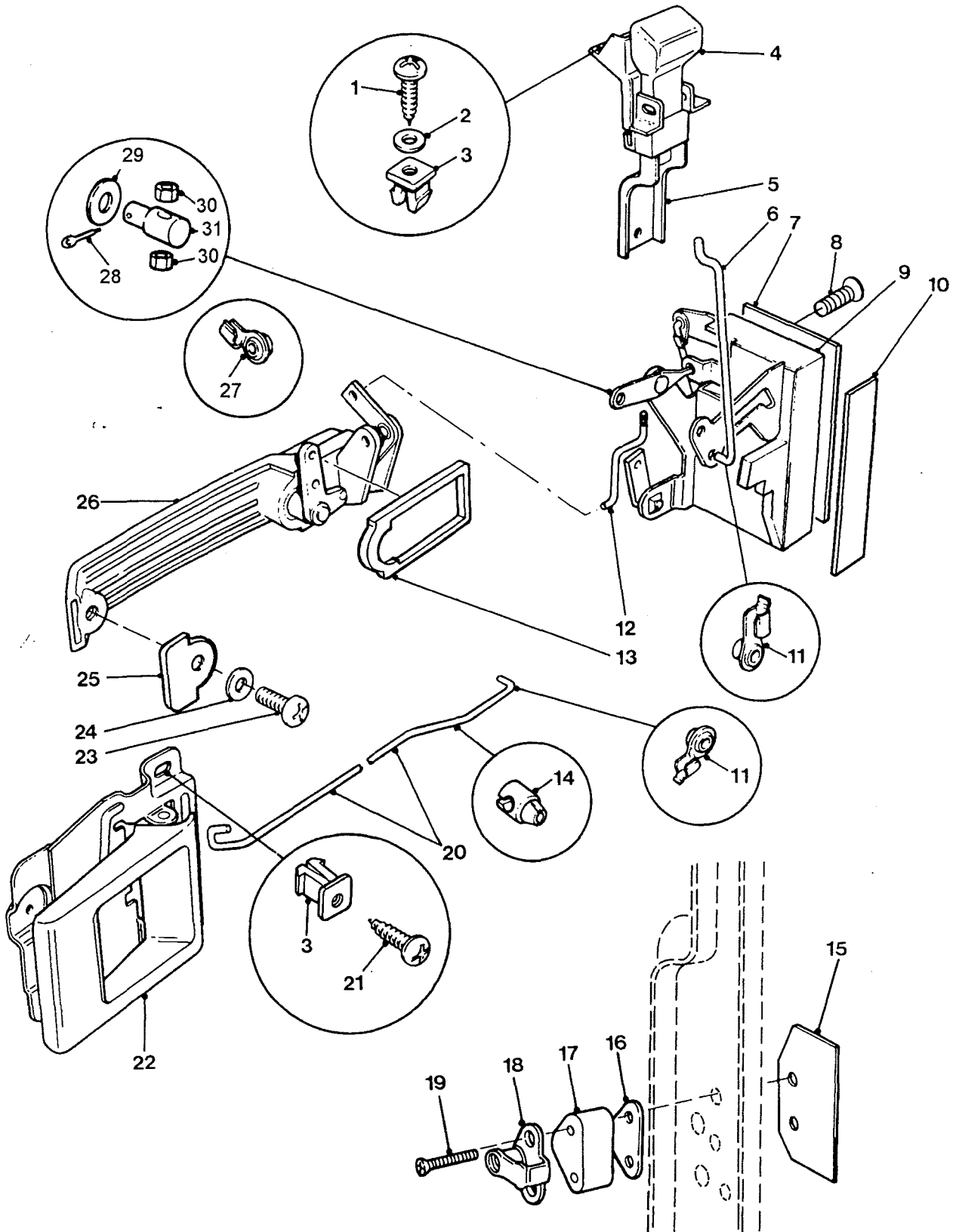
PERENTIE LAND ROVER PARTS LIST

<u>ITEM</u>	<u>PART NO.</u>	<u>DESCRIPTION</u>	<u>NSN</u>	<u>DERIVATIVE CODE</u>								<u>CP</u>
				<u>2188</u>	<u>2189</u>	<u>2190</u>	<u>2191</u>	<u>2192</u>	<u>2194</u>	<u>2195</u>	<u>2207</u>	
1	MWC1080	SEAL-DOOR-RH	5330-99-749-5738							1	1	
1	MWC1081	SEAL-DOOR-LH	2510-99-764-6290							1	1	
2	MWC1082	SEAL-DOOR-RH-REAR	5330-66-128-5259							1	1	
2	MWC1083	SEAL-DOOR-LH-REAR	5330-66-128-5260							1	1	
3	HYG3228	FRAME-DOOR-RH (INCLUDES ITEMS 7 & 8)								1	1	
3	HYG3229	FRAME-DOOR-LH (INCLUDES ITEMS 7 & 8)								1	1	
4	MWC6128	SEAL-SILL-RH	5330-66-128-5258							1	1	
4	MWC6129	SEAL-SILL-LH	5330-66-128-5257							1	1	
5	R78248	POP RIVET	5320-99-970-3518							24	24	
6	MWC6130	SEAL-SILL	5330-66-128-4680							2	2	
7	R345699	HOOK-ROPE	2510-99-820-7552							2	2	
8	AFU1298	MONOBOLT	5320-66-128-5186							6	6	
	R338021	PLUG-DOOR FRAME								4	4	

CHANGE POINT

ARN INTRODUCTION

GROUP SBD

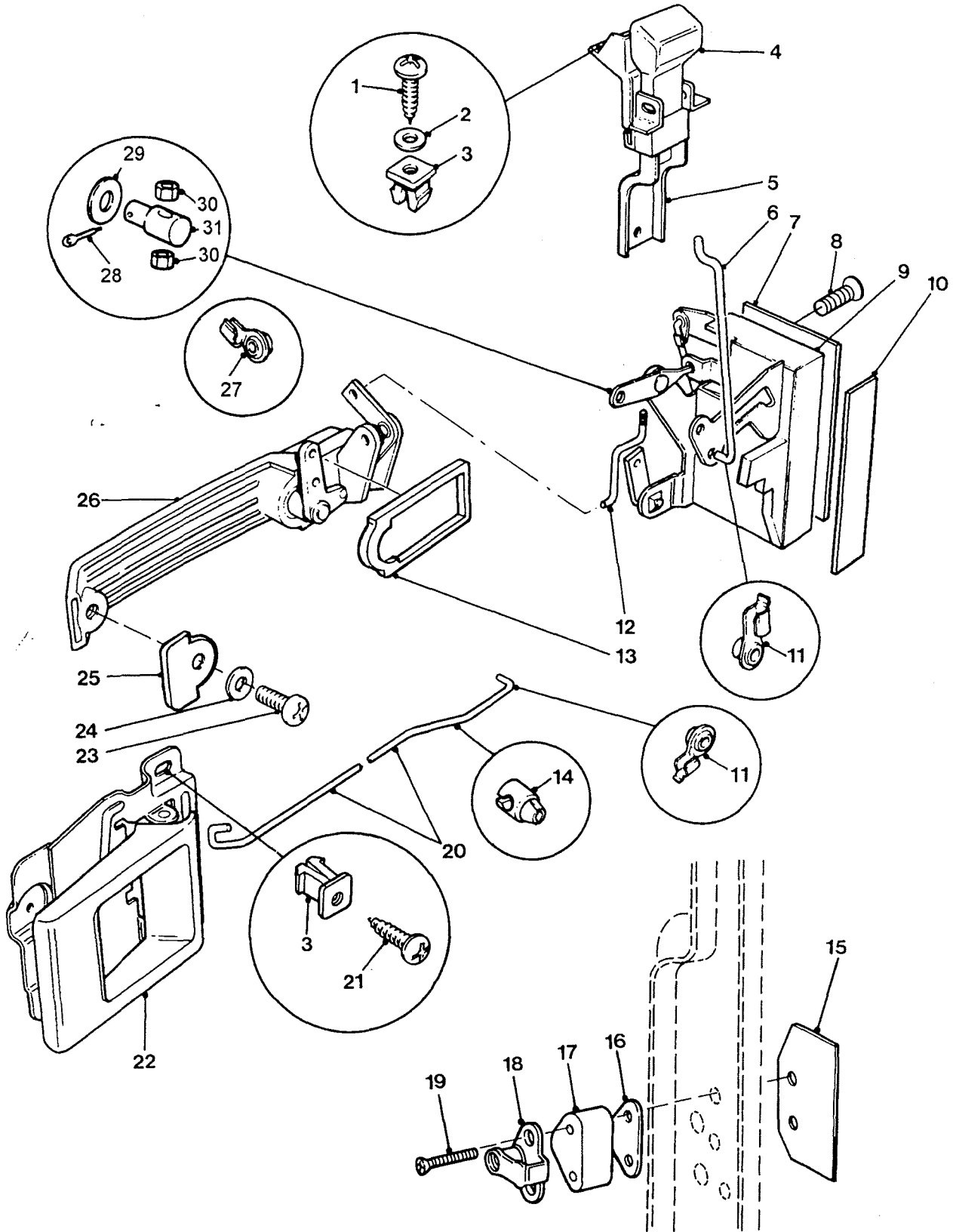


**FRONT SIDE DOOR LOCK MECHANISM
– STATION WAGONS ONLY**

PERENTIE LAND ROVER PARTS LIST

ITEM	SBD/1/1 PART NO.	FRONT SIDE DOOR LOCK MECHANISM - STATION WAGONS ONLY DESCRIPTION	NSN	DERIVATIVE CODE							CP	
				2188	2189	2190	2191	2192	2194	2195		2207
1	AB606041L	SCREW	5305-99-950-4416							4	4	
2	WA104001L	WASHER-PLAIN	5310-99-122-3031							4	4	
3	MWC1950	NUT-LOKUT	5310-66-128-5213							4	4	
4	JRC1775	BUTTON DOOR								2	2	
5	BRC8965PMA	HSG LOCK CONTROL								2	2	
6	MWC1484	LINK-SILL LOCK								2	2	
7	MXC8222	GASKET-DOOR-RH								1	1	
7	MXC8223	GASKET-DOOR-LH								1	1	
8	SF106161L	SCREW	5305-99-122-5290							6	6	
9	MWC1476	LATCH ASSY RH-FRONT	2540-66-128-5133							1	1	
9	MWC1477	LATCH ASSY LH-FRONT	2540-66-128-5135							1	1	
10	MXC8224	SEAL-LOCK-RH								1	1	
10	MXC8225	SEAL-LOCK-LH								1	1	
11	BFP1265	CLIP-LINKAGE								4	4	
12	MWC4846	LINK-DOOR LOCK-RH								1	1	
12	MWC4847	LINK-DOOR LOCK-LH								1	1	
13	ABR5848	GASKET-HANDLE								2	2	
14	GHF1192	CLIP	2530-99-830-2724							2	2	
15	MWC1812	PLATE-RH-STRIKER								1	1	
15	MWC1813	PLATE-LH-STRIKER								1	1	
16	MWC3148	SHIM-STRIKER								2	2	
17	MUC7809	SHIM-STRIKER								2	2	
18	MUC8526	STRIKER-DOOR	5340-66-128-5247							2	2	
19	SF106401	SCREW	5305-66-128-5217							4	4	
20	MWC1486	LINK-HANDLE-RH								1	1	
20	MWC1487	LINK-HANDLE-LH								1	1	
21	MUC3394	DRIVE SCREW	5305-66-128-5246							4	4	
22	DBP5840PMA	HANDLE-DOOR-INNER-RH	2540-66-128-5142							1	1	
22	DBP5841PMA	HANDLE-DOOR-INNER-LH	2540-66-128-5143							1	1	

GROUP SBD



**FRONT SIDE DOOR LOCK MECHANISM
- STATION WAGONS ONLY**

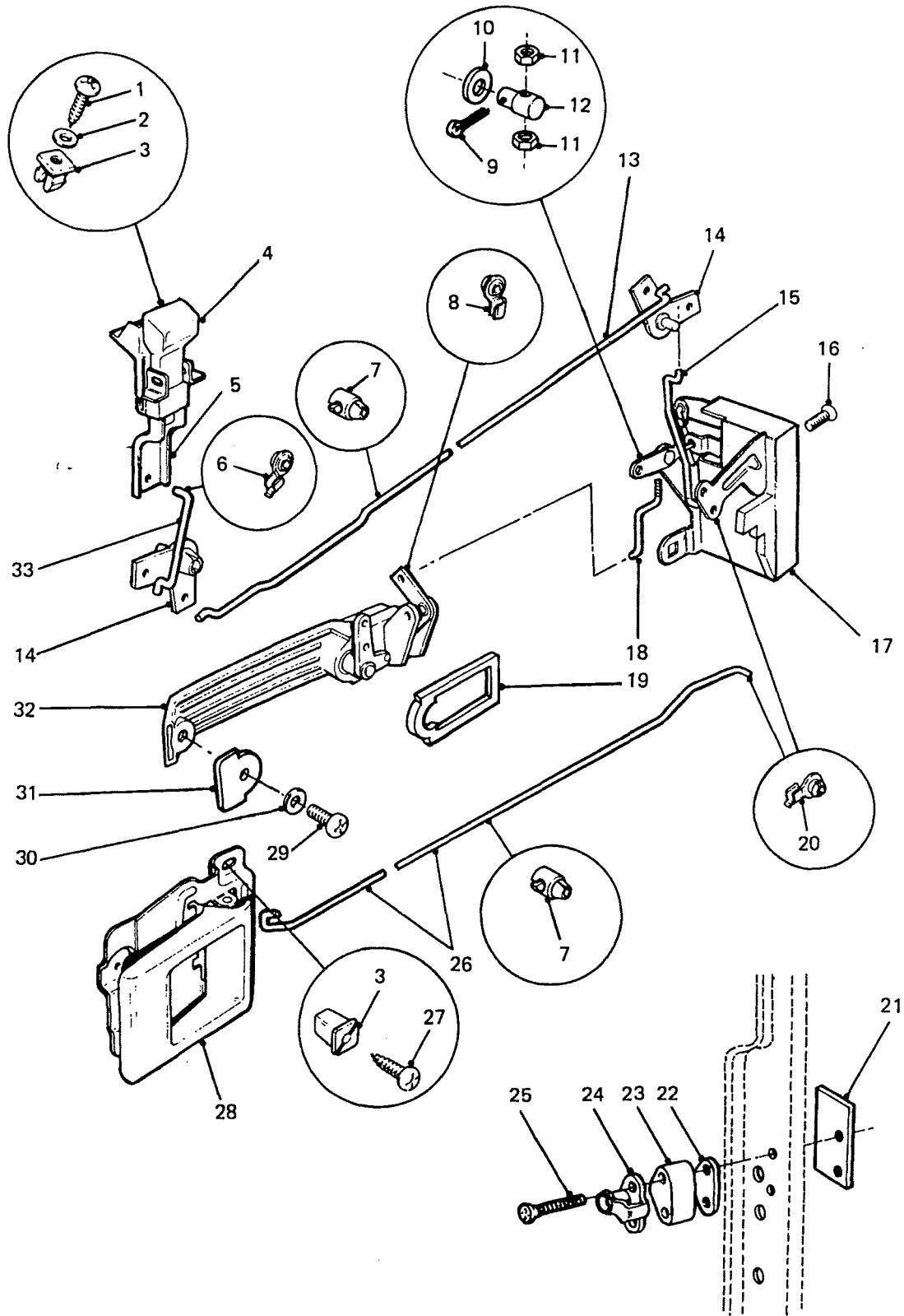
PERENTIE LAND ROVER PARTS LIST

ITEM	SBD/1/1 PART NO.	FRONT SIDE DOOR LOCK MECHANISM - STATION WAGONS ONLY DESCRIPTION	NSN	DERIVATIVE CODE							CP
				2188	2189	2190	2191	2192	2194	2195	
23	SE105101L	SCREW	5305-99-135-0428						4	4	
24	WA105001L	WASHER-PLAIN	5310-66-098-4439						4	4	
25	STC617	KIT-GASKET-HANDLE							2	2	
26	MXC7652	HANDLE-DOOR-OUTER-RH	2540-66-128-5802						1	1	
26	MXC7651	HANDLE-DOOR-OUTER-LH	2540-66-128-5803						1	1	
27	R634604	CLIP-LINKAGE	5340-66-128-5268						2	2	
27	BHA4705L	CLIP-LINKAGE	2540-99-777-0347						2	2	
28	PS103101L	SPLIT PIN	5315-66-128-5248						2	2	
29	WA106041L	WASHER-PLAIN	5310-66-098-4440						2	2	
30	NH104041L	NUT	5310-66-128-4720						4	4	
31	MWC4850	ADJUSTER-LATCH							2	2	
	MTC6504	LOCK SET (3 BARRELS)	2540-99-756-5899						1	1	
	MWC1480	LINK-RH-EXTERNAL LOCK							1	1	
	MWC1481	LINK-LH-EXTERNAL LOCK							1	1	

CHANGE POINT

ARN INTRODUCTION

GROUP SBE

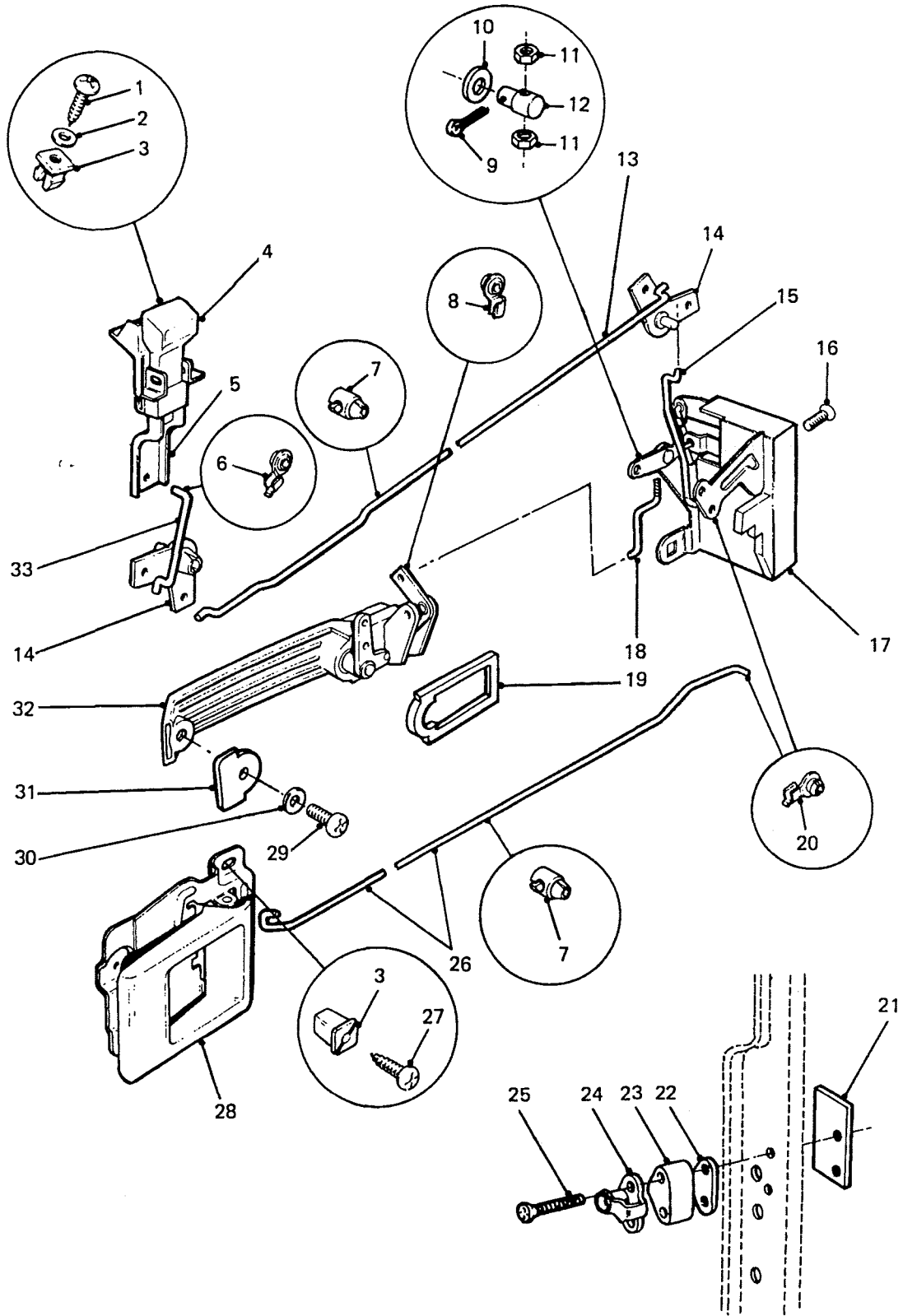


**REAR SIDE DOOR LOCK MECHANISM
– STATION WAGONS ONLY**

PERENTIE LAND ROVER PARTS LIST

ITEM	PART NO.	DESCRIPTION	NSN	DERIVATIVE CODE								
				2188	2189	2190	2191	2192	2194	2195	2207	CP
1	AB606041L	SCREW	5305-99-950-4416							4	4	
2	WA104001L	WASHER-PLAIN	5310-99-122-3031							4	4	
3	MWC1950	NUT-LOKUT	5310-66-128-5213							8	8	
4	JRC1775	BUTTON DOOR								2	2	
5	BRC8965PMA	HSG LOCK CONTROL								2	2	
6	R634604	CLIP-LINKAGE	5340-66-128-5268							2	2	
7	GHF1192	CLIP	2530-99-830-2724							4	4	
8	BHA4705L	CLIP-LINKAGE	2540-99-777-0347							4	4	
9	PS103101L	SPLIT PIN	5315-66-128-5248							2	2	
10	WA106041L	WASHER-PLAIN	5310-66-098-4440							2	2	
11	NH104041L	NUT	5310-66-128-4720							4	4	
12	MWC4850	ADJUSTER-LATCH								2	2	
13	MUC8365	LINK-INTERMEDIATE								2	2	
14	DZA1435L	BELL CRANK LEVER	3040-66-128-5132							4	4	
15	MWC1485	LINK-SILL LOCK								2	2	
16	SF106161L	SCREW	5305-99-122-5290							6	6	
17	MWC1488	LATCH ASSY-RH	2540-66-128-5130							1	1	
17	MWC1489	LATCH ASSY-LH	2540-66-128-5134							1	1	
18	MWC5002	LINK-DOOR LOCK-RH								1	1	
18	MWC5001	LINK-DOOR LOCK-LH								1	1	
19	STC617	KIT-GASKET-HANDLE								1	1	
20	BFP1265	CLIP-LINKAGE	5340-66-128-5267							4	4	
21	MWC1622	REINFORCEMENT								2	2	
22	MWC3148	SHIM-STRIKER								2	2	
23	MUC7809	SHIM-STRIKER								2	2	
24	MUC8526	STRIKER-DOOR	5340-66-128-5247							2	2	
25	SF106401	SCREW	5305-66-128-5217							4	4	
26	MWC1492	LINK-HANDLE-RH								1	1	
26	MWC1493	LINK-HANDLE-LH								1	1	

GROUP SBE



**REAR SIDE DOOR LOCK MECHANISM
– STATION WAGONS ONLY**

PERENTIE LAND ROVER PARTS LIST

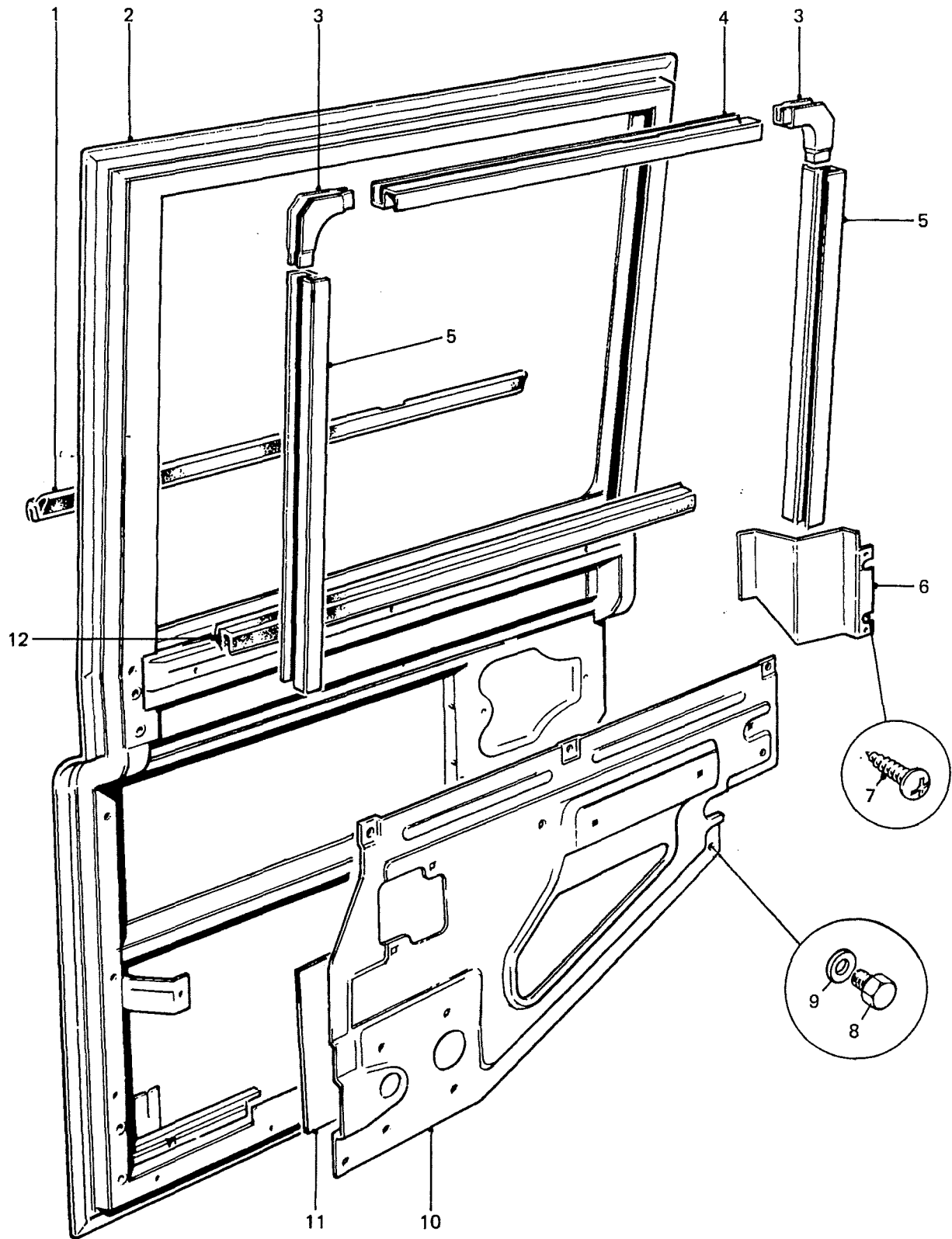
SBE/1/1 REAR SIDE DOOR LOCK MECHANISM - STATION WAGONS ONLY

<u>ITEM</u>	<u>PART NO.</u>	<u>DESCRIPTION</u>	<u>NSN</u>	<u>DERIVATIVE CODE</u>							<u>CP</u>	
				<u>2188</u>	<u>2189</u>	<u>2190</u>	<u>2191</u>	<u>2192</u>	<u>2194</u>	<u>2195</u>		<u>2207</u>
27	MUC3394	DRIVE SCREW	5305-66-128-5246							4	4	
28	DBP5840PMA	HANDLE-DOOR-INNER-RH	2540-66-128-5142							1	1	
28	DBP5841PMA	HANDLE-DOOR-INNER-LH	2540-66-128-5143							1	1	
29	SE105101L	SCREW	5305-99-135-0428							4	4	
30	WA105001L	WASHER-PLAIN	5310-66-098-4439							4	4	
31	STC617	KIT-GASKET-HANDLE								1	1	
32	MXC2728	HANDLE-DOOR-RH	2540-66-128-5136							1	1	
32	MXC2729	HANDLE-DOOR-LH	2540-66-128-5137							1	1	
33	MUC8364	LINK								2	2	
	MTC6504	LOCK SET (3 BARRELS)	2540-99-756-5899							1	1	

CHANGE POINT

ARN INTRODUCTION

GROUP SC



**REAR SIDE DOOR AND FIXTURES
- STATION WAGONS ONLY**

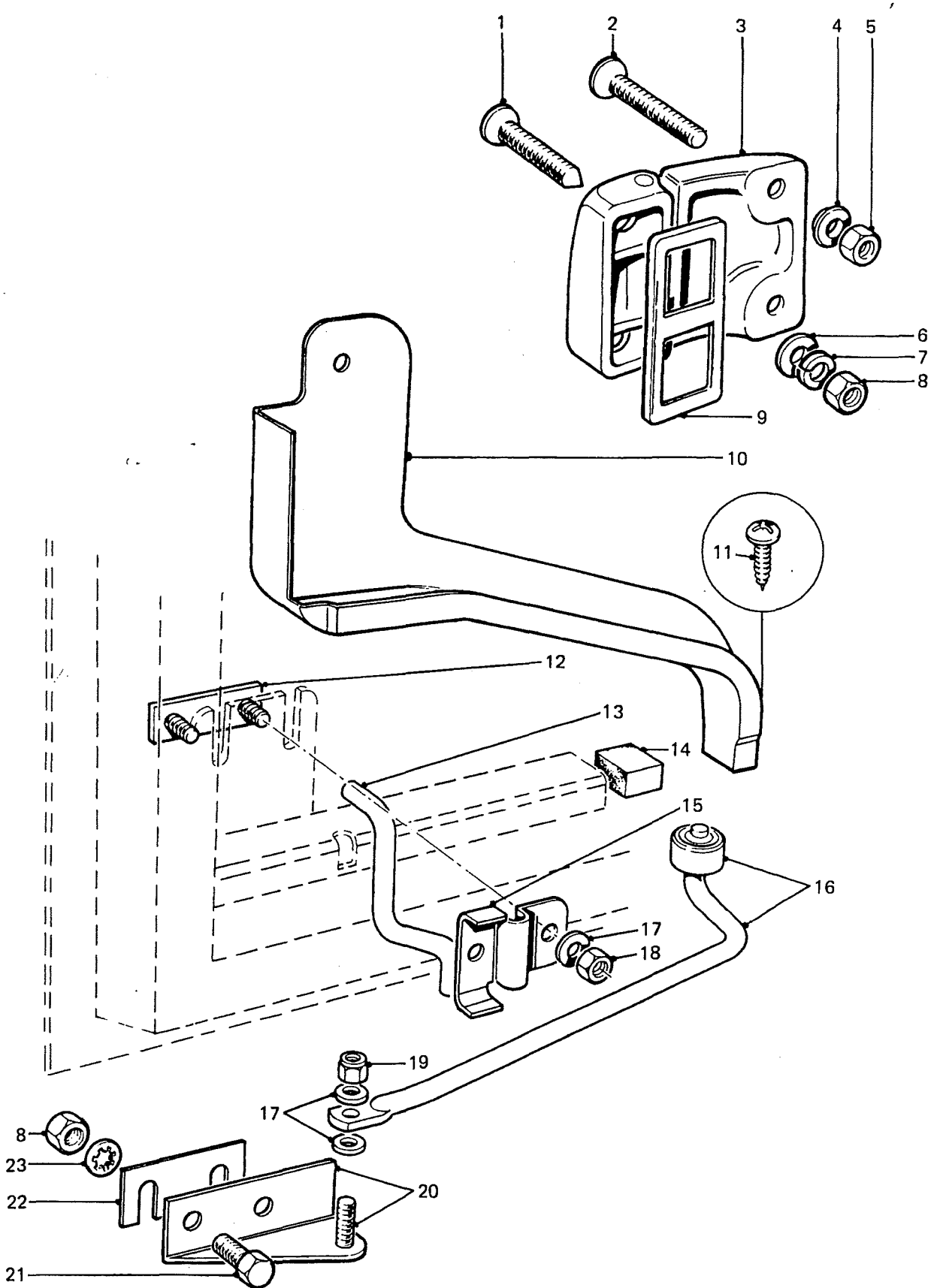
PERENTIE LAND ROVER PARTS LIST

<u>ITEM</u>	<u>PART NO.</u>	<u>DESCRIPTION</u>	<u>NSN</u>	<u>DERIVATIVE CODE</u>								
				<u>2188</u>	<u>2189</u>	<u>2190</u>	<u>2191</u>	<u>2192</u>	<u>2194</u>	<u>2195</u>	<u>2207</u>	<u>CP</u>
1	MUC1604	WAISTSEAL-RH	5330-66-128-5256							1	1	
1	MUC1605	WAISTSEAL-LH	5330-66-128-5255							1	1	
2	MXC5194	DOOR-REAR-RH	2510-66-128-5138							1	1	
2	RTC6269	DOOR-REAR-LH	2510-66-128-5141							1	1	
3	R201235	FILLER-CORNER	2510-99-778-3583							4	4	
4	MTC8788	FILLER-TOP-RH	2510-66-128-5235							1	1	
4	MTC8789	FILLER-TOP-LH	2510-66-128-5236							1	1	
5	MUC1651	FILLER-VERTICAL	2510-99-777-0326							4	4	
6	MWC4412	WATER DEFLECTOR-RH								1	1	
6	MWC4413	WATER DEFLECTOR-LH								1	1	
7	AB606031L	SCREW	5305-99-901-9736							4	4	
8	FS106161	SCREW	5305-99-122-5360							10	10	
9	WA106041L	WASHER-PLAIN	5310-66-098-4440							10	10	
10	RTC6238	PANEL-INNER-RH								1	1	
10	RTC6239	PANEL-INNER-LH								1	1	
11	R392107	PAD-SOUND								2	2	
12	MWC1900	SEAL-WAIST	5330-66-128-5254							2	2	
	HYG2912	PLATE-WATER SHEDDER-RH								1	1	
	HYG2911	PLATE-WATER SHEDDER-LH								1	1	
	R78248	POP RIVET-PLATE TO DOOR	5320-99-970-3518							2	2	
	MWC3294	CURTAIN-WATER								2	2	

CHANGE POINT

ARN INTRODUCTION

GROUP SCA



REAR SIDE DOOR HINGE AND CHECK LINK - STATION WAGONS ONLY

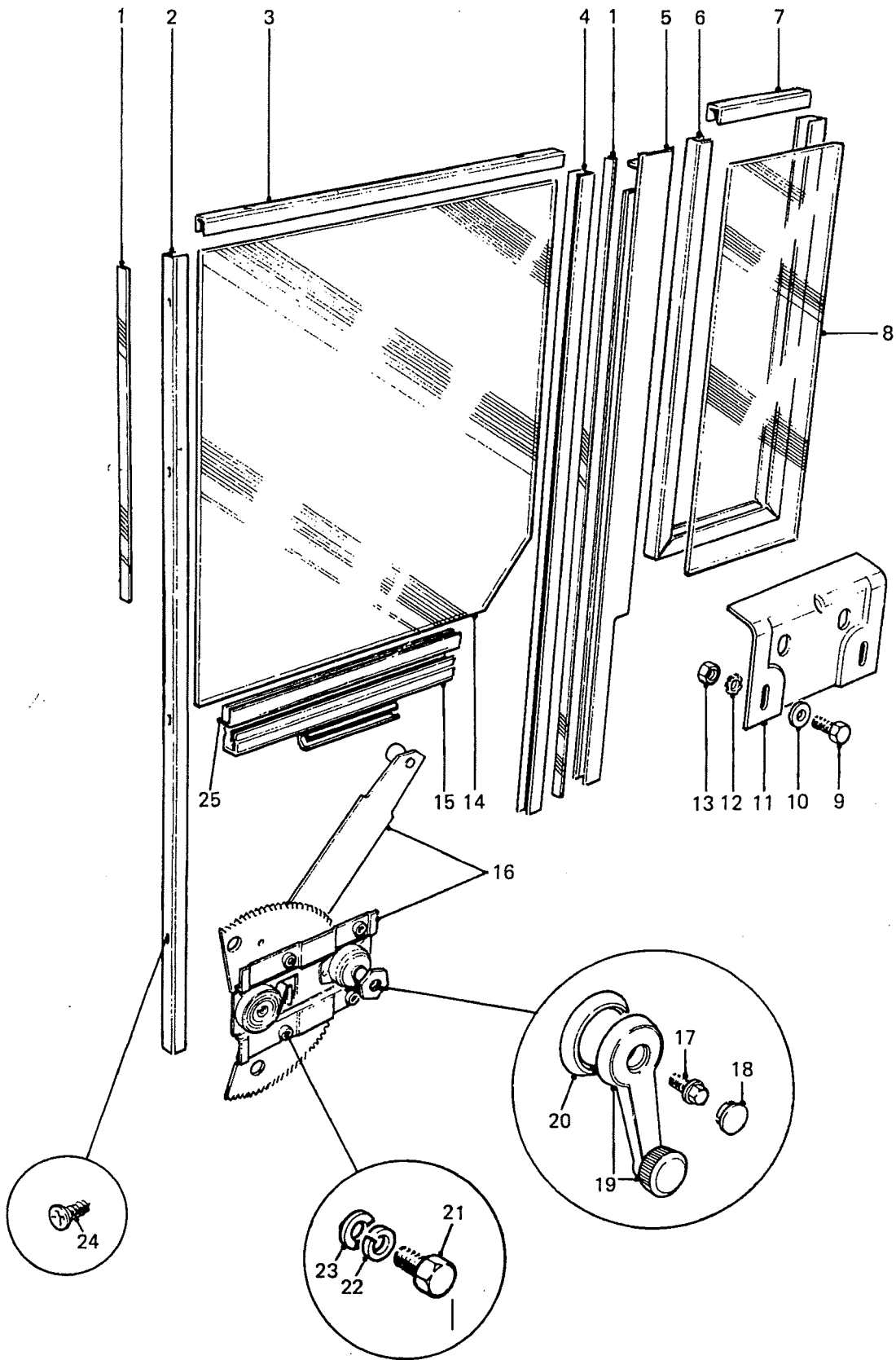
PERENTIE LAND ROVER PARTS LIST

ITEM	PART NO.	DESCRIPTION	NSN	DERIVATIVE CODE							CP
				2188	2189	2190	2191	2192	2194	2195	
1	AFU1035	SCREW-UPPER	5305-99-734-5814						4	4	
1	MXC1436	SCREW-LOWER							4	4	
2	MWC1899	SCREW-HINGE	5305-66-128-5090						8	8	
3	MXC8282	HINGE-LOWER-RH	2510-99-824-8458						2	2	
3	MXC8283	HINGE-LOWER-LH	2510-99-824-8459						2	2	
4	MRC1980	WASHER-NYLON	2510-99-829-7487						8	8	
5	NH605041L	NUT	5310-99-136-1515						8	8	
6	WC108051L	WASHER-PLAIN							8	8	
7	WL108001L	WASHER-LOCK	5310-99-137-9231						8	8	
8	FN108041	NUT	5310-99-499-8033						12	12	
9	R347369	WASHER	5330-99-824-8467						4	4	
10	MWC1638	PANEL-WATERDAM-RH							1	1	
10	MWC1639	PANEL-WATERDAM-LH							1	1	
11	MUC3394	DRIVE SCREW	5305-66-128-5246						2	2	
12	MUC1961	BOLT PLATE							2	2	
13	MUC6158	BAR-TORSION-RH							1	1	
13	MUC6159	BAR-TORSION-LH							1	1	
14	MWC6291	BUFFER-RUBBER	5340-66-128-5178						2	2	
15	MWC6450	BRACKET-PIVOT							2	2	
16	MWC5742	LINK-CHECKSTRAP-RH	2540-66-128-5144						1	1	
16	MWC5741	LINK-CHECKSTRAP-LH	2540-66-128-5145						1	1	
17	WA106041L	WASHER-PLAIN	5310-66-098-4440						4	4	
18	NH106041L	NUT	5310-66-098-4401						4	4	
19	NY106041L	NUT-NYLOC	5310-99-138-8423						2	2	
20	MRC4753	BRACKET-CHECKLINK-RH							1	1	
20	MRC4754	BRACKET-CHECKLINK-LH							1	1	
21	FS108251	SCREW	5305-99-122-5367						4	4	
22	R305232	SHIM							4	4	
23	WF108001	WASHER-LOCK	5310-99-136-2555						4	4	

CHANGE POINT

ARN INTRODUCTION

GROUP SCB



**REAR SIDE DOOR WINDOW GLASS AND
WIND - UP MECHANISM
- STATION WAGONS ONLY**

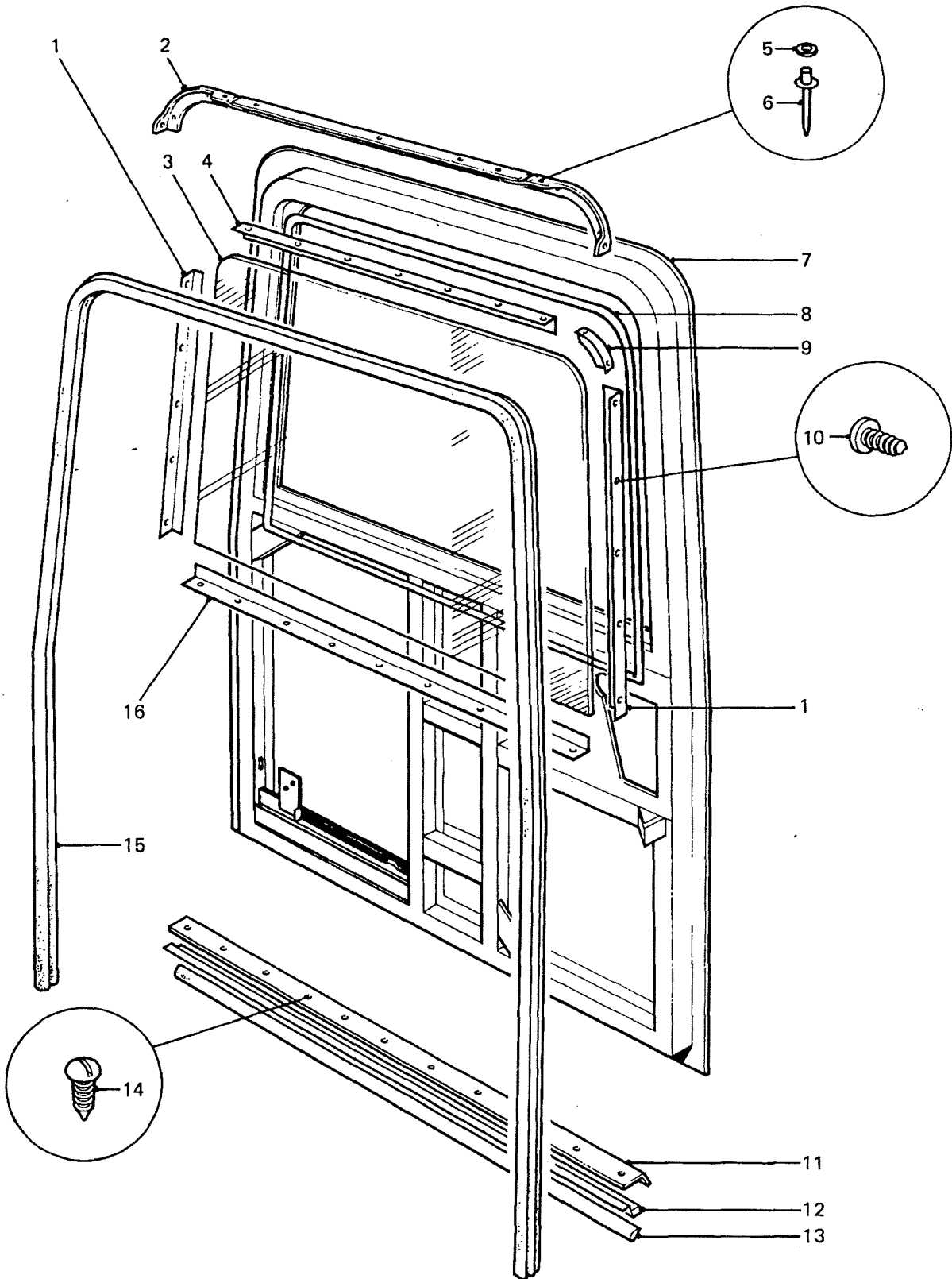
PERENTIE LAND ROVER PARTS LIST

ITEM	PART NO.	DESCRIPTION	NSN	DERIVATIVE CODE								
				2188	2189	2190	2191	2192	2194	2195	2207	CP
1	MUC4073	SHIM-ADJUSTMENT	5365-66-128-5215							6	6	
2	MUC4072	CHANNEL	2540-66-128-5131							2	2	
3	MTC8471	CHANNEL-TOP	2590-99-777-5304							2	2	
4	MTC8472	CHANNEL-TOP	2590-99-777-5303							2	2	
5	MUC3492	CHANNEL-RH								1	1	
5	MUC3493	CHANNEL-LH								1	1	
6	MTC8791	CHANNEL-LOWER	2590-99-777-5302							2	2	
7	MTC8790	CHANNEL-TOP	2590-99-777-5285							2	2	
8	MTC8460	GLASS-REAR QUARTER	2510-99-777-5286							2	2	
9	SH104101	SCREW	5305-99-138-4827							4	4	
10	WA104001L	WASHER-PLAIN	5310-99-122-3031							4	4	
11	MWC1627	BRACKET-REAR								2	2	
12	WE104001	WASHER-LOCK	5310-66-128-5172							4	4	
13	NH104041L	NUT	5310-66-128-4720							4	4	
14	MTC7828	GLASS-DOOR-REAR SIDE	2510-99-777-5314							2	2	
15	MTC8478	CHANNEL-WINDOW								2	2	
16	MUC3026	REGULATOR-RH	2540-66-128-5146							1	1	
16	MUC3027	REGULATOR-LH	2540-66-128-5147							1	1	
17	ADU5727L	SCREW	5305-99-769-4643							2	2	
18	RTC3940PA	COVER-HANDLE	2540-99-769-4641							2	2	
19	RTC3939PA	HANDLE-REGULATOR	2540-99-769-4640							2	2	
20	JPC9023PMA	ESCUTCHEON								2	2	
21	SH106101L	SCREW	5305-99-122-8665							8	8	
22	WL106001L	WASHER-LOCK	5310-99-137-9232							8	8	
23	WA106041L	WASHER-PLAIN	5310-66-098-4440							8	8	
24	AC606031L	SCREW	5305-66-128-5091							4	4	
24	AC606041L	SCREW	5305-99-135-7506							12	12	
25	MUC1714	GLAZING RUBBER	2590-99-777-5297							2	2	

CHANGE POINT

ARN INTRODUCTION

GROUP SD



REAR-END DOOR AND SEALS

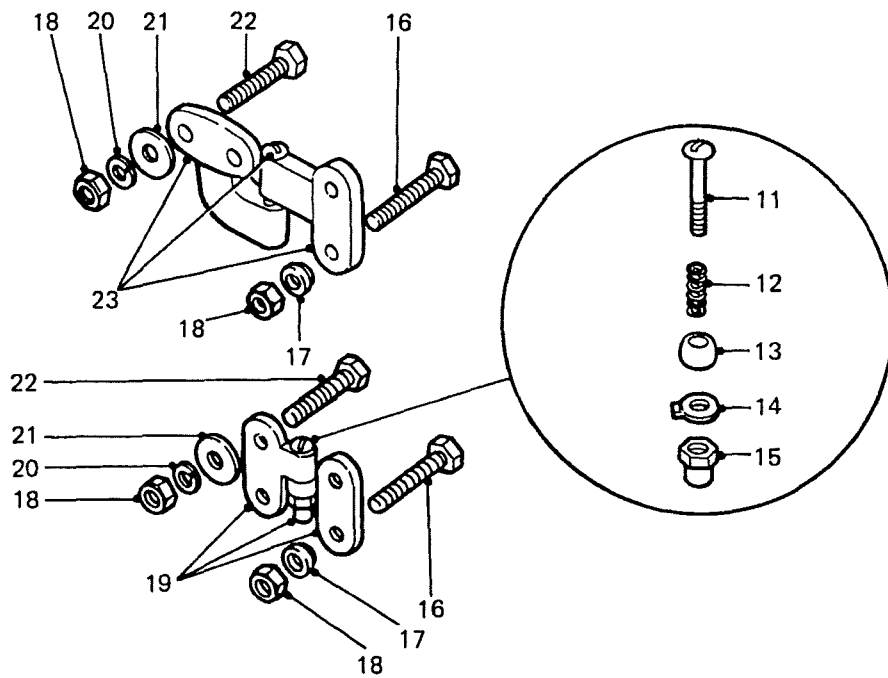
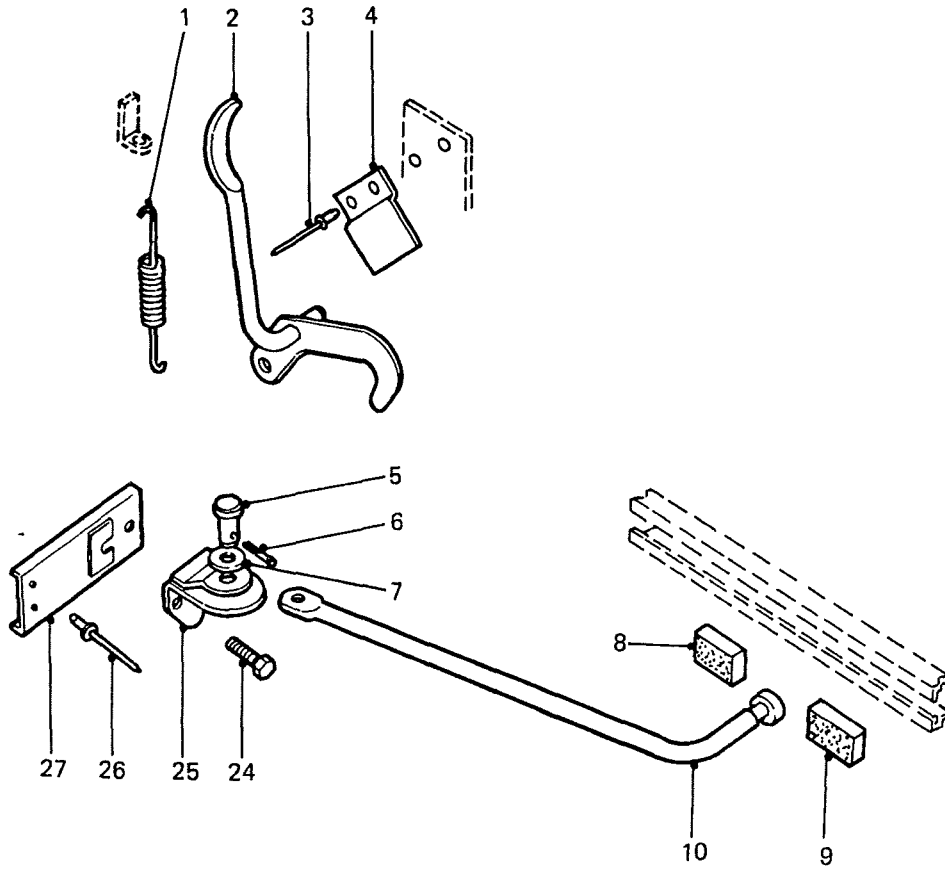
PERENTIE LAND ROVER PARTS LIST

ITEM	SD /1/1 PART NO.	REAR-END DOOR AND SEALS DESCRIPTION	NSN	DERIVATIVE CODE									
				2188	2189	2190	2191	2192	2194	2195	2207	CP	
1	R333033	RETAINER						2	2	2			
2	MTC4290	RETAINER SEAL						1	1	1			
3	HYG3417	GLASS-DOOR-REAR	2510-99-850-1848					1					
3	MTC3469	GLASS-DOOR-REAR	2510-99-850-1848						1	1			
4	R333034	RETAINER-RR END						1	1	1			
5	AFU1256	WASHER-PLAIN	5310-66-128-5173					9	9	9			
6	RU612373L	POP RIVET	5320-99-120-9002					9	9	9			
7	HYG3197	DOOR-REAR END	2510-66-128-5148					1	1	1			
8	R78159	GLAZING STRIP	9320-99-440-7619					1	1	1			
9	R333035	RETAINER-CORNERS						2	2	2			
10	AB606031L	SCREW	5305-99-901-9736					30	30	30			
11	R333203	STRIP REAR DOOR						1	1	1			
12	R332756	RETAINER						1	1	1			
13	R332564	RUBBER	2510-99-850-1860					1	1	1			
14	AB606041L	SCREW	5305-99-950-4416					13	13	13			
15	MTC4111	SEAL-REAR END DOOR	2510-99-797-6086					1	1	1			
16	R333032	RETAINER						1	1	1			
	MTC4460	NAMEPLATE-REAR DOOR	2540-66-128-5033					1	1	1			

CHANGE POINT

ARN INTRODUCTION

GROUP SDA



REAR-END DOOR HINGES AND CHECK-LINK

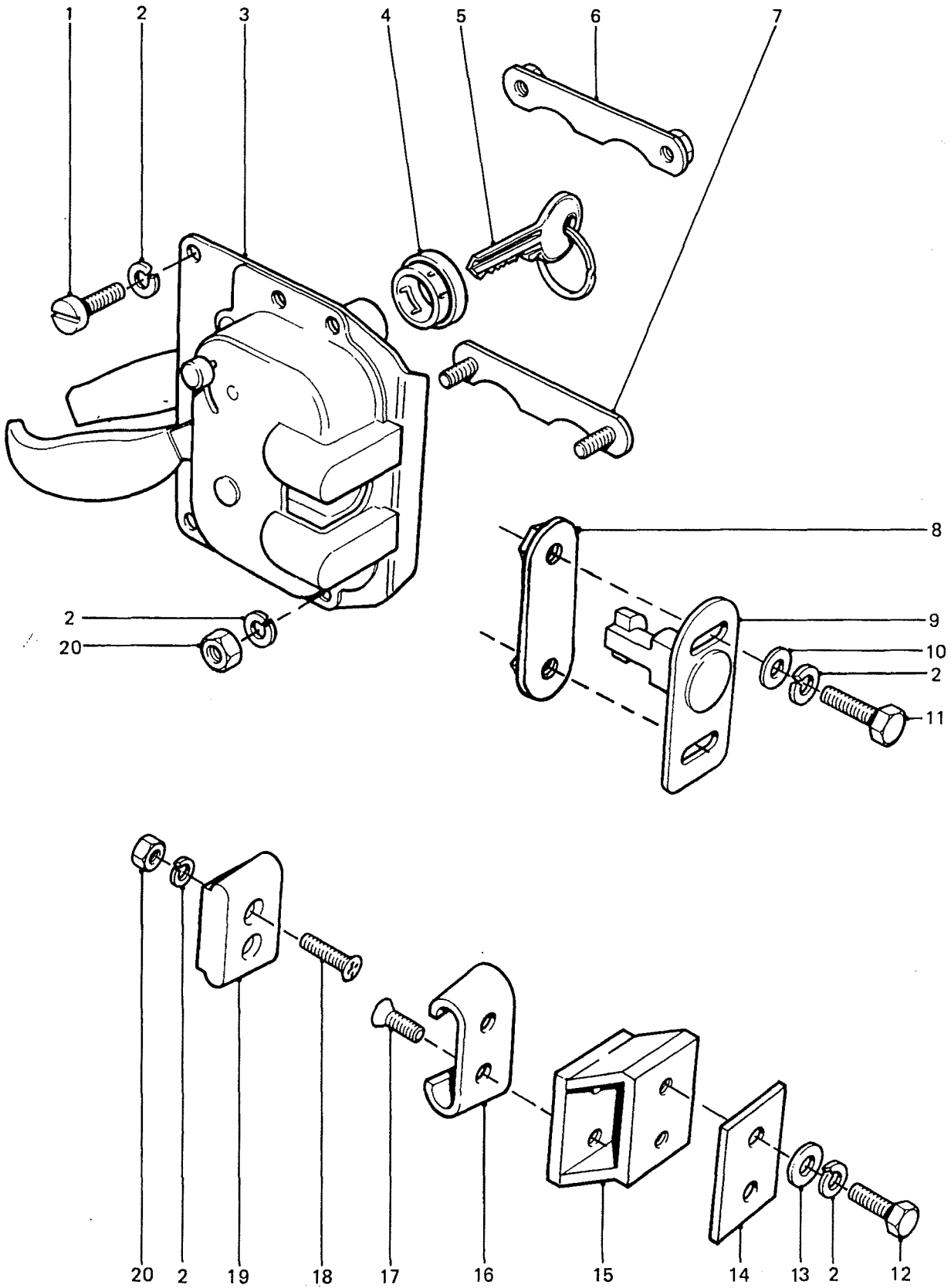
PERENTIE LAND ROVER PARTS LIST

<u>ITEM</u>	<u>SDA/1/1</u> <u>PART NO.</u>	<u>REAR-END DOOR HINGES AND CHECK-LINK</u> <u>DESCRIPTION</u>	<u>NSN</u>	<u>DERIVATIVE CODE</u>								
				<u>2188</u>	<u>2189</u>	<u>2190</u>	<u>2191</u>	<u>2192</u>	<u>2194</u>	<u>2195</u>	<u>2207</u>	<u>CP</u>
1	MUC4481	SPRING	5360-99-774-7144					1	1	1		
2	MUC4474	LEVER ASSY-RELEASE						1	1	1		
3	RA608177L	POP RIVET	5320-99-450-4958					2	2	2		
4	MUC4486	RETAINER	5340-66-128-5184					1	1	1		
5	R306564	PIN-CLEVIS	5315-99-849-8614					1	1	1		
6	PS606051	SPLIT PIN	5315-99-944-0176					1	1	1		
7	WA108051L	WASHER-PLAIN	5310-99-122-6475					1	1	1		
8	MUC4544	BUFFER-SHORT	5340-66-128-5179					1	1	1		
9	MUC4545	BUFFER-LONG	5340-66-128-5180					1	1	1		
10	MUC4471	LINK ASSY	2540-66-128-5149					1	1	1		
11	NSS											
12	NSS											
13	NSS											
14	NSS											
15	R257450	NUT-CAPPED						3	3	3		
16	SH108501	SCREW	5305-99-136-3260					6	6	6		
17	MRC1980	WASHER-NYLON	2510-99-829-7487					6	6	6		
18	FN108041	NUT	5310-99-499-8033					10	10	10		
19	R346341	DOOR HINGE	2540-99-812-5089					2	2	2		
20	WL108001L	WASHER-LOCK	5310-99-137-9231					6	6	6		
21	WC108051L	WASHER-PLAIN						6	6	6		
22	FS108251	SCREW	5305-99-122-5367					6	6	6		
23	R333036	HINGE-UPPER	2510-99-850-1856					1	1	1		
24	FS106201	SCREW	5305-99-122-5361					2	2	2		
25	R346878	CHECK STRAP						1	1	1		
26	R78248	POP RIVET	5320-99-970-3518					2	2	2		
27	HYG3462	BRACKET-MTG						1	1	1		

CHANGE POINT

ARN INTRODUCTION

GROUP SDB



REAR-END DOOR LOCK

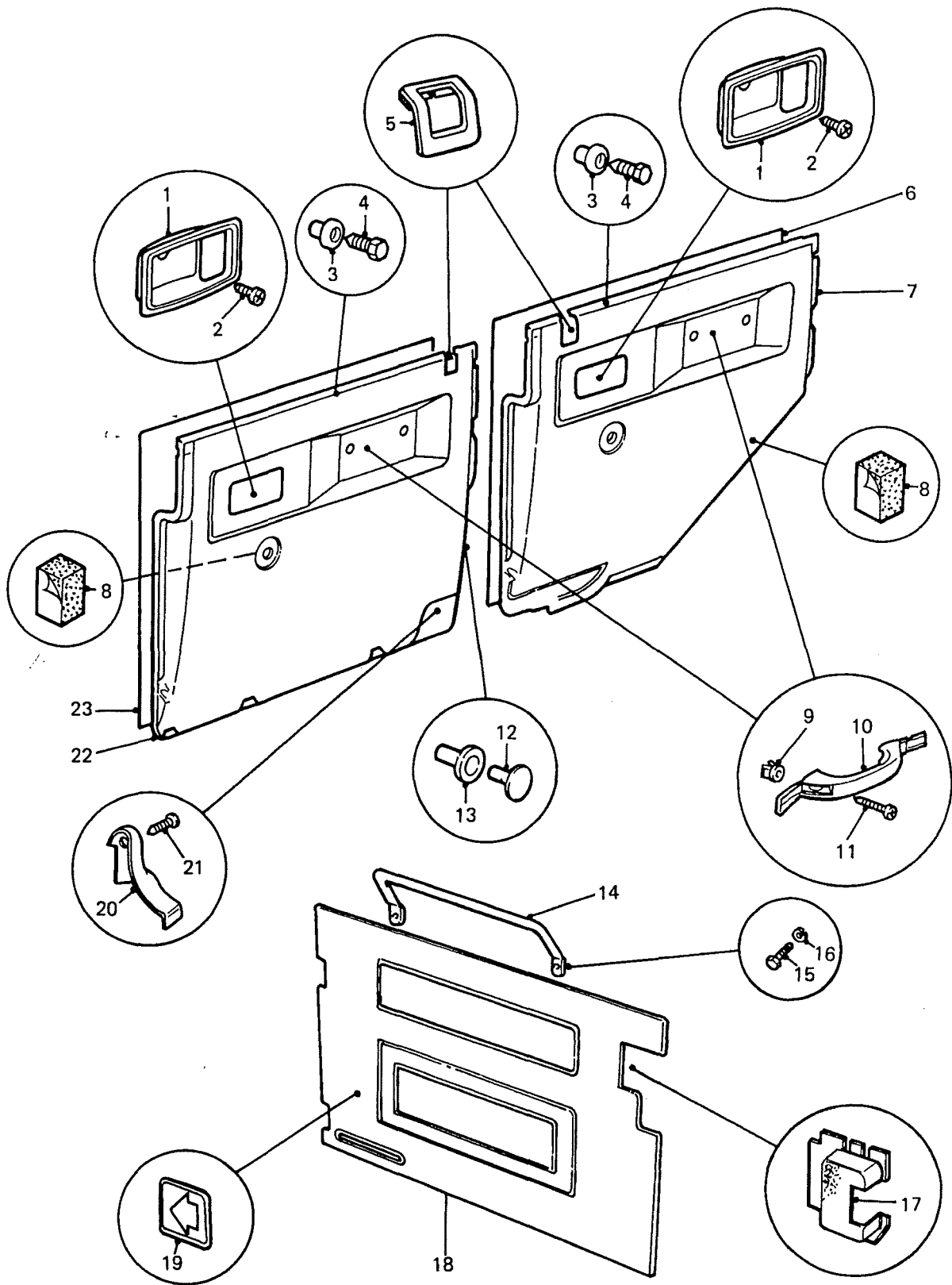
PERENTIE LAND ROVER PARTS LIST

<u>ITEM</u>	<u>PART NO.</u>	<u>DESCRIPTION</u>	<u>NSN</u>	<u>DERIVATIVE CODE</u>								
				<u>2188</u>	<u>2189</u>	<u>2190</u>	<u>2191</u>	<u>2192</u>	<u>2194</u>	<u>2195</u>	<u>2207</u>	<u>CP</u>
1	SE106161L	SCREW	5305-99-135-0440					2	2	2		
2	WL106001L	WASHER-LOCK	5310-99-137-9232					10	10	10		
3	R395037	DOOR LOCK	2540-99-825-4656					1	1	1		
4	R347151	SEAL	2540-99-825-4661					1	1	1		
5	CZK3882	KEY-BLANK						2	2	2		
6	MRC9417	RETAINER-LOCK	2540-99-778-0181					1	1	1		
7	MRC9416	RETAINER-LOCK	2540-99-797-4638					1	1	1		
8	MRC9431	NUT PLATE	5310-66-128-5189					1	1	1		
9	R395294	PLATE STRIKER	2540-99-825-4658					1	1	1		
10	AFU1259	WASHER-PLAIN	5310-99-738-3661					2	2	2		
11	SH106301L	SCREW	5305-99-122-5363					2	2	2		
12	FS106201	SCREW	5305-99-122-5361					2	2	2		
13	AFU1080	WASHER-PLAIN	5310-99-740-0784					2	2	2		
14	R395078	SHIM						1	1	1		
15	MRC9619	SPACER						1	1	1		
16	R332147	FEMALE DOVE TAIL						1	1	1		
17	SF106161L	SCREW	5305-99-122-5290					2	2	2		
18	SA106251	SCREW	5305-99-122-5292					2	2	2		
19	R332942	MALE DOVE TAIL	5340-99-807-2840					1	1	1		
20	NH106041L	NUT	5310-66-098-4401					4	4	4		
	MTC6504	LOCK SET (3 BARRELS)	2540-99-756-5899					1	1	1		
	R305232	SHIM-SPACER TO PILLAR						2	2	2		
	MTC6858	SEALING GASKET-RR END DOOR LOCK	5330-99-742-2423					1	1	1		

CHANGE POINT

ARN INTRODUCTION

GROUP SE

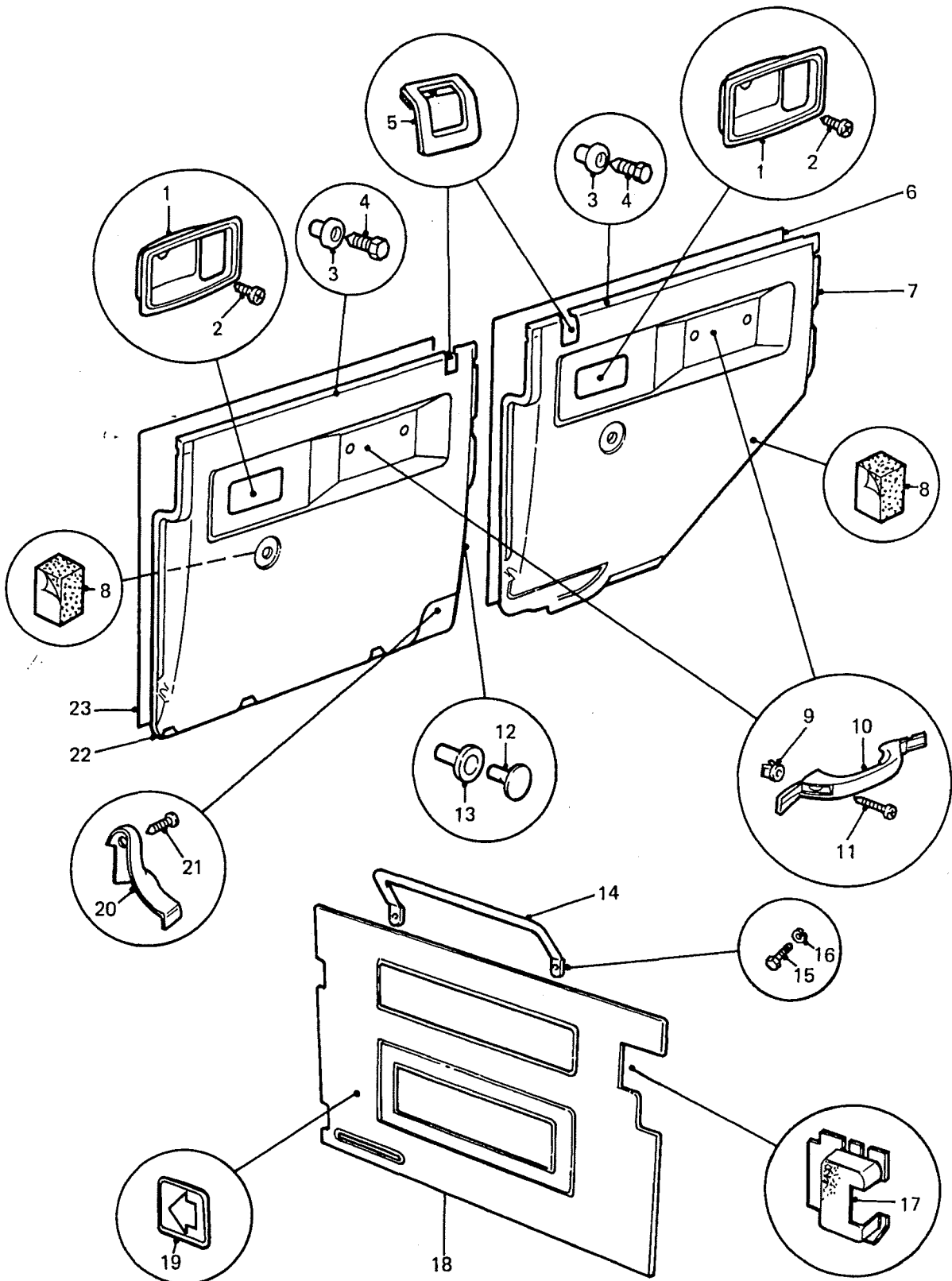


**DOOR TRIM AND INTERIOR FITTINGS
– STATION WAGONS ONLY**

PERENTIE LAND ROVER PARTS LIST

ITEM	SE /1/1 PART NO.	DESCRIPTION	NSN	DERIVATIVE CODE							CP
				2188	2189	2190	2191	2192	2194	2195	
1	DBP6533PA	ESCUTCHEON-LH							2	2	
1	DBP6532PA	ESCUTCHEON-RH							2	2	
2	DA608044L	SCREW	5305-66-128-5094						4	4	
3	MWC3136	SNAPSAC-DOOR TRIM	5310-66-128-5270						48		
4	MWC1474	FASTENER-DOOR TRIM	5307-66-128-5187						48	48	
4	MXC1800	FASTENER-DOOR TRIM							48	48	
5	MXC4738PMA	ESCUTCHEON-SILL LOCK							4	4	
6	MWC3294	CURTAIN-WATER-REAR							2	2	
7	MWC6248LCS	TRIM-DOOR-REAR-RH							1	1	
7	MXC1858LCS	TRIM-DOOR-REAR-RH							1	1	
7	MWC6249LCS	TRIM-DOOR-REAR-LH							1	1	
7	MXC1859LCS	TRIM-DOOR-REAR-LH							1	1	
8	MWC3137	SPACER-FOAM	5330-66-128-5264						8	8	
9	RTC3478	LOKUT-NUT	2510-66-110-8984						8	8	
10	YGA451L	DOOR PULL	5340-66-128-4654						4	4	
11	AB610081L	SCREW-DOOR PULL	5305-99-977-3264						8	8	
12	MWC9918LCS	FASTENER-TRIM	5307-66-128-5375						4	4	
13	MWC9917	SNAPSAC-DOOR TRIM	5340-66-128-5367						4	4	
14	MTC6456	GRAB HANDLE							1	1	
15	SH106204	SCREW	5305-66-128-5095						2	2	
16	WL106001L	WASHER-LOCK	5310-99-137-9232						2	2	
17	MTC1710LCS	COVER-LOCK							1	1	
	AB606041L	SCREW-LOCK TO DOOR	5305-99-950-4416						4	4	
18	MWC1743LCS	TRIM-DOOR-REAR END							1	1	
	AFU2636	SCREW-REAR END DOOR TRIM							4	4	
19	MUC4525	LABEL-ARROW-REAR END DOOR	7690-66-128-5207						1	1	
20	MUC3036	COVER-CHECK STRAP-RH FRONT							1	1	

GROUP SE



**DOOR TRIM AND INTERIOR FITTINGS
– STATION WAGONS ONLY**

PERENTIE LAND ROVER PARTS LIST

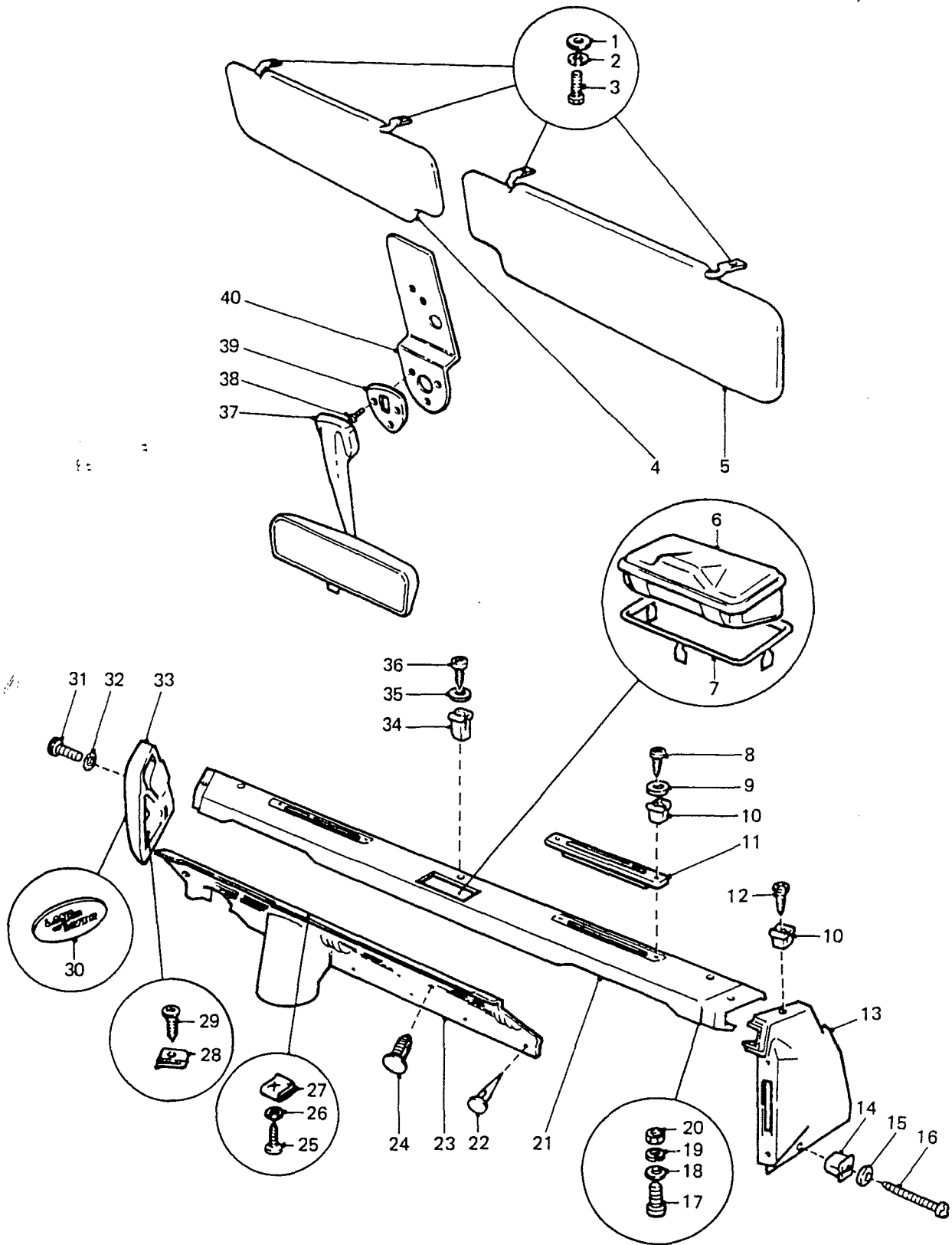
<u>ITEM</u>	<u>PART NO.</u>	<u>DESCRIPTION</u>	<u>NSN</u>	<u>DERIVATIVE CODE</u>							
				<u>2188</u>	<u>2189</u>	<u>2190</u>	<u>2191</u>	<u>2192</u>	<u>2194</u>	<u>2195</u>	<u>2207</u>
20	MUC3037	COVER-CHECK STRAP-LH FRONT								1	1
21	AB608064L	SCREW	5305-66-128-4575							2	2
22	MWC6248LCS	TRIM-DOOR-FRONT-RH								1	1
22	MXC1858LCS	TRIM-DOOR-FRONT-RH								1	1
22	MWC6249LCS	TRIM-DOOR-FRONT-LH								1	1
22	MXC1859LCS	TRIM-DOOR-FRONT-LH								1	1
23	MXC9479	CURTAIN-WATER-FRONT								2	2

CHANGE POINT

ARN INTRODUCTION

- | | |
|---|----------------------|
| 1 | EARLY TYPE DOOR TRIM |
| 2 | LATER TYPE DOOR TRIM |

GROUP SGA

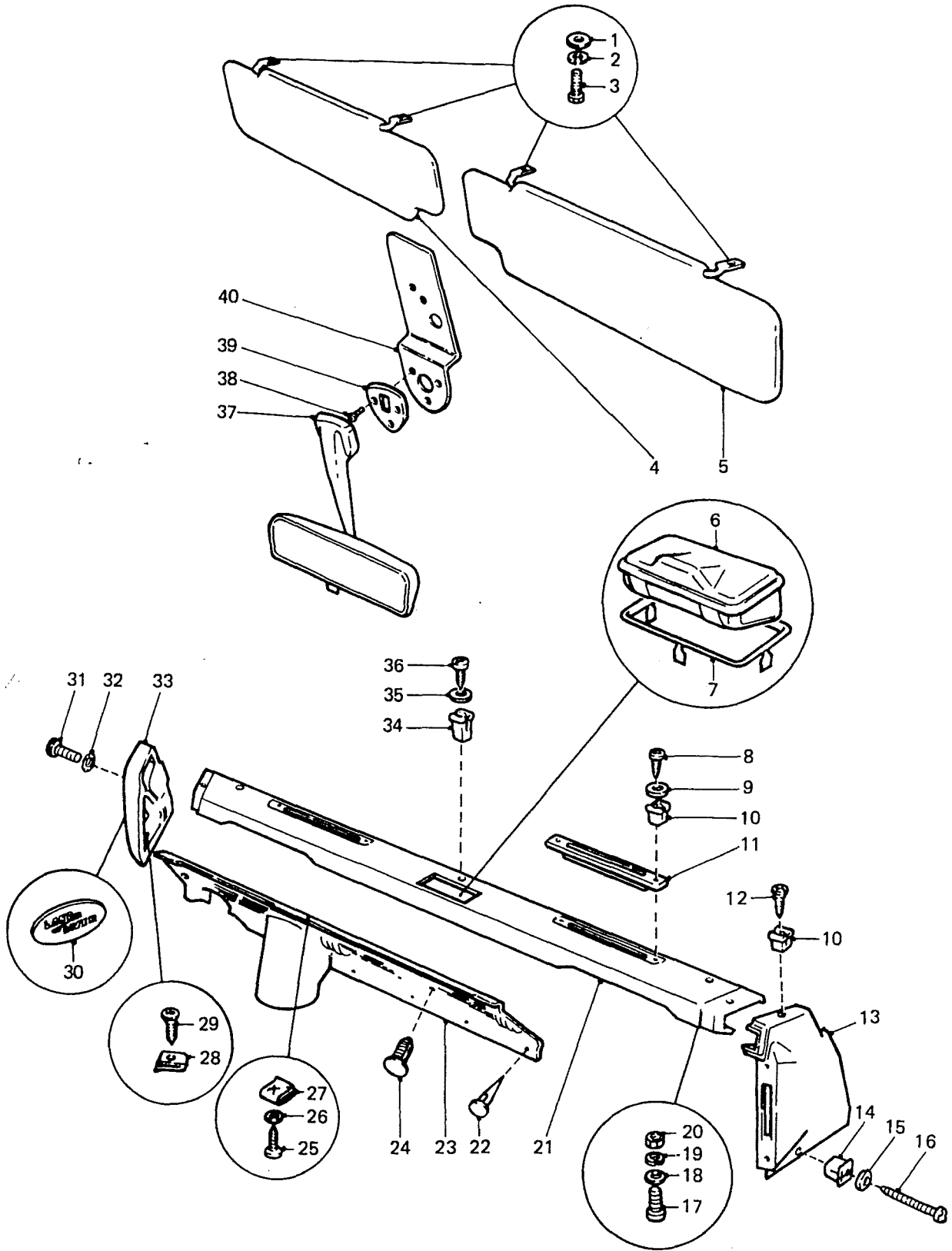


SUN VISORS, INTERIOR MIRROR AND UPPER DASHBOARD TRIM

PERENTIE LAND ROVER PARTS LIST

ITEM	PART NO.	DESCRIPTION	NSN	DERIVATIVE CODE								CP	
				2188	2189	2190	2191	2192	2194	2195	2207		
1	WA106041L	WASHER-PLAIN	5310-66-098-4440	4	4	4	4	4	4	4	4	4	
2	WL106001L	WASHER-LOCK	5310-99-137-9232	4	4	4	4	4	4	4	4	4	
3	SE106201L	SCREW	5305-99-796-7536	4	4	4	4	4	4	4	4	4	
4	MXC1395LUH	SUN VISOR-LH	2540-66-128-5046	1	1	1	1	1	1	1	1	1	
5	MXC1394LUH	SUN VISOR-RH	2540-66-128-5047	1	1	1	1	1	1	1	1	1	
6	DZA5097L	ASH TRAY	9920-66-128-4905	1	1	1	1	1	1	1	1	1	
7	MUC1582	RETAINER	2540-66-128-4717	1	1	1	1	1	1	1	1	1	
8	AB606064L	SCREW		4	4	4	4	4	4	4	4	4	
9	WA105001L	WASHER-PLAIN	5310-99-122-3032	4	4	4	4	4	4	4	4	4	
10	RTC3745	LOKUT NUT	5310-99-137-6356	4	4	4	4	4	4	4	4	4	
11	MTC6040	OUTLET-DEMISTER		2	2	2	2	2	2	2	2	2	
11	BTR912	OUTLET-DEMISTER		2	2	2	2						2 01
12	AD606044L	SCREW	5305-66-128-4607	1	1	1	1	1	1	1	1	1	
13	MWC9338PMA	END TRIM		1	1	1	1	1	1	1	1	1	
14	RTC3748	LOKUT NUT		1	1	1	1	1	1	1	1	1	
15	AFU1248	WASHER-PLAIN-PLASTIC	5310-66-128-4907	1	1	1	1	1	1	1	1	1	
16	AB610124L	SCREW		1	1	1	1	1	1	1	1	1	
17	SE104124	SCREW		2	2	2	2	2	2	2	2	2	
18	WA104004L	WASHER-PLAIN		2	2	2	2	2	2	2	2	2	
19	WL104004	WASHER-LOCK	5310-99-977-1102	2	2	2	2	2	2	2	2	2	
20	NH104044	NUT		2	2	2	2	2	2	2	2	2	
21	MWC9327PMA	CRASH PAD-UPPER		1	1	1	1	1	1	1	1	1	
21	MXC6084PMA	CRASH PAD-UPPER		1	1	1	1						1 01
22	RTC3750	DRIVE FASTENER		2	2	2	2	2	2	2	2	2	
23	MTC4617	TRIM PANEL		1	1	1	1	1	1	1	1	1	
24	AFU1897	DRIVE FASTENER		2	2	2	2	2	2	2	2	2	
25	AB606044	SCREW	5305-66-128-4609	2	2	2	2	2	2	2	2	2	
26	WA104004L	WASHER-PLAIN		2	2	2	2	2	2	2	2	2	

GROUP SGA



SUN VISORS, INTERIOR MIRROR AND UPPER DASHBOARD TRIM

PERENTIE LAND ROVER PARTS LIST

ITEM	PART NO.	DESCRIPTION	NSN	DERIVATIVE CODE								CP
				2188	2189	2190	2191	2192	2194	2195	2207	
27	AK606031	NUT-SPRING		2	2	2	2	2	2	2	2	2
28	AK606031	NUT-SPRING		1	1	1	1	1	1	1	1	1
29	AC606104	SCREW		1	1	1	1	1	1	1	1	1
30	MTC5851	BADGE	2540-66-128-5024	1	1	1	1	1	1	1	1	1
31	SE105121L	SCREW	5305-99-135-0429	1	1	1	1	1	1	1	1	1
32	WF105001L	WASHER-LOCK		1	1	1	1	1	1	1	1	1
33	MTC6143	GRAB HANDLE		1	1	1	1	1	1	1	1	1
34	CZK3164	NUT	5310-99-776-9666	3	3	3	3	3	3	3	3	3
35	WC106044	WASHER-PLAIN		3	3	3	3	3	3	3	3	3
36	AB614064	SCREW		3	3	3	3	3	3	3	3	3
37	MTC6376	MIRROR-INTERIOR	2540-99-721-4447	1	1	1	1	1	1	1	1	1
38	SF104164	SCREW	5305-99-122-5279	3	3	3	3	3	3	3	3	3
39	R372336	BASE PLATE		1	1	1	1	1	1	1	1	1
40	HYG2401	BRACKET-LAMP		1	1	1	1	1	1	1	1	1
	AB608047	SCREW-FRONT PLATE TO DASH		6	6	6	6	6	6	6	6	6
	WA105001L	WASHER-FRONT PLATE TO DASH		6	6	6	6	6	6	6	6	6
	HYG4280	BRACKET-WINDSCREEN		1	1	1	1	1	1	1	1	1
	HYG5910	COVER-DASH-FABRIC	2590-66-128-6402									1
	MWC1624	PANEL-TRIM "D" POST-RH								1	1	
	MWC1625	PANEL-TRIM "D" POST-LH								1	1	
	MUC6075	SPACER TUBE-UPPER FIXING								2	2	
	WA112081L	WASHER-PLAIN	5310-99-122-6477							2	2	
	MUC6075	BRACKET-LOWER FIXING								2	2	
	AFU1900	FASTENER								2	2	
	HYG3389	RETAINER-TRIM								2	2	
	AB606041L	SCREW -RETAINER TO ROOF	5305-99-950-4416							4	4	

CHANGE POINT

ARN INTRODUCTION

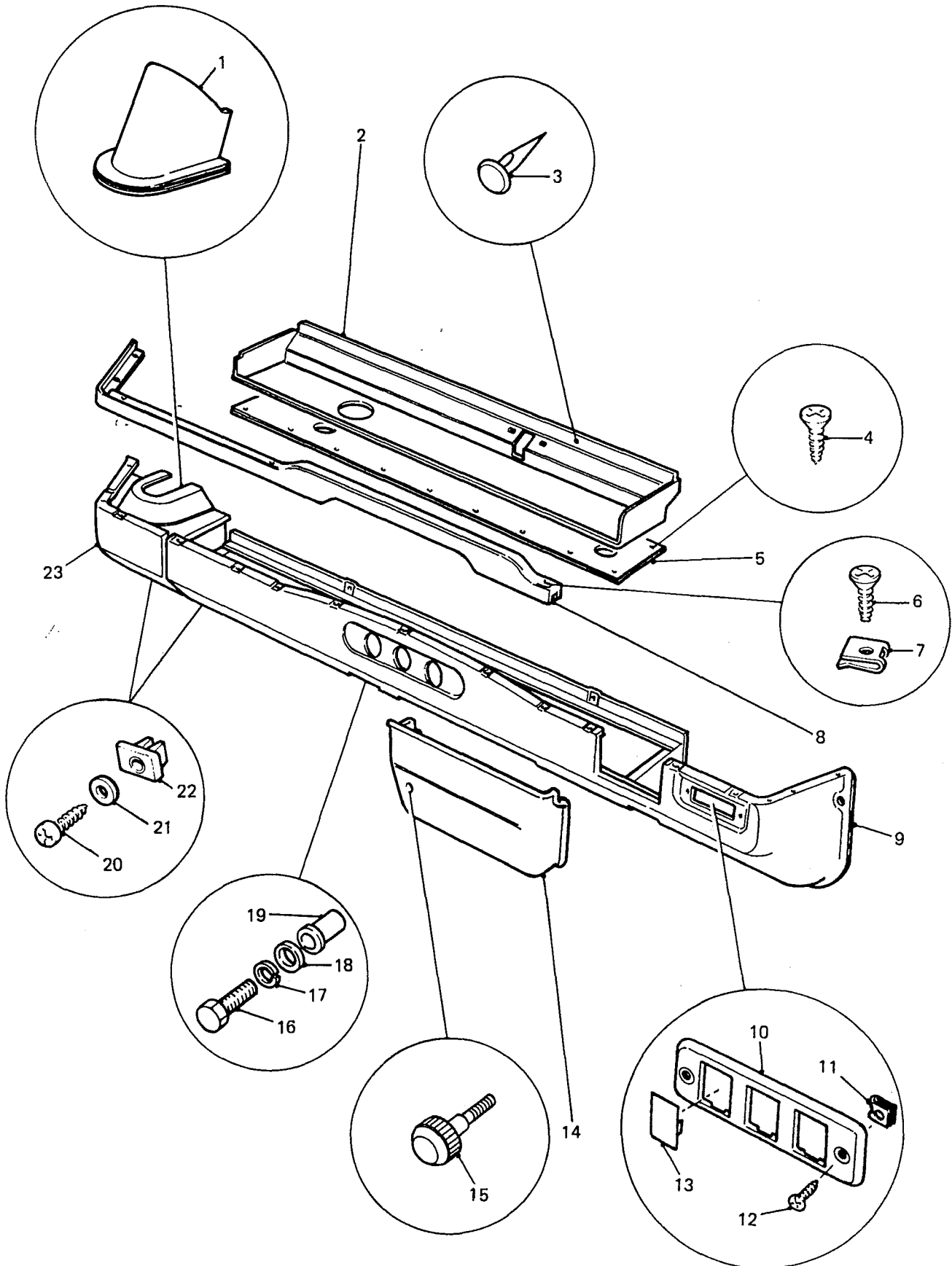
1

51-581 R.F.S.V.

1

50-380 SOFT TOP CARGO

GROUP SGB



LOWER DASHBOARD TRIM

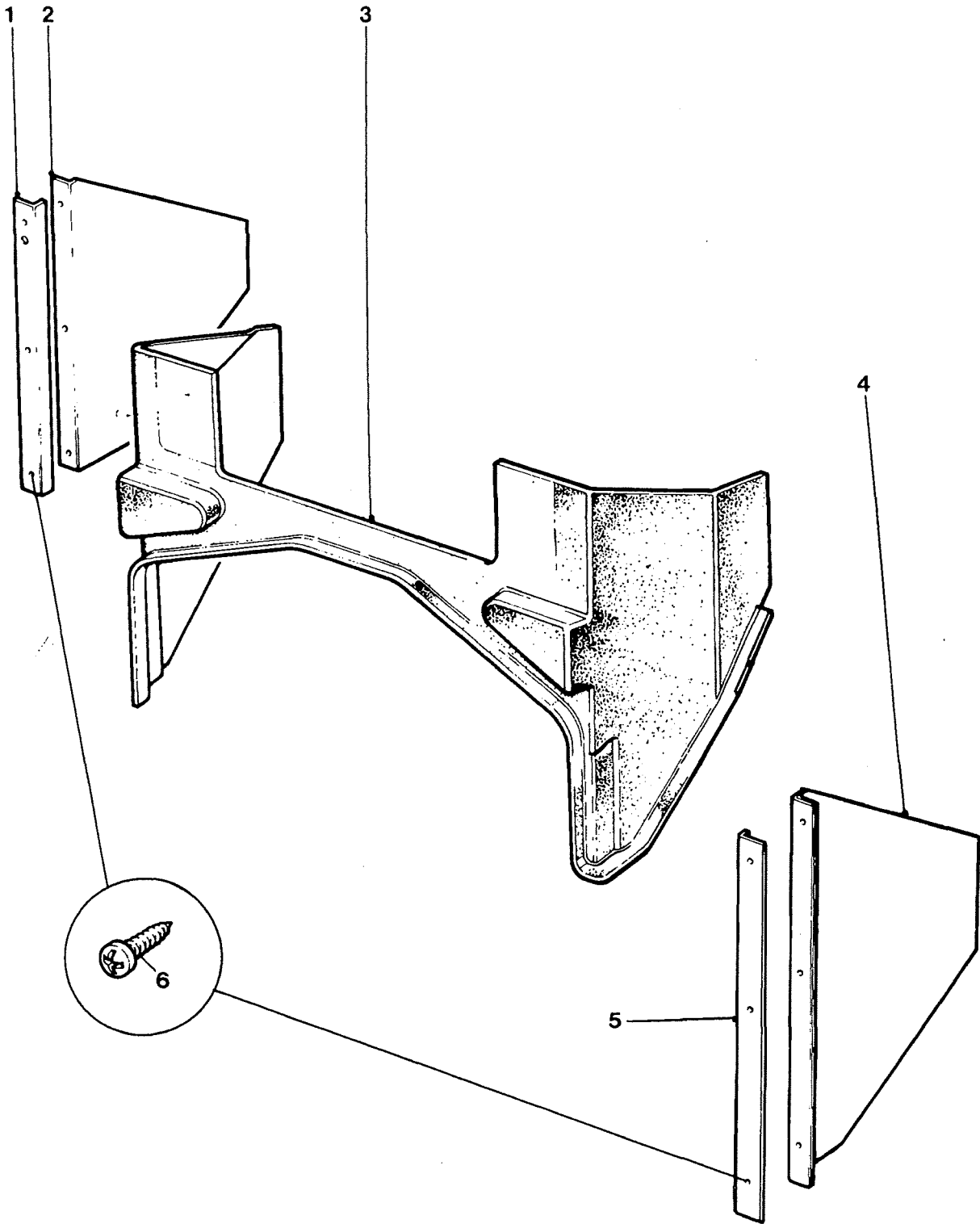
PERENTIE LAND ROVER PARTS LIST

ITEM	PART NO.	DESCRIPTION	NSN	DERIVATIVE CODE								
				2188	2189	2190	2191	2192	2194	2195	2207	CP
1	MTC3705	COVER		1	1	1	1	1	1	1	1	1
2	HYG2597	PARCEL TRAY		1	1			1	1			
2	HYG3387	PARCEL TRAY				1	1					
2	HYG3944	PARCEL TRAY										1
3	RTC3750	DRIVE FASTENER		5	5	5	5	5	5	5	5	5
4	AB606041L	SCREW	5305-99-950-4416	22	22	22	22	22	22	22	22	22
5	MRC8584	CLOSING PANEL		1	1	1	1	1	1	1	1	1
6	AC606064	SCREW		3	3	3	3	3	3	3	3	3
7	AK606031	NUT-SPRING		3	3	3	3	3	3	3	3	3
8	MTC6166	FINISHER		1	1	1	1	1	1	1	1	1
9	HYG1753	HEATER DUCT		1	1	1	1	1	1	1	1	1
10	MTC2640	SWITCH PANEL		1	1	1	1	1	1	1	1	1
11	AK606011L	NUT-SPRING	5310-66-128-4954	2	2	2	2	2	2	2	2	2
12	AD606041L	SCREW	5305-99-134-2065	2	2	2	2	2	2	2	2	2
13	AAM222	PLUG		1	1	1	1	1	1	1	1	1
14	BTR2307	COVER-FUSEBOX	2540-66-128-4728	1	1	1	1	1	1	1	1	1
15	MTC9968	SCREW	5305-66-128-4957	2	2	2	2	2	2	2	2	2
16	SH105201L	SCREW	5305-66-128-4906	2	2	2	2	2	2	2	2	2
17	WL105001L	WASHER-LOCK	5310-99-977-1102	2	2	2	2	2	2	2	2	2
18	WC105001L	WASHER-PLAIN	5310-99-122-3032	2	2	2	2	2	2	2	2	2
19	NN105021L	NUTSERT	5310-99-629-3331	2	2	2	2	2	2	2	2	2
20	AB608054L	SCREW	5305-66-128-4655	10	10	10	10	10	10	10	10	10
21	AFU1248	WASHER-PLAIN-PLASTIC	5310-66-128-4907	10	10	10	10	10	10	10	10	10
22	AFU2692	NUT-HEATER DUCT	5310-66-128-4908	10	10	10	10	10	10	10	10	10
23	MTC3523	COVER-WIPER MOTOR		1	1	1	1	1	1	1	1	1
	MUC4801	BEZEL-SEALING-HEATER DUCT		1	1	1	1	1	1	1	1	1
	MTC6871	SEAL-DUCT HEATER		1	1	1	1	1	1	1	1	1

CHANGE POINT

ARN INTRODUCTION

GROUP SGC



DASHBOARD AND TOE BOX TRIM

PERENTIE LAND ROVER PARTS LIST

ITEM	PART NO.	DESCRIPTION	NSN	DERIVATIVE CODE								CP	
				2188	2189	2190	2191	2192	2194	2195	2207		
1	BTR979	RETAINER-LH	2540-66-128-6109	1	1	1	1	1	1	1	1	1	
1	BTR2371	RETAINER-LH		1	1	1	1						01
2	BTR981	TRIM-DASH-LH	2540-66-128-4729	1	1	1	1	1	1	1	1	1	
3	MUC1248	INSULATOR	2540-66-128-5026	1	1	1	1	1	1	1	1		
3	BTR360	INSULATOR	2540-66-128-5026	1	1	1	1					1	02
4	BTR980	TRIM-DASH-RH	2540-66-128-4730	1	1	1	1	1	1	1	1	1	
5	BTR978	RETAINER-RH	2540-66-128-6110	1	1	1	1	1	1	1	1	1	
5	BTR2372	RETAINER-RH		1	1	1	1						01
6	AB606041L	SCREW	5305-99-950-4416	6	6	6	6	6	6	6	6	6	
	MYH3319	BUTTON PLUG-RETAINER		2	2	2	2						2

CHANGE POINT

ARN INTRODUCTION

1

200-147 SOFT TOP CARGO
51-564 SOFT TOP FFR

2

50-041 SOFT TOP CARGO WITH WINCH

GROUP SGD /1 SHEET 1

TRUCK UTILITY LIGHTWEIGHT MC2

FFR WINCH MC2

LIABILITY C/N 73010

MANUFACTURER JRA LIMITED

MODEL No. LAND ROVER 110 4x4

CAPO No. V112987

DELIVERED

MANUFACTURERS' V.I.N.

JACKING PROCEDURE HYG 1764

DUE TO THE FITMENT OF A TRANSMISSION HANDBRAKE TO THIS VEHICLE, THE JACKING PROCEDURE MUST BE FOLLOWED BEFORE JACKING ANY WHEEL CLEAR OF THE GROUND.

1. APPLY HANDBRAKE.
2. ENGAGE DIFFERENTIAL LOCK (WARNING LIGHT WILL ILLUMINATE).
3. SELECT 1ST GEAR — LOW RANGE.
4. CHOCK BOTH SIDES OF WHEEL FURTHEST FROM WHEEL BEING RAISED.
5. SLACKEN WHEEL NUTS (5).
6. FRONT WHEELS: POSITION JACK UNDER AXLE CASING IMMEDIATELY BELOW ROAD SPRING BETWEEN END FLANGE AND SUSPENSION BRACKET. REAR WHEELS: POSITION JACK UNDER AXLE CASING IMMEDIATELY BELOW ROAD SPRING NEAR DAMPER.
7. REPLACE WHEEL AND TIGHTEN NUTS.
8. LOWER VEHICLE.
9. TORQUE NUTS: 100–115 Nm (75–85 lb.ft).
10. DISENGAGE DIFFERENTIAL LOCK BEFORE MOVING OFF.

Angel REFINISH THIS VEHICLE WITH ANZOL PAINTS POLYURETHANE (02) 736 3000.

450-2022 OLIVE DRAB

SERVICING DATA HYG 3002

COLD TYRE PRESSURES (kPa)	HIGHWAY		CROSS-COUNTRY	SAND
	FRONT	REAR	200	150
	250	350	275	225

LUBRICATION — NORMAL OR TROPICAL TEMPERATURES

ENGINE	OMD-115	MASTER CYL.	OX (AUST) 8
GEARBOX	OMD-115	MANUAL STG. BOX	OEP-220
TRANSFER BOX	CASTROL FMX	POWER STG. BOX	OX46 or OX 47
POWER TAKE-OFF	CASTROL FMX	LUBE NIPPLES	XG-274
AXLES	OEP-220	WINCH	OEP-220
SWIVEL PIN H'SING	OEP-220		

ELECTRICAL — 12 VOLT NEGATIVE TO EARTH SYSTEM

FUSES

AUX	10A	8A	DR
STOP	10A	8A	DL
STOP	12A	8A	DR
STOP	10A	8A	DL
REV STOP	10A	2.5A	FRONT
REV STOP	8A	5A	REAR

BLACKOUT LIGHTING

IN-ON ROAD OUT — CROSS COUNTRY

TRANSFER BOX CONTROL

DIMMER OFF MAX

THIS VEHICLE WAS MANUFACTURED BY JRA LIMITED TO COMPLY WITH AUSTRALIAN DESIGN RULE NO

1	2	3	4C	5B	6	7	8	11	12
15	28A	30	35A						

LANDROVER MILITARY 4 CYL DIE

SALL DH AZ IBF

GVM 3200 KG SEATING CAP

THIS PLATE IS AFFIXED WITH THE APPROVAL OF THE AUSTRALIAN MOTOR VEHICLE CERTIFICATION BOARD

Cyclopac Air Cleaner

Service Instructions (See Owner's Manual for detailed instructions)

1. Service element only when restriction reaches allowable limit.
2. Wipe inside of air cleaner with damp cloth.
3. Inspect gaskets, system, and tighten clamps.
4. Check replacement element for any damage.

DO NOT OVERSERVICE ELEMENT

Donaldson	FH808-0429	P90-0433	P90-0434
Customer	Air Cleaner	Main Element	Safety Element

Mfd by Donaldson Australia Pty Limited Wagon NSW

NET MASS

CIG

IDENTIFICATION AND INSTRUCTION LABELS

PERENTIE LAND ROVER PARTS LIST

<u>ITEM</u>	<u>PART NO.</u>	<u>DESCRIPTION</u>	<u>NSN</u>	<u>DERIVATIVE CODE</u>										
				<u>2188</u>	<u>2189</u>	<u>2190</u>	<u>2191</u>	<u>2192</u>	<u>2194</u>	<u>2195</u>	<u>2207</u>	<u>CP</u>		
1	HYG2602	PLATE-NOMENCLATURE		1										
1	HYG2671	PLATE-NOMENCLATURE			1									
1	HYG5968	PLATE-NOMENCLATURE			1									01
1	HYG2672	PLATE-NOMENCLATURE					1							
1	HYG2673	PLATE-NOMENCLATURE						1						
1	HYG2674	PLATE-NOMENCLATURE							1					
1	HYG2762	PLATE-NOMENCLATURE								1				
1	HYG2763	PLATE-NOMENCLATURE										1		
2	HYG1764	LABEL-JACKING	9905-66-128-4965	2	2	2	2	2	2	2	2	2	2	
3	HYG2712	LABEL-PAINT		1	1	1	1	1	1	1	1	1	1	
4	HYG3002	PLATE-SERVICE DATA		1	1	1	1	1	1	1	1	1	1	
5	PRC5536	LABEL-FUSES	9905-66-128-4966	1	1	1	1	1	1	1	1	1	1	
6	HYG2050	PLATE-CENTRE DASH SWITCHES	9905-66-128-4964	1	1	1	1	1	1	1	1	1	1	
7	NSS													
8	MYH3362	PLATE-COMPLIANCE		1	1	1	1	1	1	1	1	1	1	
9	HYG493	PLATE-C.O.G.		1	1	1	1	1	1	1	1	1	1	
	RA608176L	POP RIVET-PLATES	5320-99-941-7268	14	14	14	14	14	14	14	14	14	14	

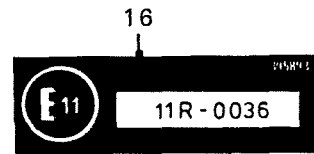
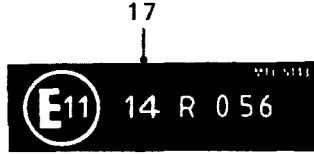
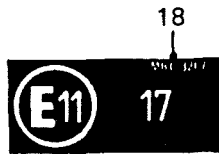
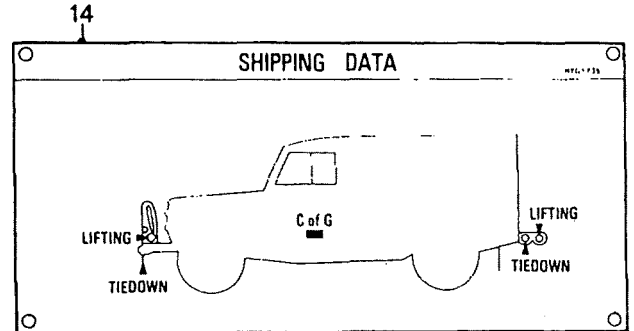
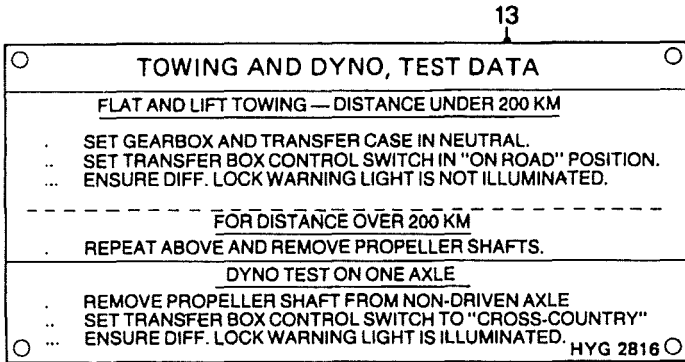
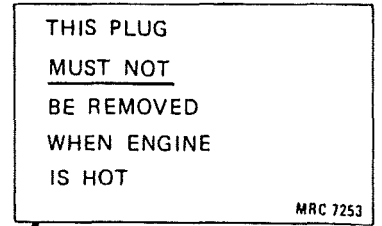
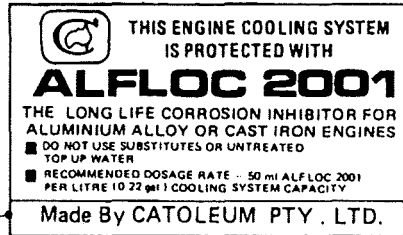
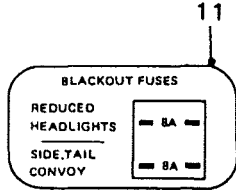
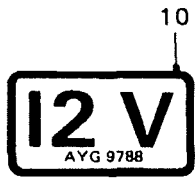
CHANGE POINT

1

ARN INTRODUCTION

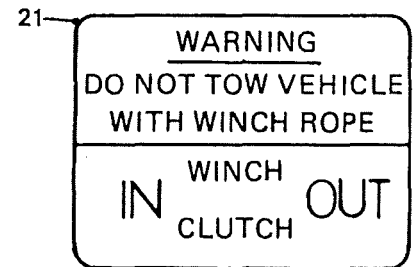
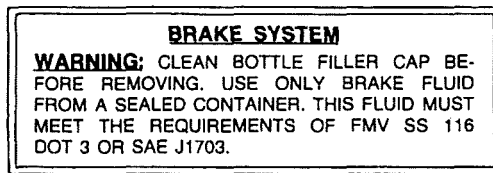
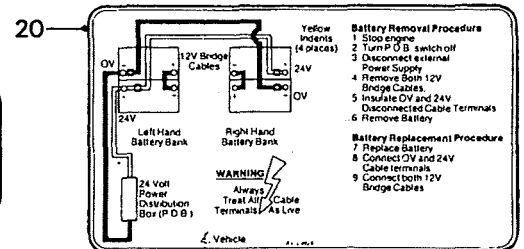
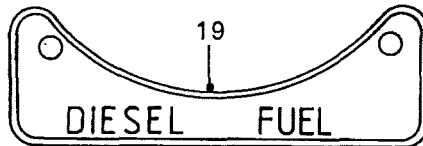
51-487 SOFT TOP FFR

GROUP SGD/1 SHEET 2



MOD. RECORD ASSY. CAT. No.

1	6	11	16	21
2	7	12	17	22
3	8	13	18	23
4	9	14	19	24
5	10	15	20	25



WINCH OPERATING INSTRUCTIONS AYG3514

- SWITCH ENGINE OFF.
- SET WINCH DOG CLUTCH LEVER VERTICAL (DOG CLUTCH DISENGAGED) AND REEL OUT CABLE.
- ATTACH CABLE TO SELECTED ANCHOR POINT.
- PUSH DOG CLUTCH LEVER OUTBOARD, TURNING WINCH DRUM BY HAND TO ENSURE DOG CLUTCH HAS ENGAGED.
- SET TRANSFER CASE CONTROL LEVER IN ITS NEUTRAL POSITION.
- START ENGINE, DEPRESS CLUTCH PEDAL AND SELECT A LOW FORWARD GEAR.
- PULL OUT WINCH PTO CONTROL IN SEATBASE TO ENGAGE WINCH DRIVE.
- SLOWLY RELEASE CLUTCH PEDAL TO WIND IN WINCH CABLE.
- DEPRESS CLUTCH PEDAL TO STOP WINCH. (WORM GEARING WILL ENSURE THAT CABLE LOAD IS HELD.)
- SELECT NEUTRAL GEAR IN GEARBOX AND PUSH IN PTO CONTROL TO DISENGAGE WINCH.
- DRIVE VEHICLE FORWARD TO SLACKEN CABLE.
- DISENGAGE WINCH DOG CLUTCH BY SETTING DOG CLUTCH LEVER VERTICALLY.

DO NOT TRAVEL WITH WINCH ENGAGED
DO NOT HAVE LESS THAN FOUR WRAPS OF CABLE ON THE DRUM.

SEE USER HANDBOOK FOR MORE DETAILED INSTRUCTIONS.

IDENTIFICATION AND INSTRUCTION LABELS

PERENTIE LAND ROVER PARTS LIST

ITEM	PART NO.	DESCRIPTION	NSN	DERIVATIVE CODE							CP
				2188	2189	2190	2191	2192	2194	2195	
10	AYG9788	LABEL - NATO SOCKET COVER	9905-66-128-4967	1	1	1	1	1	1	1	
11	AYG9855	LABEL - FUSES BLACKOUT	9905-66-128-4968	1	1	1	1	1	1	1	
12	MYH3266	LABEL - INHIBITOR	9905-66-128-4969	1	1	1	1	1	1	1	
13	HYG2816	LABEL - TOWING		1	1	1	1	1	1	1	
14	HYG1735	PLATE - SHIPPING DATA		1	1	1	1	1	1	1	
15	MRC7253	LABEL - WARNING RADIATOR		1	1	1	1	1	1	1	
16	NSS										
17	NSS										
18	NSS										
19	R502951	LABEL - FUEL	9905-66-128-4521	1	1	1	1	1	1	1	
20	AYG9924	DECAL - BATTERY WIRING	9905-66-128-5278			2	2	2			
	AYG9926	DECAL - BATTERY WIRING								1	
21	HYL8784	LABEL - WIRING	7690-66-128-5274	1	1	1	1	1	1	1	
22	HYJ0122	LABEL -BRAKE FLUID	9905-66-128-5280	1	1	1	1	1	1	1	
23	AYG3516	PLATE - INSTRUCTION WINCH	9905-66-128-5273		1		1	1	1		
24	NSS		9905-66-016-3535								
	RA608176L	POP RIVET - PLATES		12	12	12	12	12	12	12	

CHANGE POINT

ARN INTRODUCTION

GROUP SGD/1 SHEET 3

CAUTION

TO PREVENT DAMAGE TO
HIGH/LOW RANGE GEARS:

- 1) ONLY CHANGE RANGE WHEN VEHICLE IS STATIONARY
- 2) SELECT REQUIRED RANGE AND MAINTAIN EFFORT ON LEVER UNTIL VEHICLE IS IN MOTION

25

WARNING

DO NOT DRILL OR WELD
ANY PART OF ROLL OVER
PROTECTION STRUCTURE

26

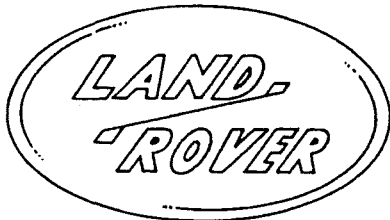
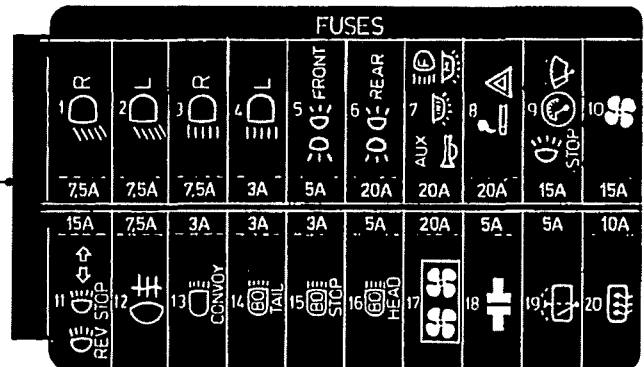
IN LINE FUSES
(LOCATED UNDER CENTRE DASH COVER)

INSTRUMENT
DIMMER SWITCH
INSPECTION
LIGHT SOCKET

— 5A —
— 15A —

27

28



29

IDENTIFICATION AND INSTRUCTION LABELS

PERENTIE LAND ROVER PARTS LIST

<u>ITEM</u>	<u>PART NO.</u>	<u>DESCRIPTION</u>	<u>NSN</u>	<u>DERIVATIVE CODE</u>								<u>CP</u>
				<u>2188</u>	<u>2189</u>	<u>2190</u>	<u>2191</u>	<u>2192</u>	<u>2194</u>	<u>2195</u>	<u>2207</u>	
25	HYG4063	LABEL - WARNING	9905-66-128-5888	1	1	1	1	1	1	1		
26	HYG5684	DECAL - WARNING ROLLOVER PROTECTION	7690-66-128-6114	1	1	1	1	1	1	1		
27	BYG9116	LABEL - INLINE FUSES		1	1	1	1					
28	PRC8252	LABEL - FUSES BLADE TYPE	9905-66-128-5961	1	1	1	1					02
	PRC5536	LABEL - FUSES		1	1	1	1			1	1	
	PRC7293	LABEL - FUSES		1	1	1	1	1				03
29	MXC6401	DECAL - REAR	2540-66-128-6103	1	1	1	1					
	MTC4460	LOGO SIGN		1	1	1		1	1	1		
	AYG8171	DECAL - TYRE		1	1	1	1	1	1	1	1	
	RA608176L	POP RIVET - LOGO SIGN		2	2	2	2	2	2	2	2	

CHANGE POINT

ARN INTRODUCTION

- | | |
|---|---------------------------------|
| 2 | 50-041 SOFT TOP CARGO AND WINCH |
| 3 | 49-673 SOFT TOP - FFR |

GROUP SGD/2 SHEET 1

TRUCK SURVEILLANCE LIGHTWEIGHT

WINCH MC2

LIABILITY C/N 73260/01

MANUFACTURER JRA LIMITED

MODEL No. LAND ROVER 110 4x4

CAPO No. N143883

DELIVERED

MANUFACTURERS' V.I.N.

JACKING PROCEDURE HYG 1764

DUE TO THE FITMENT OF A TRANSMISSION HANDBRAKE TO THIS VEHICLE, THE JACKING PROCEDURE MUST BE FOLLOWED BEFORE JACKING ANY WHEEL CLEAR OF THE GROUND.

1. APPLY HANDBRAKE.
2. ENGAGE DIFFERENTIAL LOCK (WARNING LIGHT WILL ILLUMINATE).
3. SELECT 1ST GEAR — LOW RANGE.
4. CHECK BOTH SIDES OF WHEEL FURTHEST FROM WHEEL BEING RAISED.
5. SLACKEN WHEEL NUTS (5).
6. FRONT WHEELS: POSITION JACK UNDER AXLE CASING IMMEDIATELY BELOW ROAD SPRING BETWEEN END FLANGE AND SUSPENSION BRACKET. REAR WHEELS: POSITION JACK UNDER AXLE CASING IMMEDIATELY BELOW ROAD SPRING NEAR DAMPER.
7. REPLACE WHEEL AND TIGHTEN NUTS.
8. LOWER VEHICLE.
9. TORQUE NUTS: 100–115 Nm (75–85 lb.ft).
10. DISENGAGE DIFFERENTIAL LOCK BEFORE MOVING OFF.

Anzol

REFINISH THIS VEHICLE WITH ANZOL PAINTS POLYURETHANE (02) 736 3000

450-2022
OLIVE DRAB

MOD. RECORD ASSY. CAT. No.

1	6	11	16	21
2	7	12	17	22
3	8	13	18	23
4	9	14	19	24
5	10	15	20	25

SERVICING DATA HYG 3002

COLD TYRE PRESSURES (kPa)	HIGHWAY		CROSS-COUNTRY	SAND
	FRONT	REAR		
	250	375	200	150
			275	225

LUBRICATION — NORMAL OR TROPICAL TEMPERATURES

ENGINE	OMD-115	MASTER CYL.	OX (AUST) 8
GEARBOX	OMD-115	MANUAL STG. BOX	OEP-220
TRANSFER BOX	CASTROL FMX	POWER STG. BOX	OX46 or OX 47
AXLES	OEP-220	LUBE, NIPPLES	XG-274
SWIVEL PIN H'SING	OEP-220	WINCH	OEP-220

ELECTRICAL — 12 VOLT NEGATIVE TO EARTH SYSTEM



THIS VEHICLE WAS MANUFACTURED BY JRA LIMITED TO COMPLY WITH AUSTRALIAN DESIGN RULE NO

1	2	3	4C	5B	6	7	8	11	12	---
15	28A	30	35A	---	---	---	---	---	---	---

LANDROVER MILITARY 4 CYL DIE

SALLDH AZ 18F

GVM 3200 KG SEATING CAP

THIS PLATE IS AFFIXED WITH THE APPROVAL OF THE AUSTRALIAN MOTOR VEHICLE CERTIFICATION BOARD

Cyclopac Air Cleaner

Service Instructions (See Owner's Manual for detailed instructions)

1. Service element only when restriction reaches allowable limit.
2. Wipe inside of air cleaner with damp cloth.
3. Inspect gaskets, system, and tighten clamps.
4. Check replacement element for any damage.

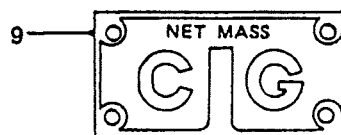
DO NOT OVERSERVICE ELEMENT

Donaldson FH008-0420 P90-0433 P90-0434

Air Cleaner Main Element Safety Element

Customer

Made by Donaldson Australia Pty Limited Wymong NSW



IDENTIFICATION AND INSTRUCTION LABELS — RFSV ONLY

PERENTIE LAND ROVER PARTS LIST

ITEM	PART NO.	DESCRIPTION	NSN	DERIVATIVE CODE							CP
				2188	2189	2190	2191	2192	2194	2195	
1	HYG3685	PLATE-NOMENCLATURE									1
1	HYG5966	PLATE-NOMENCLATURE									1 01
2	HYG1764	LABEL-JACKING	9905-66-128-4965								2
3	HYG2712	LABEL-PAINT									1
4	HYG4744	PLATE-SERVICE DATA									1
5	NSS										
6	AYG9788	LABEL-NATO SOCKET COVER	9905-66-128-4967								1
7	NSS										
8	MYH3362	PLATE-COMPLIANCE									1
9	HYG493	PLATE-C.O.G.									1
	RA608176L	POP RIVET-PLATES	5320-99-941-7268								16

CHANGE POINT

1


ARN INTRODUCTION

51-610

GROUP SGD/2 SHEET 2

BRAKE SYSTEM
WARNING: CLEAN BOTTLE FILLER CAP BEFORE REMOVING. USE ONLY BRAKE FLUID FROM A SEALED CONTAINER. THIS FLUID MUST MEET THE REQUIREMENTS OF FMV SS 116 DOT 3 OR SAE J1703.

10

 THIS ENGINE COOLING SYSTEM IS PROTECTED WITH
ALFLOC 2001
 THE LONG LIFE CORROSION INHIBITOR FOR ALUMINIUM ALLOY OR CAST IRON ENGINES
 ■ DO NOT USE SUBSTITUTES OR UNTREATED TOP UP WATER
 ■ RECOMMENDED DOSAGE RATE - 50 ml ALFLOC 2001 PER LITRE (0.22 gal) COOLING SYSTEM CAPACITY
 Made By CATOLEUM PTY. LTD.

11

THIS PLUG
MUST NOT
 BE REMOVED
 WHEN ENGINE
 IS HOT

MRC 7253

12

TOWING AND DYNO, TEST DATA

FLAT AND LIFT TOWING — DISTANCE UNDER 200 KM

... SET GEARBOX AND TRANSFER CASE IN NEUTRAL.
 ... SET TRANSFER BOX CONTROL SWITCH IN "ON ROAD" POSITION.
 ... ENSURE DIFF. LOCK WARNING LIGHT IS NOT ILLUMINATED.

FOR DISTANCE OVER 200 KM

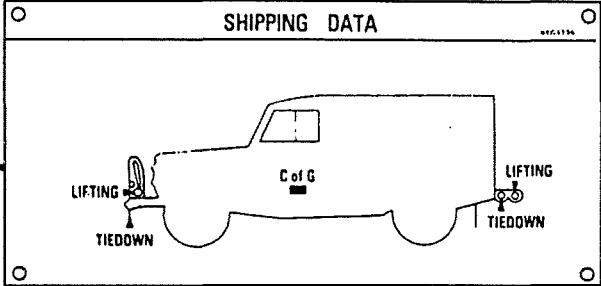
... REPEAT ABOVE AND REMOVE PROPELLER SHAFTS.

DYNO TEST ON ONE AXLE

... REMOVE PROPELLER SHAFT FROM NON-DRIVEN AXLE
 ... SET TRANSFER BOX CONTROL SWITCH TO "CROSS-COUNTRY"
 ... ENSURE DIFF. LOCK WARNING LIGHT IS ILLUMINATED. HYG 2816

13

14

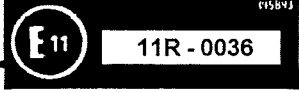


15



16

17



WARNING
 DO NOT TOW VEHICLE
 WITH WINCH ROPE

IN WINCH CLUTCH OUT

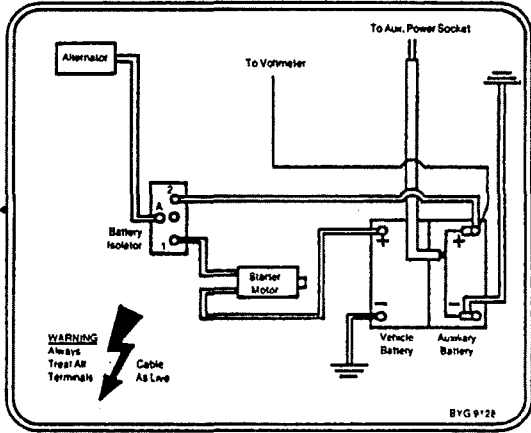
18

19



20

21



WINCH OPERATING INSTRUCTIONS

HYG 2916

<p>1. SWITCH ENGINE OFF.</p> <p>2. SET WINCH DOG CLUTCH LEVER VERTICAL (DOG CLUTCH DISENGAGED) AND REEL OUT CABLE.</p> <p>3. ATTACH CABLE TO SELECTED ANCHOR POINT.</p>	<p>4. PUSH DOG CLUTCH LEVER OUTBOARD, TURNING WINCH DRUM BY HAND TO ENSURE DOG CLUTCH HAS ENGAGED.</p> <p>5. SET TRANSFER CASE CONTROL LEVER IN ITS NEUTRAL POSITION.</p> <p>6. START ENGINE, DEPRESS CLUTCH PEDAL AND SELECT A LOW FORWARD GEAR.</p>	<p>7. PULL OUT WINCH PTO CONTROL IN SEATBASE TO ENGAGE WINCH DRIVE.</p> <p>8. SLOWLY RELEASE CLUTCH PEDAL TO WIND IN WINCH CABLE.</p> <p>9. DEPRESS CLUTCH PEDAL TO STOP WINCH. (WORM GEARING WILL ENSURE THAT CABLE LOAD IS HELD.)</p>	<p>10. SELECT NEUTRAL GEAR IN GEARBOX AND PUSH IN PTO CONTROL TO DISENGAGE WINCH.</p> <p>11. DRIVE VEHICLE FORWARD TO SLACKEN CABLE.</p> <p>12. DISENGAGE WINCH DOG CLUTCH BY SETTING DOG CLUTCH LEVER VERTICALLY.</p>
---	---	---	--

DO NOT TRAVEL WITH WINCH ENGAGED
 DO NOT HAVE LESS THAN FOUR WRAPS OF CABLE ON THE DRUM

SEE USER HANDBOOK FOR MORE DETAILED INSTRUCTIONS.

IDENTIFICATION AND INSTRUCTION LABELS – RFSV ONLY

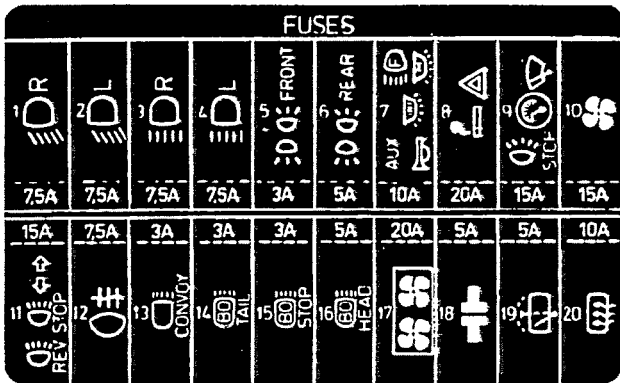
PERENTIE LAND ROVER PARTS LIST

<u>ITEM</u>	<u>PART NO.</u>	<u>DESCRIPTION</u>	<u>NSN</u>	<u>DERIVATIVE CODE</u>							<u>CP</u>
				<u>2188</u>	<u>2189</u>	<u>2190</u>	<u>2191</u>	<u>2192</u>	<u>2194</u>	<u>2195</u>	
10	HYJ0122	LABEL - BRAKE FLUID									1
11	MYH3266	LABEL - INHIBITOR	9905-66-128-4969								1
12	MRC7253	LABEL - WARNING RADIATOR									1
13	HYG2816	LABEL - TOWING									1
14	HYG1735	PLATE - SHIPPING DATA									1
15	NSS										
16	NSS										
17	NSS										
18	HYL8784	LABEL - WIRING	7690-66-128-5274								1
19	BYG9213	DECAL - BATTERY WARNING									1
20	R502951	LABEL - FUEL									1
21	AYG3516	PLATE - INSTRUCTION WINCH	9905-66-128-5273								1
	RA608176L	POP RIVET - PLATES									14

CHANGE POINT

ARN INTRODUCTION

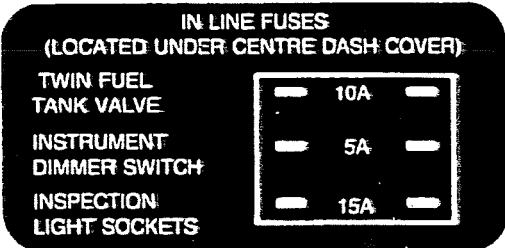
GROUP SGD/2 SHEET 3



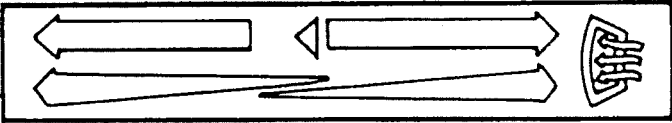
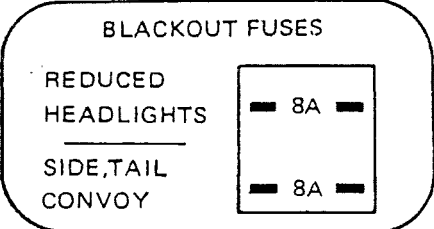
CAUTION

TO PREVENT DAMAGE TO HIGH/LOW RANGE GEARS:

- 1) ONLY CHANGE RANGE WHEN VEHICLE IS **STATIONARY**
- 2) SELECT REQUIRED RANGE AND **MAINTAIN EFFORT** ON LEVER UNTIL VEHICLE IS IN MOTION



LAND ROVER 110 4 x 4		
TYRE SIZE	RIM SIZE	
7.50R-16LT (8 OR 10 PLY)	5.50 F x 16	
	6.00 F x 16	
7.50-16LT	6.00 G x 16	
NOTE — FRONT & REAR TYRES SHALL BE OF THE SAME TYPE & CONSTRUCTION		
LOAD CARRYING CAPACITY	FRONT AXLE	REAR AXLE
	1600	2100
COLD TYRE PRESSURES kPa (PSI)	275 (40)	400 (58)
NOTE — THE SUM OF THE LOAD CARRYING CAPACITIES OF THE TYRES FITTED TO ANY AXLE OR AXLE GROUP OF THIS VEHICLE SHALL NOT BE LESS THAN THE RELEVANT LOAD SHOWN ABOVE. THE TYRES FITTED TO THIS VEHICLE SHALL HAVE A SPEED CATEGORY NOT LESS THAN "L" 120 km/h		
AYG 8173		



WARNING
DO NOT ENGAGE COMPRESSOR WHILE ENGINE IS RUNNING
MAGNUM AIR COMPRESSOR

LID HASPS & BIN CLAMPS MUST BE SECURED AT ALL TIMES

BYG8006

IDENTIFICATION AND INSTRUCTION LABELS — RFSV ONLY

PERENTIE LAND ROVER PARTS LIST

<u>ITEM</u>	<u>PART NO.</u>	<u>DESCRIPTION</u>	<u>NSN</u>	<u>DERIVATIVE CODE</u>							<u>CP</u>
				<u>2188</u>	<u>2189</u>	<u>2190</u>	<u>2191</u>	<u>2192</u>	<u>2194</u>	<u>2195</u>	
22	PRC8252	LABEL - FUSES	9905-66-128-5961								1
23	HYG4063	LABEL - WARNING	9905-66-128-5888								1
24	BYG9117	LABEL - INLINE FUSES									1
25	AYG8173	DECAL - TYRE									1
26	HYG3510	LABEL - HEATER CONTROL									1
27	HYL9778	DECAL - COMPRESSOR									1
28	BYG8006	LABEL - WARNING									1

CHANGE POINT

ARN INTRODUCTION

29

WARNING

**DO NOT DRILL OR WELD
ANY PART OF ROLL OVER
PROTECTION STRUCTURE**

HYG 5684

PERENTIE LAND ROVER PARTS LIST

SGD/2/4 IDENTIFICATION LABELS AND INSTRUCTION PLATES

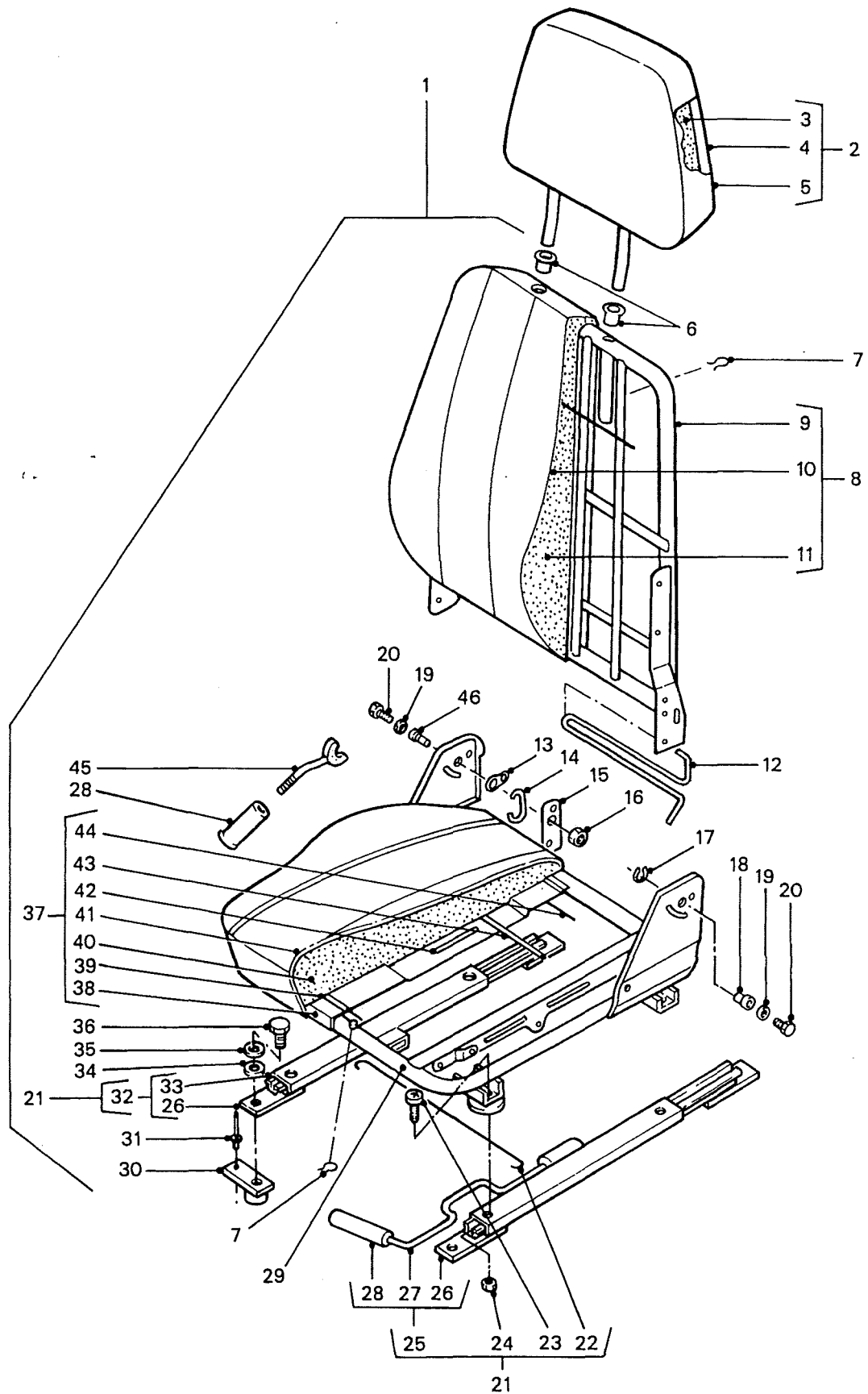
<u>ITEM</u>	<u>PART NO.</u>	<u>DESCRIPTION</u>	<u>NSN</u>	<u>DERIVATIVE CODE</u>									
				<u>2188</u>	<u>2189</u>	<u>2190</u>	<u>2191</u>	<u>2192</u>	<u>2194</u>	<u>2195</u>	<u>2207</u>	<u>CP</u>	
29	HYG5684	DECAL - WARNING ROLLOVER PROTECTION	7690-66-128-6114										1

CHANGE POINT

ARN INTRODUCTION

GROUP SH

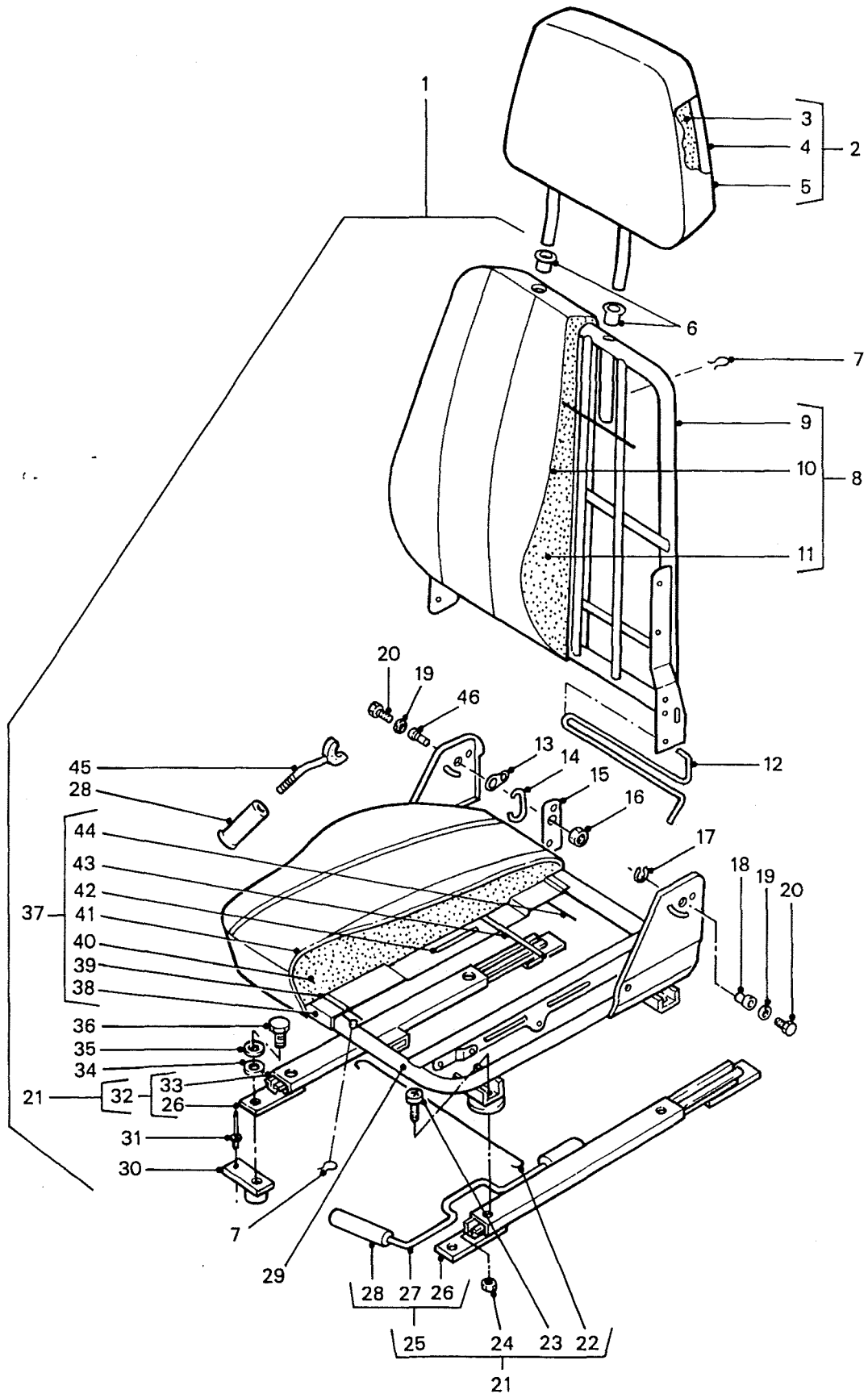
SHEET 1



FRONT SEAT (ISRI)

PERENTIE LAND ROVER PARTS LIST

ITEM	SH /1/1 PART NO.	FRONT SEATS - (ISRI) DESCRIPTION	NSN	DERIVATIVE CODE								CP
				2188	2189	2190	2191	2192	2194	2195	2207	
1	HYG4608	SEAT-ASSY-RH	2540-66-128-4732	1	1	1	1	1	1	1	1	1
1	HYG4609	SEAT-ASSY-LH	2540-66-128-4731	1	1	1	1	1	1	1	1	1
2	HYG5671	HEADREST ASSY		2	2	2	2	2	2	2	2	2
3	NSS											
4	NSS											
5	NSS											
6	HYM465	BUSH-HEADREST GUIDE		4	4	4	4	4	4	4	4	4
7	HYL9613	CLIP-SPRING	5340-66-128-5942	4	4	4	4	4	4	4	4	4
8	HYL8690	SQUAB ASSY-RH	2540-66-128-4742	1	1	1	1	1	1	1	1	1
8	HYL8691	SQUAB ASSY-LH	2540-66-128-4734	1	1	1	1	1	1	1	1	1
9	NSS											
10	NSS											
11	NSS											
12	HYL8699	BAR-TORSION-RH		1	1	1	1	1	1	1	1	1
12	HYL8698	BAR-TORSION-LH		1	1	1	1	1	1	1	1	1
13	HYL8681	LINK		2	2	2	2	2	2	2	2	2
14	HYL8682	SPRING-BOW		2	2	2	2	2	2	2	2	2
15	HYL8683	LEVER-TOOTHED-RH		1	1	1	1	1	1	1	1	1
15	HYL8684	LEVER-TOOTHED-LH		1	1	1	1	1	1	1	1	1
16	HYL8685	NUT	5310-66-128-4909	2	2	2	2	2	2	2	2	2
17	HYL8700	CIRCLIP	5365-66-128-4910	2	2	2	2	2	2	2	2	2
18	HYL8679	BUSH	3120-66-128-4913	2	2	2	2	2	2	2	2	2
19	HYL8694	WASHER-LOCK	5310-66-128-4911	4	4	4	4	4	4	4	4	4
20	HYL8680	BOLT	5306-66-128-4912	4	4	4	4	4	4	4	4	4
21	HYM456	KIT-SEAT SLIDE-RH	2540-66-128-6187	2	2	2	2	2	2	2	2	2
21	HYM455	KIT-SEAT SLIDE-LH	2540-66-128-6188	2	2	2	2	2	2	2	2	2
22	HYL9612	WIRE CONNECTING		2	2	2	2	2	2	2	2	2
23	HYL8695	SCREW-20MM-SEAT SLIDE KIT	5305-66-128-4919	4	4	4	4	4	4	4	4	4
23	HYL8697	SCREW-35MM-SEAT SLIDE KIT	5305-66-128-4917	4	4	4	4	4	4	4	4	4



FRONT SEAT (ISRI)

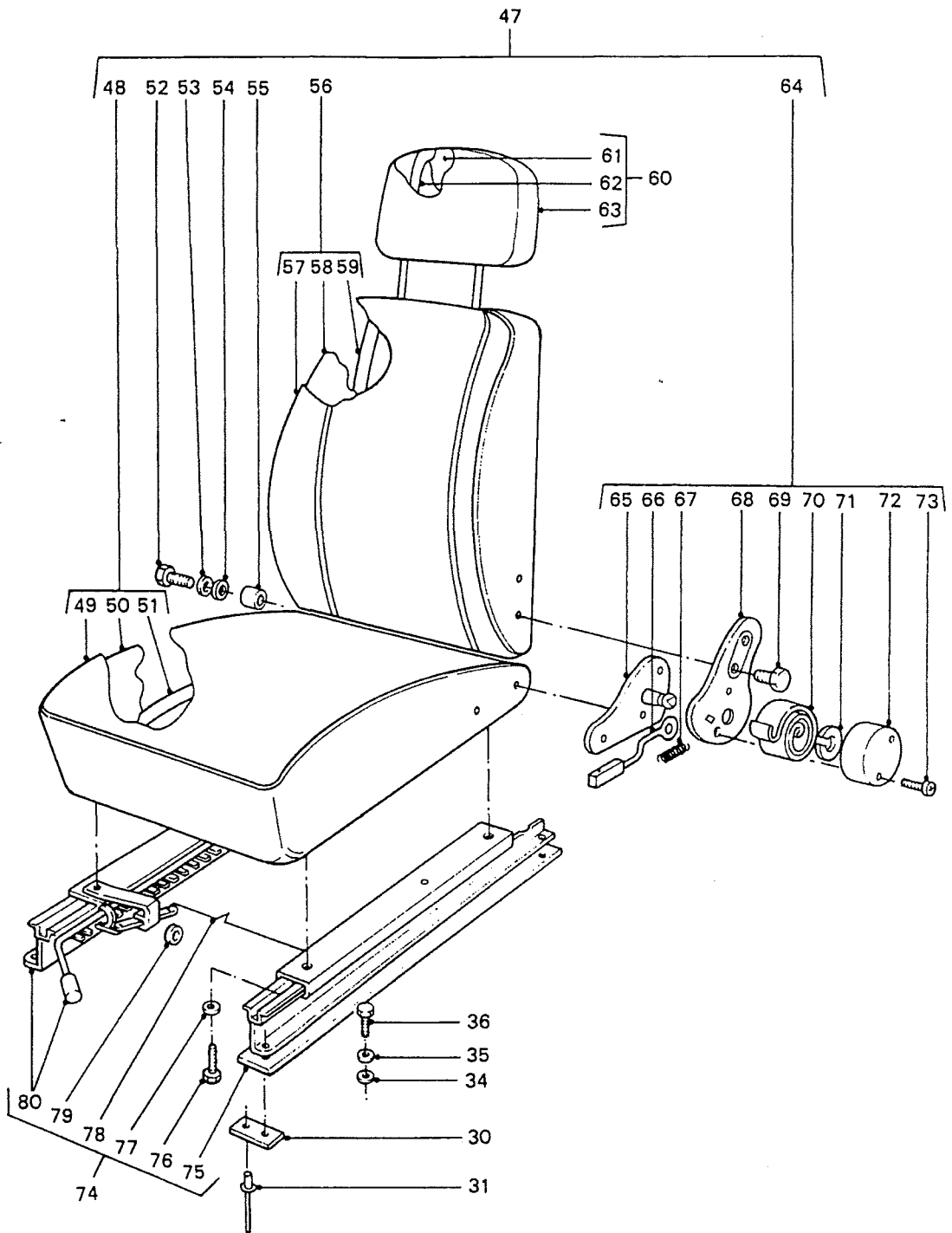
PERENTIE LAND ROVER PARTS LIST

<u>ITEM</u>	<u>SH /1/1</u> <u>PART NO.</u>	<u>FRONT SEATS - (ISRI)</u> <u>DESCRIPTION</u>	<u>NSN</u>	<u>DERIVATIVE CODE</u>								<u>CP</u>
				<u>2188</u>	<u>2189</u>	<u>2190</u>	<u>2191</u>	<u>2192</u>	<u>2194</u>	<u>2195</u>	<u>2207</u>	
24	HYL8696	NUT-NYLOC	5310-66-128-4918	8	8	8	8	8	8	8	8	8
25	NSS											
26	NSS											
27	NSS											
28	HYL8676	KNOB-RECLINER	2540-66-128-5031	2	2	2	2	2	2	2	2	2
29	HYL9615	FRAME ASSY-CUSHION-RH		1	1	1	1	1	1	1	1	1
29	HYL9614	FRAME ASSY-CUSHION-LH		1	1	1	1	1	1	1	1	1
30	MUC7947	BUSH/PLATE ASSY-SEAT		8	8	8	8	8	8	8	8	8
31	RU608313L	POP RIVET		8	8	8	8	8	8	8	8	8
32	HYM456	KIT-SEAT SLIDE-RH	2540-66-128-6187	2	2	2	2	2	2	2	2	2
32	HYM455	KIT-SEAT SLIDE-LH	2540-66-128-6188	2	2	2	2	2	2	2	2	2
33	NSS											
34	WA108051L	WASHER-PLAIN	5310-99-122-6475	8	8	8	8	8	8	8	8	8
35	WL108001L	WASHER-LOCK	5310-99-137-9231	8	8	8	8	8	8	8	8	8
36	FS108301	SCREW		8	8	8	8	8	8	8	8	8
37	HYL8692	CUSHION ASSY-LH & RH	2540-66-128-4748	2	2	2	2	2	2	2	2	2
38	NSS											
39	NSS											
40	NSS											
41	NSS											
42	NSS											
43	NSS											
44	NSS											
45	HYL8678	LEVER-RH	2540-66-128-4769	1	1	1	1	1	1	1	1	1
45	HYL8677	LEVER-LH	2540-66-128-4772	1	1	1	1	1	1	1	1	1
46	HYL8686	BOLT-CONNECTING	5306-66-128-4920	2	2	2	2	2	2	2	2	2

CHANGE POINT

ARN INTRODUCTION

GROUP SH SHEET 2

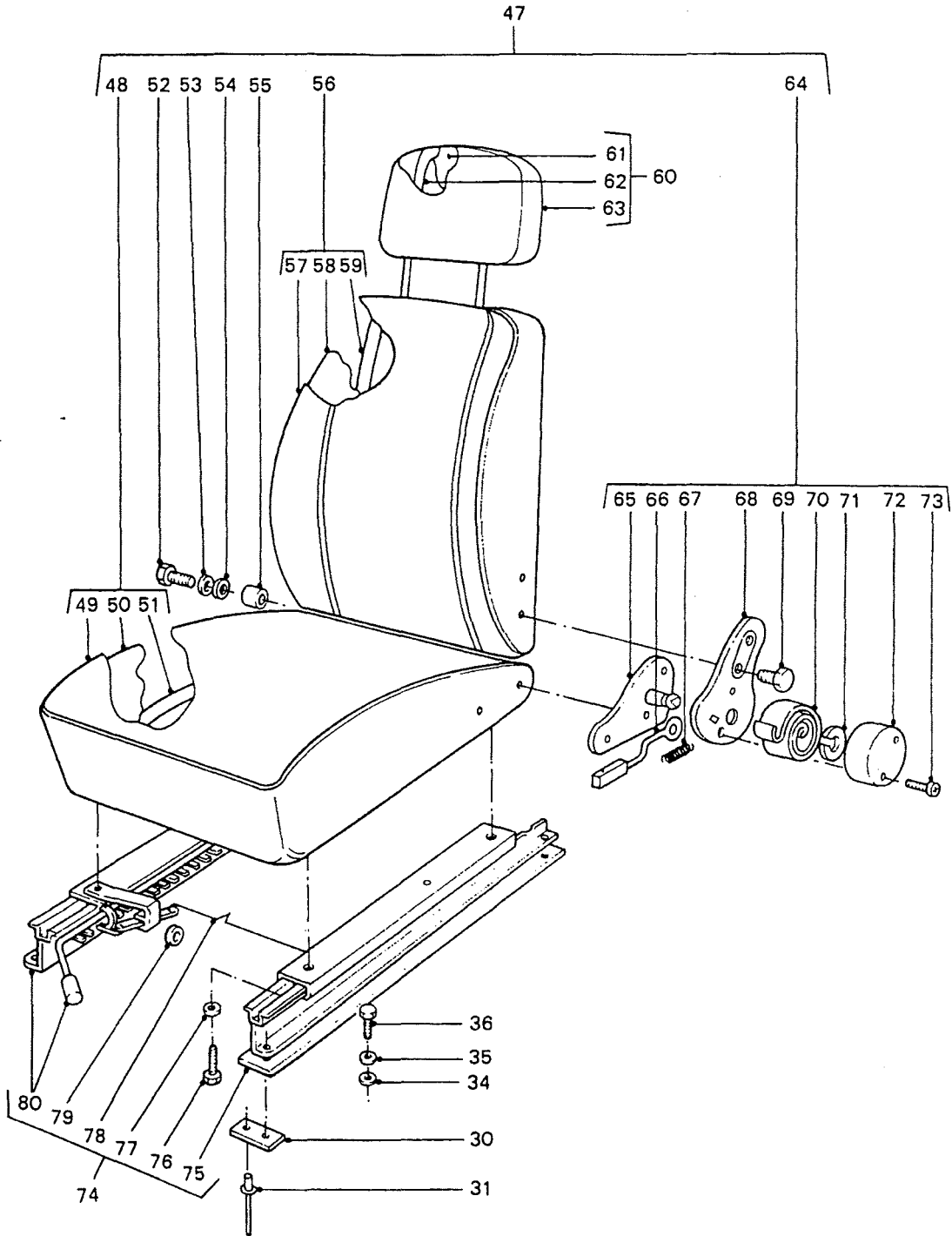


FRONT SEAT (STRATOS)

PERENTIE LAND ROVER PARTS LIST

ITEM	SH 1/2 PART NO.	FRONT SEATS - (STRATOS) DESCRIPTION	NSN	DERIVATIVE CODE									
				2188	2189	2190	2191	2192	2194	2195	2207	CP	
47	HYG4936	SEAT ASSY-RH	2540-66-128-6164	1	1	1	1					1	01
47	HYG4937	SEAT ASSY-LH	2540-66-128-6163	1	1	1	1					1	01
48	HYM421	CUSHION ASSY-RH	2540-66-128-6169	1	1	1	1					1	
48	HYM422	CUSHION ASSY-LH	2540-66-128-6168	1	1	1	1					1	
	HYG5608	COVER-CUSHION										2	
49	NSS												
50	NSS												
51	NSS												
52	HYM429	SCREW	5305-66-128-6167	2	2	2	2					2	
53	HYM445	WASHER-PLAIN	5310-66-128-6166	2	2	2	2					2	
54	HYM446	WASHER-NYLON	5310-66-128-6165	2	2	2	2					2	
55	HYM430	BUSH	3120-66-128-6174	2	2	2	2					2	
56	HYM415	SQUAB ASSY-RH	2540-66-128-6176	1	1	1	1					1	
56	HYM416	SQUAB ASSY-LH	2540-66-128-6177	1	1	1	1					1	
	HYG5609	COVER-SQUAB										2	
57	NSS												
58	NSS												
59	NSS												
60	HYG5648	HEADREST ASSY		2	2	2	2					2	
61	NSS												
62	NSS												
63	NSS												
64	HYM418	RECLINER ASSY-RH	2540-66-128-6171	2	2	2	2					2	
64	HYM419	RECLINER ASSY-LH	2540-66-128-6170	2	2	2	2					2	
65	SE104251	SCREW		4	4	4	4					8	
66	NSS												
67	NSS												
68	NSS												

GROUP SH SHEET 2



FRONT SEAT (STRATOS)

PERENTIE LAND ROVER PARTS LIST

ITEM	SH /1/2 PART NO.	FRONT SEATS - (STRATOS) DESCRIPTION	NSN	DERIVATIVE CODE								
				2188	2189	2190	2191	2192	2194	2195	2207	CP
69	HYM427	SCREW	5305-66-128-6179	4	4	4	4					4
70	NSS											
71	NSS											
72	NSS											
73	NSS											
74	HYM424	KIT-SEAT SLIDE-RH	2540-66-128-6173	2	2	2	2					2
74	HYM425	KIT-SEAT SLIDE-LH	2540-66-128-6172	2	2	2	2					2
75	NSS											
76	HYM428	SCREW	5305-99-122-5368	6	6	6	6					6
77	NSS											
78	HYM426	WIRE-SLIDE CONNECTOR		2	2	2	2					2
79	NSS											
80	NSS											
81	NSS											
82	FS108301	SCREW	5305-99-122-5368	8	8	8	8					8
83	WA108051L	WASHER-PLAIN	5310-99-122-6475	8	8	8	8					8
84	WL108001L	WASHER-LOCK	5310-99-137-9231	8	8	8	8					8
85	MUC7947	SPACER-SEAT RUNNERS		8	8	8	8					8
86	RU608313L	POP RIVET		8	8	8	8					8

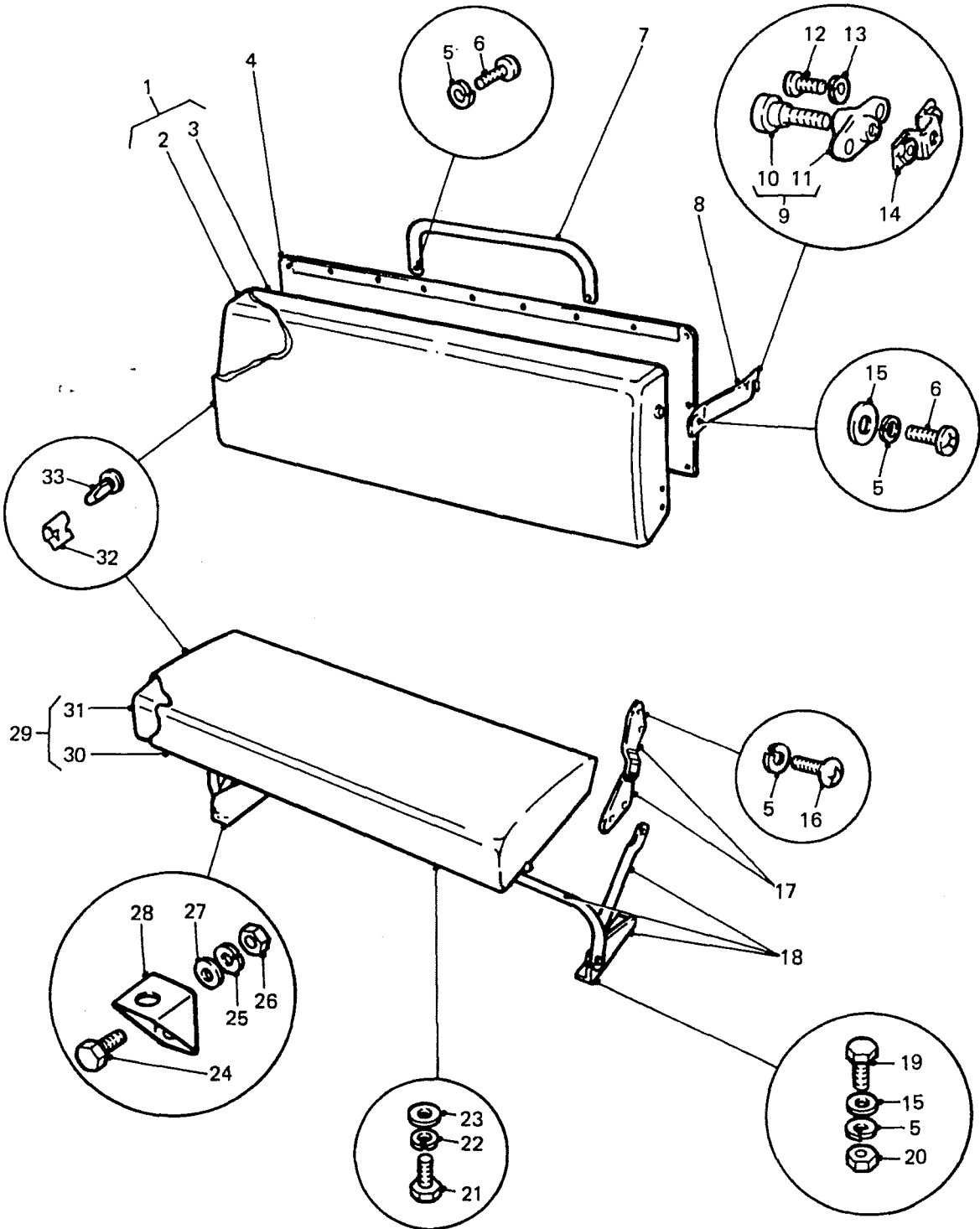
CHANGE POINT

1

ARN INTRODUCTION

FIRST 48RSFV FITTED WITH STRATOS SEATS. ARN 51-58 TO 51-628

GROUP SJ



**REAR TRANSVERSE SEAT
– STATION WAGONS ONLY**

PERENTIE LAND ROVER PARTS LIST

ITEM	SJ /1/1 PART NO.	REAR TRANSVERSE SEAT - STATION WAGON ONLY DESCRIPTION	NSN	DERIVATIVE CODE						
				2188	2189	2190	2191	2192	2194	2195
1	HYG2478	SQUAB ASSY-REAR	2540-66-128-5153						1	1
2	NSS									
3	HYG2186	COVER-SQUAB							1	1
4	R396922	TRIM BOARD							1	1
5	WL108004	WASHER-LOCK	5310-66-128-5174						16	16
6	SE108254	SCREW	5305-66-128-5096						4	4
7	MTC6457	GRABRAIL							1	1
8	MTC6754	SUPPORT LINK-RH	2540-66-128-5159						1	1
8	MTC6755	SUPPORT LINK-LH	2540-66-128-5158						1	1
9	MTC6756	LOCKING PLATE	5310-66-128-5269						2	2
10	NSS									
11	NSS									
12	SE108204	SCREW	5305-66-128-5099						4	4
13	WL106004L	WASHER-LOCK	5310-99-135-4101						4	4
14	MRC9431	NUT PLATE	5310-66-128-5189						2	2
15	WA108054	WASHER-PLAIN	5310-66-128-5108						12	12
16	SE108164	SCREW	5305-66-128-5098						8	8
17	MTC6466	HINGE-RH	2540-66-128-5151						1	1
17	MTC6467	HINGE-LH	2540-66-128-5150						1	1
18	MTC6470	TUBE-SEAT							1	1
19	SE108204	SCREW	5305-66-128-5099						4	4
20	NH108044	NUT	5310-66-128-4924						4	4
21	SH108401L	SCREW	5306-66-097-0722						2	2
22	WL108001L	WASHER-LOCK	5310-99-137-9231						2	2
23	WA108051L	WASHER-PLAIN	5310-99-122-6475						2	2
24	FS106201	SCREW	5305-99-122-5361						4	4
25	WL106001L	WASHER-LOCK	5310-99-137-9232						4	4
26	NH106041L	NUT	5310-66-098-4401						4	4
27	WA106041L	WASHER-PLAIN	5310-66-098-4440						4	4

PERENTIE LAND ROVER PARTS LIST

SJ /1/1

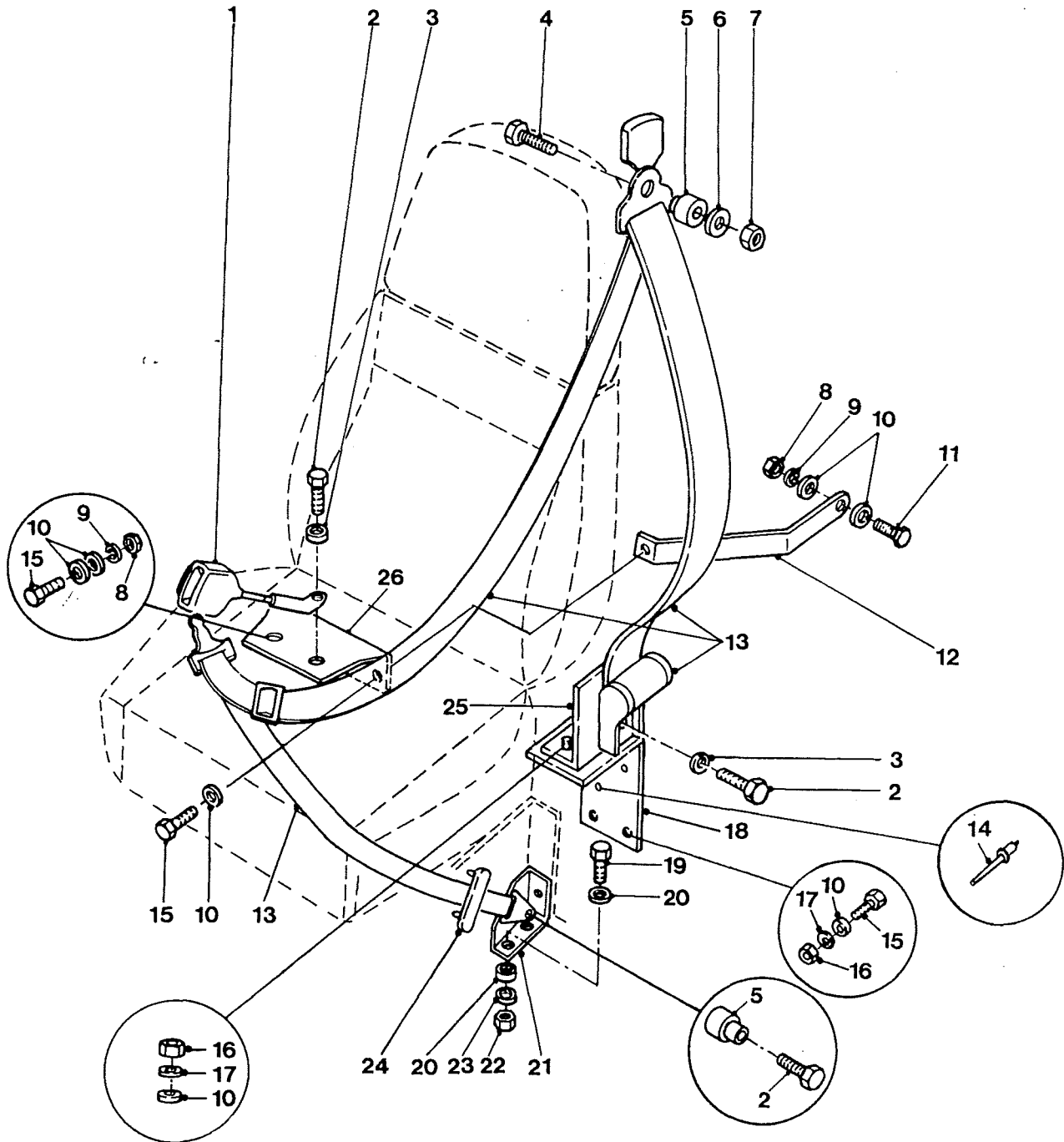
REAR TRANSVERSE SEAT - STATION WAGON ONLY

<u>ITEM</u>	<u>PART NO.</u>	<u>DESCRIPTION</u>	<u>NSN</u>	<u>DERIVATIVE CODE</u>								<u>CP</u>
				<u>2188</u>	<u>2189</u>	<u>2190</u>	<u>2191</u>	<u>2192</u>	<u>2194</u>	<u>2195</u>	<u>2207</u>	
28	MTC6474	BRACKET-MTG-RH								1	1	
28	MTC6475	BRACKET-MTG-LH								1	1	
29	HYG2477	CUSHION ASSY-REAR	2540-66-128-5152							1	1	
30	HYG2185	COVER-CUSHION								1	1	
31	NSS											
32	R315264	CLIP-TRIM	5340-66-128-5371							12	12	
33	RTC3751	DRIVE FASTENER	5325-66-128-5366							15	15	

CHANGE POINT

ARN INTRODUCTION

GROUP SL/1

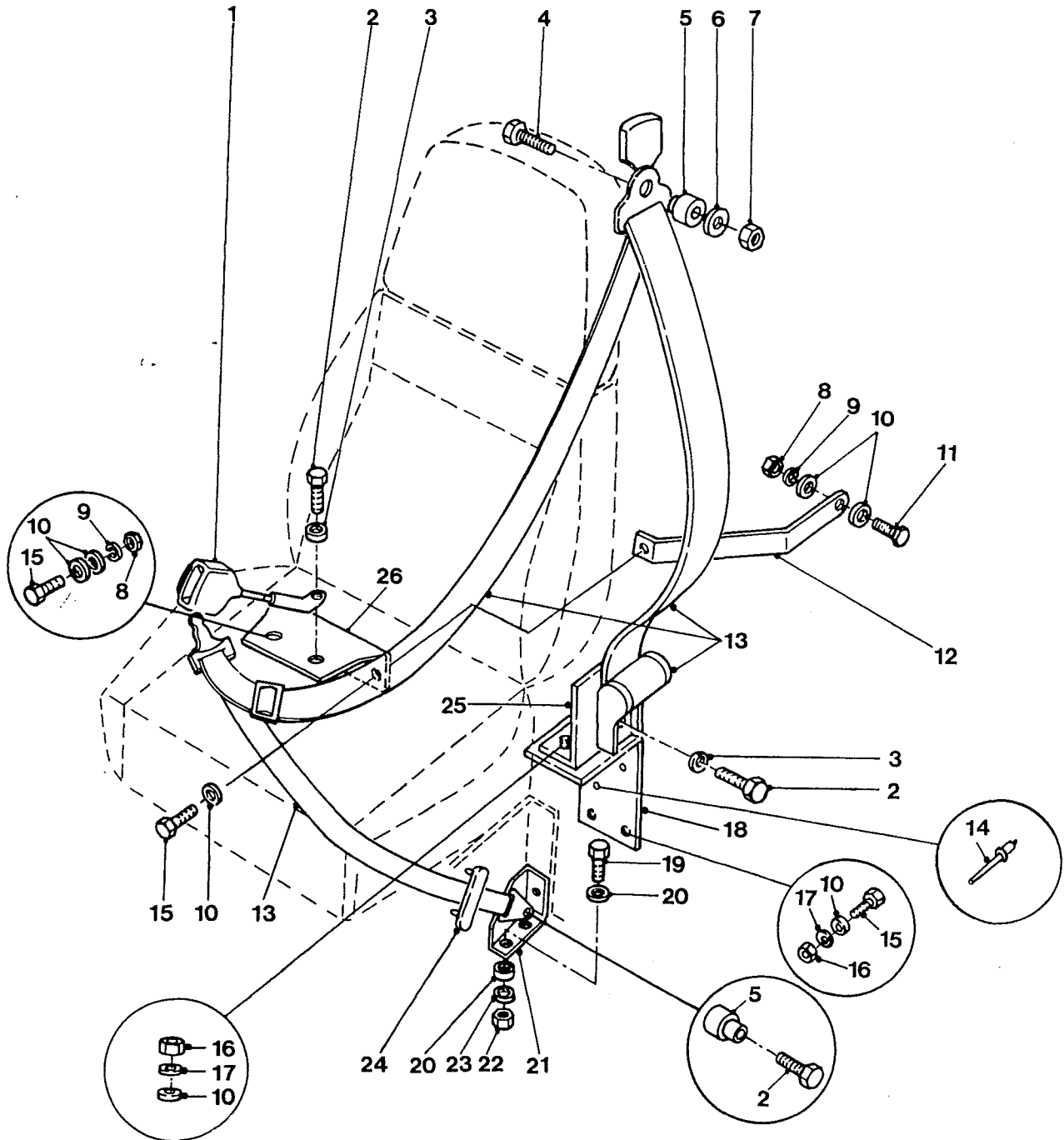


FRONT SEAT BELTS

PERENTIE LAND ROVER PARTS LIST

ITEM	SL /1/1 PART NO.	FRONT SEAT BELTS - EXCEPT STATION WAGONS DESCRIPTION	NSN	DERIVATIVE CODE								
				2188	2189	2190	2191	2192	2194	2195	2207	CP
1	HYG4726	STALK-BUCKLE-RH	2540-66-128-5996	1	1	1	1	1				1
1	HYG4725	STALK-BUCKLE-LH	2540-66-128-5995	1	1	1	1	1				1
2	NSS											
3	NSS											
4	NSS											
5	NSS											
6	NSS											
7	NY607041L	NUT-NYLOC	5310-99-941-7650	2	2	2	2	2				2
8	NH106041L	NUT	5310-66-098-4401	4	4	4	4	4				4
9	WL108001L	WASHER-LOCK	5310-99-137-9231	6	6	6	6	6				6
10	WC108051L	WASHER-PLAIN		22	22	22	22	22				22
11	FS108201	SCREW		2	2	2	2					2
12	MRC4885	BAR ASSY-TIE-RH		1	1							
12	MRC4885	BAR ASSY-TIE-LH		1	1							
12	HYG3126	BAR ASSY-TIE-RH				1	1	1				1
12	HYG3127	BAR ASSY-TIE-LH				1	1	1				1
13	HYG4727	INERTIA REEL	2540-66-128-5994	2	2	2	2	2				2
13	HYG7564	SLEEVE-PROTECTOR -SEAT BELT		2	2	2	2	2				2
14	RA612347	POP RIVET	5320-99-136-1459	4	4	4	4	4				4
15	FS108251	SCREW	5305-99-122-5367	8	8	8	8	8				8
16	NT108041L	NUT	5310-66-098-4402	4	4	4	4	4				4
17	WL108001L	WASHER-LOCK	5310-99-137-9231	4	4	4	4	4				4
18	MRC8524	PANEL-CLOSING		2	2	2	2	2				2
19	SH106251L	SCREW	5305-99-122-5362	4	4	4	4	4				4
20	MRC5527	WASHER-PLAIN	5310-99-977-1694	8	8	8	8	8				8
21	R345100	GUSSET-SILL-RH		1	1	1	1	1				1
21	R345101	GUSSET-SILL-LH		1	1	1	1	1				1
22	NH106041L	NUT	5310-66-098-4401	4	4	4	4	4				4
23	WL106001L	WASHER-LOCK	5310-99-137-9232	4	4	4	4	4				4

GROUP SL/1



FRONT SEAT BELTS

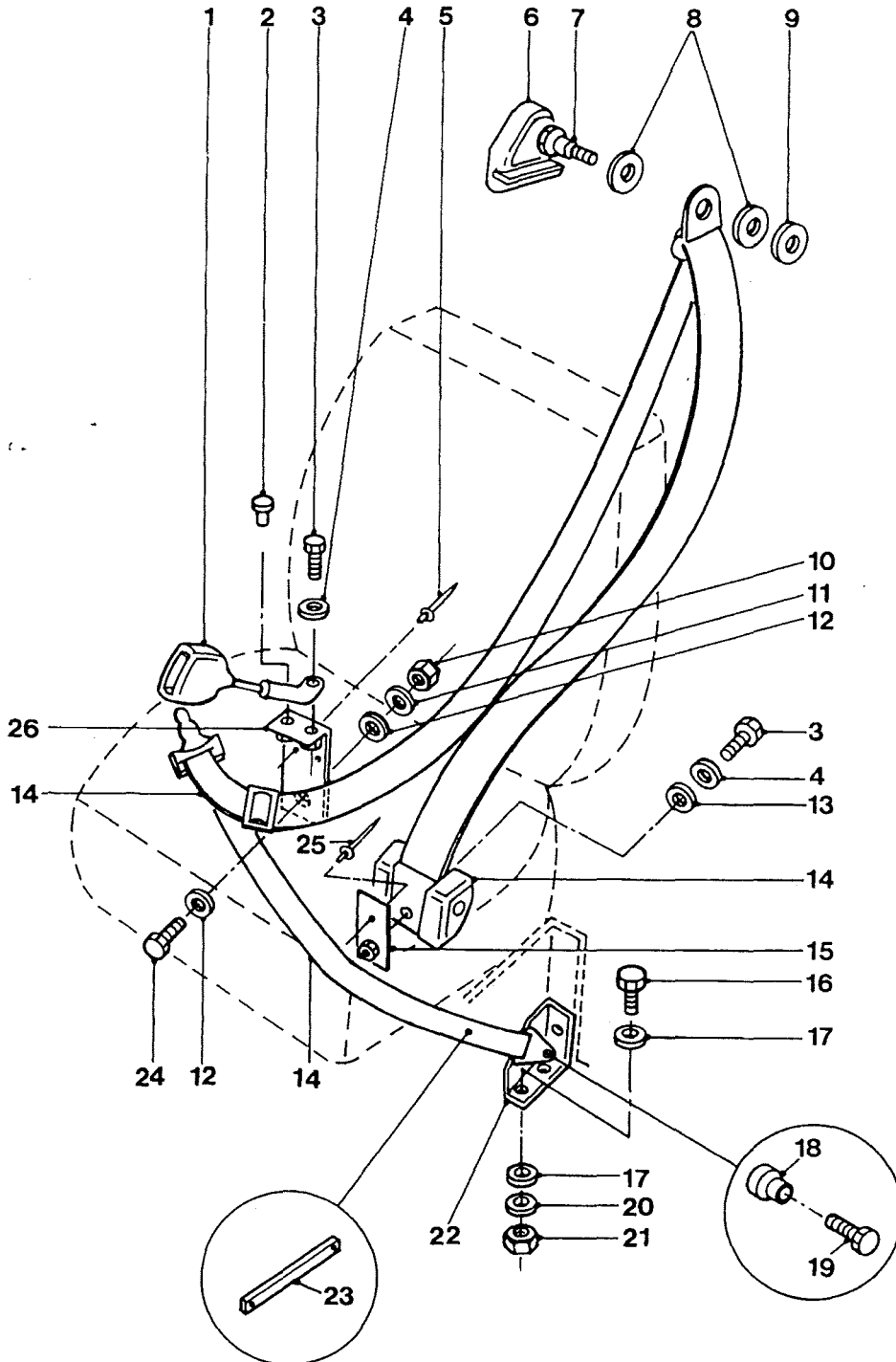
PERENTIE LAND ROVER PARTS LIST

<u>SL /1/1</u>		<u>FRONT SEAT BELTS - EXCEPT STATION WAGONS</u>				<u>DERIVATIVE CODE</u>						
<u>ITEM</u>	<u>PART NO.</u>	<u>DESCRIPTION</u>	<u>NSN</u>	<u>2188</u>	<u>2189</u>	<u>2190</u>	<u>2191</u>	<u>2192</u>	<u>2194</u>	<u>2195</u>	<u>2207</u>	<u>CP</u>
24	AFU2875	CLIP-SEAT BELT	2540-99-721-4469	2	2	2	2	2				2
25	MTC4090	BRACKET-MOUNTING		2	2	2	2	2				2
26	R395252	BRACKET		2	2	2	2	2				2
	R345458	PLUG-REDUNDANT MTG.HOLES	5340-66-128-5368	2	2	2	2	2				2
	HYG4731	KIT-FIXING-SEAT BELTS	2540-66-128-6115	1	1	1	1	1				1

CHANGE POINT

ARN INTRODUCTION

GROUP SL/2

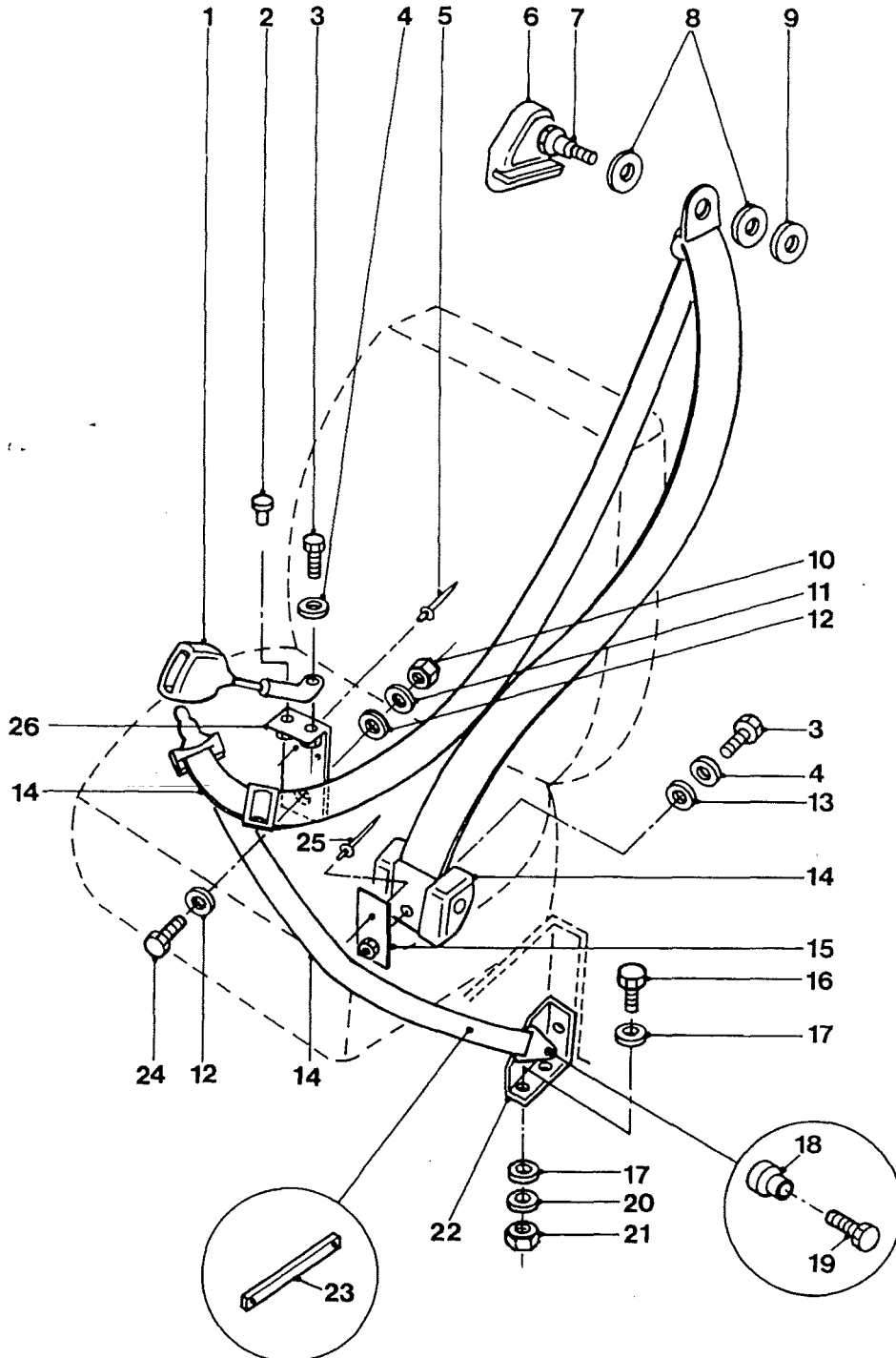


**FRONT SEAT BELTS
– STATION WAGONS ONLY**

PERENTIE LAND ROVER PARTS LIST

ITEM	SL /2/1 PART NO.	FRONT SEAT BELTS - STATION WAGONS ONLY DESCRIPTION	NSN	DERIVATIVE CODE							
				2188	2189	2190	2191	2192	2194	2195	2207 CP
1	HYG4726	STALK BUCKLE-RH	2540-66-128-5996							1	1
1	HYG4725	STALK BUCKLE-LH	2540-66-128-5995							1	1
2	R345458	PLUG-SEALING	5340-66-128-5368							2	2
3	HYL9317	BOLT								4	4
4	NSS										
5	RA612347	POP RIVET	5320-99-136-1459							4	4
6	NSS										
7	NSS										
8	NSS										
9	NSS										
10	FN108041	NUT	5310-99-499-8033							4	4
11	WL108001L	WASHER-LOCK	5310-99-137-9231							4	4
12	WC108051L	WASHER-PLAIN								8	8
13	NSS										
14	HYG4727	INERTIA REEL	2540-66-128-5994							2	2
14	HYG7564	SLEEVE-PROTECTOR -SEAT BELT								2	2
15	MRC4731	NUT PLATE								2	2
16	SH106251L	SCREW	5305-99-122-5362							4	4
17	MRC5527	WASHER-PLAIN	5310-99-977-1694							8	8
18	NSS										
19	NSS										
20	MRC5527	WASHER-PLAIN	5310-99-977-1694							12	12
20	WL106001L	WASHER-LOCK	5310-99-137-9232							4	4
21	NH106041L	NUT	5310-66-098-4401							4	4
22	R345100	GUSSET-SILL-RH								1	1
22	R345101	GUSSET-SILL-LH								1	1
23	AFU2875	CLIP-SEAT BELT	2540-99-721-4469							2	2
24	FS108251	SCREW	5305-99-122-5367							4	4
25	RU612373L	POP RIVET	5320-99-120-9002							2	2

GROUP SL/2



**FRONT SEAT BELTS
– STATION WAGONS ONLY**

PERENTIE LAND ROVER PARTS LIST

SL /2/1

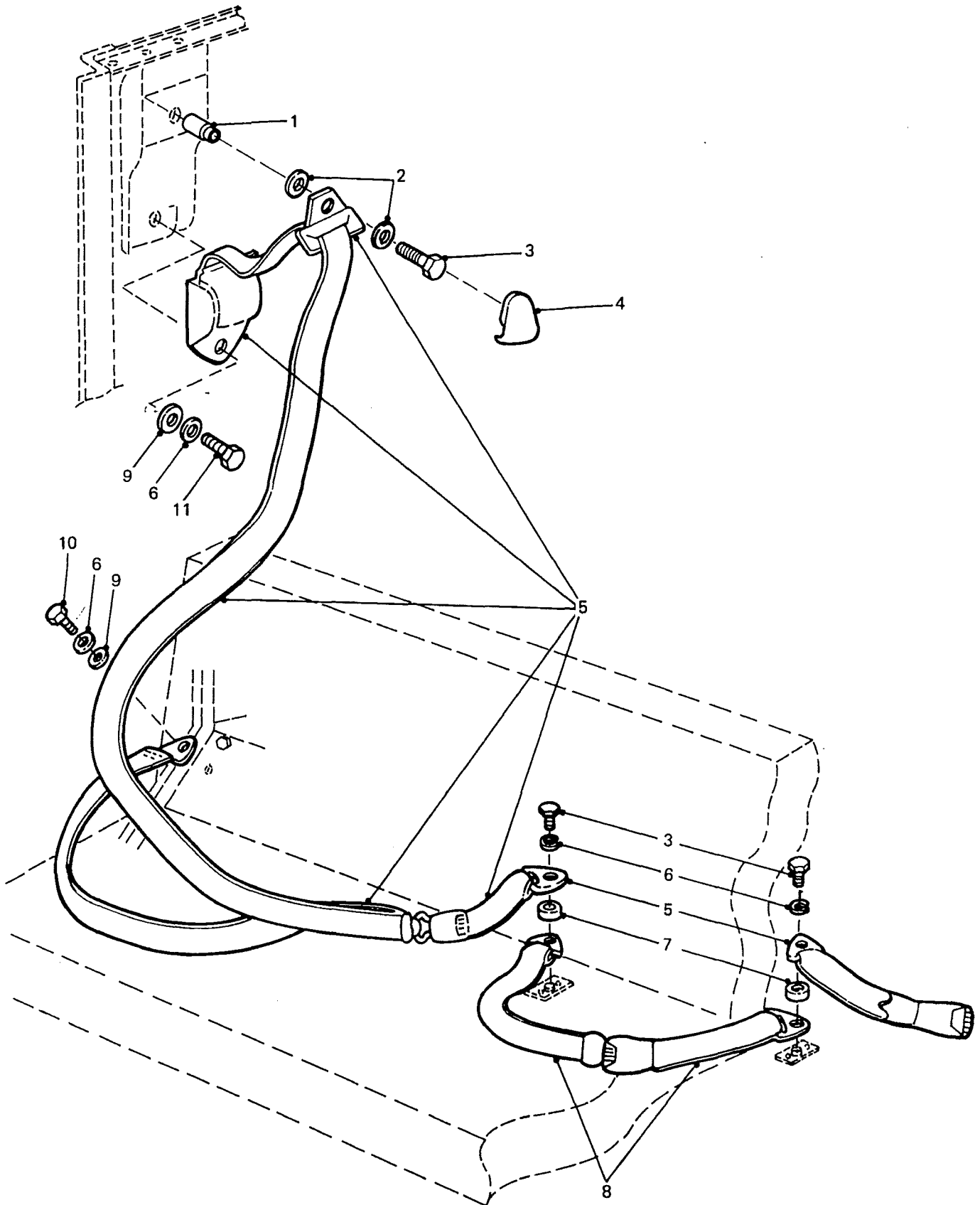
FRONT SEAT BELTS - STATION WAGONS ONLY

<u>ITEM</u>	<u>PART NO.</u>	<u>DESCRIPTION</u>	<u>NSN</u>	<u>DERIVATIVE CODE</u>								
				<u>2188</u>	<u>2189</u>	<u>2190</u>	<u>2191</u>	<u>2192</u>	<u>2194</u>	<u>2195</u>	<u>2207</u>	<u>CP</u>
26	R395249	BRACKET-SAFETY								2	2	
	HYG4731	KIT-FIXING-SEAT BELTS	2540-66-128-6115							1	1	

CHANGE POINT

ARN INTRODUCTION

GROUP SLA



**REAR TRANSVERSE SEAT BELTS
- STATION WAGON ONLY**

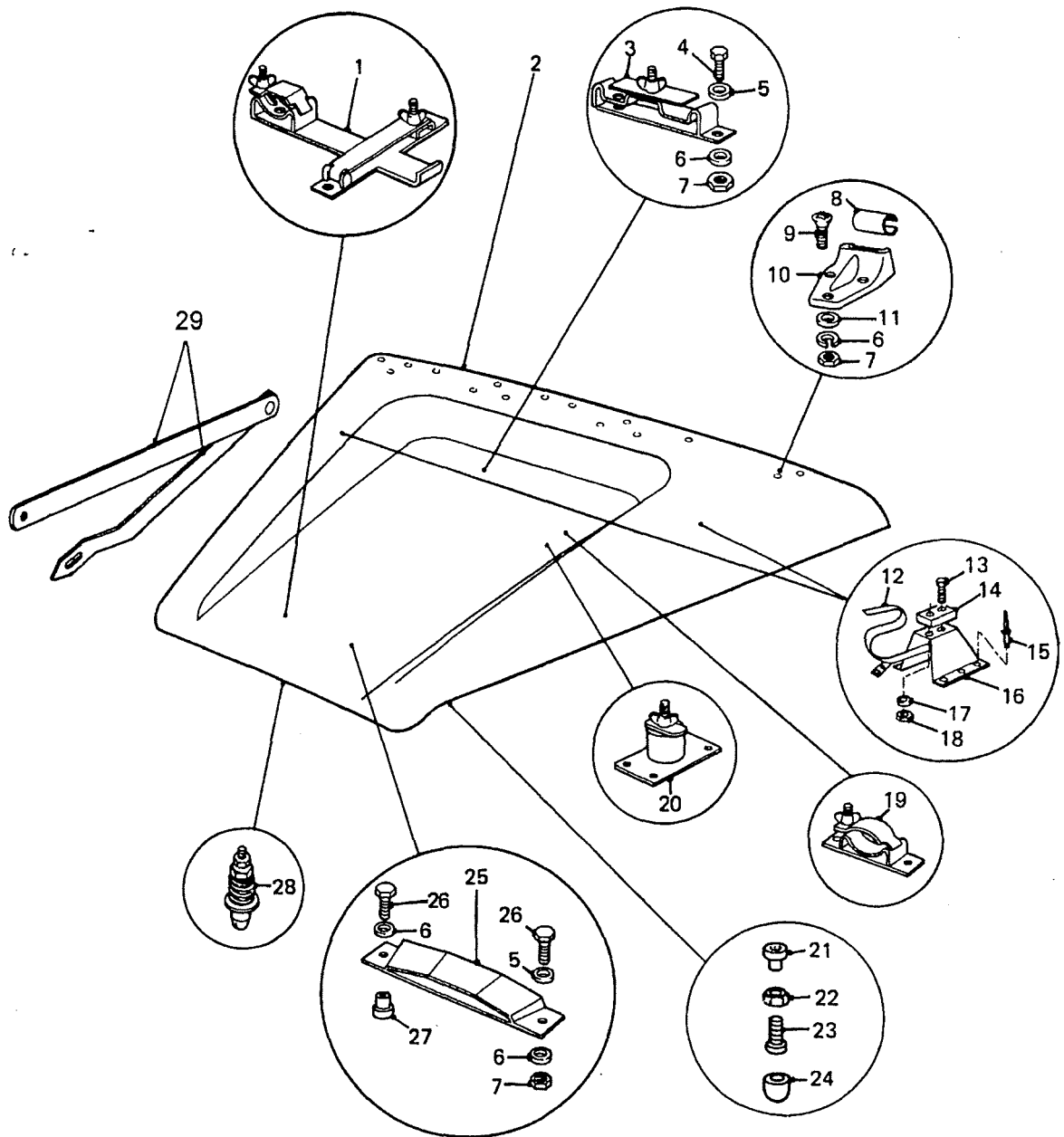
PERENTIE LAND ROVER PARTS LIST

ITEM	SLA/1/1 PART NO.	DESCRIPTION	NSN	DERIVATIVE CODE							CP
				2188	2189	2190	2191	2192	2194	2195	
1	NSS		5365-66-128-5374								
2	NSS		5310-66-128-5176								
3	NSS										
4	NSS		2540-66-128-5154								
5	HYG1955	SEAT BELT-OUTER	2540-66-128-5156						2	2	
6	NSS										
7	NSS										
8	HYG1306	SEAT BELT-CENTRE	2540-66-128-5157						1	1	
9	NSS										
10	HYL9317	BOLT							2	2	
11	NSS										
	HYG1968	KIT FIXING-SEAT BELTS	2540-66-128-5300						1	1	

CHANGE POINT

ARN INTRODUCTION

GROUP SM

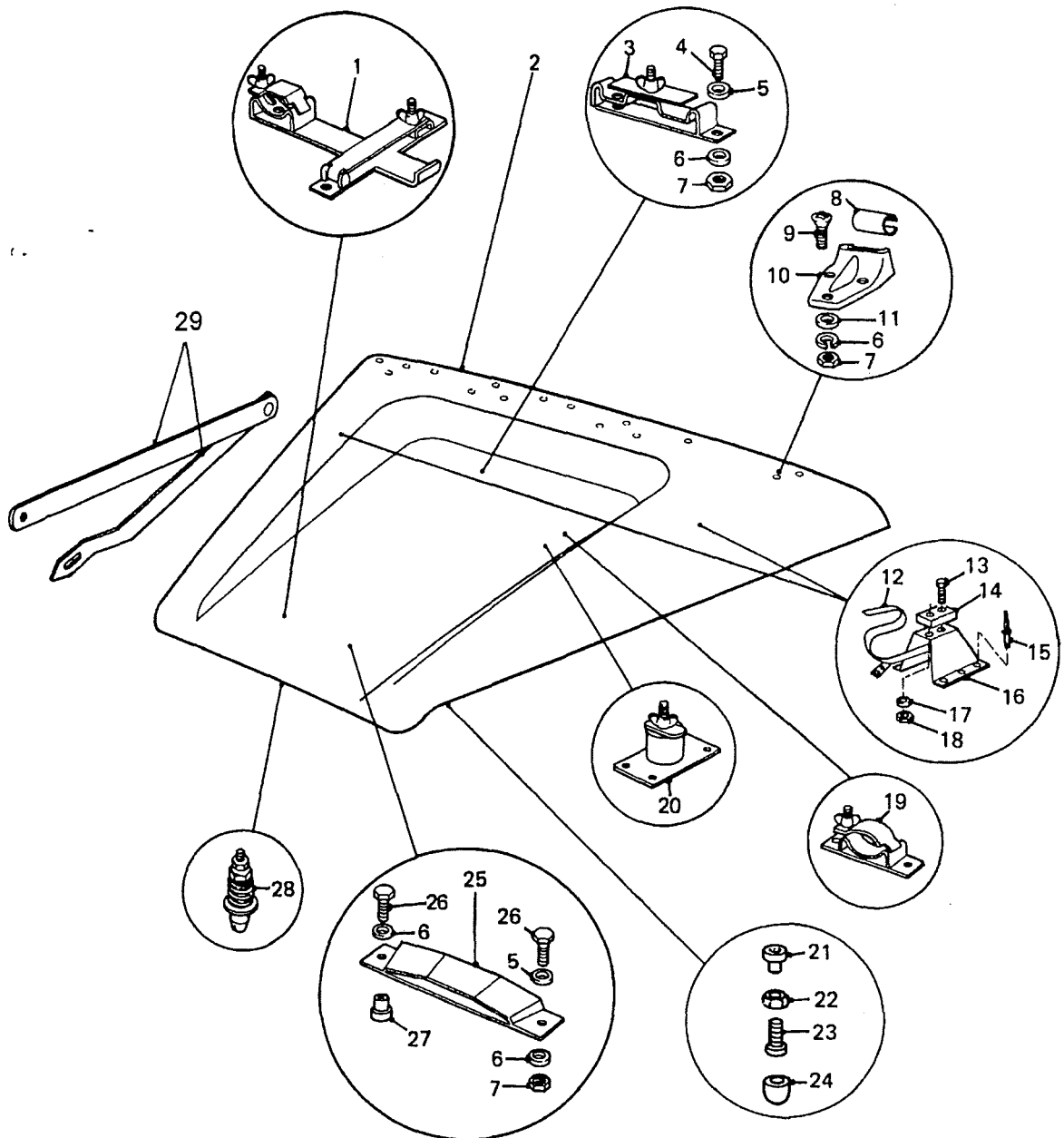


BONNET, PROP AND DE- DITCHING TOOL SUPPORTS

PERENTIE LAND ROVER PARTS LIST

ITEM	SM /1/1 PART NO.	BONNET, PROP AND DE-DITCHING TOOL SUPPORTS DESCRIPTION	NSN	DERIVATIVE CODE								CP
				2188	2189	2190	2191	2192	2194	2195	2207	
1	HYG498	CLAMP ASSY-PICK & AXLE HANDLE	2510-66-095-9851	1	1	1	1	1	1	1	1	1
2	HYG4894	BONNET ASSY	2540-66-128-4781	1	1	1	1					1
2	HYG4893	BONNET ASSY	2510-66-128-5160						1	1	1	
3	HYG497	SUPPORT ASSY-PICK & AXE HANDLE	2510-66-095-9850	1	1	1	1	1	1	1	1	1
4	FS106201	SCREW	5305-99-122-5361	13	13	13	13	13	13	13	13	13
5	WA106041L	WASHER-PLAIN	5310-66-098-4440	12	12	12	12	12	12	12	12	12
6	WL106001L	WASHER-LOCK	5310-99-137-9232	7	7	7	7	7	7	7	7	7
7	NH106041L	NUT	5310-66-098-4401	18	18	18	18	18	18	18	18	18
8	R346849	BUSH-HINGE	2540-99-824-3038	2	2	2	2	2	2	2	2	2
9	SF106201L	SCREW	5303-99-122-5291	6	6	6	6	6	6	6	6	6
10	MRC9244	HINGE-BONNET	2510-99-796-6161	2	2	2	2	2	2	2	2	2
11	WB106041L	WASHER-PLAIN	5310-99-122-3033	6	6	6	6	6	6	6	6	6
12	HYG2600	BELT ASSY-BONNET	5340-66-128-4923	2	2	2	2					2
13	SE105161L	SCREW	5305-99-135-0430	4	4	4	4					4
14	MRC5016	BUFFER	2510-99-796-6143	2	2	2	2					2
15	RA612373L	POP RIVET	5320-66-128-4635	12	12	12	12					12
16	HYG2599	BRACKET-BONNET	2540-66-128-4787	2	2	2	2					2
17	WJ105001L	WASHER-PLAIN	5310-66-128-4726	4	4	4	4					4
18	NY105041L	NUT-NYLOC	5310-66-128-4922	4	4	4	4					4
19	HYG494	BRACKET-SPADE HANDLE SUPPORT	2510-66-095-0887	1	1	1	1	1	1	1	1	1
20	HYG495	BRACKET-PICK CLAMP SUPPORT	2510-66-095-0888	1	1	1	1	1	1	1	1	1
21	NN108021	NUTSERT	5310-66-128-4925	4	4	4	4	4	4	4	4	4
22	NH108044	NUT	5310-66-128-4924	4	4	4	4	4	4	4	4	4
23	SE108404L	SCREW	5305-66-128-4926	4	4	4	4	4	4	4	4	4
24	R391287A	RUBBER BUFFER	5340-99-825-6031	4	4	4	4	4	4	4	4	4
25	HYG2919	BRACKET-SPADE SUPPORT	2510-66-128-5063	1	1	1	1	1	1	1	1	1

GROUP SM



BONNET, PROP AND DE- DITCHING TOOL SUPPORTS

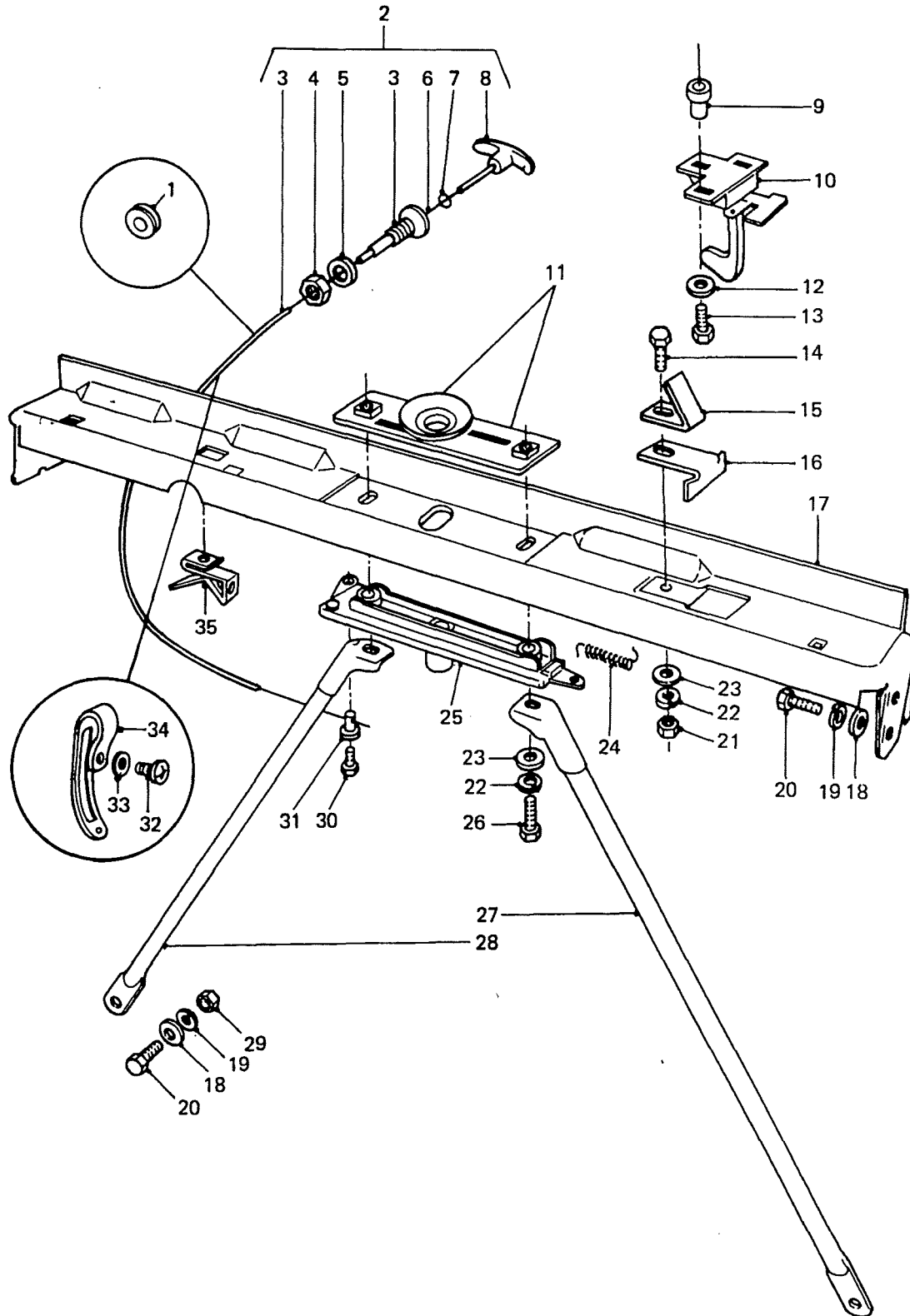
PERENTIE LAND ROVER PARTS LIST

<u>ITEM</u>	<u>PART NO.</u>	<u>DESCRIPTION</u>	<u>NSN</u>	<u>DERIVATIVE CODE</u>								<u>CP</u>
				<u>2188</u>	<u>2189</u>	<u>2190</u>	<u>2191</u>	<u>2192</u>	<u>2194</u>	<u>2195</u>	<u>2207</u>	
SM /1/1 BONNET, PROP AND DE-DITCHING TOOL SUPPORTS												
26	SH106251L	SCREW	5305-99-122-5362	2	2	2	2	2	2	2	2	
27	NN106021	NUTSERT	5310-99-138-4838	1	1	1	1	1	1	1	1	
28	MWC9361	STRIKER PIN-BONNET	2540-66-128-5450	1	1	1	1	1	1	1	1	
29	MUC4208	BONNET PROP	2540-99-740-0795	1	1	1	1	1	1	1	1	
	HYL9997	SEAL-BONNET-SIDE	5330-66-128-4649	2	2	2	2	2	2	2	2	
	R336535	PIVOT PIN-BONNET PROP		1	1	1	1	1	1	1	1	
	R336536	CLIP-BONNET CLIP		1	1	1	1	1	1	1	1	
	WS108001L	WASHER-LOCK-PROP TO MTG. BRKT.	5310-99-135-9374	1	1	1	1	1	1	1	1	
	PS104127	SPLIT PIN	5315-99-138-2203	1	1	1	1	1	1	1	1	
	AFU1105	WASHER-PLAIN		3	3	3	3	3	3	3	3	

CHANGE POINT

ARN INTRODUCTION

GROUP SMA/1

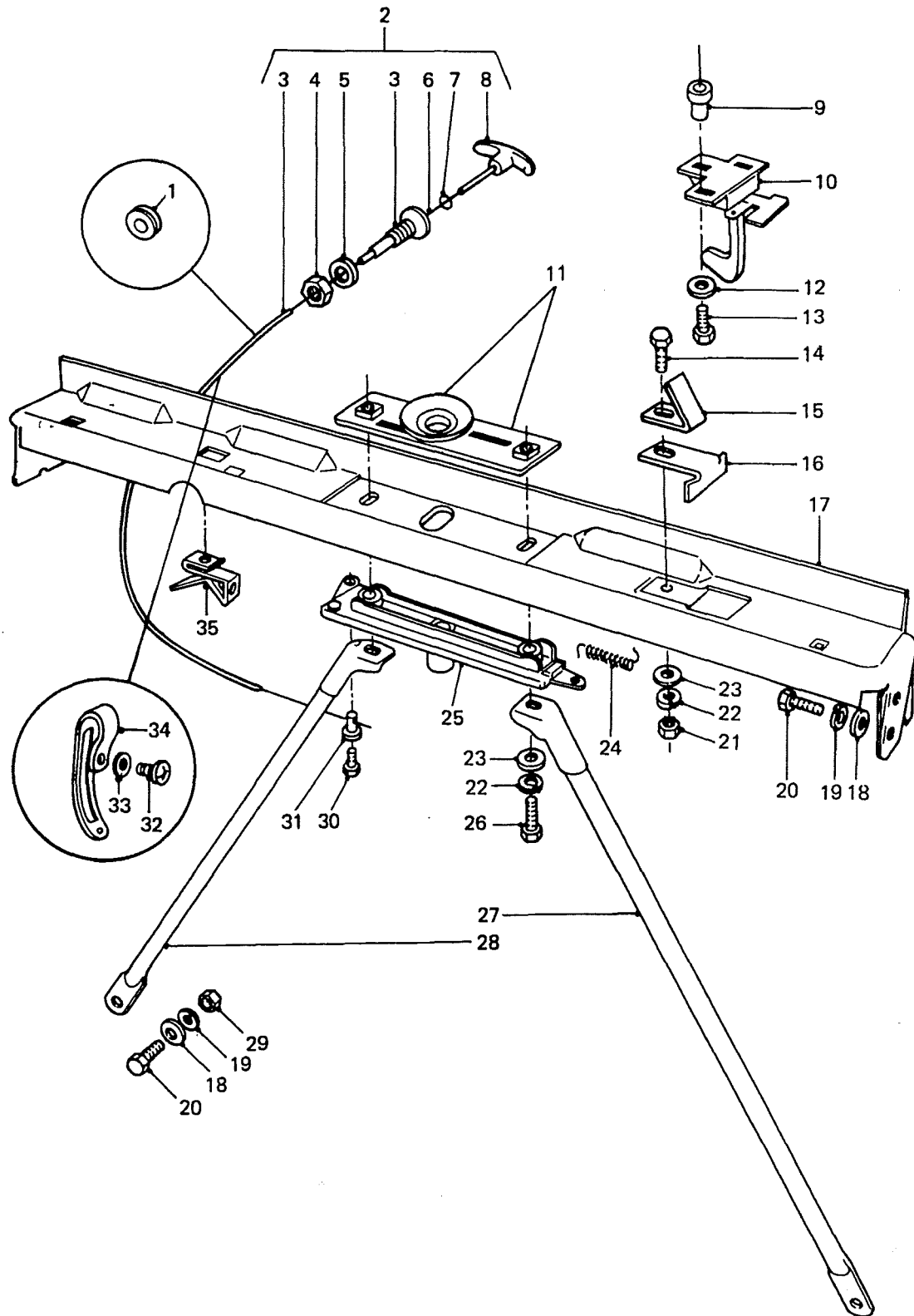


**GRILLE TOP PANEL, BRACE AND BONNET
RELEASE MECHANISM – CABLE TYPE**

PERENTIE LAND ROVER PARTS LIST

ITEM	PART NO.	DESCRIPTION	NSN	DERIVATIVE CODE								CP
				2188	2189	2190	2191	2192	2194	2195	2207	
1	R235113	GROMMET	5325-99-804-8115	2	2	2	2	2	2	2	2	
2	MXC7354	CABLE-BONNET	2540-99-741-6000	1	1	1	1	1	1	1	1	
3	NSS											
4	NSS											
5	NSS											
6	NSS											
7	NSS											
8	NSS											
9	NN106021	NUTSERT	5310-99-138-4838	3	3	3	3	3	3	3	3	
10	MUC6457	HOOK-BONNET	2540-66-128-4788	1	1	1	1	1	1	1	1	
11	MUC4804	PLATE-WASHER	2540-66-128-4790	1	1	1	1	1	1	1	1	
12	WF106001L	WASHER-LOCK	5310-66-128-4931	3	3	3	3	3	3	3	3	
13	SE106161L	SCREW	5305-99-135-0440	3	3	3	3	3	3	3	3	
14	FS106161	SCREW	5305-99-122-5360	1	1	1	1	1	1	1	1	
15	MWC3339	CATCH PLATE-BONNET	2540-66-128-5166	1	1	1	1	1	1	1	1	
16	R393218	PLATE-ADJUSTING	2540-66-128-4791	1	1	1	1	1	1	1	1	
17	MUC4806	PANEL TOP-GRILLE		1	1	1	1	1	1	1		
17	MXC7732	PANEL TOP-GRILLE		1	1	1	1					01
17	HYG3738	PANEL TOP-GRILLE										1
17	HYG5490	PANEL TOP-GRILLE										1 01
18	WA108051L	WASHER-PLAIN	5310-99-122-6475	8	8	8	8	8	8	8	8	
19	WL108001L	WASHER-LOCK	5310-99-137-9231	6	6	6	6	6	6	6	6	
20	FS108201	SCREW		6	6	6	6	6	6	6	6	
21	NH106041L	NUT	5310-66-098-4401	1	1	1	1	1	1	1	1	
22	WL106001L	WASHER-LOCK	5310-99-137-9232	3	3	3	3	3	3	3	3	
23	WA106041L	WASHER-PLAIN	5310-66-098-4440	4	4	4	4	4	4	4	4	
24	R351991	SPRING	5360-99-825-6033	1	1	1	1	1	1	1	1	

GROUP SMA/1



**GRILLE TOP PANEL, BRACE AND BONNET
RELEASE MECHANISM – CABLE TYPE**

PERENTIE LAND ROVER PARTS LIST

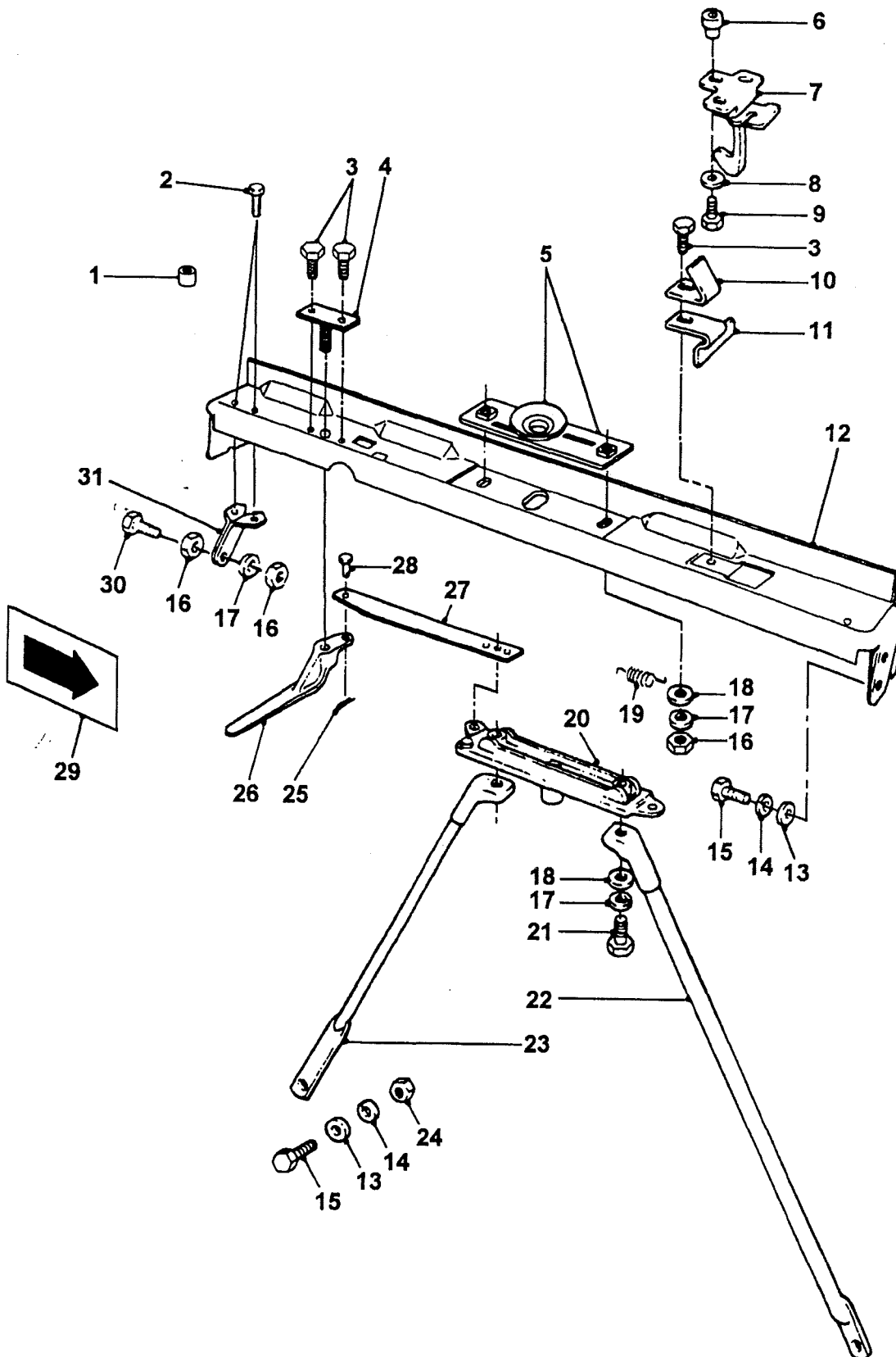
ITEM	PART NO.	DESCRIPTION	NSN	DERIVATIVE CODE								CP
				2188	2189	2190	2191	2192	2194	2195	2207	
25	ALR2385	CATCH-BONNET		1	1	1	1	1	1	1	1	1
26	SH106301L	SCREW	5305-99-122-5363	2	2	2	2	2	2	2	2	2
27	MUC6659	CROSSBRACE TUBE-LH	2510-66-128-4806	1	1	1	1	1	1	1	1	1
28	MUC6658	CROSSBRACE TUBE-RH	2510-66-128-4827	1	1	1	1	1	1	1	1	1
29	FN108041	NUT	5310-99-499-8033	2	2	2	2	2	2	2	2	2
30	R257194	BOLT	5305-99-138-0316	1	1	1	1	1	1	1	1	1
31	R356225	RETAINER	2590-99-825-6034	1	1	1	1	1	1	1	1	1
32	AR608021L	SCREW	5305-66-128-4933	1	1	1	1	1	1	1	1	1
33	WC105001L	WASHER PLAIN	5310-66-128-4624	1	1	1	1	1	1	1	1	1
34	MWC9380	CLIP-CABLE	5340-66-128-5372	1	1	1	1	1	1	1	1	1
35	13H489L	CLIP-CABLE TO CATCH	5340-99-827-2588	1	1	1	1	1	1	1	1	1

CHANGE POINT

ARN INTRODUCTION

- | | |
|---|------------------------------------|
| 1 | 50-175 SOFT TOP F.F.R. - JULY 1990 |
| 1 | 51-581 R.F.S.V. |

GROUP SMA/2

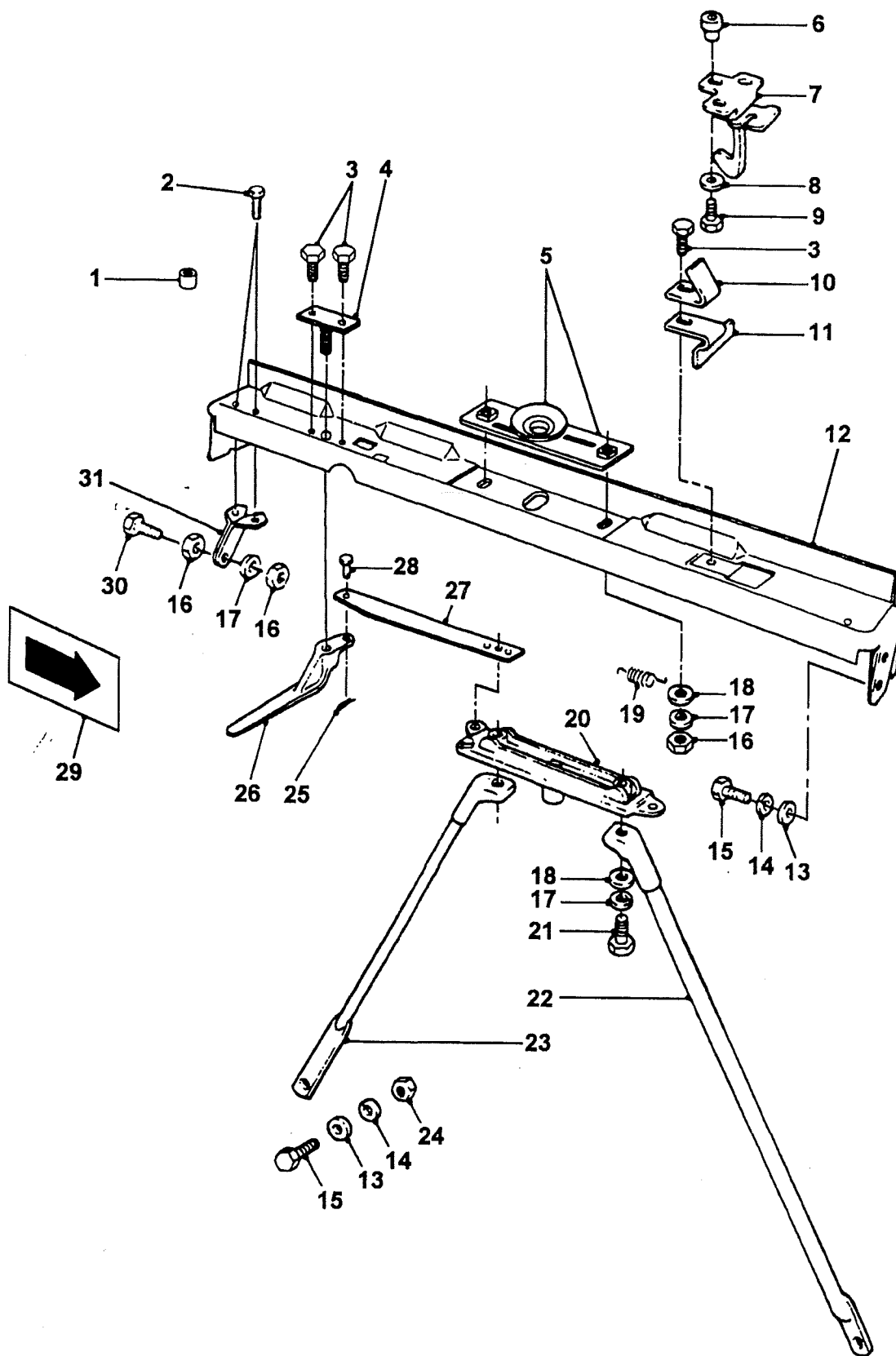


**GRILLE TOP PANEL, BRACE AND BONNET
RELEASE MECHANISM – EXTERNAL TYPE**

PERENTIE LAND ROVER PARTS LIST

ITEM	PART NO.	DESCRIPTION	NSN	DERIVATIVE CODE								CP		
				2188	2189	2190	2191	2192	2194	2195	2207			
1	HYG6336	SPACER-INSECT SCREEN FASTENER												2
	SF103251	SCREW-INSECT SCREEN FASTENER												2
	WA103001	WASHER-PLAIN												2
	NY103041	NUT-NYLOC												2
2	SH106251L	SCREW		2	2	2	2	2	2	2	2	2	2	
	WA106041L	WASHER-PLAIN-ANCHOR PLATE TO LOCK PANEL	5310-66-098-4440	2	2	2	2	2	2	2	2	2	2	
	NY106041L	NUT-NYLOC-ANCHOR PLATE TO LOCK PANEL	5310-99-138-8423	2	2	2	2	2	2	2	2	2	2	
3	FS106161	SCREW		3	3	3	3	3	3	3	3	3	3	
	WA106041L	WASHER-PLAIN-PIVOT PLATE TO LOCK PANEL	5310-66-098-4440	2	2	2	2	2	2	2	2	2	2	
	NY106041L	NUT-NYLOC-PIVOT PLATE TO LOCK PANEL	5310-99-138-8423	2	2	2	2	2	2	2	2	2	2	
4	HYG6007	PIVOT PLATE		1	1	1	1	1	1	1	1	1	1	
5	MUC4804	PLATE-WASHER		1	1	1	1	1	1	1	1	1	1	
6	NN106021	NUTSERT	5310-99-138-4838	3	3	3	3	3	3	3	3	3	3	
7	MUC6457	HOOK-BONNET	2540-66-128-4788	1	1	1	1	1	1	1	1	1	1	
8	WF106001L	WASHER-LOCK	5310-66-128-4931	3	3	3	3	3	3	3	3	3	3	
9	SE106161L	SCREW	5305-99-135-0440	3	3	3	3	3	3	3	3	3	3	
10	MWC3339	CATCH PLATE-BONNET	2540-66-128-5166	1	1	1	1	1	1	1	1	1	1	
11	R393218	PLATE-ADJUSTING	2540-66-128-4791	1	1	1	1	1	1	1	1	1	1	
12	MUC4806	PANEL-TOP-GRILLE		1	1	1	1	1	1	1	1	1		
12	MXC7732	PANEL-TOP-GRILLE		1	1	1	1							01
12	HYG3738	PANEL-TOP-GRILLE												1
12	HYG5490	PANEL-TOP-GRILLE												1 01

GROUP SMA/2



**GRILLE TOP PANEL, BRACE AND BONNET
RELEASE MECHANISM – EXTERNAL TYPE**

PERENTIE LAND ROVER PARTS LIST

ITEM	PART NO.	DESCRIPTION	NSN	DERIVATIVE CODE								CP
				2188	2189	2190	2191	2192	2194	2195	2207	
13	WA108051L	WASHER-PLAIN	5310-99-122-6475	6	6	6	6	6	6	6	6	6
14	WL108001L	WASHER-LOCK	5310-99-137-9231	6	6	6	6	6	6	6	6	6
15	FS108201	SCREW		6	6	6	6	6	6	6	6	6
16	NH106041L	NUT	5310-66-098-4401	4	4	4	4	4	4	4	4	4
17	WL106001L	WASHER-LOCK	5310-99-137-9232	5	5	5	5	5	5	5	5	5
18	WA106041L	WASHER-PLAIN	5310-66-098-4440	4	4	4	4	4	4	4	4	4
19	R351991	SPRING	5360-99-825-6033	1	1	1	1	1	1	1	1	1
20	ALR2385	CATCH-BONNET		1	1	1	1	1	1	1	1	1
21	SH106301L	SCREW	5305-99-122-5363	2	2	2	2	2	2	2	2	2
22	MUC6659	CROSSBRACE TUBE-LH	2510-66-128-4806	1	1	1	1	1	1	1	1	1
23	MUC6658	CROSSBRACE TUBE-RH	2510-66-128-4827	1	1	1	1	1	1	1	1	1
24	FN108041	NUT	5310-99-499-8033	2	2	2	2	2	2	2	2	2
25	PS103101	SPLIT PIN		2	2	2	2	2	2	2	2	2
26	HYG6212	LEVER-RELEASE		1	1	1	1	1	1	1	1	1
27	HYG4933	LINK		1	1	1	1	1	1	1	1	1
28	PC105241	PIN-CLEVIS		2	2	2	2	2	2	2	2	2
29	MYH3604	DECAL		1	1	1	1	1	1	1	1	1
30	SH106601	SCREW-STOP		1	1	1	1	1	1	1	1	1
31	HYG6213	PLATE-ANCHOR		1	1	1	1	1	1	1	1	1

CHANGE POINT

ARN INTRODUCTION

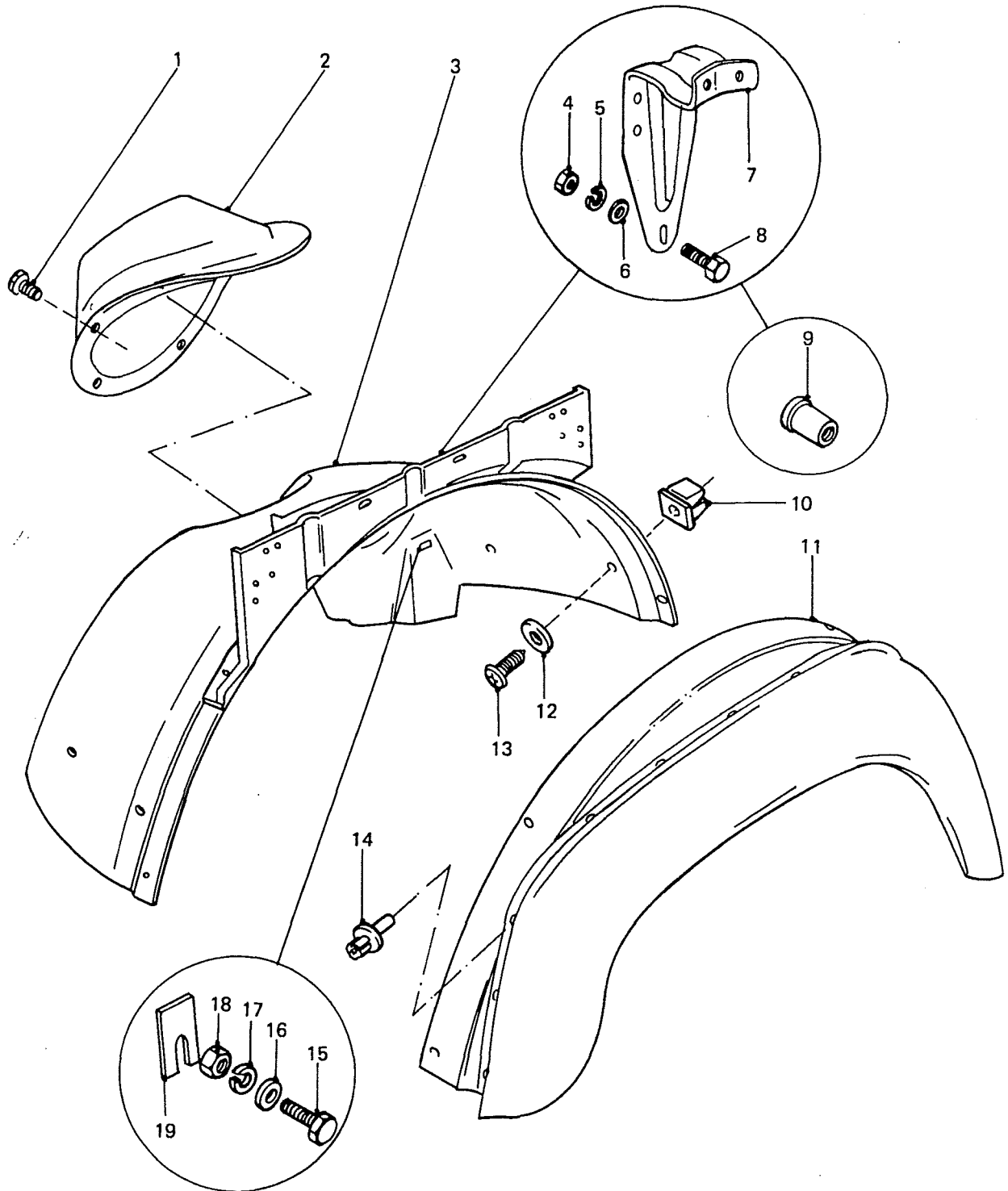
1

51-581 R.F.S.V.

1

50-175 SOFT TOP F.F.R. - JULY 1990

GROUP SMB



FRONT WHEEL ARCH PANELS AND TRIM

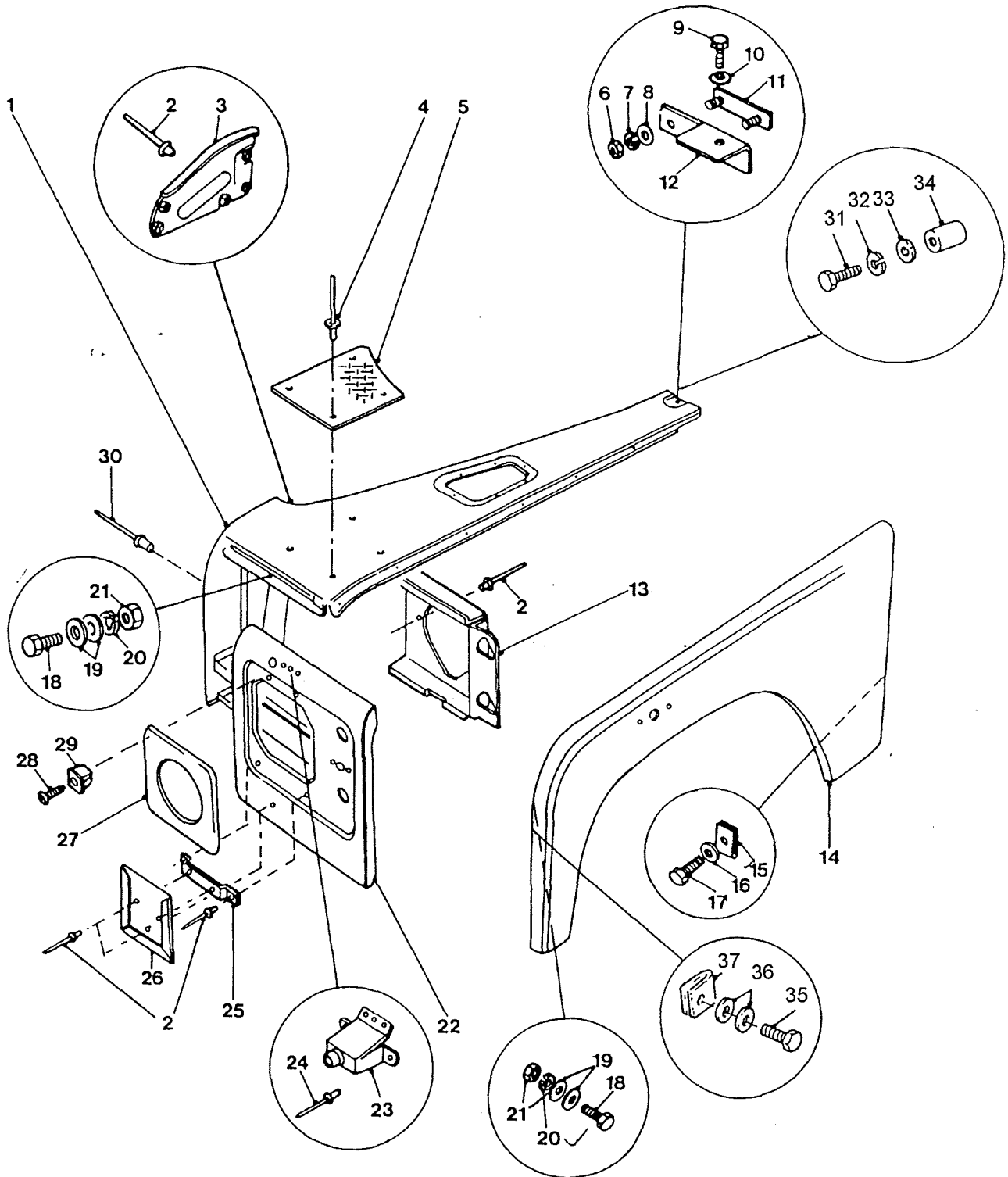
PERENTIE LAND ROVER PARTS LIST

ITEM	SMB/1/1 PART NO.	FRONT WHEEL ARCH PANELS AND TRIM DESCRIPTION	NSN	DERIVATIVE CODE								CP
				2188	2189	2190	2191	2192	2194	2195	2207	
1	AR608021L	SCREW	5305-66-128-4933	12	12	12	12	12	12	12	12	12
2	MRC9520	COVER-FRONT SUSPENSION	2590-99-780-7424	2	2	2	2	2	2	2	2	2
3	HYG5488	WHEEL ARCH-RH	2510-66-128-5048	1	1	1	1	1	1	1	1	1
3	HYG5500	WHEEL ARCH-LH	2510-66-128-4847	1	1	1	1	1	1	1	1	
3	HYG5489	WHEEL ARCH-LH	2510-66-128-6213									1
4	NH106041L	NUT	5310-66-098-4401	1	1	1	1	1	1	1	1	1
5	WL106001L	WASHER-LOCK	5310-99-137-9232	3	3	3	3	3	3	3	3	3
6	WA106041L	WASHER-PLAIN	5310-66-098-4440	3	3	3	3	3	3	3	3	3
7	HYG3438	STAY-WING SUPPORT-RH		1	1	1	1	1	1	1	1	1
7	MRC9735	STAY-WING SUPPORT-LH	2510-66-128-4850	1	1	1	1	1	1	1	1	1
8	FS106161	SCREW	5305-99-122-5360	3	3	3	3	3	3	3	3	3
9	AFU1280	BLIND ANCHOR NUT		2	2	2	2	2	2	2	2	2
10	CZK3164	NUT	5310-99-776-9666	8	8	8	8	8	8	8	8	8
11	MRC9378	MOULDING-RH	2510-99-721-4393	1	1	1	1	1	1	1	1	1
11	MRC9377	MOULDING-LH	2510-99-721-4392	1	1	1	1	1	1	1	1	1
12	AFU1069	WASHER-PLAIN	5310-66-128-4934	8	8	8	8	8	8	8	8	8
13	AB614061L	SCREW	5305-99-941-9038	8	8	8	8	8	8	8	8	8
14	AFU1075	PLASTIC RIVET	5320-99-740-0798	32	32	32	32	32	32	32	32	32
15	SH108501	SCREW	5305-99-136-3260	2	2	2	2	2	2	2	2	2
17	WM600051L	WASHER-LOCK	5310-66-016-5980	6	6	6	6	6	6	6	6	6
18	FN108041	NUT	5310-99-499-8033	6	6	6	6	6	6	6	6	6
19	MRC4037	SHIM	2510-99-796-6134	12	12	12	12	12	12	12	12	12
	FS108251	SCREW-WHEEL ARCH TO CHASSIS	5305-99-122-5367	4	4	4	4	4	4	4	4	4
	WC108051L	WASHER-PLAIN-WHEEL ARCH TO CHASSIS		4	4	4	4	4	4	4	4	4

CHANGE POINT

ARN INTRODUCTION

GROUP SMC

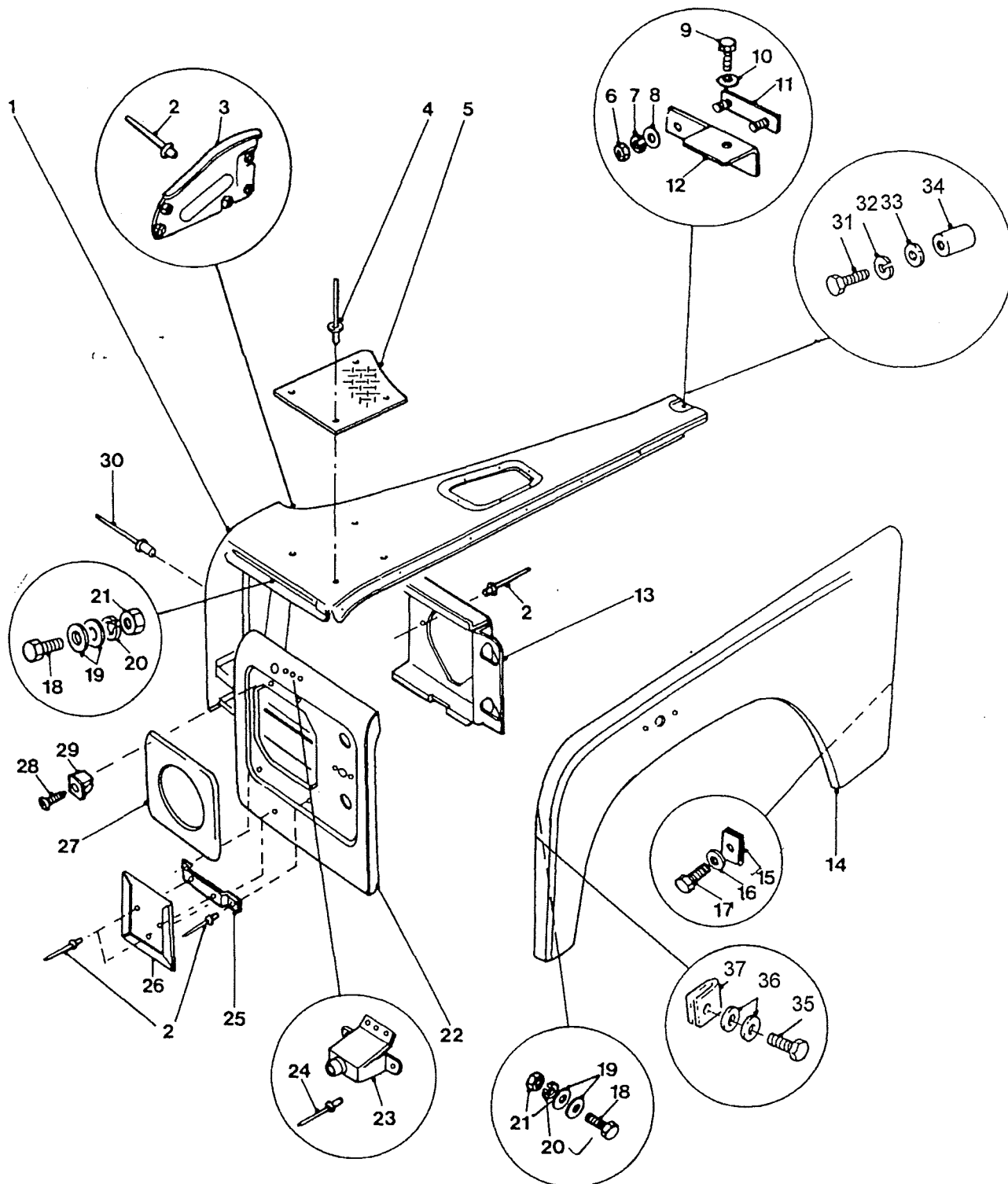


FRONT TOP FENDER, MUDGUARD AND WING PANELS

PERENTIE LAND ROVER PARTS LIST

ITEM	PART NO.	DESCRIPTION	NSN	DERIVATIVE CODE								CP	
				2188	2189	2190	2191	2192	2194	2195	2207		
1	HYG5802	FRONT WING ASSY-RH		1	1	1	1	1	1	1	1	1	
1	HYG5803	FRONT WING ASSY-LH		1	1	1	1	1	1	1	1		
1	HYG5965	FRONT WING ASSY-LH											1
2	R78248	POP RIVET	5320-99-970-3518	34	34	34	34	34	34	34	34	34	34
3	MRC6051	TIE PLATE-RH	2510-66-128-4869	1	1	1	1	1	1	1	1	1	1
3	MRC6052	TIE PLATE-LH	2510-66-128-4868	1	1	1	1	1	1	1	1	1	1
4	RJ612253	POP RIVET		14	14	14	14	14	14	14	14	14	14
5	HYG3494	REINFORCEMENT-RH		1	1	1	1	1	1	1	1	1	1
5	HYG3495	REINFORCEMENT-LH		1	1	1	1	1	1	1	1	1	1
6	NH106041L	NUT	5310-66-098-4401	4	4	4	4	4	4	4	4	4	01
7	WL106001L	WASHER-LOCK	5310-99-137-9232	4	4	4	4	4	4	4	4	4	01
8	RTC609	WASHER-PLAIN	5310-99-120-4032	4	4	4	4	4	4	4	4	4	01
9	SH106167L	SCREW		2	2	2	2	2	2	2	2	2	01
10	AAU9036	WASHER-PLAIN	5310-66-128-4935	2	2	2	2	2	2	2	2	2	01
11	MTC2704	STUD PLATE	2510-66-128-4870	2	2	2	2	2	2	2	2	2	01
12	MTC2136	BRACKET-SUPPORT-RH	2510-66-128-4873	1	1	1	1	1	1	1	1	1	01
12	MRC8926	BRACKET-SUPPORT-LH	2510-66-128-4871	1	1	1	1	1	1	1	1	1	01
13	MTC2062	PANEL-MOUNTING-RH	6220-66-128-4878	1	1	1	1	1	1	1	1	1	1
13	MTC2063	PANEL-MOUNTING-LH	6220-99-978-2258	1	1	1	1	1	1	1	1	1	1
14	RTC6351	PANEL-OUTER-RH	2510-66-128-5050	1	1	1	1	1	1	1	1		
14	HYG4530	PANEL-OUTER-RH											1
14	RTC6350	PANEL-OUTER-LH	2510-66-128-5049	1	1	1	1	1	1	1	1	1	

GROUP SMC

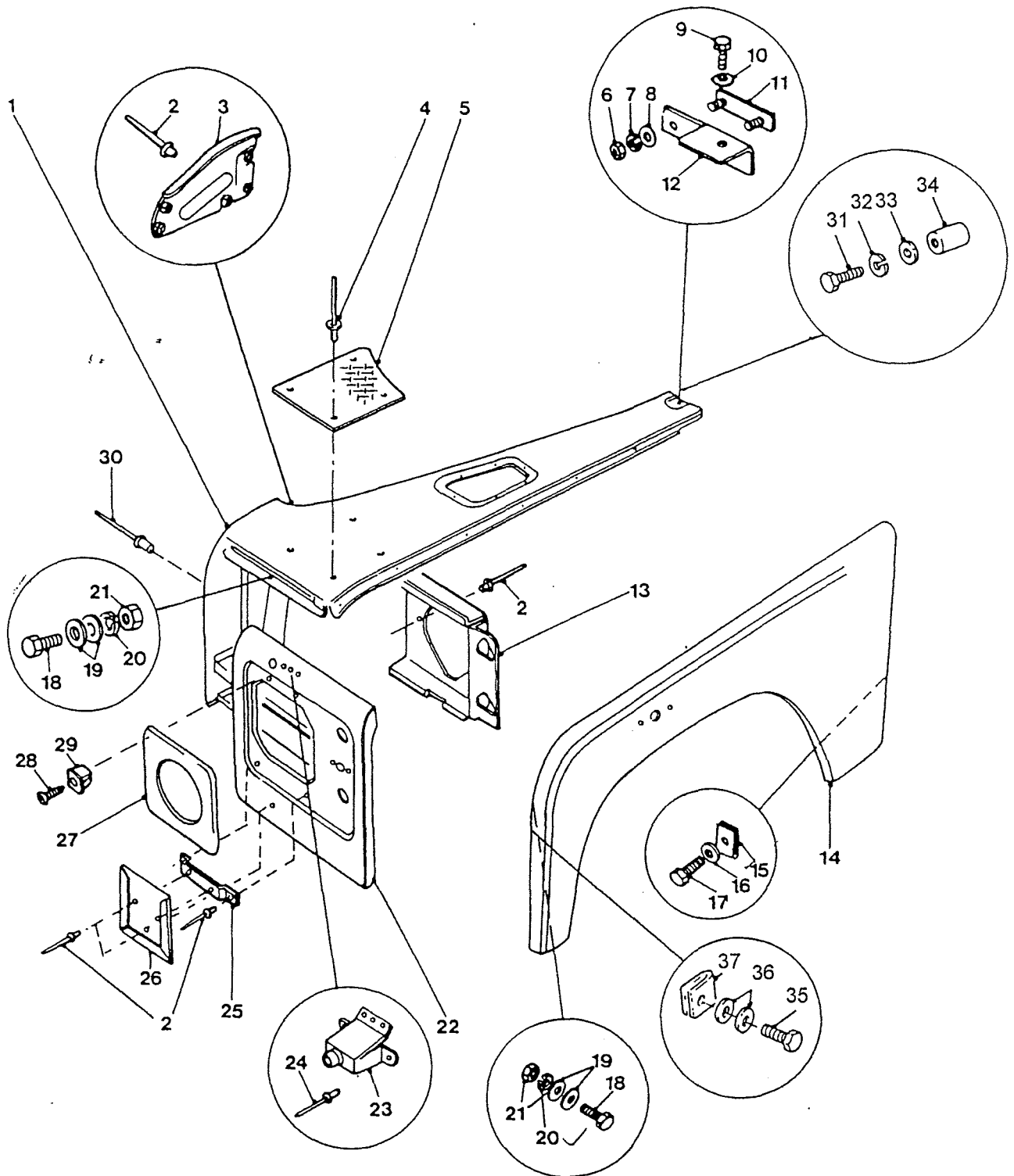


FRONT TOP FENDER, MUDGUARD AND WING PANELS

PERENTIE LAND ROVER PARTS LIST

ITEM	SMC/1/1 PART NO.	FRONT TOP FENDER, MUDGUARD AND WING PANELS DESCRIPTION	NSN	DERIVATIVE CODE								CP	
				2188	2189	2190	2191	2192	2194	2195	2207		
14	HYG4531	PANEL-OUTER-LH											1
15	AK616011	NUT-SPIRE	5310-99-844-9563	8	8	8	8	8	8	8	8	8	8
16	WC108051L	WASHER-PLAIN		8	8	8	8	8	8	8	8	8	8
17	AM605061	BOLT	5305-99-137-4325	8	8	8	8	8	8	8	8	8	8
18	FS106161	SCREW	5305-99-122-5360	22	22	22	22	22	22	22	22	22	22
19	AFU1080	WASHER-PLAIN	5310-99-740-0784	44	44	44	44	44	44	44	44	44	44
20	WL106001L	WASHER-LOCK	5310-99-137-9232	22	22	22	22	22	22	22	22	22	22
21	NH106041L	NUT	5310-66-098-4401	22	22	22	22	22	22	22	22	22	22
22	RTC6214	NOSE PANEL-RH	2510-99-721-4386	1	1	1	1	1	1	1	1	1	1
22	RTC6354	NOSE PANEL-LH	2510-99-721-4387	1	1	1	1	1	1	1	1	1	1
23	HYG2582	BRACKET-REDUCED HEADLAMP	2510-66-128-4895	2	2	2	2	2	2	2	2	2	2
24	RA612253L	POP RIVET	5320-66-128-5117	10	10	10	10	10	10	10	10	10	10
25	HYG2728	BRACKET-SIGN	2540-66-128-4897	2	2	2	2	2	2	2	2	2	2
26	HYP2674	HOLDER-UNIT SIGN	2590-66-016-0815	2	2	2	2	2	2				
27	R345631	LAMP SURROUND	2510-99-811-9099	2	2	2	2	2	2	2	2	2	2
	MYH3346	WASHER-NEOPRENE		8	8	8	8	8	8	8	8	8	8
28	AB608047	SCREW		8	8	8	8	8	8	8	8	8	8
29	R79051	NUT-LOKUT	5310-99-138-0422	8	8	8	8	8	8	8	8	8	8
30	RU612373L	POP RIVET	5320-99-120-9002	8	8	8	8	8	8	8	8	8	8
31	FS106201	SCREW-WING TOP-PANEL TO DASH	5305-99-122-5361	2	2	2	2	2	2	2	2	2	2
32	WL106001L	WASHER-LOCK	5310-99-137-9232	2	2	2	2	2	2	2	2	2	2
33	WA106041L	WASHER-PLAIN	5310-66-098-4440	2	2	2	2	2	2	2	2	2	2
34	NN106021	NUTSERT	5310-99-128-4838	2	2	2	2	2	2	2	2	2	2
35	MXC2932	ACME BOLT		22	22	22	22						22 02
36	R39001	WASHER-PLAIN		22	22	22	22						22 02
37	AH614011L	NUT-SPIRE	5310-66-128-6353	2	2	2	2						2 02

GROUP SMC



FRONT TOP FENDER, MUDGUARD AND WING PANELS

PERENTIE LAND ROVER PARTS LIST

SMC/1/1 FRONT TOP FENDER, MUDGUARD AND WING PANELS

<u>ITEM</u>	<u>PART NO.</u>	<u>DESCRIPTION</u>	<u>NSN</u>	<u>DERIVATIVE CODE</u>									
				<u>2188</u>	<u>2189</u>	<u>2190</u>	<u>2191</u>	<u>2192</u>	<u>2194</u>	<u>2195</u>	<u>2207</u>	<u>CP</u>	
37	R79246	NUT-SPIRE	5310-99-822-1324	20	20	20	20					20	02

CHANGE POINT

ARN INTRODUCTION

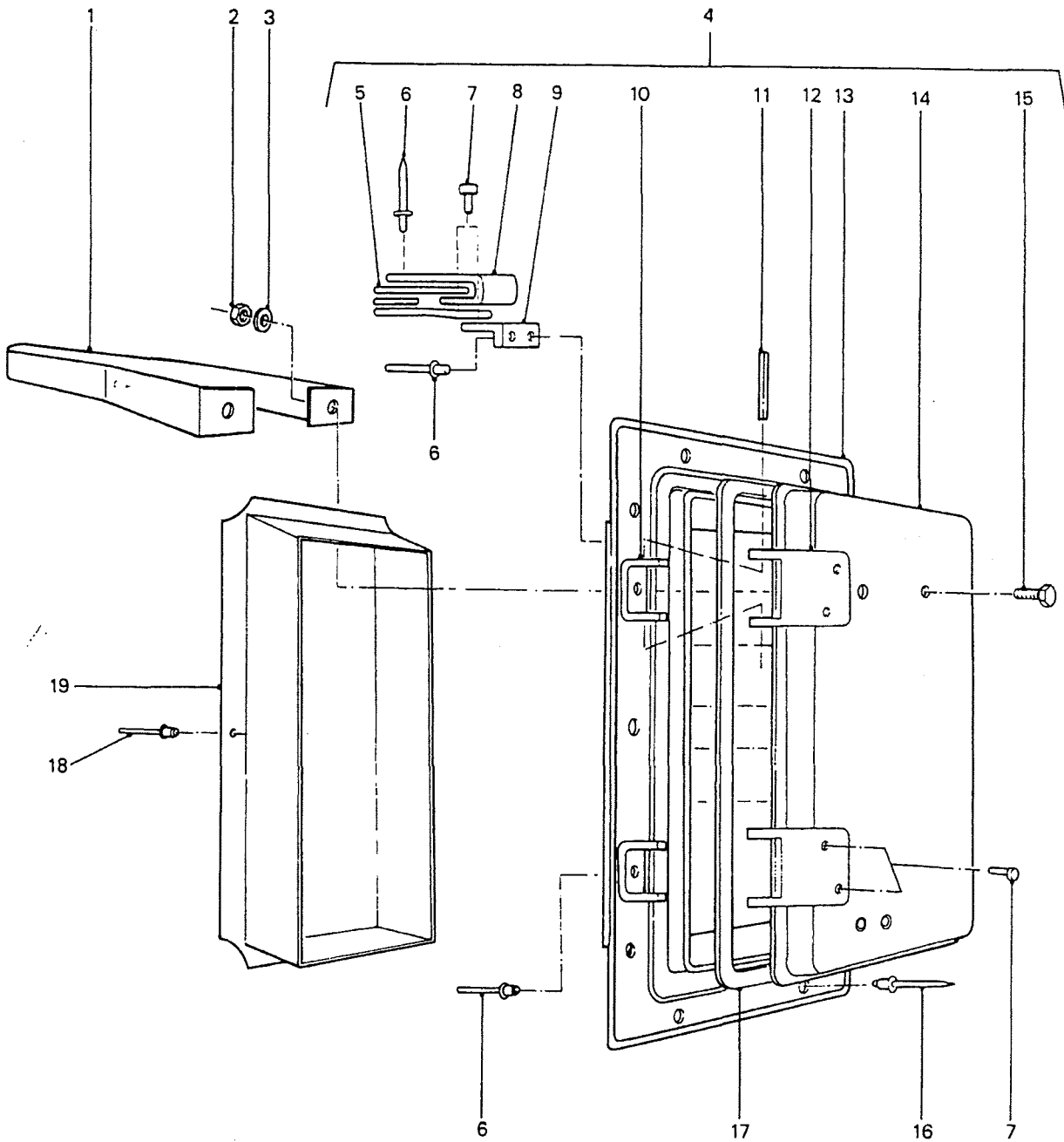
1

UP TO INTRODUCTION OF ITEMS 31-34

2

INTRODUCED FROM AUGUST 1989 PRODUCTION

GROUP SMD



**FOOTWELL VENT
- RFSV ONLY**

PERENTIE LAND ROVER PARTS LIST

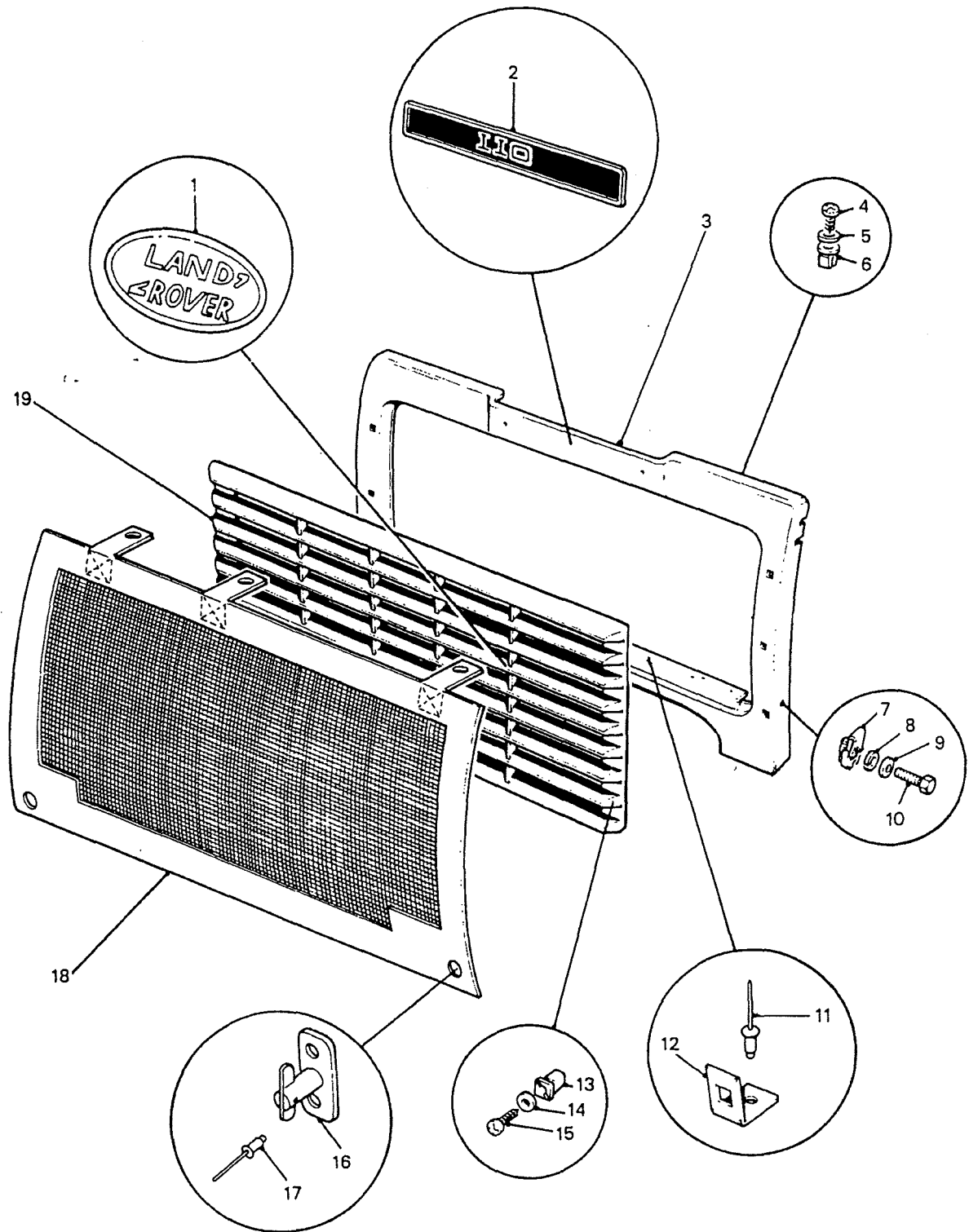
SMD/1/1 FOOTWELL VENT - RFSV ONLY

ITEM	PART NO.	DESCRIPTION	NSN	DERIVATIVE CODE							CP
				2188	2189	2190	2191	2192	2194	2195	
1	HYG4500	LEVER-CONTROL									2
2	NY106041L	NUT-NYLOC	5310-99-138-8423								4
3	WA106041L	WASHER-PLAIN	5310-66-098-4440								6
4	HYG4526	VENT COVER ASSY-RH									1
4	HYG4527	VENT COVER ASSY-LH									1
5	NSS										
6	NSS										
7	NSS										
8	NSS										
9	NSS										
10	NSS										
11	NSS										
12	NSS										
13	NSS										
14	NSS										
15	FS106161	SCREW	5305-99-122-5360								4
16	RJ612253	POP RIVET									18
17	MYH5355/615	SEAL-COVER									2
18	RA612253L	POP RIVET	5320-66-128-5117								8
19	HYG2437	AIR DUCT-FOOTWELL									2

CHANGE POINT

ARN INTRODUCTION

GROUP SN



RADIATOR GRILLE AND SCREEN

PERENTIE LAND ROVER PARTS LIST

ITEM	SN /1/1 PART NO.	RADIATOR GRILLE AND SCREEN DESCRIPTION	NSN	DERIVATIVE CODE									
				2188	2189	2190	2191	2192	2194	2195	2207	CP	
1	MXC6402	BADGE-GRILLE	2540-66-128-6100	1	1	1	1					1	01
2	MUC2003	DECAL-FRONT- "LANDROVER 110"	2540-66-128-5032	1	1	1	1	1	1	1			
2	MXC6397	DECAL-FRONT-"110"	2540-66-128-6101	1	1	1	1					1	01
3	MWC2926	GRILLE PANEL	2510-66-128-5162	1		1						1	
3	HYG1668	GRILLE PANEL- WINCH MOUNT	2510-66-128-5233		1		1	1	1				1
4	AB606057	SCREW	5305-99-977-2586	4	4	4	4	4	4	4	4	4	4
5	WC105007	WASHER-PLAIN	5310-99-624-2854	4	4	4	4	4	4	4	4	4	4
6	RTC3475	LOKUT NUT	5310-99-137-6356	4	4	4	4	4	4	4	4	4	4
7	NJ108061L	NUT-RETAINER	5310-99-741-7927	2	2	2	2	2	2	2	2	2	2
8	WL108001L	WASHER-LOCK	5310-99-137-9231	2	2	2	2	2	2	2	2	2	2
9	WA108051L	WASHER-PLAIN	5310-99-122-6475	2	2	2	2	2	2	2	2	2	2
10	FS108201	SCREW		2	2	2	2	2	2	2	2	2	2
11	R78248	POP RIVET	5320-99-970-3518	2	2	2	2	2	2	2	2	2	2
12	MTC6827	MOUNTING BRACKET	2510-66-128-4902	2	2	2	2	2	2	2	2	2	2
13	CZK3164	NUT	5310-99-776-9666	8	8	8	8	8	8	8	8	8	8
14	WA106045	WASHER-PLAIN	5310-66-128-4939	8	8	8	8	8	8	8	8	8	8
15	AB614068	SCREW	5305-66-128-5169	8	8	8	8	8	8	8	8	8	8
16	MYH3392	FASTENER	5315-66-128-6235	2	2	2	2	2	2	2	2	2	2
16	MYH92	FASTENER		3	3	3	3	3	3	3	3	3	3
17	RJ608183	POP RIVET	5320-66-128-6212	10	10	10	10	10	10	10	10	10	10
18	HYG6333	SCREEN-INSECT		1	1	1	1	1	1	1	1		
18	HYG3736	SCREEN-INSECT-RFSV ONLY	2540-66-128-6211										1
19	ALR8765PUC	GRILLE-RADIATOR	2510-99-721-3622	1	1	1	1	1	1	1	1	1	1

CHANGE POINT

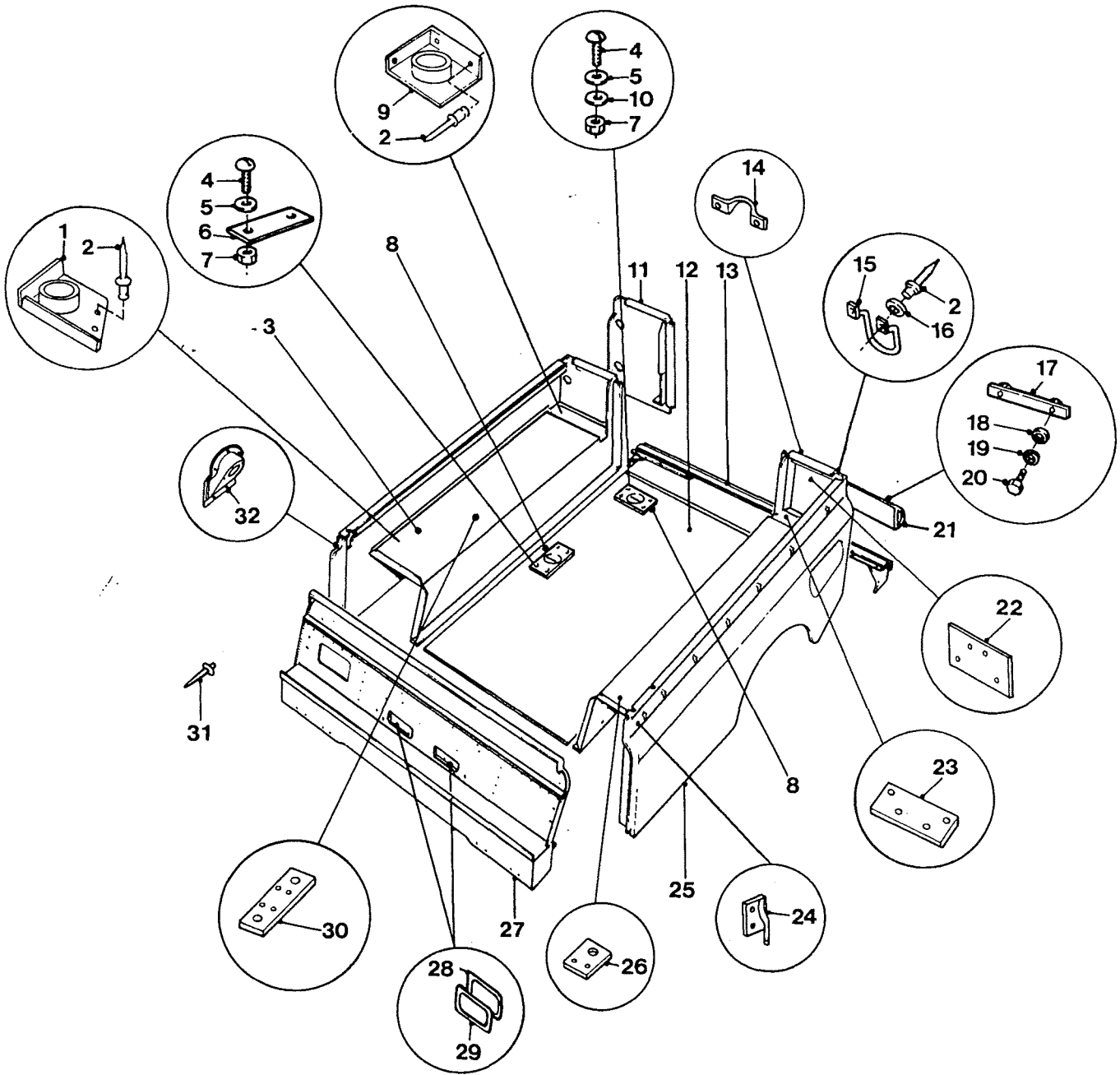
1

ARN INTRODUCTION

50-015 SOFT TOP CARGO

Dec 1999

GROUP SQ/1

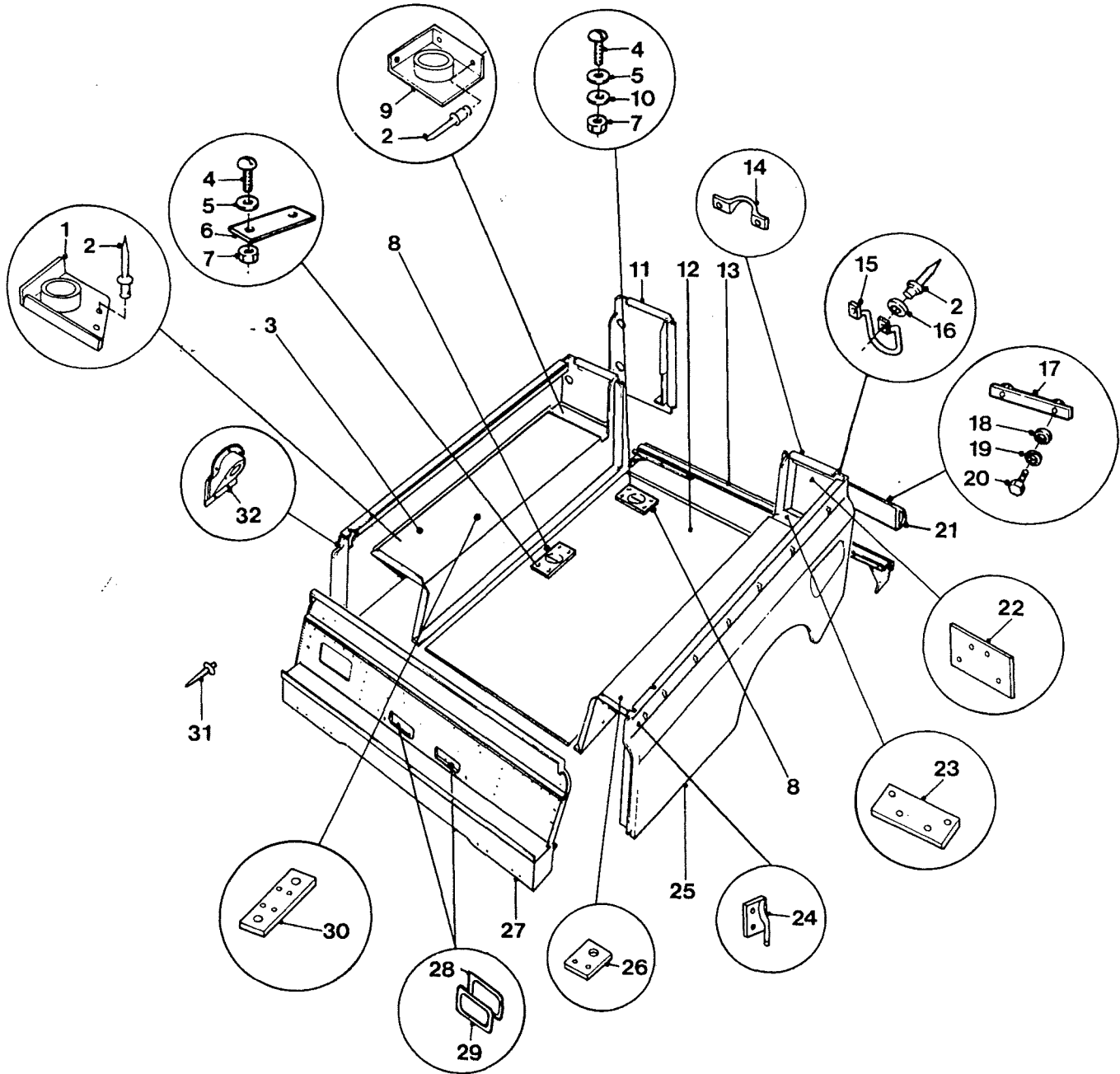


**REAR BODY LOWER – PANELS
SOFT TOP CARGO – NOT FFR**

PERENTIE LAND ROVER PARTS LIST

ITEM	PART NO.	DESCRIPTION	NSN	DERIVATIVE CODE							CP	
				2188	2189	2190	2191	2192	2194	2195		2207
1	HYG5878	LOCATOR-RH FRONT GUIDE TUBE		1	1							
1	HYG5879	LOCATOR-LH FRONT GUIDE TUBE		1	1							
1	AYG5794	LOCATER-RH FRONT GUIDE TUBE		1	1							01
1	AYG5795	LOCATER-LH FRONT GUIDE TUBE		1	1							01
2	AFU1298	MONOBOLT	5320-66-128-5186	44	44							
3	HYG2876	SIDE ASSY-RH		1	1							
4	SP106201	SCREW		24	24							
5	WA106041L	WASHER-PLAIN	5310-66-098-4440	48	48							
6	MYH3547	SPACER RING		4	4							
7	NY106041L	NUT-NYLOC	5310-99-138-8423	24	24							
8	HYG3861	RING-TIE DOWN		6	6							
9	AYG5800	LOCATOR-RH REAR		1	1							01
9	AYG5801	LOCATOR-LH REAR		1	1							01
9	HYG3604	LOCATOR-RH REAR		1	1							02
9	HYG3605	LOCATOR-LH REAR		1	1							02
10	WJ106001L	WASHER-PLAIN	5310-66-128-4699	4	4							
11	RRC4836	PANEL-REAR-RH		1	1							
11	RRC4837	PANEL-REAR-LH		1	1							
12	HYG6115	FLOOR PLATE ASSY		1	1							
13	R330271	ANGLE-MOUNTING-REAR		1	1							
14	R395143	STAPLE	2540-99-824-6204	2	2							

GROUP SQ/1

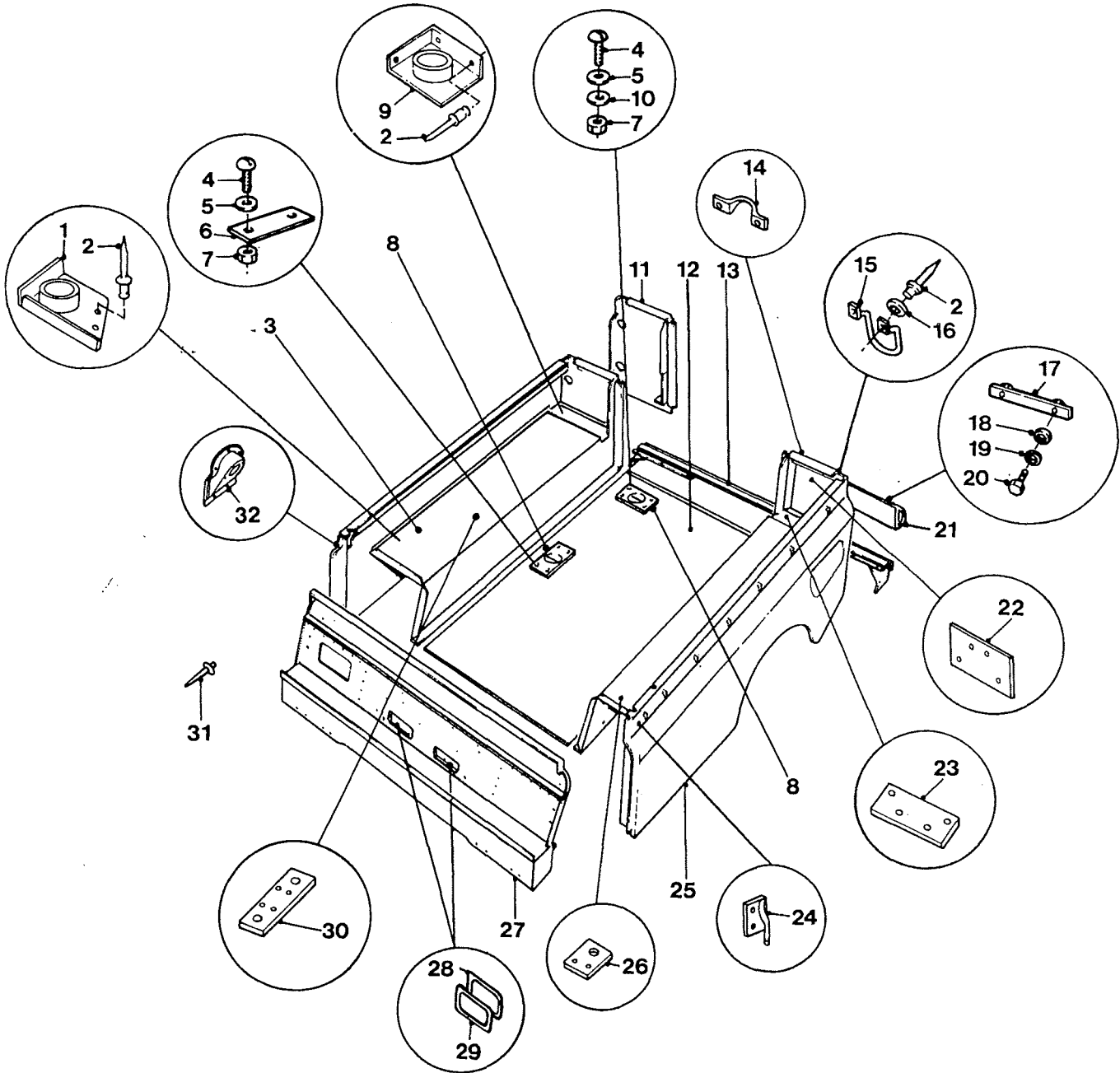


**REAR BODY LOWER – PANELS
SOFT TOP CARGO – NOT FFR**

PERENTIE LAND ROVER PARTS LIST

ITEM	SQ /1/1 PART NO.	REAR BODY LOWER - PANELS - SOFT TOP CARGO - NOT FFR DESCRIPTION	NSN	DERIVATIVE CODE							CP	
				2188	2189	2190	2191	2192	2194	2195		2207
	SE105161L	SCREW	5305-99-135-0430	4	4							
	WC105001L	WASHER PLAIN		4	4							
	WL105001L	WASHER-LOCK	5310-99-977-1102	4	4							
	NH105041L	NUT	5310-66-098-4400	4	4							
15	R345699	HOOK-ROPE	2510-99-820-7552	8	8							
16	AFU1256	WASHER-PLAIN	5310-66-128-5173	16	16							
17	HYG3115	NUT PLATE		2	2							
18	WA106041L	WASHER-PLAIN	5310-66-098-4440	4	4							
19	WL106001L	WASHER-LOCK	5310-99-137-9232	4	4							
20	FS106201	SCREW	5305-99-122-5361	4	4							
21	HYG3114	STRIP-RUBBER	5330-66-128-5190	2	2							
22	HYG2009	PLATE-COVER		2	2							
23	HYG2431	PLATE-COVER		2	2							01
24	R330578	HOOK-ROPE-RH		1	1							
24	R330579	HOOK-ROPE-LH		1	1							
25	HYG2872	PANEL-BODYSIDE RH		1	1							
	HYG2876	SIDE ASSY-W/ARCH & T/BOX FLOOR-RH		1	1							01
	HYG2877	SIDE ASSY-W/ARCH & T/BOX FLOOR-LH		1	1							01
	HYG3644	SIDE ASSY-W/ARCH & T/BOX FLOOR-RH		1	1							02
	HYG3645	SIDE ASSY-W/ARCH & T/BOX FLOOR-LH		1	1							02
25	HYG2873	PANEL-BODYSIDE LH		1	1							
26	HYG1690	ANCHORAGE-SEAT FRAME		4	4							
	RA608183L	POP RIVET-ANCHORAGE	5320-66-128-6335	8	8							

GROUP SQ/1



**REAR BODY LOWER – PANELS
SOFT TOP CARGO – NOT FFR**

PERENTIE LAND ROVER PARTS LIST

ITEM	PART NO.	DESCRIPTION	NSN	DERIVATIVE CODE							CP	
				2188	2189	2190	2191	2192	2194	2195		2207
27	HYG4018	PANEL-FRONT		1	1							
28	MWC2129	GASKET-COVER PLATE		2	2							
29	MUC6519	COVER PLATE		2	2							
30	HYG2625	ANCHORAGE-SEAT FRAME		2	2							
31	R78248	POP RIVET	5320-99-970-3518	117	117							
32	MUC9158	COWL-FUEL FILLER		1	1							
	R330615	TREAD PLATE-FLOOR		5	5							
	HYG2032	STRIP-PROTECTION - FLOOR EDGE	2540-66-128-4962	1	1							
	AB606041L	SCREW	5305-99-950-4416	7	7							
	RRC5997	W/ARCH & REAR END PANEL LH		1	1							02
	RRC5996	W/ARCH & REAR END PANEL RH		1	1							02
	HYG2381	FLOOR-TOOLBOX-LH		1	1							
	HYG2380	FLOOR-TOOLBOX-RH		1	1							
	R330717	TREAD PLATE-FRONT PANEL		3	3							

CHANGE POINT

ARN INTRODUCTION

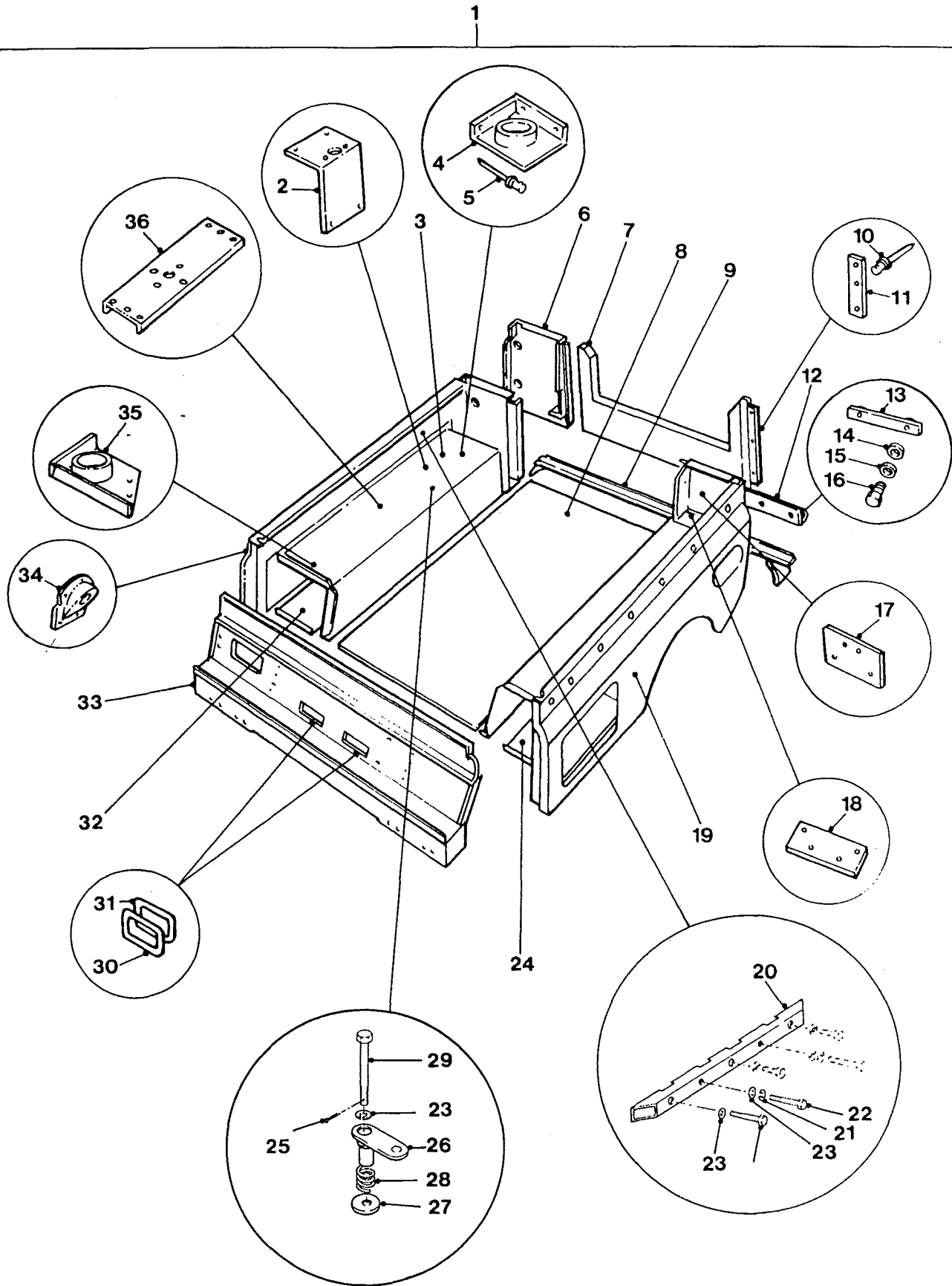
1

UP TO DELETION OF STEPPED WHEELARCH BOX TOP PANEL

2

FROM FLAT WHEELARCH BOX TOP PANEL

GROUP SQ/2 SHEET 1

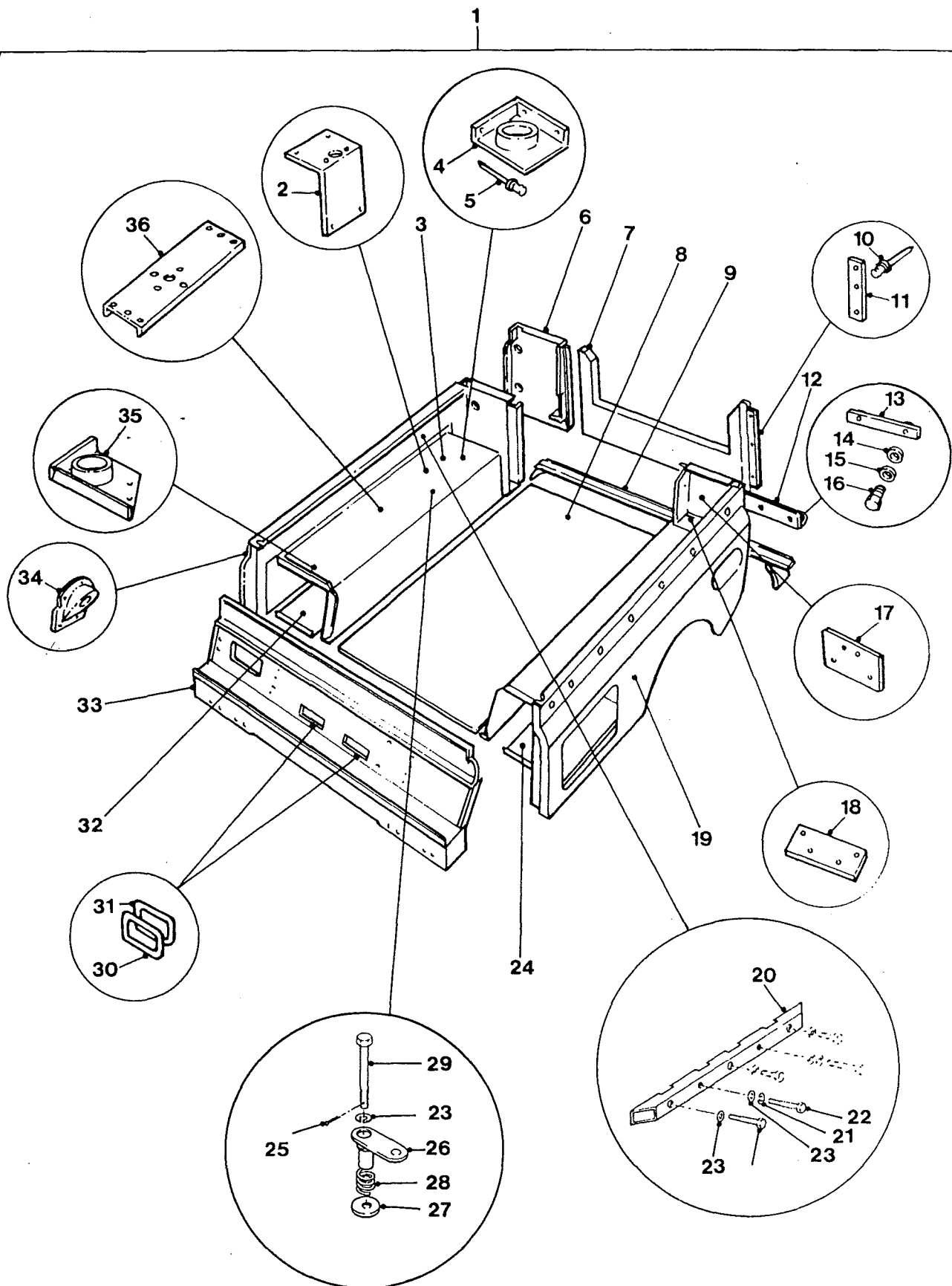


**REAR BODY LOWER – PANELS
SOFT TOP CARGO – FFR ONLY**

PERENTIE LAND ROVER PARTS LIST

ITEM	PART NO.	DESCRIPTION	NSN	DERIVATIVE CODE							CP	
				2188	2189	2190	2191	2192	2194	2195		2207
1	NSS											
2	HYG3470	STIFFENER-REAR				4	4					
	HYG3261	PLATE-TAPPED-M8				4	4					
3	HYG3092	BODYSIDE-WHEELARCH ASSY-RH				1	1					01
	HYG3638	BODYSIDE-WHEELARCH ASSY-RH				1	1					02
4	AYG5800	LOCATER-RH REAR				1	1					01
	HYG3604	LOCATOR-RH REAR				1	1					02
5	AFU1298	MONOBOLT	5320-66-128-5186			8	8					
6	RRC4837	PANEL-REAR-LH				1	1					
	RRC4836	PANEL-REAR-RH				1	1					
7	HYG3222	PANEL ASSY-REAR END				1	1					
8	HYG6115	FLOOR PLATE ASSY				1	1					
9	R330271	ANGLE-REAR				1	1					
10	RU612373L	POP RIVET	5320-99-120-9002			10	10					
11	HYG2412	PACKING				2	2					
12	HYG3114	STRIP-RUBBER	5330-66-128-5190			2	2					
13	HYG3115	PLATE-STRIP				2	2					
14	WA106041L	WASHER-PLAIN	5310-66-098-4440			4	4					
15	WL106001L	WASHER-LOCK	5310-99-137-9232			4	4					
16	SE106251	SCREW	5305-99-135-0442			4	4					
17	HYG2009	PLATE-COVER				2	2					
18	HYG2431	PLATE-COVER				2	2					01
19	HYG3093	BODYSIDE-WHEELARCH ASSY-LH				1	1					01

GROUP SQ/2 SHEET 1

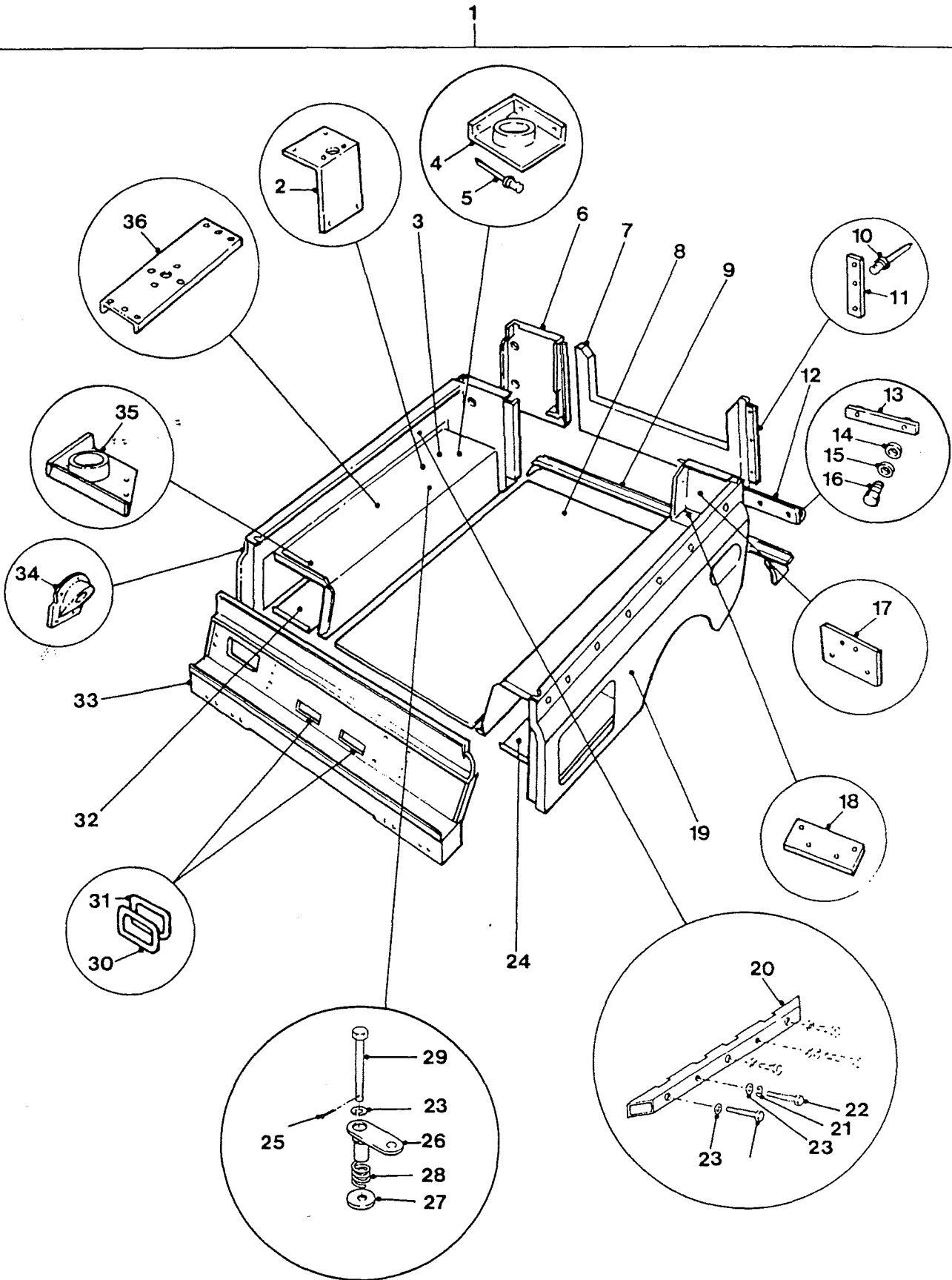


**REAR BODY LOWER – PANELS
SOFT TOP CARGO – FFR ONLY**

PERENTIE LAND ROVER PARTS LIST

ITEM	PART NO.	DESCRIPTION	NSN	DERIVATIVE CODE							CP	
				2188	2189	2190	2191	2192	2194	2195		2207
	HYG3639	BODYSIDE-WHEELARCH ASSY-LH				1	1					02
20	HYG5807	TUBE-PACKING	2540-66-128-6010			2	2					
21	WL108001L	WASHER-LOCK	5310-99-137-9231			4	4					
22	FB108101	BOLT				4	4					
23	WA108051L	WASHER-PLAIN	5310-99-122-6475			8	8					
24	HYG2381	FLOOR-TOOLBOX-LH				1	1					
25	MYH3612	SCREW	5305-66-128-6013			2	2					
26	HYG5793	CLAMP	5330-66-128-6011			4	4					
27	WJ110001	WASHER-PLAIN	5310-99-785-2434			4	4					
28	MYH3610	SPRING-CLAMP	5360-66-128-6015			4	4					
29	MYH3611	SCREW	5305-66-128-6012			2	2					
	MYH3612	SCREW	5305-66-128-6013			2	2					
30	MUC6519	COVER PLATE				2	2					
31	MWC2129	GASKET-COVER PLATE				2	2					
32	HYG2380	FLOOR-TOOLBOX-RH				1	1					
33	HYG4018	PANEL-FRONT				1	1					
34	MUC9158	COWL-FUEL FILLER				1	1					
35	AYG5795	LOCATER-LH FRONT GUIDE TUBE				1	1					01
	HYG5879	LOCATER-LH FRONT GUIDE TUBE				1	1					02
	AYG5794	LOCATOR-RH FRONT GUIDE TUBE				1	1					01
	HYG5878	LOCATER-RH FRONT GUIDE TUBE				1	1					02
36	HYG3508	STIFFENER-FRONT				2	2					

GROUP SQ/2 SHEET 1



**REAR BODY LOWER – PANELS
SOFT TOP CARGO – FFR ONLY**

PERENTIE LAND ROVER PARTS LIST

SQ /2/1

REAR BODY LOWER - PANELS - SOFT TOP CARGO - FFR ONLY

<u>ITEM</u>	<u>PART NO.</u>	<u>DESCRIPTION</u>	<u>NSN</u>	<u>DERIVATIVE CODE</u>										
				<u>2188</u>	<u>2189</u>	<u>2190</u>	<u>2191</u>	<u>2192</u>	<u>2194</u>	<u>2195</u>	<u>2207</u>	<u>CP</u>		
	HYG3261	PLATE-TAPPED-M8					2	2						

CHANGE POINT

ARN INTRODUCTION

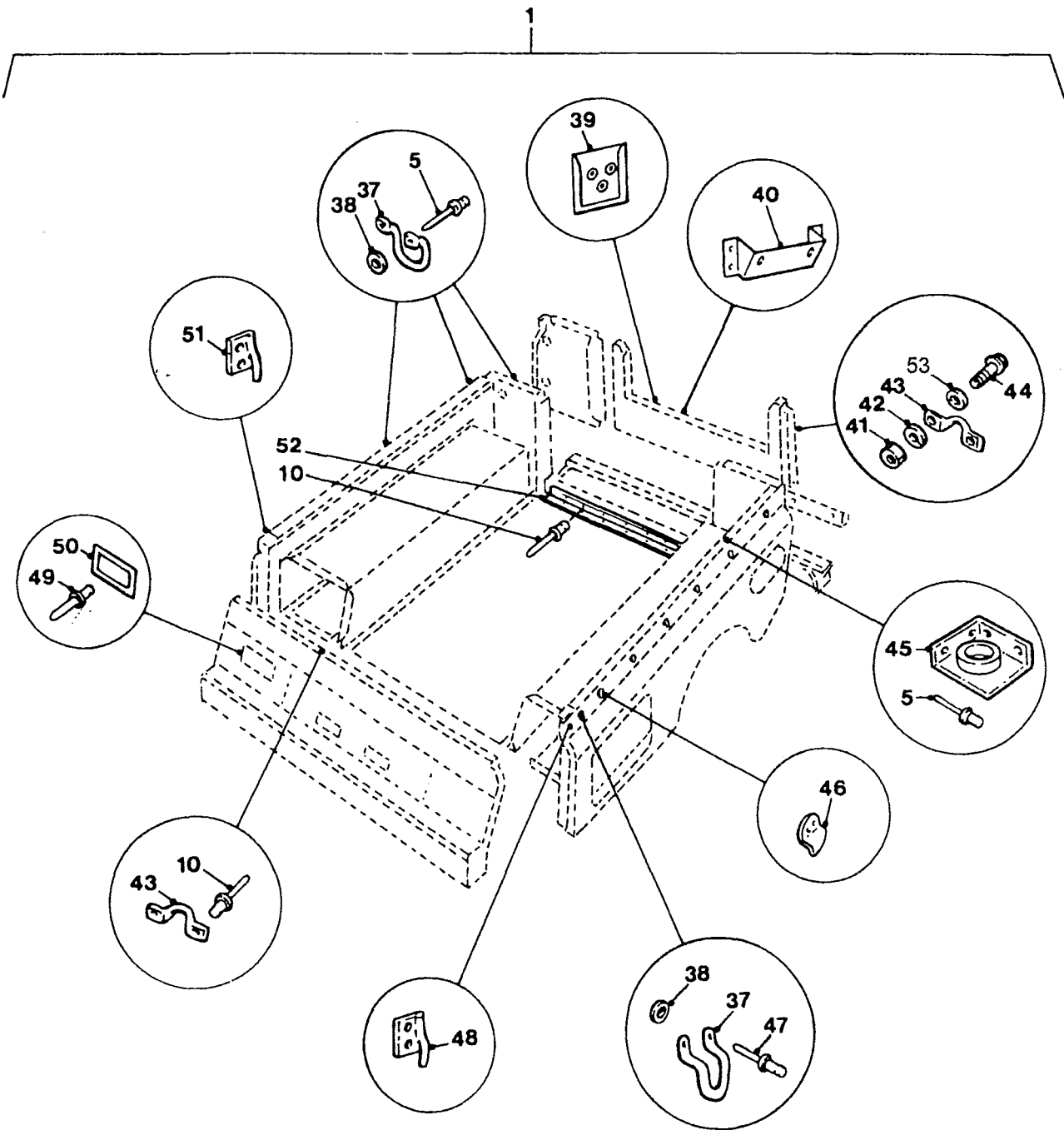
1

UP TO DELETION OF STEPPED WHEELARCH TOP PANEL

2

FROM INTRODUCTION OF FLAT WHEELARCH TOP PANEL

GROUP SQ/2 SHEET 2

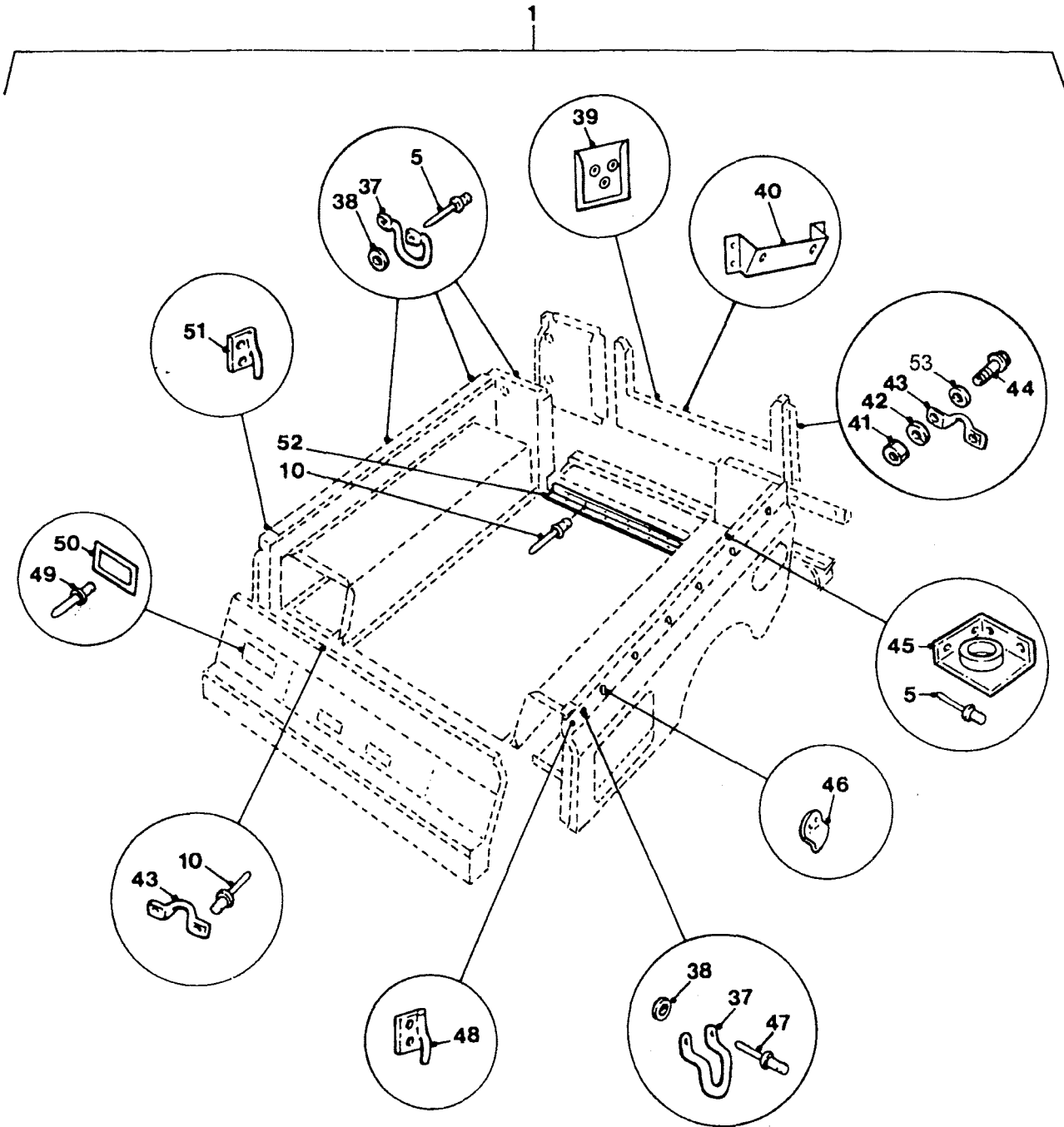


**REAR BODY LOWER – PANELS
SOFT TOP CARGO – FFR ONLY**

PERENTIE LAND ROVER PARTS LIST

ITEM	PART NO.	DESCRIPTION	NSN	DERIVATIVE CODE							CP	
				2188	2189	2190	2191	2192	2194	2195		2207
5	AFU1298	MONOBOLT	5320-66-128-5186			14	14					
10	RU12373L	POP RIVET	5320-99-120-9002			32	32					
37	R345699	HOOK-ROPE				8	8					
38	WJ105001L	WASHER-PLAIN				24	24					
39	HYK2674	HOLDER-UNIT SIGN				2	2					
40	HYG2006	BRACKET-LAMP				1	1					
41	NH105041L	NUT	5310-66-098-4400			4	4					
42	WL105001L	WASHER-LOCK				4	4					
43	R395143	STAPLE				8	8					
44	SE105161L	SCREW				4	4					
45	AYG5801	LOCATOR-REAR-LH				1	1					01
	HYG3605	LOCATOR-REAR-LH				1	1					02
46	R301328	RETAINING PLATE-CANOPY				10	10					
47	MYH3344	MONOBOLT	5320-66-128-3632			4	4					
48	R330579	HOOK-LH				1	1					
49	R78248	POP RIVET	5310-99-970-3518			6	6					
50	HYG2103	PLATE-PANEL				1	1					
51	R330578	HOOK-RH				1	1					
52	HYG2414	BRACKET-ANGLE				1	1					
53	WC105001L	WASHER-PLAIN				4	4					
54	HYG1690	ANCHORAGE-REAR BODY				2	2					
55	R78248	POP RIVET	5320-99-970-3518			2	2					
56	HYG2732	STOWAGE BRACKET-JACK				2	2					
57	RA612253L	POP RIVET-BRACKET	5320-66-128-5117			2	2					
58	HYG2663	TREAD PLATE				5	5					
59	R78248	POP RIVET	5320-99-970-3518			50	50					
	R78248	POP RIVET	5320-99-970-3518			98	98					
	HYG4287	PANEL-BODYSIDE-LH				1	1					

GROUP SQ/2 SHEET 2



**REAR BODY LOWER – PANELS
SOFT TOP CARGO – FFR ONLY**

PERENTIE LAND ROVER PARTS LIST

SQ /2/2

REAR BODY LOWER - PANELS - SOFT TOP CARGO - FFR ONLY

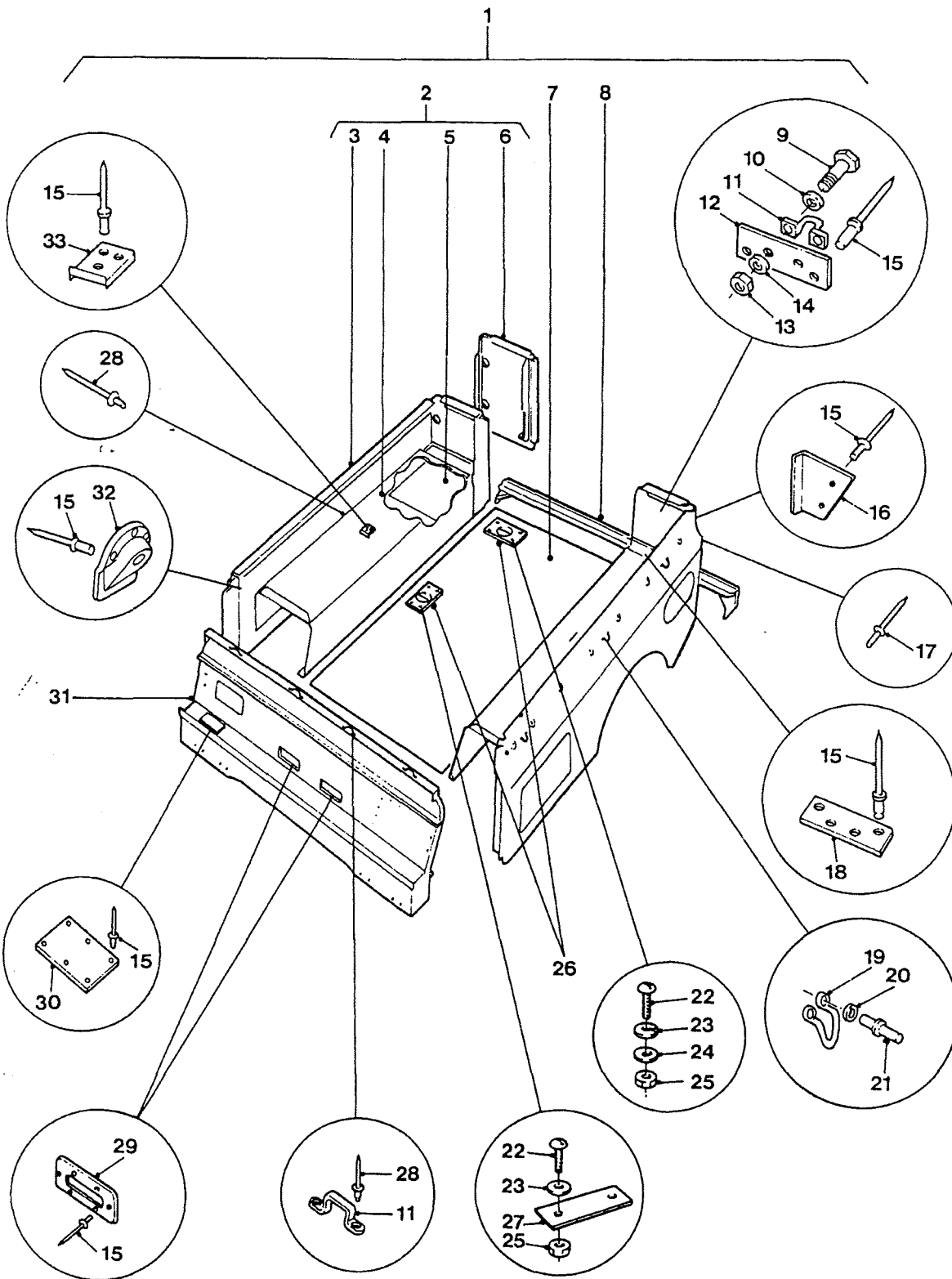
<u>ITEM</u>	<u>PART NO.</u>	<u>DESCRIPTION</u>	<u>NSN</u>	<u>DERIVATIVE CODE</u>							<u>CP</u>	
				<u>2188</u>	<u>2189</u>	<u>2190</u>	<u>2191</u>	<u>2192</u>	<u>2194</u>	<u>2195</u>		<u>2207</u>
	HYG4286	PANEL-BODYSIDE-RH				1	1					
	MRC8736	NUT PLATE-REAR BODY				3	3					
	RRC5997	WHEELARCH & REAR END PANEL-LH				1	1					
	RRC59961	WHEELARCH & REAR END PANEL-RH				1	1					

CHANGE POINT

ARN INTRODUCTION

- | | |
|---|---|
| 1 | UP TO DELETION OF STEPPED WHEELARCH TOP PANEL |
| 2 | FROM INTRODUCTION OF FLAT WHEELARCH TOP PANEL |

GROUP SQ/3

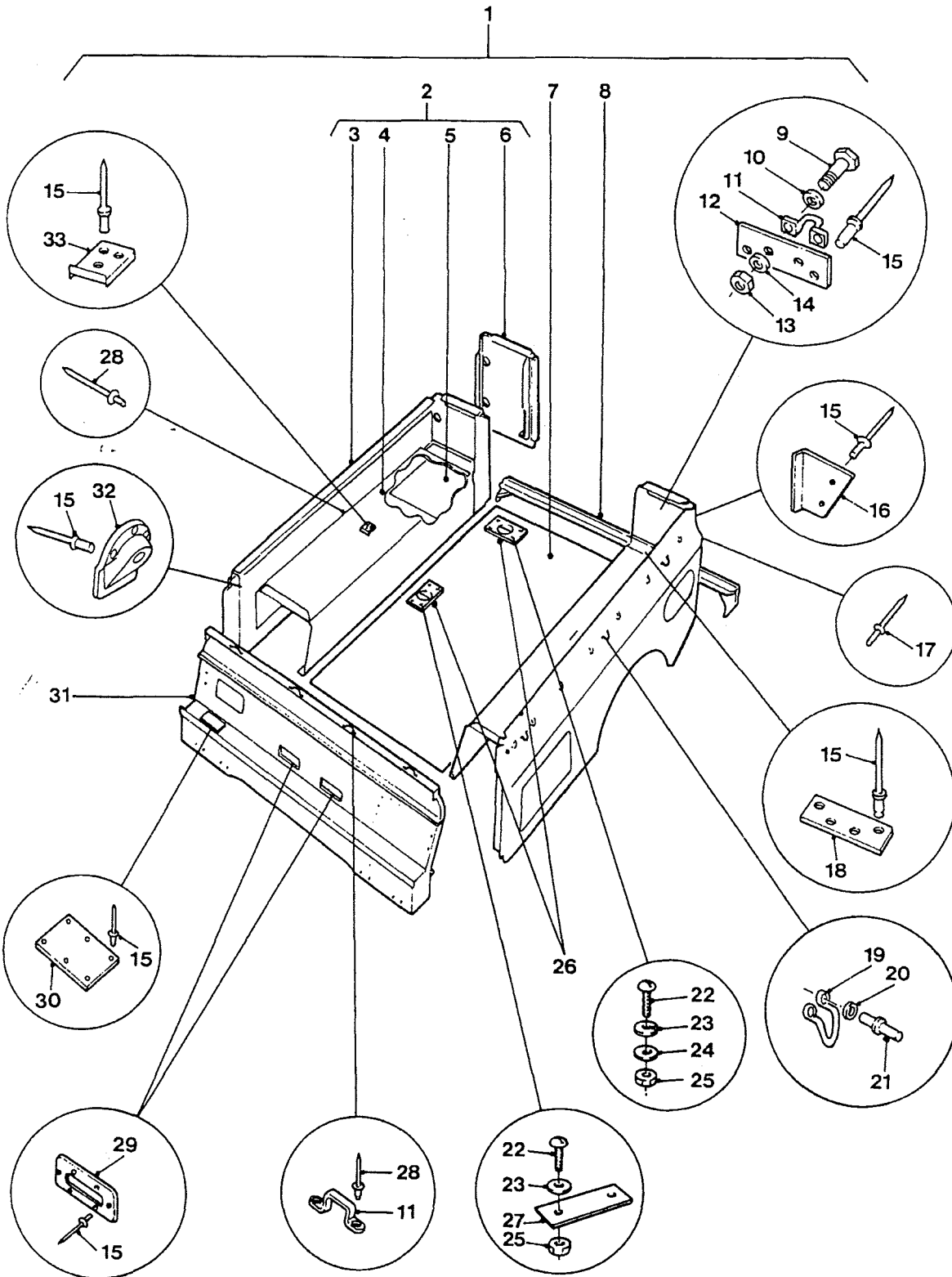


**REAR BODY LOWER – PANELS
HARD TOP SURVEY ONLY**

PERENTIE LAND ROVER PARTS LIST

ITEM	SQ /3/1 PART NO.	REAR BODY LOWER - PANELS - HARD TOP SURVEY ONLY DESCRIPTION	NSN	DERIVATIVE CODE								
				2188	2189	2190	2191	2192	2194	2195	2207	CP
1	NSS											
2	HYG3682	BODYSIDE ASSY-RH										1
2	HYG3433	BODYSIDE ASSY-LH										1
3	HYG4286	PANEL-BODYSIDE-RH										1
3	HYG4287	PANEL-BODYSIDE-LH										1
4	NSS											
5	HYG2380	FLOOR-TOOLBOX-RH										1
5	HYG2381	FLOOR-TOOLBOX-LH										1
6	RRC4826	PANEL-REAR-RH										1
6	RRC4837	PANEL-REAR-LH										1
7	HYG6115	FLOOR PLATE ASSY										1
8	R330271	ANGLE-MOUNTING-REAR										1
9	SE105161L	SCREW	5303-99-135-0430									4
10	WC105001L	WASHER PLAIN	5310-99-122-3032									4
11	R395143	STAPLE	2540-99-824-6204									6
12	HYG2009	PLATE-COVER										2
13	NH105041L	NUT	5310-66-098-4400									4
14	WL105001L	WASHER-LOCK	5310-99-977-1102									4
15	R78248	POP RIVET	5320-99-970-3518									1
16	MUC9154	BRACKET-CORNER-RH										1
16	MUC9155	BRACKET-CORNER-LH										1
17	RJ612253	POP RIVET										20
18	HYG2431	PLATE-COVER										2
19	R345699	HOOK-ROPE	2510-99-820-7552									6
20	WJ105001L	WASHER-PLAIN	5310-66-128-4726									12
21	MYH3344	MONOBOLT	5320-66-128-3632									4
22	SP106201	SCREW										24
23	WA106041L	WASHER-PLAIN	5310-66-098-4440									48
24	WJ106001L	WASHER-PLAIN	5310-66-128-4699									4

GROUP SQ/3



**REAR BODY LOWER – PANELS
HARD TOP SURVEY ONLY**

PERENTIE LAND ROVER PARTS LIST

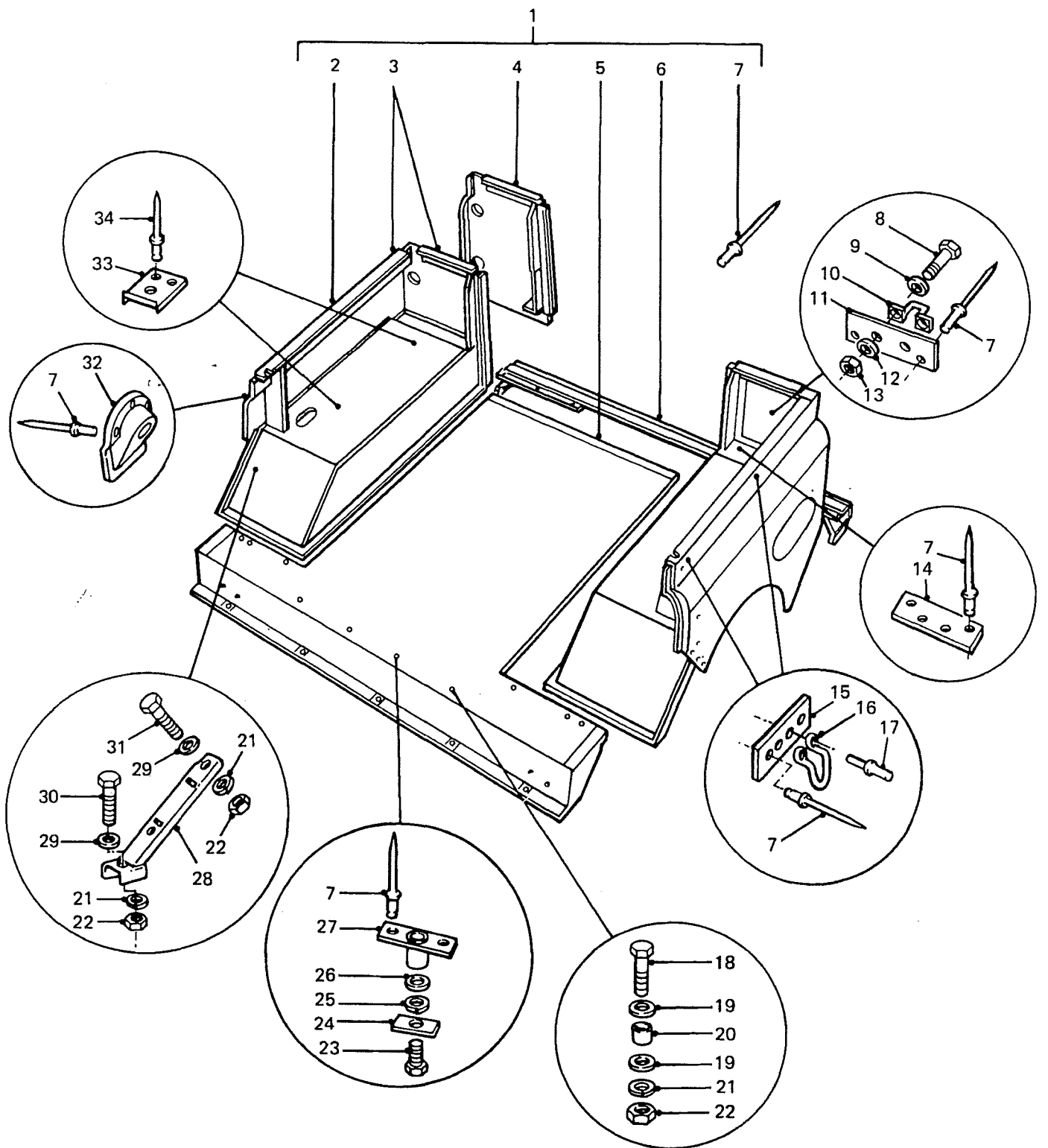
ITEM	PART NO.	DESCRIPTION	NSN	DERIVATIVE CODE										
				2188	2189	2190	2191	2192	2194	2195	2207	CP		
25	NY106041L	NUT-NYLOC	5310-99-138-8423											24
26	HYG3861	RING-TIE DOWN												6
27	MYH3547	SPACER RING												4
28	RU612373L	POP RIVET	5320-99-120-9002											8
29	MUC6519	COVER PLATE												2
30	HYG2103	PLATE-PANEL												1
31	HYG4018	PANEL-FRONT												1
32	MU9158	COWL-FUEL FILLER												1
33	HYG1690	ANCHOR ASSY												4
	MYH5347	PACKER-TOOLBOX												4
	AFU1298	MONOBOLT-ROPE HOOK TO B/SIDES-REAR	5320-66-128-5186											8
	R330717	TREAD PLATE-FRONT PANEL												3
	R330615	TREAD PLATE-REAR FLOOR												5
	HYG2032	STRIP-PROTECTION-REAR BODY	2540-66-128-4962											1
	AB606041L	SCREW	5305-99-950-4416											7
	HYG3262	GROMMET & CORD- ANT.CABLE HOLES	5325-66-128-5344											1
	FN108041	NUT-MTG BRKT	5310-99-499-8033											4
	WL108001L	WASHER-LOCK-MTG BRKT	5310-99-137-9231											4
	WA108051L	WASHER-PLAIN-MTG BRKT	5310-99-122-6475											8
	FS108201	SCREW-MTG BRKT												4
	HYG3619	BRACKET-MTG-ANTENNA												1
	R78248	POP RIVET-BRACKET	5320-99-970-3518											2
	HYG2732	BRACKET-STOWAGE-JACK												1
	R78248	POP RIVET-RETAINER	5320-99-970-3518											4
	R301328	RETAINER-BODYSIDE PANEL												2

CHANGE POINT

ARN INTRODUCTION

Dec 1999

GROUP SQ/4

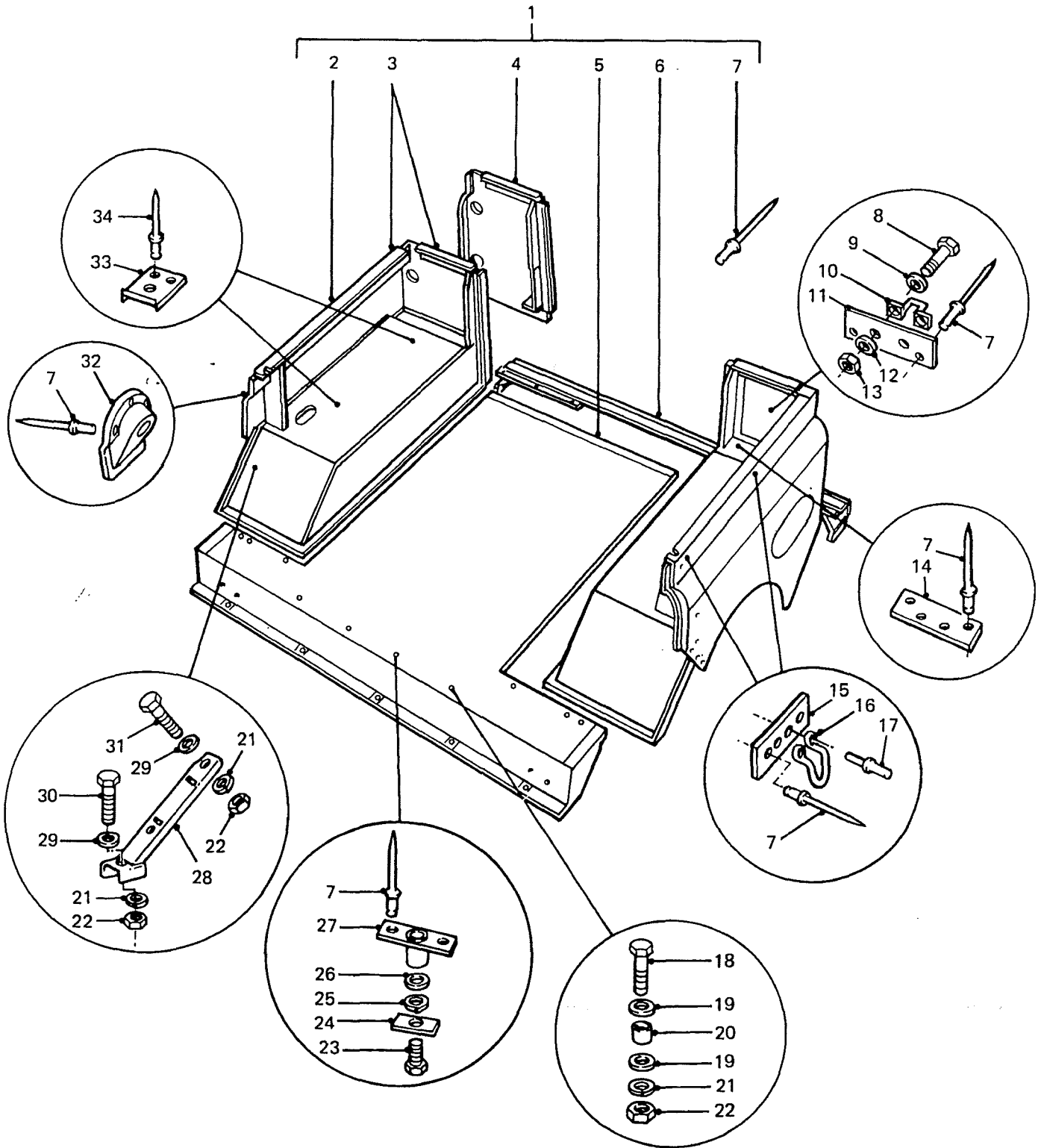


**REAR BODY LOWER – PANELS
STATION WAGON ONLY**

PERENTIE LAND ROVER PARTS LIST

ITEM	PART NO.	DESCRIPTION	NSN	DERIVATIVE CODE										
				2188	2189	2190	2191	2192	2194	2195	2207	CP		
1	NSS													
2	RRC5364A	PANEL BODYSIDE-RH									1		1	
2	MRC5071	PANEL-BODYSIDE-LH									1		1	
3	RRC5358A	BODYSIDE ASSY-RH									1		1	
3	RRC5359A	BODYSIDE ASSY-LH									1		1	
4	RRC4836	PANEL-REAR-RH									1		1	
4	RRC4837	PANEL-REAR-LH									1		1	
5	MWC6145	FLOOR-REAR									1		1	
6	MTC1039	ANGLE-MOUNTING-REAR									1		1	
7	R78248	POP RIVET	5320-99-970-3518								120		120	
8	SE105161L	SCREW	5305-99-135-0430								4		4	
9	WL105001L	WASHER-LOCK	5310-99-977-1102								4		4	
10	R395143	STAPLE	2540-99-824-6204								2		2	
11	HYG2009	PLATE-COVER									2		2	
12	WC105001L	WASHER PLAIN	5310-99-122-3032								4		4	
13	NH105041L	NUT	5310-66-098-4400								4		4	
14	HYG2431	PLATE-COVER									2		2	
15	HYG3230	PLATE REINFORCEMENT-ROPE HOOK									4		4	
16	R345699	HOOK-ROPE	2510-99-820-7552								4		4	
17	AFU1298	MONOBOLT	5320-66-128-5186								8		8	
18	SH605141	SCREW									2		2	
19	RTC610	WASHER-PLAIN	5310-66-012-6819								4		4	
20	RTC6065	DISTANCE TUBE									2		2	
21	WM600051L	WASHER-LOCK	5310-66-016-5980								6		6	
22	NH605041L	NUT	5310-99-136-1515								6		6	
23	SH607091	SCREW									2		2	
24	R348770	PLATE-LOCK									2		2	
25	WM600071L	WASHER-LOCK									2		2	

GROUP SQ/4



**REAR BODY LOWER – PANELS
STATION WAGON ONLY**

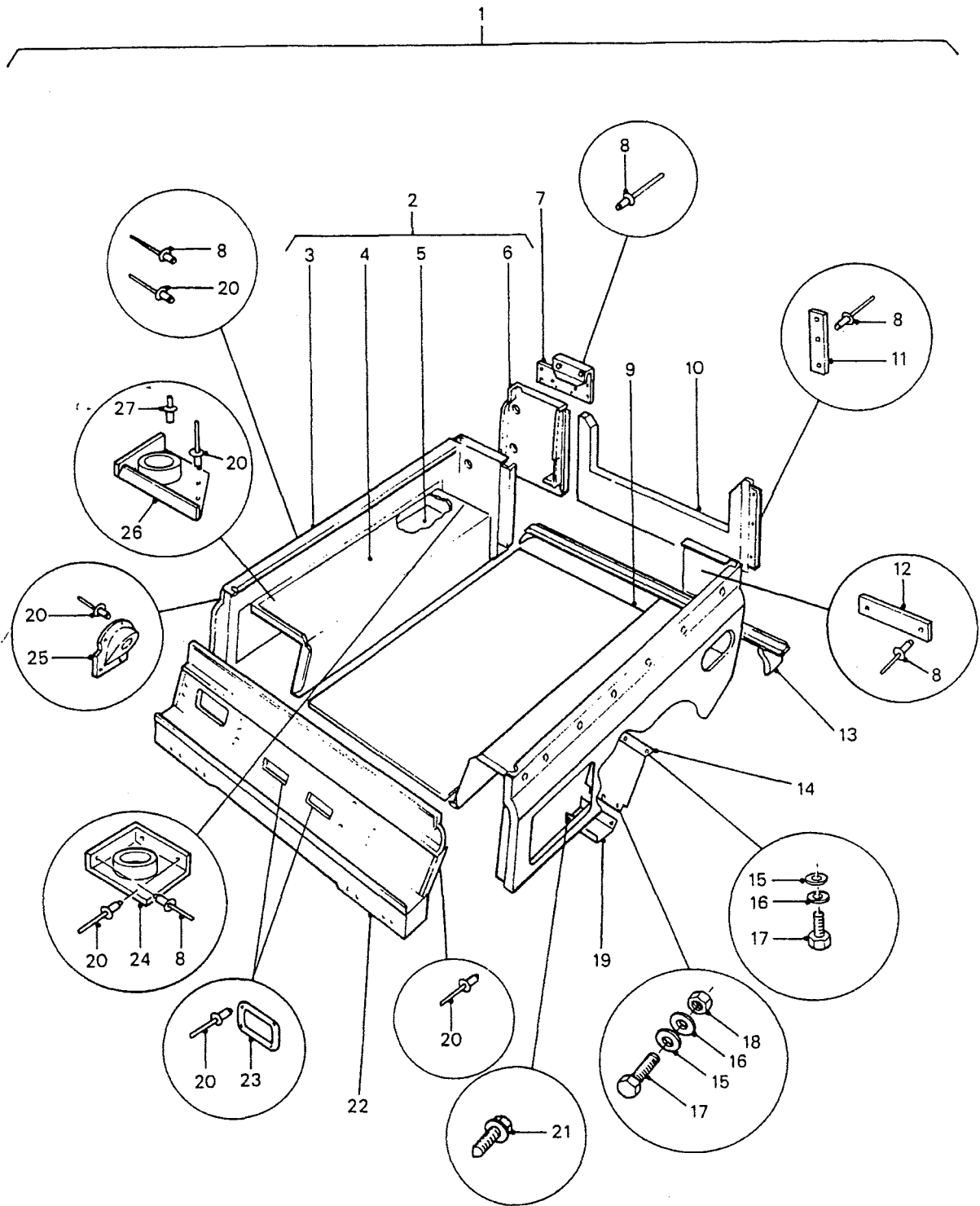
PERENTIE LAND ROVER PARTS LIST

ITEM	PART NO.	DESCRIPTION	NSN	DERIVATIVE CODE								
				2188	2189	2190	2191	2192	2194	2195	2207	CP
26	R217245	WASHER	5310-99-138-0321							2	2	
27	R348765	SUB ANCHOR TUBE								2	2	
28	R347844	BRACKET-WHEELARCH ANCHORAGE								2	2	
29	RTC610	WASHER-PLAIN	5310-66-012-6819							4	4	
30	SH605081L	SCREW-LOWER	5305-99-941-0700							2	2	
31	SH605071L	SCREW-UPPER								2	2	
32	MUC9158	COWL-FUEL FILLER								1	1	
33	HYG1690	ANCHOR ASSY								2	4	
34	R78248	POP RIVET	5320-99-970-3518							4	8	
	HYG2380	FLOOR-TOOLBOX-RH								1	1	
	HYG2381	FLOOR-TOOLBOX-LH								1	1	
	HYG2732	BRACKET-STOWAGE-JACK								1	1	
	RA612253L	POP RIVET-BRACKET	5320-66-128-5117							2	2	

CHANGE POINT

ARN INTRODUCTION

GROUP SQ/5 SHEET 1

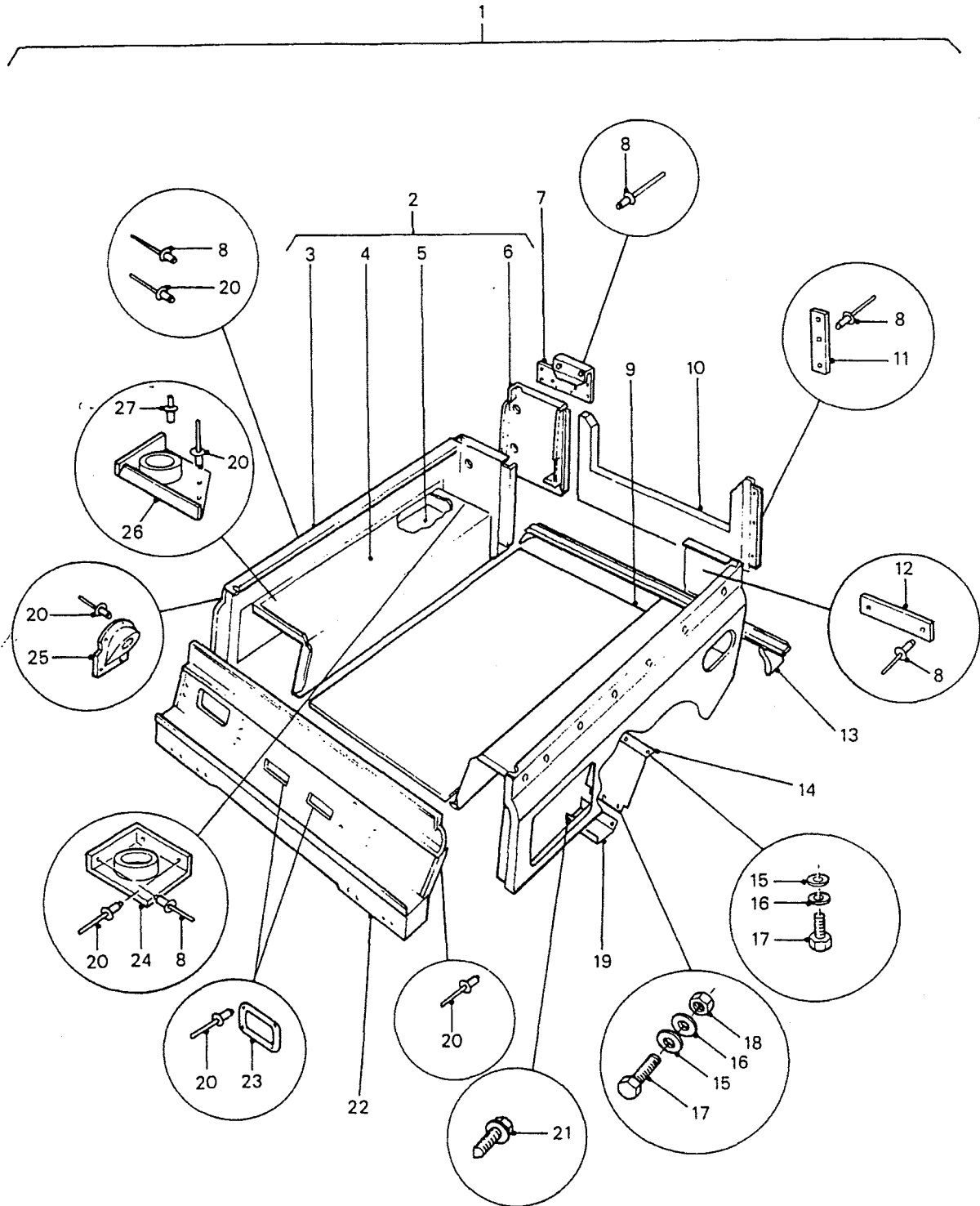


**REAR BODY LOWER – PANELS
RFSV ONLY**

PERENTIE LAND ROVER PARTS LIST

ITEM	PART NO.	DESCRIPTION	NSN	DERIVATIVE CODE							CP
				2188	2189	2190	2191	2192	2194	2195	
1	NSS										
2	HYG4030	BODYSIDE - WHEELARCH & TOOLBOX FLOOR-RH								1	
	HYG4031	BODYSIDE - WHEELARCH & TOOLBOX FLOOR-LH								1	
3	HYG4028	PANEL-SIDE-RH								1	
	HYG4029	PANEL-SIDE-LH								1	
4	NSS										
5	HYG2380	FLOOR-TOOLBOX-RH								1	
	HYG2381	FLOOR-TOOLBOX-LH								1	
6	RRC4836	PANEL-REAR-RH								1	
	RRC4837	PANEL-REAR-LH								1	
7	HYG4590	CLAMP-BASE-RH								1	
	HYG4589	CLAMP-BASE-LH								1	
8	RU612373L	POP RIVET	5320-99-120-9002							126	
9	HYG3860	FLOOR ASSY								1	
10	HYG3222	PANEL ASSY-REAR END								1	
11	HYG4961	PACKING								2	
12	HYG4435	REINFORCEMENT								2	
13	R330271	ANGLE-MOUNTING-REAR								1	
14	HYG2425	MUDSHIELD-RADIO BATTERIES								2	
15	WA108051L	WASHER-PLAIN	5310-99-122-6475							12	
16	WL108001L	WASHER-LOCK	5310-99-137-9231							12	
17	FS108201	SCREW								12	
18	FN108041	NUT	5310-99-499-8033							6	
19	AYG9890	SUPPORT-MUDSHIELD-RH								1	
	AYG9891	SUPPORT-MUDSHIELD-LH								1	
20	R78248	POP RIVET	5320-99-970-3518							368	
21	MYH3337	SCREW	5305-66-128-5341							4	

GROUP SQ/5 SHEET 1



REAR BODY LOWER – PANELS RFSV ONLY

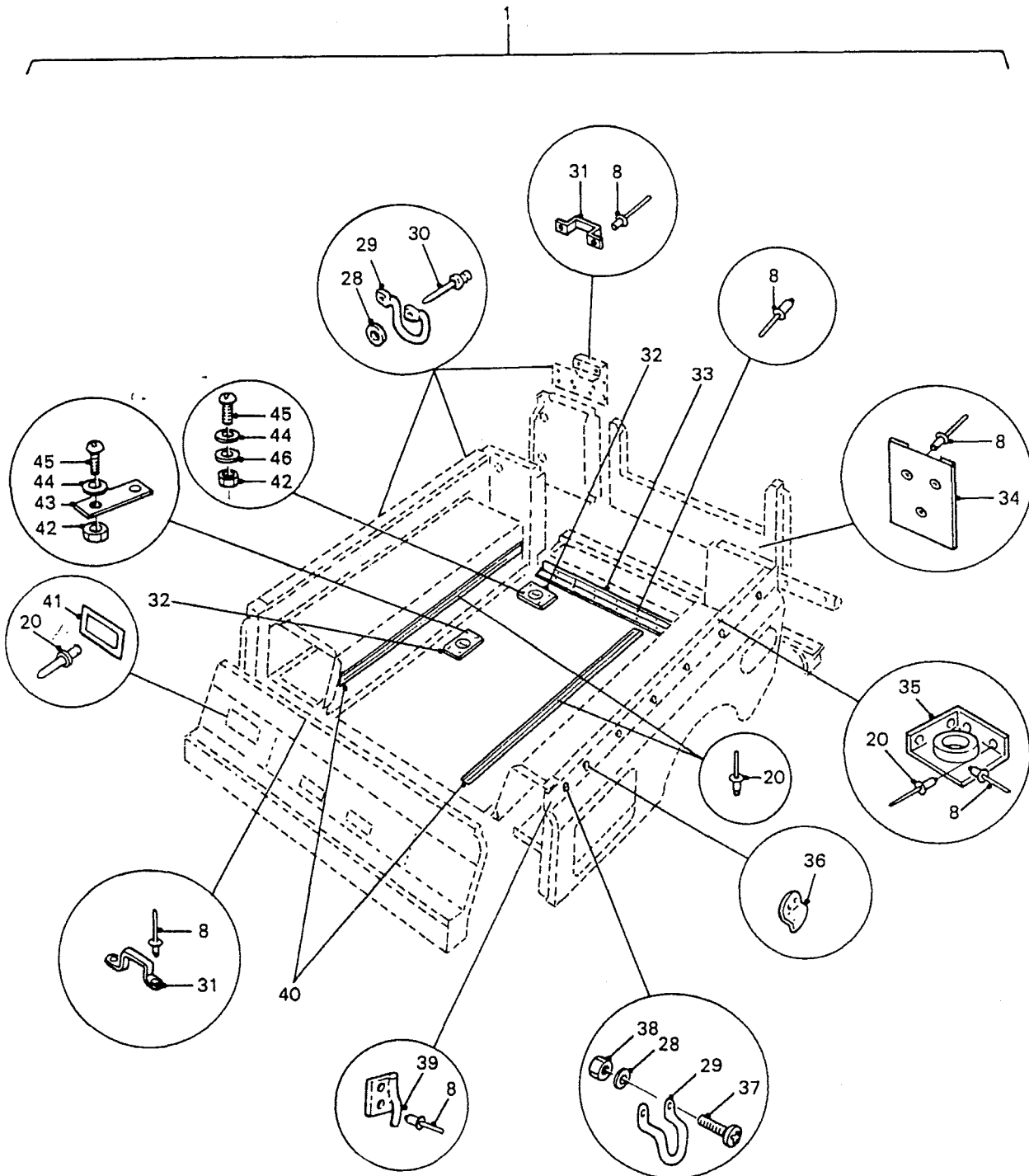
PERENTIE LAND ROVER PARTS LIST

<u>ITEM</u>	<u>SQ 15/1</u> <u>PART NO.</u>	<u>REAR BODY LOWER - PANELS - RFSV ONLY</u> <u>DESCRIPTION</u>	<u>NSN</u>	<u>DERIVATIVE CODE</u>								<u>CP</u>
				<u>2188</u>	<u>2189</u>	<u>2190</u>	<u>2191</u>	<u>2192</u>	<u>2194</u>	<u>2195</u>	<u>2207</u>	
22	HYG3996	PANEL-FRONT										1
23	MUC6519	COVER PLATE										2
24	HYG3604	LOCATOR-REAR GUIDE TUBE-RH										1
25	MUC9158	COWL-FUEL FILLER										2
26	HYG5878	LOCATOR-FRONT GUIDE TUBE-RH										1
	HYG5879	LOCATOR-FRONT GUIDE TUBE-LH										1
27	AFU1298	MONOBOLT	5320-66-128-5186									12

CHANGE POINT

ARN INTRODUCTION

GROUP SQ/5 SHEET 2



**REAR BODY LOWER – PANELS
RFSV ONLY**

PERENTIE LAND ROVER PARTS LIST

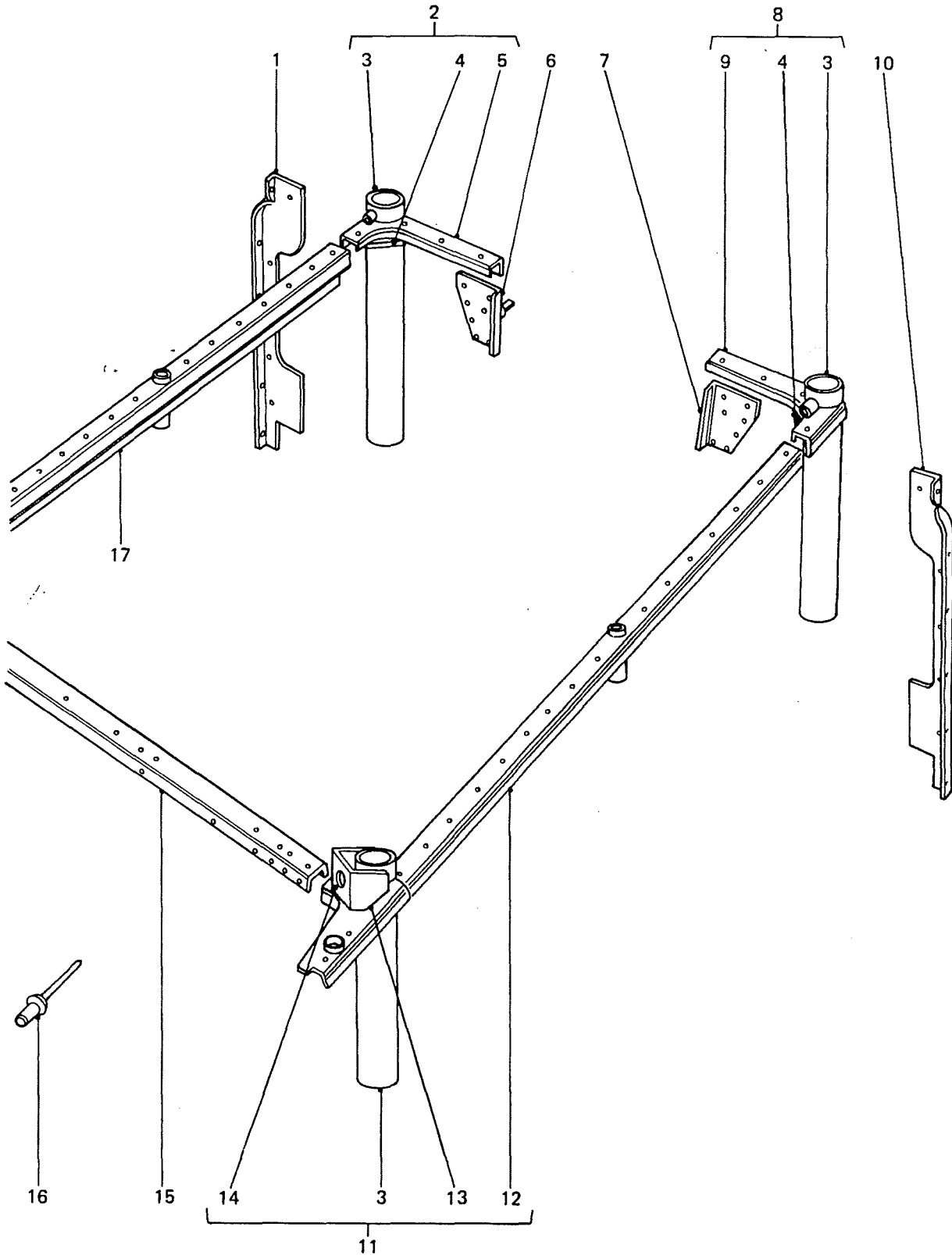
<u>ITEM</u>	<u>PART NO.</u>	<u>DESCRIPTION</u>	<u>NSN</u>	<u>DERIVATIVE CODE</u>							<u>CP</u>
				<u>2188</u>	<u>2189</u>	<u>2190</u>	<u>2191</u>	<u>2192</u>	<u>2194</u>	<u>2195</u>	
28	WJ105001L	WASHER-PLAIN	5310-66-128-4726								12
29	R345699	HOOK- ROPE	2510-99-820-7552								8
30	MYH3344	MONOBOLT	5320-66-125-3632								20
31	R395143	HOOD STAPLE	2540-99-824-6204								10
32	HYG3861	RING-TIE DOWN									6
33	HYG4961	BRACKET-ANGLE									1
34	HYK2674	HOLDER-UNIT SIGN	2590-66-016-0815								2
35	HYG3605	LOCATOR-REAR GUIDE TUBE-LH									1
36	R301328	RETAINER-CANOPY									6
37	SE105201L	SCREW	5205-66-128-4766								4
38	NY105041L	NUT	5310-99-122-5494								4
39	R330578	HOOK-ROPE-RH									1
	R330579	HOOK-ROPE-LH									1
	AFU1256	WASHER-PLAIN -ROPE HOOK	5310-66-128-5173								4
40	HYG2663	TREAD PLATE									5
41	HYG2103	PLATE-PANEL									1
42	NY106041L	NUT-NYLOC	5310-99-138-8423								24
43	MYH3547	SPACER RING									4
44	WA106041L	WASHER-PLAIN	5310-66-098-4440								48
45	SP106201	SCREW									24
46	WJ106001L	WASHER-PLAIN	5310-66-128-4699								4
47	HYG2732	BRACKET-STOWAGE RACK									1
48	R78248	POP RIVET	5320-99-970-3518								2
49	RRC5996	WHEELARCH AND RH REAR END PANEL									1
50	RRC5997	WHEELARCH AND LH REAR END PANEL									1
	MYH3269	GROMMET-HARNESS FRONT PANEL AND CAPPING									2

CHANGE POINT

ARN INTRODUCTION

Dec 1999

GROUP SQA/1

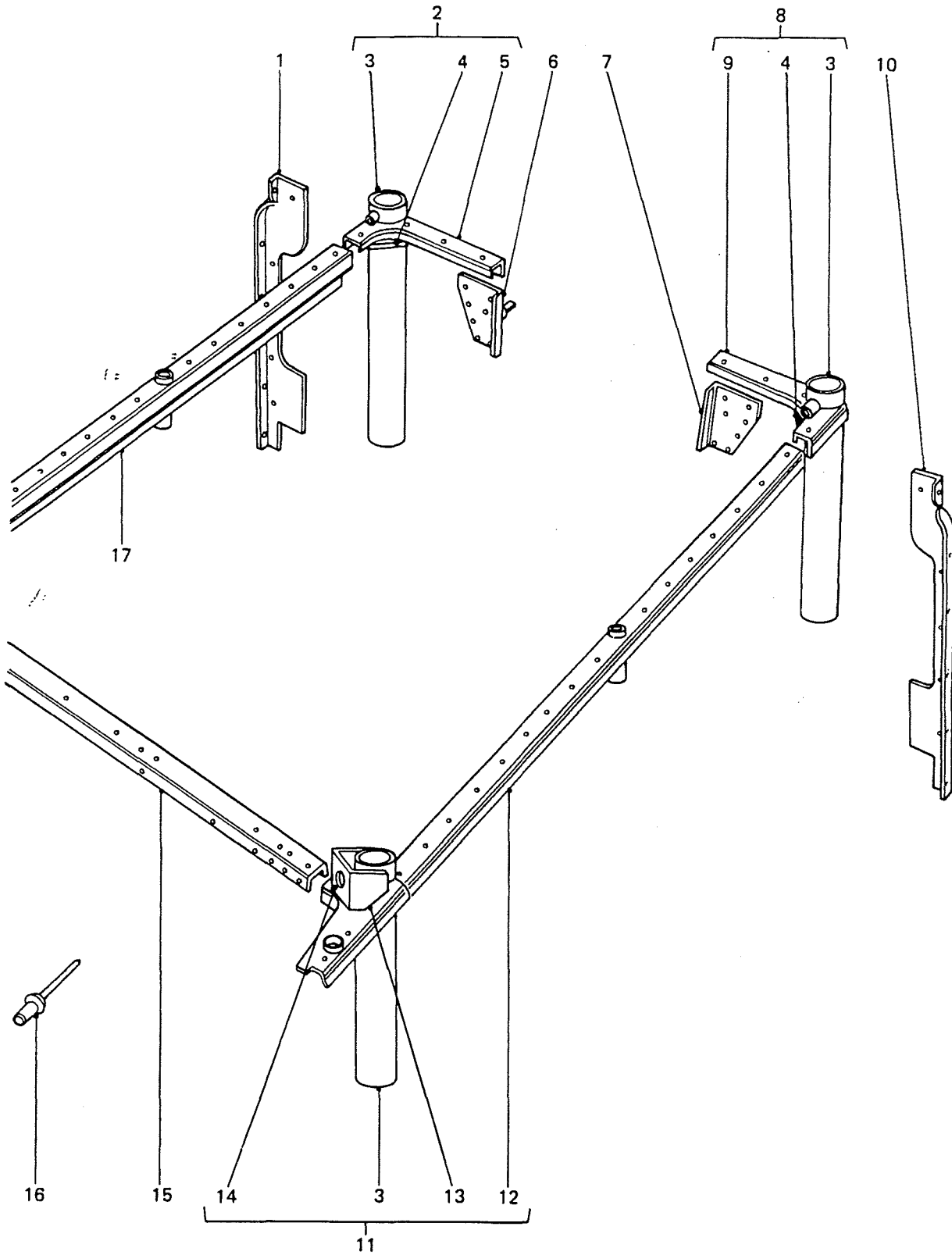


**REAR BODY LOWER – CAPPINGS
SOFT TOP CARGO – NOT FFR**

PERENTIE LAND ROVER PARTS LIST

ITEM	PART NO.	DESCRIPTION	NSN	DERIVATIVE CODE							CP
				2188	2189	2190	2191	2192	2194	2195	
SQA/1/1 REAR BODY LOWER - CAPPINGS - SOFT TOP CARGO - NOT FFR											
1	MUC8716	ANGLE-PROTECTION-RH		1	1						
1	MXC8934	ANGLE-PROTECTION-RH		1	1						
2	HYG5632	CAPPING-SIDE-CORNER -RH (INCLUDES HYG5588 TAPPED PLATE)		1	1						
3	NSS										
4	NSS										
5	NSS										
6	MUC8730	BRACKET-CNR-INNER-RH		1	1						
7	MUC8731	BRACKET-CNR-INNER-LH		1	1						
8	HYG5633	CAPPING-SIDE-CORNER -LH (INCLUDES HYG5588 TAPPED PLATE)		1	1						02
9	NSS										
10	MUC8717	ANGLE-PROTECTION-LH		1	1						
10	MXC8935	ANGLE-PROTECTION-LH		1	1						01
11	HYG5633	CAPPING-SIDE-CORNER -LH (INCLUDES HYG5588 TAPPED PLATE)		1	1						
12	NSS										
13	NSS										
14	NSS										
15	MWC2938	CAPPING-REAR BODY FRONT PANEL		1	1						
16	R78248	POP RIVET	5320-99-970-3518	60	60						
17	NSS										
	MUC8748	LATCH-TAILBOARD RETENTION		2	2						
	WA112081L	WASHER-PLAIN-LATCH TO REAR END PANEL	5310-99-122-6477	2	2						

GROUP SQA/1



**REAR BODY LOWER – CAPPINGS
SOFT TOP CARGO – NOT FFR**

PERENTIE LAND ROVER PARTS LIST

SQA/1/1

REAR BODY LOWER - CAPPINGS - SOFT TOP CARGO - NOT FFR
DERIVATIVE CODE

<u>ITEM</u>	<u>PART NO.</u>	<u>DESCRIPTION</u>	<u>NSN</u>	<u>2188</u>	<u>2189</u>	<u>2190</u>	<u>2191</u>	<u>2192</u>	<u>2194</u>	<u>2195</u>	<u>2207</u>	<u>CP</u>
	NY112041L	NUT-NYLOC-LATCH TO REAR END PANEL	5310-99-768-7269	2	2							

CHANGE POINT

ARN INTRODUCTION

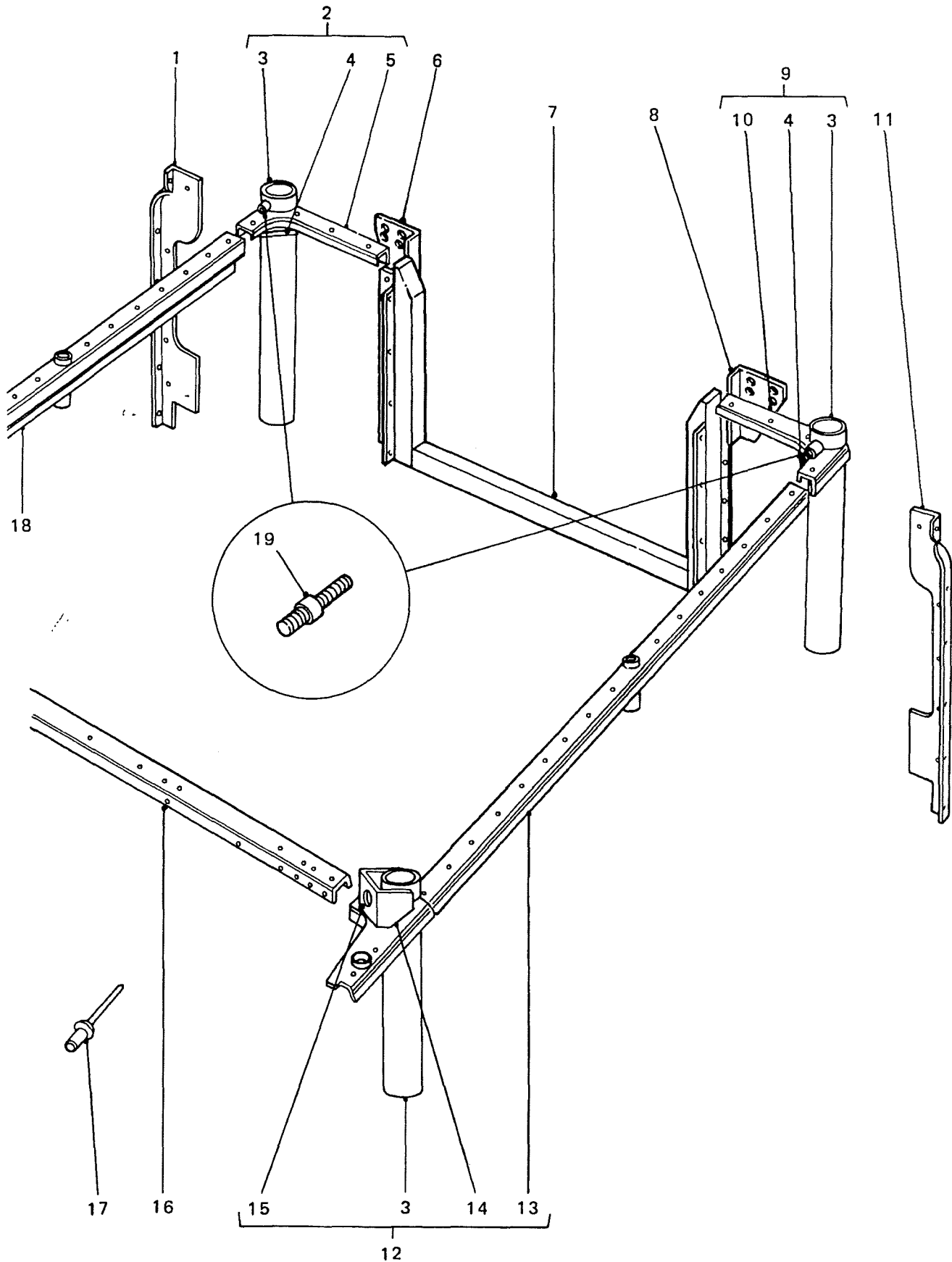
1

VEHICLE NO 1 R.A.A.F.
ALL VEHICLES BUILT AFTER 31/8/90

2

EARLIER TYPE CAPPINGS ARE SERVICED BY ONE PIECE TOP CAPPINGS

GROUP SQA/2

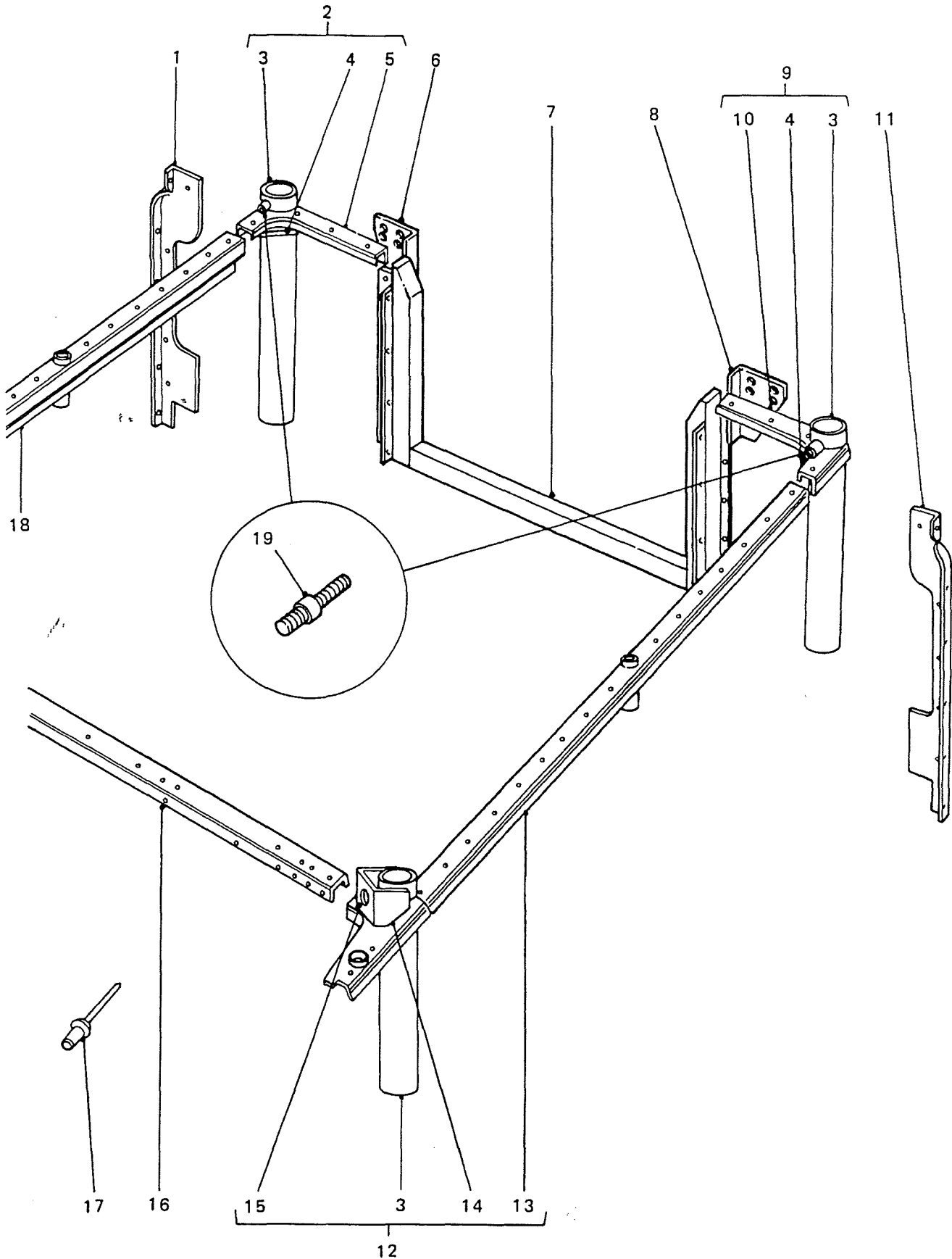


**REAR BODY LOWER – CAPPINGS
SOFT TOP CARGO – FFR ONLY**

PERENTIE LAND ROVER PARTS LIST

ITEM	PART NO.	DESCRIPTION	NSN	DERIVATIVE CODE							CP	
				2188	2189	2190	2191	2192	2194	2195		2207
1	MUC8714	ANGLE-PROTECTION-RH				1	1					
1	MXC8934	ANGLE-PROTECTION-RH				1	1					01
2	HYG5632	CAPPING-SIDE-CORNER -RH (INCLUDES HYG5588 TAPPED PLATE)				1	1					02
3	NSS											
4	NSS											
5	NSS											
6	MUC9154	BRACKET-CNR-INNER-RH				1	1					
7	HYG2407	CAPPING-SIDE & TOP				1	1					
8	MUC9155	BRACKET-CNR-INNER-LH				1	1					
9	HYG5633	CAPPING-SIDE-CORNER -LH (INCLUDES HYG5588 TAPPED PLATE)				1	1					02
10	NSS											
11	MUC8717	ANGLE-PROTECTION-LH				1	1					
11	MXC8935	ANGLE-PROTECTION-LH				1	1					01
12	HYG5633	CAPPING-SIDE-CORNER -LH (INCLUDES HYG5588 TAPPED PLATE)				1	1					02
13	NSS											
14	NSS											
15	NSS											
16	MWC2938	CAPPING-REAR BODY FRONT PANEL				1	1					
17	RU612373L	POP RIVET	5320-99-120-9002			18	18					
18	HYG5632	CAPPING-SIDE-CORNER -RH (INCLUDES HYG5588 TAPPED PLATE)				1	1					

GROUP SQA/2



**REAR BODY LOWER – CAPPINGS
SOFT TOP CARGO – FFR ONLY**

PERENTIE LAND ROVER PARTS LIST

SQA/2/1

REAR BODY LOWER - CAPPINGS - SOFT TOP CARGO - FFR ONLY

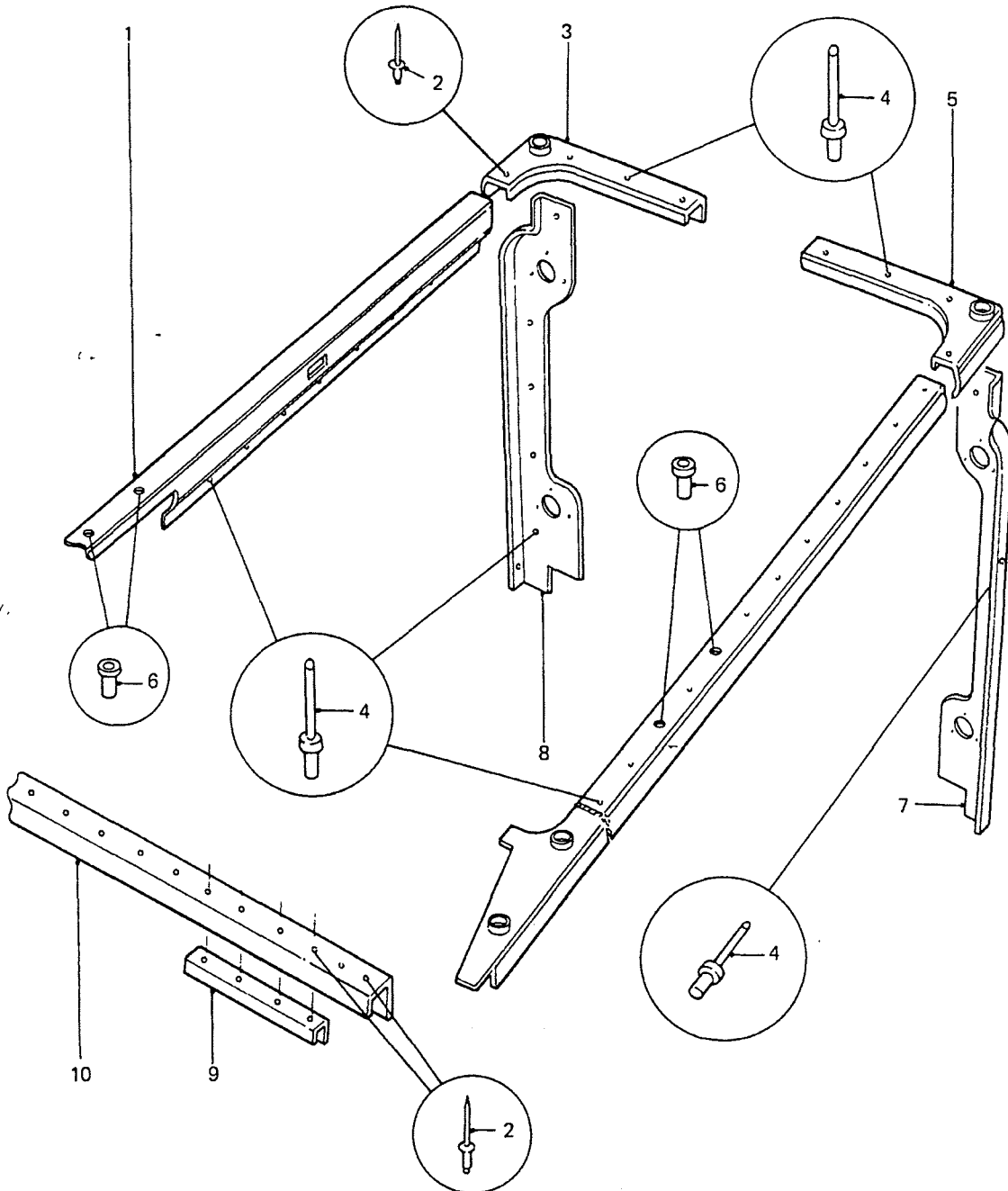
<u>ITEM</u>	<u>PART NO.</u>	<u>DESCRIPTION</u>	<u>NSN</u>	<u>DERIVATIVE CODE</u>							<u>CP</u>	
				<u>2188</u>	<u>2189</u>	<u>2190</u>	<u>2191</u>	<u>2192</u>	<u>2194</u>	<u>2195</u>		
19	AFU1350	MONOBOLT	5320-66-128-4656			8	8					
	MM108301	RIVNUT-CAPPINGS	5310-99-772-5133			4	4					
	R78248	POP RIVET-CAPPINGS	5320-99-970-3518			74	74					
	NN108011L	NUTSERT-CAPPINGS	5310-99-122-7705			18	18					

CHANGE POINT

ARN INTRODUCTION

- 1 50-271 SOFT TOP FFR
- 2 EARLIER TYPE CAPPINGS ARE SERVICED BY ONE PIECE TOP CAPPINGS

GROUP SQA/3



**REAR BODY LOWER – CAPPINGS
HARD TOP SURVEY ONLY**

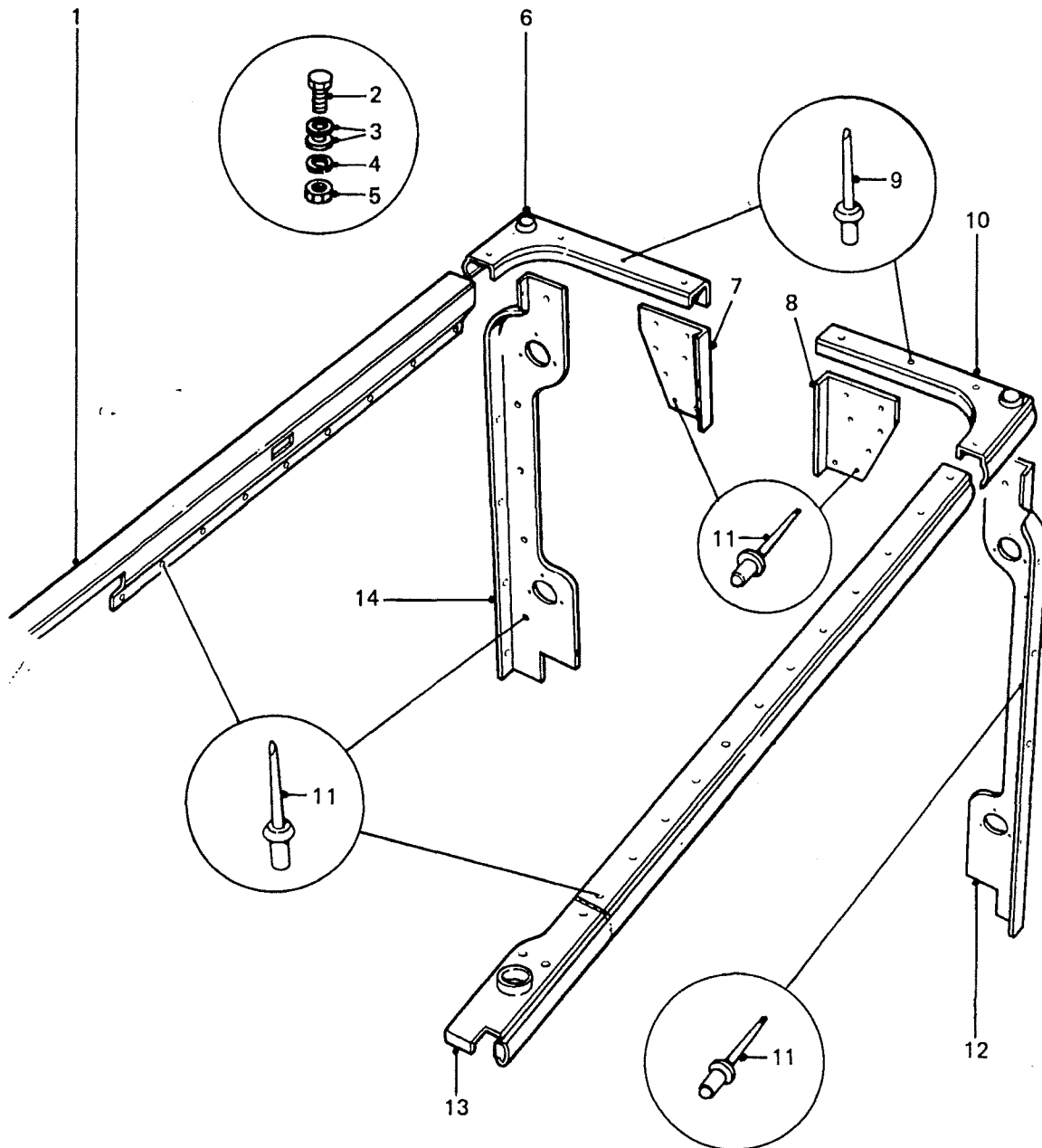
PERENTIE LAND ROVER PARTS LIST

ITEM	PART NO.	DESCRIPTION	NSN	DERIVATIVE CODE												
				2188	2189	2190	2191	2192	2194	2195	2207	CP				
1	HYG5652	CAPPING-BODYSIDE-RH								1						
1	HYG2653	CAPPING-BODYSIDE-LH								1						
2	RU612373L	POP RIVET	5320-99-120-9002							22						
3	RRC6454	CAPPING-REAR CORNER -RH								1						
4	R78248	POP RIVET	5320-99-970-3518							72						
5	RRC6453	CAPPING-REAR CORNER -LH								1						
6	MM108301	RIVNUT	5310-99-772-5133							4						
7	MUC8717	ANGLE-PROTECTION-LH								1						
8	MUC8719	ANGLE-PROTECTION-RH								1						
9	MWC2938	CAPPING-REAR BODY FRONT PANEL								1						
10	R345109	STIFFENER-RH								1						
10	R345110	STIFFENER-LH								1						
	NN106021	NUTSERT-LH WHEELARCH BOX	5310-99-138-4838							2						
	NN108021	NUTSERT-MUDSHIELD TO W/ARCH BOX	5310-66-128-4925							6						

CHANGE POINT

ARN INTRODUCTION

GROUP SQA/4



**REAR BODY LOWER – CAPPINGS
STATION WAGONS ONLY**

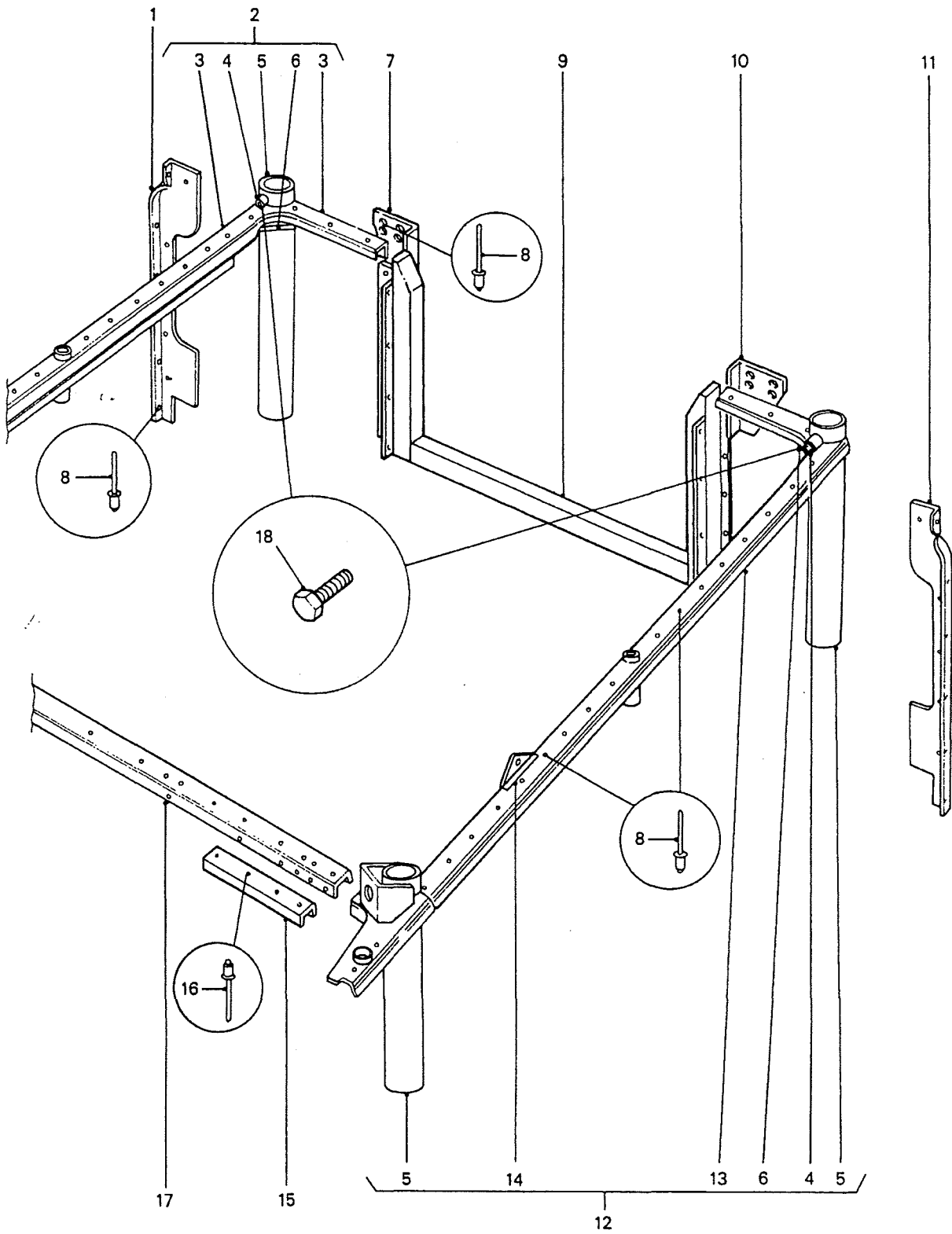
PERENTIE LAND ROVER PARTS LIST

ITEM	PART NO.	DESCRIPTION	NSN	DERIVATIVE CODE								
				2188	2189	2190	2191	2192	2194	2195	2207	CP
1	MWC4662	CAPPING-TOP-RH								1	1	
2	FS106201	SCREW	5305-99-122-5361							2	2	
3	WA106001L	WASHER-PLAIN								4	4	
4	WL106001L	WASHER-LOCK	5310-99-137-9232							2	2	
5	NH106041L	NUT	5310-66-098-4401							2	2	
6	MWC3316	CAPPING CORNER-RH								1	1	
7	MUC9154	BRACKET-CORNER-RH								1	1	
8	MUC9155	BRACKET-CORNER-LH								1	1	
9	RA612373L	POP RIVET	5320-66-128-4635							12	12	
10	MWC3317	CAPPING-CORNER-LH								1	1	
11	R78248	POP RIVET	5320-99-970-3518							66	66	
12	MUC8717	ANGLE-PROTECTION-LH								1	1	
13	MWC4663	CAPPING-TOP-LH								1	1	
14	MUC8716	ANGLE-PROTECTION-RH								1	1	

CHANGE POINT

ARN INTRODUCTION

GROUP SQA/5



**REAR BODY LOWER – CAPPINGS
RFSV ONLY**

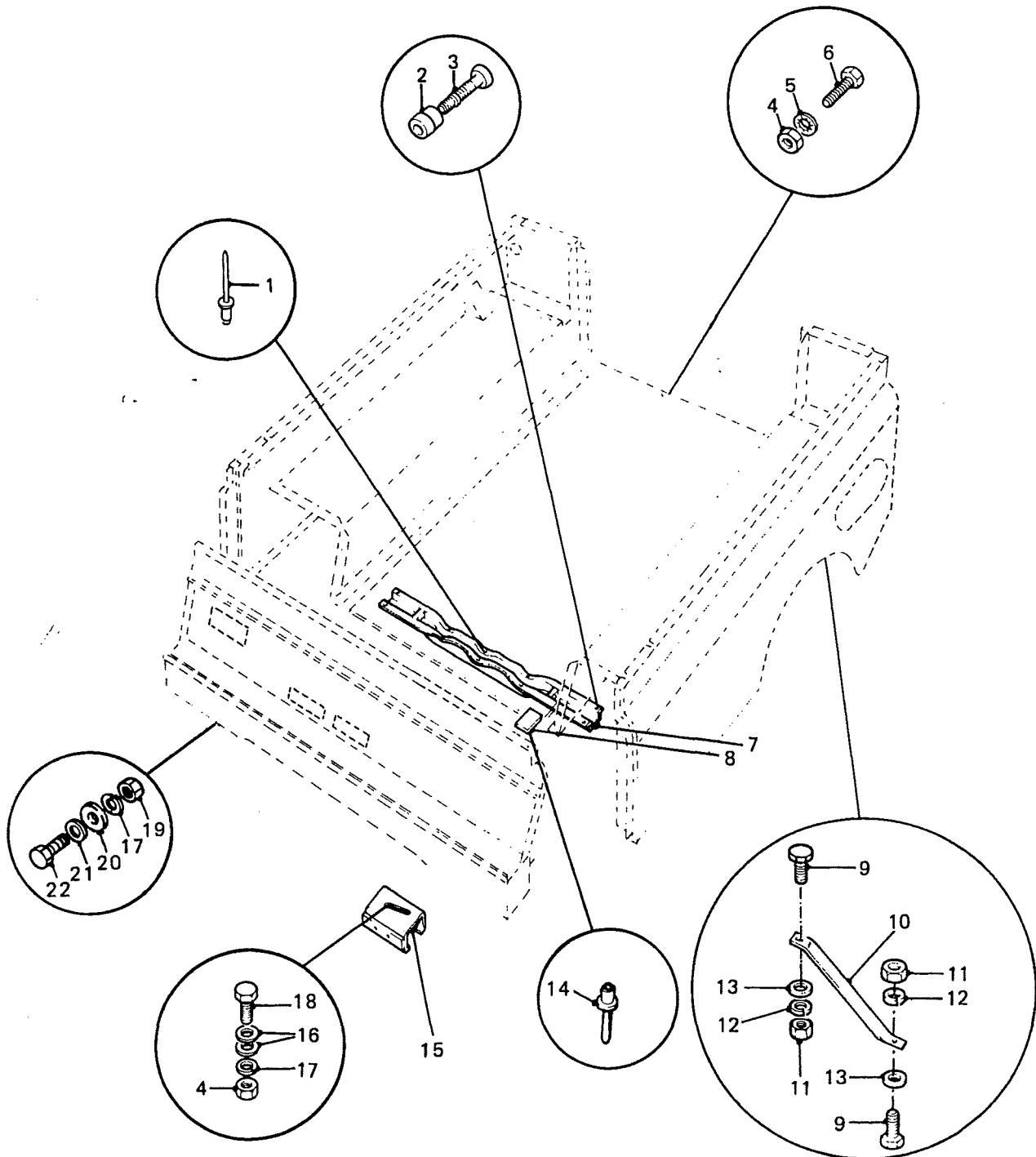
PERENTIE LAND ROVER PARTS LIST

ITEM	SQA/5/1 PART NO.	DESCRIPTION	NSN	DERIVATIVE CODE							CP
				2188	2189	2190	2191	2192	2194	2195	
1	MXC8934	ANGLE-PROTECTION-RH									1
2	HYG5882	CAPPING ASSY-RH									1
3	NSS										
4	NSS										
5	NSS										
6	NSS										
7	MUC9154	BRACKET-REAR CORNER -RH									1
8	R78248	POP RIVET	5320-99-970-3518								74
9	HYG2407	CAPPING-SIDE & TOP									1
10	MUC9155	BRACKET-REAR CORNER -LH									1
11	MXC8935	ANGLE-PROTECTION-LH									1
12	HYG5883	CAPPING-ASSY-LH									1
13	NSS										
14	NSS										
15	R345109	STIFFENER-RH									1
15	R345110	STIFFENER-LH									1
16	RU612373L	POP RIVET	5320-99-120-9002								18
17	HYG4666	CAPPING-PANEL									1
18	FS108301	SCREW									4
	NN108011L	NUTSERT-CAPPINGS	5310-99-122-7705								18
	HYG3709	VALISE-DOCUMENT STORAGE									1
	HYG2652	STRIP-CLAMPING-VALISE TO REAR BODY FRONT CAPPING									1
	RA612373L	POP RIVET	5320-66-128-4635								3

CHANGE POINT

ARN INTRODUCTION

GROUP SQB/1



REAR BODY LOWER – MOUNTINGS – SOFT TOP CARGO VARIANTS

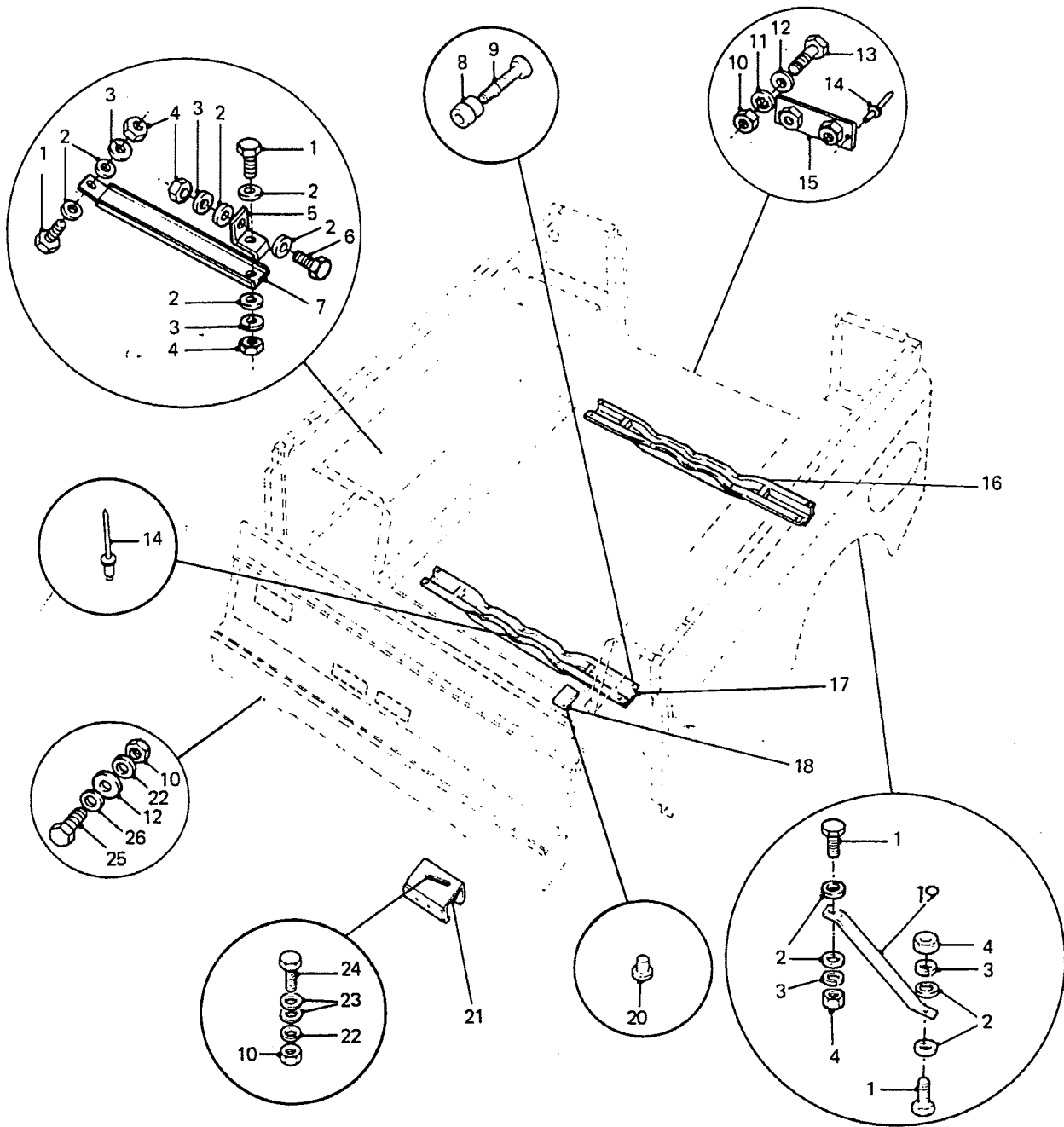
PERENTIE LAND ROVER PARTS LIST

ITEM	PART NO.	DESCRIPTION	NSN	DERIVATIVE CODE									
				2188	2189	2190	2191	2192	2194	2195	2207	CP	
1	R78248	POP RIVET	5320-99-970-3518	36	36	36	36						
2	AAU6774	COLLAR		103	103	103	103						
3	R79281	PIN		2	2	2	2						
3	R79283	PIN		78	78	78	78						
3	R79293	PIN		23	23	23	23						
4	FN108041	NUT	5310-99-499-8033	16	16	16	16						
5	WF600051L	WASHER-LOCK		10	10	10	10						
6	SX108251	BOLT		10	10	10	10						
7	MUC8949	CROSSMEMBER		6	6	6	6						
8	R332582	PAD MOUNTING		12	12	12	12						
9	FS106161	SCREW	5305-99-122-5360	4	4	4	4						
10	MRC6027	STAY-RH		1	1	1	1						
10	MRC6028	STAY-LH		1	1	1	1						
11	NH106041L	NUT	5310-66-098-4401	4	4	4	4						
12	WL106001L	WASHER-LOCK	5310-99-137-9232	4	4	4	4						
13	WA106041L	WASHER-PLAIN	5310-66-098-4440	8	8	8	8						
14	MYH3272	RIVET-POP		24	24	24	24						
15	MTC3046	BRACKET-MOUNTING		2	2	2	2						
16	WA108051L	WASHER-PLAIN	5310-99-122-6475	4	4	4	4						
17	WL106001L	WASHER-LOCK	5310-99-137-9232	10	10	10	10						
18	FS108201	SCREW		2	2	2	2						
19	FN108041	NUT	5310-99-499-8033	8	8	8	8						
20	WC108051L	WASHER-PLAIN		8	8	8	8						
21	AFU1079	WASHER-PLAIN	5310-66-128-4937	8	8	8	8						
22	SH108401L	SCREW	5306-66-097-0722	8	8	8	8						

CHANGE POINT

ARN INTRODUCTION

GROUP SQB/2



REAR BODY LOWER – MOUNTINGS – HARD TOP SURVEY AND RFSV

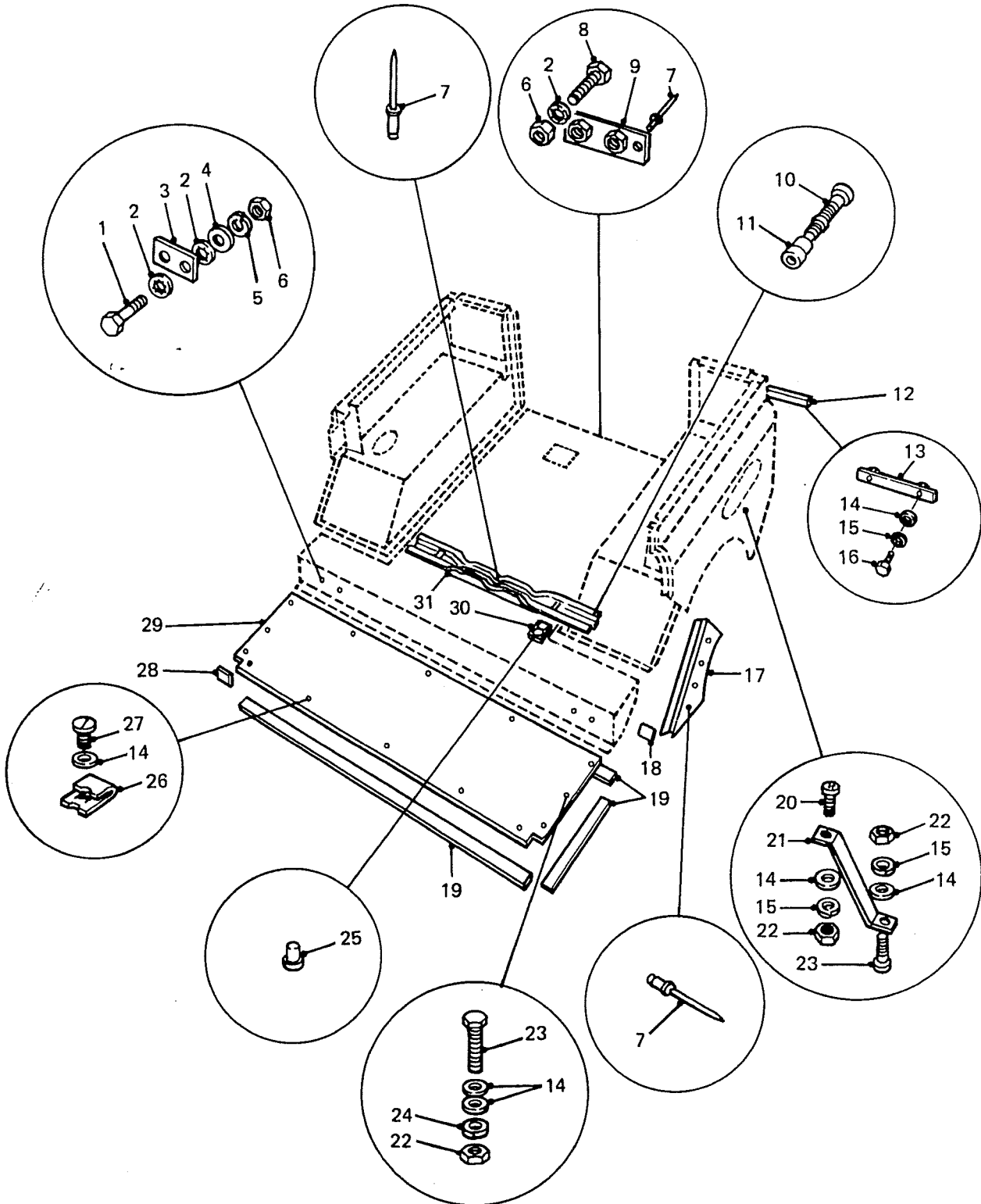
PERENTIE LAND ROVER PARTS LIST

ITEM	PART NO.	DESCRIPTION	NSN	DERIVATIVE CODE							CP
				2188	2189	2190	2191	2192	2194	2195	
1	FS106161	SCREW	5305-99-122-5360					8			8
2	WA106041L	WASHER-PLAIN	5310-66-098-4440					10			10
3	WL106001L	WASHER-LOCK	5310-99-137-9232					9			9
4	NH106041L	NUT	5310-66-098-4401					9			9
5	HYG3374	BRACKET-STAY						2			2
6	FS106201	SCREW	5305-99-122-5361					1			1
7	HYG2759	STAY-REAR BODY						2			2
8	AAU6774	COLLAR						103			103
9	R79281	PIN						2			2
9	R79283	PIN						78			78
9	R79293	PIN						23			23
10	FN108041	NUT	5310-99-499-8033					14			14
11	WF600051L	WASHER-LOCK						10			10
12	WC108051L	WASHER-PLAIN						12			12
13	SX108251	BOLT						10			10
14	R78248	POP RIVET	5320-99-970-3518					36			36
15	MRC8736	NUT PLATE						3			3
16	MUC8949	CROSSMEMBER-REAR						4			4
17	HYG3457	CROSSMEMBER-FRONT						2			2
18	R332582	PAD MOUNTING						12			12
19	NRC6027	STAY-RH						1			1
19	MRC6028	STAY-LH						1			1
20	MYH3272	RIVET-POP						30			30
21	MTC3046	BRACKET-MOUNTING						2			2
22	WL108001L	WASHER-LOCK	5310-99-137-9231					10			10
23	WA108051L	WASHER-PLAIN	5310-99-122-6475					4			4
24	FS108201	SCREW						2			2
25	SH108401L	SCREW	5306-66-097-0722					8			8
26	AFU1079	WASHER-PLAIN	5310-66-128-4937					8			8

CHANGE POINT

ARN INTRODUCTION

GROUP SQB/3

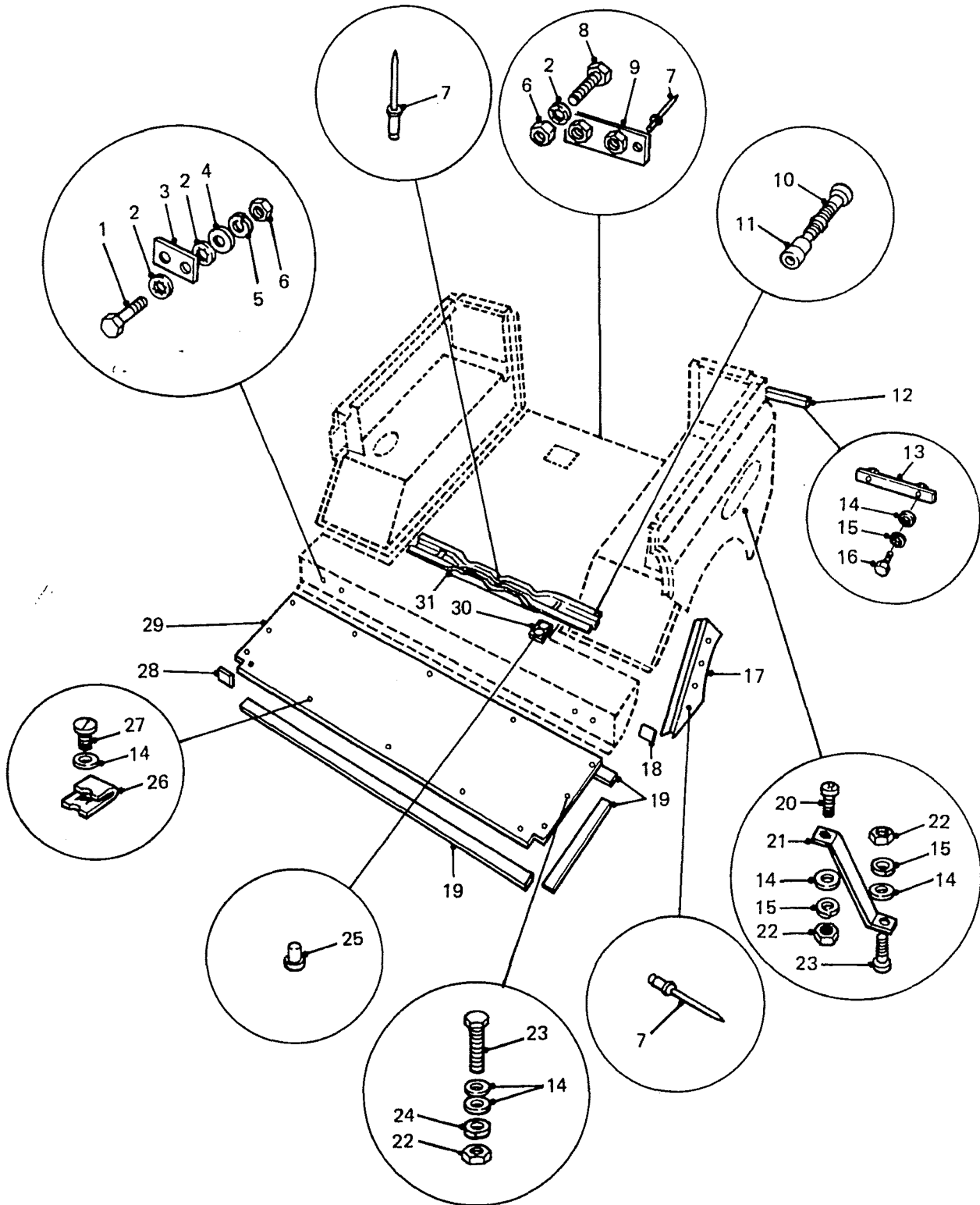


REAR BODY LOWER – MOUNTINGS – STATION WAGONS ONLY

PERENTIE LAND ROVER PARTS LIST

ITEM	PART NO.	DESCRIPTION	NSN	DERIVATIVE CODE								
				2188	2189	2190	2191	2192	2194	2195	2207	CP
1	SH108401L	SCREW	5306-66-097-0722							4	4	
2	WF600051L	WASHER-LOCK								22	22	
3	R305232	SHIM								10	10	
4	AFU1079	WASHER-PLAIN	5310-66-128-4937							4	4	
5	WL108051L	WASHER-LOCK	5310-66-128-5469							4	4	
6	FN108041	NUT	5310-99-499-8033							14	14	
7	R78248	POP RIVET	5320-99-970-3518							52	52	
8	SX108251	BOLT								10	10	
9	MRC8736	NUT PLATE								3	3	
10	R79293	PIN								23	23	
10	R79283	PIN								78	78	
11	R79289	COLLAR								103	103	
12	HYG3114	STRIP-RUBBER	5330-66-128-5190							2	2	
13	HYG3115	PLATE-STRIP								2	2	
14	WA106041L	WASHER-PLAIN	5310-66-098-4440							26	26	
15	WL106001L	WASHER-LOCK	5310-99-137-9232							8	8	
16	SE106251	SCREW	5305-99-135-0442							4	4	
17	MRC6436	PANEL-EXTENSION-RH								1	1	
17	MRC6437	PANEL-EXTENSION-LH								1	1	
18	R333263	SEAL-BODY	5330-99-850-1716							2	2	
19	MRC8626	SEAL	9330-99-721-4452							1	1	
20	FS106201	SCREW	5305-99-122-5361							2	2	
21	MRC6027	STAY-RH								1	1	
21	MRC6028	STAY-LH								1	1	
22	NH106041L	NUT	5310-66-098-4401							10	10	
23	FS106201	SCREW	5305-99-122-5361							8	8	
24	WL106001L	WASHER-LOCK	5310-99-137-9232							6	6	
25	MYH3272	RIVET-POP								16	16	
26	R79246	NUT-SPIRE	5310-99-822-1324							6	6	

GROUP SQB/3



REAR BODY LOWER – MOUNTINGS – STATION WAGONS ONLY

PERENTIE LAND ROVER PARTS LIST

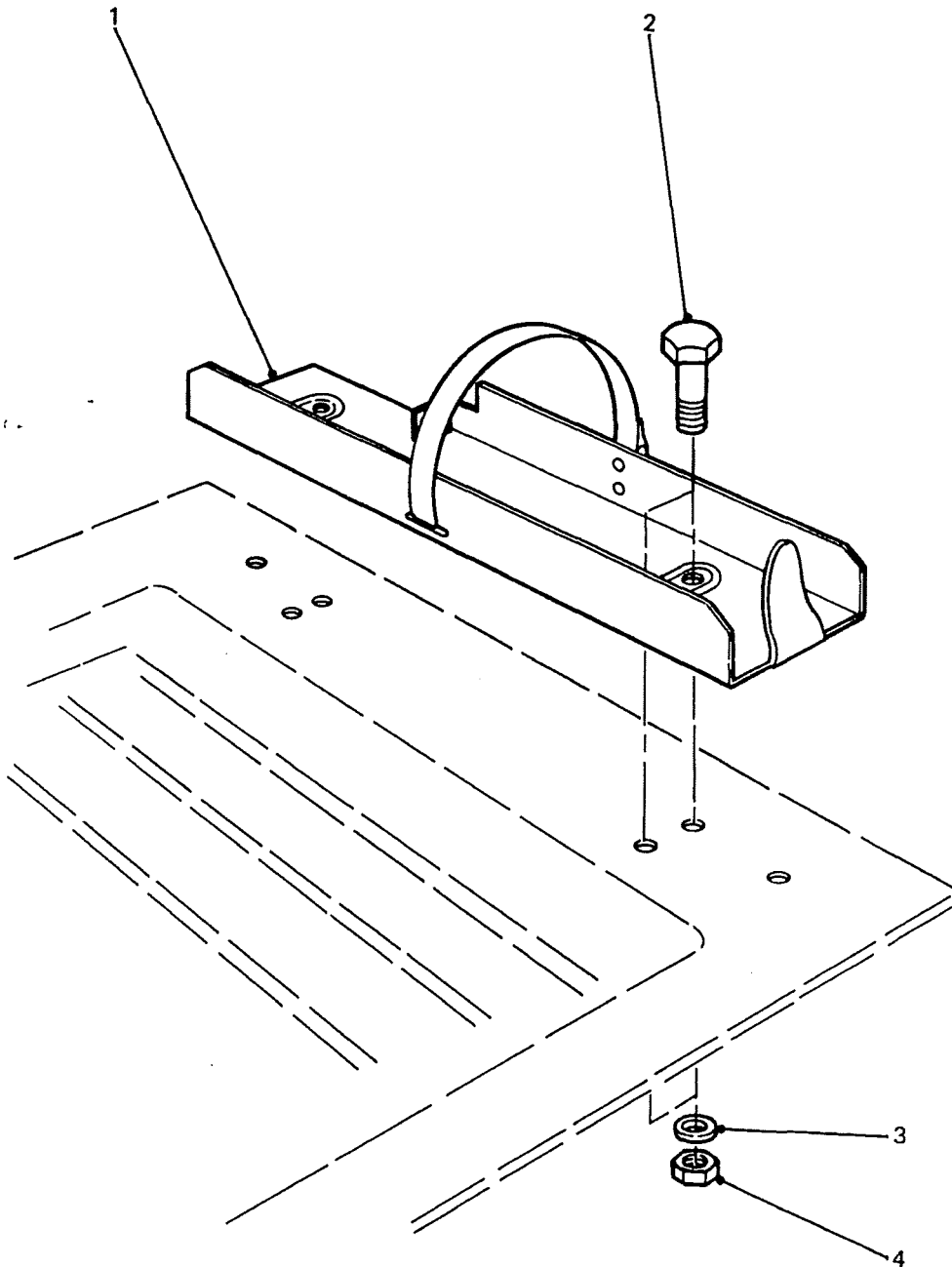
SQB/3/1 REAR BODY LOWER - MOUNTINGS - STATION WAGONS ONLY

ITEM	PART NO.	DESCRIPTION	NSN	DERIVATIVE CODE							CP
				2188	2189	2190	2191	2192	2194	2195	
27	R320045	BOLT	5305-99-123-7828							6	6
28	R333745	SEAL-BODY								2	2
29	HYG3234	FLOOR-INTERMEDIATE								1	1
30	R332582	PAD MOUNTING								8	8
31	MUC8949	CROSSMEMBER								4	4
	FS108201	SCREW-MTG. MEMBER TO CHASSIS								8	8
	WA108051L	WASHER-PLAIN-MTG MEMBER TO CHASSIS	5310-99-122-6475							8	8
	WL108001L	WASHER-LOCK-MTG. MEMBER TO CHASSIS	5310-99-137-9231							8	8
	FN108041	NUT-MTG. MEMBER TO CHASSIS	5310-99-499-8033							8	8

CHANGE POINT

ARN INTRODUCTION

GROUP SQC/1



**FIRE EXTINGUISHER AND WEAPON
MOUNTING BRACKETS
– STATION WAGONS ONLY**

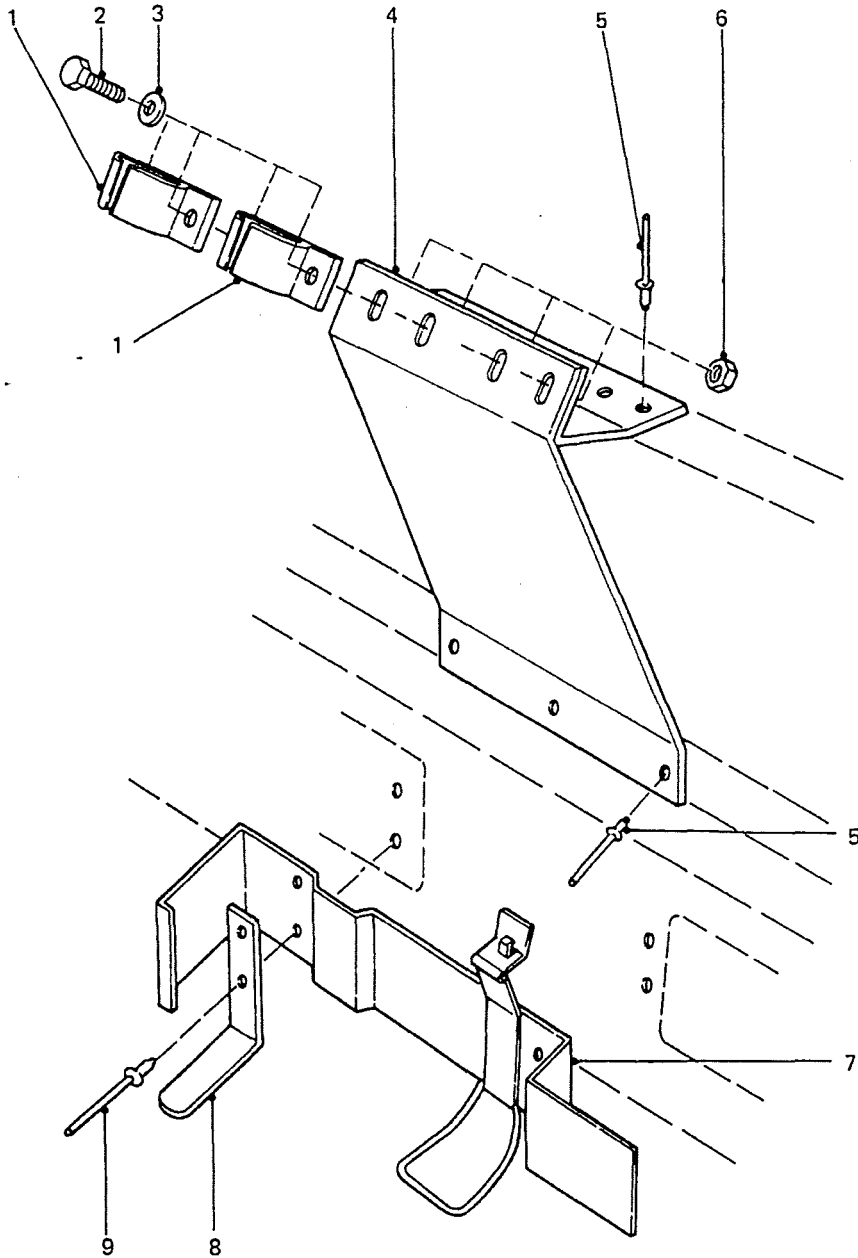
PERENTIE LAND ROVER PARTS LIST

ITEM	SQC/1/1 PART NO.	DESCRIPTION	NSN	DERIVATIVE CODE							CP	
				2188	2189	2190	2191	2192	2194	2195		2207
1	HYG3299	BRACKET-MOUNTING-FIRE EXTINGUISHER	4210-66-128-4842							1	1	
2	FS106201	SCREW	5305-99-122-5361							4	4	
3	WC106041L	WASHER	5310-99-122-6474							4	4	
4	NY106041L	NUT-NYLOC	5310-99-138-8423							4	4	
	AYG8129	FIRE EXTINGUISHER								1	1	
	HYG3413	BRACKET-WEAPON CLIP TO SEATBELT								1		
	FS106161	SCREW-BRKT TO SEATBASE TOE PANEL	5305-99-122-5360							3		
	WC106041L	WASHER-FLAT								3		
	WL106001L	WASHER-LOCK	5310-99-137-9232							3		
	NH106041L	NUT	5310-66-098-4401							3		
	MYH3386	CATCH-GUN HOLDER	5340-66-128-5350							2		
	SE105201L	SCREW-GUN CATCH TO BRKT	5305-66-128-4766							4		
	WC105001L	WASHER-PLAIN								8		
	NY105041L	NUT-NYLOC								4		

CHANGE POINT

ARN INTRODUCTION

GROUP SQC/2



**FIRE EXTINGUISHER AND WEAPON
MOUNTING BRACKETS
– EXCEPT STATION WAGONS**

PERENTIE LAND ROVER PARTS LIST

SQC/2/1

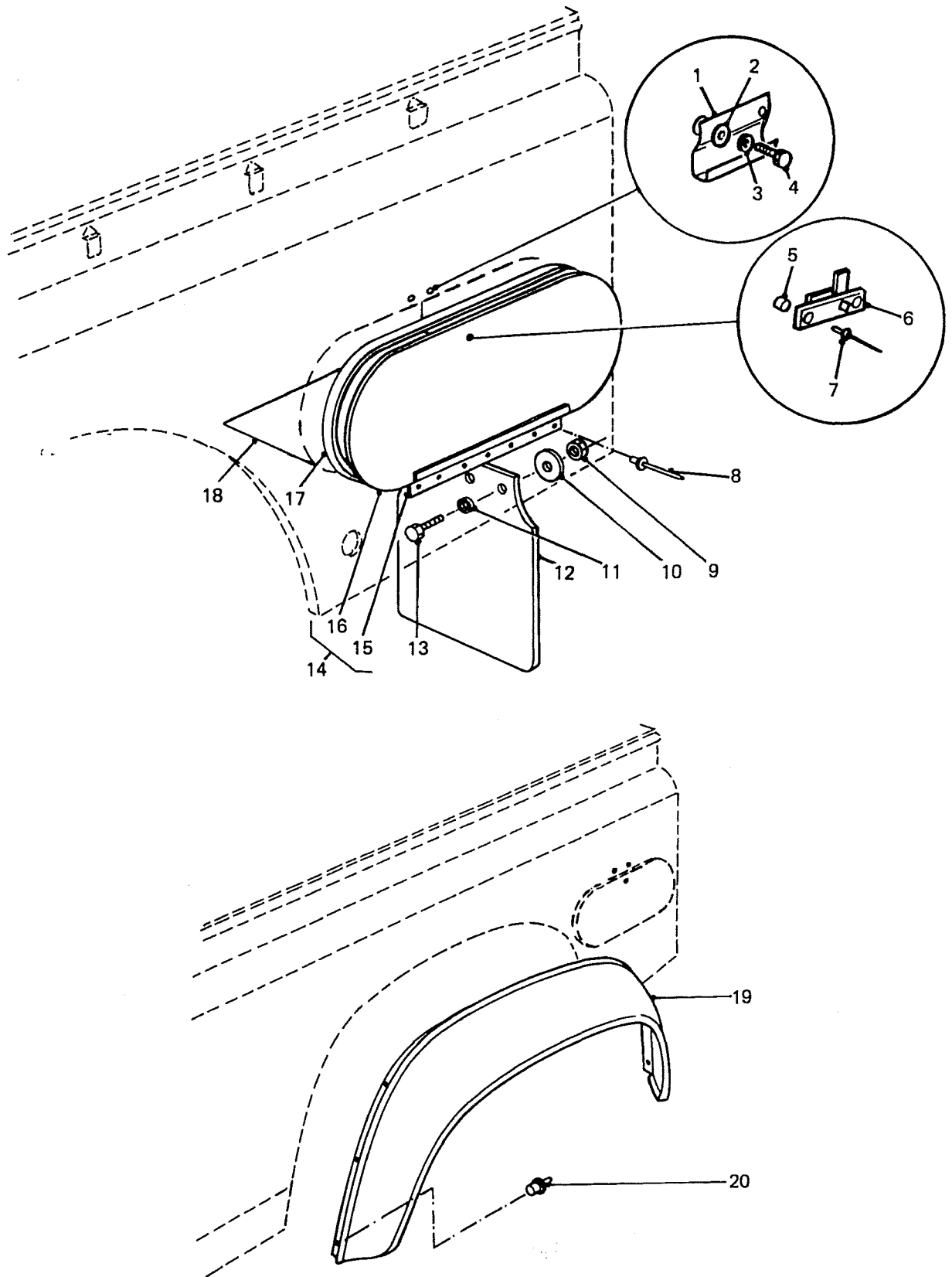
FIRE EXTINGUISHER AND WEAPON MOUNTING BRACKETS - EXC. S/WAGONS

ITEM	PART NO.	DESCRIPTION	NSN	DERIVATIVE CODE							CP
				2188	2189	2190	2191	2192	2194	2195	
1	MYH3386	CATCH-WEAPON	5340-66-128-5350	2	2	2	2	2		2	
2	SE105201L	SCREW	5305-66-128-4766	4	4	4	4	4		4	
3	WC105001L	WASHER-PLAIN	5310-99-122-3032	8	8	8	8	8		8	
4	HYG3410	BRACKET-MOUNTING	5340-66-128-5382	1	1	1	1	1		1	
5	RA612253L	POP RIVET	5320-66-128-5117	6	6	6	6	6		6	
6	NY105041L	NUT		4	4	4	4	4		4	
7	HYG3299	BRACKET-MOUNTING-FIRE EXTINGUISHER	4210-66-128-4842	1	1	1	1	1		1	
8	HYG3529	BRACKET-SUPPORT		1	1	1	1	1		1	
9	RU612373L	POP RIVET	5320-99-120-9002	4	4	4	4	4		4	
10	AYG8129	FIRE EXTINGUISHER		1	1	1	1	1		1	

CHANGE POINT

ARN INTRODUCTION

GROUP SQD



**REAR MUD FLAP, TOOL BOX AND
WHEEL ARCH TRIM**

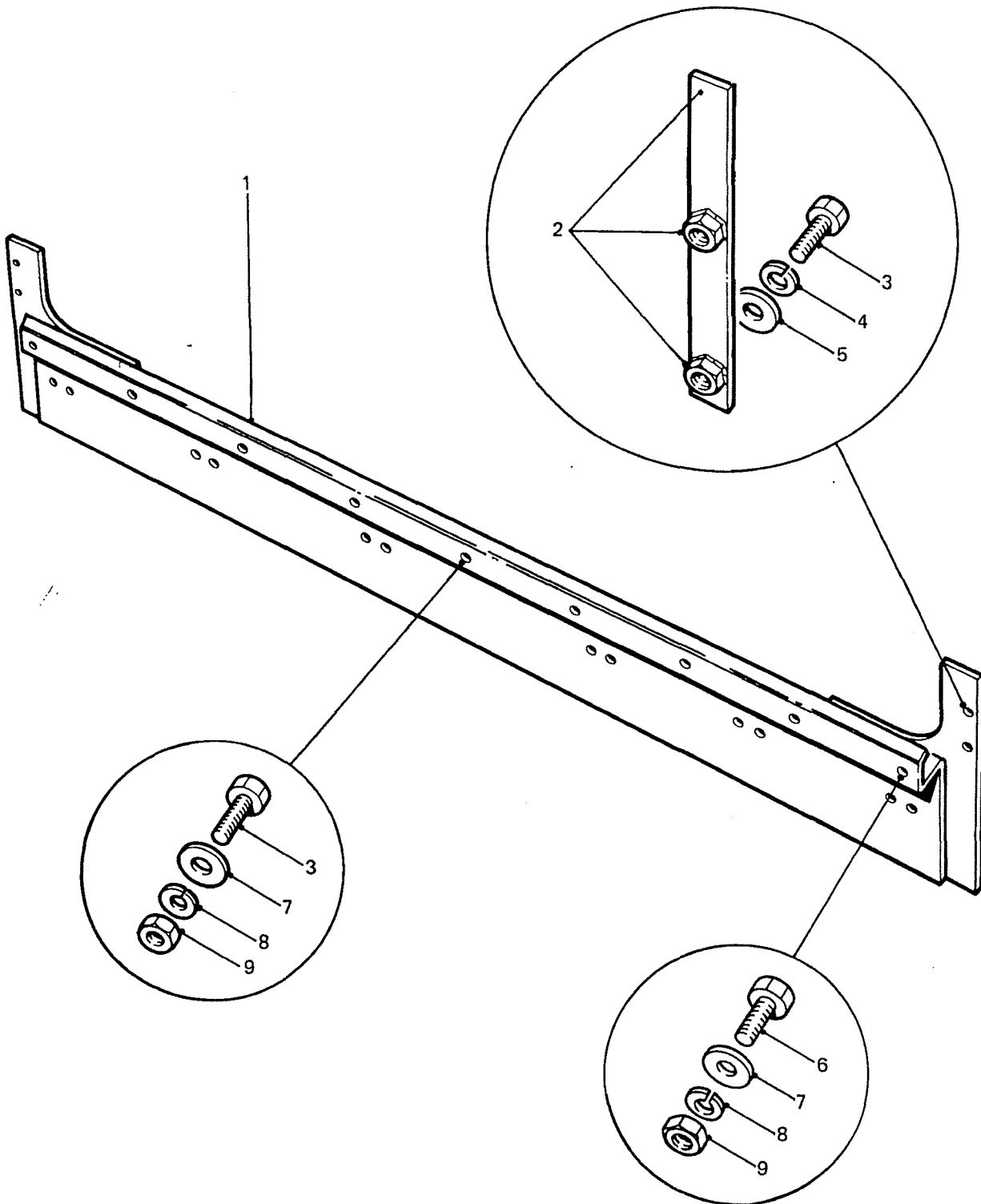
PERENTIE LAND ROVER PARTS LIST

ITEM	PART NO.	DESCRIPTION	NSN	DERIVATIVE CODE								CP
				2188	2189	2190	2191	2192	2194	2195	2207	
1	HYG2930	STRIKER-LOCK	2540-66-128-5218	2	2	2	2	2	2	2	2	2
2	WJ105001L	WASHER-PLAIN	5310-66-128-4726	4	4	4	4	4	4	4	4	4
3	WL105001L	WASHER-LOCK	5310-99-977-1102	4	4	4	4	4	4	4	4	4
4	SE105121L	SCREW	5305-99-135-0429	4	4	4	4	4	4	4	4	4
5	MYH3326	SEAL-DUST	5330-66-128-5191	2	2	2	2	2	2	2	2	2
6	HYG3080	LATCH-DOOR	2540-66-128-5165	2	2	2	2	2	2	2	2	2
7	AFU1298	MONOBOLT	5320-66-128-5186	4	4	4	4	4	4	4	4	4
8	R78248	POP RIVET	5320-99-970-3518	14	14	14	14	14	14	14	14	14
9	NY106041L	NUT-NYLOC	5310-99-138-8423	6	6	6	6	6	6	6	6	6
10	AFU1069	WASHER-PLAIN	5310-66-128-4934	6	6	6	6	6	6	6	6	6
11	WA106041L	WASHER-PLAIN	5310-66-098-4440	6	6	6	6					6
11	WJ106001L	WASHER-PLAIN	5310-66-128-4699					6	6	6		
12	BTR277	MUDFLAP	2540-66-128-6102	2	2	2	2	2	2	2	2	2
13	SH106251L	SCREW	5305-99-122-5362	6	6	6	6	6	6	6	6	6
14	HYG3078	DOOR-TOOLBOX	2540-66-128-5167	2	2	2	2	2	2	2	2	2
15	HYG2327	HINGE-TOOLBOX	5340-66-128-4696	2	2	2	2	2	2	2	2	2
16	NSS											
17	HYL9997	SEAL	5330-66-128-4649	2	2	2	2	2	2	2	2	2
18	HYG2360	FLOOR-TOOLBOX		2	2	2	2	2	2	2	2	2
19	MRC8420	MOULDING	2510-99-797-6084	2	2	2	2	2	2	2	2	2
20	AFU1075	PLASTIC RIVET	5320-99-740-0798	24	24	24	24	24	24	24	24	24
21	HYG3236	SPRING-MUD FLAP RETENTION	5360-66-128-5360					2	2	2		
	MYH5328/50	SEAL-RUBBER-TOOL BOX		2	2	2	2	2	2	2	2	2
	HYG2732	BRACKET-STOWAGE-JACK		1	1	1	1	1	1	1	1	1
	RA612253L	POP RIVET-BRKT TO W/ARCH BOX	5320-66-128-5117	2	2	2	2	2	2	2	2	2

CHANGE POINT

ARN INTRODUCTION

GROUP SQE



**REAR BODY LOWER – TOE PANEL
– STATION WAGONS ONLY**

PERENTIE LAND ROVER PARTS LIST

SQE/1/1

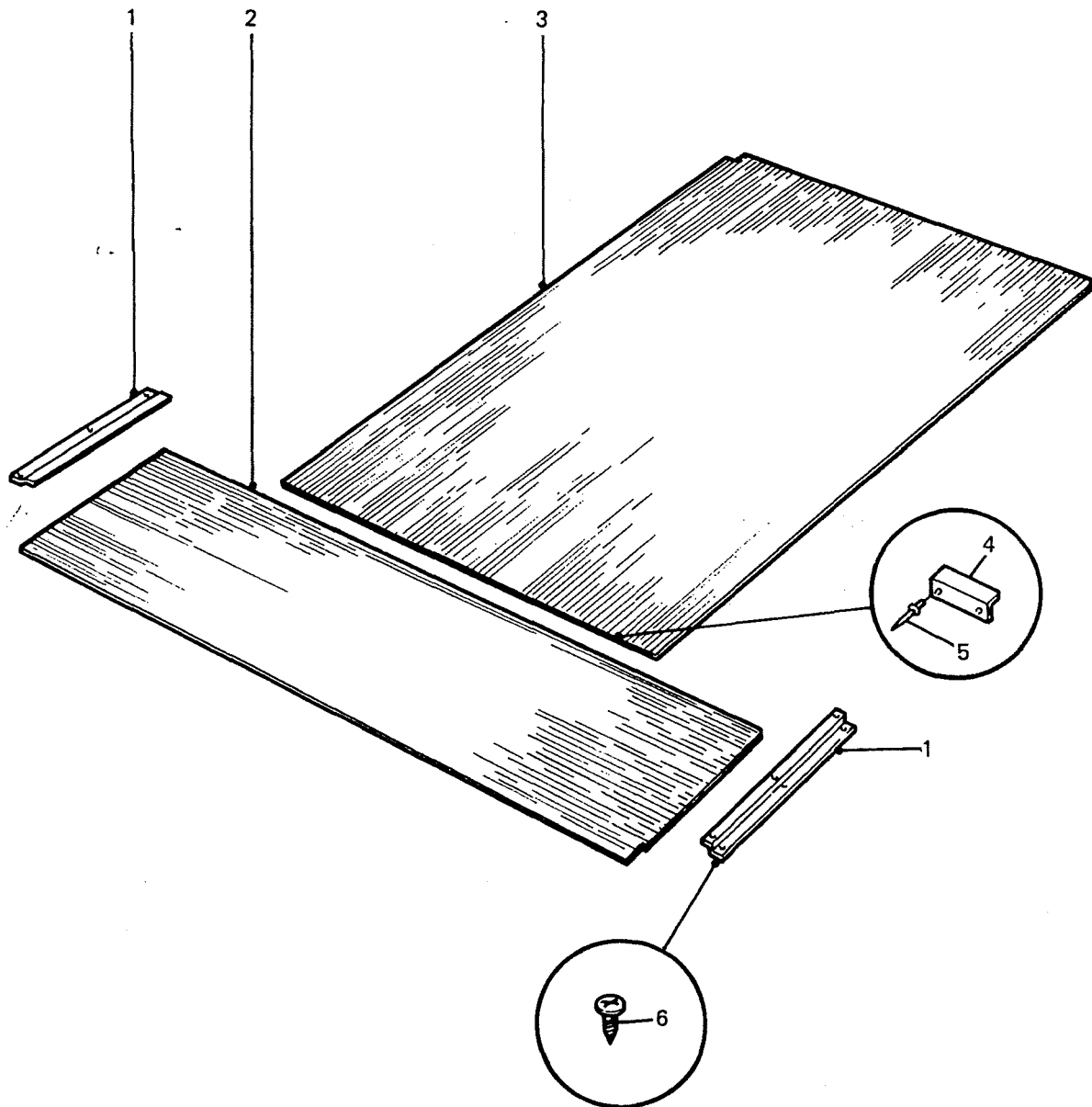
REAR BODY LOWER-TOE PANEL - STATION WAGONS ONLY

<u>ITEM</u>	<u>PART NO.</u>	<u>DESCRIPTION</u>	<u>NSN</u>	<u>DERIVATIVE CODE</u>							<u>CP</u>
				<u>2188</u>	<u>2189</u>	<u>2190</u>	<u>2191</u>	<u>2192</u>	<u>2194</u>	<u>2195</u>	
1	HYG3231	TOE PANEL ASSY							1	1	
2	MRC9388	NUT PLATE-TOE PANEL							2	2	
3	FS106161	SCREW	5305-99-122-5360						11	11	
4	WM106001	WASHER-LOCK							4	4	
5	WC106041L	WASHER							4	4	
6	FS106201	SCREW	5305-99-122-5361						2	2	
7	MRC5525	WASHER-PLAIN	5310-99-754-3600						9	9	
8	WM600051L	WASHER-LOCK	5310-66-016-5980						9	9	
9	NH106041L	NUT	5310-66-098-4401						9	9	

CHANGE POINT

ARN INTRODUCTION

GROUP SQF



**INTERMEDIATE AND REAR FLOOR MATS
– STATION WAGONS ONLY**

PERENTIE LAND ROVER PARTS LIST

SQF/1/1

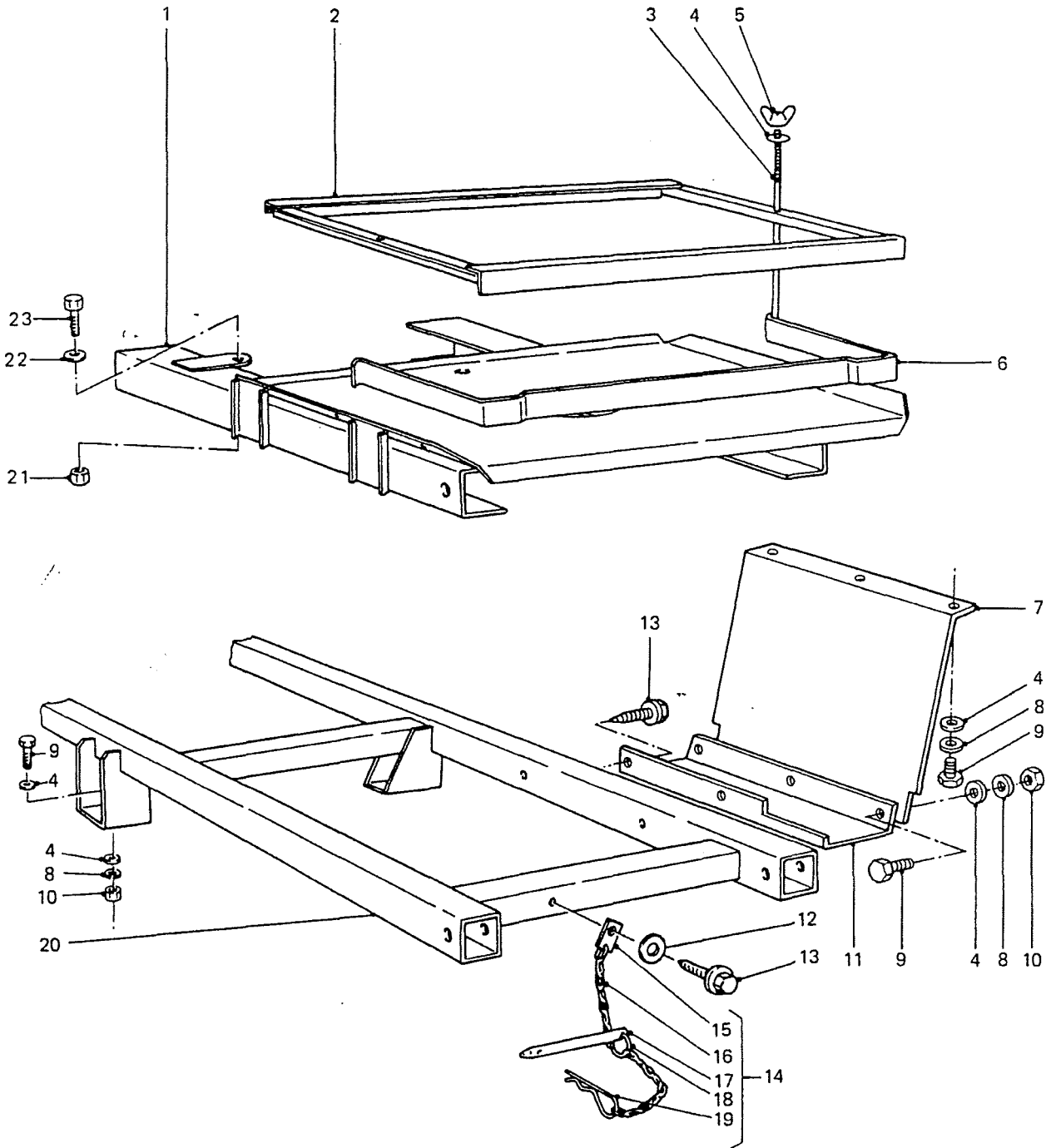
INTERMEDIATE AND REAR FLOOR MATS - STATION WAGONS ONLY

<u>ITEM</u>	<u>PART NO.</u>	<u>DESCRIPTION</u>	<u>NSN</u>	<u>DERIVATIVE CODE</u>							
				<u>2188</u>	<u>2189</u>	<u>2190</u>	<u>2191</u>	<u>2192</u>	<u>2194</u>	<u>2195</u>	<u>2207</u>
1	R331480	RETAINER								2	2
2	R331481	FLOOR MAT	2540-99-845-0158							1	1
3	R331670	MAT	2540-99-845-0159							1	1
4	R336780	RETAINER-RH								1	1
4	R336781	RETAINER-LH								1	1
5	R78248	POP RIVET	5320-99-970-3518							4	4
6	AB606041L	SCREW	5305-99-950-4416							6	6

CHANGE POINT

ARN INTRODUCTION

GROUP SQG/1



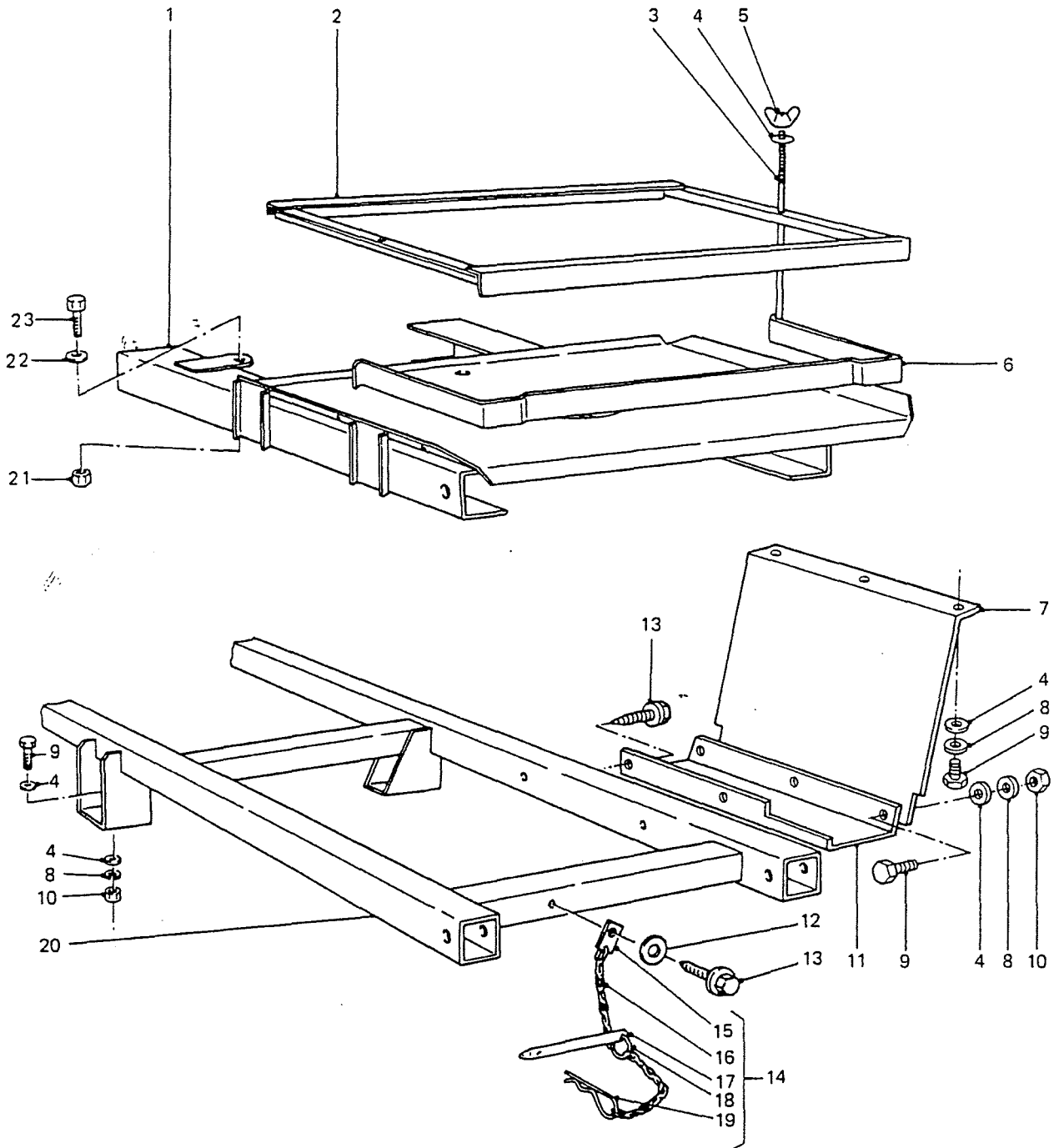
**BATTERY CARRIER
– FFR VARIANTS ONLY**

PERENTIE LAND ROVER PARTS LIST

SQG/1/1 BATTERY CARRIER - FFR VARIANTS ONLY

ITEM	PART NO.	DESCRIPTION	NSN	DERIVATIVE CODE							CP
				2188	2189	2190	2191	2192	2194	2195	
1	AYG9888	TRAY-BATTERY-RH				1	1				
1	AYG9887	TRAY-BATTERY-LH				1	1	1			1
2	AYG9733	CLAMP-BATTERY				2	2	2			1
3	AYG9734	BOLT-J-CLAMP				4	4	4			2
4	WA108051L	WASHER-PLAIN	5310-99-122-6475			16	16	28			2
5	NA108011	NUT-WING	5310-66-128-5340			4	4	4			2
6	AYG9737	STRAP-BATTERY				2	2	2			1
7	HYG2425	MUDSHIELD-RADIO BATTERIES						2			
8	WL108001L	WASHER-LOCK	5310-99-137-9231					16			
9	FS108201	SCREW						16			
10	FN108041	NUT	5310-99-499-8033					10			
11	AYG9890	SUPPORT-MUDSHIELD-RH						1			
11	AYG9891	SUPPORT-MUDSHIELD-LH						1			
12	WA106041L	WASHER-PLAIN	5310-66-098-4440			4	4	4			2
13	MYH3337	SCREW	5305-66-128-5341			4	4	8			2
14	AYG9879	CHAIN/PIN	4010-66-128-5342			2	2	2			2
15	NSS										
16	NSS										
17	NSS										
18	NSS										
19	NSS	R CLIP									
20	AYG9889	FRAME-BATTERY				1	1	1			1
21	NY110041L	NUT-NYLOC	5310-99-122-5497			2	2	2			1
22	WC110061L	WASHER-PLAIN	5310-66-128-4614			2	2	2			1
23	FS110301	SCREW				2	2	2			1
	FS108201	SCREW-FRAME ASSY TO CHASSIS				6	6	6			6
	WA108051L	WASHER-PLAIN	5310-99-122-6475			6	6	6			6
	WL108001L	WASHER-LOCK	5310-99-137-9231			6	6	6			6

GROUP SQG/1



**BATTERY CARRIER
- FFR VARIANTS ONLY**

PERENTIE LAND ROVER PARTS LIST

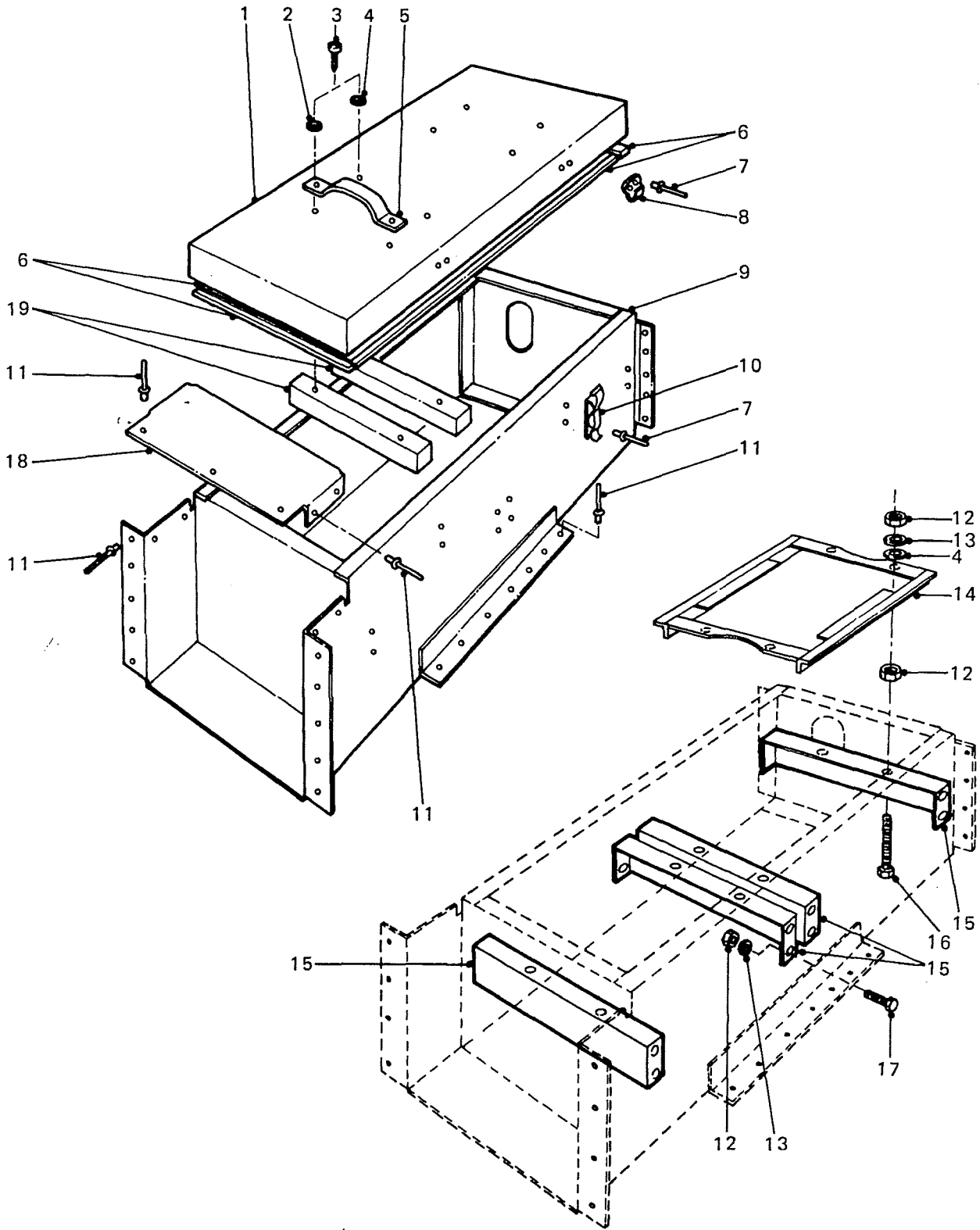
SQG/1/1 BATTERY CARRIER - FFR VARIANTS ONLY

<u>ITEM</u>	<u>PART NO.</u>	<u>DESCRIPTION</u>	<u>NSN</u>	<u>DERIVATIVE CODE</u>								
				<u>2188</u>	<u>2189</u>	<u>2190</u>	<u>2191</u>	<u>2192</u>	<u>2194</u>	<u>2195</u>	<u>2207</u>	<u>CP</u>
	FN108041	NUT	5310-99-499-8033			6	6	6				6

CHANGE POINT

ARN INTRODUCTION

GROUP SQG/2



**BATTERY BOX AND MOUNTINGS
– FFR STATION WAGON**

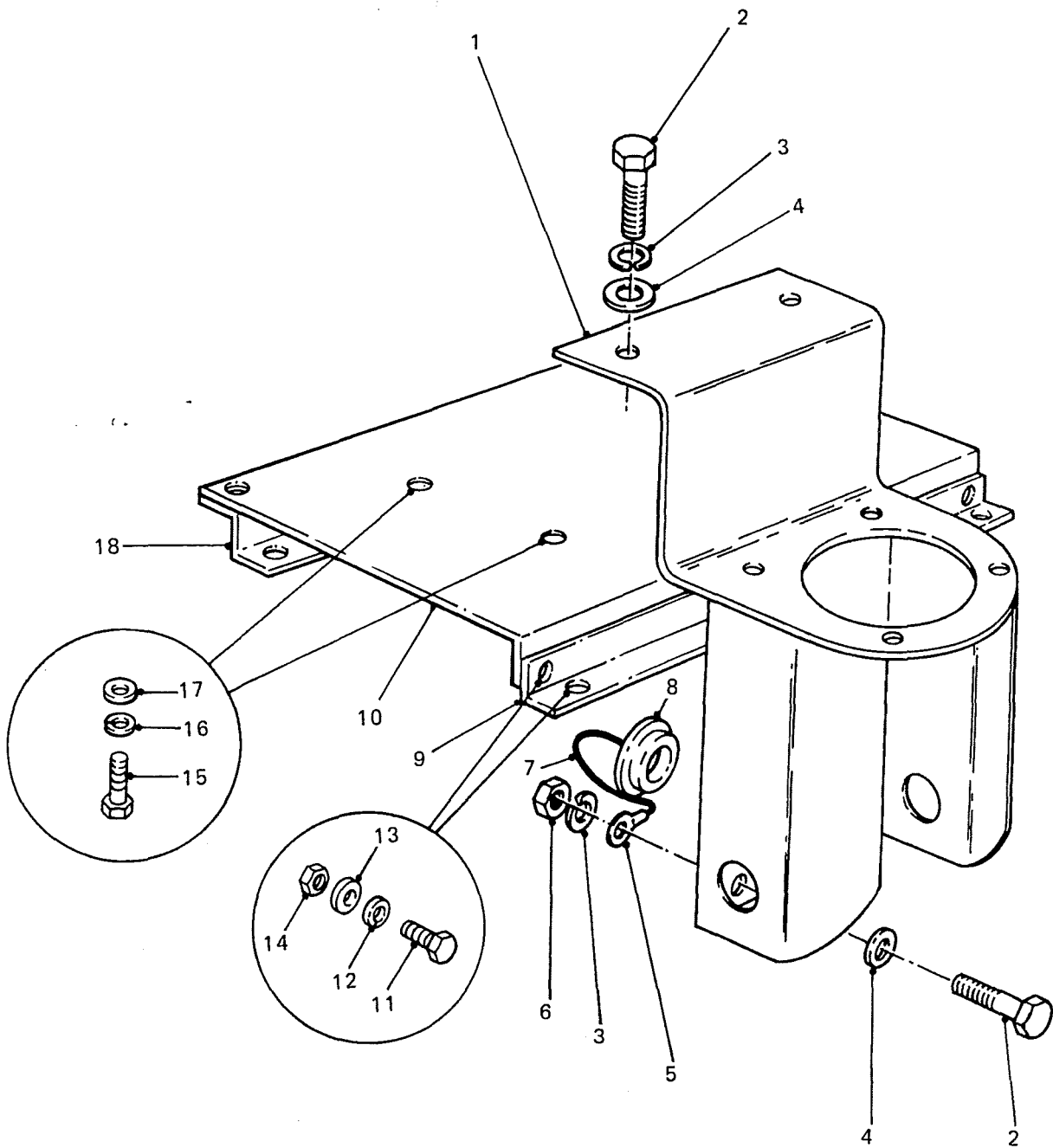
PERENTIE LAND ROVER PARTS LIST

<u>ITEM</u>	<u>PART NO.</u>	<u>DESCRIPTION</u>	<u>NSN</u>	<u>DERIVATIVE CODE</u>							<u>CP</u>
				<u>2188</u>	<u>2189</u>	<u>2190</u>	<u>2191</u>	<u>2192</u>	<u>2194</u>	<u>2195</u>	
1	AYG9809	LID-BATTERY BOX									1
2	MRC5528	WASHER-PLAIN	5310-66-128-4723								4
3	AB614081L	SCREW									8
4	WA106041L	WASHER-PLAIN	5310-66-098-4440								8
5	AYG9812	HANDLE-LID	5340-66-128-5349								2
6	NSS										
7	RU610313L	POP RIVET	5320-66-128-5185								16
8	MYH3277	CATCH									4
9	AYG9810	BOX ASSY-BATTERY									1
10	MYH3276	LATCH BATTERY BOX									4
11	R78248	POP RIVET	5320-99-970-3518								41
12	NH106041L	NUT	5310-66-098-4401								24
13	WL106001L	WASHER-LOCK	5310-99-137-9232								20
14	AYG2917	CLAMP-BATTERY	2540-66-128-5302								2
15	AYG9808	BRACKET-MTG-BATTERY BOX									4
16	SH106801	SCREW	5305-66-128-5362								4
17	FS106161	SCREW	5305-99-122-5360								16
18	NSS										
19	AYG9811	BLOCK-SPACER									4

CHANGE POINT

ARN INTRODUCTION

GROUP SQH



**ANTENNA MOUNTING BRACKETS
– FFR VARIANTS ONLY**

PERENTIE LAND ROVER PARTS LIST

ITEM	PART NO.	DESCRIPTION	NSN	DERIVATIVE CODE										
				2188	2189	2190	2191	2192	2194	2195	2207	CP		
1	HYG1012	BRACKET-MTG-ANTENNA	5985-66-101-0202			4	4	1						
1	HYG3619	BRACKET-MTG-ANTENNA											2	
2	FS108201	SCREW				16	16	4	8					
3	WL108001L	WASHER-LOCK	5310-99-137-9231			16	16	4	8					
4	WA108051L	WASHER-PLAIN	5310-99-122-6475			24	24	8	8					
5	NSS		5940-66-017-9956											
6	FN108041	NUT	5310-99-499-8033			8	8	2	4					
7	NSS													
8	NSS		5325-66-128-5343											
9	HYG3395	ANGLE-BRACKET				1	1							
10	HYG3161	PLATE-MOUNTING				1	1							
11	FS106201	SCREW	5305-99-122-5361			8	8							
12	WL106001L	WASHER-LOCK	5310-99-137-9232			4	4							
13	WJ106001L	WASHER-PLAIN	5310-66-128-4699			8	8							
14	NY106041L	NUT-NYLOC	5310-99-138-8423			4	4							
15	SH105201L	SCREW	5305-66-128-4906			3	3							
16	WL105001L	WASHER-LOCK	5310-99-977-1102			4	4							
17	WC105001L	WASHER PLAIN	5310-99-122-3032			4	4							
18	HYG3394	BRACKET-MTG				1	1							
	HYG3262	GROMMET ASSY (INCL ITEMS 5,7 & 8)	5325-66-128-5344			4	4	1	2					
	FS108201	SCREW				2	2							01
	WC108051L	WASHER-PLAIN				2	2							01
	WL108001L	WASHER-LOCK	5310-99-137-9231			2	2							01

CHANGE POINT

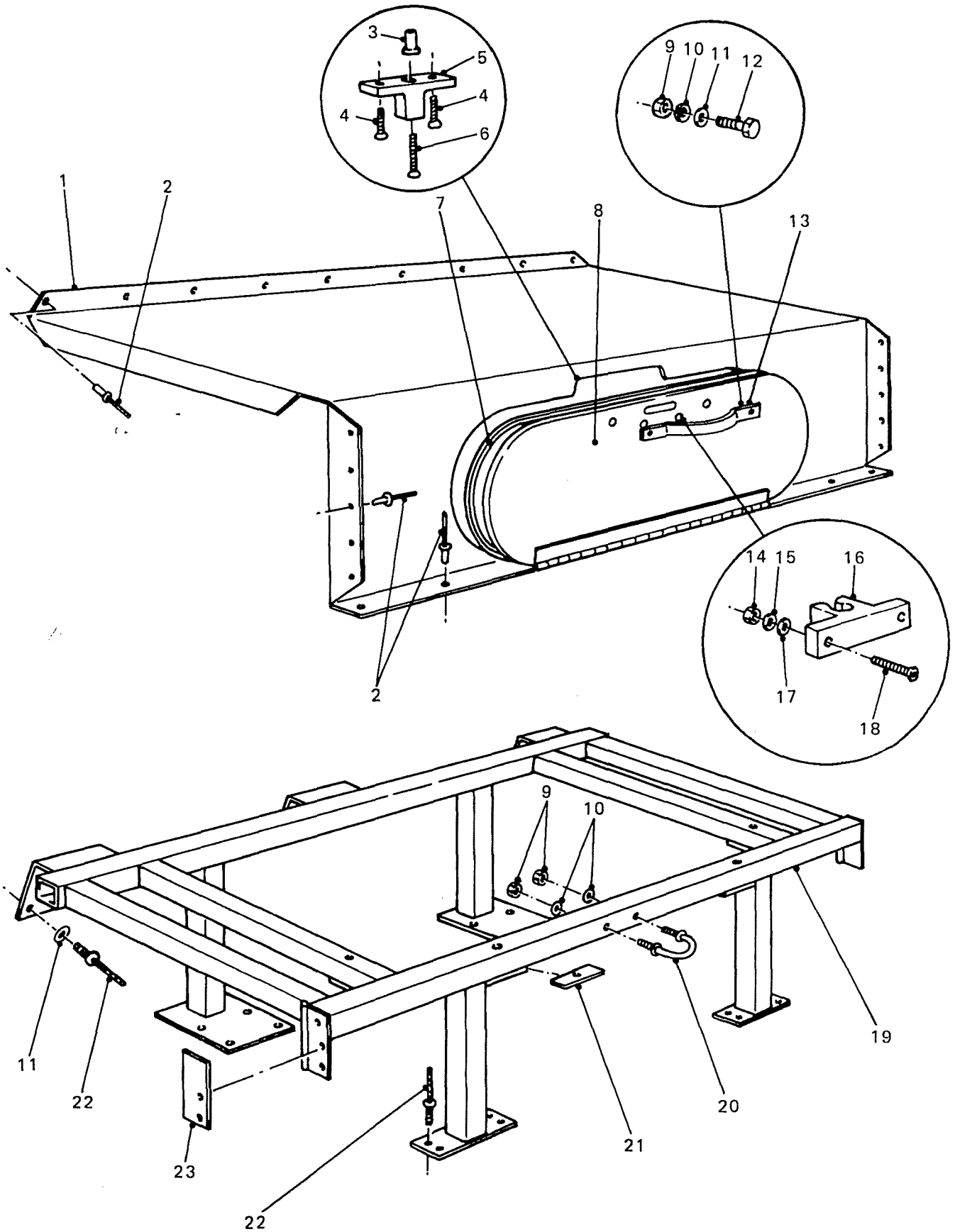
1

ARN INTRODUCTION

UPON DELETION OF ANGLE MTG BRKTS THESE FIXTURES ATTACH DISTRIBUTION BOX
MTG. PLATE TO REAR BODY L.H. BODY SIDE CAPPING. FROM ARN 50-420

Dec 1999

GROUP SQJ

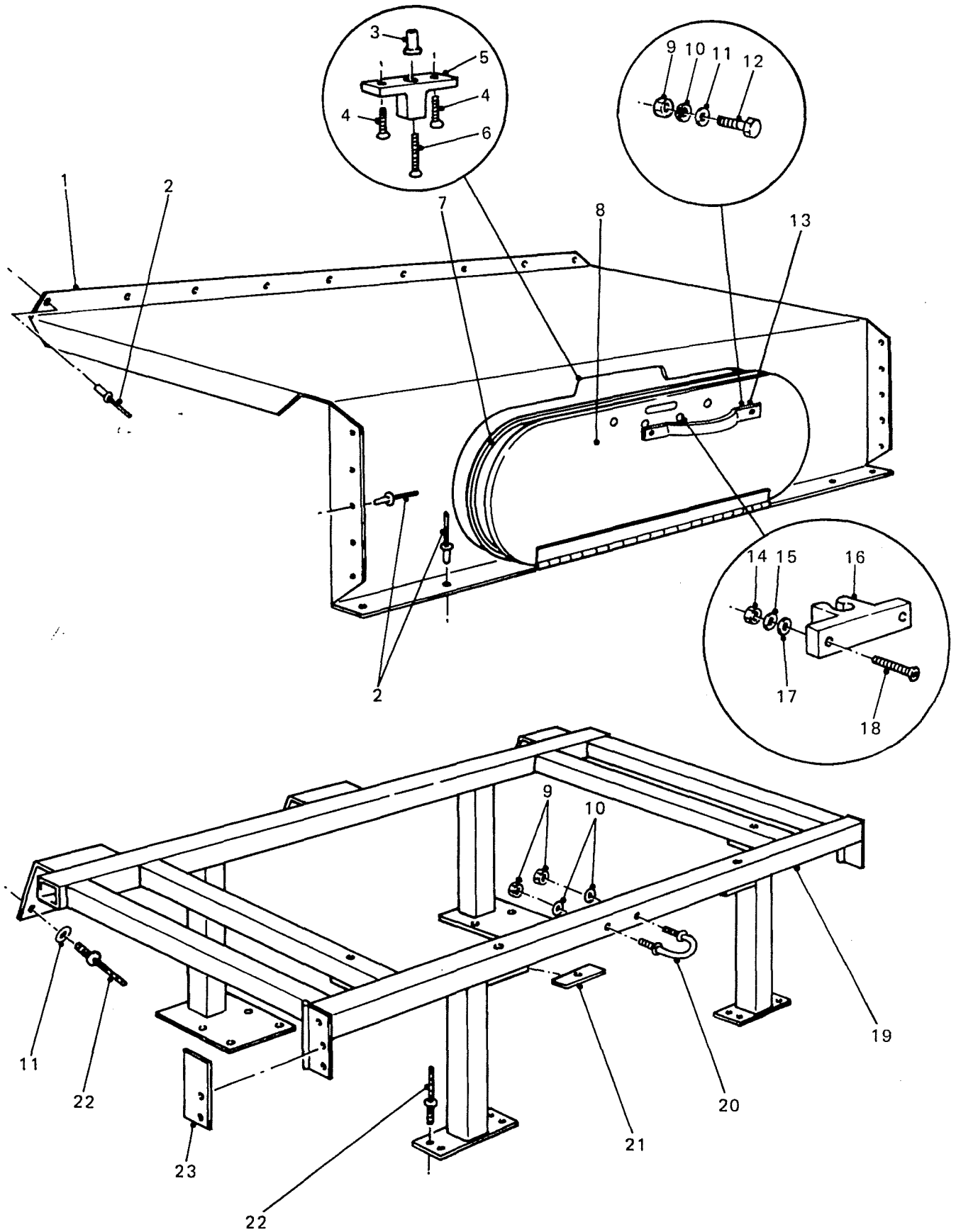


**TABLE FRAME AND COVER
- FFR VARIANTS ONLY**

PERENTIE LAND ROVER PARTS LIST

ITEM	PART NO.	DESCRIPTION	NSN	DERIVATIVE CODE										
				2188	2189	2190	2191	2192	2194	2195	2207	CP		
1	HYG2658	PANEL-LOCKER				1	1	1						
2	RU612373L	POP RIVET	5320-99-120-9002			42	42	39						
3	NN105011	NUTSERT	5310-99-122-7703			1	1	1						
4	SF105501	SCREW	5305-66-128-5345			1	1	1						
5	MYH3271	CATCH-FRAME	5340-66-128-5346			1	1	1						
6	AD606061	SCREW	5305-66-128-5347			2	2	2						
7	MYH5335/1200	SEAL-SECURITY DOOR				1	1	1						
8	HYG2659	DOOR-SECURITY-TABLE-FRAME				1	1	1						
	HYG2327	HINGE-SECURITY DOOR	5340-66-128-4696			1	1	1						
	HYG2661	STIFFENER-SECURITY DOOR				1	1	1						
9	NH106041L	NUT	5310-66-098-4401			4	4	4						
10	WL106001L	WASHER-LOCK	5310-99-137-9232			4	4	4						
11	WJ106001L	WASHER-PLAIN	5310-66-128-4699			8	8	8						
12	SE106161L	SCREW	5305-99-135-0440			2	2	2						
13	AYG9812	HANDLE-LID	5340-66-128-5349			1	1	1						
14	NH105041L	NUT	5310-66-098-4400			2	2	2						
15	WL105001L	WASHER-LOCK	5310-99-977-1102			2	2	2						
16	MYH3386	CATCH-DOOR	5340-66-128-5350			1	1	1						
17	WC105001L	WASHER-PLAIN	5310-99-122-3031			2	2	2						
18	SE105201L	SCREW	5305-66-128-4766			2	2	2						
19	HYG3646	FRAME-TABLE				1	1	1						
20	HYG2662	"U" BOLT ASSY	5306-66-128-5351			1	1	1						
21	HYG3261	PLATE-TAPPED-M8				4	4	4						
22	AFU1350	MONOBOLT	5320-66-128-4656			26	26	26						
23	HYG3265	PACKER				2	2	2						
	HYG5807	TUBE-PACKING-RAVEN FRAME	2540-66-128-6010			2	2							
	FB108101	BOLT-RADIO FRAME TO CAPPING				4	4	4						

GROUP SQJ



**TABLE FRAME AND COVER
- FFR VARIANTS ONLY**

PERENTIE LAND ROVER PARTS LIST

SQJ/1/1

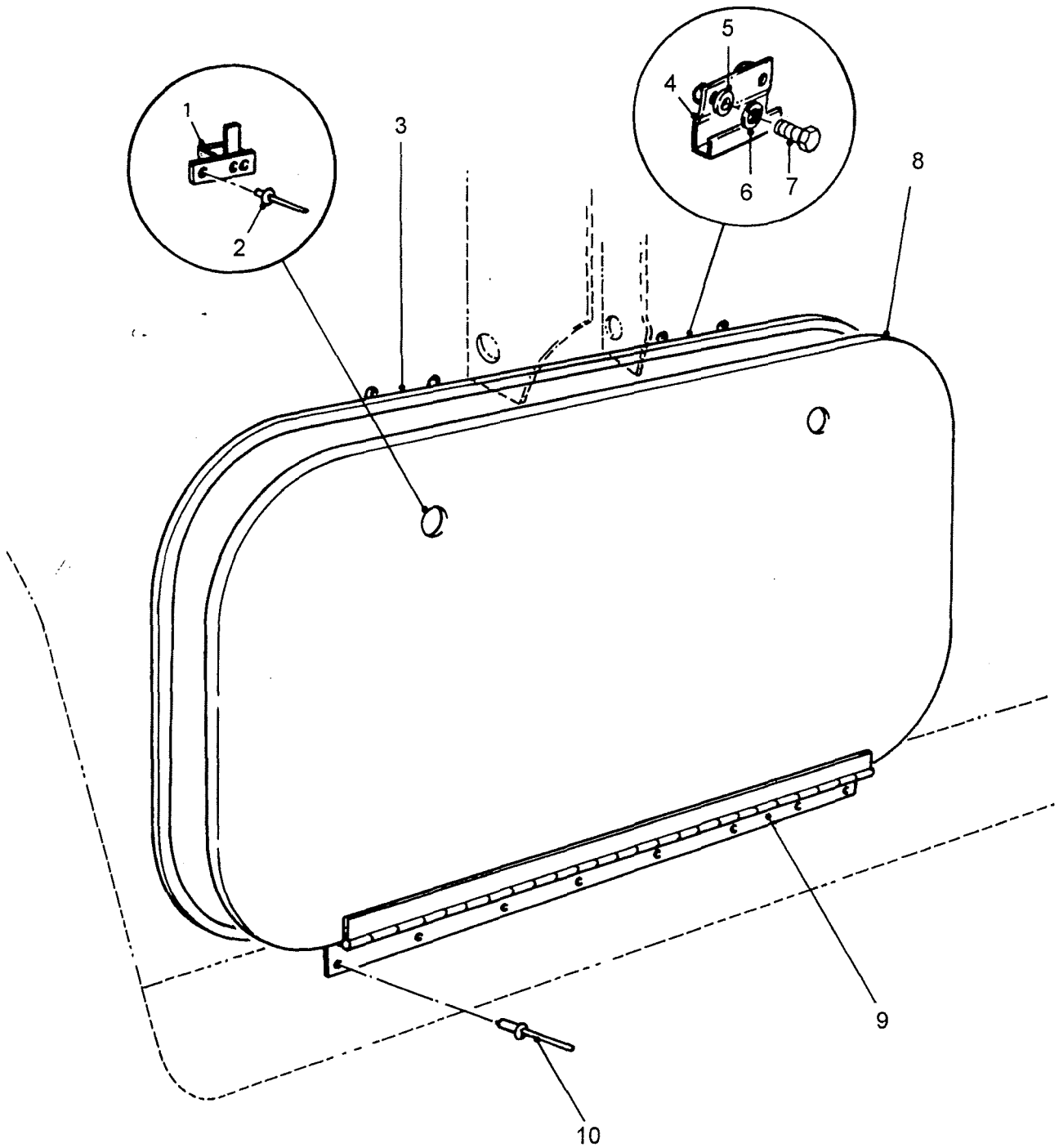
TABLE FRAME AND COVER - FFR VARIANTS ONLY

<u>ITEM</u>	<u>PART NO.</u>	<u>DESCRIPTION</u>	<u>NSN</u>	<u>DERIVATIVE CODE</u>								
				<u>2188</u>	<u>2189</u>	<u>2190</u>	<u>2191</u>	<u>2192</u>	<u>2194</u>	<u>2195</u>	<u>2207</u>	<u>CP</u>
	WA108051L	WASHER-PLAIN	5310-99-122-6475			4	4	4				
	WL108001L	WASHER-LOCK	5310-99-137-9231			4	4	4				
	MYH3337	SCREW-TUBE TO TOP CAPPING	5305-66-128-5341			6	6	6				
	MYH3380	CAPLUG THREAD PLATE PROTECTOR				4	4	4				
	HYG5793	CLAMP-RAVEN FRAME TO REAR BODY	5330-66-128-6011			4	4	4				
	MYH3610	SPRING	5360-66-128-6015			2	2	2				
	WA108051L	WASHER-PLAIN	5310-99-122-6475			2	2	2				
	MYH3611	SCREW	5305-66-128-6012			2	2	2				
	WJ110001	WASHER-PLAIN-CLAMP TO TABLE FRAME	5310-99-785-2434			4	4	4				
	MYH3610	SPRING	5360-66-128-6015			2	2	2				
	WA108051L	WASHER-PLAIN	5310-99-122-6475			2	2	2				
	MYH3612	SCREW	5305-66-128-6013			2	2	2				
	PS104121L	SPLIT PIN	5315-66-128-5104			4	4	4				

CHANGE POINT

ARN INTRODUCTION

GROUP SQK



**BATTERY ACCESS DOOR
– FFR VARIANTS ONLY**

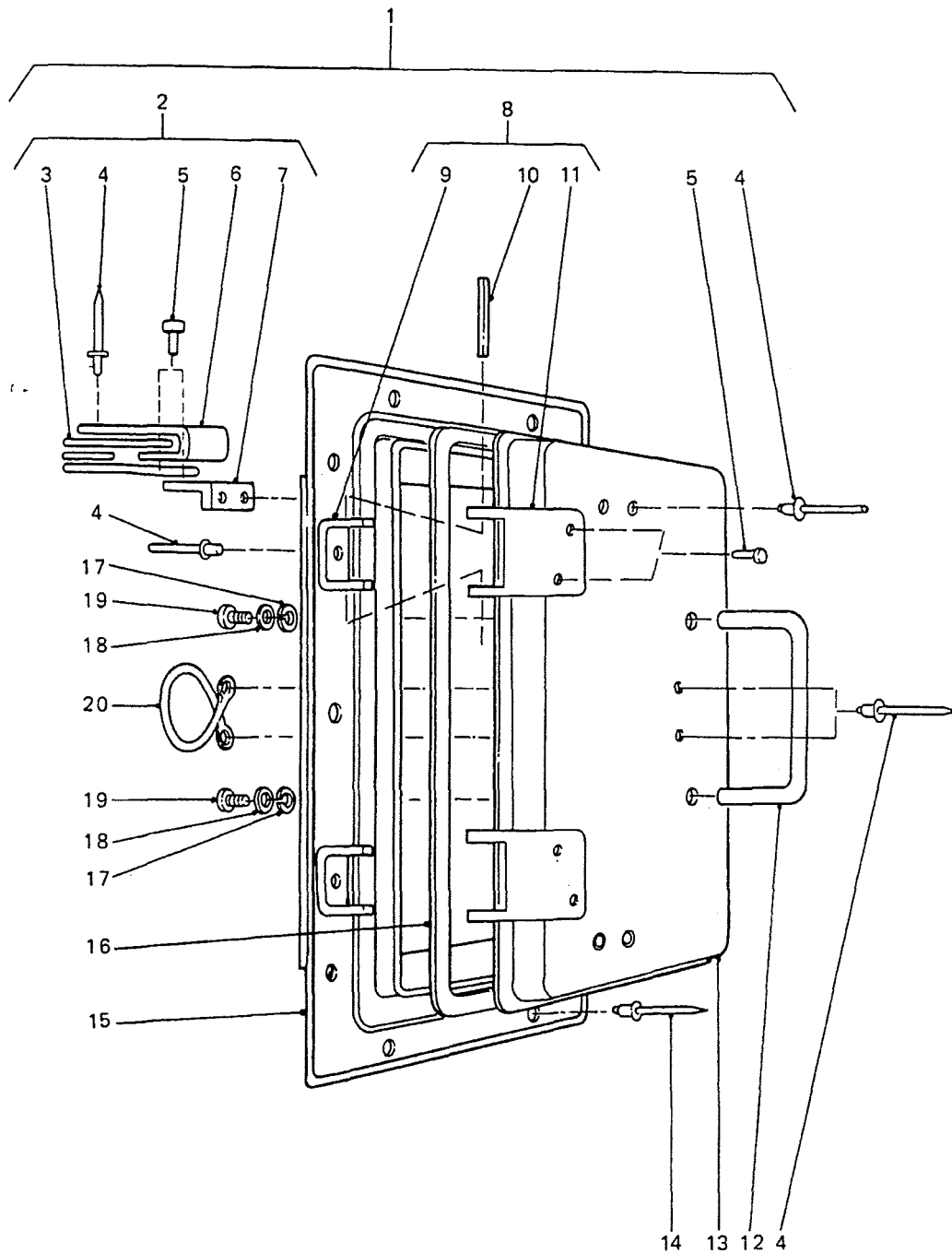
PERENTIE LAND ROVER PARTS LIST

ITEM	PART NO.	DESCRIPTION	NSN	DERIVATIVE CODE								
				2188	2189	2190	2191	2192	2194	2195	2207	CP
1	HYG3080	LATCH-DOOR	2540-66-128-5165			4	4	4				4
2	AFU1298	MONOBOLT	5320-66-128-5186			8	8	8				8
3	HYL9998	SEAL-BATTERY DOOR				2	2	2				2
4	HYG3085	STRIKER PLATE-BUDGET LATCH	2540-66-128-5293			4	4	4				4
5	WJ105001L	WASHER-PLAIN	5310-66-128-4726			8	8	8				8
6	WL105001L	WASHER-LOCK	5310-99-977-1102			8	8	8				8
7	SE105121L	SCREW	5305-99-135-0429			8	8	8				8
8	HYG3084	DOOR ASSY-BATTERY ACCESS	2510-66-128-6001			2	2	2				2
9	NSS											
10	R78248	POP RIVET	5320-99-970-3518			16	16	16				16
	MYH5328/50	RUBBER HOSE-BATTERY DOOR SEAL				2	2	2				2

CHANGE POINT

ARN INTRODUCTION

GROUP SQL



**RADIO LEAD ACCESS DOOR
- HARD TOP SURVEY ONLY**

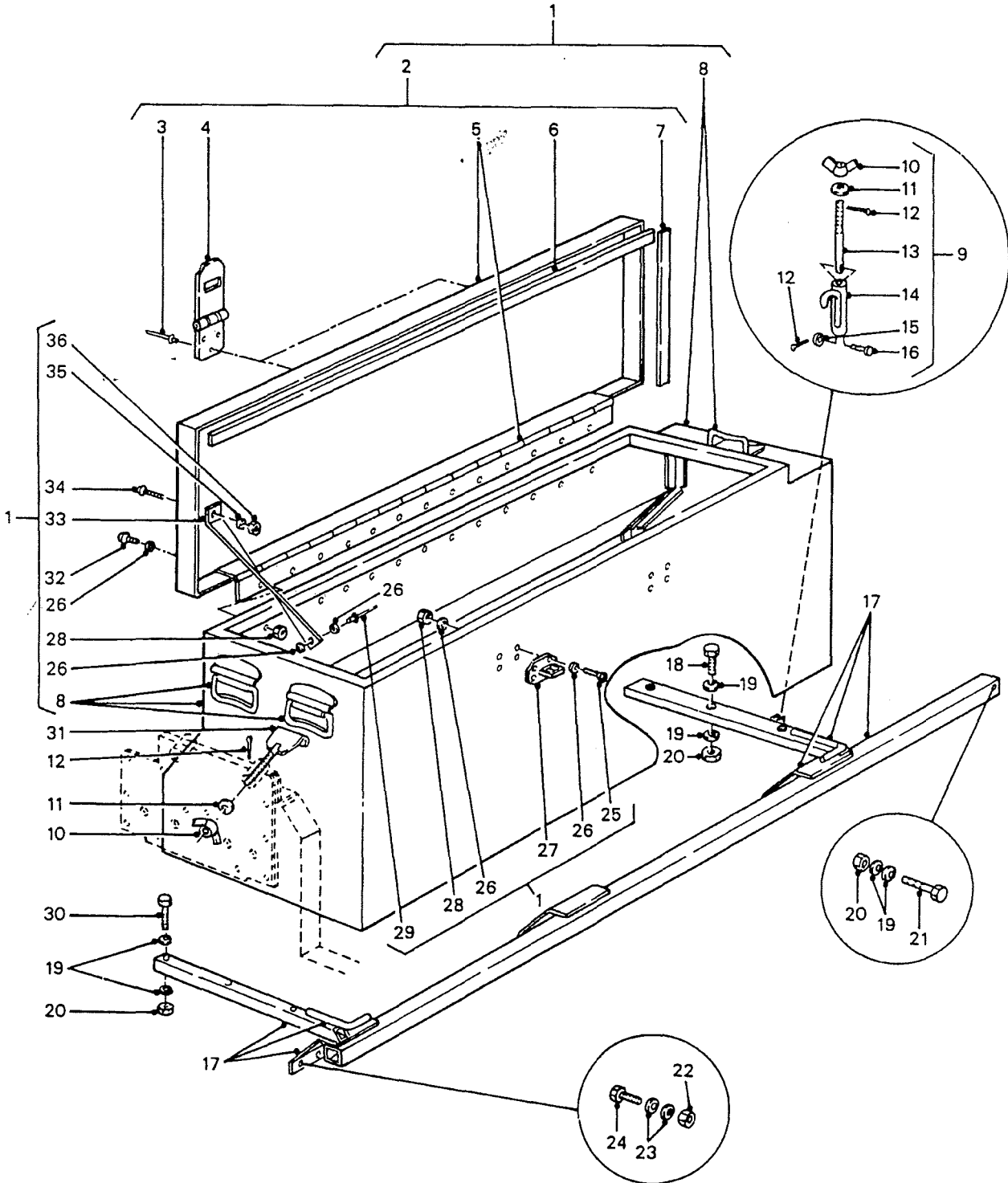
PERENTIE LAND ROVER PARTS LIST

ITEM	PART NO.	DESCRIPTION	NSN	DERIVATIVE CODE							CP
				2188	2189	2190	2191	2192	2194	2195	
1	HYG3159	DOOR-ACCESS-RADIO LEADS									1
2	NSS										
3	NSS										1
4	NSS										
5	NSS										
6	NSS										
7	NSS										
8	NSS										
9	NSS										
10	NSS										
11	NSS										
12	MYH3328	HANDLE-PULL									1
13	NSS										
14	RN612243	POP RIVET									2
15	NSS										
16	NSS										
17	WL104001L	WASHER-LOCK	5310-99-977-1102								2
18	WC104001L	WASHER-PLAIN									2
19	SE103051	SCREW									2
20	NSS										

CHANGE POINT

ARN INTRODUCTION

GROUP SQM

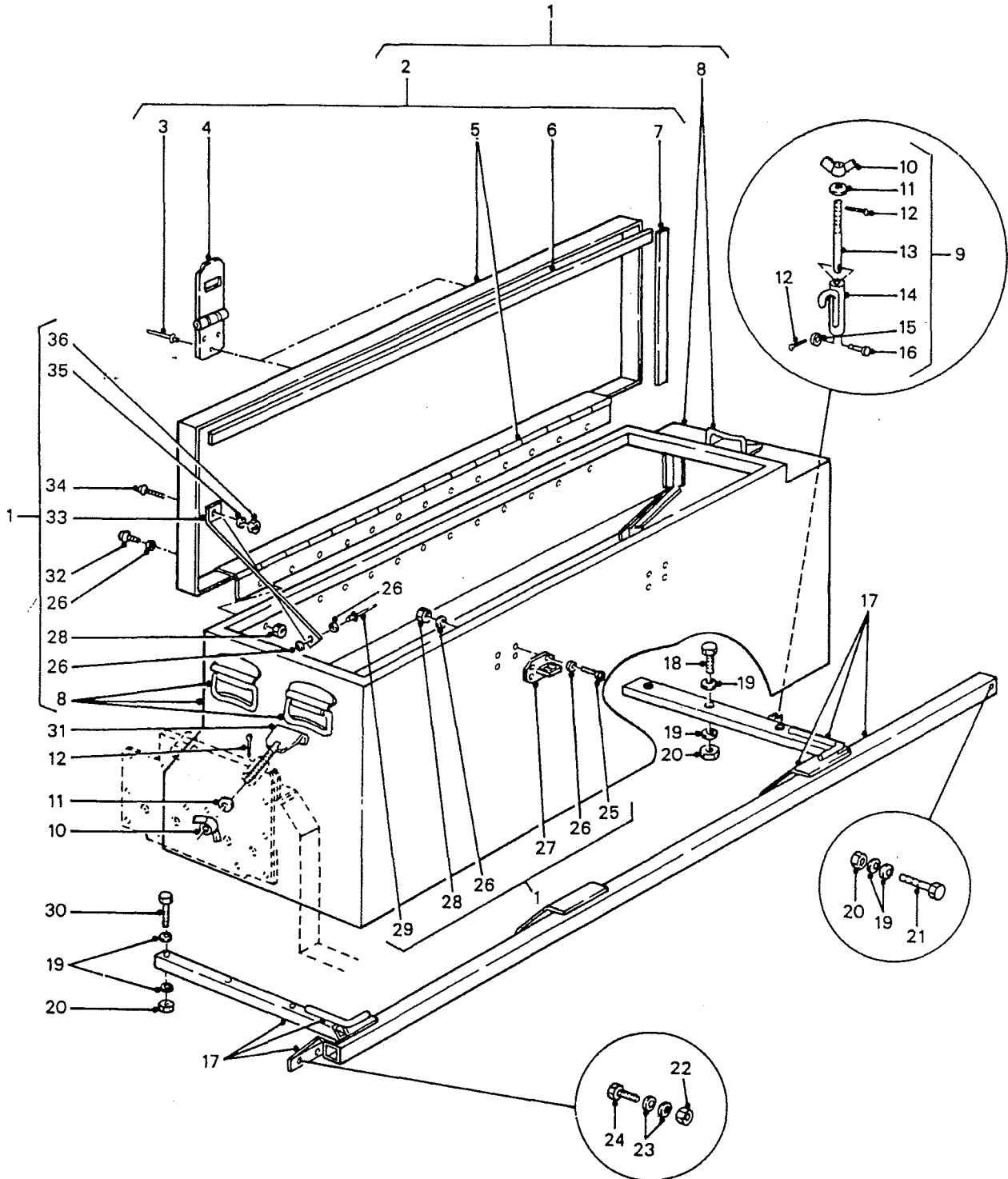


**STORAGE BIN ASSEMBLY AND MOUNTING
FRAME – REAR TRAY – RFSV ONLY**

PERENTIE LAND ROVER PARTS LIST

ITEM	PART NO.	DESCRIPTION	NSN	DERIVATIVE CODE							CP
				2188	2189	2190	2191	2192	2194	2195	
1	HYG4835	STOWAGE BIN COMPLETE-RH									1
1	HYG4836	STOWAGE BIN COMPLETE-LH									1
2	HYG4605	LID/SEAL-BIN									1
3	NSS										
4	HYM363	HASP/STAPLE (INCL ITEM 27)									2
5	NSS										
6	NSS										
7	NSS										
8	NSS										
9	HYG4647	CLAMP ASSY	5340-66-128-6226								2
10	MYH3222	WINGNUT-BRASS	5310-66-128-5866								6
11	WL112001L	WASHER-LOCK	5310-66-128-5111								6
12	PS104121L	SPLIT PIN	5315-66-128-5104								2
13	HYG4634	STUD									1
14	HYG4648	CLAMP									1
15	WA106041L	WASHER-PLAIN	5310-66-098-4440								1
16	PC106561L	PIN-CLEVIS	5315-66-128-5838								2
17	HYG4568	FRAME ASSY-RH									1
17	HYG4569	FRAME ASSY-LH									1
18	FS108201	SCREW									6
19	WC108051L	WASHER-PLAIN									28
20	NY108041L	NUT-NYLOC	5310-99-122-5496								14
21	BH108111L	BOLT									2
22	NY106041L	NUT-NYLOC	5310-99-138-8423								12
23	WJ106001L	WASHER-PLAIN	5310-66-128-4699								24
24	FS106201	SCREW	5305-99-122-5361								12
25	SF105161L	SCREW	5305-66-128-6229								16

GROUP SQM



STORAGE BIN ASSEMBLY AND MOUNTING FRAME – REAR TRAY – RFSV ONLY

PERENTIE LAND ROVER PARTS LIST

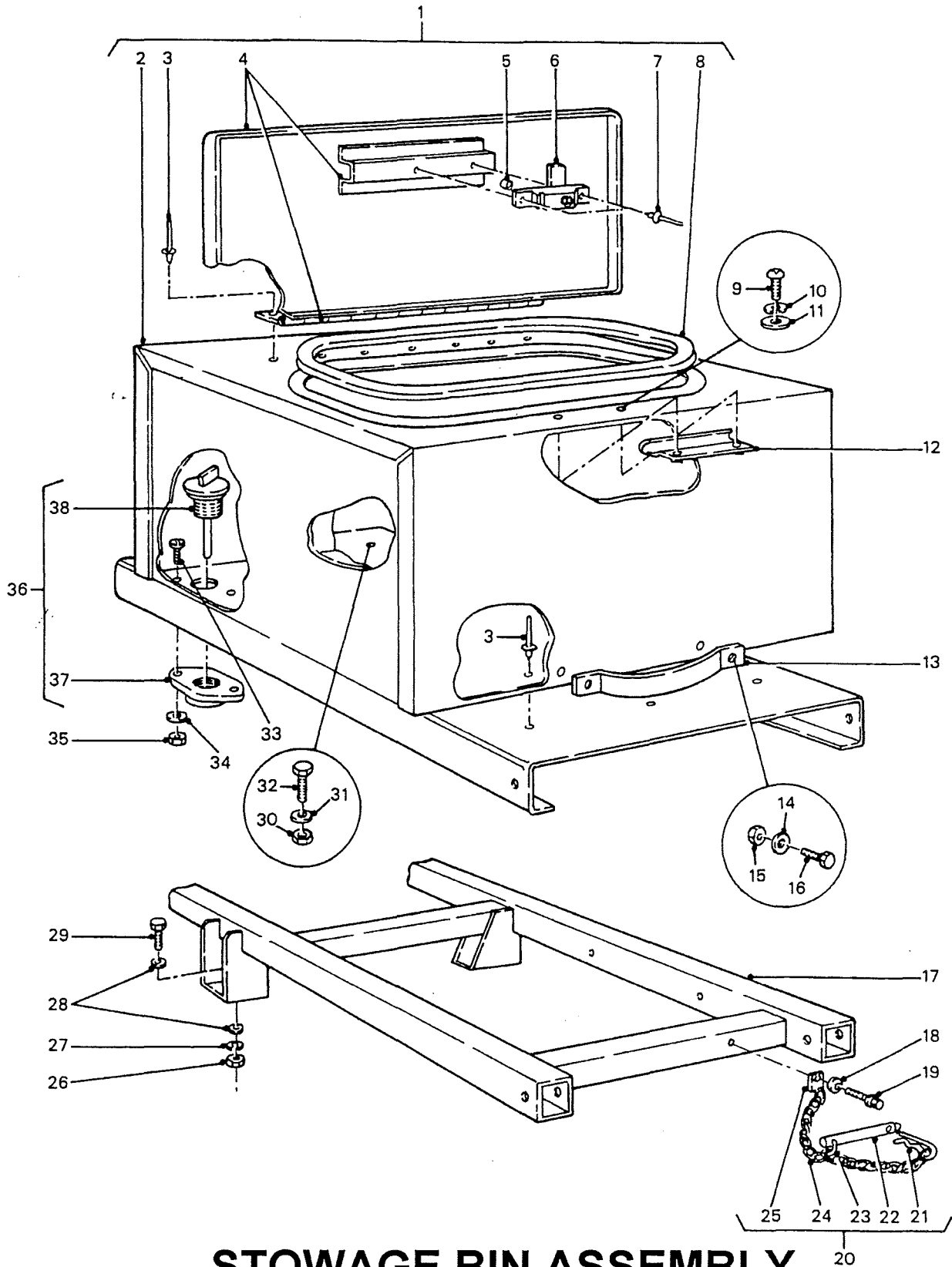
SQM/1/1 STOWAGE BIN ASSEMBLY AND MOUNTING FRAME - REAR TRAY - RFSV ONLY

<u>ITEM</u>	<u>PART NO.</u>	<u>DESCRIPTION</u>	<u>NSN</u>	<u>DERIVATIVE CODE</u>							<u>CP</u>
				<u>2188</u>	<u>2189</u>	<u>2190</u>	<u>2191</u>	<u>2192</u>	<u>2194</u>	<u>2195</u>	
26	WA105001L	WASHER-PLAIN									31
27	NSS										
28	NY105041L	NUT									21
29	RU612123	POP RIVET	5320-66-128-4684								2
30	BH108091L	BOLT	5306-99-122-5255								6
31	HYG4592	CLAMP STUD									4
32	SE105161L	SCREW	5305-99-135-0430								13
33	BYG8000	STRAP-BIN									2
34	SE104251	SCREW	5305-99-135-0426								2
35	WA104001L	WASHER-PLAIN									4
36	NY104041	NUT-NYLOC									4

CHANGE POINT

ARN INTRODUCTION

GROUP SQN

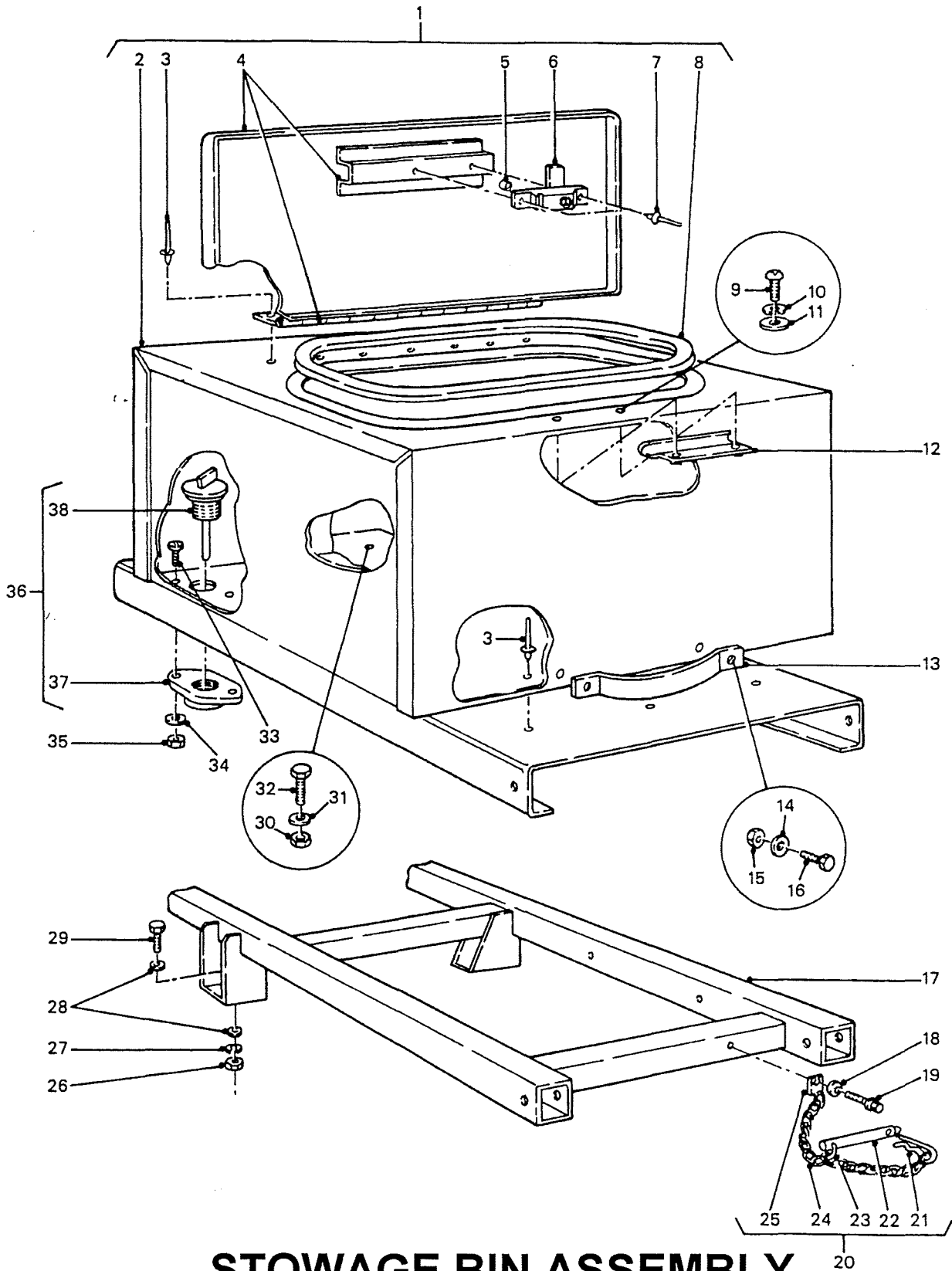


**STOWAGE BIN ASSEMBLY
AND MOUNTING FRAME – SLIDE OUT
– RFSV ONLY**

PERENTIE LAND ROVER PARTS LIST

ITEM	PART NO.	DESCRIPTION	NSN	DERIVATIVE CODE							CP
				2188	2189	2190	2191	2192	2194	2195	
1	HYG3956	BOX-STORAGE-RH									1
2	HYG3954	BOX ASSY									1
3	RU612183	POP RIVET	5320-66-128-4938								16
4	HYG3953	LID ASSY-BOX									1
5	MYH3326	SEAL-DUST	5330-66-128-5191								1
6	HYG3080	LATCH-DOOR	2540-66-128-5165								1
7	AFU1298	MONOBOLT	5320-66-128-5186								2
8	HYL9997	SEAL	5330-66-128-4649								1
9	SE105121L	SCREW	5305-99-135-0429								2
10	WL105001L	WASHER-LOCK	5310-99-977-1102								2
11	WJ105001L	WASHER-PLAIN	5310-66-128-4726								2
12	HYG2930	STRIKER-LOCK	2540-66-128-5218								1
13	AYG9812	HANDLE-LID	5340-66-128-5349								1
14	WJ105001L	WASHER-PLAIN	5310-66-128-4726								2
15	NY105041L	NUT	5310-99-122-5494								2
16	SP105161	SCREW	5305-99-770-8928								2
17	AYG9889	FRAME-BATTERY									1
18	WA106041L	WASHER-PLAIN	5310-66-098-4440								2
19	MYH3337	SCREW	5305-66-128-5341								2
20	AYG9879	CHAIN/PIN	4010-66-128-5342								1
21		R CLIP									1
22	NSS										
23	NSS										
24	NSS										
25	NSS										
26	NT108041L	NUT	5310-66-098-4402								4
27	WL108001L	WASHER-LOCK	5310-99-137-9231								4
28	WA108051L	WASHER-PLAIN	5310-99-122-6475								8
29	FS108201	SCREW									4

GROUP SQN



**STOWAGE BIN ASSEMBLY
AND MOUNTING FRAME – SLIDE OUT
– RFSV ONLY**

PERENTIE LAND ROVER PARTS LIST

SQN/1/1

STOWAGE BIN ASSEMBLY AND MOUNTING FRAME - SLIDE OUT - RFSV ONLY

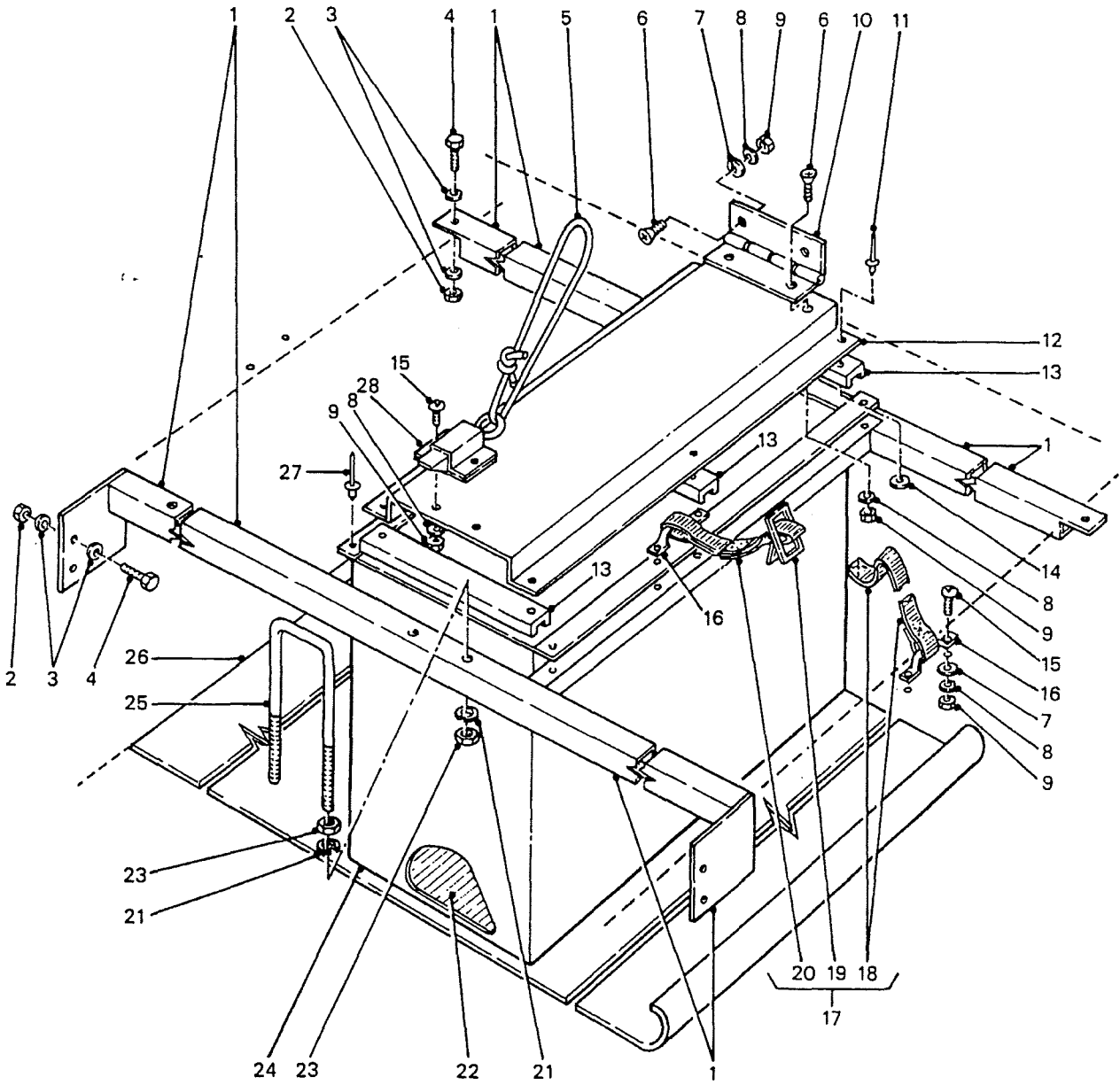
DERIVATIVE CODE

<u>ITEM</u>	<u>PART NO.</u>	<u>DESCRIPTION</u>	<u>NSN</u>	<u>2188</u>	<u>2189</u>	<u>2190</u>	<u>2191</u>	<u>2192</u>	<u>2194</u>	<u>2195</u>	<u>2207</u>	<u>CP</u>
30	NY108041L	NUT-NYLOC	5310-99-122-5496									1
31	WC108051L	WASHER-PLAIN										1
32	FS108251	SCREW	5305-99-122-5367									1
33	SP105161	SCREW	5305-99-770-8928									2
34	WA105001L	WASHER-PLAIN										2
35	NY105041L	NUT										2
36	MYH3514	PLUG ASSY										1
37	NSS											
38	NSS											
	MYH5328/50	SEAL-STORAGE BOX										1

CHANGE POINT

ARN INTRODUCTION

GROUP SQP

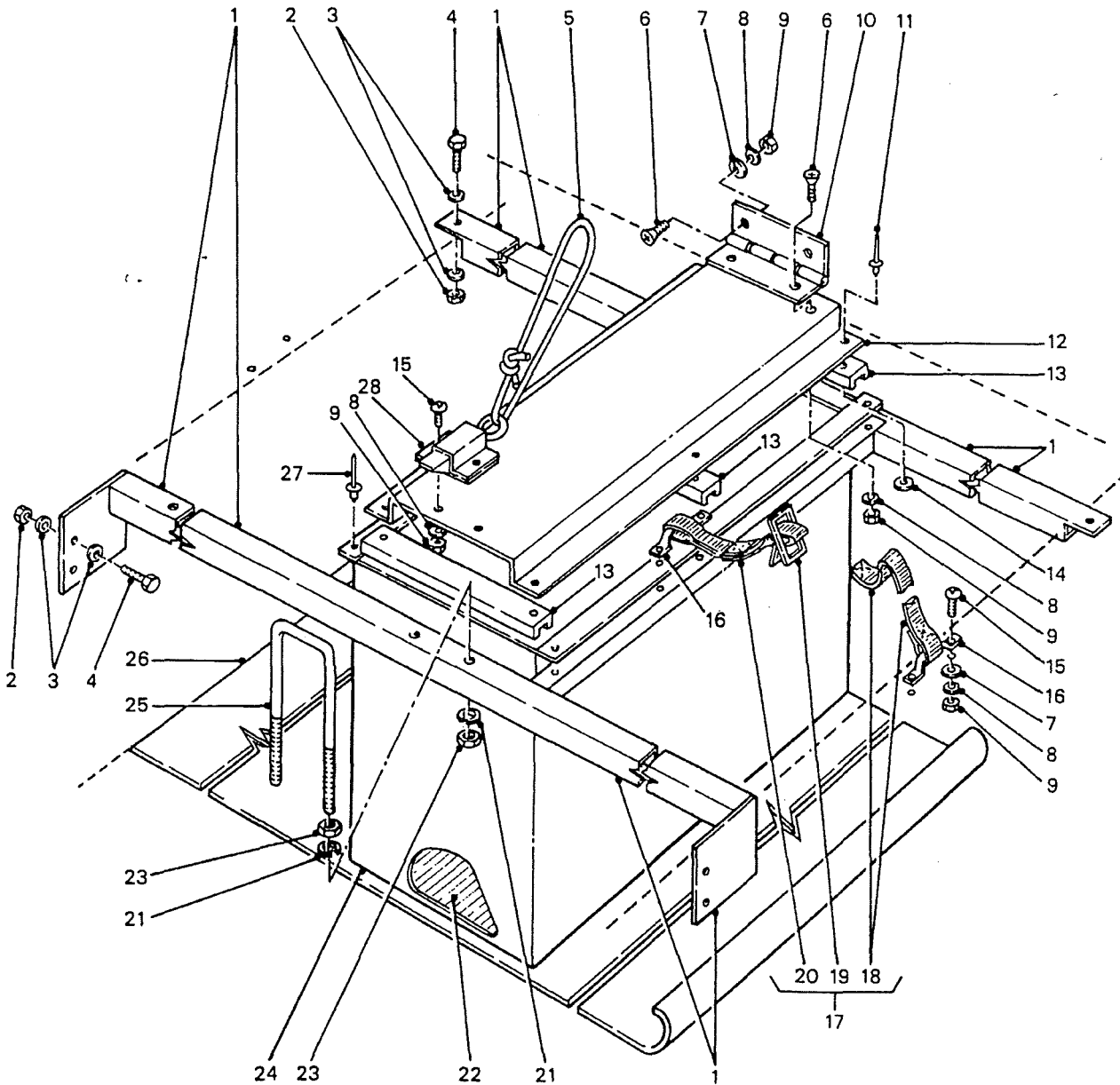


**WATER/OIL CAN STOWAGE
- RFSV ONLY**

PERENTIE LAND ROVER PARTS LIST

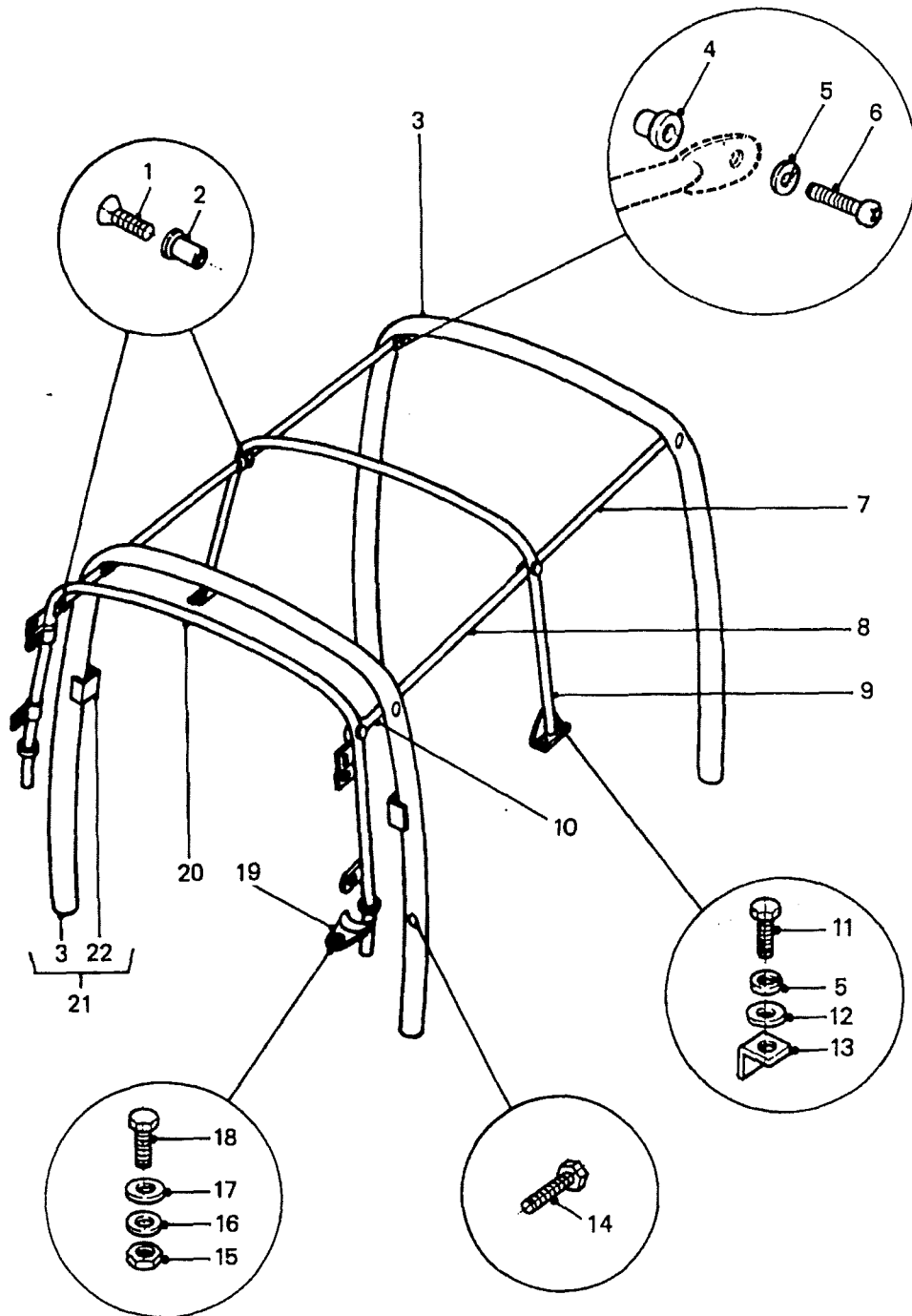
ITEM	PART NO.	DESCRIPTION	NSN	DERIVATIVE CODE							CP
				2188	2189	2190	2191	2192	2194	2195	
1	HYG3765	FRAME ASSY									1
2	NY106041L	NUT-NYLOC	5310-99-138-8423								6
3	WA106041L	WASHER-PLAIN	5310-66-098-4440								12
4	FS106201	SCREW	5305-99-122-5361								6
5	MYH3561	ROPE-LOCK									1
6	SF105161L	SCREW	5305-66-128-6229								4
7	WJ105001L	WASHER-PLAIN	5310-66-128-4726								10
8	WL105001L	WASHER-LOCK	5310-99-977-1102								14
9	NH105041L	NUT	5310-66-098-4400								14
10	MYH3502	HINGE-CLAMP	5340-66-128-6231								1
11	RA612433	POP RIVET									9
12	HYG3775	CLAMP ASSY									1
13	HYG3777	STRIP-BUFFER									3
14	WC105001L	WASHER PLAIN									9
15	SE105161L	SCREW	5305-99-135-0430								6
15	SE105251L	SCREW-STAPLE	5305-99-135-0432								4
16	R395143	STAPLE	2540-99-824-6204								4
17	HYG3782	STRAP ASSY	5340-66-128-6230								2
18	NSS										
19	NSS										
20	NSS										
21	WL108001L	WASHER-LOCK	5310-99-137-9231								4
22	NSS										
23	FN108041	NUT	5310-99-499-8033								4
24	HYG3780	CRADLE-FRAME									1
25	HYG3779	STRIKER									1
26	HYG4655	LINING-FLOOR									1
27	RA612183	POP RIVET	5320-66-128-4653								4
28	MYH3503	LOCK-CLAMP	5340-66-128-6225								1

GROUP SQP



**WATER/OIL CAN STOWAGE
- RFSV ONLY**

GROUP SR/1

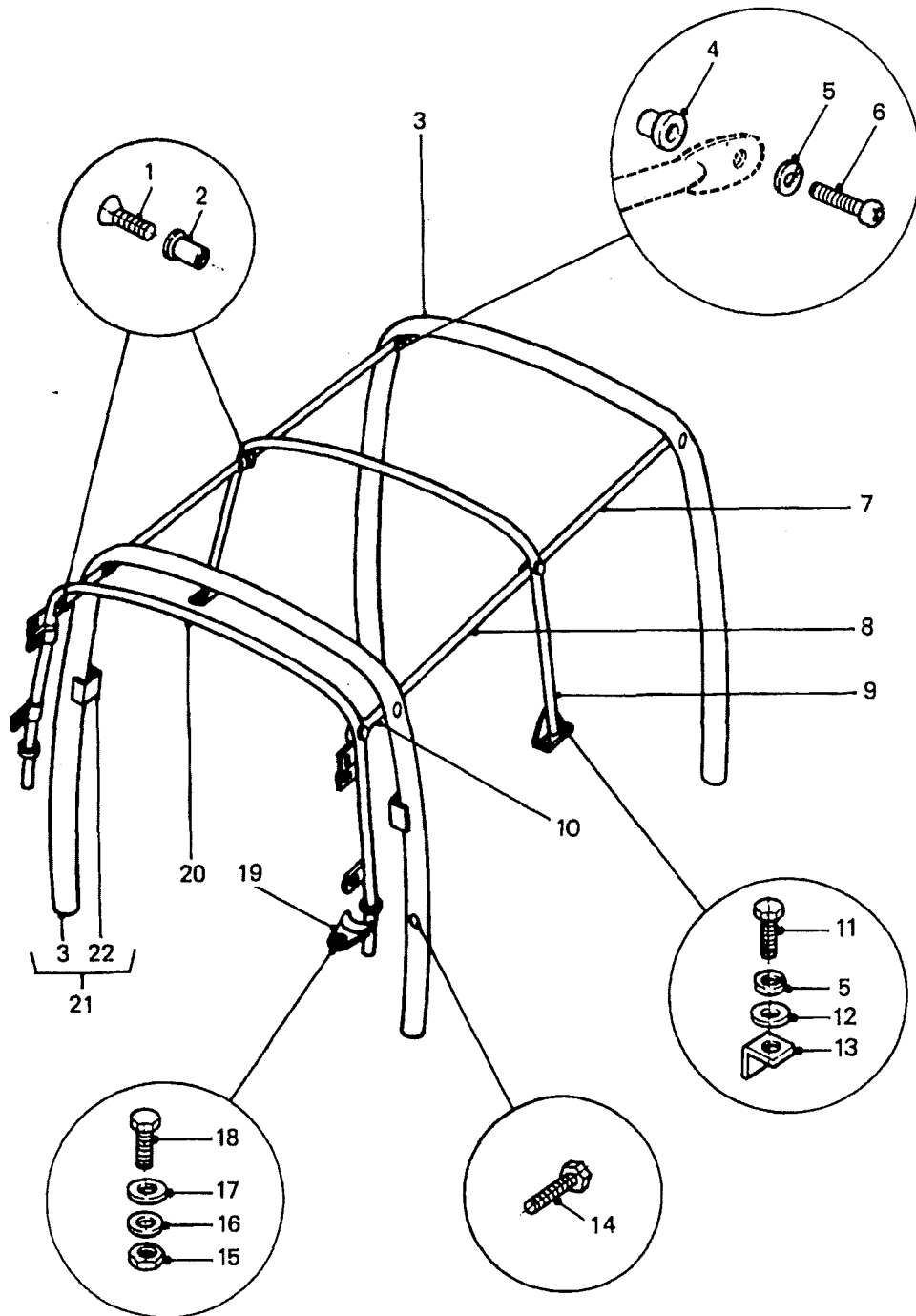


ROLL CAGE AND CANOPY BOWS - CARGO VARIANTS

PERENTIE LAND ROVER PARTS LIST

ITEM	SR /1/1 PART NO.	ROLL CAGE AND CANOPY BOWS - CARGO VARIANTS DESCRIPTION	NSN	DERIVATIVE CODE							
				2188	2189	2190	2191	2192	2194	2195	2207 CP
1	FS106201	SCREW	5305-99-122-5361	4	4	4	4				
2	NN106021	NUTSERT	5310-99-138-4838	4	4	4	4				
3	HYG5664	TUBE-CAGE-REAR	2540-66-128-5012	2	2	2	2				
4	MM106301	RIVNUT	5310-66-128-5543	8	8	8	8				
5	WL106001L	WASHER-LOCK	5310-99-137-9232	4	4	4	4				
6	SE106201L	SCREW	5305-99-796-7536	4	4	4	4				
7	HYG1658	TUBE-TIE	2540-66-128-5014	2	2	2	2				
8	HYG1660	TUBE-TIE	2540-66-128-5015	2	2	2	2				
9	HYG2200	HOODSTICK-INTERMEDIATE	2540-66-128-5017	1	1	1	1				
10	HYG1659	BAR-TIE-TUBE	2540-66-128-5016	2	2	2	2				
11	SR106201	SCREW	5305-66-128-4702	4	4	4	4				
12	MYH3285	WASHER-ADHESIVE	5310-66-128-4704	4	4	4	4				
13	MRC9603	NUT PLATE	5310-66-128-4703	4	4	4	4				
14	FS108301	SCREW		4	4	4	4				
15	FN108041	NUT	5310-99-499-8033	2	2	2	2				
16	WL108001L	WASHER-LOCK	5310-99-137-9231	2	2	2	2				
17	WA108051L	WASHER-PLAIN	5310-99-122-6475	2	2	2	2				
18	FS108251	SCREW	5305-99-122-5367	2	2	2	2				
19	R304301	CLAMP ARM	2540-99-849-8380	2	2	2	2				
20	HYG2926	HOODSTICK-FRONT	2540-66-128-5020	1	1	1	1				
21	HYG5663	TUBE-CAGE-FRONT	2540-66-128-5021	1	1	1	1				
22	NSS										
	HYG5824	KIT-ROLLOVER PROTECTION-FRONT	2540-66-128-6009	1	1	1	1				
		COMPRISES FOLLOWING ITEMS:									
	HYG3442	ROLL BAR -FRONT		1	1	1	1				
	HYG5584	BRACE-REAR-RH		1	1	1	1				
	HYG5585	BRACE-REAR-LH		1	1	1	1				
	HYG5586	BRACE-CORNER		2	2	2	2				

GROUP SR/1



ROLL CAGE AND CANOPY BOWS - CARGO VARIANTS

PERENTIE LAND ROVER PARTS LIST

SR /1/1

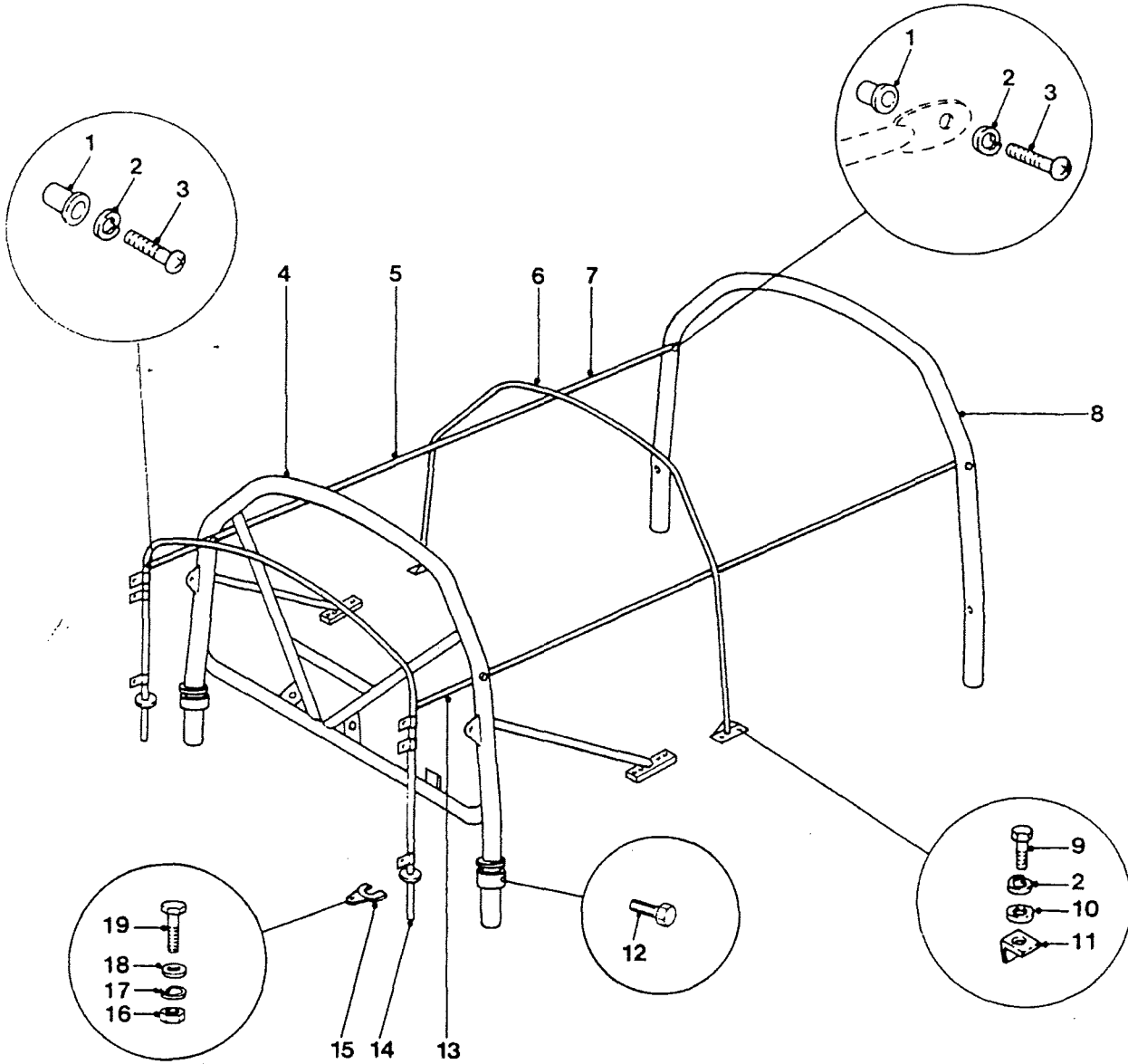
ROLL CAGE AND CANOPY BOWS - CARGO VARIANTS

<u>ITEM</u>	<u>PART NO.</u>	<u>DESCRIPTION</u>	<u>NSN</u>	<u>DERIVATIVE CODE</u>									
				<u>2188</u>	<u>2189</u>	<u>2190</u>	<u>2191</u>	<u>2192</u>	<u>2194</u>	<u>2195</u>	<u>2207</u>	<u>CP</u>	
	HYG5587	CHANNEL		1	1	1	1						
	HYG5588	PLATE-TAPPED		2	2	2	2						
	HYG5589	PLATE-PLAIN		2	2	2	2						
	HYG5590	GUSSET		2	2	2	2						
	HYG5684	DECAL-WARNING- ROLLOVER PROTECTION	7690-66-128-6114	1	1	1	1						
	MM108301	RIVNUT	5310-99-772-5133	2	2	2	2						
	FS108301	SCREW		2	2	2	2						
	WA112081L	WASHER-PLAIN	5310-99-122-6477	8	8	8	8						
	SH112251L	SCREW	5305-99-122-4912	8	8	8	8						
	WL112001L	WASHER-LOCK	5310-66-128-5111	8	8	8	8						

CHANGE POINT

ARN INTRODUCTION

GROUP SR/2

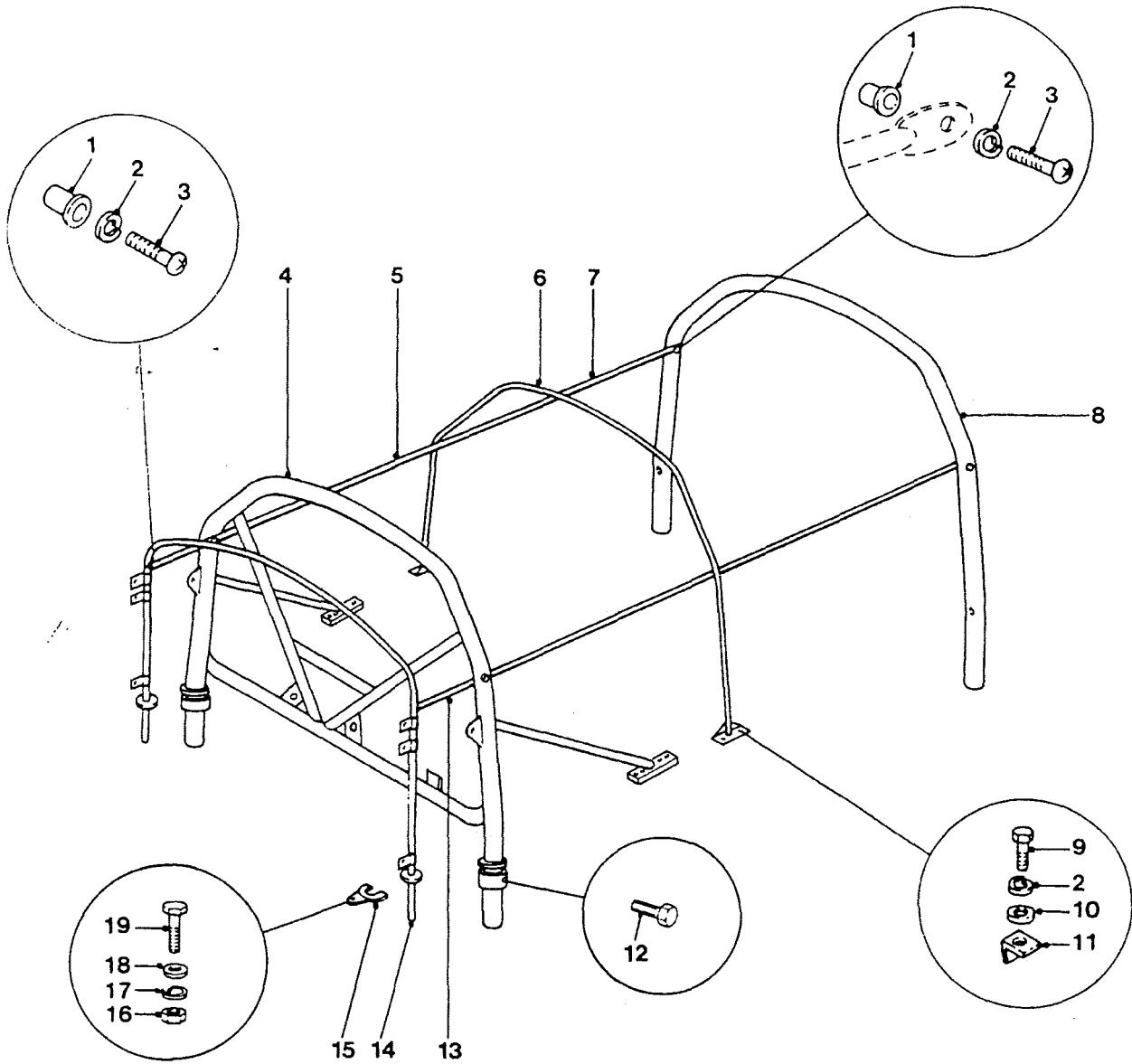


ROLL CAGE AND CANOPY BOWS - RFSV ONLY

PERENTIE LAND ROVER PARTS LIST

ITEM	SR /2/1 PART NO.	ROLL CAGE AND CANOPY BOWS - RFSV ONLY DESCRIPTION	NSN	DERIVATIVE CODE							CP
				2188	2189	2190	2191	2192	2194	2195	
1	MM106301	RIVNUT	5310-66-128-5543								8
2	WL106001L	WASHER-LOCK	5310-99-137-9232								12
3	SE106201L	SCREW	5305-99-796-7536								8
4	HYG5977	KIT-ROLLOVER PROTECTION-FRONT	2540-66-128-6106								1
		COMPRISES FOLLOWING ITEMS									
	HYG5588	PLATE-TAPPED									2
	HYG5684	DECAL-WARNING- ROLLOVER PROTECTION	7690-66-128-6114								1
	HYG5901	COLLAR-TUBE									2
	HYG5908	JOINT-TUBE									1
	HYG5948	BRACE-ASSY-RH									1
	HYG5949	BRACE ASSY-LH									1
	HYG6001	ROLL BAR-FRONT									1
	FS108301	SCREW									2
	WA108051L	WASHER-PLAIN	5310-99-122-6475								4
	WL112081L	WASHER-LOCK	5310-66-128-5111								8
	NY108041L	NUT-NYLOC	5310-99-122-5496								2
	SH112251L	SCREW	5305-99-122-4912								8
	BH108151L	BOLT									2
	WL112001L	WASHER-LOCK	5310-66-128-5111								8
5	HYG1660	TUBE-TIE	2540-66-128-5015								2
6	HYG3653	HOODSTICK-INTERMEDIATE	2540-66-128-6208								1
7	HYG1658	TUBE-TIE	2540-66-128-5014								2
8	HYG5666	TUBE-CAGE-REAR	2540-66-128-6207								1
9	SR106201	SCREW	5305-66-128-4702								4
10	MYH3285	WASHER-ADHESIVE	5310-66-128-4704								4
11	MRC9603	NUT PLATE	5310-66-128-4703								4
12	FS108301	SCREW									4

GROUP SR/2



ROLL CAGE AND CANOPY BOWS - RFSV ONLY

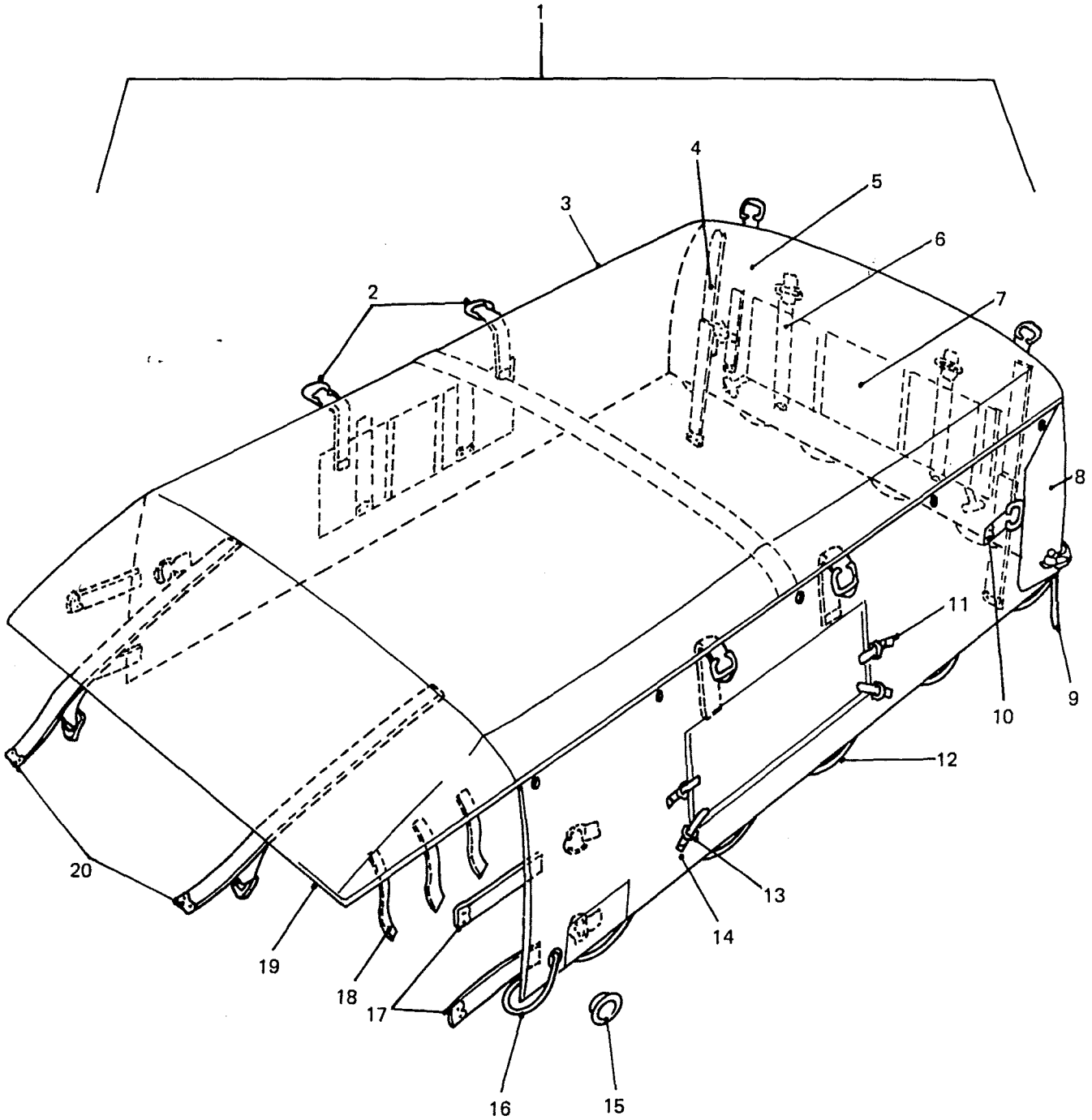
PERENTIE LAND ROVER PARTS LIST

<u>ITEM</u>	<u>PART NO.</u>	<u>DESCRIPTION</u>	<u>NSN</u>	<u>DERIVATIVE CODE</u>							<u>CP</u>	
				<u>2188</u>	<u>2189</u>	<u>2190</u>	<u>2191</u>	<u>2192</u>	<u>2194</u>	<u>2195</u>		<u>2207</u>
13	HYG1659	BAR-TIE-TUBE	2540-66-128-5016									2
14	HYG2926	HOODSTICK-FRONT	2540-66-128-5020									1
15	R304301	CLAMP-ARM	2540-99-849-8380									2
16	FN108041	NUT	5310-99-499-8033									2
17	WL108001L	WASHER-LOCK	5310-99-137-9231									2
18	WA108051L	WASHER-PLAIN	5310-99-122-6475									2
19	FS108251	SCREW	5305-99-122-5367									2

CHANGE POINT

ARN INTRODUCTION

GROUP SRA/1



CANOPY
– SOFT TOP CARGO ONLY

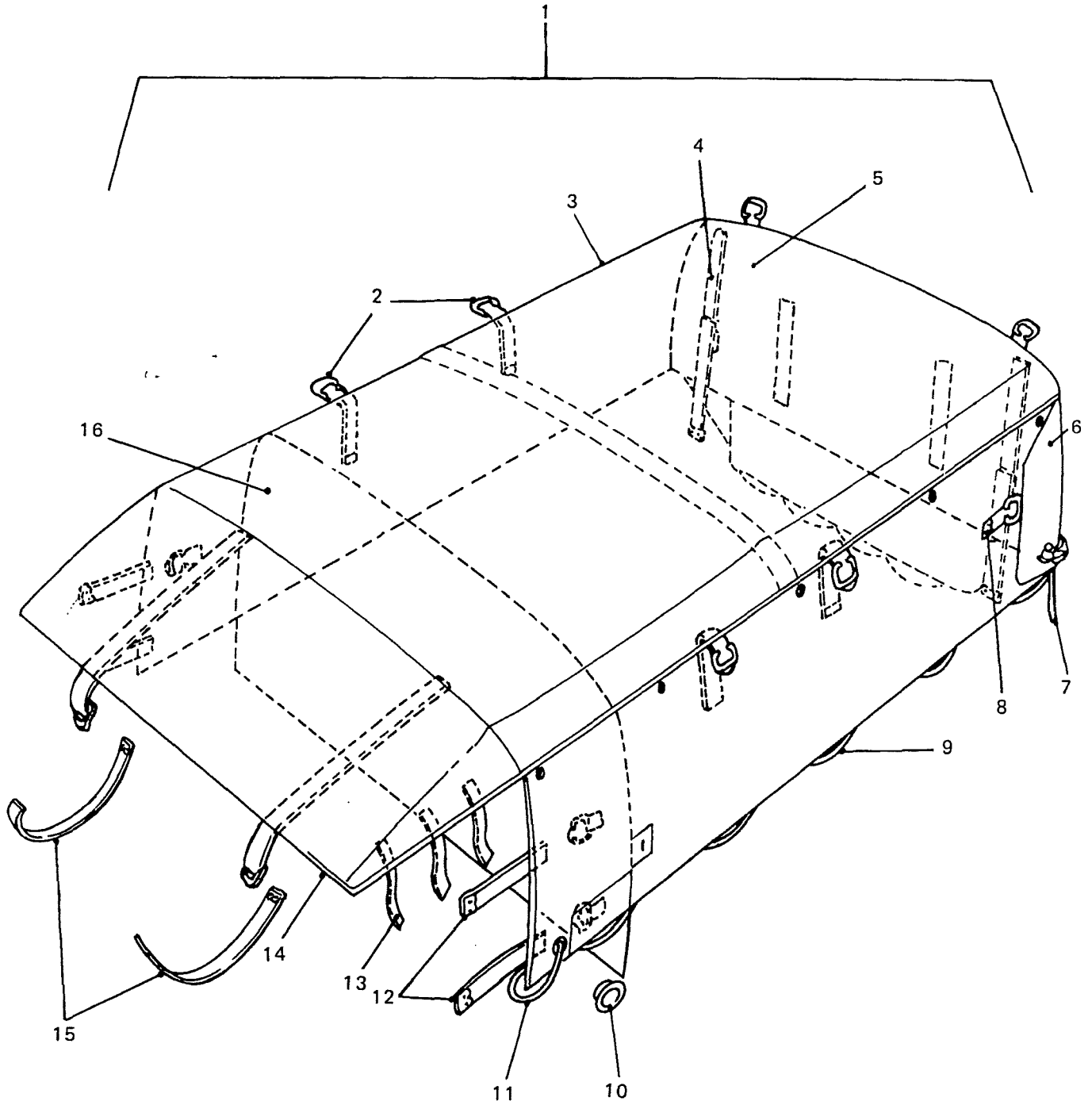
PERENTIE LAND ROVER PARTS LIST

<u>ITEM</u>	<u>SRA/1/1</u> <u>PART NO.</u>	<u>CANOPY - SOFT TOP CARGO ONLY</u> <u>DESCRIPTION</u>	<u>NSN</u>	<u>DERIVATIVE CODE</u>										
				<u>2188</u>	<u>2189</u>	<u>2190</u>	<u>2191</u>	<u>2192</u>	<u>2194</u>	<u>2195</u>	<u>2207</u>	<u>CP</u>		
1	HYG3030	CANOPY-CARGO	2540-66-128-4941	1	1									
2	NSS													
3	NSS													
4	NSS													
5	NSS													
6	NSS													
7	NSS													
8	NSS													
9	NSS													
10	NSS													
11	NSS													
12	NSS													
13	NSS													
14	NSS													
15	MYH143	EYELET		32	32									
16	NSS													
17	NSS													
18	NSS													
19	NSS													
20	NSS													

CHANGE POINT

ARN INTRODUCTION

GROUP SRA/2



CANOPY
- SOFT TOP CARGO FFR ONLY

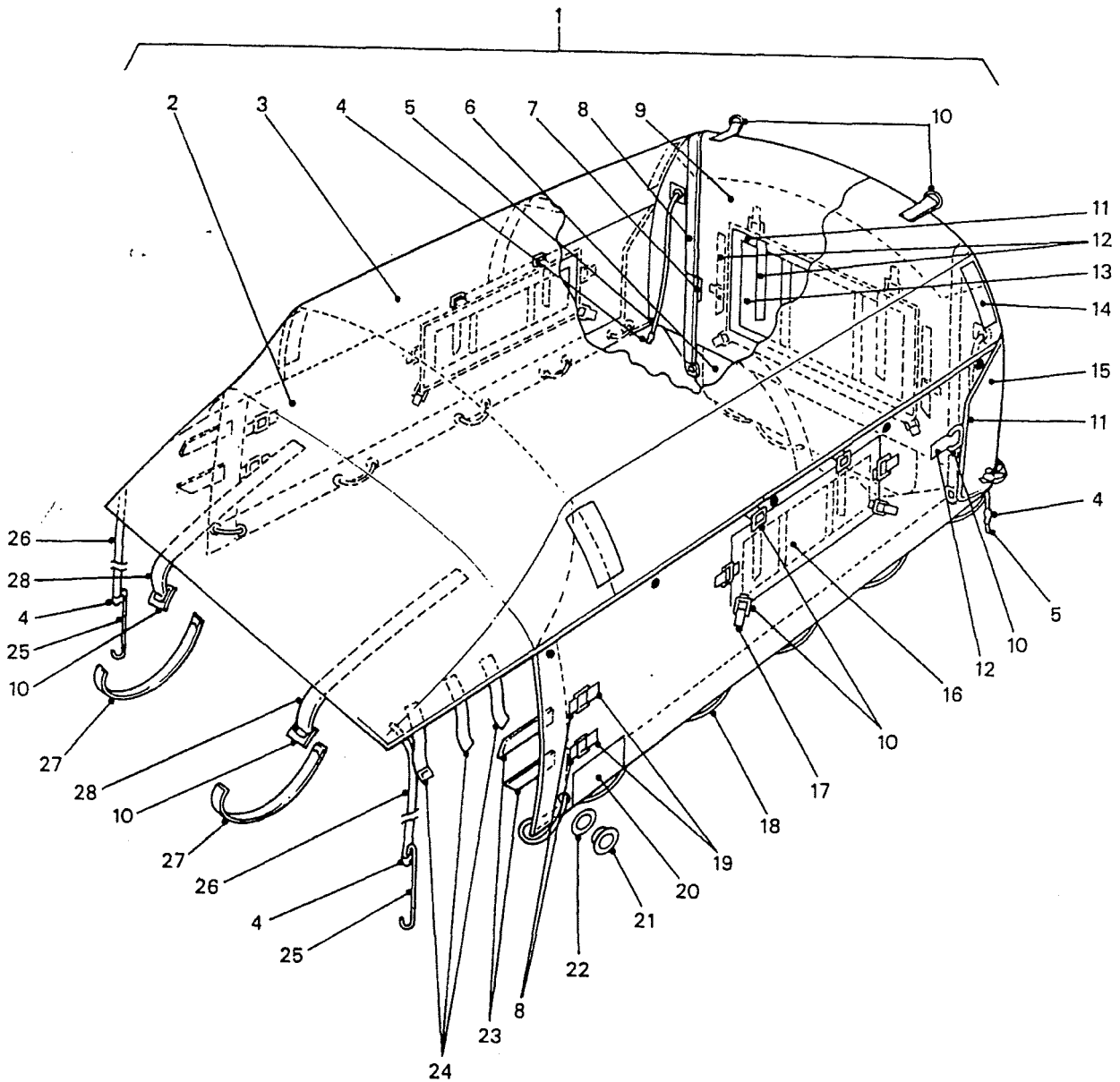
PERENTIE LAND ROVER PARTS LIST

<u>ITEM</u>	<u>PART NO.</u>	<u>DESCRIPTION</u>	<u>NSN</u>	<u>DERIVATIVE CODE</u>									
				<u>2188</u>	<u>2189</u>	<u>2190</u>	<u>2191</u>	<u>2192</u>	<u>2194</u>	<u>2195</u>	<u>2207</u>	<u>CP</u>	
1	HYG3032	CANOPY-FFR	2540-66-128-5061			1	1						
2	NSS	HYG3657	8305-66-128-5552										
3	NSS												
4	NSS												
5	NSS												
6	NSS												
7	NSS												
8	NSS												
9	NSS												
10	NSS												
11	NSS												
12	NSS												
13	NSS												
14	NSS												
15	HYG2670	STRAP-CANOPY				2	2						
16	NSS												

CHANGE POINT

ARN INTRODUCTION

GROUP SRA/3



**CANOPY
- RFSV ONLY**

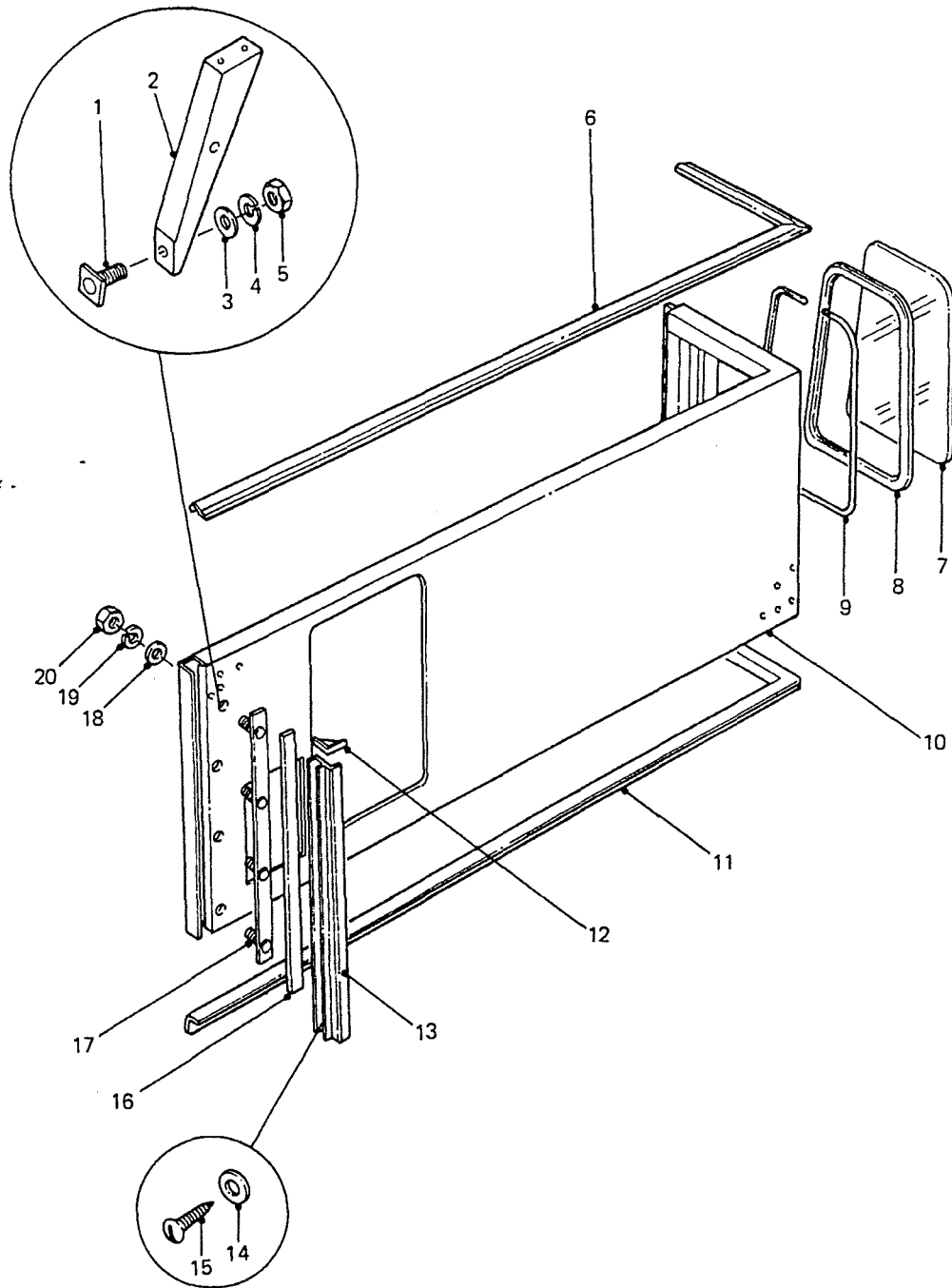
PERENTIE LAND ROVER PARTS LIST

ITEM	SRA/3/1 PART NO.	CANOPY - RFSV ONLY DESCRIPTION	NSN	DERIVATIVE CODE							CP	
				2188	2189	2190	2191	2192	2194	2195		2207
1	HYG4470	CANOPY	2540-66-128-6222									1
2	NSS											
3	NSS											
4	NSS											
5	NSS											
6	NSS											
7	NSS											
8	NSS											
9	NSS											
10	NSS											
11	NSS											
12	NSS											
13	NSS											
14	NSS											
15	NSS											
16	NSS											
17	NSS											
18	NSS											
19	NSS											
20	NSS											
21	NSS											
22	NSS											
23	NSS											
24	NSS											
25	NSS											
26	NSS											
27	HYG2670	STRAP-CANOPY										2
28	NSS											

CHANGE POINT

ARN INTRODUCTION

GROUP SRB/1



**REAR BODY UPPER – PANEL, GLASS AND SEALS
– HARD TOP SURVEY VEHICLE ONLY**

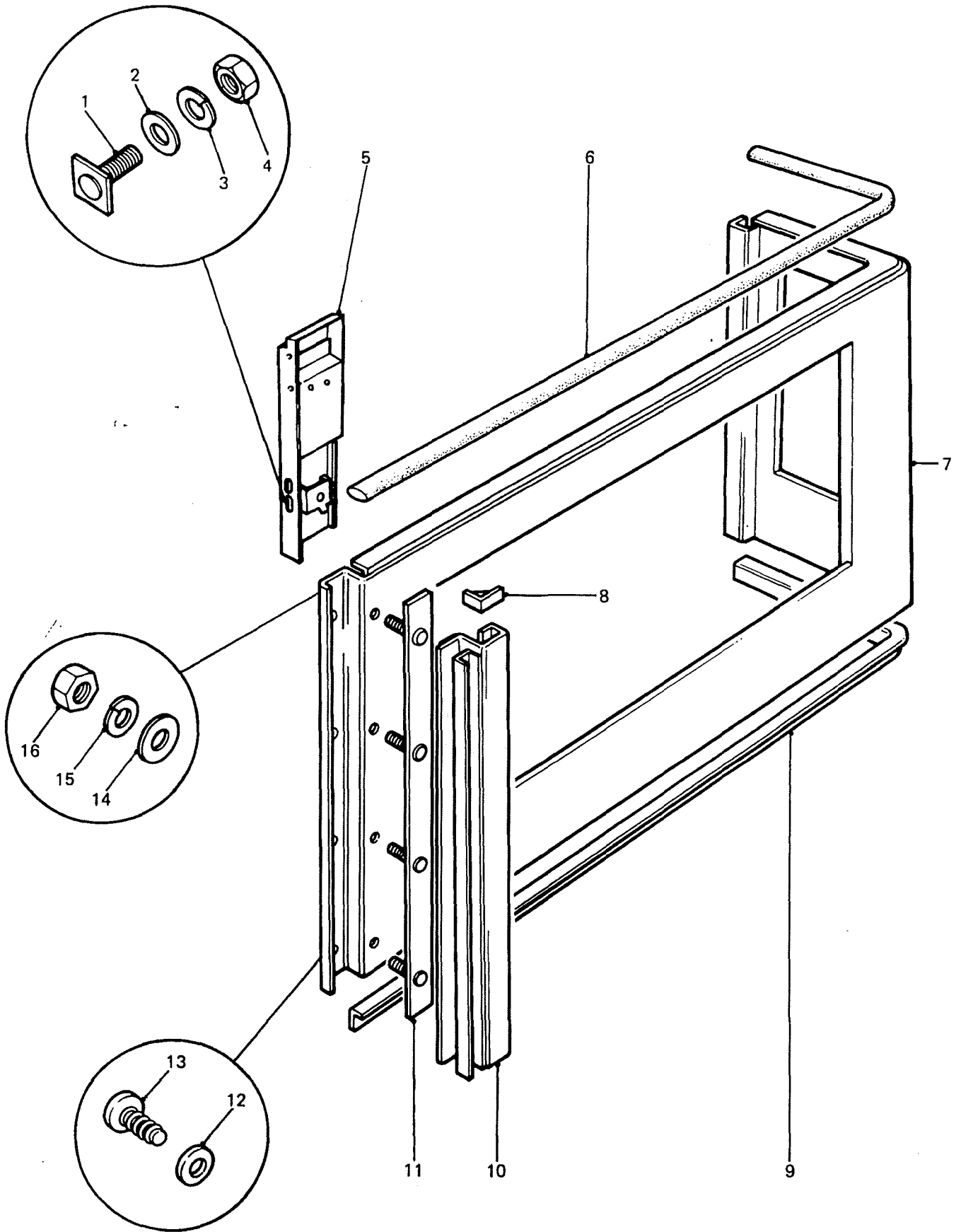
PERENTIE LAND ROVER PARTS LIST

ITEM	SRB/1/1 PART NO.	REAR BODY UPPER - PANELS, GLASS AND SEALS - HARD TOP SURVEY ONLY DESCRIPTION	NSN	DERIVATIVE CODE							CP
				2188	2189	2190	2191	2192	2194	2195	
1	MRC7626	BOLT PLATE								2	
2	R395586	BRACKET-RH								1	
2	R395587	BRACKET-LH								1	
3	WB106041L	WASHER-PLAIN	5310-99-122-3033							2	
4	WL106001L	WASHER-LOCK	5310-99-137-9232							2	
5	NH106041L	NUT	5310-66-098-4401							2	
6	R334610	SEAL-BODYSIDE-RH	2540-99-809-6331							1	
6	R334611	SEAL-BODYSIDE-LH	2540-99-809-6332							1	
7	HYG3418	GLASS-REAR	2510-66-128-5384							2	
8	MWC4772	RUBBER-GLAZING	5330-66-128-5385							2	
9	R306289	FILLER STRIP	9320-99-849-8394							2	
10	HYG2342	BODYSIDE-RH								1	
10	HYG2343	BODYSIDE-LH								1	
11	R333490	SEAL-BODYSIDE-LOWER	9320-99-809-6330							2	
12	R332215	SEAL	2510-99-850-1805							4	
13	MTC5394	RETAINER-RH								1	
13	MTC5395	RETAINER-LH								1	
14	AFU1080	WASHER-PLAIN	5310-99-740-0784							6	
15	R78832	SCREW								6	
16	NSS										
17	MUC3566	STUD PLATE								2	
18	WA105001L	WASHER-PLAIN	5310-99-122-3032							8	
19	WL105001L	WASHER-LOCK	5310-99-977-1102							8	
20	NM105011	NUT								8	

CHANGE POINT

ARN INTRODUCTION

GROUP SRB/2



**REAR BODY UPPER – PANELS AND SEALS
– STATION WAGONS ONLY**

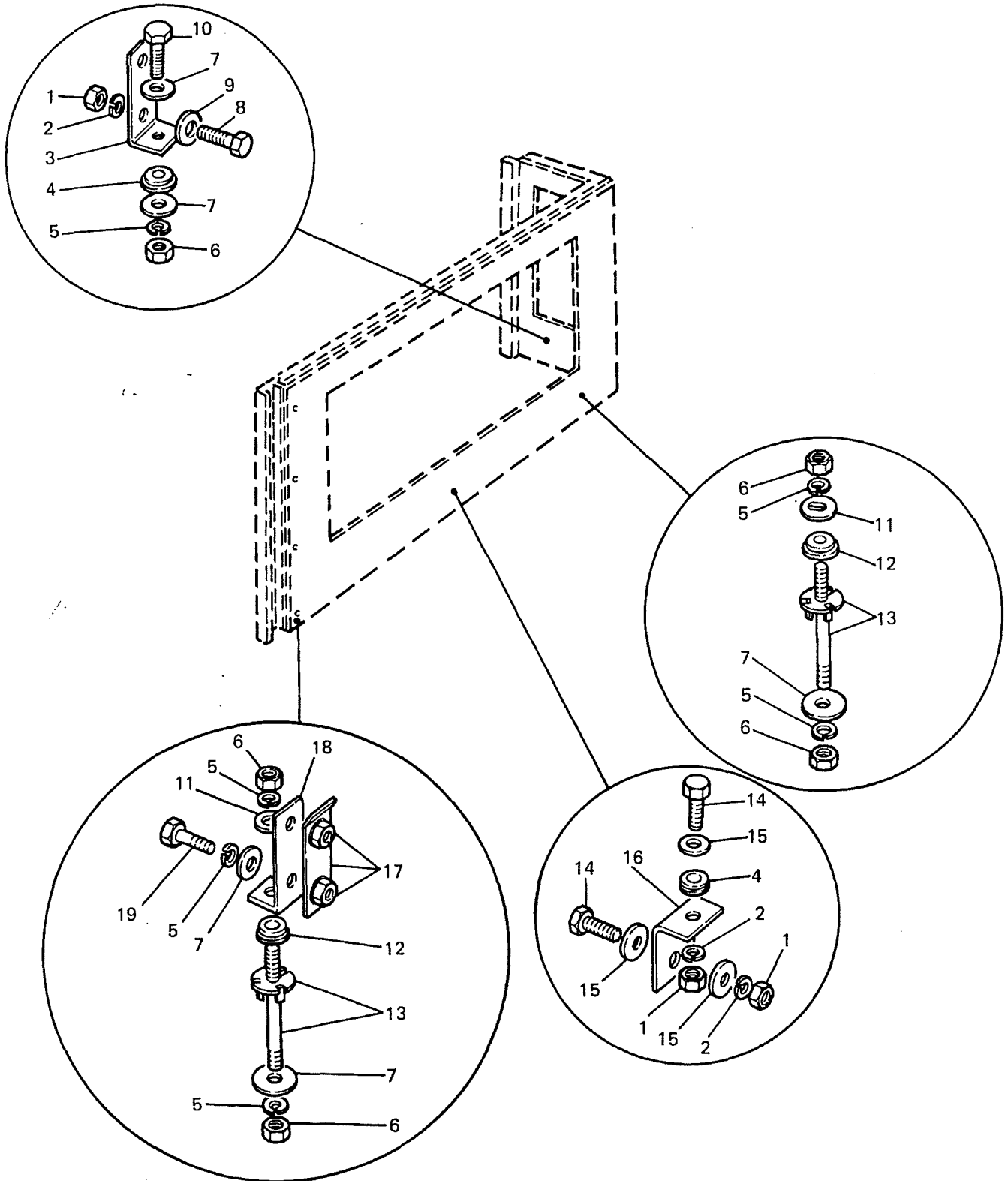
PERENTIE LAND ROVER PARTS LIST

ITEM	SRB/2/1 PART NO.	REAR BODY UPPER - PANELS AND SEALS - STATION WAGONS ONLY DESCRIPTION	NSN	DERIVATIVE CODE								
				2188	2189	2190	2191	2192	2194	2195	2207	CP
1	MRC7626	BOLT PLATE								2	2	
2	WA106041L	WASHER-PLAIN	5310-66-098-4440							2	2	
3	WL106001L	WASHER-LOCK	5310-99-137-9232							2	2	
4	NH106041L	NUT	5310-66-098-4401							2	2	
5	MWC5054	ANCHORAGE-SEATBELT-RH								1	1	
5	MUC1011	ANCHORAGE-SEATBELT-LH								1	1	
6	R334612	SEAL-BODYSIDE-RH	2510-99-446-6201							1	1	
6	R334613	SEAL-BODYSIDE-LH	5330-99-819-2993							1	1	
7	MWC8966	BODYSIDE-RH								1	1	
7	MWC8967	BODYSIDE-LH								1	1	
8	R332215	SEAL	2510-99-850-1805							4	4	
9	R333487	SEAL RUBBER	5330-99-844-9749							2	2	
10	MTC5394	RETAINER-RH								1	1	
10	MTC5395	RETAINER-LH								1	1	
11	MUC3566	STUD PLATE								2	2	
12	AFU1080	WASHER-PLAIN	5310-99-740-0784							6	6	
13	R78832	SCREW								6	6	
14	WA105001L	WASHER-PLAIN								8	8	
15	WL105001L	WASHER-LOCK	5310-99-977-1102							8	8	
16	NM105011	NUT								8	8	

CHANGE POINT

ARN INTRODUCTION

GROUP SRC



**REAR BODY UPPER – MOUNTINGS
– HARD TOP VARIANTS ONLY**

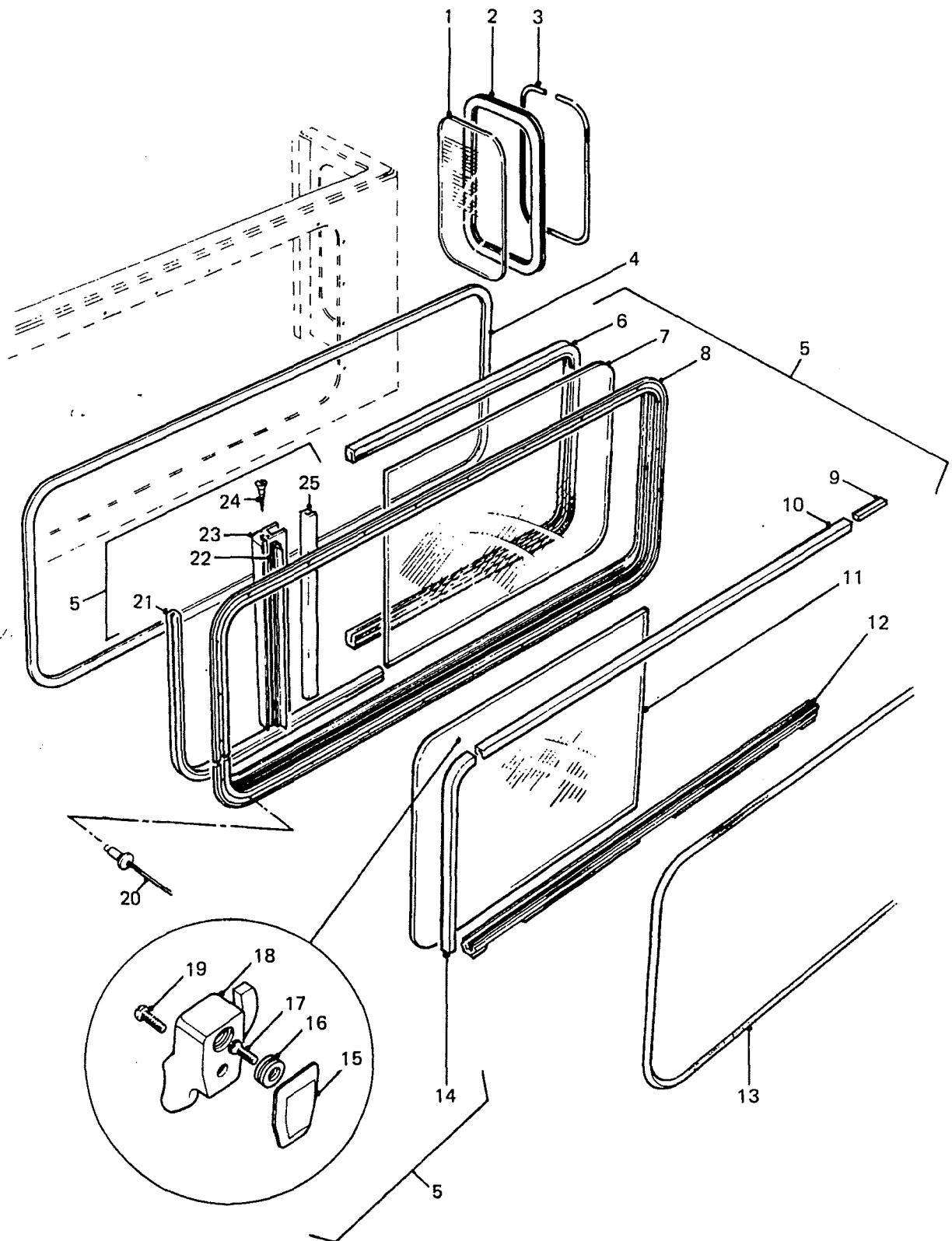
PERENTIE LAND ROVER PARTS LIST

ITEM	SRC/1/1 PART NO.	REAR BODY UPPER - MOUNTINGS - HARD TOP VARIANTS ONLY DESCRIPTION	NSN	DERIVATIVE CODE							CP
				2188	2189	2190	2191	2192	2194	2195	
1	NH106041L	NUT	5310-66-098-4401					8	8	8	
2	WL106001L	WASHER-LOCK	5310-99-137-9232					8	8	8	
3	R338552	BRACKET						2	2	2	
4	R338550	RUBBER BUFFER	5340-99-808-4736					4	4	4	
5	WL108001L	WASHER-LOCK	5310-99-137-9231					14	14	14	
6	FN108041	NUT	5310-99-499-8033					10	10	10	
7	WC108051L	WASHER-PLAIN						12	12	12	
8	FS106161	SCREW	5305-99-122-5360					4	4	4	
9	MRC5525	WASHER-PLAIN	5310-99-754-3600					4	4	4	
10	FS108301	SCREW						2	2	2	
11	R332293	WASHER-BODYSIDE						4	4	4	
12	R338553	RUBBER BUFFER	5340-99-808-4737					4	4	4	
13	MRC9833	STUD MTG-BODY						4	2	2	
13	MRC9835	STUD MTG-BODY-REAR							2	2	
14	FS106201	SCREW	5305-99-122-5361					4	4	4	
15	MRC5527	WASHER-PLAIN	5310-99-977-1694					10	6	6	
16	R332201	BRACKET-BODY						2	2	2	
17	MUC1324	NUT PLATE						2	2	2	
18	R338554	BRACKET						2	2	2	
19	FS108161	SCREW						4	4	4	

CHANGE POINT

ARN INTRODUCTION

GROUP SRD

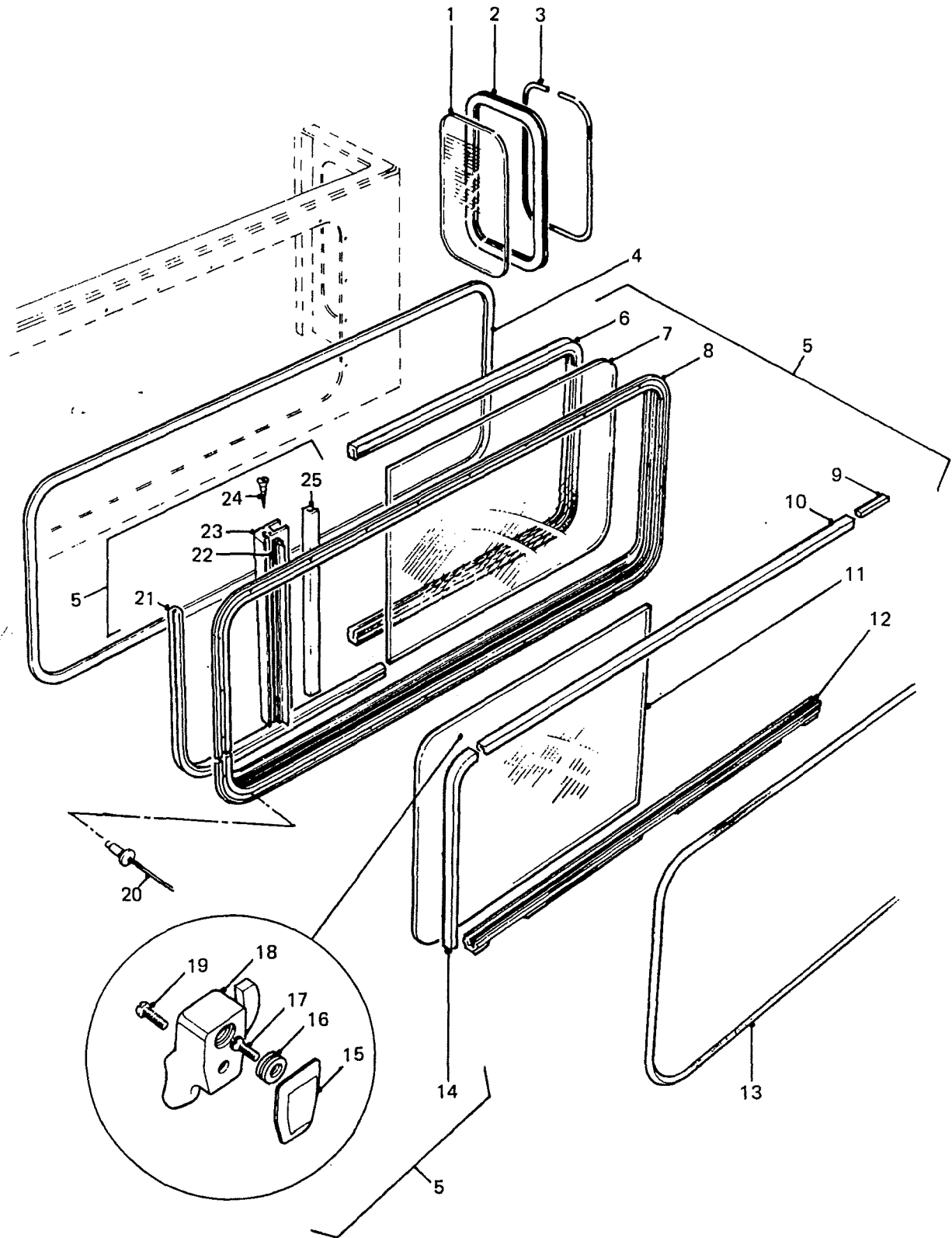


**REAR BODY UPPER – WINDOWS
– STATION WAGONS ONLY**

PERENTIE LAND ROVER PARTS LIST

ITEM	PART NO.	DESCRIPTION	NSN	DERIVATIVE CODE							CP	
				2188	2189	2190	2191	2192	2194	2195		
1	MTC3476	GLASS-REAR END	2510-99-785-7369							2	2	
2	R306287	GLAZING STRIP	9320-99-849-8393							2	2	
3	R306289	FILLER STRIP	9320-99-849-8394							2	2	
4	MUC1008	SEAL	9320-66-128-5194							1	1	
5	MUC3766	WINDOW ASSY-RH (INCL ITEMS 6-12,14-18,19,21-25)	2510-66-128-5224							1	1	
5	MUC3767	WINDOW ASSY-LH (INCL ITEMS 6-12,14-18,19,21-25)	2510-66-128-5222							1	1	
6	MUC1484	GLAZING RUBBER	5330-66-128-5198							2	2	
7	MUC3792	GLASS-REAR	2510-66-128-5220							2	2	
8	NSS											
9	MUC4025	RUBBER-STOP	5340-66-128-5182							2	2	
10	MUC3096	FELT-TOP	5330-66-128-5201							2	2	
11	MUC3791	GLASS-FRONT	2510-66-128-5223							2	2	
12	MTC8947	RUNNER-BOTTOM	2510-66-128-5227							2	2	
13	MUC1005	FILLER STRIP	5330-66-128-5197							2	2	
14	MUC3097	FELT	5330-66-128-5200							2	2	
15	MUC1704	FIXING BLOCK	5340-66-128-5181							2	2	
16	MUC1705	BUTTON-CATCH	5325-66-128-5266							2	2	
17	MUC1706	SCREW	5305-66-128-5170							2	2	
18	MTC8270	CATCH-RH	2540-66-128-5221							1	1	
18	MTC8271	CATCH-LH	2540-66-128-5219							1	1	
19	MUC1707	SCREW	5305-66-128-5171							2	2	
20	RU610313L	POP RIVET	5320-66-128-5185							48	48	
21	MUC3768	STRIP-FILLER	5330-66-128-5196							2	2	
22	MUC3769	SEAL	5330-66-128-5199							2	2	
23	MUC3770	DRAUGHT RAIL								2	2	
24	AC606081L	SCREW-DRIVE								4	4	
25	MUC1098	GLAZING STRIP	5330-66-128-5192							2	2	

GROUP SRD



**REAR BODY UPPER – WINDOWS
– STATION WAGONS ONLY**

PERENTIE LAND ROVER PARTS LIST

SRD/1/1

REAR BODY UPPER - WINDOWS - STATION WAGONS ONLY

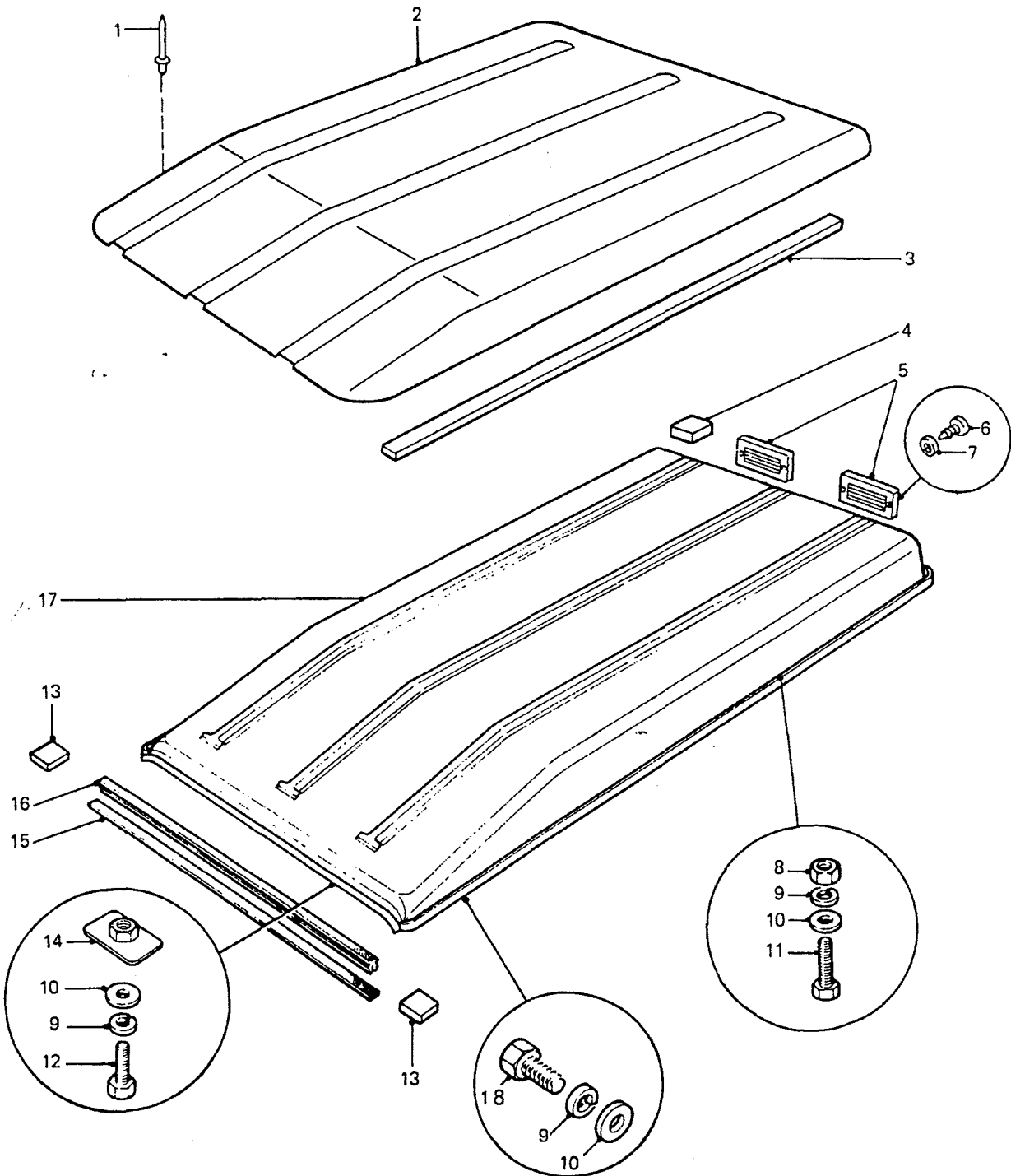
DERIVATIVE CODE

<u>ITEM</u>	<u>PART NO.</u>	<u>DESCRIPTION</u>	<u>NSN</u>	<u>2188</u>	<u>2189</u>	<u>2190</u>	<u>2191</u>	<u>2192</u>	<u>2194</u>	<u>2195</u>	<u>2207</u>	<u>CP</u>
	MUC3771	SPACER-DRAUGHT RAIL								2	2	

CHANGE POINT

ARN INTRODUCTION

GROUP SRE



**ROOF PANELS
- HARD TOP VARIANTS ONLY**

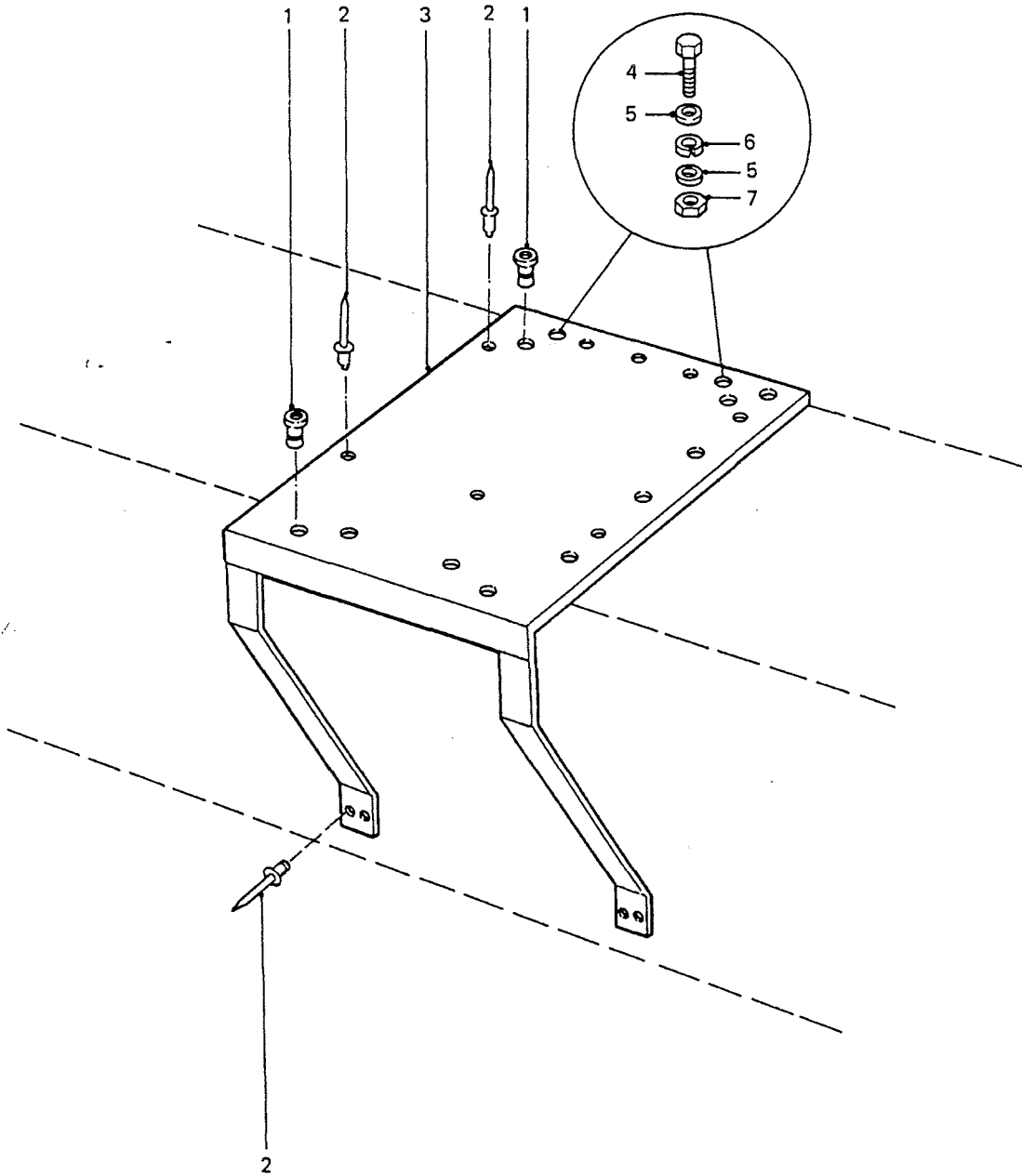
PERENTIE LAND ROVER PARTS LIST

<u>ITEM</u>	<u>SRE/1/1</u> <u>PART NO.</u>	<u>ROOF PANELS - HARD TOP VARIANTS ONLY</u> <u>DESCRIPTION</u>	<u>NSN</u>	<u>DERIVATIVE CODE</u>								
				<u>2188</u>	<u>2189</u>	<u>2190</u>	<u>2191</u>	<u>2192</u>	<u>2194</u>	<u>2195</u>	<u>2207</u>	<u>CP</u>
1	MYH3272	RIVET-POP						24	24	24		
2	HYG5399	ROOF-TROPICAL						1	1	1		
3	MYH5339	SEAL-ROOF (MYH5339/10,004)	9320-66-128-5195					1	1	1		
4	R333487	SEAL RUBBER	5330-99-844-9749					4	4	4		
5	MWC3141	VENT-ROOF						2	2	2		
6	AB606044	SCREW	5305-66-128-4609					4	4	4		
7	WA104004L	WASHER-PLAIN						4	4	4		
8	NH106041L	NUT	5310-66-098-4401					30	30	30		
9	WL106001L	WASHER-LOCK	5310-99-137-9232					38	38	38		
10	WA106041L	WASHER-PLAIN	5310-66-098-4440					38	38	38		
11	FS106201	SCREW	5305-99-122-5361					36	36	36		
12	FS106161	SCREW	5305-99-122-5360					8	8	8		
13	MUC6400	SEAL						2	2	2		
14	MTC3203	NUT PLATE-ROOF						6	6	6		
15	MTC6568	SEAL-OUTER	9320-66-128-5193					1	1	1		
16	MTC4994	SEAL-INNER						1	1	1		
17	HYG2160	ROOF ASSY						1				
17	STC615	ROOF ASSY							1	1		
18	SH106251L	SCREW	5305-99-122-5362					2	2	2		
	MTC3474	GLASS-SIDELIGHT						2				
	R302177	WEATHER STRIP						2				
	R302178	FILLER STRIP						2				

CHANGE POINT

ARN INTRODUCTION

GROUP SRF/1



**RADIO TRAY
– HARD TOP SURVEY ONLY**

PERENTIE LAND ROVER PARTS LIST

SRF/1/1

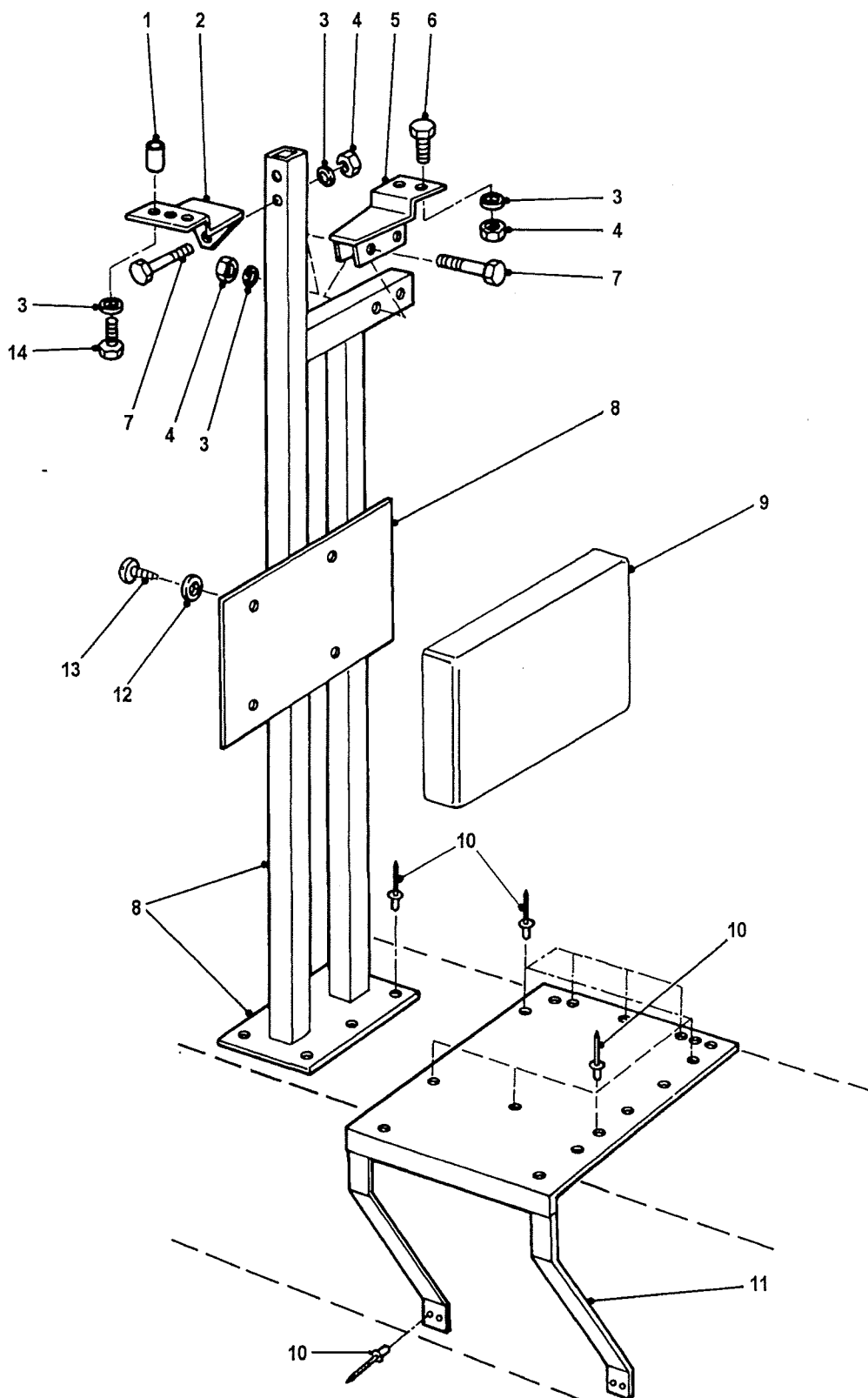
RADIO TRAY - HARD TOP SURVEY ONLY

<u>ITEM</u>	<u>PART NO.</u>	<u>DESCRIPTION</u>	<u>NSN</u>	<u>DERIVATIVE CODE</u>								
				<u>2188</u>	<u>2189</u>	<u>2190</u>	<u>2191</u>	<u>2192</u>	<u>2194</u>	<u>2195</u>	<u>2207</u>	<u>CP</u>
1	NN106021	NUTSERT	5310-99-138-4838									4
2	R78248	POP RIVET	5320-99-970-3518									12
3	AYG9813	BRKT-MTG-FFR RADIO										1
4	SH106121L	SCREW	5305-99-122-5359									4
5	WL106001L	WASHER-LOCK	5310-99-137-9232									2
6	WA106041L	WASHER-PLAIN	5310-66-098-4440									4
7	NH106041L	NUT	5310-66-098-4401									2

CHANGE POINT

ARN INTRODUCTION

GROUP SRF/2



**DISTRIBUTION BOX MOUNTING
AND RADIO TRAY
– FFR STATION WAGON ONLY**

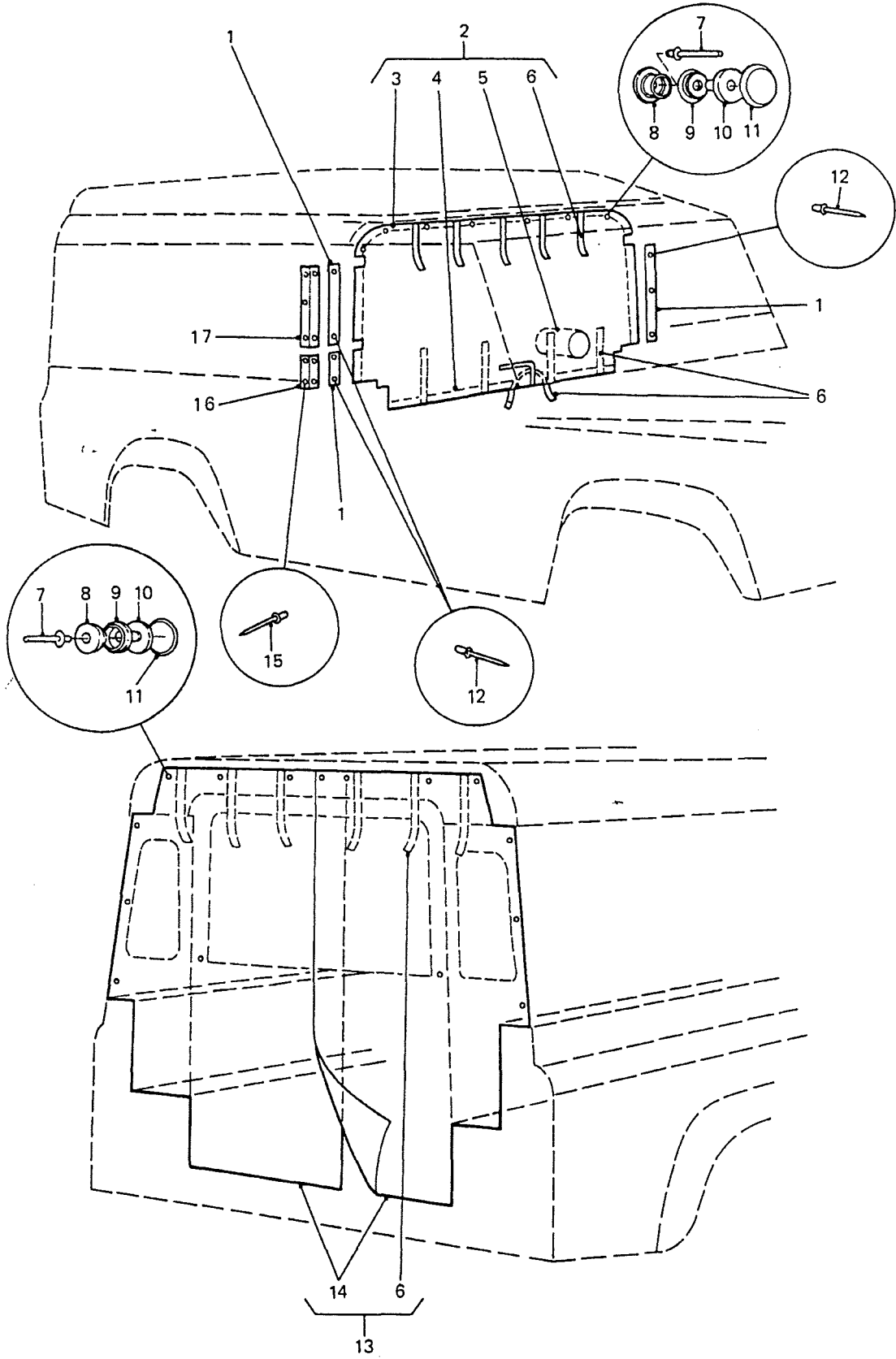
PERENTIE LAND ROVER PARTS LIST

<u>ITEM</u>	<u>PART NO.</u>	<u>DESCRIPTION</u>	<u>NSN</u>	<u>DERIVATIVE CODE</u>							<u>CP</u>
				<u>2188</u>	<u>2189</u>	<u>2190</u>	<u>2191</u>	<u>2192</u>	<u>2194</u>	<u>2195</u>	
1	NN106021	NUTSERT	5310-99-138-4838								3
2	AYG9816	BRACKET-MTG									1
3	WL106001L	WASHER-LOCK	5310-99-137-9232								9
4	NH106041L	NUT	5310-66-098-4401								6
5	AYG9815	STAY									1
6	FS106201	SCREW	5305-99-122-5361								2
7	BH106081L	BOLT	5306-99-122-5246								4
8	AYG9814	MOUNTING FRAME									1
9	HYG3507	PROTECTOR-HEAD									1
10	R78248	POP RIVET	5320-99-970-3518								18
11	AYG9813	BRKT-MTG-FFR RADIO									1
12	AFU1248	WASHER-PLAIN-PLASTIC	5310-66-128-4907								4
13	AB610124L	SCREW-SELF TAPPING									4
14	FS106101	SCREW									3

CHANGE POINT

ARN INTRODUCTION

GROUP SRG



**BLACKOUT CURTAINS
- HARD TOP SURVEY ONLY**

PERENTIE LAND ROVER PARTS LIST

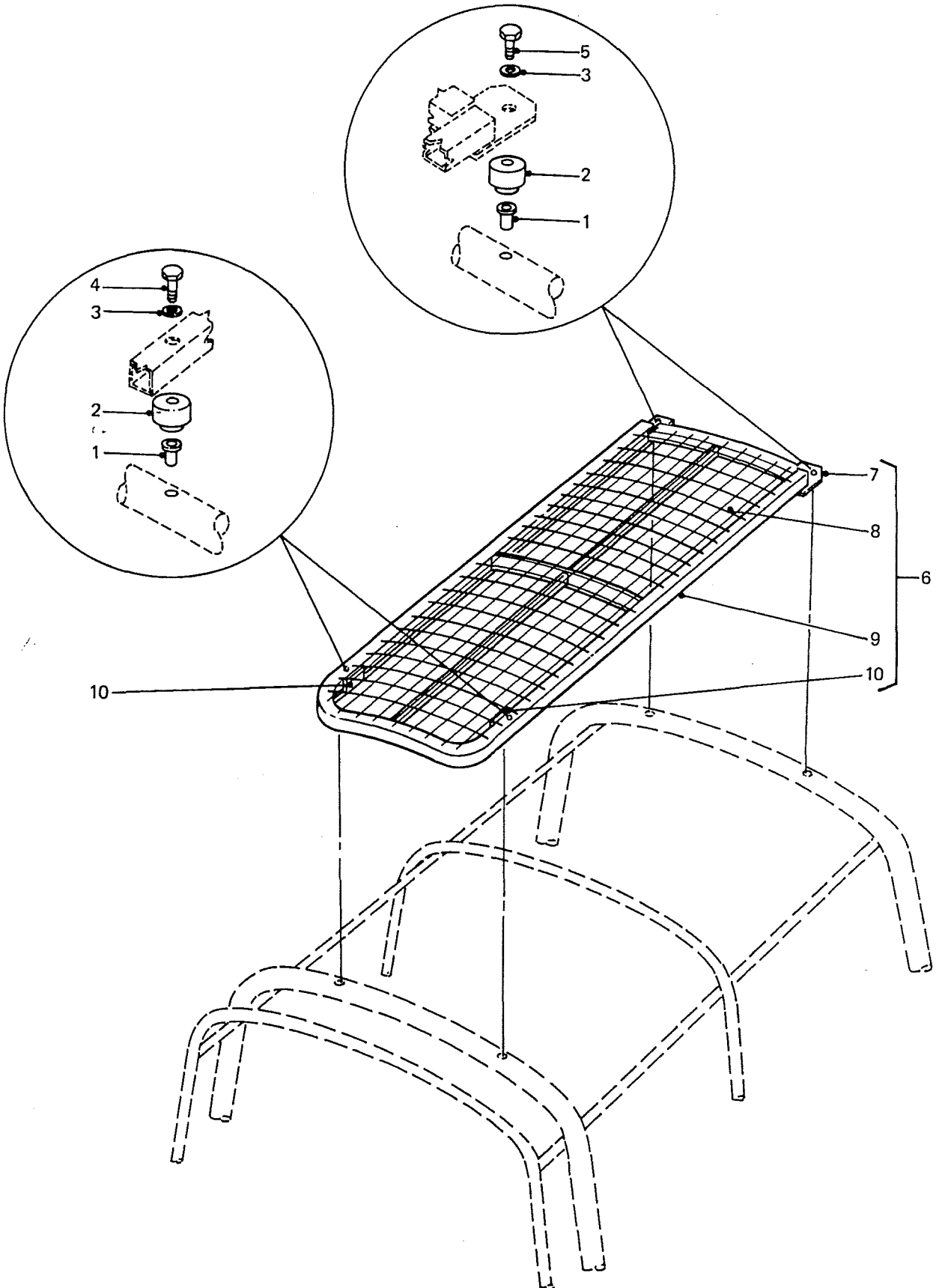
SRG/1/1 BLACKOUT CURTAINS - HARD TOP SURVEY ONLY

ITEM	PART NO.	DESCRIPTION	NSN	DERIVATIVE CODE								
				2188	2189	2190	2191	2192	2194	2195	2207	CP
1	NSS											
2	HYG2061	CURTAIN-BLACKOUT-BULKHEAD										1
3	NSS											
4	NSS											
5	NSS											
6	NSS											
7	RU610253	POP RIVET										14
8	MYH3273	PRESS STUD										14
9	MYH3273	PRESS STUD										14
10	NSS											
11	NSS											
12	RA608183L	POP RIVET	5320-66-128-6335									6
13	HYG2063	CURTAIN-BLACKOUT-REAR DOOR										1
14	NSS											
15	R78248	POP RIVET	5320-99-970-3518									5
16	HYG2065	BRACKET-SECURING										1
17	HYG2064	BRACKET-SECURING										1

CHANGE POINT

ARN INTRODUCTION

GROUP SRH



**CAMOUFLAGE STOWAGE FRAME
– SOFT TOP VARIANTS ONLY**

PERENTIE LAND ROVER PARTS LIST

SRH/1/1

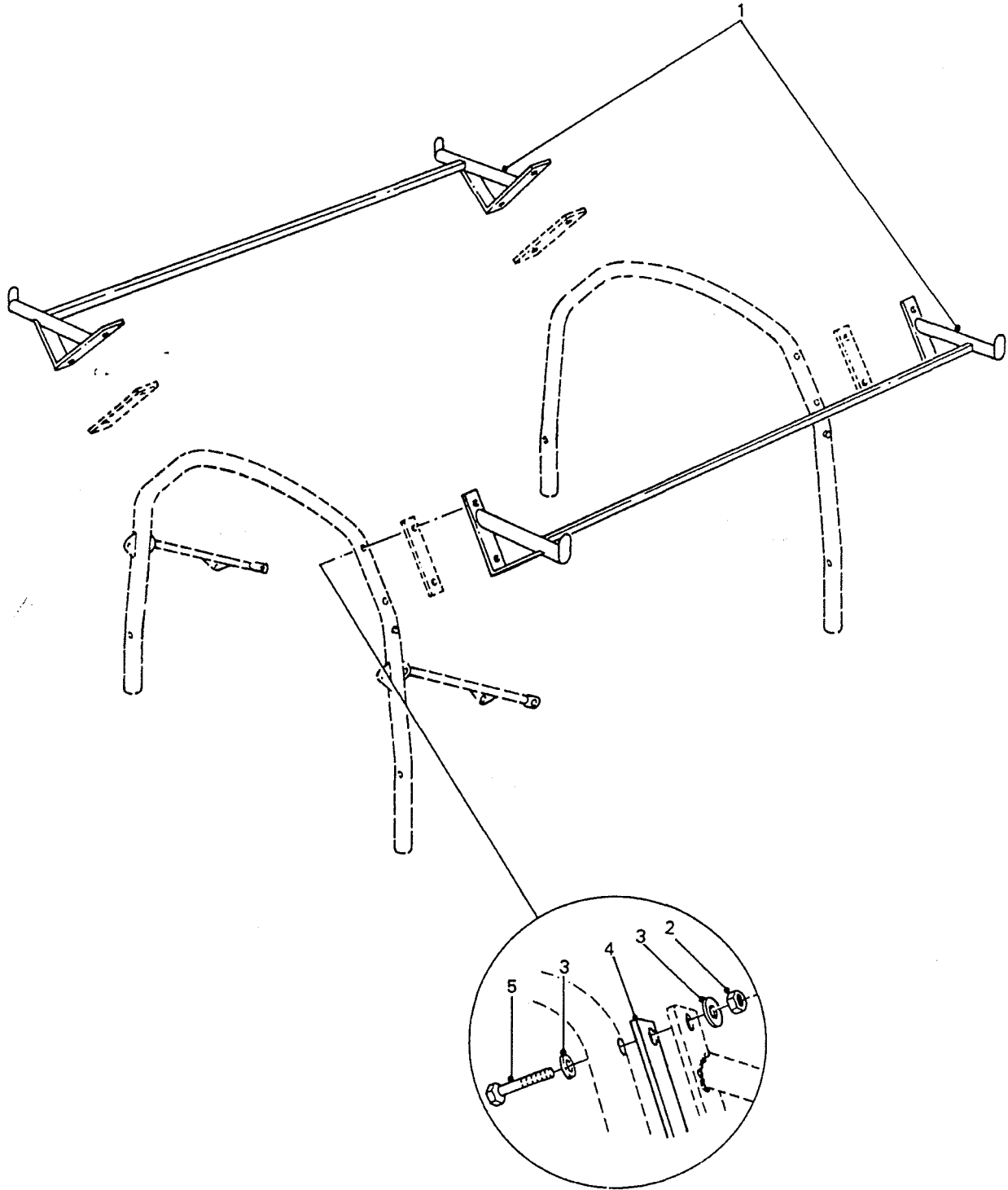
CAMOUFLAGE STOWAGE FRAME - SOFT TOP VARIANTS ONLY

ITEM	PART NO.	DESCRIPTION	NSN	DERIVATIVE CODE							CP
				2188	2189	2190	2191	2192	2194	2195	
1	MM108301	RIVNUT	5310-99-772-5133	4	4	4	4				4
2	MYH3383	RUBBER MOUNTING		4	4	4	4				4
3	WJ108001	WASHER-PLAIN	5310-12-154-2190	4	4	4	4				4
4	FB108141	BOLT		2	2	2	2				2
5	BH108091L	BOLT	5306-99-122-5255	2	2	2	2				2
6	HYG3390	FRAME-CAMOUFLAGE STOWAGE	2510-66-128-5943	1	1	1	1				1
7	R332582	PAD MOUNTING		2	2	2	2				2
8	NSS										
9	NSS										
10	NSS										
	MYH3272	RIVET-POP-MTG. PAD TO FRAME		2	2	2	2				2

CHANGE POINT

ARN INTRODUCTION

GROUP SRJ



**BOAT RACK
- RFSV ONLY**

PERENTIE LAND ROVER PARTS LIST

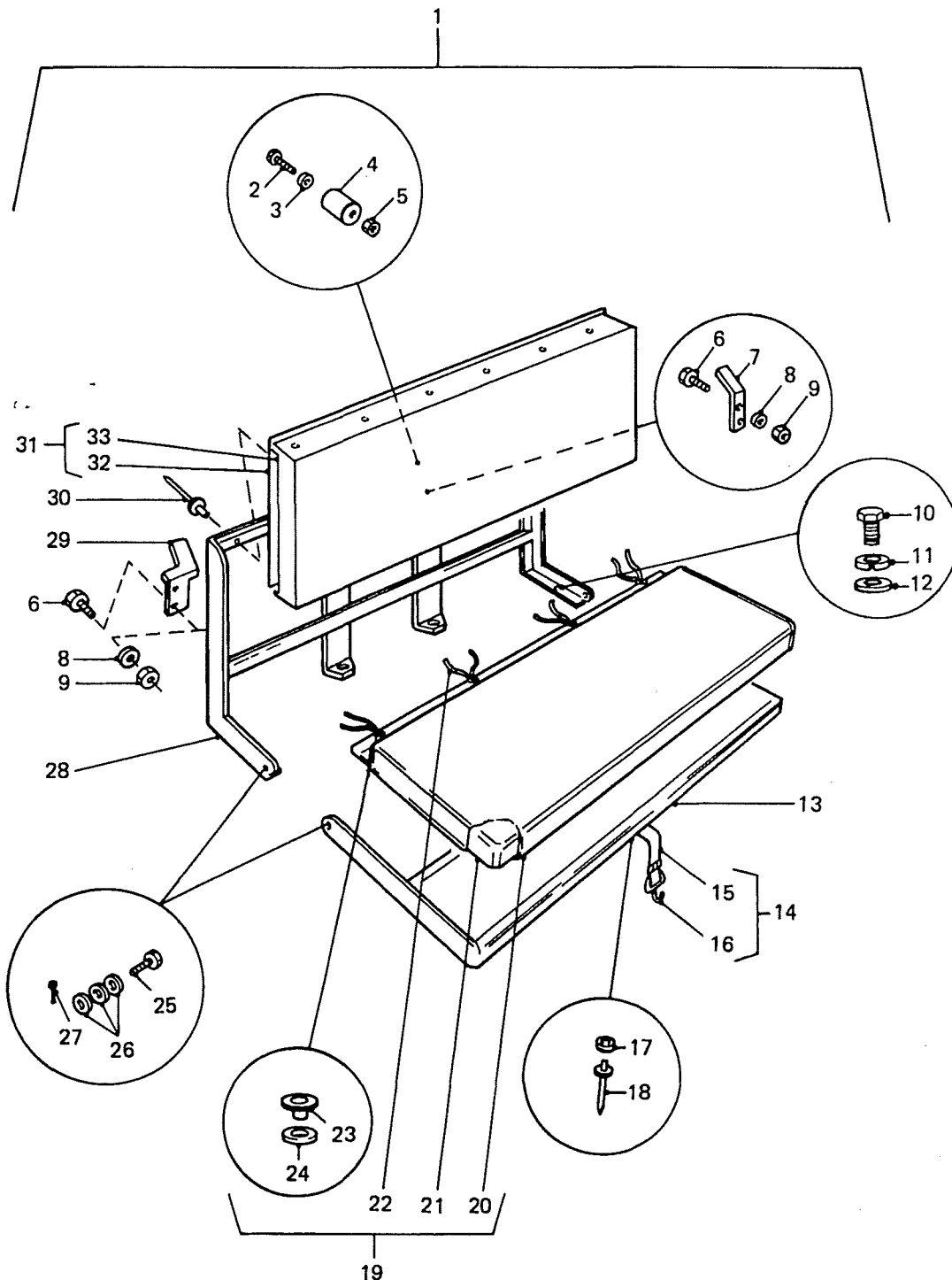
SRJ/1/1 BOAT RACK - RFSV ONLY

<u>ITEM</u>	<u>PART NO.</u>	<u>DESCRIPTION</u>	<u>NSN</u>	<u>DERIVATIVE CODE</u>							<u>CP</u>
				<u>2188</u>	<u>2189</u>	<u>2190</u>	<u>2191</u>	<u>2192</u>	<u>2194</u>	<u>2195</u>	
1	HYG3691	FRAME-STOWAGE-BOAT									2
2	NY108041L	NUT-NYLOC	5310-99-122-5496								8
3	WC108051L	WASHER-PLAIN									16
4	HYG3697	GASKET-FRAME	5330-66-128-6223								4
5	FB108161	BOLT									8

CHANGE POINT

ARN INTRODUCTION

GROUP SS/1

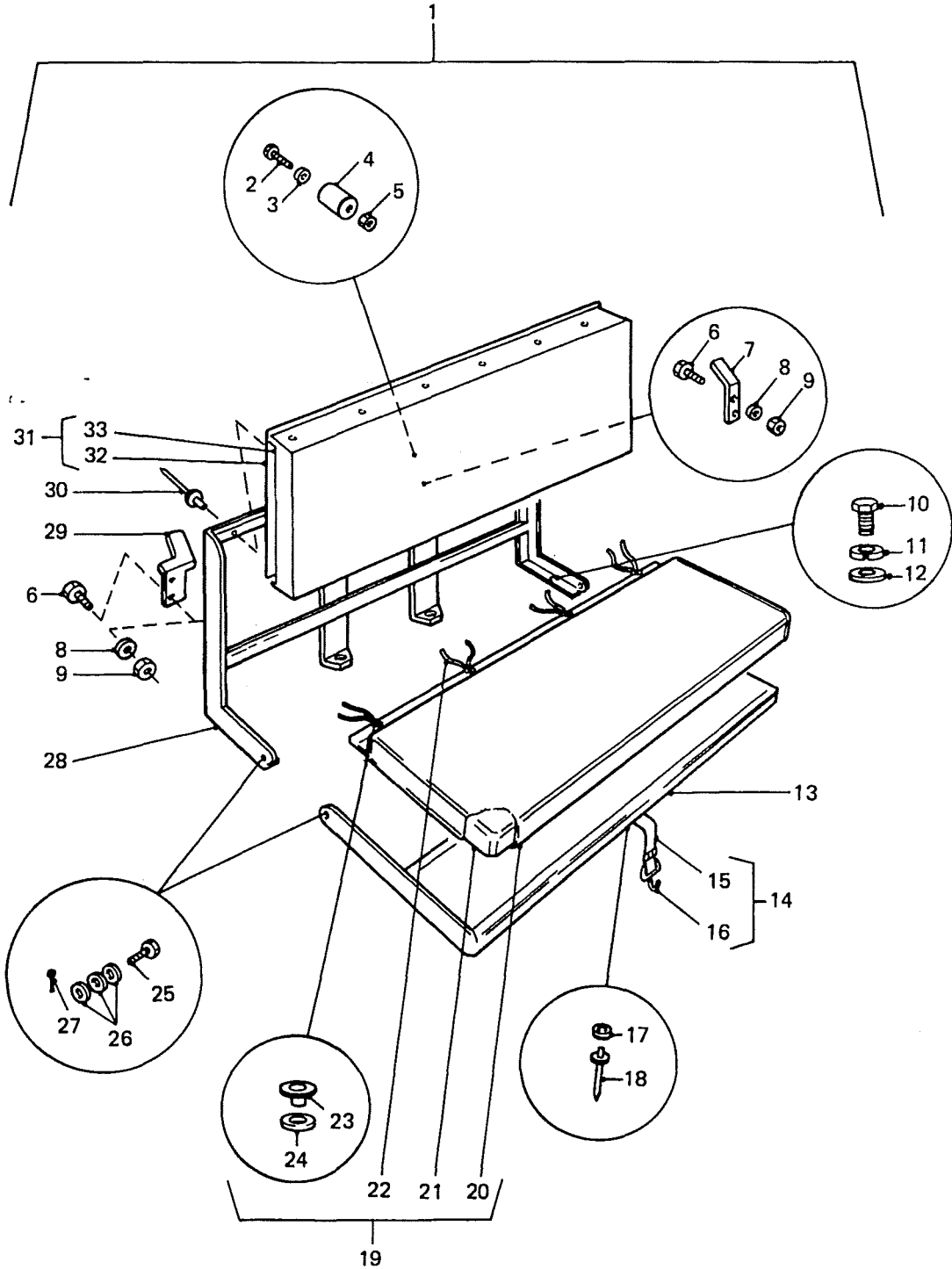


**REAR INWARD FACING SEATS
– SOFT TOP CARGO VARIANTS ONLY**

PERENTIE LAND ROVER PARTS LIST

ITEM	SS /1/1 PART NO.	REAR INWARD FACING SEATS - SOFT TOP CARGO VARIANTS ONLY DESCRIPTION	NSN	DERIVATIVE CODE								
				2188	2189	2190	2191	2192	2194	2195	2207	CP
1	HYG1714	FRAME & SQUAB ASSY-RH		1	1							
1	HYG1715	FRAME & SQUAB ASSY-LH		1	1							
2	SE104201	SCREW	5305-66-128-4705	8	8							
3	WA104001L	WASHER-PLAIN	5310-99-122-3031	8	8							
4	R304125	BUFFER	2540-99-849-9810	8	8							
5	NH104041L	NUT	5310-66-128-4720	8	8							
6	FS106161	SCREW	5305-99-122-5360	16	16							
7	HYG1712	CLIP		6	6							
8	WL106001L	WASHER-LOCK	5310-99-137-9232	16	16							
9	NH106041L	NUT	5310-66-098-4401	16	16							
10	SH110301	SCREW	5305-66-098-4283	8	8							
11	WL110001L	WASHER-LOCK	5310-99-138-9228	8	8							
12	WA110061L	WASHER-PLAIN	5310-99-122-6476	8	8							
13	HYG1698	FRAME-CUSHION	2540-66-128-4946	2	2							
14	HYG1833	STRAP-SEATS	5340-66-128-4719	2	2							
15	NSS											
16	R301005	HOOK		2	2							
17	WC105001L	WASHER-PLAIN	5310-99-122-3032	2	2							
18	RU612503	POP RIVET	5320-66-128-4721	2	2							
19	HYG1707	CUSHION-REAR	2540-66-128-4947	2	2							
20	NSS											
21	NSS											
22	NSS											
23	NSS											
24	NSS											
25	PC108241	PIN-CLEVIS	5315-66-128-4718	4	4							
26	WA108051L	WASHER-PLAIN	5310-99-122-6475	12	12							
27	PS104121L	SPLIT PIN	5315-66-128-5104	4	4							
28	HYG1692	FRAME ASSY-SQUAB-RH	2540-66-128-5376	1	1							

GROUP SS/1



**REAR INWARD FACING SEATS
– SOFT TOP CARGO VARIANTS ONLY**

PERENTIE LAND ROVER PARTS LIST

SS /1/1

REAR INWARD FACING SEATS - SOFT TOP CARGO VARIANTS ONLY

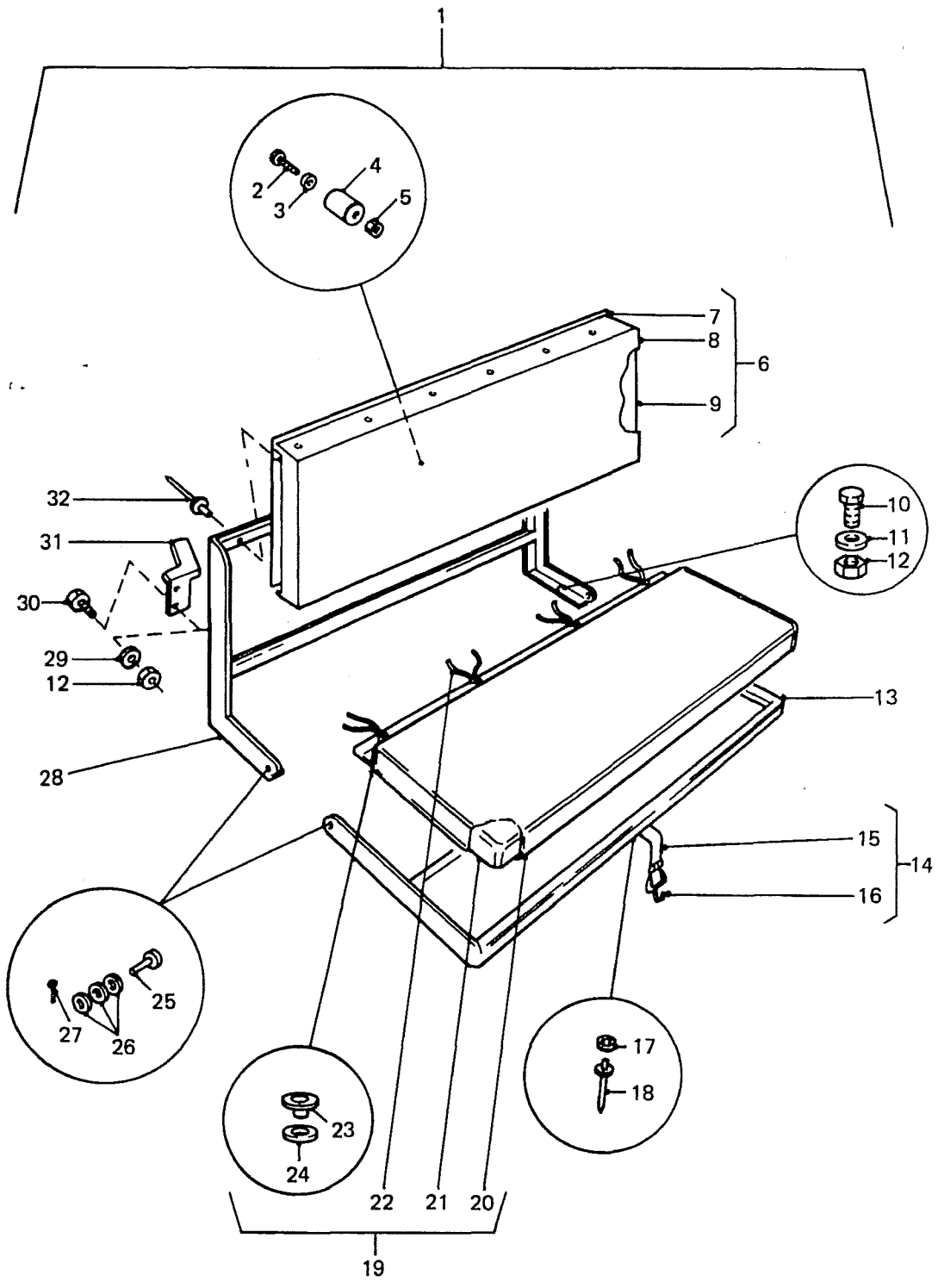
DERIVATIVE CODE

<u>ITEM</u>	<u>PART NO.</u>	<u>DESCRIPTION</u>	<u>NSN</u>	<u>2188</u>	<u>2189</u>	<u>2190</u>	<u>2191</u>	<u>2192</u>	<u>2194</u>	<u>2195</u>	<u>2207</u>	<u>CP</u>
28	HYG1693	FRAME ASSY-SQUAB-LH	2540-66-128-4948	1	1							
29	MTC6452	CLIP-SECURING-RH		1	1							
29	MTC6453	CLIP-SECURING-LH		1	1							
30	RA612253L	POP RIVET	5320-66-128-5117	20	20							
31	HYG1704	SQUAB-REAR SEAT	2540-66-128-4950	2	2							
32	NSS											
33	NSS											

CHANGE POINT

ARN INTRODUCTION

GROUP SS/2

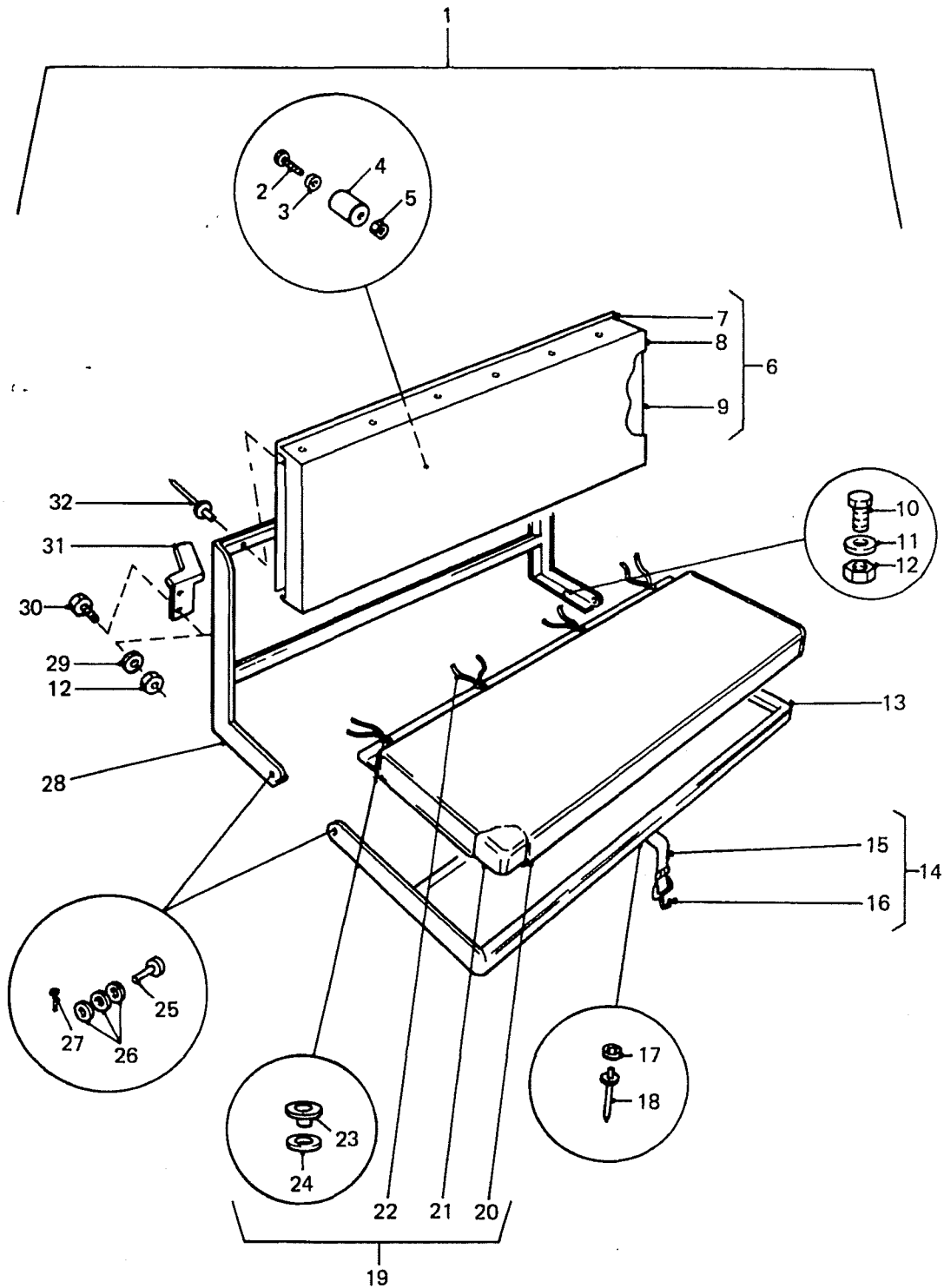


**REAR INWARD FACING SEATS
– HARD TOP VARIANTS ONLY**

PERENTIE LAND ROVER PARTS LIST

ITEM	PART NO.	DESCRIPTION	NSN	DERIVATIVE CODE							CP
				2188	2189	2190	2191	2192	2194	2195	
1	HYG2456	FRAME & SQUAB ASSY						2	1	2	
2	SE104201	SCREW	5305-66-128-4705					4	2	4	
3	WA104001L	WASHER-PLAIN						4	2	4	
4	R304125	BUFFER	2540-99-849-9810					4	2	4	
5	NH104041L	NUT	5310-66-128-4720					4	2	4	
6	HYG2471	SQUAB ASSY-REAR	2540-66-128-5230					2	1	2	
7	NSS										
8	NSS										
9	NSS										
10	FS110301	SCREW						4	2	4	
11	WA110061L	WASHER-PLAIN	5310-99-122-6476					4	2	4	
11	WL110001L	WASHER-LOCK	5310-99-138-9228					4	2	4	
12	NH106041L	NUT	5310-66-098-4401					4	2	4	
13	HYG2469	FRAME-CUSHION	2540-66-128-5229					2	1	2	
14	HYG1833	STRAP-SEATS	5340-66-128-4719					2	1	2	
15	NSS										
16	R301005	HOOK						2	1	2	
17	WC105001L	WASHER-PLAIN						2	1	2	
18	RU612503	POP RIVET	5320-66-128-4721					2	1	2	
19	HYG2480	CUSHION ASSY	2540-66-128-5228					2	1	2	
20	NSS										
21	NSS										
22	NSS										
23	NSS										
24	NSS										
25	PC108241	PIN-CLEVIS	5315-66-128-4718					4	2	4	
26	WA108051L	WASHER-PLAIN	5310-99-122-6475					4	2	4	
27	PS104121L	SPLIT PIN	5315-66-128-5104					4	2	4	
28	HYG2462	FRAME ASSY-SQUAB	2540-66-128-5231					2	1	2	

GROUP SS/2



**REAR INWARD FACING SEATS
– HARD TOP VARIANTS ONLY**

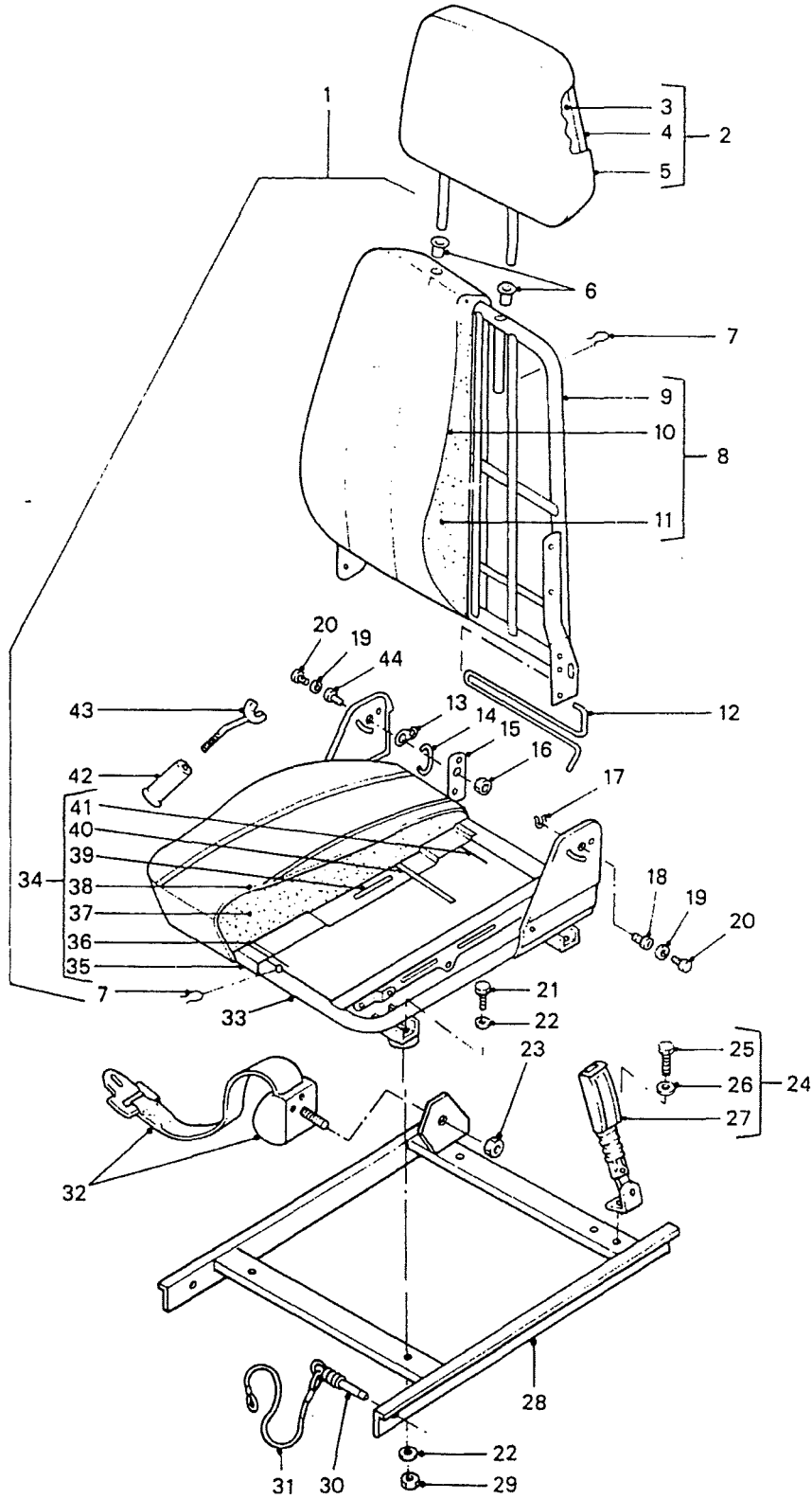
PERENTIE LAND ROVER PARTS LIST

<u>ITEM</u>	<u>PART NO.</u>	<u>DESCRIPTION</u>	<u>NSN</u>	<u>DERIVATIVE CODE</u>							<u>CP</u>
				<u>2188</u>	<u>2189</u>	<u>2190</u>	<u>2191</u>	<u>2192</u>	<u>2194</u>	<u>2195</u>	
29	WL106001L	WASHER-LOCK	5310-99-137-9232					8	4	8	
30	FS106161	SCREW	5305-99-122-5360					8	4	8	
31	MTC6452	CLIP-RH						2	1	2	
31	MTC6453	CLIP-LH						2	1	2	
32	RA612253L	POP RIVET	5320-66-128-5117					16	8	16	
	MUC6123	SEAL-REAR LONGITUDINAL SEAT						4	2	4	

CHANGE POINT

ARN INTRODUCTION

GROUP SS/3 SHEET 1

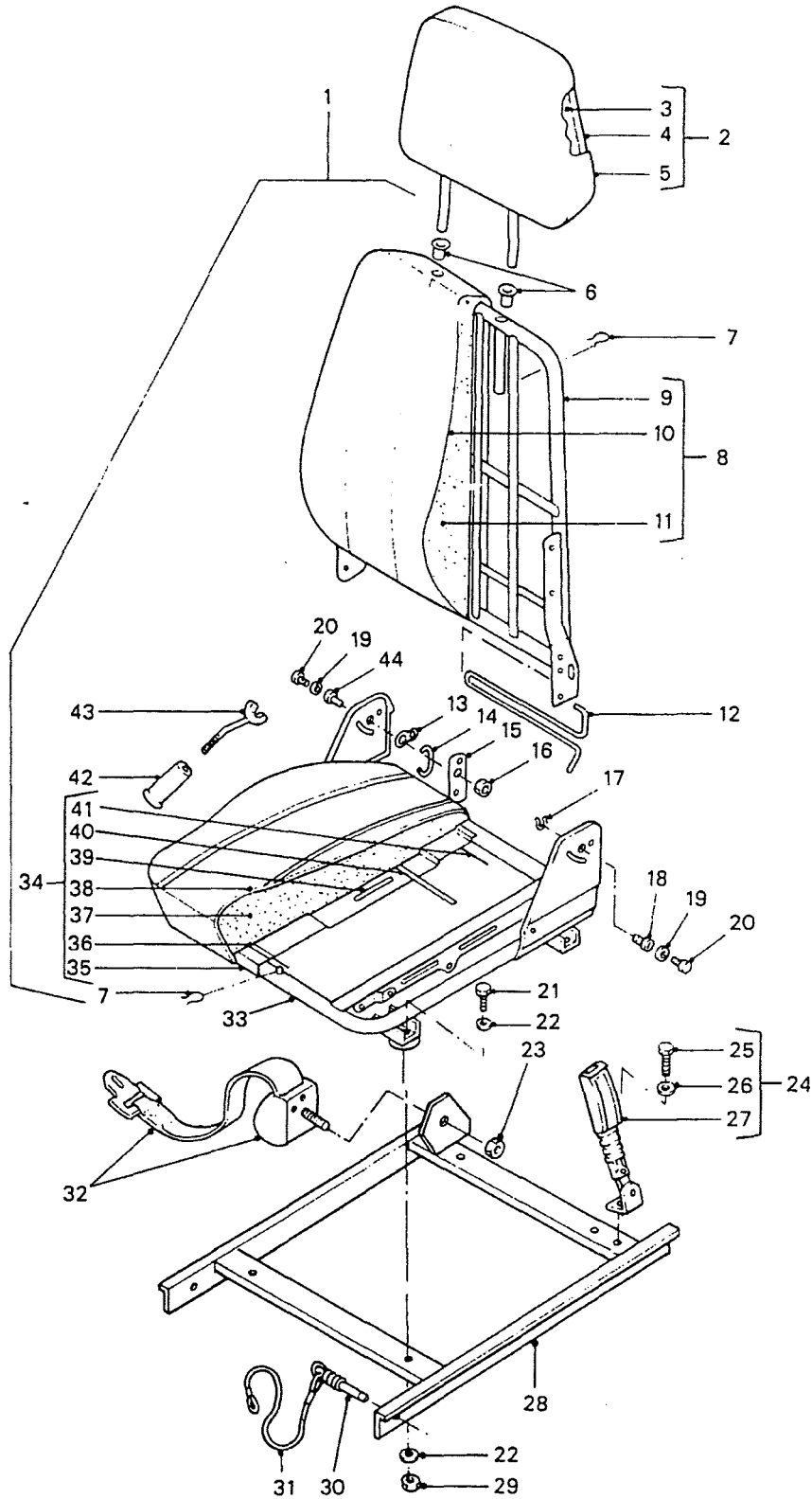


**REAR SEAT, MOUNTING AND SEAT BELT
– ISRI BRAND – RFSV ONLY**

PERENTIE LAND ROVER PARTS LIST

ITEM	SS /3/1 PART NO.	REAR SEAT, MOUNTING AND SEAT BELT - ISRI BRAND - RFSV ONLY DESCRIPTION	NSN	DERIVATIVE CODE							CP
				2188	2189	2190	2191	2192	2194	2195	
1	HYG5961	SEAT ASSY-REAR	2540-66-128-6180								1
2	HYG5671	HEADREST ASSY (INCLUDES ITEMS 3-5)									1
3	NSS										
4	NSS										
5	NSS										
6	HYM465	BUSH-GUIDE									2
7	HYL9613	CLIP-SPRING TENSION	5340-66-128-5942								3
8	HYL8690	SQUAB ASSY (INCLUDES ITEMS 9-11)	2540-66-128-4734								1
	HYG5609	COVER-SQUAB									1
9	NSS										
10	NSS										
11	NSS										
12	HYL8699	BAR-TORSION									1
13	HYL8681	LINK									1
14	HYL8682	SPRING-BOW									1
15	HYL8683	LEVER-TOOTHED									1
16	HYL8685	NUT	5310-66-128-4909								1
17	HYL8700	CIRCLIP	5365-66-128-4910								1
18	HYL8679	BUSH	3120-66-128-4913								1
19	HYL8694	WASHER-LOCK	5310-66-128-4911								2
20	HYL8680	BOLT	5306-66-128-4912								2
21	BH108111L	BOLT									2
	FB108081	BOLT									2
22	WC108051L	WASHER-PLAIN	5310-99-122-6475								8
23	NY607041L	NUT-NYLOC	5310-99-943-7650								2
24	HYG5575	STALK ASSY-SEAT BELT (INCLUDES ITEMS 25-27)	2540-66-128-6183								1
25	NSS										

GROUP SS/3 SHEET 1



**REAR SEAT, MOUNTING AND SEAT BELT
 – ISRI BRAND – RFSV ONLY**

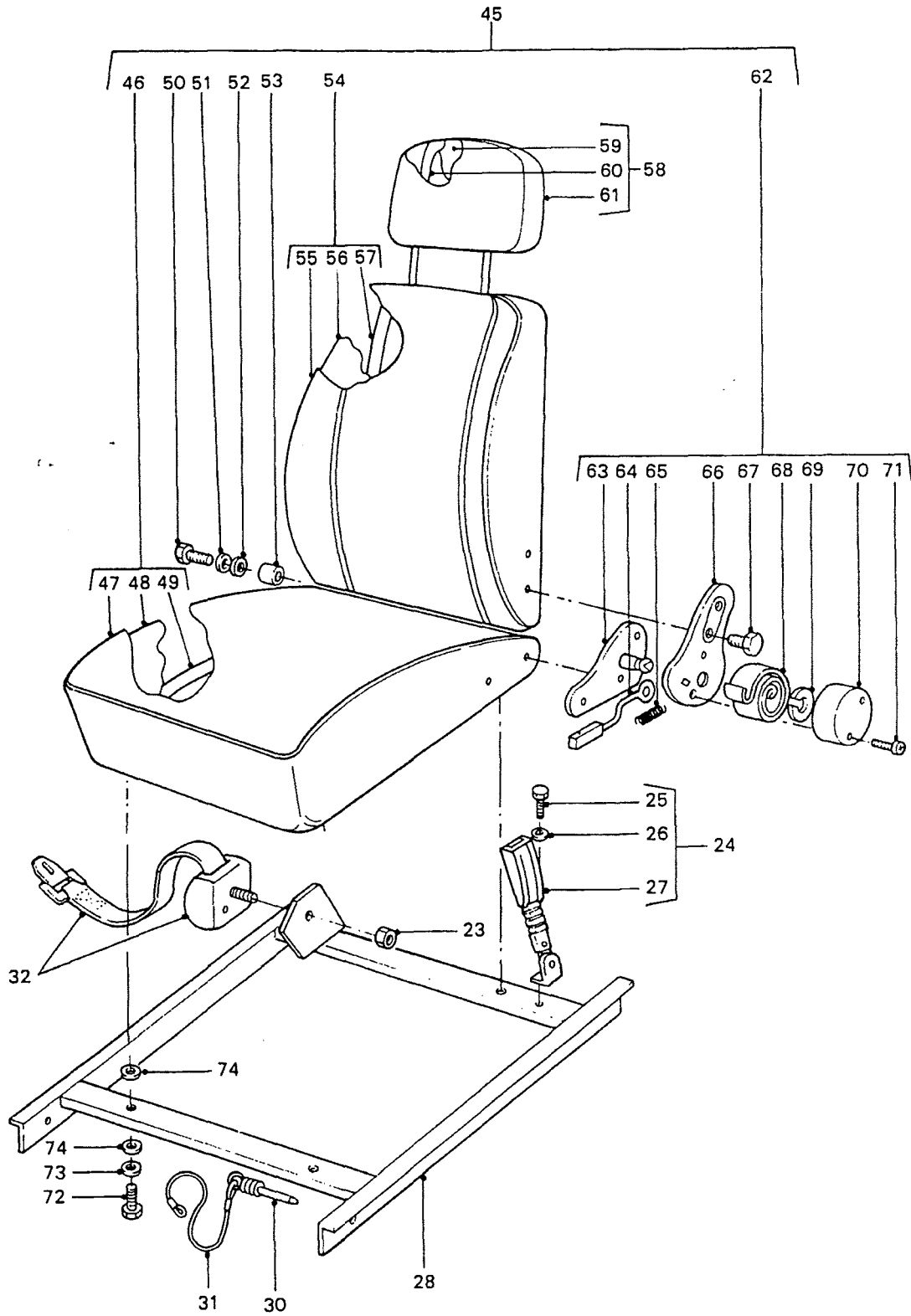
PERENTIE LAND ROVER PARTS LIST

ITEM	SS /3/1 PART NO.	REAR SEAT, MOUNTING AND SEAT BELT - ISRI BRAND - RFSV ONLY DESCRIPTION	NSN	DERIVATIVE CODE							CP
				2188	2189	2190	2191	2192	2194	2195	
26	NSS										
27	NSS										
28	HYG5574	BASE-REAR SEAT								1	
29	NY108041L	NUT-NYLOC	5310-99-122-5496							4	
30	MYH3526	PIN-PIP								4	
31	HYG4079	CORD-RETENTION								4	
32	HYG4649	SEAT BELT ASSY	2540-66-128-6182							1	
33	HYL9615	FRAME-CUSHION								1	
34	HYL8692	CUSHION ASSY (INCLUDES ITEMS 35-41)	2540-66-128-4748							1	
	HYG5608	COVER-CUSHION								1	
35	NSS										
36	NSS										
37	NSS										
38	NSS										
39	NSS										
40	NSS										
41	NSS										
42	HYL8676	KNOB-RECLINER	2540-66-128-5031							1	
43	HYL8678	LEVER	2540-66-128-4769							1	
44	HYL8686	BOLT-CONNECTING	5306-66-128-4920							1	

CHANGE POINT

ARN INTRODUCTION

GROUP SS/3 SHEET 2

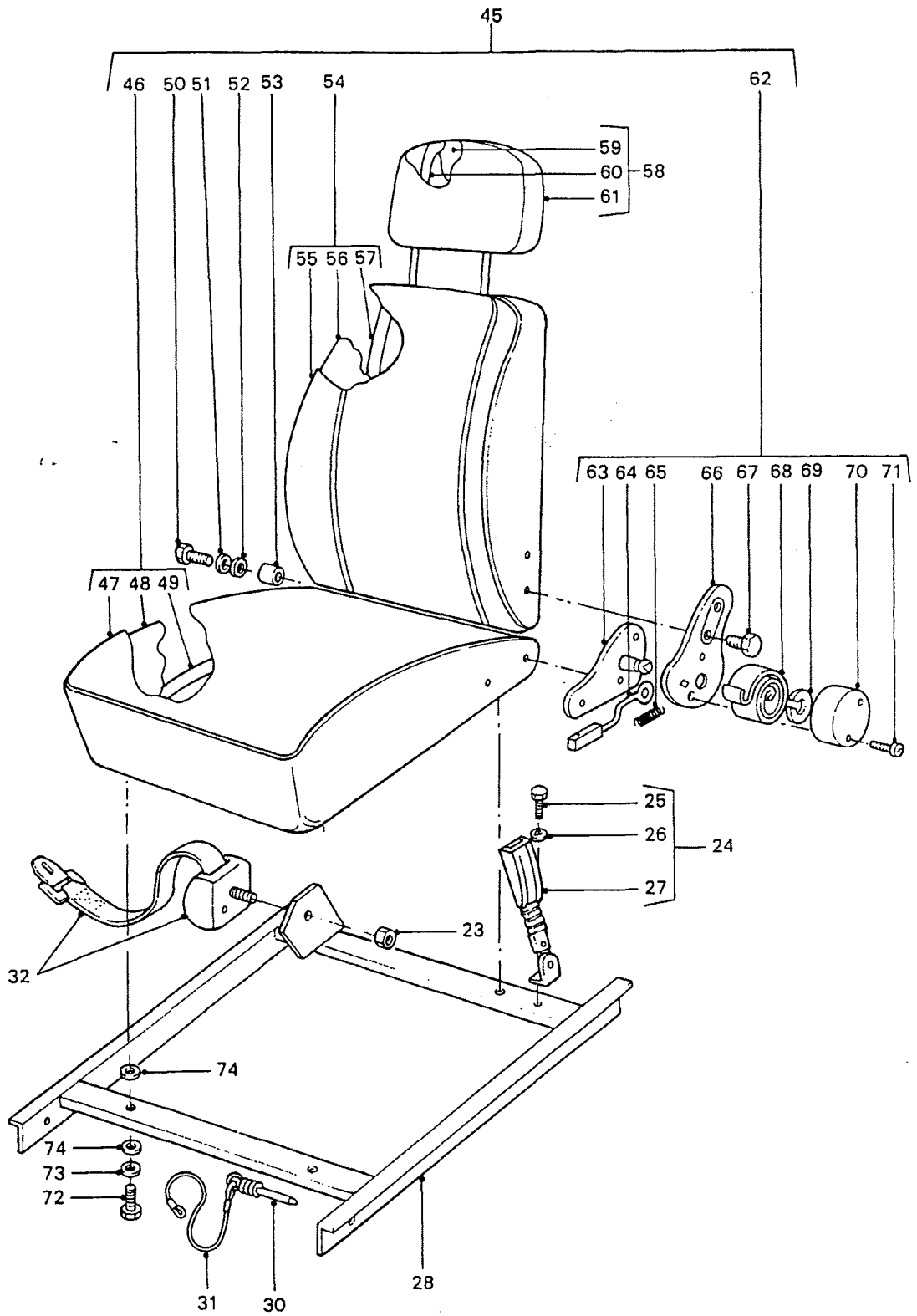


**REAR SEAT, MOUNTING AND SEAT BELT
- STRATOS BRAND - RFSV ONLY**

PERENTIE LAND ROVER PARTS LIST

ITEM	SS /3/2 PART NO.	REAR SEAT, MOUNTING AND SEAT BELT - STRATOS BRAND - RFSV ONLY DESCRIPTION	NSN	DERIVATIVE CODE							CP
				2188	2189	2190	2191	2192	2194	2195	
1	HYG4982	SEAT ASSY-REAR	2540-66-128-6181								1
2	HYM421	CUSHION-SEAT	2540-66-128-6169								1
3	NSS										
4	NSS										
5	NSS										
6	HYM429	SCREW	5305-66-128-6167								1
7	HYM445	WASHER-PLAIN	5310-66-128-6166								1
8	HYM446	WASHER-PLAIN	5310-66-128-6165								1
9	HYM430	BUSH-SEAT PIVOT	3120-66-128-6174								1
10	HYM415	SQUAB-SEAT (INCL. ITEMS 11-13)	2540-66-128-6176								1
11	NSS										
12	NSS										
13	NSS										
14	HYG5648	HEADREST ASSY (INCL. ITEMS 15-17)									1
15	NSS										
16	NSS										
17	NSS										
18	HYM418	RECLINER ASSY (INCLUDES ITEMS 19-27)	2540-66-128-6171								1
19	NSS										
20	NSS										
21	NSS										
22	NSS										
23	HYM427	SCREW	5305-66-128-6179								4
24	NSS										
25	NSS										
26	HYM447	COVER-RECLINER SPRING									1
27	SE104251	SCREW	5305-99-135-0426								2

GROUP SS/3 SHEET 2

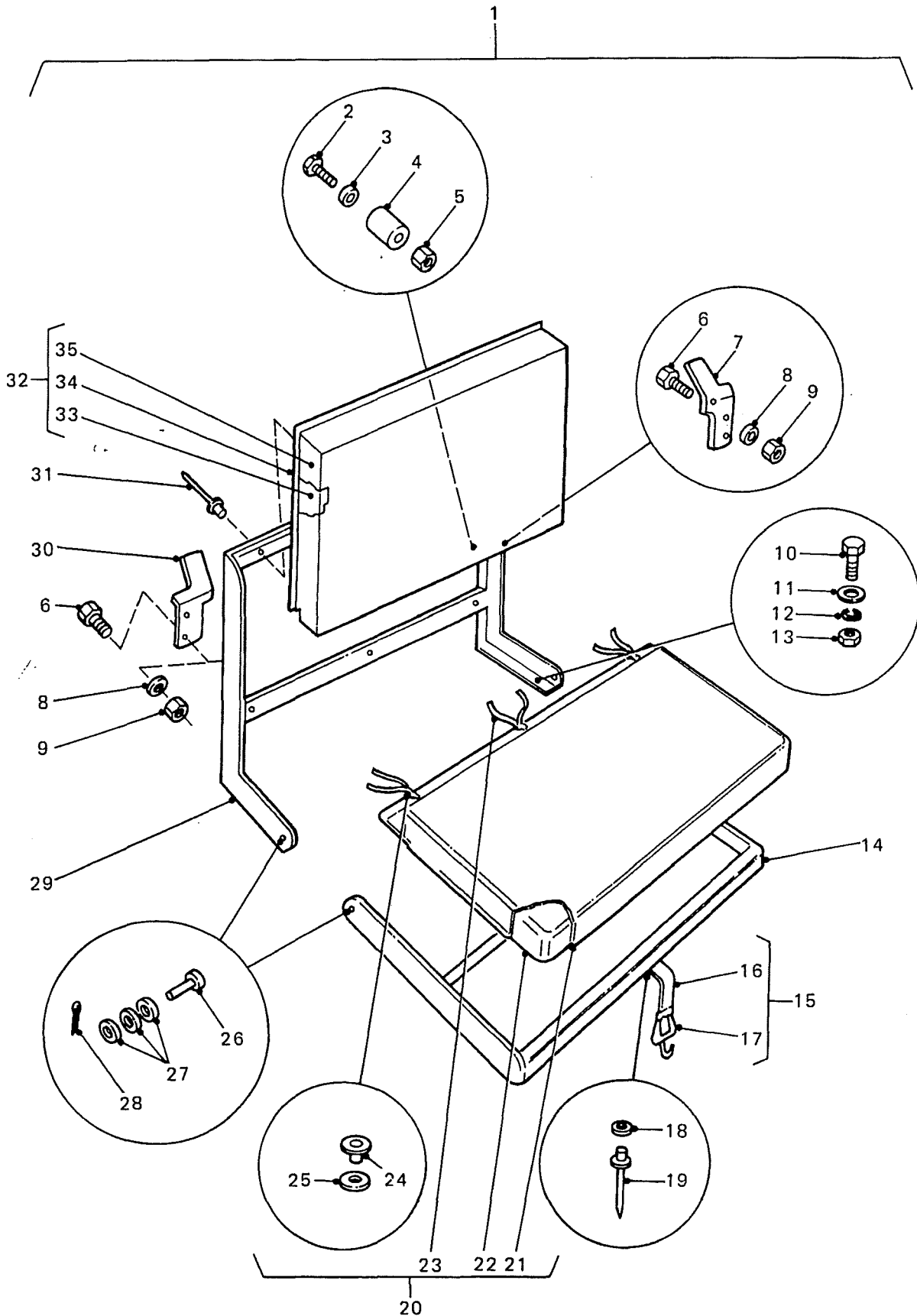


**REAR SEAT, MOUNTING AND SEAT BELT
- STRATOS BRAND - RFSV ONLY**

PERENTIE LAND ROVER PARTS LIST

<u>ITEM</u>	<u>SS /3/2</u> <u>PART NO.</u>	<u>REAR SEAT, MOUNTING AND SEAT BELT - STRATOS BRAND - RFSV ONLY</u> <u>DESCRIPTION</u>	<u>NSN</u>	<u>DERIVATIVE CODE</u>							<u>CP</u>
				<u>2188</u>	<u>2189</u>	<u>2190</u>	<u>2191</u>	<u>2192</u>	<u>2194</u>	<u>2195</u>	
28	FB108101	BOLT									4
29	WL108001L	WASHER-LOCK	5310-99-137-9231								4
30	WA105051L	WASHER-PLAIN	5310-99-122-6475								4
31	MYH3526	PIN-PIP	5340-99-970-8579								4
32	HYG4079	CORD	4020-66-128-6311								4
33	HYG4649	SEAT BELT ASSY	2540-66-128-6182								1
34	NY607041L	NUT	5310-99-941-7650								2
35	HYG5575	STALK-SEAT BELT	2540-66-128-6183								1
36	NSS										
37	NSS										
38	NSS										
39	HYG5574	BASE-SEAT MOUNTING									1
<u>CHANGE POINT</u>		<u>ARN INTRODUCTION</u>									

GROUP SSA

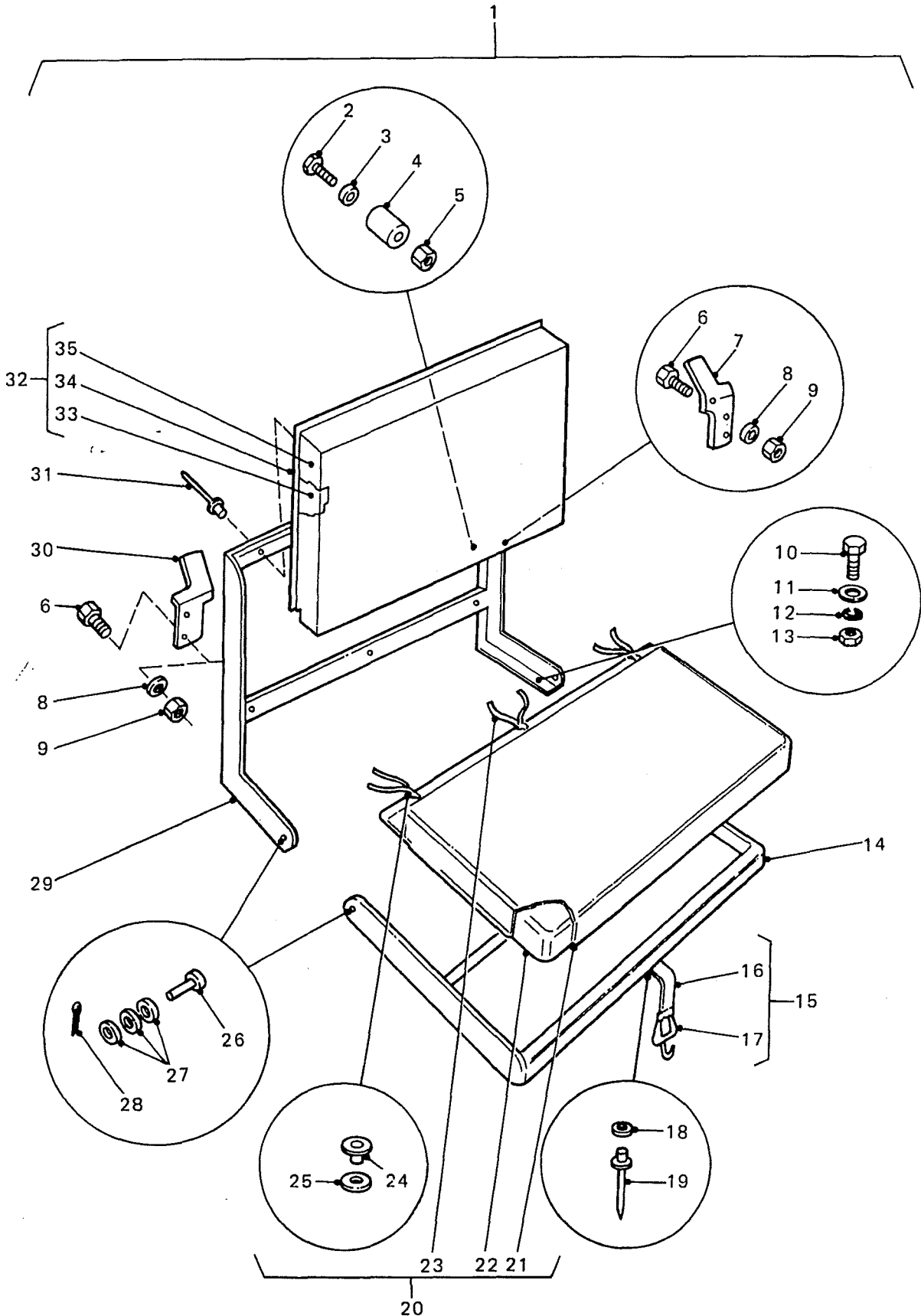


**REAR INWARD FACING SEAT
– RADIO OPERATOR – FFR VARIANTS ONLY**

PERENTIE LAND ROVER PARTS LIST

ITEM	SSA/1/1 PART NO.	REAR INWARD FACING SEAT-RADIO OPERATOR - FFR VARIANTS ONLY DESCRIPTION	NSN	DERIVATIVE CODE								
				2188	2189	2190	2191	2192	2194	2195	2207	CP
1	HYG3175	SEAT ASSY				2	2	2	1			
2	SE104201	SCREW	5305-66-128-4705			4	4	4	2			
3	WA104001L	WASHER-PLAIN	5310-99-122-3031			4	4	4	2			
4	R304125	BUFFER	2540-99-849-9810			4	4	4	2			
5	NH104041L	NUT	5310-66-128-4720			4	4	4	2			
6	FS106161	SCREW	5305-99-122-5360			8	8	8	4			
7	MTC6453	CLIP-BACKREST				2	2	2	1			
8	WL106001L	WASHER-LOCK	5310-99-137-9232			8	8	8	4			
9	NH106041L	NUT	5310-66-098-4401			8	8	8	4			
10	SH110251L	SCREW				4	4	4	2			
11	WC110061L	WASHER-PLAIN	5310-66-128-4614			4	4	4	2			
12	WL110001L	WASHER-LOCK	5310-99-138-9228			4	4	4	2			
13	FN110041	NUT				4	4	4	2			
14	HYG3179	FRAME-CUSHION	2540-66-128-5295			2	2	2	1			
15	HYG1833	STRAP-SEATS	5340-66-128-4719			2	2	2	1			
16	NSS											
17	R301005	HOOK				2	2	2	1			
18	WC105001L	WASHER PLAIN	5310-99-122-3032			2	2	2	1			
19	RU612503	POP RIVET	5320-66-128-4721			2	2	2	1			
20	HYG3181	CUSHION ASSY	2540-66-128-5296			2	2	2	1			
21	NSS											
22	NSS											
23	NSS											
24	NSS											
25	NSS											
26	PC108241	PIN-CLEVIS	5315-66-128-4718			4	4	4	2			
27	WA108051L	WASHER-PLAIN	5310-99-122-6475			12	12	12	6			
28	PS104121L	SPLIT PIN	5315-66-128-5104			4	4	4	2			
29	HYG3172	FRAME SQUAB	2540-66-128-5297			2	2	2	1			

GROUP SSA



**REAR INWARD FACING SEAT
 – RADIO OPERATOR – FFR VARIANTS ONLY**

PERENTIE LAND ROVER PARTS LIST

SSA/1/1

REAR INWARD FACING SEAT-RADIO OPERATOR - FFR VARIANTS ONLY

<u>ITEM</u>	<u>PART NO.</u>	<u>DESCRIPTION</u>	<u>NSN</u>	<u>DERIVATIVE CODE</u>								
				<u>2188</u>	<u>2189</u>	<u>2190</u>	<u>2191</u>	<u>2192</u>	<u>2194</u>	<u>2195</u>	<u>2207</u>	<u>CP</u>
30	MTC6452	CLIP-BACKREST				2	2	2		1		
31	RA612253L	POP RIVET	5320-66-128-5117			12	12	12		6		
32	HYG3176	SQUAB ASSY	2540-66-128-5298			2	2	2		1		
33	NSS											
34	NSS											
35	NSS											

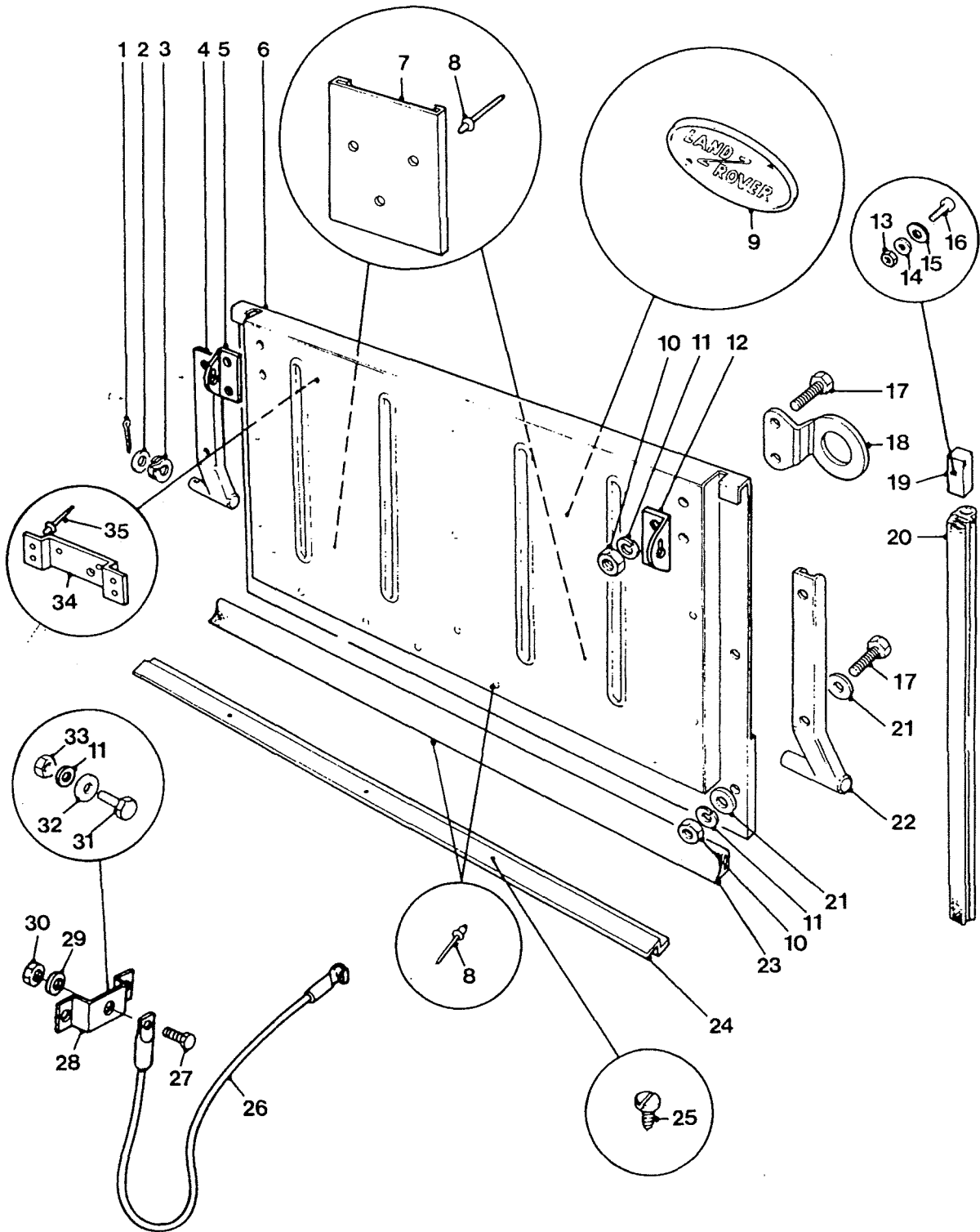
CHANGE POINT

ARN INTRODUCTION

1

50-015

GROUP ST

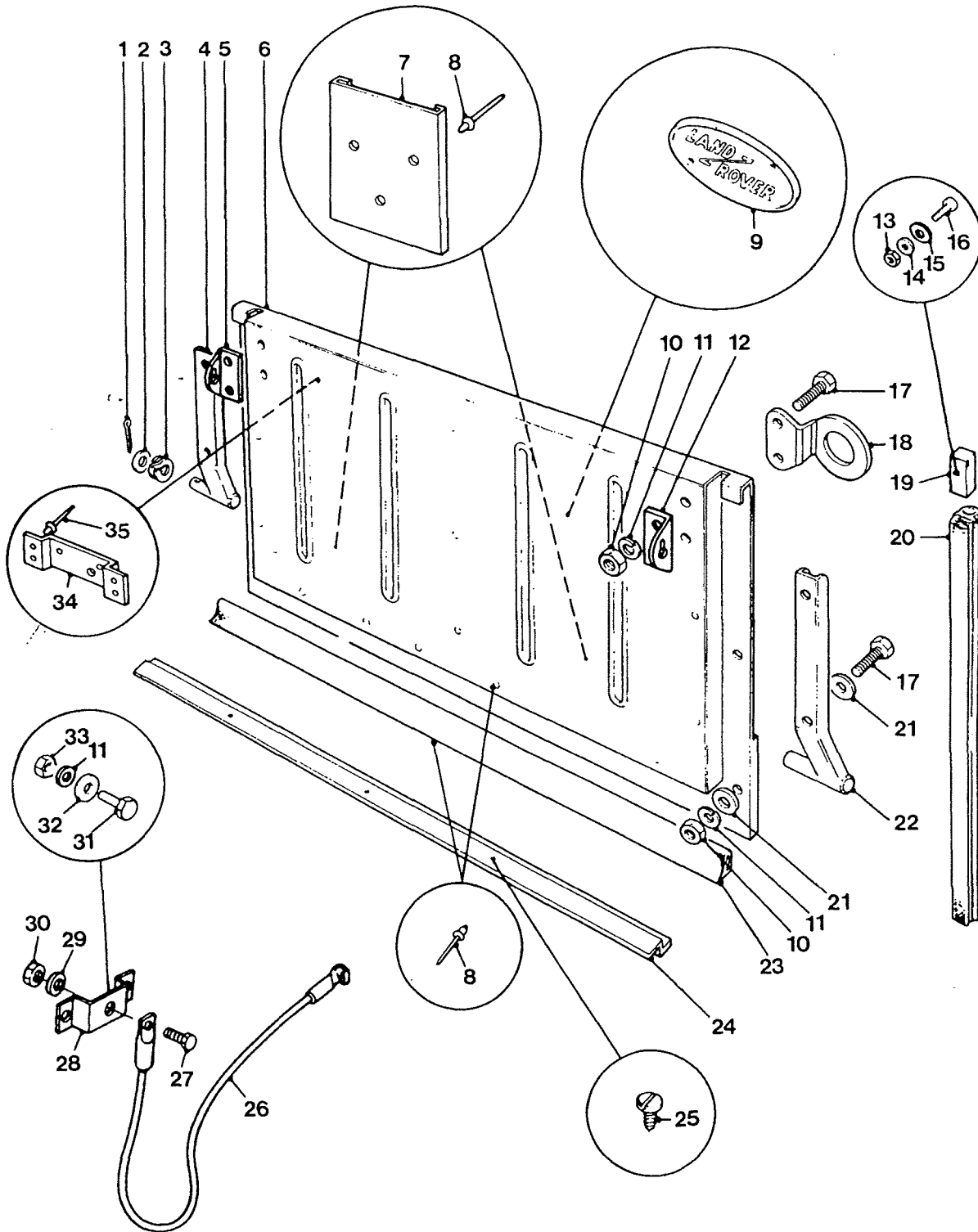


TAILBOARD AND FITTINGS — SOFT TOP CARGO VARIANTS ONLY

PERENTIE LAND ROVER PARTS LIST

ITEM	ST /1/1 PART NO.	TAILBOARD AND FITTINGS - SOFT TOP CARGO VARIANTS ONLY DESCRIPTION	NSN	DERIVATIVE CODE							CP	
				2188	2189	2190	2191	2192	2194	2195		2207
1	PS612080	SPLIT PIN	5315-66-097-0345	1	1							
2	WA600091L	WASHER-PLAIN	5310-66-012-6841	1	1							
3	WS600091	WASHER-LOCK	5310-99-941-6632	1	1							
4	MUC8740	HINGE-TAILBOARD	5340-99-804-7197	1	1							
5	MUC8738	BRACKET-HINGE-RH	5340-99-737-3367	1	1							
6	MUC8737	PANEL-REINFORCING		1	1							
7	HYK2674	HOLDER-UNIT SIGN	2590-66-016-0815	2	2							
8	RU612373L	POP RIVET	5320-99-120-9002	30	30							
9	MTC4460	NAMEPLATE	2540-66-128-5033	1	1							
9	MXC6401	DECAL-REAR	2540-66-128-6103	1	1							01
10	NH106041L	NUT	5310-66-098-4401	8	8							
11	WL106001L	WASHER-LOCK	5310-99-137-9232	12	12							
12	MUC8739	BRACKET-HINGE-LH	5340-99-737-3368	1	1							
13	NH104041L	NUT	5310-66-128-4720	2	2							
14	WL104001	WASHER-LOCK	5310-99-977-1102	2	2							
15	WC104001L	WASHER-LARGE	5310-99-759-2084	2	2							
16	SP104121	SCREW	5305-99-135-0423	2	2							
17	BH106111L	SCREW	5306-99-122-5249	4	4							
18	MUC8746	PLATE-LOCKING	2510-99-737-3373	2	2							
19	R332146	RUBBER SEAL	5340-99-805-4577	2	2							
20	MTC4164	SEAL-RH	2510-99-757-5308	1	1							
20	MTC4165	SEAL-LH	2510-99-757-5309	1	1							
21	MRC5528	WASHER-PLAIN	5310-66-128-4723	10	10							
22	MUC8741	HINGE-TAILBOARD	2510-99-805-4562	1	1							
23	NSS											
24	HYG2032	STRIP-PROTECTION	2540-66-128-4962	1	1							
25	AB606041L	SCREW	5305-99-950-4416	7	7							
26	RRC5539	CABLE-TAILBOARD	2540-99-737-8664	2	2							
27	SH108351L	SCREW	5305-99-122-8667	2	2							

GROUP ST



TAILBOARD AND FITTINGS – SOFT TOP CARGO VARIANTS ONLY

PERENTIE LAND ROVER PARTS LIST

<u>ITEM</u>	<u>PART NO.</u>	<u>DESCRIPTION</u>	<u>NSN</u>	<u>DERIVATIVE CODE</u>							<u>CP</u>	
				<u>2188</u>	<u>2189</u>	<u>2190</u>	<u>2191</u>	<u>2192</u>	<u>2194</u>	<u>2195</u>		<u>2207</u>
28	MUC8759	BRACKET-CABLE	5340-99-737-2996	2	2							
29	WA108051L	WASHER-PLAIN	5310-99-122-6475	2	2							
30	FN108041	NUT	5310-99-499-8033	2	2							
31	FS106201	SCREW	5305-99-122-5361	4	4							
32	WA106001L	WASHER-PLAIN	5310-66-098-4440	4	4							
33	NH106041L	NUT	5310-66-098-4401	4	4							
34	HYG2006	BRACKET-LAMP	5340-66-128-5022	1	1							
35	RA612253L	POP RIVET-BRACKET	5320-66-128-5117	4	4							
	RRC5677	CAP-PROTECTIVE STUD		2	2							
	RRC5533	STUD-TAILBOARD CABLE		2	2							
	MUC8736	TAILGATE ASSY	2510-99-737-3366	1	1							

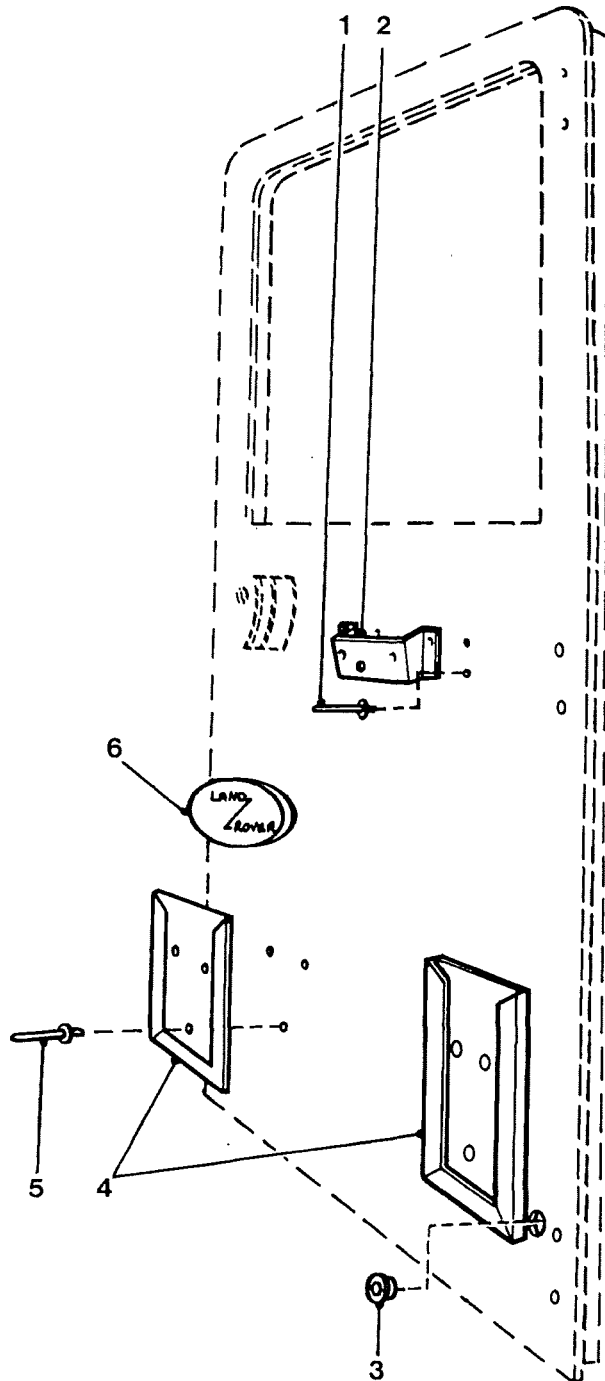
CHANGE POINT

1

ARN INTRODUCTION

50-015

GROUP STA



**REAR - END DOOR FIXTURES
- HARD TOP VARIANTS ONLY**

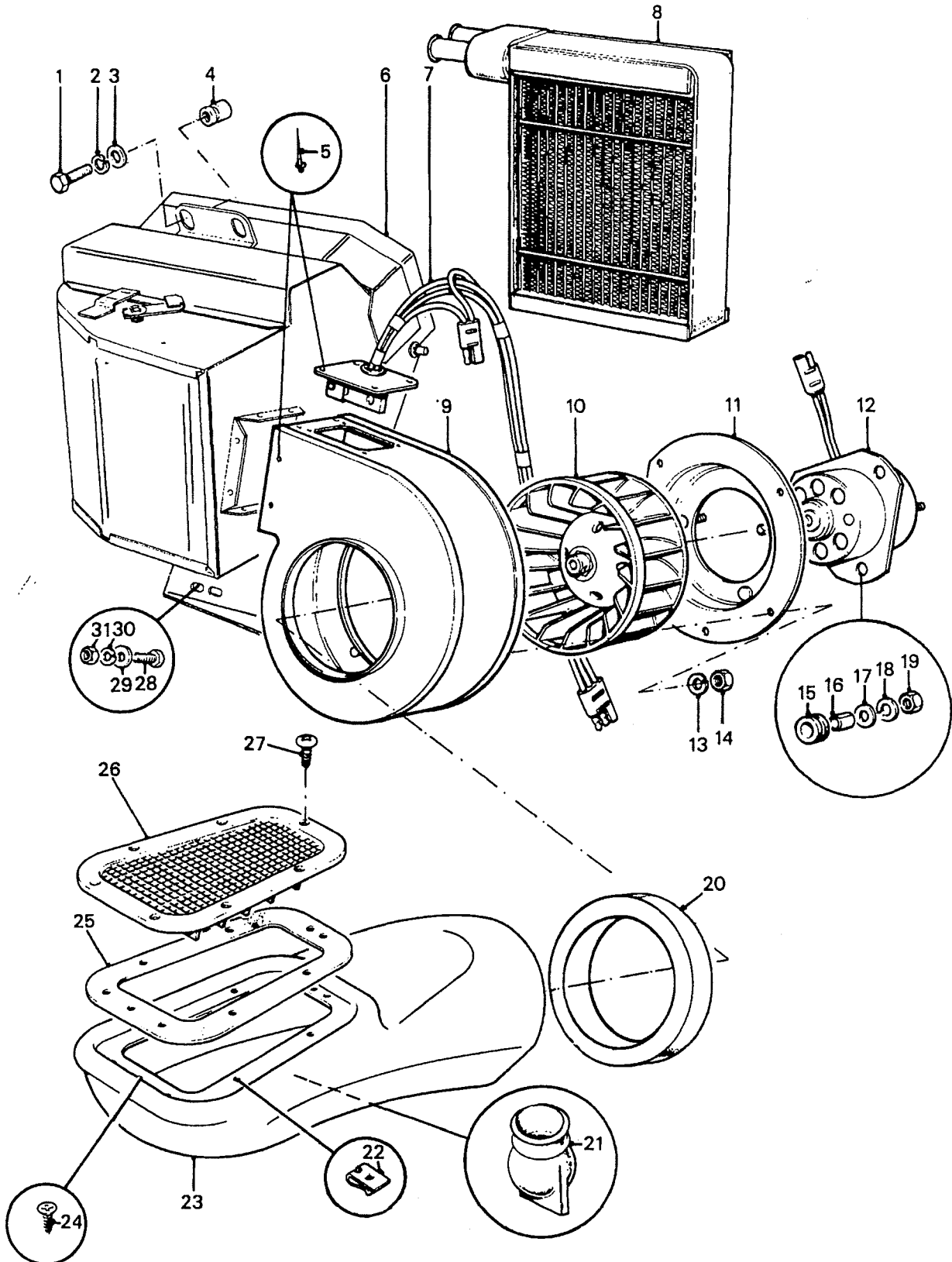
PERENTIE LAND ROVER PARTS LIST

<u>ITEM</u>	<u>PART NO.</u>	<u>DESCRIPTION</u>	<u>NSN</u>	<u>DERIVATIVE CODE</u>								
				<u>2188</u>	<u>2189</u>	<u>2190</u>	<u>2191</u>	<u>2192</u>	<u>2194</u>	<u>2195</u>	<u>2207</u>	<u>CP</u>
1	RA612253L	POP RIVET	5320-66-128-5117					4	4	4		
2	HYG2006	BRACKET-LAMP	5340-66-128-5022					1	1	1		
3	MYH3345	GROMMET	5325-66-128-4578					1	1	1		
4	HYK2674	HOLDER-UNIT SIGN	2590-66-016-0815					2	2	2		
5	RU612373L	POP RIVET	5320-99-120-9002					6	6	6		
6	MTC4460	NAMEPLATE	2540-66-128-5033					1	1	1		
	MYH3280	CLIP-NO. PLATE LIGHT CABLE	5340-66-128-4591					1	1	1		
	RA608176L	POP RIVET	5320-99-941-7268					2	2	2		
	WA103001L	WASHER-PLAIN	5310-99-122-3030					2	2	2		

CHANGE POINT

ARN INTRODUCTION

GROUP TA

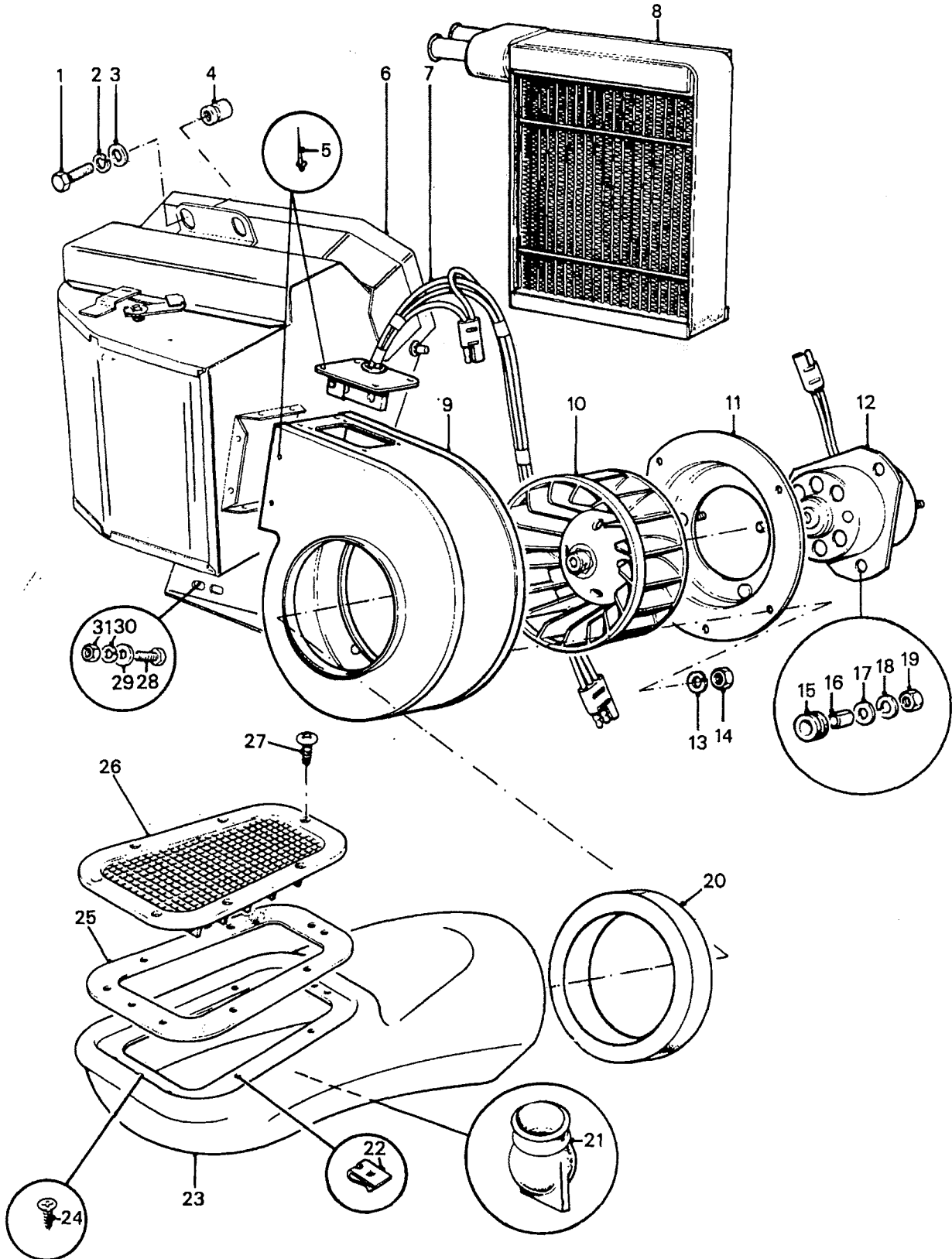


HEATER AND DUCTING

PERENTIE LAND ROVER PARTS LIST

ITEM	TA /1/1 PART NO.	HEATER AND DUCTING DESCRIPTION	NSN	DERIVATIVE CODE									
				2188	2189	2190	2191	2192	2194	2195	2207	CP	
1	FS108161	SCREW		2	2	2	2	2	2	2	2	2	
2	WL108001L	WASHER-LOCK	5310-99-137-9231	2	2	2	2	2	2	2	2	2	2
3	WA108051L	WASHER-PLAIN	5310-99-122-6475	2	2	2	2	2	2	2	2	2	2
4	NN108011L	NUTSERT	5310-99-122-7705	2	2	2	2	2	2	2	2	2	2
5	R78248	POP RIVET	5320-99-970-3518	12	12	12	12	12	12	12	12	12	12
6	HYG2965	HEATER ASSY-90 DEGREE PIPES	2540-99-738-0313	1	1	1	1	1	1	1	1	1	1
	HYG6088	HEATER-ASSY-STRAIGHT PIPES	2540-66-128-5769	1	1	1	1						1 01
	UTP1267	MOTOR/ROTOR ASSY	2540-99-737-8070	1	1	1	1	1	1	1	1	1	1
7	UTP1281	HARNESS & RESISTOR	2590-99-797-3881	1	1	1	1	1	1	1	1	1	1
8	AAP817	MATRIX-HEATER-90 DEGREE PIPES	2540-99-721-4399	1	1	1	1	1	1	1	1	1	1
	UTP1725	MATRIX-HEATER-STRAIGHT PIPES	2540-66-128-6238	1	1	1	1						1 01
9	AAP810	VOLUTE ASSY	2540-99-720-8150	1	1	1	1	1	1	1	1	1	1
10	NSS	IMPELLER	6105-66-128-4951	1	1	1	1	1	1	1	1	1	1
11	NSS	COVER, ROTOR (USE TA9002)											
12	NSS	MOTOR ASSY (USE TA9002)											
13	NSS	WASHER-LOCK (USE TA9002)											
14	NSS	NUT (USE TA9002)											
15	CZK6473L	GROMMET		3	3	3	3	3	3	3	3	3	3
16	CZK6486L	SPACER		3	3	3	3	3	3	3	3	3	3
17	WA105001L	WASHER-PLAIN		3	3	3	3	3	3	3	3	3	3
18	WL105001L	WASHER-LOCK	5310-99-977-1102	3	3	3	3	3	3	3	3	3	3

GROUP TA



HEATER AND DUCTING

PERENTIE LAND ROVER PARTS LIST

ITEM	TA /1/1 PART NO.	HEATER AND DUCTING DESCRIPTION	NSN	DERIVATIVE CODE								CP
				2188	2189	2190	2191	2192	2194	2195	2207	
19	NH105041L	NUT	5310-66-098-4400	3	3	3	3	3	3	3	3	
20	MRC8378	SEAL	2540-99-721-4413	1	1	1	1	1	1	1	1	
21	MUC2417	DUMP VALVE	2940-99-729-2980	1	1	1	1	1	1	1	1	
22	AJ608041	NUT-SPRING		9	9	9	9	9	9	9	9	
23	MUC2419	DUCT	2540-99-720-8155	1	1	1	1	1	1	1	1	
24	AB608047	SCREW		2	2	2	2	2	2	2	2	
25	MRC9998	SEAL	5330-99-721-4414	2	2	2	2	2	2	2	2	
26	MRC9939	FINISHER LH	2540-99-720-8156	1	1	1	1	1	1	1	1	
	RTC3745	LOKUT NUT-FINISHER TO RH WING	5310-99-137-6356	7	7	7	7	7	7	7	7	
27	AB608065	SCREW-DRIVE	5305-66-128-4725	17	7	7	7	7	7	7	7	
27	AB608055L	SCREW		7	7	7	7	7	7	7	7	
28	FS106161	SCREW	5305-99-122-5360	2	2	2	2	2	2	2	2	
29	WA106001L	WASHER-PLAIN	5310-66-098-4440	2	2	2	2	2	2	2	2	
30	WL106001L	WASHER-LOCK	5310-99-137-9232	2	2	2	2	2	2	2	2	
31	NH106041L	NUT	5310-66-098-4401	2	2	2	2	2	2	2	2	
	AYG9993	BRACKET-HEATER		1	1	1	1					1 02
	MUC1242	SEAL-BRACKET		1	1	1	1					1 02
	RU612183	POP RIVET	5320-66-128-4938	1	1	1	1					1 02

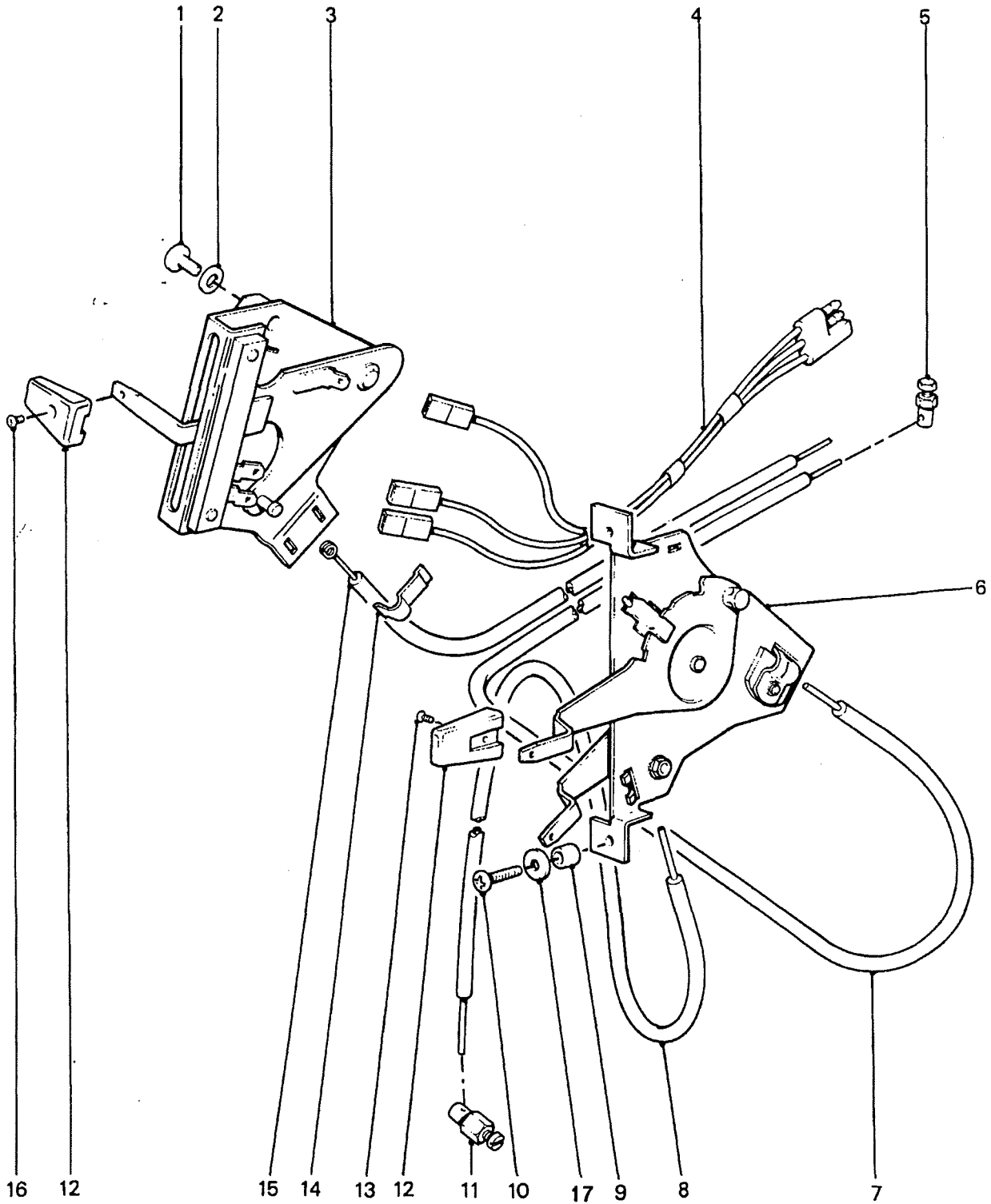
CHANGE POINT

1
2

ARN INTRODUCTION

51-749 R.F.S.V.
USE WITH HEATER ASSY RRC3525 ONLY

GROUP TAB



HEATER CONTROLS

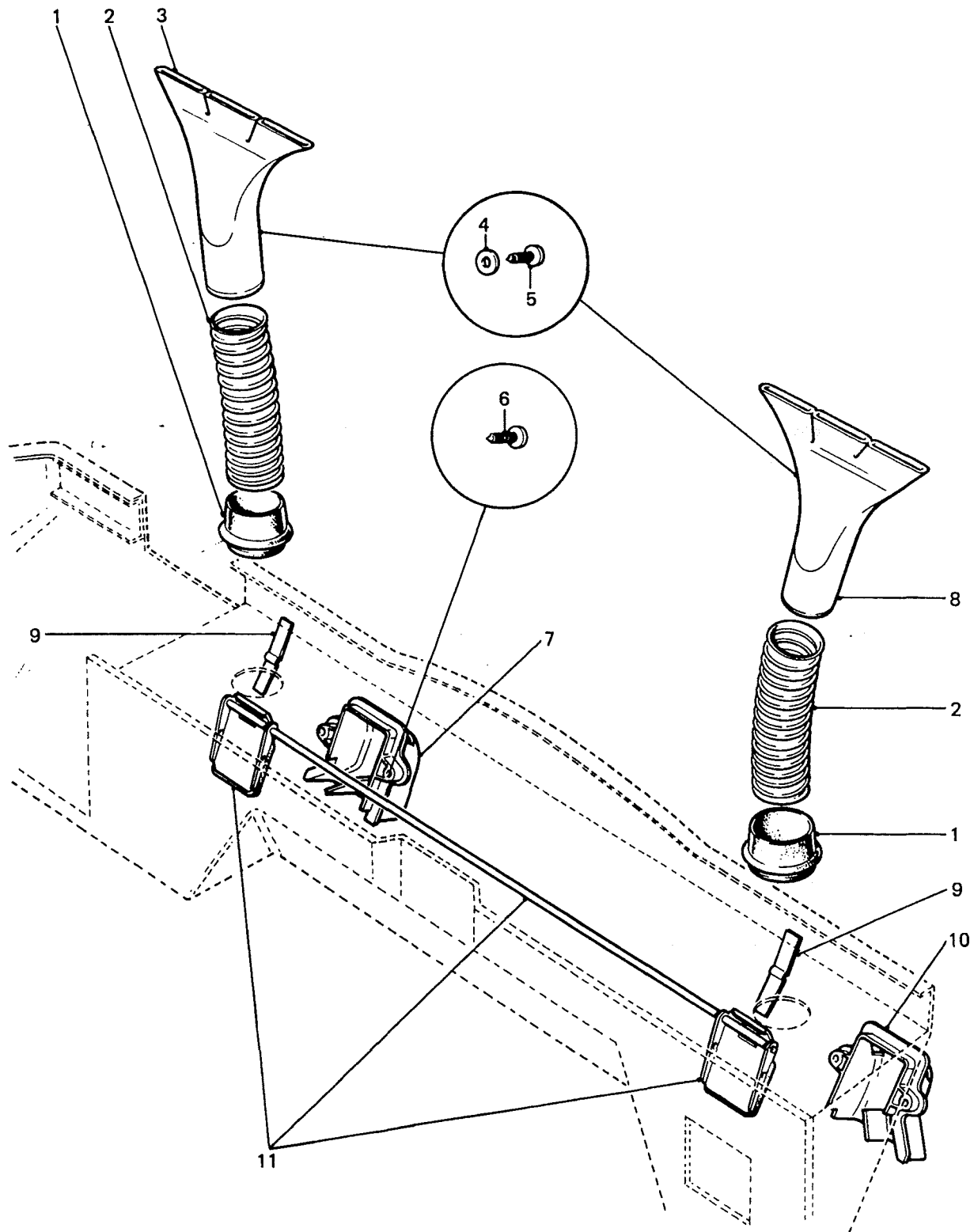
PERENTIE LAND ROVER PARTS LIST

ITEM	PART NO.	DESCRIPTION	NSN	DERIVATIVE CODE								CP
				2188	2189	2190	2191	2192	2194	2195	2207	
1	SE105161L	SCREW	5305-99-135-0430	2	2	2	2	2	2	2	2	2
2	WA105001L	WASHER-PLAIN	5310-99-122-3032	2	2	2	2	2	2	2	2	2
3	UTP1126	CONTROL	2540-99-720-8152	1	1	1	1	1	1	1	1	1
4	AAP890	HARNESS-HEATER	2590-99-739-7166	1	1	1	1	1	1	1	1	1
5	RTC5978	PIN-LOCKING KIT	2540-99-721-4411	2	2	2	2	2	2	2	2	2
6	R346924	MTG PLATE	2540-99-829-0100	1	1	1	1	1	1	1	1	1
7	MTC6194	CABLE CONTROL	2540-99-721-4410	1	1	1	1	1	1	1	1	1
8	R347939	CABLE-DISTRIBUTION	2540-99-822-6471	1	1	1	1	1	1	1	1	1
9	MRC9922	SPACER	5365-99-721-4408	2	2	2	2	2	2	2	2	2
10	SE808244	SCREW	5305-99-121-6815	2	2	2	2	2	2	2	2	2
11	R566902	SWIVEL PIN	5315-99-137-6360	1	1	1	1	1	1	1	1	1
12	MTC2805	KNOB LEVER	5355-99-721-4404	3	3	3	3	3	3	3	3	3
13	MTC7737	SCREW KNOB	5305-99-941-1937	2	2	2	2	2	2	2	2	2
14	13H7343L	CLIP-CABLE	5340-99-838-7475	2	2	2	2	2	2	2	2	2
15	AAP876	CABLE-CONTROL-OUTLET	2540-99-721-4409	1	1	1	1	1	1	1	1	1
16	SG103084	SCREW	5305-99-122-5271	1	1	1	1	1	1	1	1	1
17	WA105004L	WASHER-PLAIN		2	2	2	2	2	2	2	2	2
	R622324	CLIP-CABLE	5340-66-106-1527	1	1	1	1	1	1	1	1	1
	AAU3686	CABLE STRAP-CABLE	5975-99-787-7254	1	1	1	1	1	1	1	1	1
	AB610061L	SCREW	5305-99-120-5486	1	1	1	1	1	1	1	1	1
	WJ105001L	WASHER-PLAIN	5310-66-128-4726	1	1	1	1	1	1	1	1	1
	R79198	TUBULAR CLIP-CONTROL CABLE		1	1	1	1	1	1	1	1	1
	MTC6006	LABEL-HEATER	9905-66-128-5028	1	1	1	1	1	1	1	1	1
	MTC6007	LABEL-FAN	9905-66-128-5029	1	1	1	1	1	1	1	1	1

CHANGE POINT

ARN INTRODUCTION

GROUP TAC



DEMISTER AND HEATER OUTLETS

PERENTIE LAND ROVER PARTS LIST

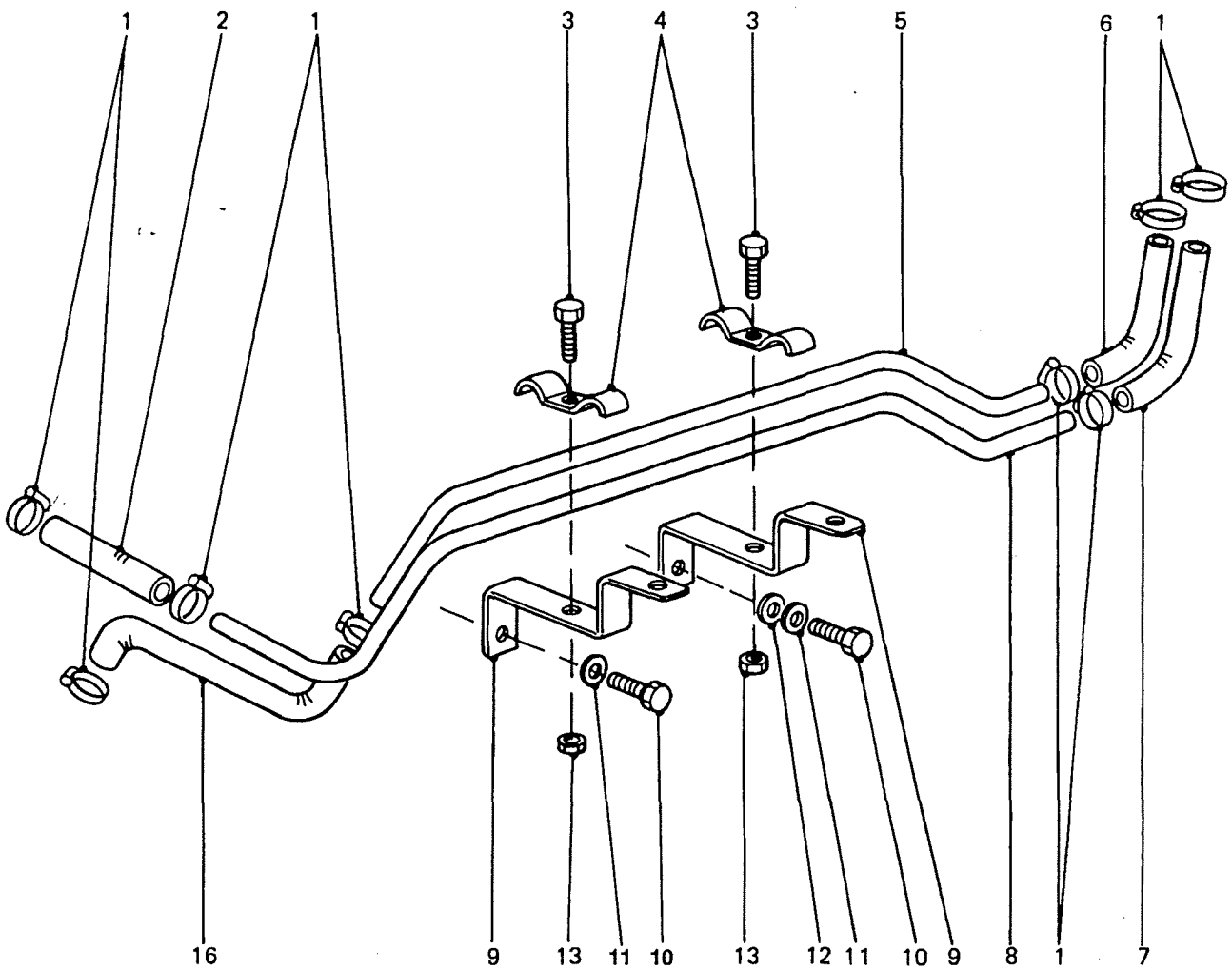
ITEM	TAC/1/1 PART NO.	DEMISTER AND HEATER OUTLETS DESCRIPTION	NSN	DERIVATIVE CODE								CP	
				2188	2189	2190	2191	2192	2194	2195	2207		
1	MRC7281	GROMMET	5325-99-721-4422	2	2	2	2	2	2	2	2	2	
2	MTC6382	TUBE-FLEXIBLE	2540-99-721-4421	2	2	2	2	2	2	2	2	2	
3	MRC9668	NOZZLE-DEMISTER-RH	2540-66-128-4943	1	1	1	1	1	1	1	1	1	
3	MXC3188	NOZZLE-DEMISTER-RH		1	1	1	1	1	1	1	1	1	01
4	WA105001L	WASHER-PLAIN	5310-99-122-3032	2	2	2	2	2	2	2	2	2	
5	AB608047	SCREW		2	2	2	2	2	2	2	2	2	
6	AB608055L	SCREW		4	4	4	4	4	4	4	4	4	
7	R395829	DUCT-HEATER-RH	2540-99-825-4080	1	1	1	1	1	1			1	
8	MRC9669	NOZZLE-DEMISTER-LH	2540-66-128-4945	1	1	1	1	1	1	1	1	1	
8	MXC3189	NOZZLE-DEMISTER-LH		1	1	1	1	1	1	1	1	1	01
9	R346976	SPRING	5360-99-824-3471	2	2	2	2	2	2	2	2	2	
10	R395830	DUCT-HEATER-LH	2540-99-825-4081	1	1	1	1	1	1			1	
11	R346894	FLAP-OUTLET	2540-99-825-4082	1	1	1	1	1	1	1	1	1	
	AL608031	SPRING NUT-DEMISTER OUTLET		4	4	4	4	4	4	4	4	4	01
	AB608031L	SCREW-NOZZLES TO FRONT PLATE		4	4	4	4	4	4	4	4	4	

CHANGE POINT

ARN INTRODUCTION

- | | |
|---|-----------------------|
| 1 | 50-380 SOFT TOP CARGO |
| 1 | 51-581 R.F.S.V. |

GROUP TAD



HEATER PIPES AND HOSES

PERENTIE LAND ROVER PARTS LIST

<u>ITEM</u>	<u>TAD/1/1</u> <u>PART NO.</u>	<u>HEATER PIPES AND HOSES</u> <u>DESCRIPTION</u>	<u>NSN</u>	<u>DERIVATIVE CODE</u>								<u>CP</u>
				<u>2188</u>	<u>2189</u>	<u>2190</u>	<u>2191</u>	<u>2192</u>	<u>2194</u>	<u>2195</u>	<u>2207</u>	
1	CN100308L	CLAMP-HOSE	4730-99-798-0799	8	8	8	8	8	8	8	8	
2	AYG2689	HEATER HOSE	4720-66-128-4793	1	1	1	1	1	1	1	1	
3	FS106201	SCREW	5305-99-122-5361	2	2	2	2	2	2	2	2	
4	MYH3152	SADDLE CLIP	5340-66-128-4794	2	2	2	2	2	2	2	2	
5	AYG2959	PIPE-HEATER	4710-66-128-4795	1	1	1	1	1	1	1	1	
6	AYG451	HEATER HOSE-OUTLET	4720-66-128-4796	1	1	1	1	1	1	1	1	
6	AYG546	HEATER HOSE-OUTLET		1	1	1	1					1 01
7	AYG423	HOSE-INLET	4720-66-128-4797	1	1	1	1	1	1	1	1	
7	BTR1136	HOSE-INLET		1	1	1	1					1 01
8	AYG2876	PIPE-HEATER	4710-66-128-4798	1	1	1	1	1	1	1	1	
9	AYG2686	BRACKET-PIPE	5340-66-128-5023	2	2	2	2	2	2	2	2	
10	FS108201	SCREW		2	2	2	2	2	2	2	2	
11	WL108001L	WASHER-LOCK	5310-99-137-9231	2	2	2	2	2	2	2	2	
12	WA108051L	WASHER-PLAIN	5310-99-122-6475	2	2	2	2	2	2	2	2	
13	NY106041L	NUT-NYLOC	5310-99-138-8423	2	2	2	2	2	2	2	2	
16	AYG2867	HOSE-PIPE TO WATER PUMP	4720-66-128-4799	1	1	1	1	1	1	1	1	

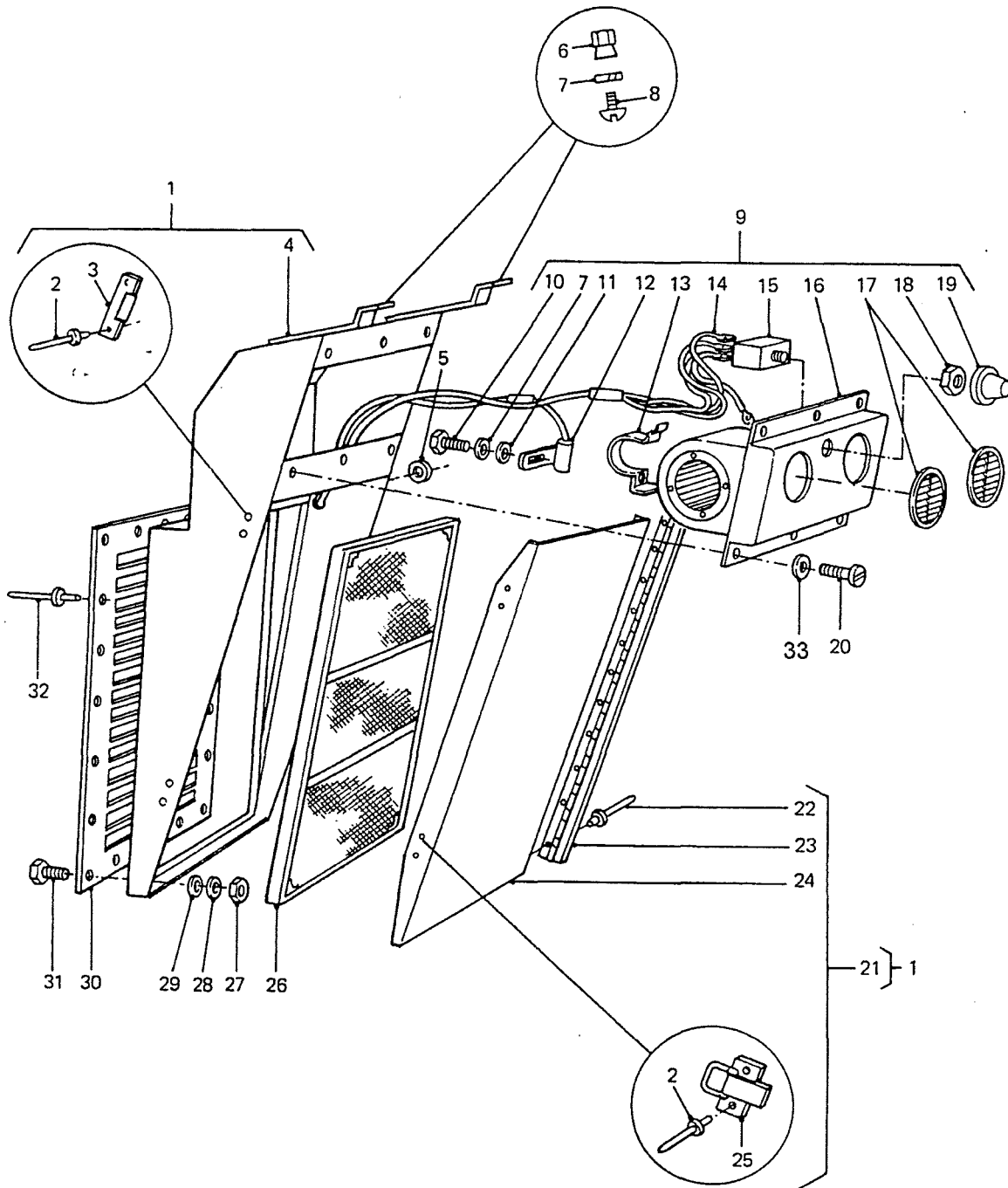
CHANGE POINT

1

ARN INTRODUCTION

51-749 R.F.S.V.

GROUP TB

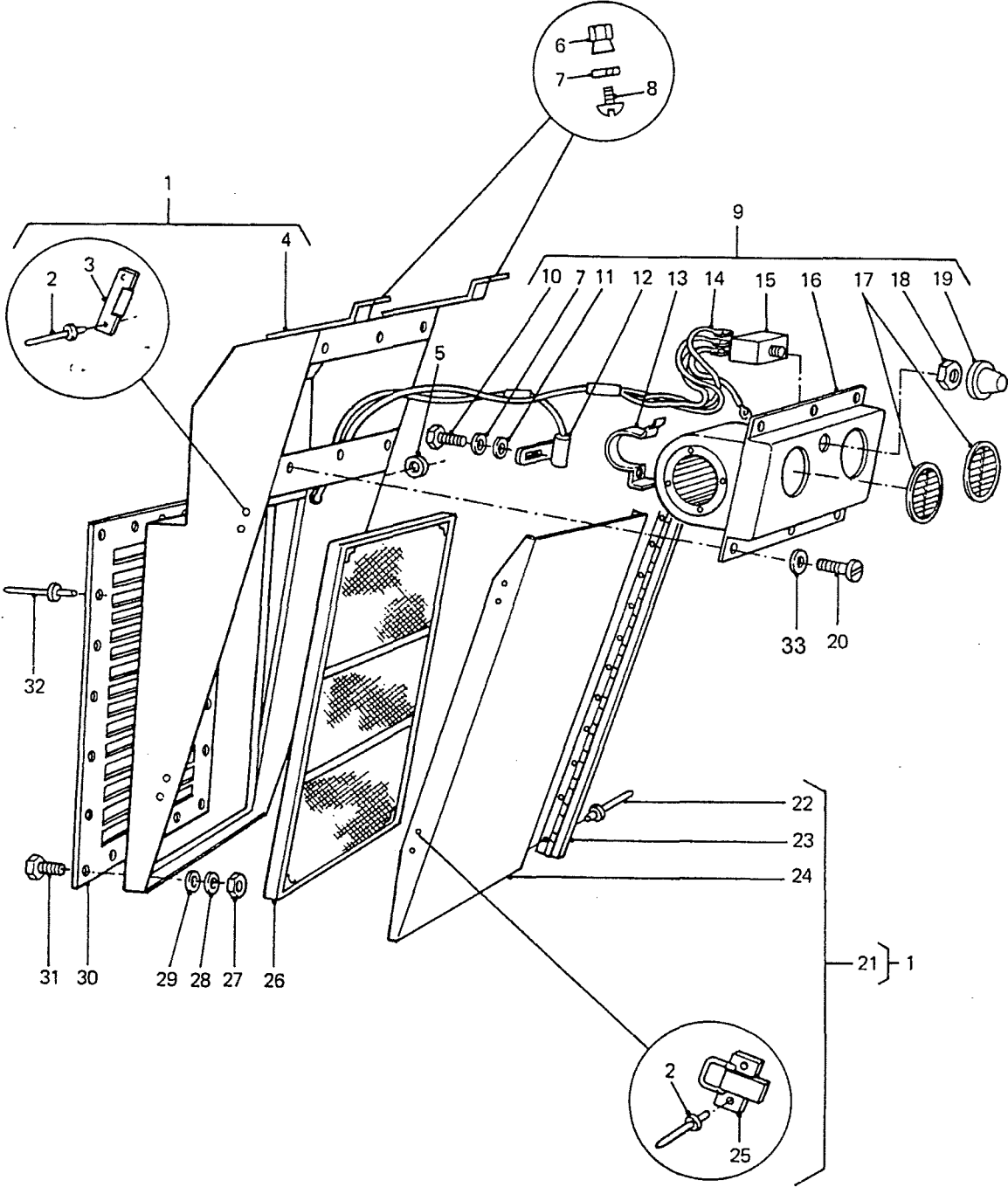


**FORCED AIR VENTILATION
- HARD TOP SURVEY ONLY**

PERENTIE LAND ROVER PARTS LIST

ITEM	PART NO.	DESCRIPTION	NSN	DERIVATIVE CODE							CP	
				2188	2189	2190	2191	2192	2194	2195		2207
1	HYG2576	DUCT ASSY (INCL ITEMS 2 TO 4 & 21)									1	
2	RF105061	POP RIVET									8	
3	MYH3214	LATCH-DOOR	2540-66-128-5390								2	
4	HYG2432	DUCT-FORCED DRAUGHT BLOWER									1	
5	MYH3269	GROMMET									1	
6	NN106021	NUTSERT	5310-99-138-4838								2	
7	WL106021	WASHER-LOCK									3	
8	SE106121	SCREW	5305-99-122-5289								2	
9	HYG2084	AIR BLOWER ASSY	2590-66-128-5392								1	
10	FS106161	SCREW	5305-99-122-5360								1	
11	WA106001L	WASHER-PLAIN									1	
12	HYL8651	CAPACITOR									1	
13	NSS											
14	NSS											
15	HYL8649	SWITCH-ROTARY-BLOWER MOTOR	5930-66-128-5387								1	
16	HYL8653	MOTOR & HOUSING ASSY									1	
17	HYL8652	LOUVRES									2	
18	NT110041L	NUT-LOCK									1	
19	HYL8650	KNOB-BLOWER	5355-66-128-5389								1	
20	SE106121	SCREW	5305-99-122-5289								6	
21	HYG2567	DOOR-DUCT									1	
22	RA608177L	POP RIVET	5320-99-450-4958								11	
23	NSS											
24	NSS											
25	MYH3214	LATCH-DOOR	2540-66-128-5390								2	
26	HYG2087	ELEMENT-FILTER	4130-66-128-5391								1	
27	NH105041L	NUT	5310-66-098-4400								4	

GROUP TB



**FORCED AIR VENTILATION
– HARD TOP SURVEY ONLY**

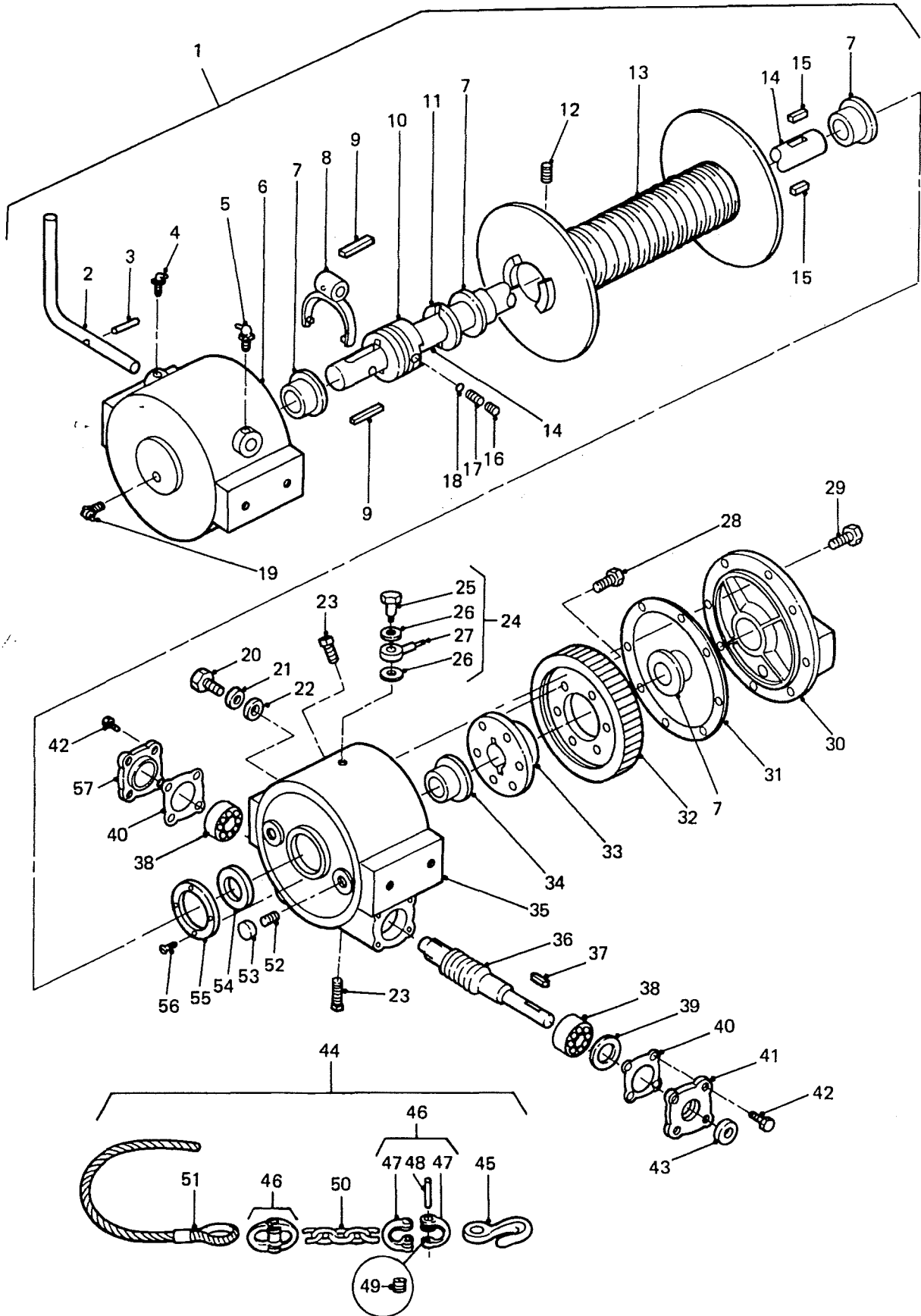
PERENTIE LAND ROVER PARTS LIST

ITEM	PART NO.	DESCRIPTION	NSN	DERIVATIVE CODE							CP
				2188	2189	2190	2191	2192	2194	2195	
28	WL105001L	WASHER-LOCK	5310-99-977-1102								4
29	WA105001L	WASHER-PLAIN	5310-99-122-3032								4
30	HYG2574	COVER-LOUVRED									1
31	SE105161L	SCREW	5305-99-135-0430								4
32	R78248	POP RIVET	5320-99-970-3518								18
33	WL106001L	WASHER-LOCK	5310-99-137-9232								6
	R79246	NUT-SPIRE-AIR BLOWER	5310-99-822-1324								1
	MYH5335/1600	SEAL-FOAM-DUCT TO FILTER									1
	MYH3269	GROMMET-BLOWER CABLE TO DUCT									1
	MYH3280	CLIP-EDGE-BLOWER CABLE	5340-66-128-4591								1

CHANGE POINT

ARN INTRODUCTION

GROUP UA

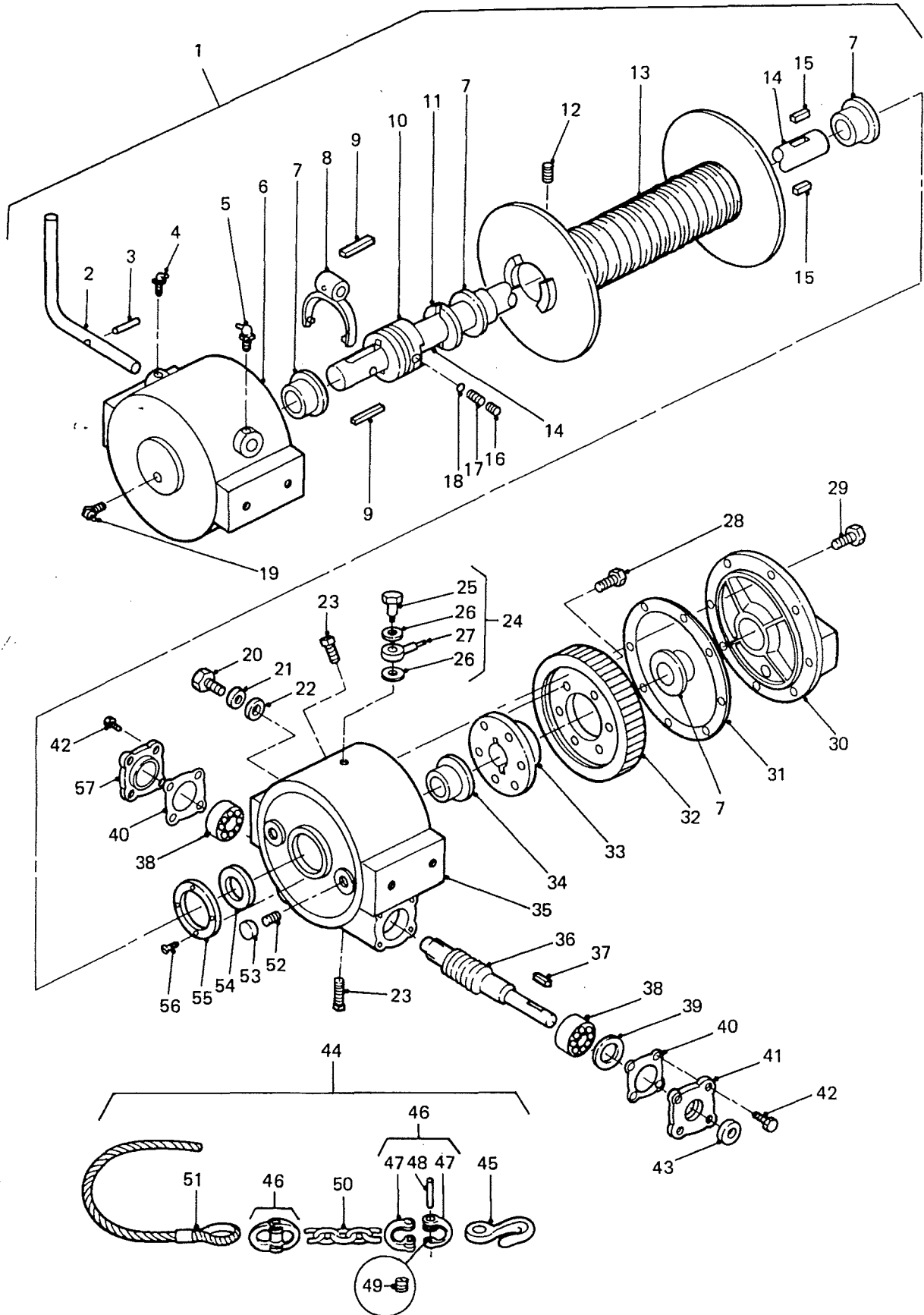


WINCH ASSEMBLY

PERENTIE LAND ROVER PARTS LIST

ITEM	PART NO.	DESCRIPTION	NSN	DERIVATIVE CODE							CP
				2188	2189	2190	2191	2192	2194	2195	
1	AYG8183	WINCH ASSY-4X4	2590-66-130-4838			1	1	1	1		1
2	HYL8725	HANDLE-WINCH				1	1	1	1		1
3	HYL8726	PIN	5315-66-128-5101			1	1	1	1		1
4	HYL8727	NIPPLE-GREASE	4730-66-128-5100			1	1	1	1		1
5	HYL8728	NIPPLE-GREASE	4730-66-128-5102			1	1	1	1		1
6	HYL8729	HOUSING				1	1	1	1		1
7	HYL8730	BRUSH-BRONZE				4	4	4	4		4
8	HYL8731	FORK-CLUTCH				1	1	1	1		1
9	HYL8732	KEY-SHAFT				2	2	2	2		2
10	HYL8733	CLUTCH-SLIDING				1	1	1	1		1
11	HYL8734	SPACER				1	1	1	1		1
12	HYL8735	SCREW				1	1	1	1		1
13	HYL8736	DRUM-WINCH				1	1	1	1		1
14	HYL8737	SHAFT-DRIVE				1	1	1	1		1
15	HYL8738	KEY-SHAFT				2	2	2	2		2
16	HYL8739	SCREW				1	1	1	1		1
17	HYL8740	SPRING-DETENT				1	1	1	1		1
18	HYL8741	BALL-DETENT				1	1	1	1		1
19	HYL8742	NIPPLE-GREASE	4730-66-128-5068			1	1	1	1		1
20	HYL8770	SCREW				8	8	8	8		8
21	HYL8781	WASHER-LOCK	5310-66-128-5109			8	8	8	8		8
22	WA112081L	WASHER-PLAIN	5310-99-122-6477			8	8	8	8		8
23	HYL8745	PLUG				2	2	2	2		2
24	FRC9430	PIPE-BREATHER	2520-66-128-5303			1	1	1	1		1
25	R595478	BANJO BOLT	4730-99-137-6379			1	1	1	1		1
26	R599575	WASHER	4930-99-842-3988			2	2	2	2		2
27	NSS										
28	HYL8743	SCREW				6	6	6	6		6
29	HYL8756	SCREW				8	8	8	8		8

GROUP UA

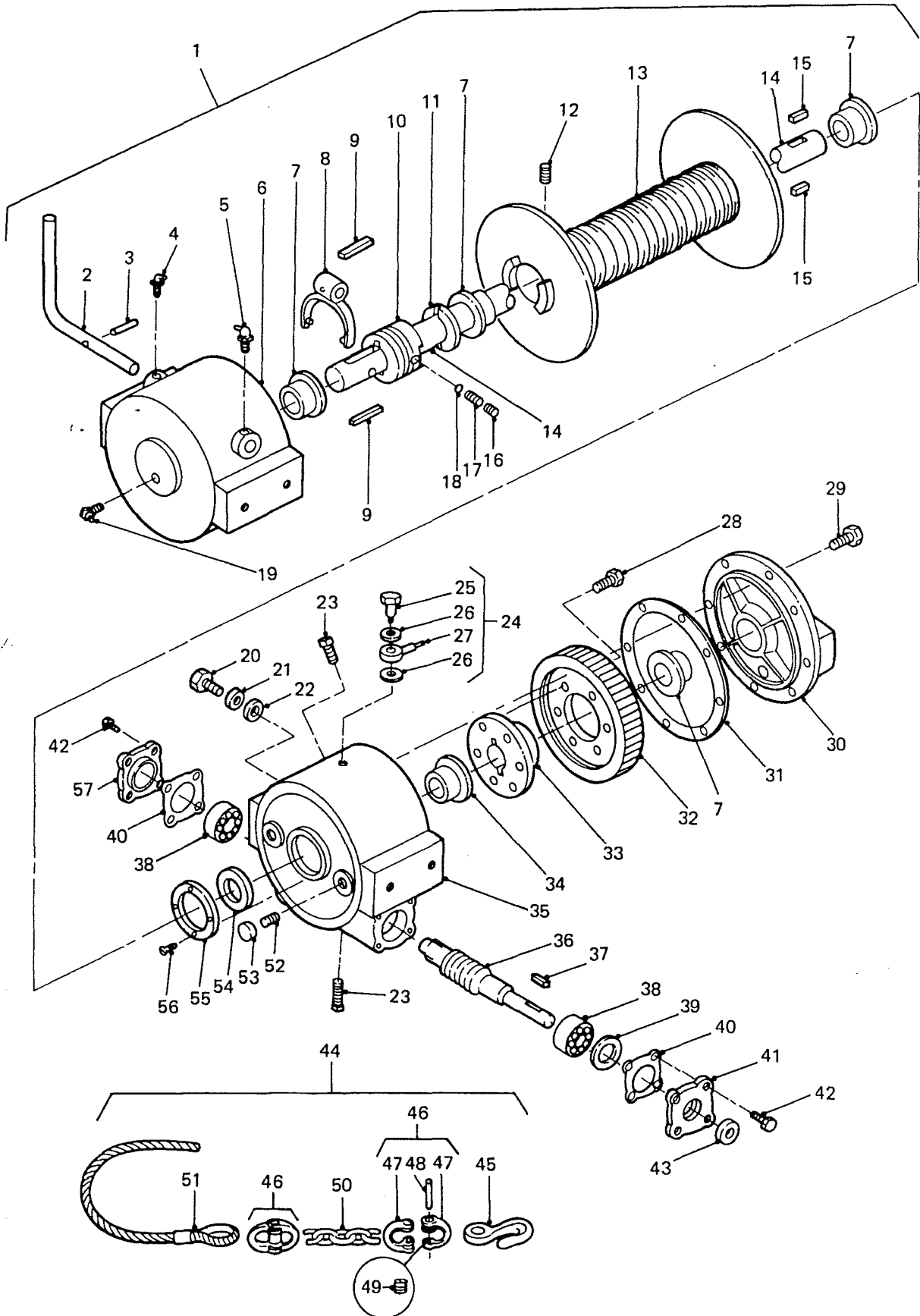


WINCH ASSEMBLY

PERENTIE LAND ROVER PARTS LIST

ITEM	PART NO.	DESCRIPTION	NSN	DERIVATIVE CODE								
				2188	2189	2190	2191	2192	2194	2195	2207	CP
30	HYL8746	COVER-HOUSING			1		1	1	1			1
31	HYL8747	GASKET	5330-66-128-5205		1		1	1	1			1
32	HYL8748	GEAR-DRIVE			1		1	1	1			1
33	HYL8749	HUB-GEAR			1		1	1	1			1
34	HYL8771	BUSH			1		1	1	1			1
35	HYL8750	HOUSING-GEAR			1		1	1	1			1
36	HYL8772	GEAR			1		1	1	1			1
37	HYL8751	KEY-SHAFT			1		1	1	1			1
38	HYL8752	BEARING			2		2	2	2			2
39	HYL8795	WASHER			1		1	1	1			1
40	HYL8754	GASKET	5330-66-128-5208		2		2	2	2			2
41	HYL8755	COVER-END			1		1	1	1			1
42	HYL8756	SCREW			8		8	8	8			8
43	HYL8757	SEAL-OIL	5330-66-128-5209		1		1	1	1			1
44	HYL8780	CABLE & CHAIN ASSY	4010-66-130-4828		1		1	1	1			1
45	NSS		4030-66-128-5272									
46	NSS		4010-66-024-4994									
47	NSS											
48	NSS											
49	NSS											
50	NSS		4010-01-008-9456									
51	NSS											
52	HYL8758	SPRING	5360-66-128-5204		2		2	2	2			2
53	HYL8759	PAD-BRAKE	2530-66-128-5121		2		2	2	2			2
54	HYL8753	SEAL-OIL	5330-66-128-5074		1		1	1	1			1
55	HYL8782	THRUST PAD			1		1	1	1			1
56	HYL8783	SCREW			4		4	4	4			4
57	HYL8760	COVER-END			1		1	1	1			1
	MYH1940	CABLE TIE-BREATH PIPE	5340-99-618-3776		1		1	1	1			1

GROUP UA

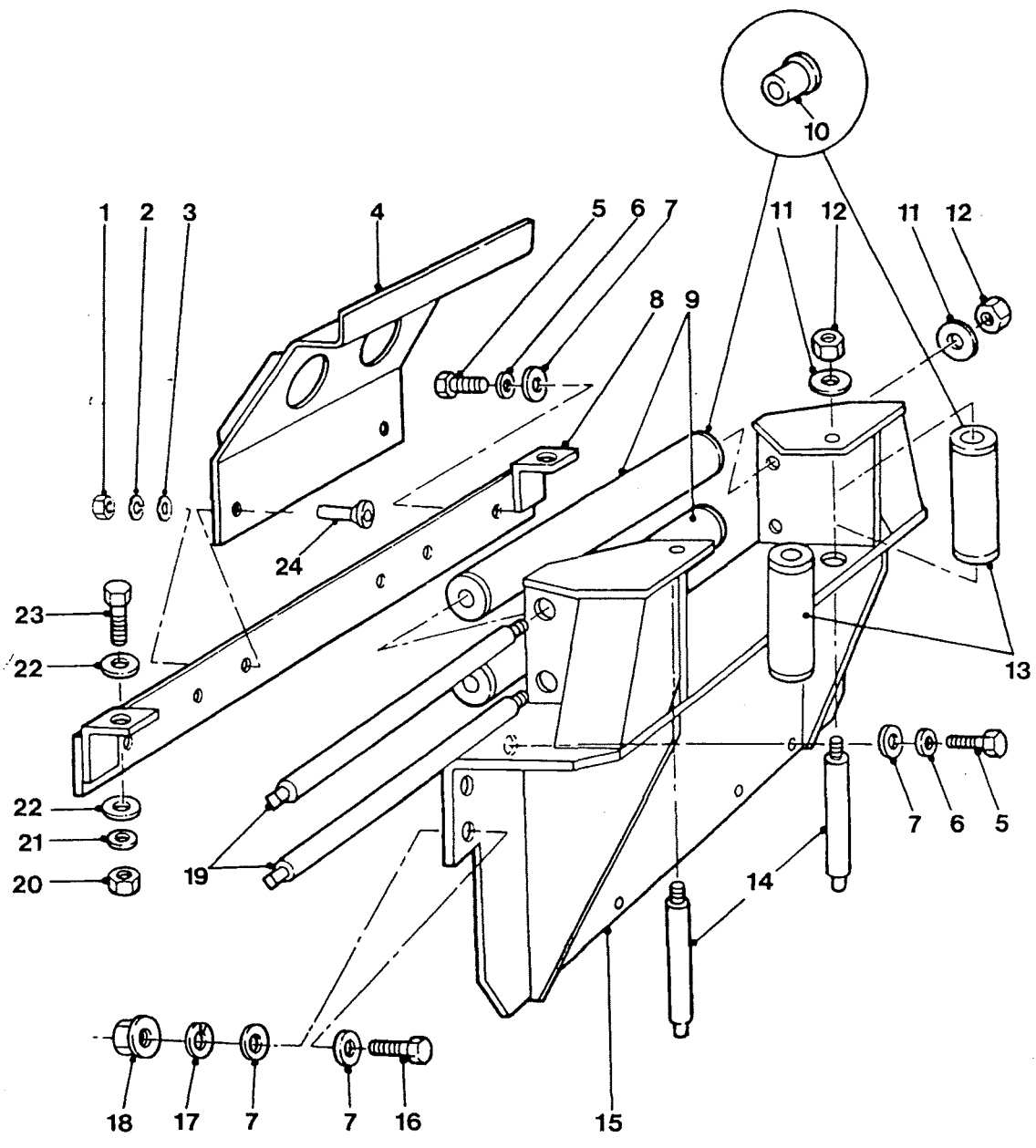


WINCH ASSEMBLY

PERENTIE LAND ROVER PARTS LIST

<u>UA /1/1</u>		<u>WINCH ASSEMBLY</u>		<u>DERIVATIVE CODE</u>								
<u>ITEM</u>	<u>PART NO.</u>	<u>DESCRIPTION</u>	<u>NSN</u>	<u>2188</u>	<u>2189</u>	<u>2190</u>	<u>2191</u>	<u>2192</u>	<u>2194</u>	<u>2195</u>	<u>2207</u>	<u>CP</u>
	BYG2035	HANDLE-EXTENSION-CLUTCH										1
	SK108201	SCREW-EXT. TO CLUTCH LEVER										2
	NY108041L	NUT-NYLOC	5310-99-122-5496									2
<u>CHANGE POINT</u>		<u>ARN INTRODUCTION</u>										

GROUP UAA



WINCH MOUNTINGS AND ROLLERS

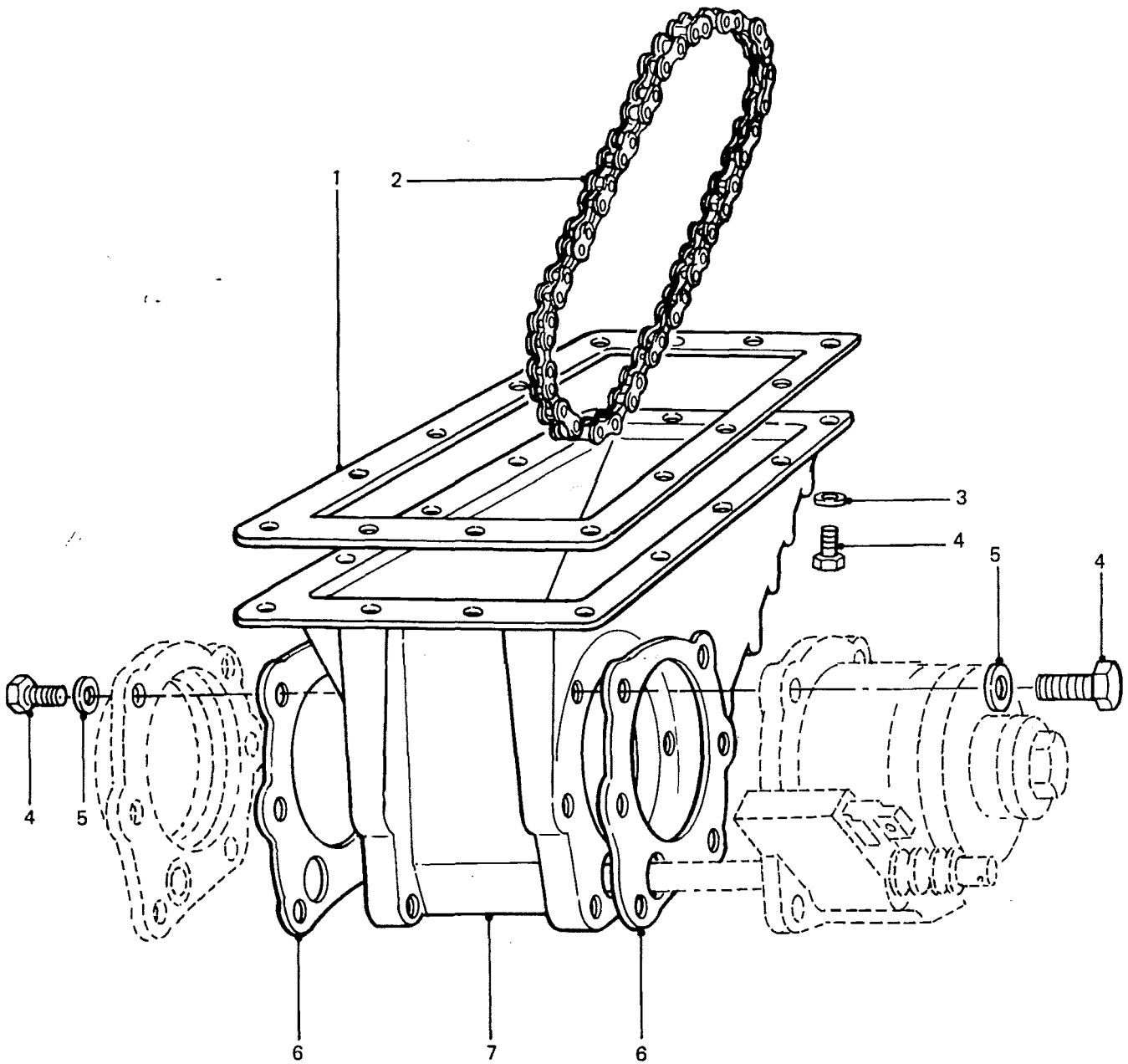
PERENTIE LAND ROVER PARTS LIST

ITEM	UAA/1/1 PART NO.	WINCH MOUNTINGS AND ROLLERS DESCRIPTION	NSN	DERIVATIVE CODE								
				2188	2189	2190	2191	2192	2194	2195	2207	CP
1	FN108041	NUT	5310-99-499-8033		2		2	2	2		2	
2	WL108001L	WASHER-LOCK	5310-99-137-9231		2		2	2	2		2	
3	WA108051L	WASHER-PLAIN	5310-99-122-6475		2		2	2	2		2	
4	HYG3969	GUARD-GRILLE			1		1	1	1		1	
5	HYL8770	SCREW			8		8	8	8		8	
6	HYL8781	WASHER-LOCK	5310-66-128-5109		8		8	8	8		8	
7	WA112081L	WASHER-PLAIN	5310-99-122-6477		16		16	16	16		16	
8	HYG3970	MOUNTING-WINCH			1		1	1	1		1	
9	HYG3138	ROLLER-WINCH	2590-66-128-5064		2		2	2	2		2	
10	MYH3327	BEARING	3120-66-128-5065		8		8	8	8		8	
11	WA116101L	WASHER-PLAIN	5310-99-122-6479		4		4	4	4		4	
12	NY116041L	NUT	5310-99-122-5503		4		4	4	4		4	
13	HYG3139	ROLLER-WINCH	2590-66-128-5066		2		2	2	2		2	
14	HYG2113	SHAFT-ROLLER VERTICAL	2590-66-128-5118		2		2	2	2		2	
15	HYG2107	WINCH MTG-ROLLER FRONT			1		1	1	1		1	
16	SH112351	SCREW	5305-99-122-8675		4		4	4	4		4	
17	WL112001L	WASHER-LOCK	5310-66-128-5111		4		4	4	4		4	
18	FN112041	NUT	5310-66-128-4585		4		4	4	4		4	
19	HYG2112	SHAFT-ROLLER HORIZONTAL	2590-66-128-5067		2		2	2	2		2	
20	FN110041	NUT			2		2	2	2		2	
21	WL110001L	WASHER-LOCK	5310-99-138-9228		2		2	2	2		2	
22	WA110061L	WASHER-PLAIN	5310-99-122-6476		4		4	4	4		4	
23	FS110301	SCREW			2		2	2	2		2	
24	SJ108201	SCREW	5305-66-128-5937		2		2	2	2		2	

CHANGE POINT

ARN INTRODUCTION

GROUP UC



POWER TAKE-OFF HOUSING AND CHAIN

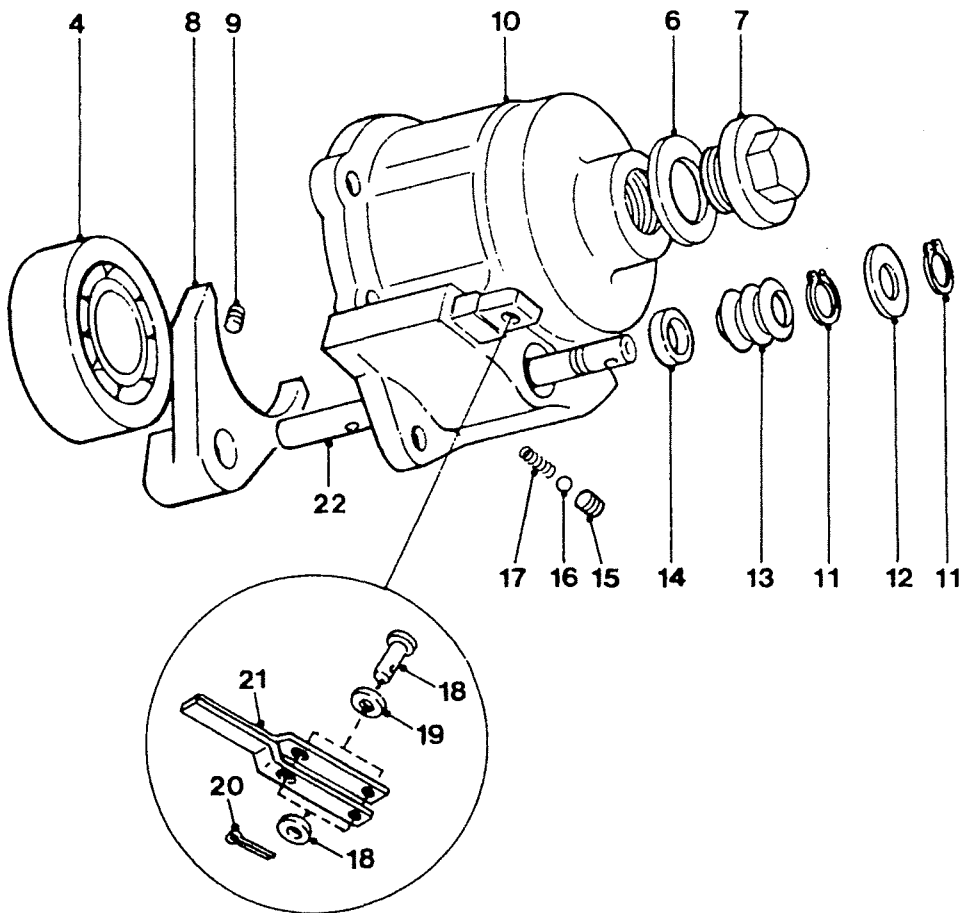
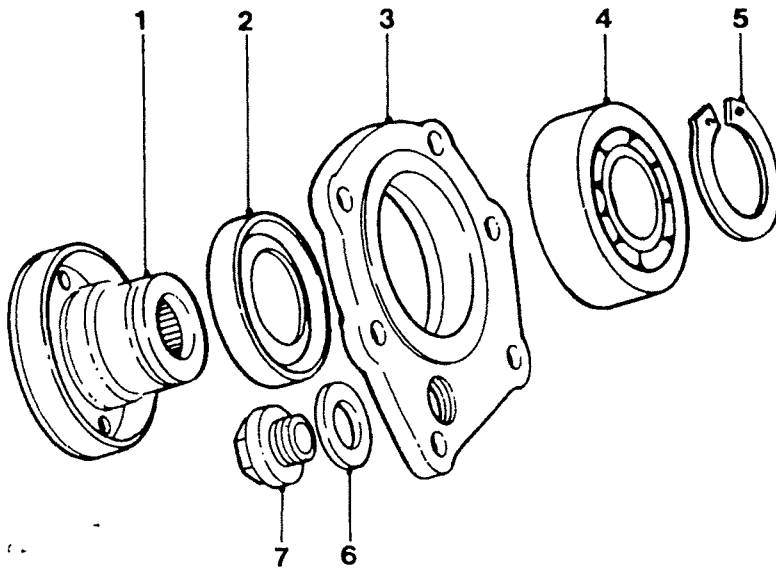
PERENTIE LAND ROVER PARTS LIST

<u>ITEM</u>	<u>PART NO.</u>	<u>DESCRIPTION</u>	<u>NSN</u>	<u>DERIVATIVE CODE</u>							<u>CP</u>	
				<u>2188</u>	<u>2189</u>	<u>2190</u>	<u>2191</u>	<u>2192</u>	<u>2194</u>	<u>2195</u>		<u>2207</u>
1	FRC7104	GASKET	5330-99-822-1724		1		1	1	1		1	
2	AYG3351	CHAIN-PTO DRIVE	3020-66-073-6566		1		1	1	1		1	
3	WM108001L	WASHER-LOCK	5310-99-135-9302		14		14	14	14		14	
4	FS108251	SCREW	5305-99-122-5367		26		26	26	26		26	
5	WL108001L	WASHER-LOCK	5310-99-137-9231		12		12	12	12		12	
6	AYG3353	GASKET-PTO	5330-66-128-5210		2		2	2	2		2	
7	AYG3540	HOUSING-PTO			1		1	1	1		1	

CHANGE POINT

ARN INTRODUCTION

GROUP UCA



POWER TAKE-OFF BEARING AND SELECTOR HOUSING ASSEMBLIES

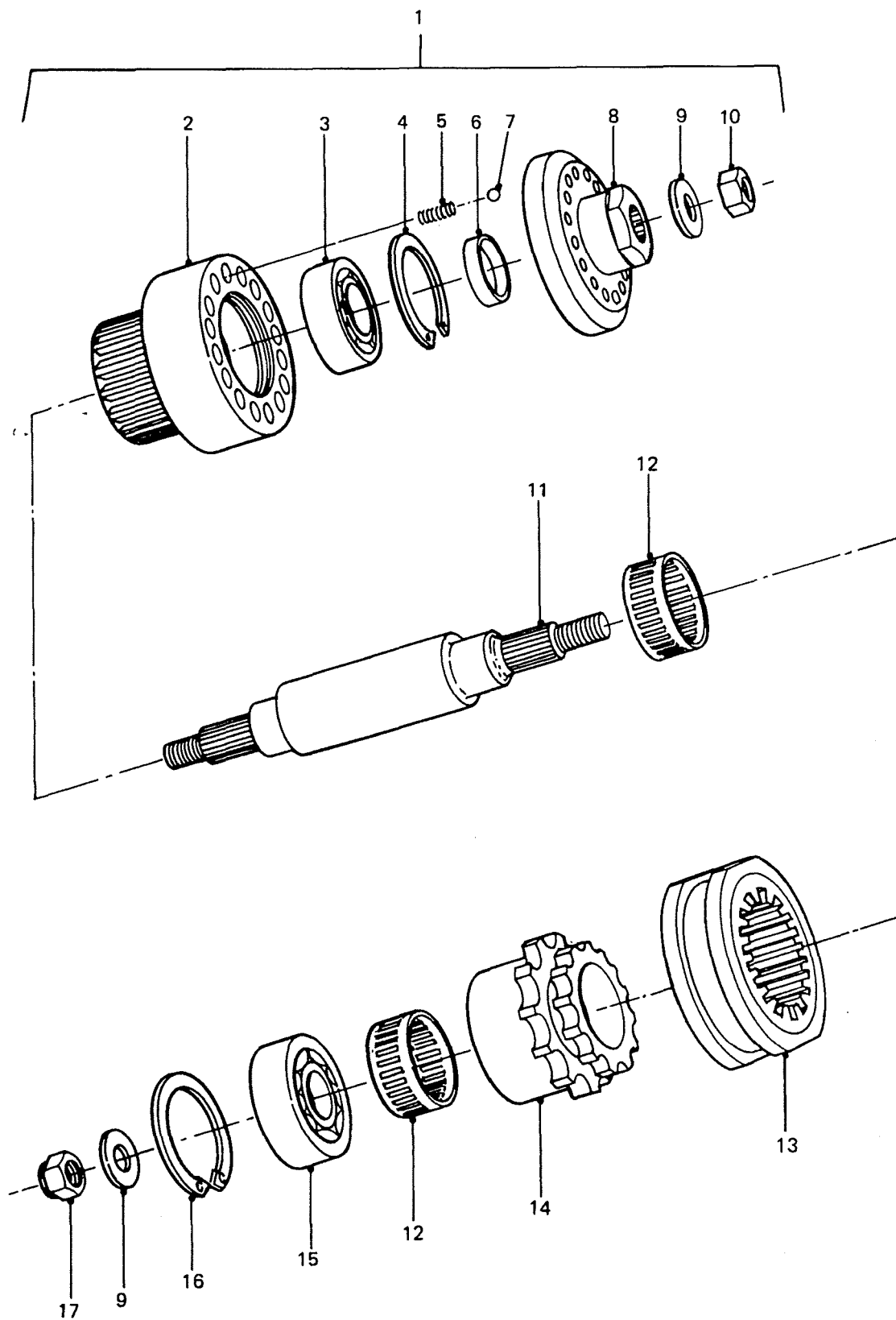
PERENTIE LAND ROVER PARTS LIST

ITEM	UCA/1/1 PART NO.	DESCRIPTION	NSN	DERIVATIVE CODE							CP
				2188	2189	2190	2191	2192	2194	2195	
1	AYG3376	HOUSING-BEARING AND OUTPUT FLANGE			1		1	1	1		1
2	AYG3344	FLANGE-OUTPUT	3010-66-128-5232		1		1	1	1		1
3	MYH3106	SEAL	5330-66-128-5075		1		1	1	1		1
4	AYG3343	HOUSING-BEARING			1		1	1	1		1
5	MYH3102	BEARING	3110-00-554-5302		1		1	1	1		1
6	CR120405	CIRCLIP	5365-66-128-5076		1		1	1	1		1
7	FRC4810	WASHER-SEALING	5330-99-137-3055		2		2	2	2		2
8	90571104	PLUG-DRAIN	5365-99-823-7205		2		2	2	2		2
9	AYG3348	FORK-DOG CLUTCH OPERATING			1		1	1	1		1
10	SK108120	SCREW			1		1	1	1		1
11	AYG3413	HOUSING -TORQUE LIMITER			1		1	1	1		1
12	CR120145	CIRCLIP	5365-66-128-5077		2		2	2	2		2
13	WA114001	WASHER-PLAIN	5310-99-122-6478		1		1	1	1		1
14	DAM3022	DUST SEAL	5340-66-128-5081		1		1	1	1		1
15	AHU1672	SEAL	5330-99-824-0238		1		1	1	1		1
16	MYH3110	PLUG-TAPER	5365-66-128-5082		1		1	1	1		1
17	R571146	BALL	3110-99-718-1217		1		1	1	1		1
18	R593802	SPRING	5360-99-823-8019		1		1	1	1		1
19	PC106481	PIN-CLEVIS-DOG	5315-66-128-5105		2		2	2	2		2
20	WA106041L	WASHER-PLAIN	5310-66-098-4440		4		4	4	4		4
21	PS103121L	SPLIT PIN	5315-66-128-5106		1		1	1	1		1
22	AYG3480	LEVER-DOG CLUTCH OPERATING			1		1	1	1		1
23	AYG3481	SHAFT-PTO CLUTCH ACTUATOR			1		1	1	1		1

CHANGE POINT

ARN INTRODUCTION

GROUP UCB



POWER TAKE-OFF AND TORQUE LIMITER

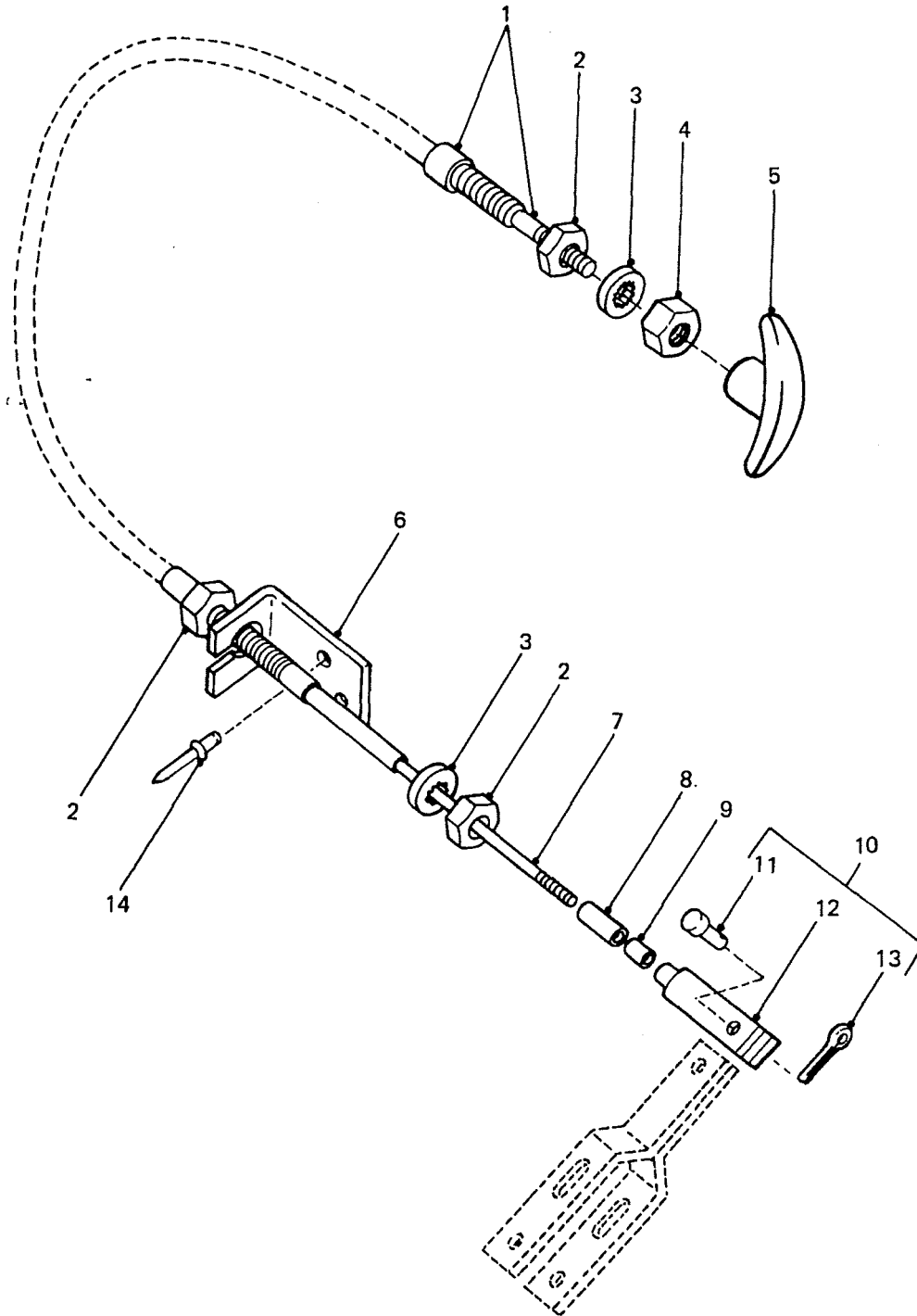
PERENTIE LAND ROVER PARTS LIST

ITEM	PART NO.	DESCRIPTION	NSN	DERIVATIVE CODE									
				2188	2189	2190	2191	2192	2194	2195	2207	CP	
1	AYG3485	LIMITER-TORQUE ASSY			1		1	1		1			
2	AYG3406	HOUSING-BALL			1		1	1		1			1
3	MYH3169	BEARING-BALL	3110-00-144-8518		1		1	1		1			1
4	CR110525	CIRCLIP	5365-66-128-5078		1		1	1		1			1
5	AYG3492	SPRING	5360-66-128-5083		12		12	12		12			12
6	AYG3410	SHIM-5.5MM			1		1	1		1			1
6	AYG3618	SHIM-5.75MM			1		1	1		1			1
6	AYG3411	SHIM-6.00MM			1		1	1		1			1
6	AYG3619	SHIM-6.25MM			1		1	1		1			1
6	AYG3412	SHIM-6.50MM			1		1	1		1			1
7	MYH3170	BALL	3110-66-128-5119		12		12	12		12			12
8	AYG3518	PLATE-DRIVE			1		1	1		1			1
9	WA112081L	WASHER-PLAIN	5310-99-122-6477		2		2	2		2			2
10	NV112041	NUT-LOCK	5310-99-139-9037		1		1	1		1			1
11	AYG3408	SHAFT-PTO			1		1	1		1			1
12	MYH3104	BEARING-NEEDLE ROLLER	3110-66-128-5120		2		2	2		2			2
13	AYG3517	CLUTCH-DOG			1		1	1		1			1
14	AYG3346	SPROCKET			1		1	1		1			1
15	MYH3103	BEARING	3110-66-013-7823		1		1	1		1			1
16	CR110625	CIRCLIP	5365-66-128-5079		1		1	1		1			1
17	NY112041L	NUT-NYLOC	5310-99-768-7269		1		1	1		1			1

CHANGE POINT

ARN INTRODUCTION

GROUP UCC



POWER TAKE-OFF CONTROL CABLE

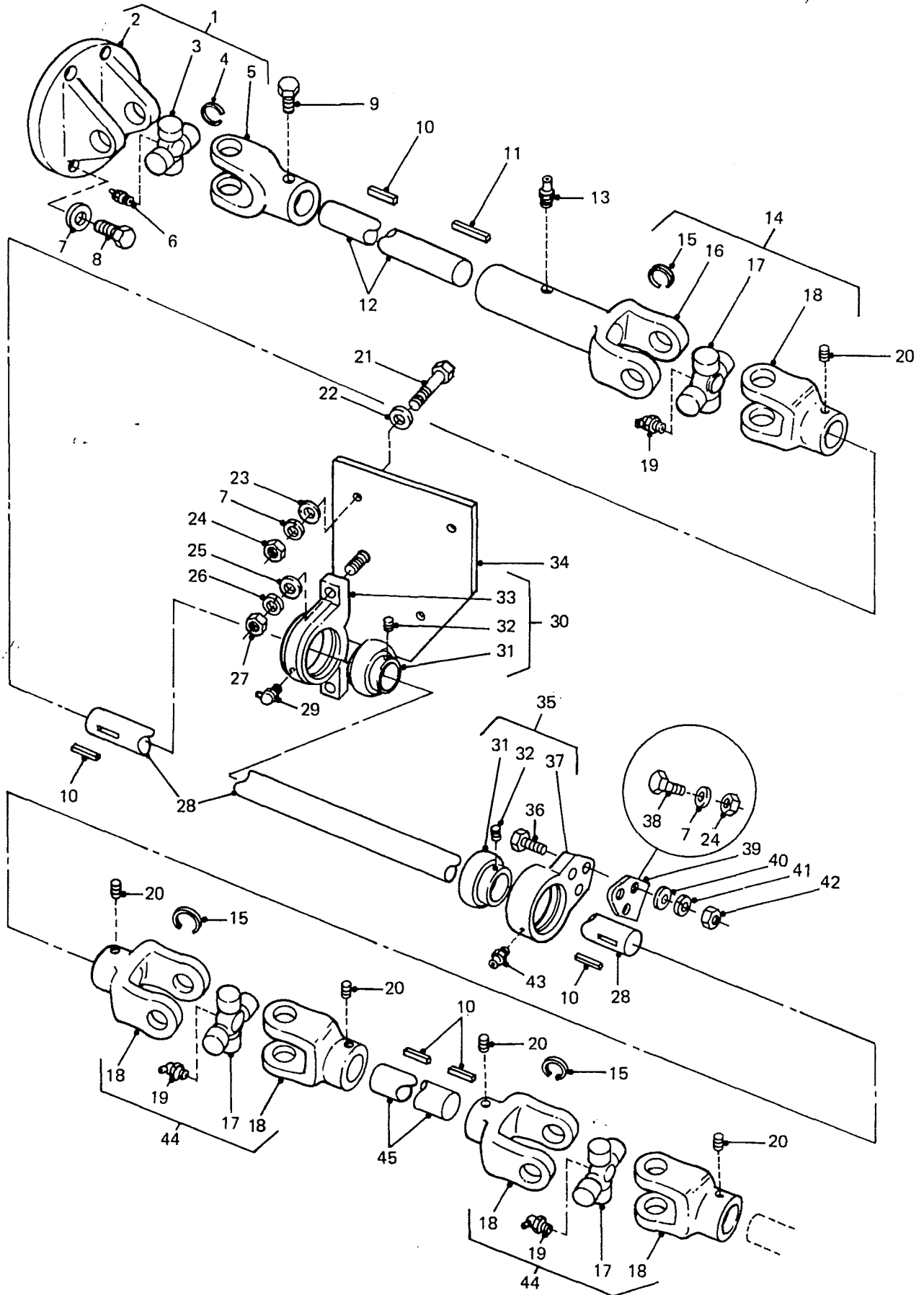
PERENTIE LAND ROVER PARTS LIST

<u>ITEM</u>	<u>PART NO.</u>	<u>DESCRIPTION</u>	<u>NSN</u>	<u>DERIVATIVE CODE</u>								
				<u>2188</u>	<u>2189</u>	<u>2190</u>	<u>2191</u>	<u>2192</u>	<u>2194</u>	<u>2195</u>	<u>2207</u>	<u>CP</u>
1	AYG3367	CABLE-WINCH	2590-66-128-5051		1		1	1	1		1	
2	HYL8773	NUT	5310-66-128-5084		3		3	3	3		3	
3	HYL8774	WASHER	5310-66-128-5110		2		2	2	2		2	
4	HYL8775	NUT	5310-66-128-5085		1		1	1	1		1	
5	HYL8776	KNOB	5355-66-128-5087		1		1	1	1		1	
6	AYG3514	BRACKET-MTG			1		1	1	1		1	
7	NSS											
8	NSS											
9	NSS											
10	MYH3322	YOKE-CABLE			1		1	1	1		1	
11	PC106291	PIN-CLEVIS	5315-66-128-5107		1		1	1	1		1	
12	NSS											
13	PS103121L	SPLIT PIN	5315-66-128-5106		1		1	1	1		1	
14	AFU1350	MONOBOLT	5320-66-128-4656		2		2	2	2		2	

CHANGE POINT

ARN INTRODUCTION

GROUP UCD

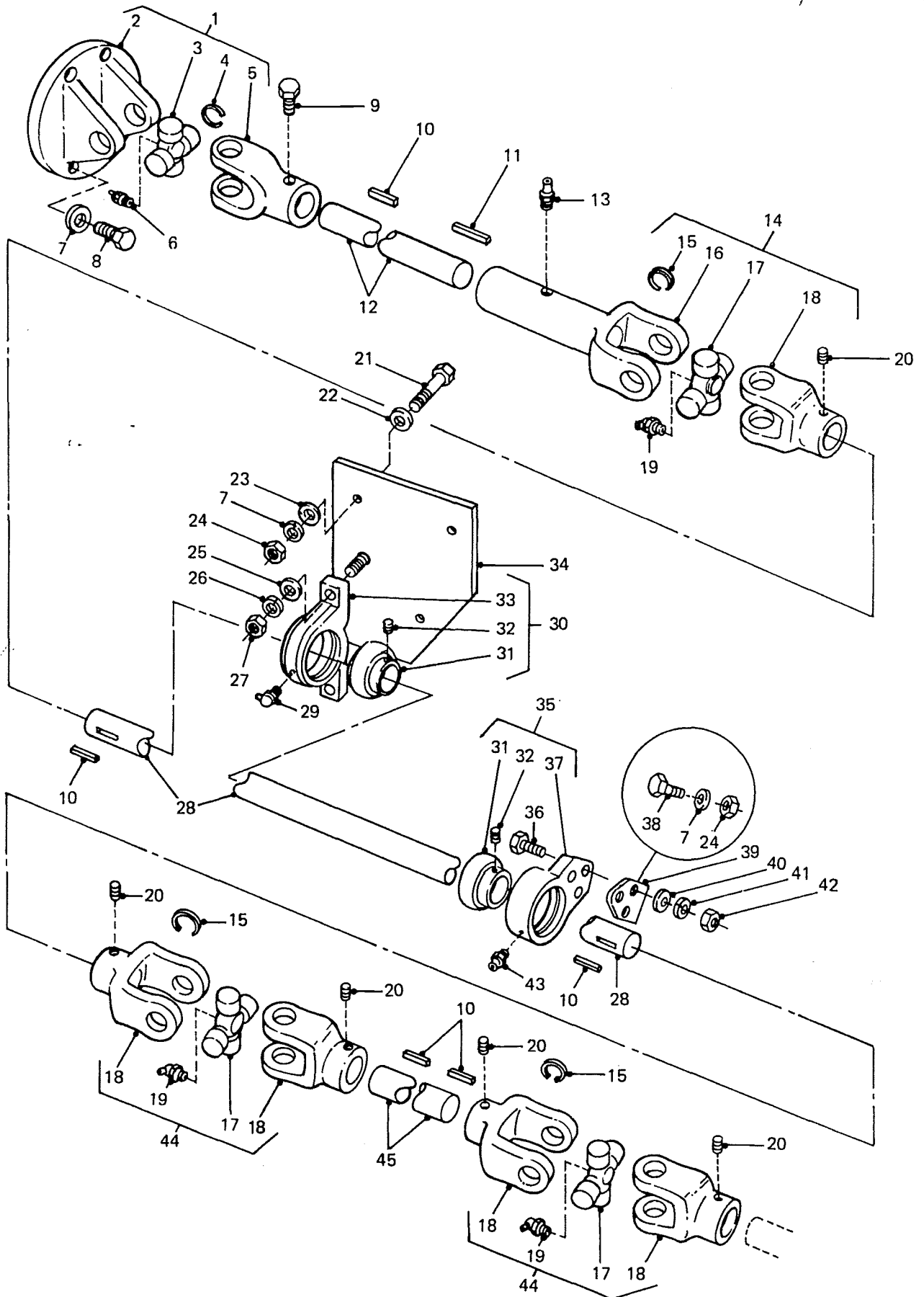


WINCH DRIVE LINE

PERENTIE LAND ROVER PARTS LIST

ITEM	UCD/1/1 PART NO.	WINCH DRIVE LINE DESCRIPTION	NSN	DERIVATIVE CODE							CP	
				2188	2189	2190	2191	2192	2194	2195		2207
1	MYH3211	JOINT-UNIVERSAL			1		1	1	1		1	
2	HYL8761	FLANGE			1		1	1	1		1	
3	HYM469	SPIDER-UNIVERSAL JOINT	3040-66-075-2386		1		1	1	1		1	
4	HYL8765	CIRCLIP	5365-66-128-5080		4		4	4	4		4	
5	HYL8762	YOKE			1		1	1	1		1	
6	NSS		4730-66-128-5071									
7	WL108001L	WASHER-LOCK	5310-99-137-9231		9		9	9	9		9	
8	FS108201	SCREW			4		4	4	4		4	
9	HYL8785	GRUB SCREW	5305-66-128-5114		1		1	1	1		1	
10	HYL8863	KEY-LONG	5315-66-128-5841		5		5	5	5		5	
11	HYL8862	KEY-SHORT	5315-66-128-5842		1		1	1	1		1	
12	AYG8175	SHAFT-SLIDING-REAR -470MM LONG.	3040-66-128-5945		1		1	1	1		1	
13	HYL8788	GREASE NIPPLE	4730-66-128-5069		1		1	1	1		1	
14	AYG8588	JOINT-UNIVERSAL-SLIDING			1		1	1	1		1	
15	NSS											
16	HYL8766	YOKE			1		1	1	1		1	
17	HYL8764	JOINT-UNIVERSAL	2520-66-128-5053		3		3	3	3		3	
18	HYL8763	YOKE			5		5	5	5		5	
19	HYL8767	NIPPLE-GREASE	4730-66-128-5070		3		3	3	3		3	
20	HYL8790	GRUB SCREW	5305-66-128-5115		5		5	5	5		5	
21	BH108201L	BOLT	5306-99-122-5263		3		3	3	3		3	
22	WA108051L	WASHER-PLAIN	5310-99-122-6475		3		3	3	3		3	
23	WC108051L	WASHER-PLAIN			2		2	2	2		2	
24	FN108041	NUT	5310-99-499-8033		5		5	5	5		5	
25	WA112081L	WASHER-PLAIN	5310-99-122-6477		2		2	2	2		2	
26	WL112001L	WASHER-LOCK	5310-66-128-5111		2		2	2	2		2	
27	NH112041L	NUT			2		2	2	2		2	
28	HYG1725	SHAFT-WINCH -INTERMEDIATE-638MM LONG			1		1	1	1		1	

GROUP UCD



WINCH DRIVE LINE

PERENTIE LAND ROVER PARTS LIST

ITEM	UCD/1/1 PART NO.	WINCH DRIVE LINE DESCRIPTION	NSN	DERIVATIVE CODE							CP
				2188	2189	2190	2191	2192	2194	2195	
29	HYL8792	NIPPLE-GREASE	4730-66-128-5072			1	1	1	1		1
30	HYG2494	BEARING-WINCH	3130-66-128-5123			1	1	1	1		1
31	HYL8793	BEARING	3110-66-128-5054			2	2	2	2		2
32	HYL8794	GRUB SCREW	5305-66-128-5116			2	2	2	2		2
33	NSS										
34	HYG1729	PLATE ASSY-MOUNTING				1	1	1	1		1
35	HYG2495	BEARING UNIT	3130-66-128-5124			1	1	1	1		1
36	BH110071L	BOLT	5306-99-122-2772			3	3	3	3		3
37	NSS										
38	FS108251	SCREW	5305-99-122-5367			2	2	2	2		2
39	HYG3206	BRACKET-MOUNTING				1	1	1	1		1
40	WA110061L	WASHER-PLAIN	5310-99-122-6476			3	3	3	3		3
41	WL110001L	WASHER-LOCK	5310-99-138-9228			3	3	3	3		3
42	FN110041	NUT				3	3	3	3		3
43	HYL8791	NIPPLE-GREASE	4730-66-128-5073			1	1	1	1		1
44	AYG8589	JOINT-UNIVERSAL				2	2	2	2		2
45	HYG1727	SHAFT-WINCH-FRONT -190MM LONG				1	1	1	1		1
	AYG8176	KIT-DRIVE LINE (INCLUDES ITEMS 10,11,12,14,28,44,45)				1	1	1	1		1

CHANGE POINT

ARN INTRODUCTION

GROUP UCE

NO ILLUSTRATION

TOOLS

PERENTIE LAND ROVER PARTS LIST

ITEM	UCE/1/1 PART NO.	TOOLS DESCRIPTION	NSN	DERIVATIVE CODE								CP
				2188	2189	2190	2191	2192	2194	2195	2207	
1	HYG513	JACK-DUAL LIFT-2.5 TON, WITH HANDLE		1	1	1	1	1	1	1	1	1
2	HYG2925	RETAINER-JACK-LH TOOLBOX		1	1	1	1	1	1	1	1	1
3	R371144	RING-RETAINING-JACK		1	1	1	1	1	1	1	1	1
4	AYG8672	BASE-JACK-PLYWOOD										1
4	AYG8151	JACK-HIGH LIFT										1
5	AYG8205	SAFETY PIN-HIGH LIFT JACK										1
6	R568860	CABLE TIE-HIGH LIFT JACK TO BRUSHGUARD										2
7	AYG8114	WHEELBRACE		1	1	1	1	1	1	1	1	1
8	AYG8747	GAUGE-TYRE PRESSURE	4910-66-054-4679	1	1	1	1	1	1	1	1	1
9	R523638	PUMP-TYRE		1	1	1	1	1	1	1	1	1
10	AYG8122	TOOL ROLL		1	1	1	1	1	1	1	1	1
11	AYG8125	SCREW DRIVER-FLAT TIP		1	1	1	1	1	1	1	1	1
12	AYG8126	SCREW DRIVER -CROSS TIP NO.3		1	1	1	1	1	1	1	1	1
13	AYG8127	PICK-HEAD-2.2KG		1	1	1	1	1	1	1	1	1
14	AYG8128	HANDLE-PICK		1	1	1	1	1	1	1	1	1
15	AYG8121	AXE-SINGLE BIT-2.0KG		1	1	1	1	1	1	1	1	1
16	AYG8124	SHOVEL-ROUND POINTED		1	1	1	1	1	1	1	1	1
17	AYG8131	SPANNER-250MM -ADJUSTABLE		1	1	1	1	1	1	1	1	1
18	AYG8132	PLIERS-SIDE CUTTING		1	1	1	1	1	1	1	1	1
19	AYG8133	SPANNER-OPEN END-5/8 & 11/16 AF		1	1	1	1	1	1	1	1	1
20	AYG8134	SPANNER-OPEN END-1/2 & 9/16 AF		1	1	1	1	1	1	1	1	1
21	AYG8135	SPANNER-RING-5/8 & 11/16 AF		1	1	1	1	1	1	1	1	1

GROUP UCE

NO ILLUSTRATION

TOOLS

PERENTIE LAND ROVER PARTS LIST

<u>ITEM</u>	<u>UCE/1/1</u> <u>PART NO.</u>	<u>TOOLS</u> <u>DESCRIPTION</u>	<u>NSN</u>	<u>DERIVATIVE CODE</u>							<u>CP</u>	
				<u>2188</u>	<u>2189</u>	<u>2190</u>	<u>2191</u>	<u>2192</u>	<u>2194</u>	<u>2195</u>		<u>2207</u>
22	AYG8136	SPANNER-RING-1/2 & 9/16 AF		1	1	1	1	1	1	1	1	
23	ANR3052	WHEEL CHOCK		2	2	2	2	2	2	2	2	2
24	HYG3022	KEY-BUDGET LOCK	6115-66-038-2801	1	1	1	1	1	1	1	1	2
25	BYG2101	HOSE-TYRE PUMP COMPRESSOR	4720-66-128-6401									1

CHANGE POINT

ARN INTRODUCTION

